

iZ21 C

Spare parts
Ersatzteile
Pièces détachées
Reserve onderdelen
Repuestos
Reservdelar

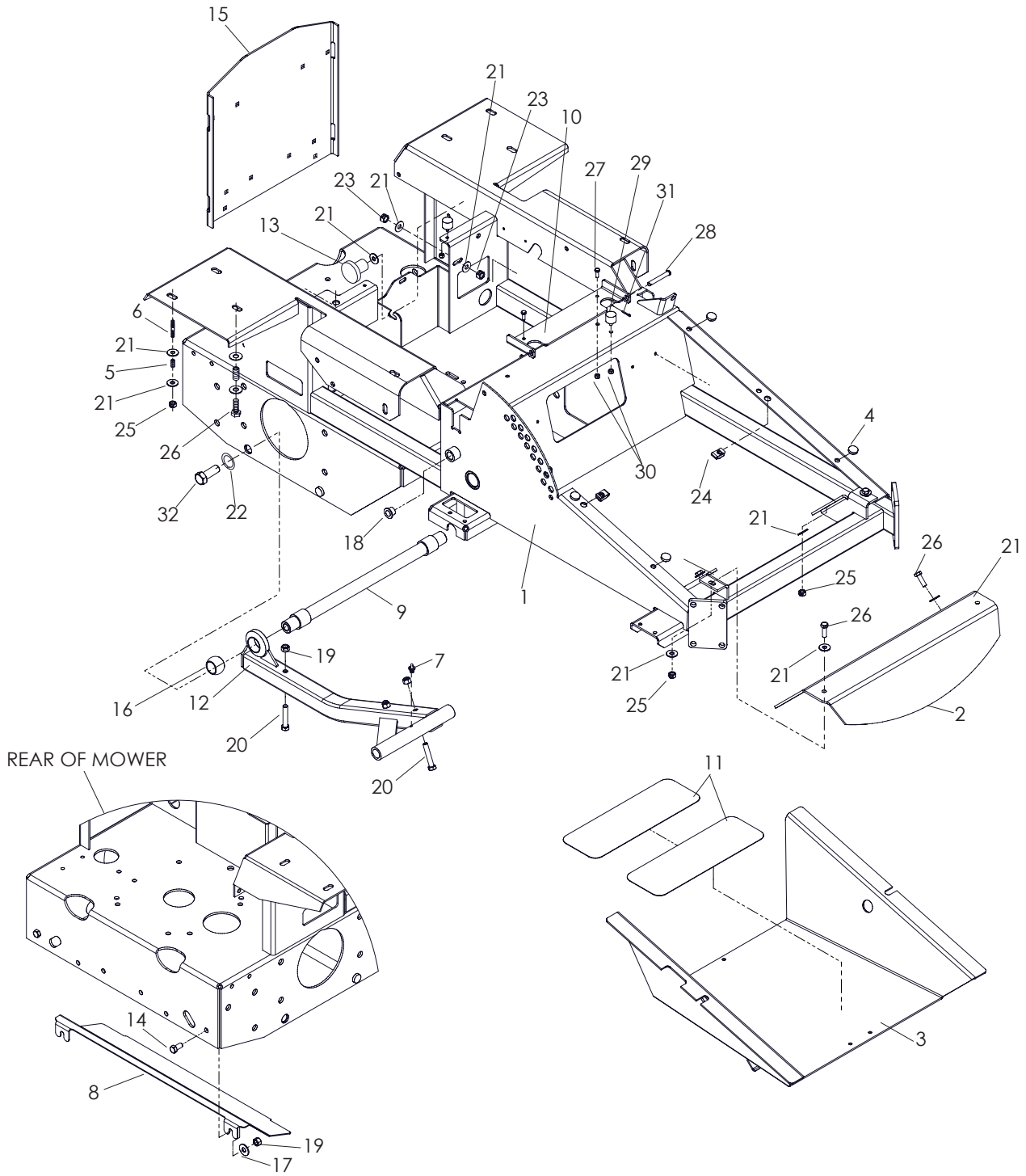
CE

CONTENTS

CHASSIS/FRAME	4	WHEELS AND TIRES	18
FUEL SYSTEM.....	6	MOWER LIFT/DECK LIFT.....	20
ENGINE	8	48" CUTTING DECK	22
IGNITION SYSTEM.....	10	TRD48 / 968999342	22
STEERING	12	CD48 / 968999347.....	24
PARKING BRAKE	14	SEAT	26
HYDRAULIC PUMP-MOTOR.....	16	DECALS	28

NOTE: ALL FASTENERS ARE GRADE 5 UNLESS OTHERWISE SPECIFIED.

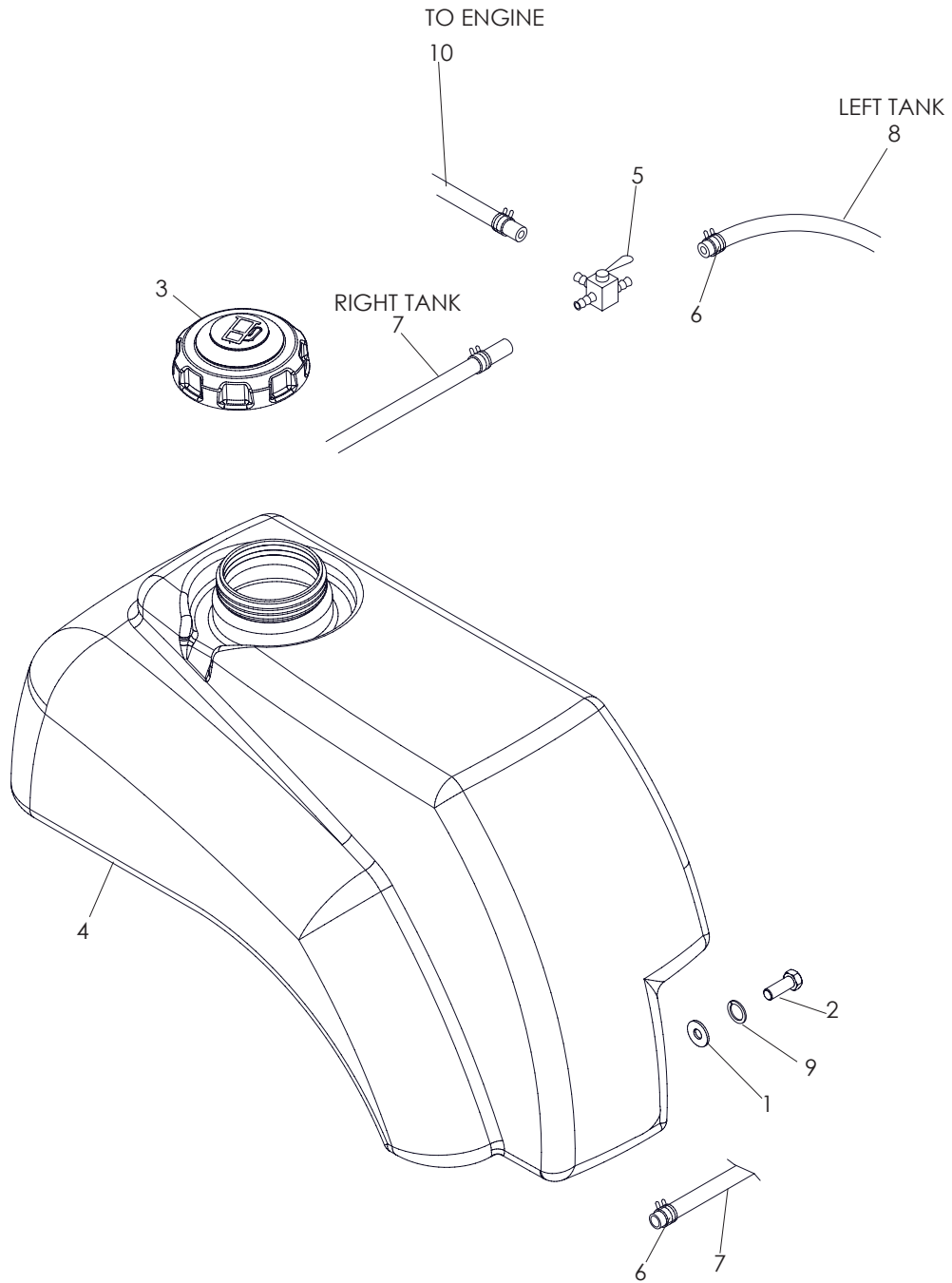
CHASSIS/FRAME



CHASSIS/FRAME

ITEM	PART NO.	QTY.	DESCRIPTION	ITEM	PART NO.	QTY.	DESCRIPTION
1..	539 1101981FRAME W/DECALS	17..	539 9905172 WASHER $\frac{3}{8}$
2..	539 1069411FOOT REST	18..	539 1025192 BUSHING
3..	539 1115731FOOT PLATE W/DECAL	19..	539 976979	..11NUT, $\frac{3}{8}$ -16, NYLOC
4..	539 1025875BUMPER	20..	539 9905886HCS $\frac{3}{8}$ -16 x 2
5..	539 1028458SPRING	21..	539 9906924 WASHER $\frac{5}{16}$
6..	539 1025026STUD	22..	539 9903332 LOCKWASHER $\frac{5}{8}$
7..	539 9769982ZERK, STRAIGHT $\frac{1}{4}$ -28	23..	539 9901842 NUT $\frac{5}{16}$ -18 HEX CTRLK
8..	539 1129531REAR GUARD	24..	539 1047632 U CLIP
9..	539 1041971STRUT MOUNT	25..	539 990717	..10 NUT $\frac{5}{16}$ -18, NYLOC
10..	539 1052241SEAT MOUNT W/DECAL	26..	539 9902096HCS $\frac{5}{16}$ -18 x 1
11..	539 9777783ANTI-SKID PAD	27..	539 9905802HCS $\frac{1}{4}$ -20 x $\frac{3}{4}$
12..	539 1126471STRUT, RIGHT	28..	539 1108192 CLEVIS PIN
	539 1126461STRUT, LEFT	29..	539 1050394STUD MOUNTS
13..	539 1051691KNOB	30..	539 9769782 NUT, $\frac{1}{4}$ -20, NYLOC
14..	539 9901342HCS $\frac{3}{8}$ -16 x $\frac{3}{4}$	31..	539 9903652 PIN, COTTER, $\frac{1}{8}$ x $\frac{3}{4}$
15..	539 1069591GUARD, ENGINE	32..	539 1041992HCS $\frac{5}{8}$ -11 x 2
16..	539 1043972BALL END				

FUEL SYSTEM

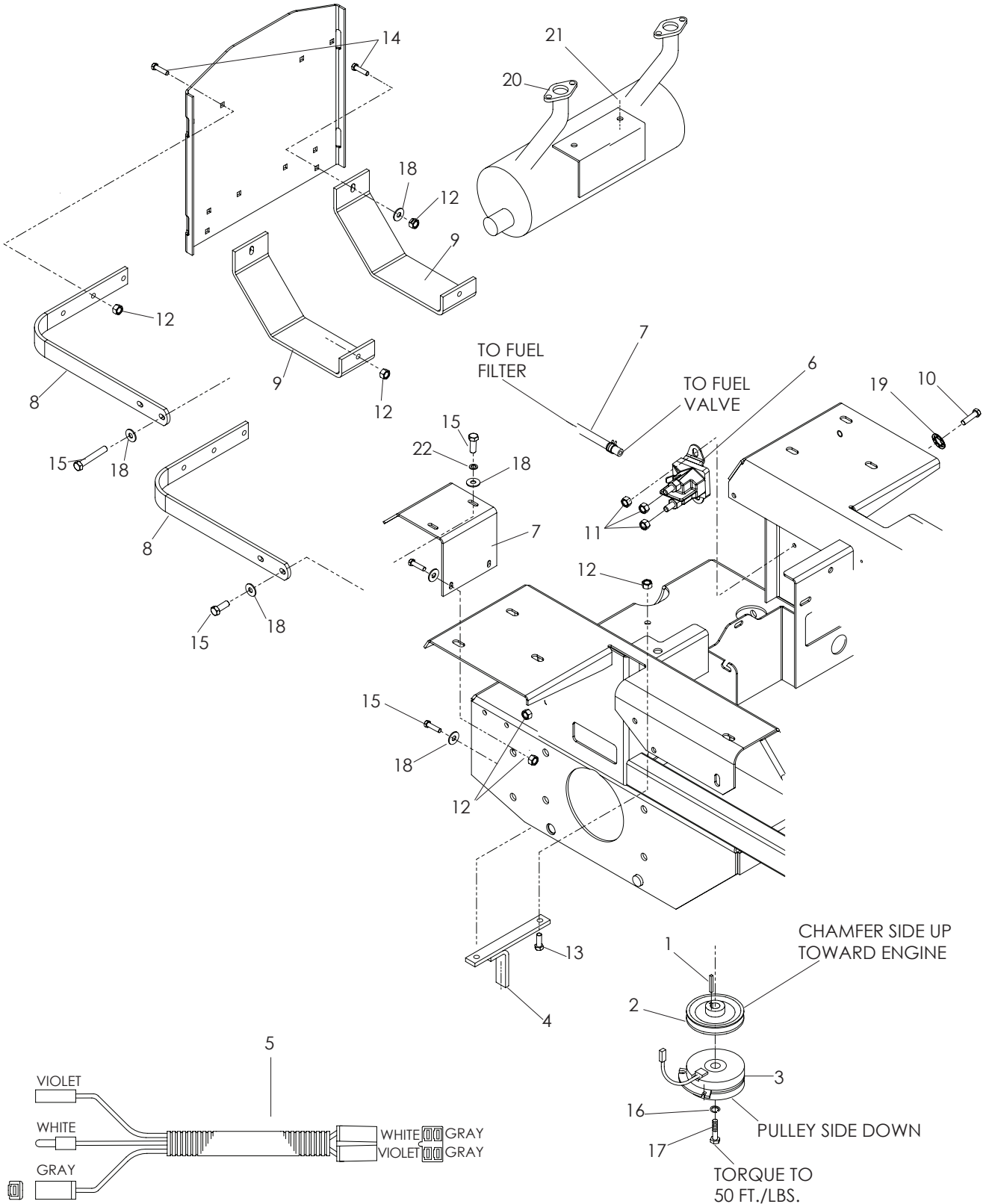


FUEL SYSTEM

ITEM	PART NO.	QTY.	DESCRIPTION	ITEM	PART NO.	QTY.	DESCRIPTION
1..	539 990692..	21	WASHER ⁵ / ₁₆	6..	539 912222....	6	HOSE CLAMP
2..	539 976934....	4	HCS ⁵ / ₁₆ -18 x ³ / ₄	7..	539 105527....	1	FUEL HOSE, 24"
3..	539 106188....	2	FUEL CAP	8..	539 117050....	1	FUEL HOSE, 28"
4..	539 104410....	1	FUEL TANK, RIGHT	9..	539 990187....	2	LOCKWASHER ⁵ / ₁₆
	539 104409....	1	FUEL TANK, LEFT	10..	539 105281....	1	FUEL HOSE, 29½"
5..	539 102679....	1	FUEL VALVE				

ENGINE

KAWASAKI 21 HP

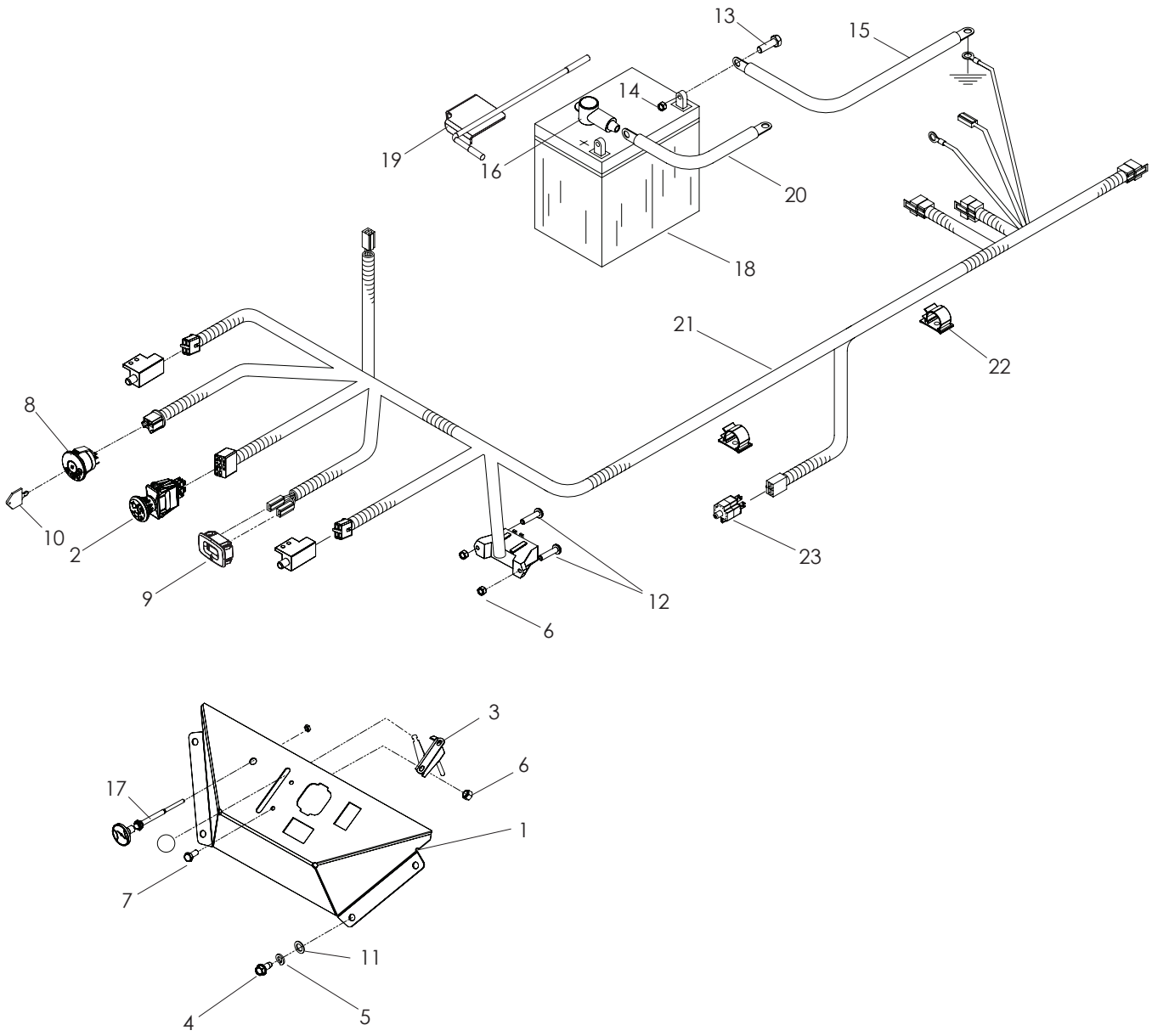


ENGINE

ITEM	PART NO.	QTY.	DESCRIPTION
1..	539 912757....	1KEY ¼ SQ x 1¼
2..	539 106992....	1PULLEY
3..	539 106880....	1CLUTCH
4..	539 106819....	1CLUTCH TIE DOWN
5..	539 104415....	1KAWASAKI PIGTAIL
6..	539 101714....	1SOLENOID
7..	539 111093	1MUFFLER BRACKET
8..	539 106961....	4STRAP
9..	539 106957....	2SKID PLATE
10..	539 990072....	2HCS ¼-20 x 5/8
11..	539 976978....	5NUT, ¼-20, NYLOC
12..	539 990717..	22NUT 5/16-18, NYLOC
13..	539 990669....	4HCS 5/16-18 x 1 ¾
14..	539 107271..	10RHSSNB 5/16-18 x 1

ITEM	PART NO.	QTY.	DESCRIPTION
15..	539 990209..	12HCS 5/16-18 x 1
16..	539 990247....	1LOCKWASHER 7/16
17..	539 991120....	1HCS 7/16-20 x 2½
18..	539 990692..	14WASHER 5/16
19..	539 990053....	2LOCKWASHER ¼
20..	539 108199....	2GASKET, EXHAUST
21..	539 105897....	1MUFFLER, KAWASAKI
22..	539 990187....	2LOCKWASHER 5/16
NOT SHOWN			
	539 102757....	1CABLE, POSITIVE
	539 976856....	1TIE, PLASTIC

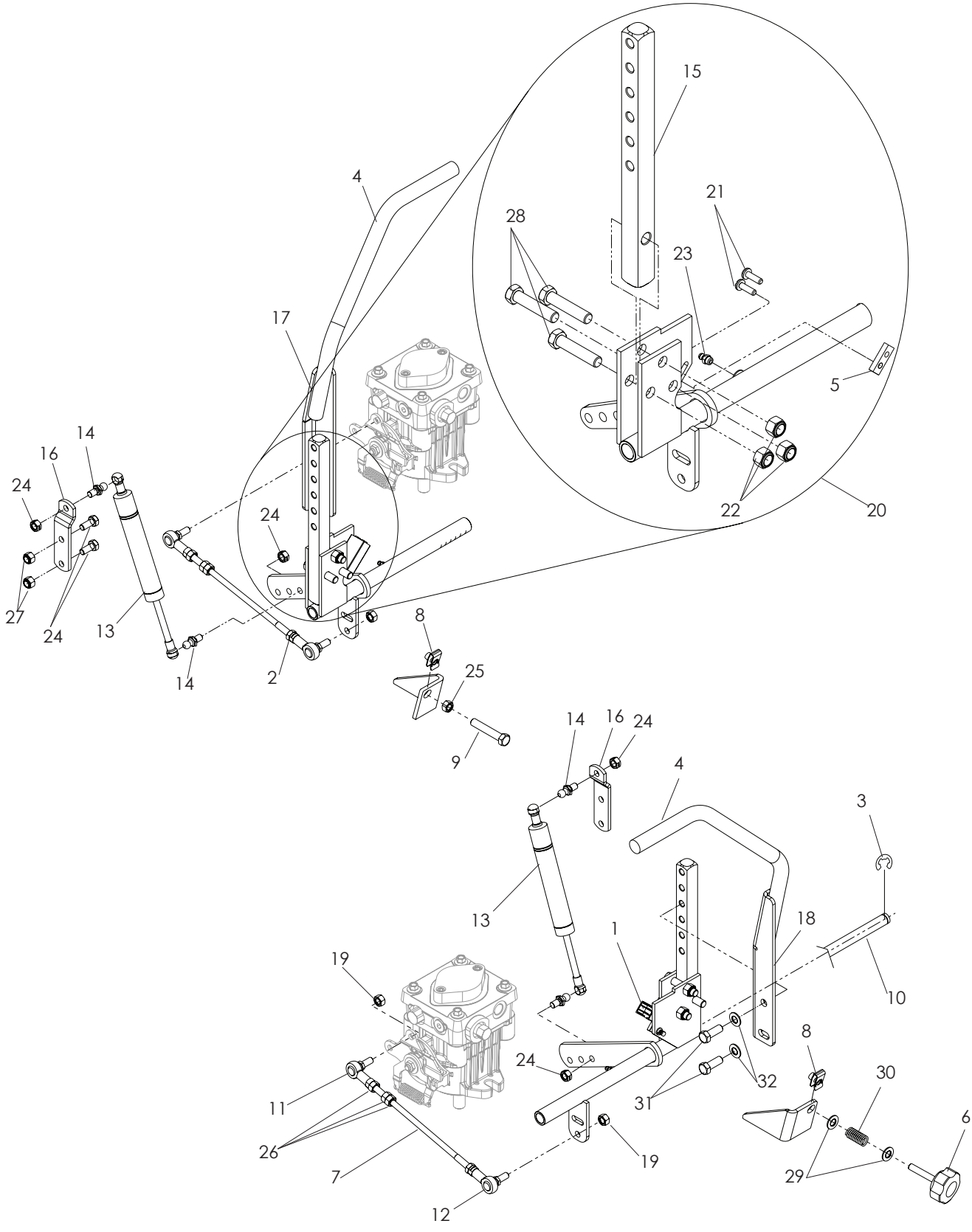
IGNITION SYSTEM



IGNITION SYSTEM

ITEM	PART NO.	QTY.	DESCRIPTION	ITEM	PART NO.	QTY.	DESCRIPTION
1..	539 1109531 CONSOLE	13..	539 9769342 HCS $\frac{5}{16}$ -18 x $\frac{3}{4}$
2..	539 1316271 SWITCH, PTO 10 AMP	14..	539 9907172 NUT $\frac{5}{16}$ -18 HEX NYLOC
3..	539 1032751 THROTTLE CABLE	15..	539 1027581 CABLE, NEGATIVE
4..	539 9903624 SCREW $\frac{1}{4}$ -20 x $\frac{5}{8}$	16..	539 1027592 INSULATOR-BATTERY
5..	539 9900524 WASHER, $\frac{1}{4}$ SPLIT LOCK	17..	539 1302081 CHOKE CNTRL
6..	539 9769772 NUT #10-24 HEX NYLOC	18..	539 1024361 BATTERY, DRY
7..	539 9904112 HCS #10-24 x $\frac{1}{2}$	19..	539 1068991 HOLD DOWN, BATTERY
8..	539 1075411 IGNITION SWITCH	20..	539 1033061 CABLE, POSITIVE
9..	539 1100741 HOUR METER	21..	539 1137911 HARNESS
10..	539 1075441 KEY, IGNITION	22..	539 1108152 WIRE CLIP PUSH-MOUNT
11..	539 9905984 WASHER, $\frac{1}{4}$ FLAT	23..	539 1137921 SWITCH, BRAKE
12..	539 1026172 SCREW #10-24 x $\frac{7}{8}$ SLT HD				

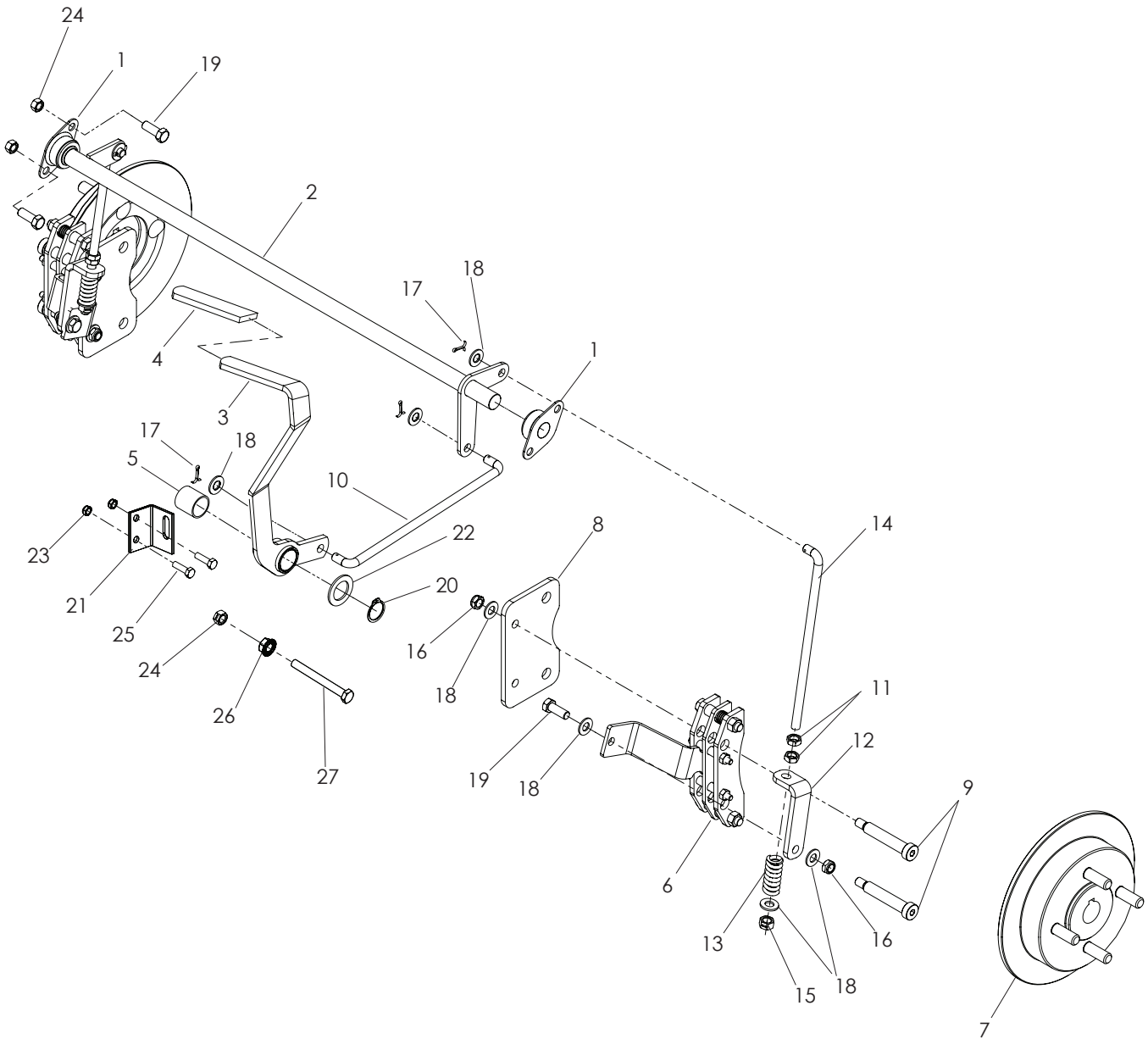
STEERING



STEERING

ITEM	PART NO.	QTY.	DESCRIPTION	ITEM	PART NO.	QTY.	DESCRIPTION
1..	539 101080....3	SWITCH, BRAKE	18..	539 1108271	DRIVE LEVER, LT
2..	539 991073....2	NUT ⁵ / ₁₆ -24 HEX HD	19..	539 110943....4	NUT ⁵ / ₁₆ -24 NYLOC
3..	539 101949....2	E-RING ½	20..	539 130703....1	DRIVE CONTROL ASSM, RT
4..	539 130894....2	GRIP		539 130704....1	DRIVE CONTROL ASSM, LT
5..	539 102678....2	TAPPED PLATE	21..	539 976952....4	SCREW 10-24 x ⁵ / ₈
6..	539 103003....1	TRACKING KNOB	22..	539 976979....6	NUT ³ / ₈ -16, HEX NYLOC
7..	539 103264....2	LINKAGE	23..	539 976998....2	ZERK, STRAIGHT ¼-28
8..	539 104763....5	U CLIP	24..	539 990184....6	NUT ⁵ / ₁₆ -18 HEX CTRLK
9..	539 108394....1	HCS ⁵ / ₁₆ -18 x 1¾ TAPBOLT	25..	539 990196....1	NUT ⁵ / ₁₆ -18 HEX
10..	539 108659....1	CONTROL SHAFT	26..	539 990223....6	NUT ⁵ / ₁₆ -24 HEX LH
11..	539 110603....2	SPHERICAL ROD END, RT	27..	539 990717....4	NUT ⁵ / ₁₆ -18 HEX NYLOC
12..	539 110604....2	SPHERICAL ROD END, LT	28..	539 990730....6	HCS ³ / ₈ -16 x 1¾
13..	539 131932....2	DAMPENER	29..	539 990692....2	WASHER ⁵ / ₁₆ STD FLT
14..	539 1106074	BALL STUD	30..	539 1110391	SPRING
15..	539 110638....2	ARM, CONTROL SHAFT	31..	539 990563....2	HCS ³ / ₈ -16 x 1
16..	539 1108112	DAMPENER ARM	32..	539 102593....4	WASHER, ³ / ₈ SPRING
17..	539 110826....1	DRIVE LEVER, RT	33..	539 976934....4	HCS ⁵ / ₁₆ -18 x ¾

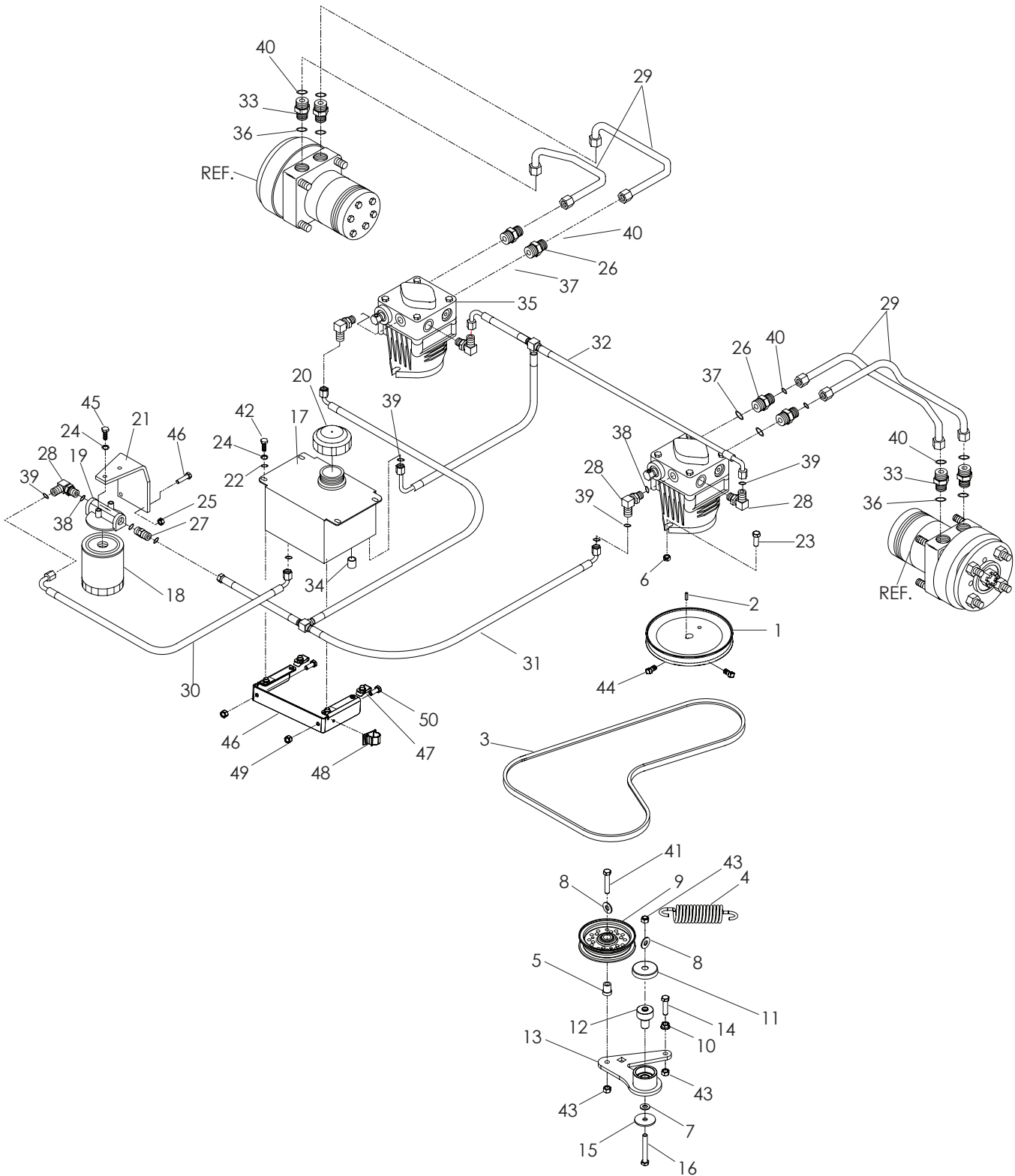
PARKING BRAKE



PARKING BRAKE

ITEM	PART NO.	QTY.	DESCRIPTION	ITEM	PART NO.	QTY.	DESCRIPTION
1..	539 102797....	2	BUSHING, FLANGED	15..	539 990289....	1	NUT, ³ / ₈ -24, CENTERLOCK
2..	539 106969....	1	BRAKE CROSS SHAFT	16..	539 200282....	2	NUT, ³ / ₈ -16, THIN NYLOC
3..	539 108616....	1	BRAKE LEVER	17..	539 990037....	3	PIN COTTER, ³ / ₃₂ x ³ / ₄
4..	539 105036....	1	GRIP PARK BRAKE	18..	539 990122....	7	WASHER, ³ / ₈ , SAE
5..	539 108619....	1	BUSHING	19..	539 990563....	6	HCS ³ / ₈ -16 x 1
6..	539 133047....	2	CALIPER	20..	539 101151....	1	RING, RETAINING, EXT ⁷ / ₈
7..	539 113945....	2	HUB	21..	539 114803....	1	BRACKET
8..	539 113948....	2	PLATE, BRAKE	22..	539 923787....	1	BUSHING
9..	539 113951....	4	SCREW, ³ / ₈ -16 x 2 ¹ / ₂ , SKT	23..	539 976978....	2	NUT ¹ / ₄ -20 HEX NYLOC
10..	539 113954....	1	LINKAGE, BRAKE	24..	539 976979....	5	NUT ³ / ₈ -16 HEX NYLOC
11..	539 108732....	2	NUT, ³ / ₈ -24, JAM	25..	539 990580....	2	HCS ¹ / ₄ -20 x ³ / ₄
12..	539 113950....	1	L BRACKET	26..	539 990613....	1	NUT, ³ / ₈ -16, WHIZLK
13..	539 113952....	1	SPRING	27..	539 990637....	1	HCS ³ / ₈ -16 x 2 ¹ / ₂
14..	539 113955....	1	LINKAGE, REAR BRAKE				

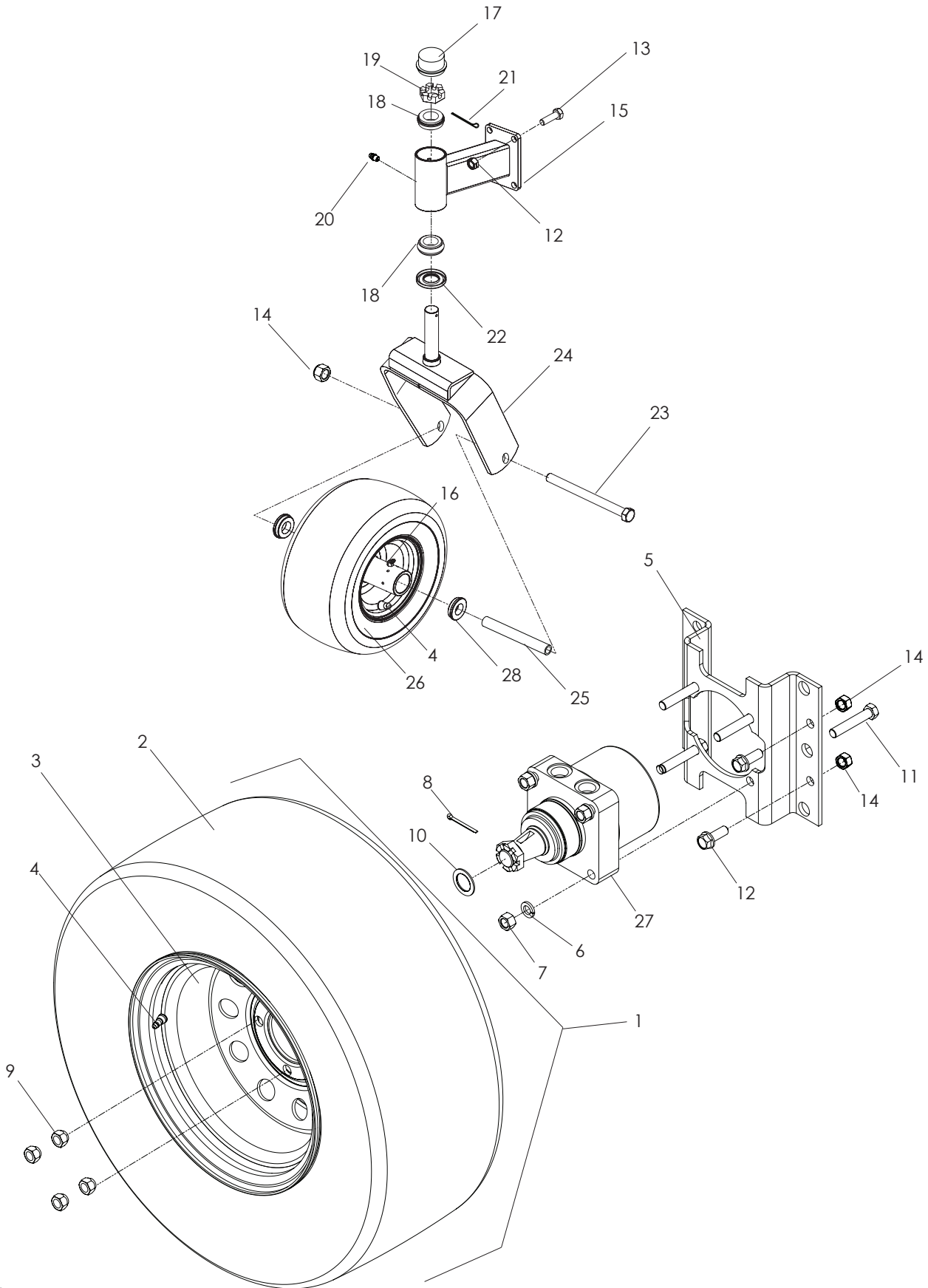
HYDRAULIC PUMP-MOTOR



HYDRAULIC PUMP-MOTOR

ITEM	PART NO.	QTY.	DESCRIPTION	ITEM	PART NO.	QTY.	DESCRIPTION
1..	539 101176....	2	PULLEY	26..	539 101237....	4	F6400-8-8-0
2..	539 101177....	2	KEY 5MM SQ x 25MM	27..	539 113782....	1	HYDRAULIC FITTING
3..	539 106887....	1	BELT, PUMP	28..	539 101238....	5	F6801-6-6-0
4..	539 110655....	1	SPRING	29..	539 106896....	4	HYDRAULIC LINE
5..	539 976695....	1	IDLER FLANGE BUSHING	30..	539 104722....	1	HOSE, 7"
6..	539 990546....	4	NUT 3/8-16 CENTERLOCK	31..	539 111814....	1	T ASSEMBLY
7..	539 990122....	1	WASHER 3/8 SAE FLT	32..	539 110837....	1	T ASSEMBLY
8..	539 990517....	2	WASHER 3/8	33..	539 102396....	4	STRAIGHT FITTING
9..	539 976688....	1	PULLEY, IDLER	34..	539 105168....	1	CAP
10..	539 990613....	1	NUT 3/8-16, HEX WHZLK	35..	539 132144....	2	PUMP W/RTN'S, 10CC
11..	539 114662....	1	DUST SHIELD	36..	539 103115....	4	O-RING
12..	539 130205....	1	PIVOT BEARING	37..	539 103116....	4	O-RING
13..	539 130392....	1	IDLER ARM	38..	539 103117....	6	O-RING
14..	539 990655....	1	HCS 3/8-16 x 1 1/2	39..	539 103118....	8	O-RING
15..	539 111897....	1	WASHER 3/8	40..	539 103119....	8	O-RING
16..	539 106492....	1	HCS 3/8-16 x 2 3/4	41..	539 990588....	1	HCS 3/8-16 x 2
17..	539 105024....	1	OIL TANK	42..	539 990580....	4	HCS 1/4-20 x 3/4
18..	539 102606....	1	FILTER	43..	539 976979....	3	NUT 3/8-16, NYLOC
19..	539 101165....	1	FILTER HEAD	44..	539 102717....	4	SCREW, 5/16-18 x 5/8, SET
20..	539 101202....	1	HYDRAULIC CAP	45..	539 990072....	2	HCS 1/4-20 x 5/8
21..	539 106933....	1	FILTER BRACKET	46..	539 110814....	1	TANK MOUNT
22..	539 990598....	8	WASHER 1/4	47..	539 110813....	1	U TYPE RETAINER
23..	539 990582....	4	HFCS, 3/8-16 x 1	48..	539 110815....	1	WIRE CLIP, PUSH MOUNT
24..	539 990052....	2	LOCKWASHER 1/4	49..	539 990717....	4	NUT 5/16-18, NYLOC
25..	539 976978....	2	NUT 1/4-20, NYLOC	50..	539 976934....	4	HCS 5/16-18 x 3/4

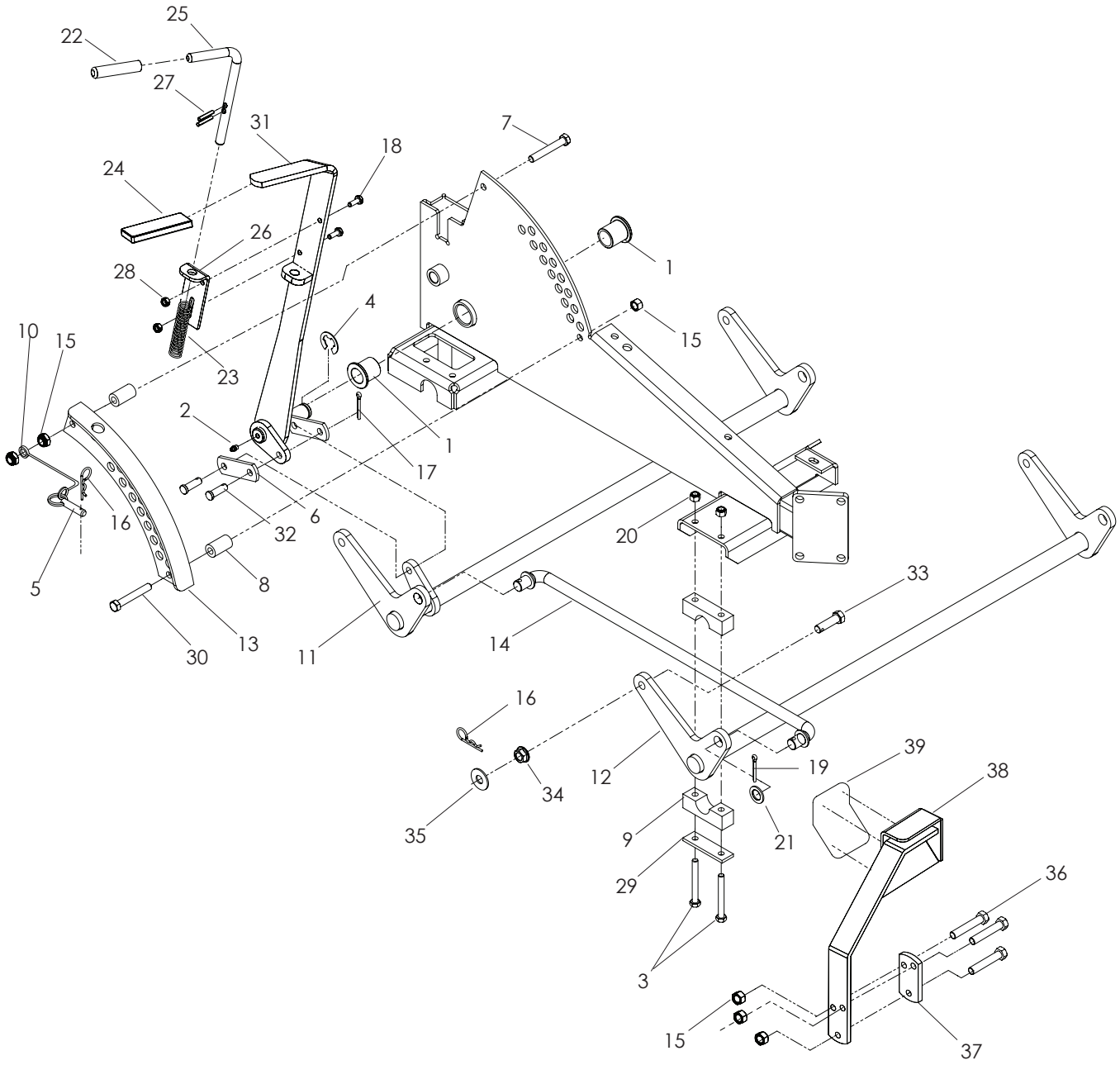
WHEELS AND TIRES



WHEELS AND TIRES

ITEM	PART NO.	QTY.	DESCRIPTION	ITEM	PART NO.	QTY.	DESCRIPTION
1..	539 112592....	2	TIRE ASSEM, RR 23 x 9.5-12	17..	539 102535....	2	CAP GREASE
2..	539 112599....	2	TIRE RR	18..	539 102543....	4	BEARING-ROLLER
3..	510 253001....	2	RIM RR	19..	539 102852....	2	NUT 1-14 SLOTTED JAM
4..	539 912234....	4	VALVE	20..	539 101474....	2	ZERK
5..	539 106989....	2	MOUNT WHEEL MOTOR	21..	539 102889....	2	COTTER PIN
6..	539 990254....	4	WASHER, ½ SPLT LOCK	22..	539 102851....	2	SEAL
7..	539 990258....	4	NUT ½-13 HEX	23..	539 102855....	2	HCS ½-13 x 7½
8..	539 104288....	1	COTTER PIN	24..	539 104571....	2	YOKE, CASTER
9..	539 101173....	4	LUG NUT ½	25..	539 102856....	2	SPACER, AXLE
10..	539 916561....	1	BUSHING, 1 x 14 GA	26..	539 104572....	2	WHEEL ASSEM, CASTER
11..	539 101332....	4	HCS ½-13 x 2¾	27..	539 110823....	2	WHEEL MOTOR
12..	539 990839....	8	NUT 7/16-14 CNTRLK	28..	539 102484....	4	FLANGE BEARING
13..	539 100143....	8	HCS 7/16-14 x 1				NOT SHOWN
14..	539 101331....	8	NUT ½-13 HEX NYLOC		539 102485....	4	BEARING, ROLLER, CASTER
15..	539 106986....	2	CASTER ARM				
16..	539 976997....	2	ZERK				

MOWER LIFT/DECK LIFT

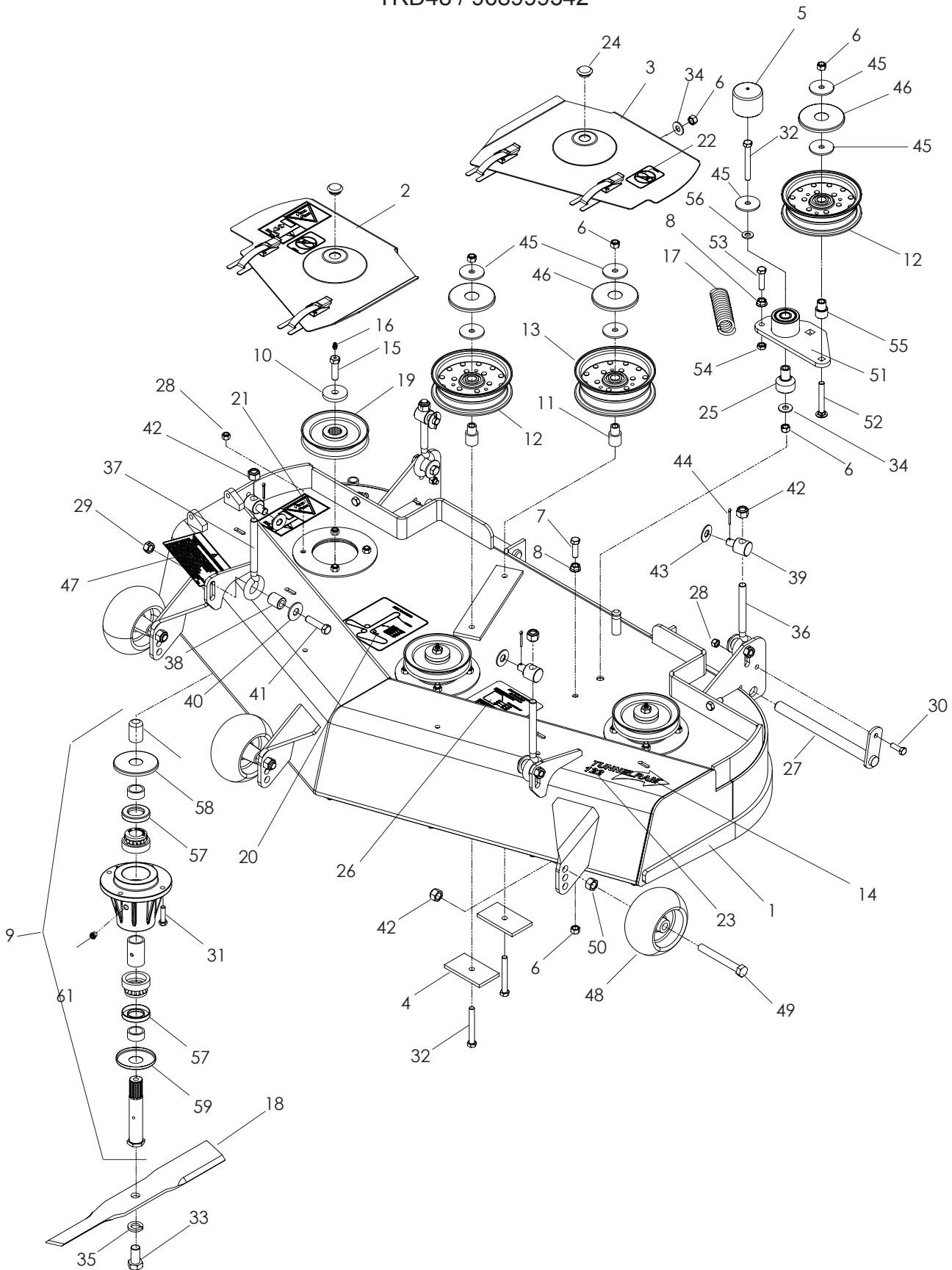


MOWER LIFT/DECK LIFT

ITEM	PART NO.	QTY.	DESCRIPTION	ITEM	PART NO.	QTY.	DESCRIPTION
1..	539 101232....	2	BUSHING	21..	539 991043....	4	BUSHING
2..	539 101474....	2	ZERK	22..	539 101050....	1	GRIP, VINYL
3..	539 101721....	8	HCS $\frac{5}{16}$ -18 x $2\frac{3}{4}$	23..	539 101058....	1	SPRING, COMPRESSION
4..	539 101802....	1	RING-E, $\frac{7}{8}$	24..	539 102515....	1	GRIP, LIFT LEVER
5..	539 102526....	1	PIN LIFT, $\frac{1}{2}$ x 2, W/RINGS	25..	539 103533....	1	PIN $\frac{1}{2}$ x 6.69 L
6..	539 102565....	2	LINKAGE	26..	539 103534....	1	PIN MT
7..	539 102612....	1	HCS $\frac{3}{8}$ -16 x $2\frac{3}{4}$	27..	539 106532....	1	PIN GROOVED, $\frac{3}{16}$ x $1\frac{1}{4}$
8..	539 104530....	2	SPACER	28..	539 990761....	2	NUT $\frac{1}{4}$ -20, CENTERLOCK
9..	539 104808....	8	BLOCK-PILLOW	29..	539 104807....	4	REINFORCED BAR
10..	539 105059....	1	LANYARD	30..	539 990637....	1	HCS $\frac{3}{8}$ -16 x $2\frac{1}{2}$
11..	539 109955....	1	REAR LIFT SHAFT	31..	539 109961....	1	LIFT LEVER
12..	539 109956....	1	FRONT LIFT SHAFT	32..	539 977703....	2	PIN CLEVIS, $\frac{3}{8}$ x $1\frac{1}{8}$
13..	539 110803....	1	ADJUSTMENT PLATE	33..	539 112520....	4	HCS $\frac{7}{16}$ -14 x $1\frac{1}{2}$
14..	539 110808....	2	CROSS LINK	34..	539 102582....	4	NUT $\frac{7}{16}$ -14 WHZLCK
15..	539 976979....	7	NUT $\frac{3}{8}$ -16 HEX NYLOC	35..	539 104864....	4	WASHER $\frac{7}{16}$ FLAT
16..	539 976989....	2	PIN HAIR .120 x $2\frac{1}{2}$	36..	539 990655....	3	HCS $\frac{3}{8}$ -16 x $1\frac{1}{2}$
17..	539 990365....	5	PIN, COTTER, $\frac{1}{8}$ x $\frac{3}{4}$	37..	539 105184....	1	PLATE, TIGHTENING
18..	539 990580....	2	HCS $\frac{1}{4}$ -20 x $\frac{3}{4}$	38..	539 105181....	1	LIFT PEDAL
19..	539 990654....	4	PIN COTTER $\frac{5}{32}$ x $1\frac{1}{4}$	39..	539 105187....	1	PAD, ANTI-SKID
20..	539 990717....	4	NUT $\frac{5}{16}$ -18 HEX NYLOC				

48" CUTTING DECK

TRD48 / 968999342

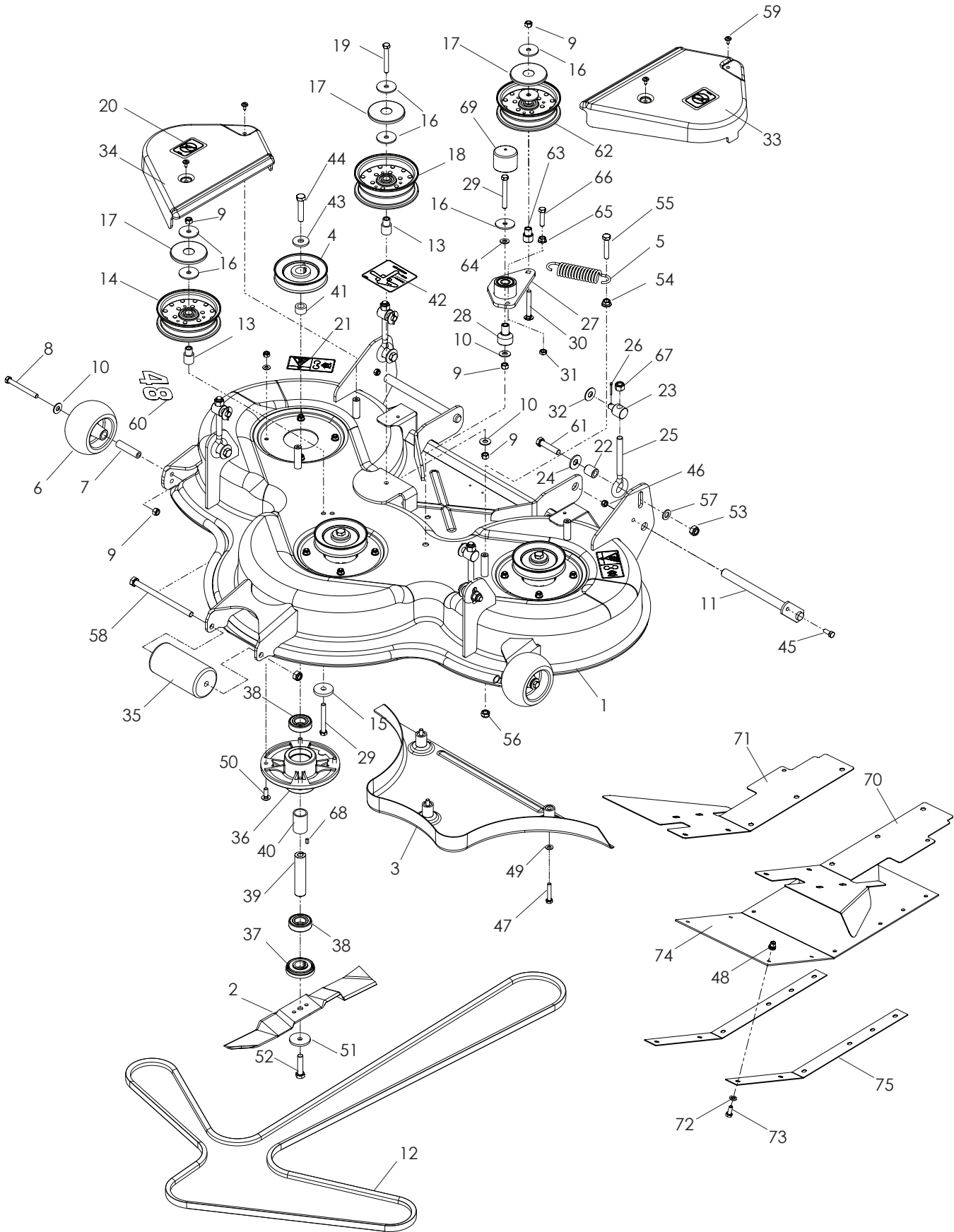


48" CUTTING DECK

ITEM	PART NO.	QTY.	DESCRIPTION	ITEM	PART NO.	QTY.	DESCRIPTION
1..	539 111376	...1	...DECK W/DECALS	33..	539 103299	...3	...HCS ⁵ / ₈ -18 x 1 ¹ / ₄
2..	539 113359	...1	...BELT SHIELD ASSM, 48" RH	34..	539 990517	...3	...WASHER ³ / ₈ FLAT STD
3..	539 113358	...1	...BELT SHIELD ASSM, 48" LH	35..	539 990333	...3	...WASHER ⁵ / ₈ SLW
4..	539 103303	...2	...PAD	36..	539 119227	...2	...EYEBOLT
5..	539 114823	...1	...CAP, VINYL	37..	539 114698	...2	...EYEBOLT, ¹ / ₂ -13 x 5.88
6..	539 976979	...7	...NUT ³ / ₈ -16 HEX NYLOC	38..	539 114404	...4	...SPACER
7..	539 976941	...1	...HCS ³ / ₈ -16 x 1 ¹ / ₄	39..	539 114405	...4	...SWIVEL
8..	539 990613	...2	...NUT ³ / ₈ -16 HEX WHIZLK	40..	539 112484	...4	...WASHER, SPRING ¹ / ₂
9..	539 112934	...3	...HOUSING ASSM	41..	539 108073	...4	...HCS ⁷ / ₁₆ -14 x 1 ³ / ₄
10..	539 106504	...3	...WASHER, HEAVY	42..	539 101331	...7	...NUT ¹ / ₂ -13 HEX NYLOC
11..	539 103295	...2	...BUSHING, IDLER	43..	539 990550	...4	...WASHER ¹ / ₂ STD FLT
12..	539 103257	...2	...PULLEY, IDLER	44..	539 109246	...4	...PIN COTTER ¹ / ₈ x 1
13..	539 103258	...1	...PULLEY, IDLER (TALL)	45..	539 111897	...4	...WASHER ³ / ₈ SPECIAL
14..	539 111812	...1	...DECAL, TUNNELRAM 6"	46..	539 108450	...3	...TOP DUST CAP
15..	539 112120	...3	...HCS ⁷ / ₁₆ -20 x 1 ¹ / ₂ GR8 SPEC	47..	539 130245	...1	...DECAL, DISCHARGE
16..	539 976998	...3	...ZERK, STRAIGHT ¹ / ₄ -28	48..	539 107610	...3	...WHEEL, GAUGE
17..	539 103256	...1	...SPRING	49..	539 118862	...3	... ¹ / ₂ -13 x 4" HHB
18..	539 112612	...3	...BLADE, 16 ¹ / ₄ "	50..	539 990258	...3	...NUT ¹ / ₂ -13 HEX
19..	539 112141	...3	...42-48 PULLEY	51..	539 130391	...1	...ARM, IDLER W/BEARINGS
20..	539 110967	...1	...DECAL, BELT ROUTING	52..	539 130235	...1	...RHSNB ³ / ₈ -16 x 2 ³ / ₄
21..	539 105746	...1	...DECAL, SEVERING	53..	539 107042	...1	...HCS ³ / ₈ -16 x 1 ¹ / ₂ GR 8
22..	539 105743	...2	...DECAL, NO STEP	54..	539 109332	...1	...NUT ³ / ₈ -16 HEX JAM
23..	539 112535	...1	...DECAL, 122	55..	539 130242	...1	...BUSHING, IDLER
24..	539 108382	...2	...PLUG, BUTTONHOLE	56..	539 990122	...1	...WASHER ³ / ₈ SAE FLT
25..	539 130205	...1	...PIVOT, BEARING	57..	539 1087542SHAFT SEAL
26..	539 105232	...1	...DECAL, ANTI-SCALP	58..	539 1084501TOP DUST CAP
27..	539 102619	...2	...PIVOT PIN	59..	539 1084491BOTTOM DUST CAP
28..	539 990717	.14	...NUT ⁵ / ₁₆ -18 HEX NYLOC	61..	539 9773261GREASE POPPET
29..	539 990839	...4	...NUT ⁷ / ₁₆ -14 HEX CTRLK GR A	NOT SHOWN			
30..	539 990209	...2	...HCS ⁵ / ₁₆ -18 x 1	539 111949	...1	...BELT, DECK 48"	
31..	539 990627	.12	...HCS ⁵ / ₁₆ -18 x 1 ¹ / ₄				
32..	539 101341	...3	...HCS ³ / ₈ -16 x 3				

48" CUTTING DECK

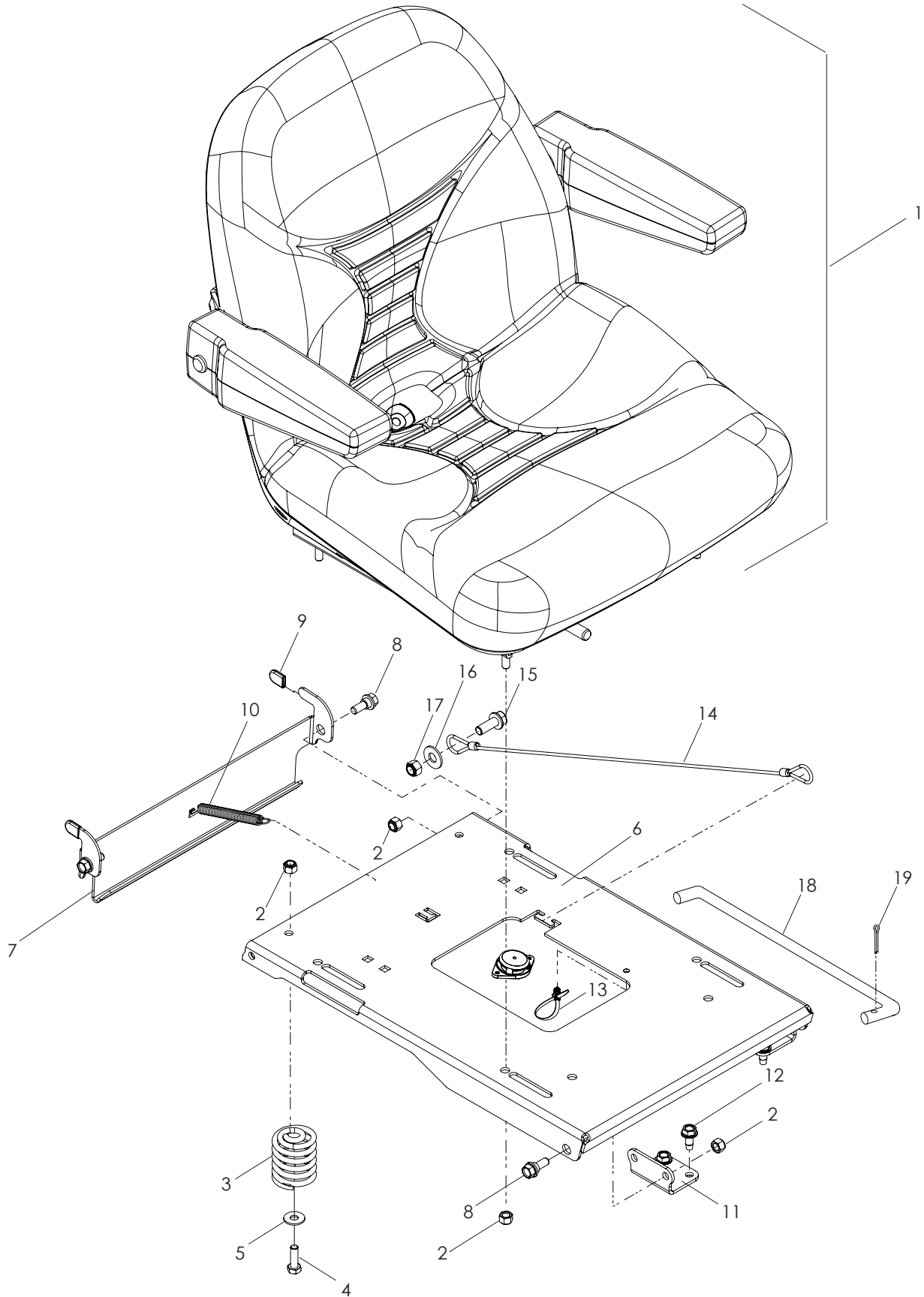
CD48 / 968999347



48" CUTTING DECK

ITEM	PART NO.	QTY.	DESCRIPTION	ITEM	PART NO.	QTY.	DESCRIPTION
1..	539 1133451 DECK W/DECALS	39..	535 4287023 AXLE
2..	535 4294013 BLADE	40..	535 4288013 SPACER
3..	535 4283011 PLUG, MULCH	41..	539 1126093 KEY RETAINER
4..	539 1125053 PULLEY, 48	42..	539 1126201 DECAL, BELT ROUTING
5..	539 1032561 SPRING	43..	535 4292013 WASHER
6..	539 1026432 ROLLER, ANTI-SCALP	44..	725 2544713 BOLT, M12 x 1.75 x 60 MM
7..	539 1026982 BUSHING	45..	725 2451512 BOLT, M8 x 1.25 x 20 MM
8..	539 1027542 HCS 3/8-16 x 3 1/2 GR8	46..	732 211801	..14 NUT M8
9..	539 9769794 NUT 3/8-16, NYLOC	47..	725 2460713 BOLT M8 x 1.25 x 45 MM
10..	539 9905172 WASHER 3/8	48..	506 9162013 NUT
11..	539 1026192 PIVOT PIN	49..	734 116401	..15 WASHER
12..	539 1125281 DECK BELT, 48"	50..	535 423801	..12 SCREW
13..	539 1032952 IDLER BUSHING	51..	506 7923023 WASHER
14..	539 1032572 PULLEY, IDLER	52..	725 2542513 BOLT, M12 x 1.75 x 50 MM
15..	539 1065041 WASHER, HEAVY	53..	732 2522015 NUT M12
16..	539 1118976 WASHER 3/8 SPECIAL	54..	539 1129631 NUT M10 x 1.5
17..	539 1084503 TOP DUST CAP	55..	725 2502711 BOLT, M10 x 1.5 x 55 MM
18..	539 1032581 PULLEY, IDLER (TALL)	56..	732 2120511 NUT M10
19..	539 1026121 HCS 3/8-16 x 2 3/4	57..	734 1178014 WASHER 13 x 24 x 2.7
20..	539 1057432 DECAL, NO STEP	58..	544 2210011 BOLT, M12 x 1.75 x 180 MM
21..	539 1057442 DECAL, DANGER, BLT DRV	59..	506 9826014 SCREW
22..	539 1144044 SPACER	60..	544 2453031 LABEL
23..	539 1144054 SWIVEL	61..	725 2543714 BOLT, M12 x 1.75 x 55 MM
24..	539 1124844 WASHER, SPRING 1/2	62..	539 1032571 PULLEY, IDLER
25..	539 1192274 EYEBOLT	63..	539 1302421 BUSHING, IDLER
26..	539 1092464 PIN COTTER, 1/8 x 1	64..	539 9901221 WASHER 3/8, SAE
27..	539 1303911 ARM, IDLER W/BEARINGS	65..	539 9906131 NUT 3/8-16, WHIZLK
28..	539 1302051 PIVOT, BEARING	66..	539 1070421 HCS 3/8-16 x 1 1/2 GR8
29..	539 1013412 HCS 3/8-16 x 3	67..	539 1013314 NUT 1/2-13 HEX NYLOC
30..	539 1302351 RHSNB 3/8-16 x 2 3/4	68..	506 5335016 KEY
31..	539 1093321 NUT 3/8-16 HEX JAM	69..	539 1148231 CAP, VINYL
32..	539 9905504 WASHER 1/2	70..	539 1129511 SHIELD, LEFT
33..	539 1125081 BELT SHIELD, LT	71..	539 1125491 SHIELD, RIGHT
34..	539 1125091 BELT SHIELD, RT	72..	734 116301	..10 WASHER
35..	544 1854011 ROLLER	73..	725 245151	..10 BOLT, M8 x 1.25 x 20MM
36..	535 4289013 HOUSING	74..	539 1129541 RUBBER SECTION
37..	535 5042013 BEARING	75..	539 1131712 PLATE, ADJUSTER
38..	738 2205196 BEARING				

SEAT

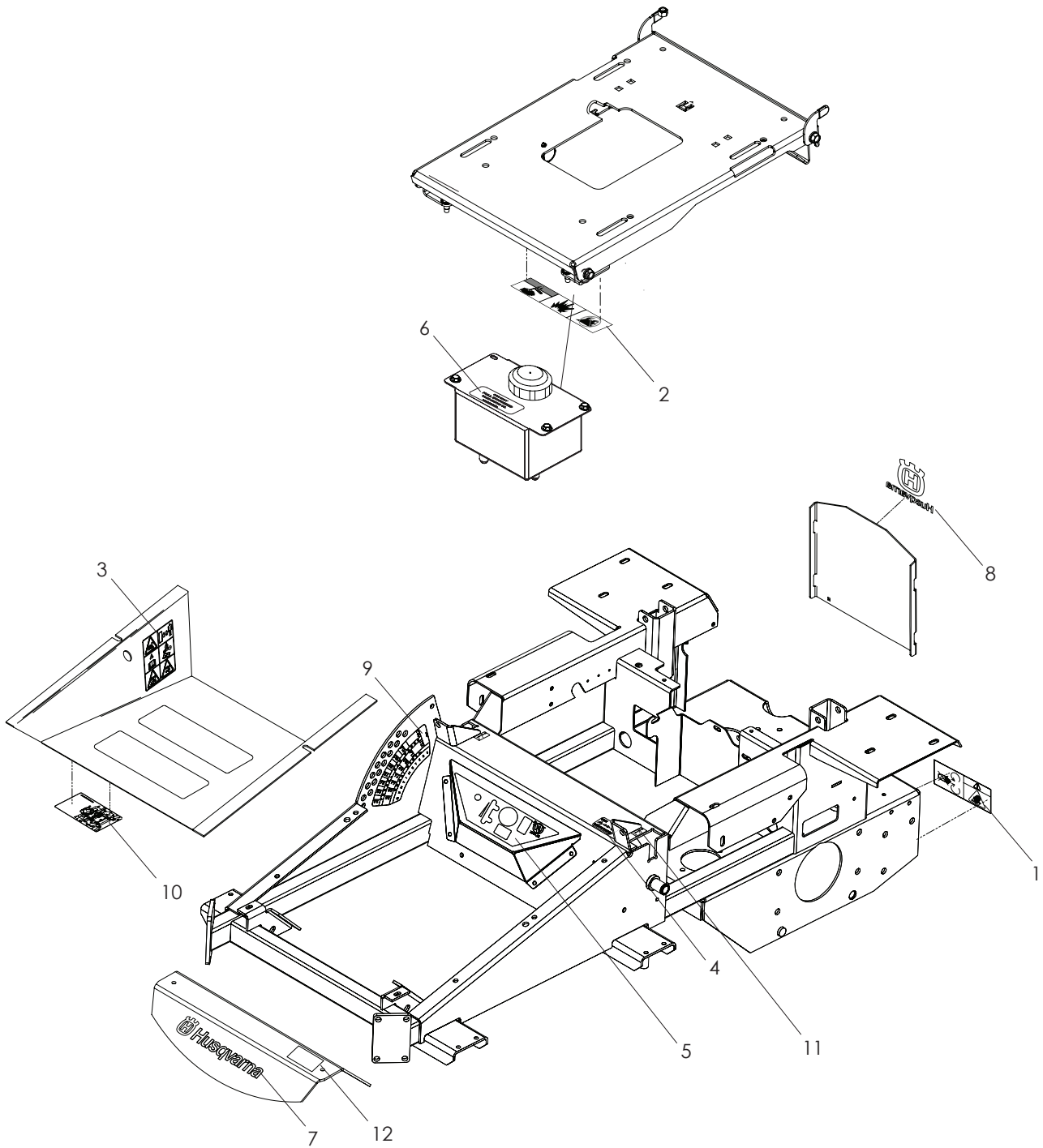


SEAT

ITEM	PART NO.	QTY.	DESCRIPTION
1..	539 130873....	1	SEAT
2..	539 990717....	4	NUT ⁵ / ₁₆ -18 NYLOC
3..	539 110300....	2	SPRING, SEAT
4..	539 990209....	2	HCS ⁵ / ₁₆ -18 X 1
5..	539 990692....	2	WASHER ⁵ / ₁₆ STD FLT
6..	539 130785....	1	PAN, SEAT
7..	539 130787....	1	LATCH, SEAT
8..	539 130896....	4	SB ⁵ / ₁₆ -18 HEX HD
9..	539 130898....	2	GRIP, VINYL
10..	539 977250....	1	SPRING

ITEM	PART NO.	QTY.	DESCRIPTION
11..	539 130789....	2	PIVOT, SEAT PAN
12..	539 107475....	4	BOLT ⁵ / ₁₆ -18 x ³ / ₄ THD FRM
13..	505 280001....	1	TIE WRAP W/CLIP
14..	539 103247....	1	LANYARD, SEAT
15..	539 990582....	1	HCS ³ / ₈ -16 X 1 WHIZLK
16..	539 990517....	1	WASHER ³ / ₈ FLAT STD
17..	539 976979....	1	NUT ³ / ₈ -16 HEX NYLOC
18..	539 104525....	1	SEAT ROD
19..	539 990365....	1	PIN, COTTER, ¹ / ₈ x ³ / ₄
20..	539 117398....	1	SWITCH, SEAT N/C

DECALS



DECALS

ITEM	PART NO.	QTY.	DESCRIPTION	ITEM	PART NO.	QTY.	DESCRIPTION
1..	539 105744....	1	DECAL, BELT DRIVES	10..	539 107289....	1	DECAL, SERVICE
2..	539 105745....	1	DECAL, BATTERY WARNING	11..	539 103333....	2	DECAL, MOTION CONTROL
3..	539 111575	1	DECAL, WARNING	12..	539 112518....	1	DECAL, iZ21
4..	539 110974....	1	DECAL, TRACKING				NOT SHOWN
5..	539 110956....	1	DECAL, CONSOLE		539 100128....	1	DECAL, EXHAUST
6..	539 114832....	1	DECAL, OIL TANK		539 109909....	1	DECAL, MICHIGAN SEAT
7..	539 111047	1	DECAL, HUSQVARNA		539 102670....	1	DECAL, FUEL VALVE
8..	539 111055	1	DECAL, CROWN		539 109909....	1	DECAL, SEAT
9..	539 112606....	1	DECAL, HEIGHT, iZE				