

# Kohler 15 hp

**Spare parts**

**Ersatzteile**

**Pièces détachées**

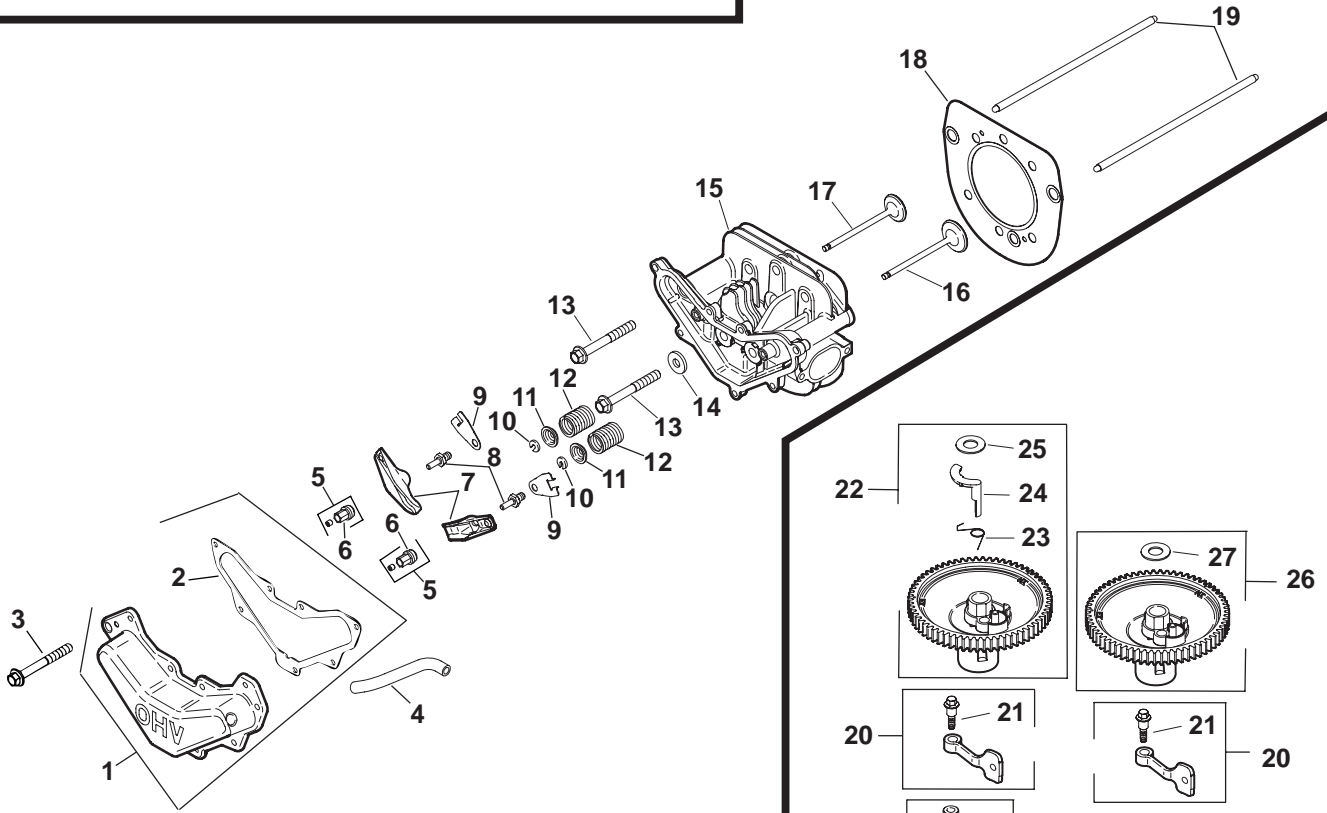
**Reserve onderdelen**

**Repuestos**

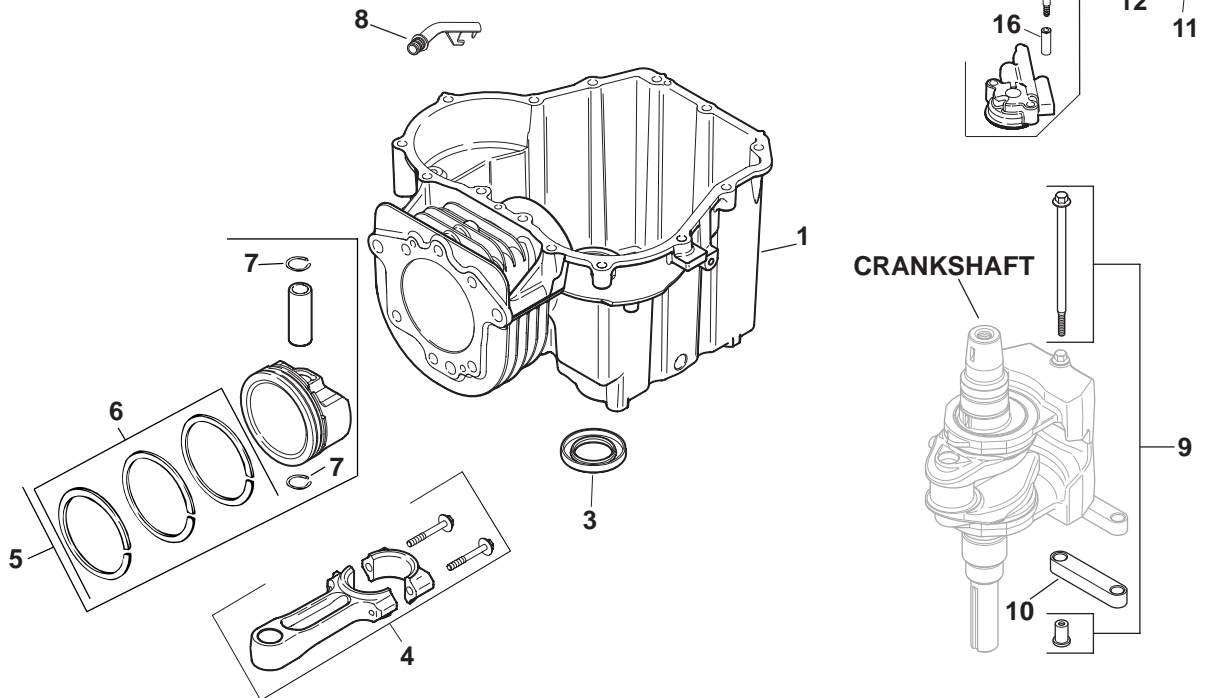
**Reservdelar**

# KOHLER ENGINE - MODEL NUMBER SV470, TYPE NUMBER 0104

## CYLINDER HEAD, VALVE AND BREATHER



## CRANKCASE



# KOHLER ENGINE - MODEL NUMBER SV470, TYPE NUMBER 0104

## HEAD / VALVE / BREATHER

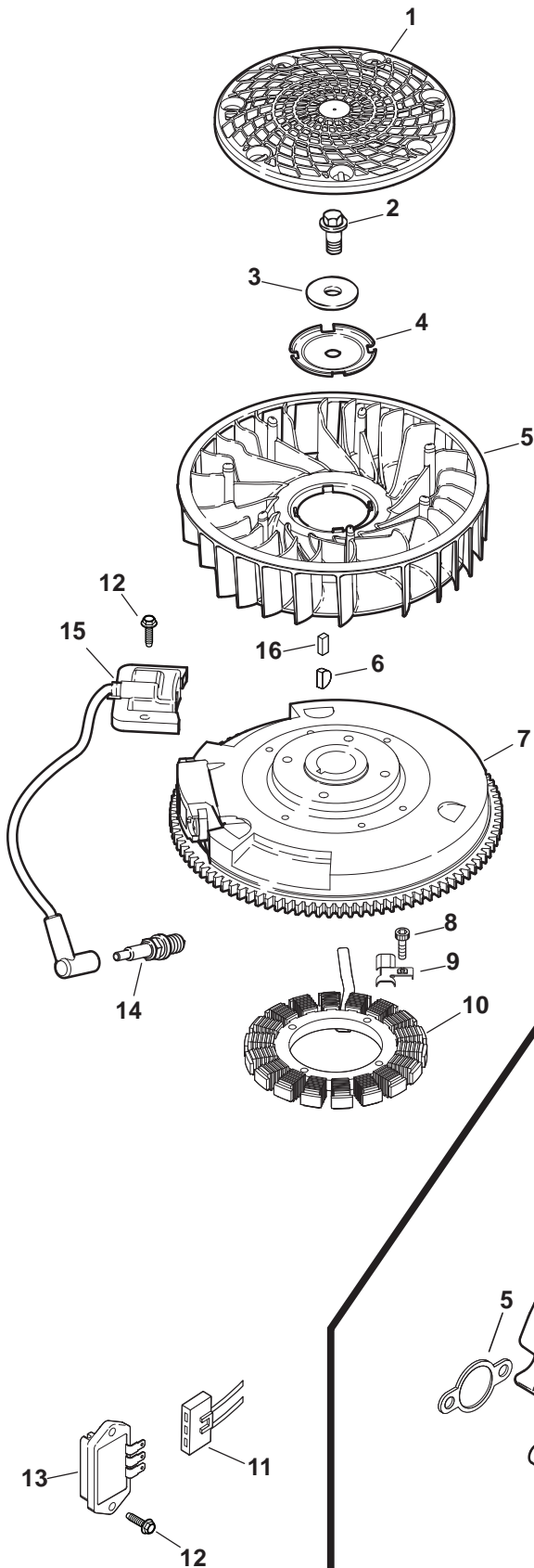
KEY NO.	PART NO.	DESCRIPTION
1	531 02 98-78	Kit, Valve Cover (Includes Key Number 2)
2	531 02 95-54	Gasket, Valve Cover
3	531 02 95-55	Screw, Flanged, Thread Forming M6 x 1.0 x 20
4	531 02 95-56	Hose, Breather
5	523 06 04-01	Pivot, Rocker Arm
6	531 02 95-58	Screw, Set
7	531 02 95-59	Arm, Rocker
8	523 06 05-01	Stud, Rocker
9	531 02 95-61	Plate, Push Rod Guide
10	531 02 95-62	Lock, Retainer
11	531 02 95-63	Cap, Valve Spring
12	531 02 95-64	Spring, Valve
13	531 02 95-65	Screw, Flanged M10 x 1.5 x 80
14	531 02 95-66	Washer, Flat 13/32
15	531 02 95-67	Cylinder Head Assembly
16	531 02 95-68	Valve, Exhaust
17	531 02 95-69	Valve, Intake
18	531 02 96-90	Kit, Cylinder Head Gasket (Includes Key Numbers 2, 12 thru 14, Air Cleaner Base Gasket and Carburetor Gasket)
19	531 02 95-71	Rod, Push

## CRANKCASE

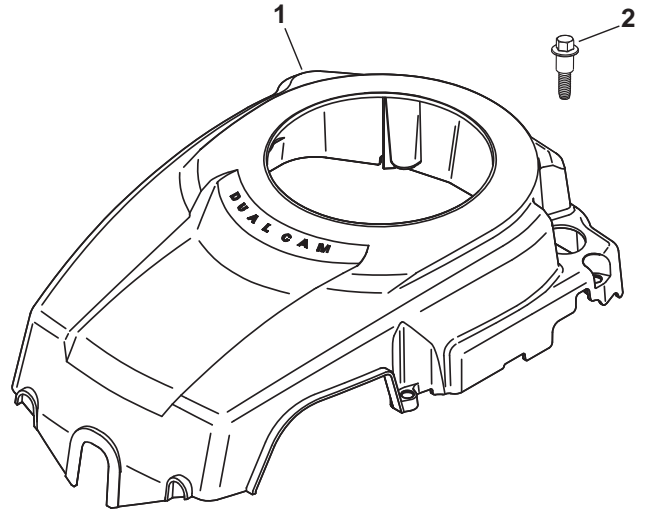
KEY NO.	PART NO.	DESCRIPTION
1	- - -	Crankcase (Use Short Block)
3	531 02 95-14	Seal, Oil
4	523 06 03-01	Rod, Connecting
5	531 02 95-77	Kit, Piston with Ring Set (89mm) (Includes Key Numbers 6 and 7)
6	531 02 96-86	Ring Set (89mm)
7	531 02 95-19	Retainer, Piston Pin
8	531 02 98-85	Tube, Drainback
9	531 02 95-21	Kit, Locating Pin
10	504 57 79-01	Linkage, Balance Weight
11	531 02 95-23	Clip, Hitch Pin
12	531 02 95-24	Washer, Flat 6 Mm
13	531 02 95-39	Washer, Flat 1/4
14	531 02 95-25	Shaft, Governor Cross
15	531 02 98-39	Kit, Oil Pump Assembly (Includes Key Numbers 16 and 17)
16	531 02 95-27	Spacer, Oil Pump Screw
17	531 02 95-28	Screw, Oil Pump
18	531 02 98-77	Kit, Camshaft (Includes Key Number 19)
19	531 02 95-32	Washer, Thrust
20	531 02 95-33	Kit, Cam Lever Assembly (Includes Key Number 21)
21	531 02 95-34	Screw, Shoulder, Thread Forming M6 x 1 x 26
22	531 02 95-35	Kit, Camshaft Assembly (Includes Key Numbers 23 thru 25)
23	531 02 95-36	Spring, ACR
24	510 43 87-01	Weight, ACR
25	531 02 95-38	Washer, Thrust, ACR
26	531 02 95-35	Kit, Camshaft Assembly (Includes Key Number 27)
27	531 02 95-38	Washer, Thrust, ACR

# KOHLER ENGINE - MODEL NUMBER SV470, TYPE NUMBER 0104

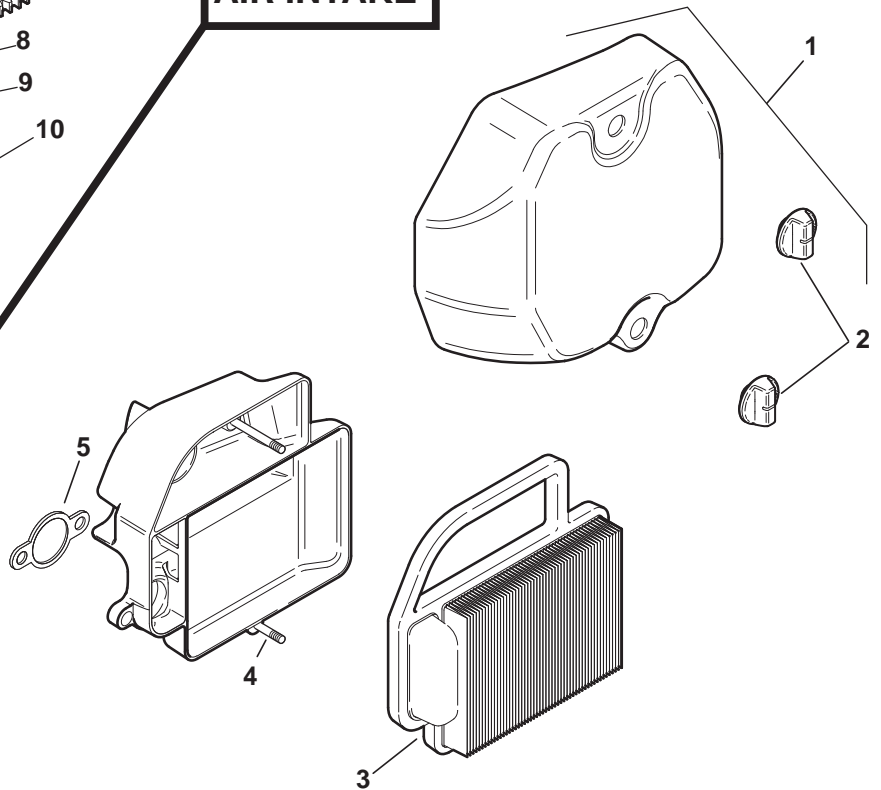
## IGNITION/ELECTRICAL



## BLOWER HOUSING AND BAFFLES



## AIR INTAKE



# KOHLER ENGINE - MODEL NUMBER SV470, TYPE NUMBER 0104

## IGNITION / ELECTRICAL

KEY NO.	PART NO.	DESCRIPTION
1	531 02 95-72	Screen, Grass
2	504 57 86-01	Screw, Hex Flange
3	504 58 05-01	Washer, Flat
4	544 93 68-01	Plate, Fan Mounting
5	531 02 95-76	Fan
6	531 02 95-11	Key, 3/16 x 5/8 (Before S/N 3802500013)
7	510 43 91-01	Flywheel
8	531 02 98-87	Screw, Thread Forming M5 x 0.8 x 25
9	504 57 78-01	Clip, Wire
10	531 02 95-82	Kit, 15 Amp Stator (Includes Terminal)
11	523 06 06-01	Connector
12	531 02 95-84	Screw, Flanged, Thread Forming M5 x 0.8 x 20
13	504 57 71-01	Regulator / Rectifier
14	531 02 99-75	Spark Plug, RFI
15	531 02 95-87	Module, Ignition (CDI Fixed)
16	510 43 92-01	Key, Straight Flywheel (After S/N 3802500003)

Not Illustrated:

--	523 06 07-01	Harness, Wiring
--	544 93 71-01	Tie
--	544 93 75-01	Terminal

## BLOWER HOUSING & BAFFLES

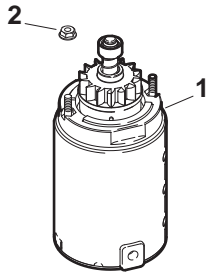
KEY NO.	PART NO.	DESCRIPTION
1	531 02 95-89	Kit, Blower Housing
2	531 02 95-34	Screw, Shoulder, Thread Forming M6 x 1 x 26
Not Illustrated:		
--	531 02 99-27	Nameplate, Service

## AIR INTAKE / FILTRATION

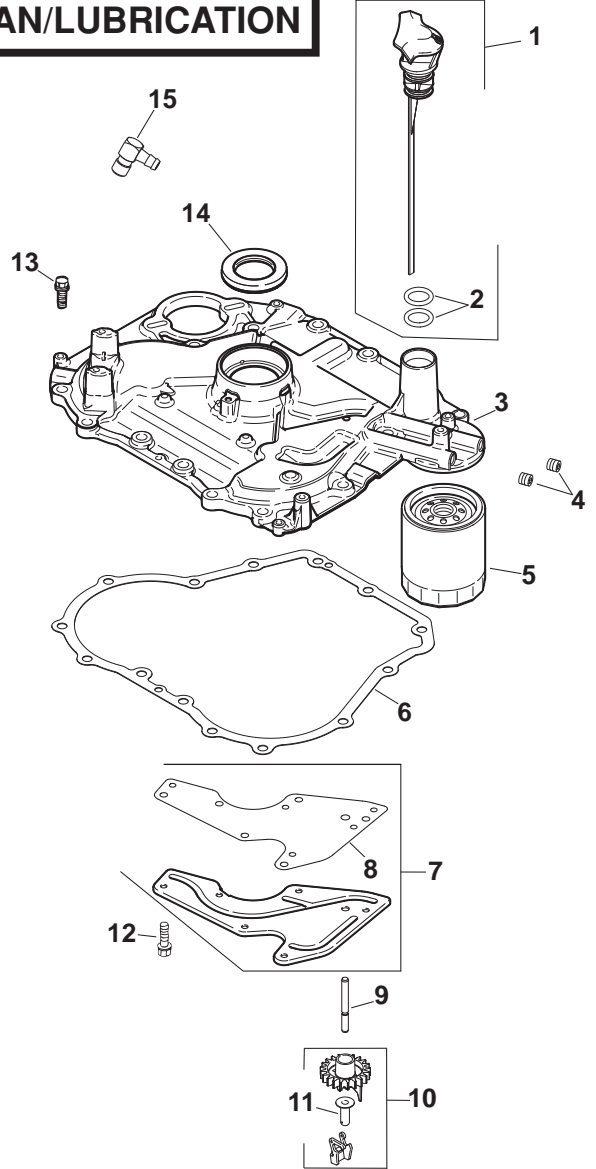
KEY NO.	PART NO.	DESCRIPTION
1	531 02 97-25	Kit, Air Cleaner Cover
2	531 02 98-38	Knob, Cover
3	531 02 95-01	Element, Air Cleaner
4	504 57 76-01	Stud, Air Cleaner Base
5	531 02 96-00	Gasket, Air Cleaner Base

# KOHLER ENGINE - MODEL NUMBER SV470, TYPE NUMBER 0104

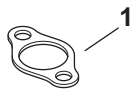
## STARTING SYSTEM



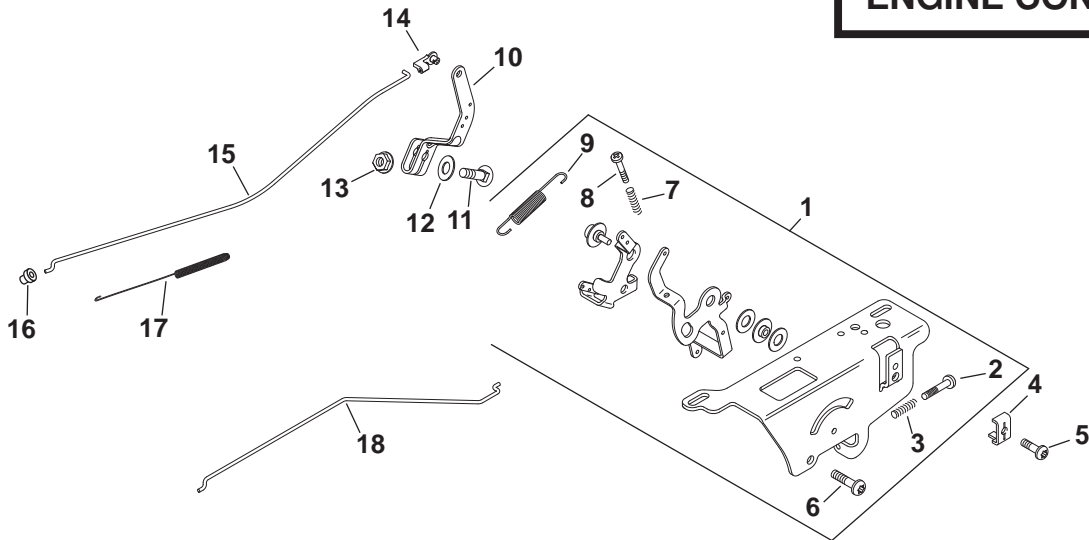
## OIL PAN/LUBRICATION



## ACCESSORIES



## ENGINE CONTROLS



# KOHLER ENGINE - MODEL NUMBER SV470, TYPE NUMBER 0104

## STARTING SYSTEM

KEY NO.	PART NO.	DESCRIPTION
1	531 02 95-93	Starter Assembly (Includes Key Numbers 3 thru 6)
2	531 02 95-94	Nut, Free Spinning, Flanged #10-24
3	504 57 85-01	Kit, Drive (J.E.)
4	504 57 72-01	Brush, Kit
5	504 57 82-01	Cap, Drive End (J.E.)
6	504 57 80-01	Bolt, Thru

## ACCESSORIES

KEY NO.	PART NO.	DESCRIPTION
1	531 02 96-32	Gasket, Exhaust

## OIL PAN / LUBRICATION

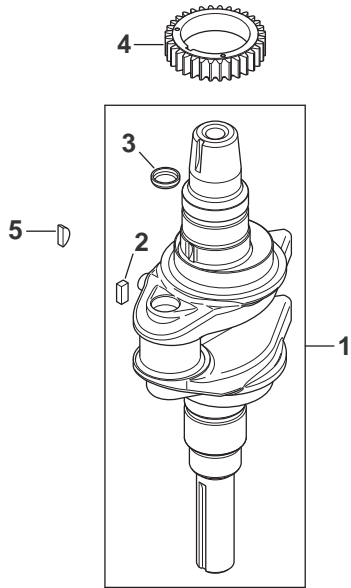
1	510 44 22-01	Kit, Dipstick Blade (Yellow) (Includes Key Number 2)
2	531 02 95-41	O-Ring
3	504 57 73-01	Kit, Closure Plate Assembly (Includes Key Numbers 4, 7-12, 14)
4	531 02 95-43	Plug, Pipe, Countersunk 1/8
5	531 02 95-03	Filter, Oil
6	531 02 95-44	Gasket, Closure Plate
7	531 02 95-45	Kit, Oil Passage Cover Includes Key Number 8)
8	531 02 95-46	Gasket, Oil Passage
9	531 02 95-47	Shaft, Governor Cross
10	531 02 95-48	Kit, Governor Gear Assembly (Includes Key Number 11)
11	531 02 95-49	Pin, Governor Regulating
12	531 02 95-50	Screw, Flanged, Thread Forming M5 x 0.8 x 13
13	504 58 04-01	Screw, Flanged, Hex Head, Dog Point 1/2
14	531 02 95-14	Seal, Oil

## ENGINE CONTROLS

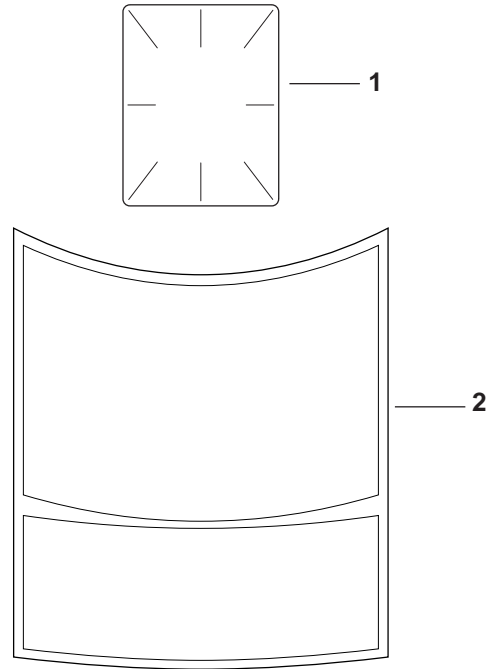
KEY NO.	PART NO.	DESCRIPTION
1	531 02 98-79	Kit, Speed Control Assembly (Includes Key Numbers 2, 3, 6-9)
2	531 02 96-18	Screw, Phillips Head, Thread Forming M4 x 0.7 x 25
3	531 02 96-17	Spring, Speed Control (Short)
4	531 02 96-13	Clamp, Cable
5	531 02 96-14	Screw, Thread Forming M5 x 0.8 x 16
6	531 02 96-15	Screw, Socket Head M6 x 1.0 x 20
7	531 02 96-17	Spring, Speed Control (Short)
8	531 02 96-18	Screw, Phillips Head, Thread Forming M4 x 0.7 x 25
9	531 02 96-23	Spring, Governor
10	523 06 09-01	Lever, Governor
11	531 02 96-20	Bolt, Round Head, Square Neck 1/4-20 x 1
12	531 02 96-06	Washer, Lock, Internal Tooth 1/4
13	531 02 96-22	Nut, Hex, Flanged 1/4-20
14	531 02 96-24	Bushing, Throttle Linkage
15	531 02 96-25	Linkage, Throttle
16	531 02 96-26	Bushing, Linkage Retaining
17	531 02 98-96	Spring, Linkage
18	531 02 96-16	Linkage, Choke

# KOHLER ENGINE - MODEL NUMBER SV470, TYPE NUMBER 0104

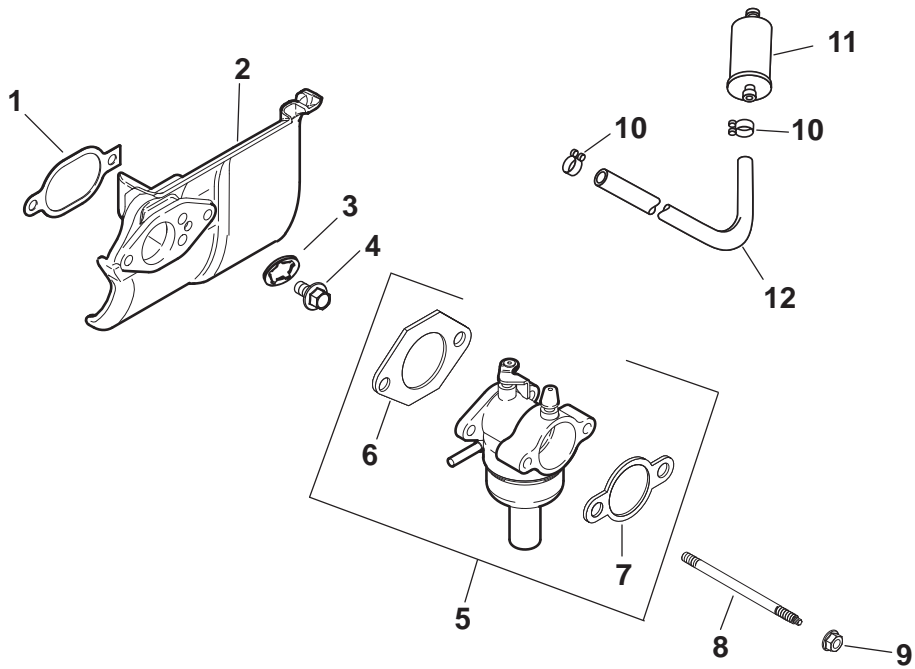
## CRANKSHAFT



## DECALS



## FUEL SYSTEM





# KOHLER ENGINE - MODEL NUMBER SV470, TYPE NUMBER 0104

## CRANKSHAFT

KEY NO.	PART NO.	DESCRIPTION
1	531 02 95-52	Kit, Crankshaft (Includes Key Numbers 2 and 3)
2	510 43 92-01	Key, Straight
3	523 06 02-01	Plug, Cup
4	531 02 95-12	Gear, Crankshaft
5	531 02 95-11	Key 3/16 x 5/8

## DECALS

KEY NO.	PART NO.	DESCRIPTION
1	531 02 98-42	Decal, Clear Laminate
2	531 02 95-92	Decal, 15 HP

## SHORTBLOCK

KEY NO.	PART NO.	DESCRIPTION
--	522 90 59-01	SV470/480 Short Block
--	531 02 96-34	Gasket Set

## FUEL SYSTEM

KEY NO.	PART NO.	DESCRIPTION
1	504 57 75-01	Gasket, Heat Deflector
2	504 57 77-01	Stud, Carburetor
3	523 06 08-01	Kit, Heat Deflector (Includes Key Numbers 1, 2 and 8)
4	531 02 96-06	Washer, Lock, Internal Tooth 1/4
5	531 02 95-97	Screw, Flanged M6 x 1.0 x 20
6	531 02 99-41	Kit, Carburetor with Gaskets (Includes Key Numbers 7 and 8)
7	531 02 95-99	Gasket, Carburetor
8	531 02 96-00	Gasket, Air Cleaner Base
9	531 02 96-01	Stud M6 x 1.0 x 100
10	531 02 96-02	Nut, Flanged M6 x 1.0
11	531 02 99-87	Line, Fuel (24" - Cut To Length)
12	531 02 96-04	Clamp, Hose, Spring 1/2
13	531 02 95-02	Filter, Fuel
Not Illustrated:		
--	544 93 71-01	Tie
--	531 02 96-07	Kit, Repair, Float
--	531 02 96-08	Kit, Repair, Carburetor
--	531 02 96-09	Kit, Repair, Solenoid
--	531 02 96-10	Kit, Repair, Bowl Replacement
--	531 02 99-98	Kit, High Altitude (5000 Feet)
--	544 36 89-01	Kit, High Altitude (10,000 Feet)