

# Kohler 17 hp

**Spare parts**

**Ersatzteile**

**Pièces détachées**

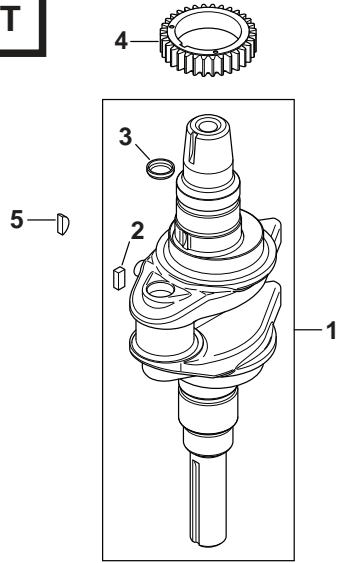
**Reserve onderdelen**

**Repuestos**

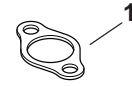
**Reservdelar**

# KOHLER ENGINE - MODEL NO. SV530, TYPE NO.0034

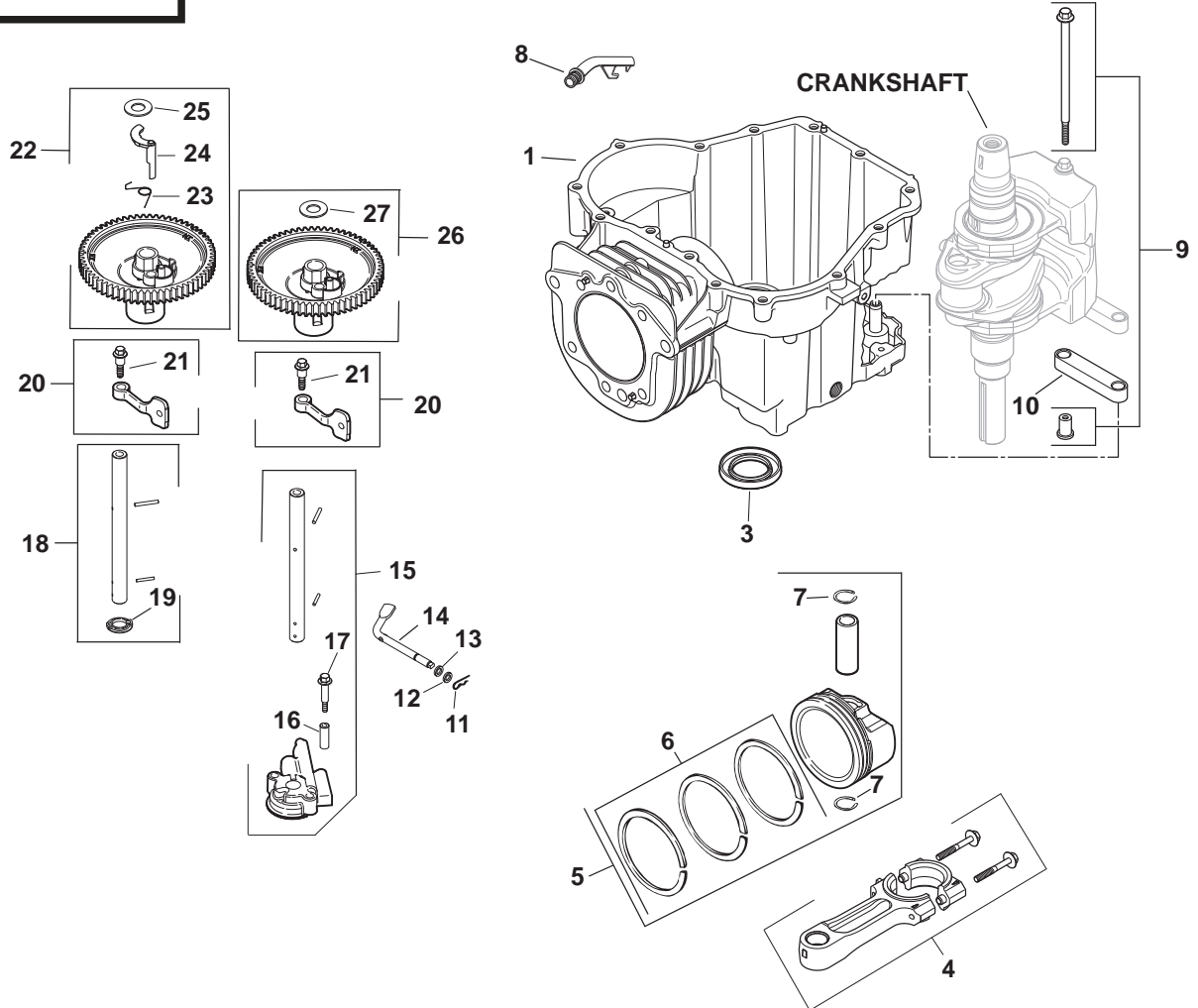
## CRANKSHAFT



## ACCESSORIES



## CRANKCASE



# KOHLER ENGINE - MODEL NO. SV530, TYPE NO.0034

## CRANKSHAFT

| KEY NO. | PART NO.       | DESCRIPTION                    |
|---------|----------------|--------------------------------|
| 1       | 531 02 95-52 1 | Kit, crankshaft (includes 2,3) |
| 2       | 510 43 92-01 1 | Key, straight                  |
| 3       | 523 06 02-01 1 | Plug, cup                      |
| 4       | 531 02 95-12 1 | Gear, crankshaft               |
| 5       | 531 02 95-11 1 | Key, 3/16" x 5/8"              |

## CRANKCASE

| KEY NO. | PART NO.       | DESCRIPTION                                     |
|---------|----------------|---|
| 1       |                | Crankcase ( use short block)                    |
| 3       | 531 02 95-14 1 | Seal, oil                                       |
| 4       | 523 06 03-01 1 | Rod, connecting                                 |
| 5       | 531 02 95-77 1 | Kit, piston w/ring set (89mm)<br>(includes 6,7) |
| 6       | 531 02 96-86 1 | Ring set (89mm)                                 |
| 7       | 531 02 95-19 2 | Retainer, piston pin                            |
| 8       | 531 02 98-85 1 | Tube, drainback                                 |
| 9       | 531 02 95-21 1 | Kit, locating pin                               |
| 10      | 504 57 79-01 1 | Linkage, balance weight                         |
| 11      | 531 02 95-23 1 | Clip, hitch pin                                 |
| 12      | 531 02 95-24 1 | Washer, flat 6 mm                               |
| 13      | 531 02 95-39 1 | Washer, flat 1/4"                               |
| 14      | 531 02 95-25 1 | Shaft, governor cross                           |
| 15      | 531 02 98-39 1 | Kit, oil pump assembly (includes 16,17)         |
| 16      | 531 02 95-27 2 | Spacer, oil pump screw                          |
| 17      | 531 02 95-28 2 | Screw, oil pump                                 |
| 18      | 531 02 98-77 1 | Kit, camshaft c ntr-exhaust (includes 19)       |
| 19      | 531 02 95-32 1 | Washer, thrust                                  |
| 20      | 531 02 95-33 2 | Kit, cam lever assembly (includes 21)           |
| 21      | 531 02 95-34 2 | Screw, shd thd frm m6x1x26                      |
| 22      | 531 02 95-35 1 | Kit, camshaft assembly<br>(includes 23-25)      |
| 23      | 531 02 95-36 1 | Spring, acr                                     |
| 24      | 531 02 95-37 1 | Weight, acr                                     |
| 25      | 531 02 95-38 1 | Washer, thrust -acr                             |
| 26      | 531 02 95-35 1 | Kit, camshaft assembly (includes 27)            |
| 27      | 531 02 95-38 1 | Washer, thrust -acr                             |

## ACCESSORIES

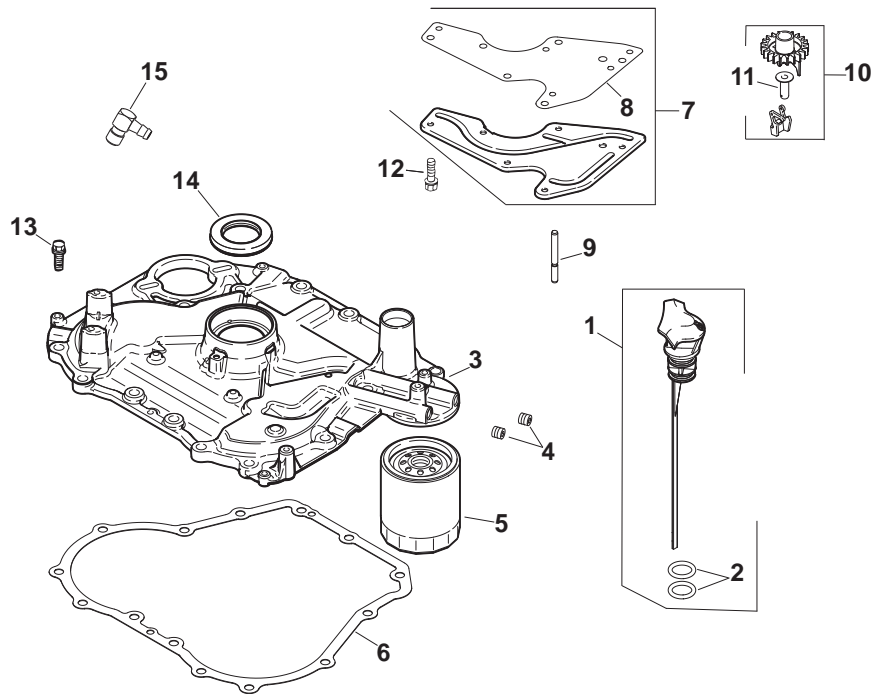
| KEY NO. | PART NO.       | DESCRIPTION     |
|---------|----------------|-----------------|
| 1       | 531 02 96-32 1 | Gasket, exhaust |

## SHORTBLOCK

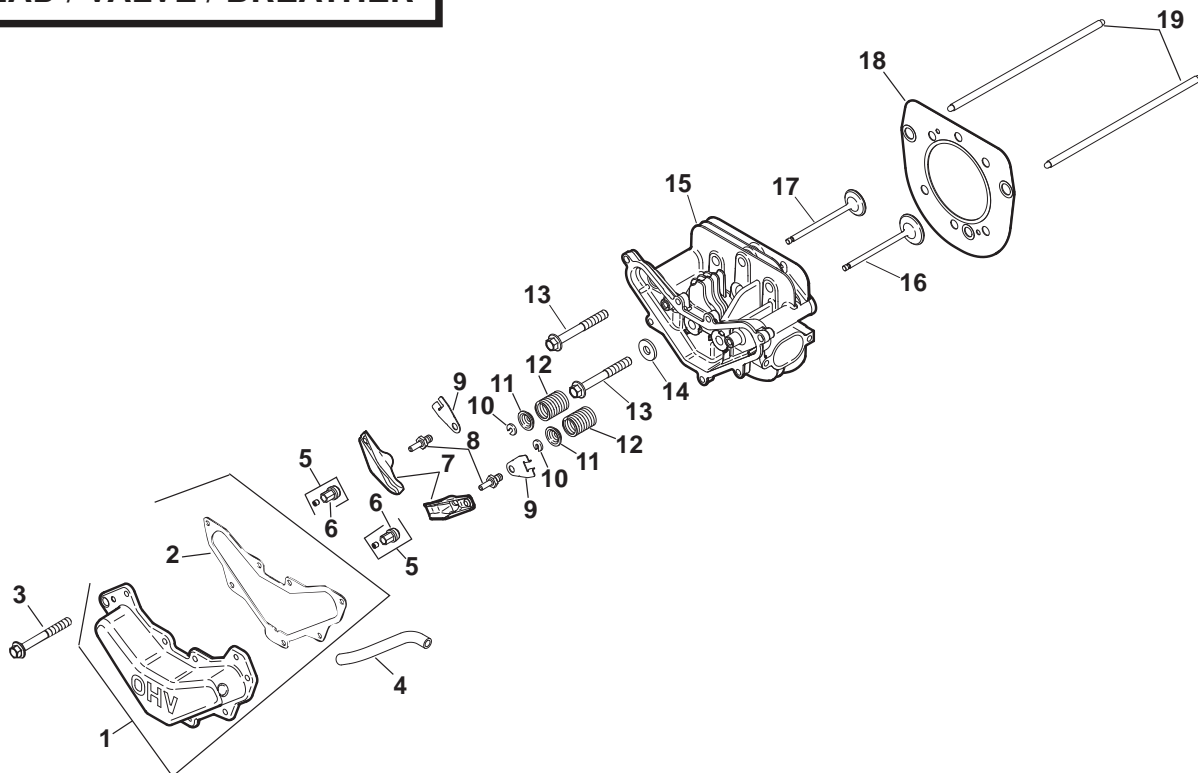
| KEY NO. | PART NO.       | DESCRIPTION           |
|---------|----------------|-----------------------|
|         | 522 90 57-01 1 | Sv530/540 short block |
|         | 531 02 96-34 1 | Gasket set            |

# KOHLER ENGINE - MODEL NO. SV530, TYPE NO.0034

## OIL PAN / LUBRICATION



## HEAD / VALVE / BREATHER



# KOHLER ENGINE - MODEL NO. SV530, TYPE NO.0034

## OIL PAN/LUBRICATION

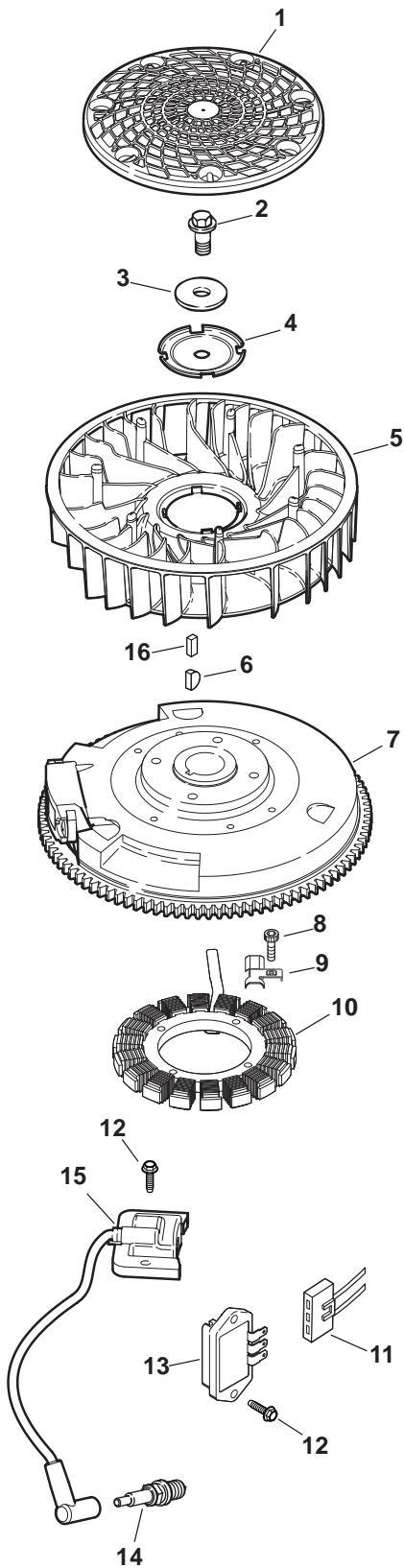
| KEY NO. | PART NO.        | DESCRIPTION                                |
|---------|-----------------|--|
| 1       | 510 44 22-01 1  | Kit, dipstick blade (includes 2)           |
| 2       | 531 02 95-41 2  | O-ring                                     |
| 3       | 504 57 73-01 1  | Kit,plate, closure bearing (includes 6,15) |
| 4       | 531 02 95-43 2  | Plug, ctsk pipe 1/8"                       |
| 5       | 531 02 95-03 1  | Filter, oil                                |
| 6       | 531 02 95-44 1  | Gasket, closure plate                      |
| 7       | 531 02 95-45 1  | Kit, oil passage cover (includes 8)        |
| 8       | 531 02 95-46 1  | Gasket, oil passage                        |
| 9       | 531 02 95-47 1  | Shaft, governor cross                      |
| 10      | 531 02 95-48 1  | Kit, governor gear assy (includes 11)      |
| 11      | 531 02 95-49 1  | Pin, governor regulating                   |
| 12      | 531 02 95-50 6  | Screw, flg thd frm m5x0.8x13               |
| 13      | 504 58 04-01 14 | Hex flange screw, 1/2 dog point            |
| 14      | 531 02 95-14 1  | Seal, oil                                  |
| 15      | 531 02 98-73 1  | Connector, 90° hose                        |

## HEAD/VALVE/BREATHER

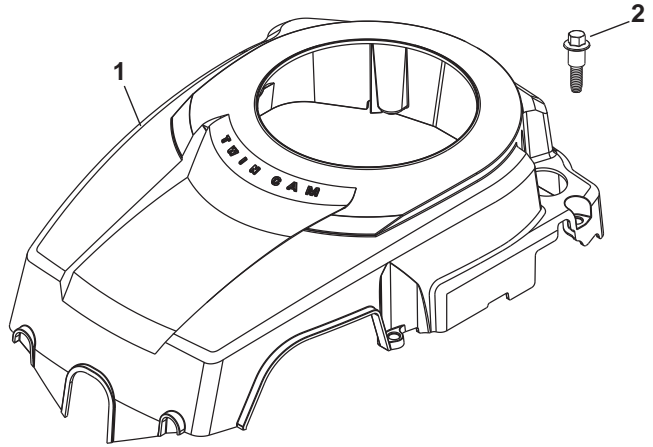
| KEY NO. | PART NO.       | DESCRIPTION   |
|---------|----------------|---|
| 1       | 531 02 98-78 1 | Kit, valve cover (includes 2)   |
| 2       | 531 02 95-54 1 | Gasket, valve cover   |
| 3       | 531 02 95-55 7 | Screw, flg thd frm m6x1.0x20  |
| 4       | 531 02 95-56 1 | Hose, breather  |
| 5       | 531 02 95-57 2 | Pivot, rocker arm   |
| 6       | 531 02 95-58 2 | Screw, set  |
| 7       | 531 02 95-59 2 | Arm, rocker   |
| 8       | 510 43 90-01 2 | Stud, rocker  |
| 9       | 531 02 95-61 2 | Plate, push rod guide   |
| 10      | 531 02 95-62 2 | Lock, retainer  |
| 11      | 531 02 95-63 2 | Cap, valve spring   |
| 12      | 531 02 95-64 2 | Spring, valve   |
| 13      | 531 02 95-65 6 | Screw, flg m10x1.5x80   |
| 14      | 531 02 95-66 1 | Washer, flat 13/32"   |
| 15      | 531 02 95-67 1 | Cylinder head assembly  |
| 16      | 531 02 95-68 1 | Valve, exhaust  |
| 17      | 531 02 95-69 1 | Valve, intake   |
| 18      | 531 02 96-90 1 | "Kit, cylinder head gasket (includes 2,13,14,12 041 01-s, 12 041 02-s & 20 041 07-s)" |
| 19      | 531 02 95-71 2 | Rod, push   |

# KOHLER ENGINE - MODEL NO. SV530, TYPE NO.0034

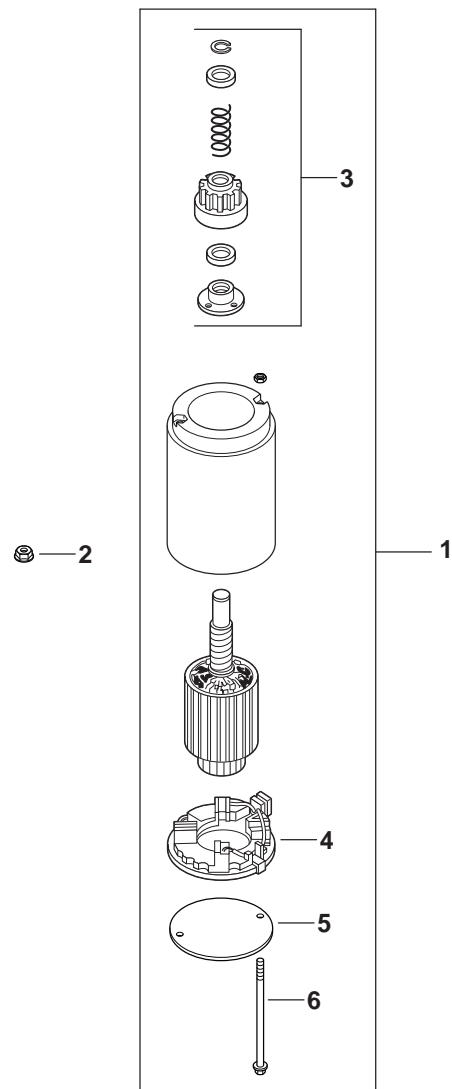
## OIL PAN / LUBRICATION



## BLOWER HOUSING & BAFFLES



## STARTING SYSTEM



# KOHLER ENGINE - MODEL NO. SV530, TYPE NO.0034

## IGNITION/ELECTRICAL

| KEY NO. | PART NO.       | DESCRIPTION                                   |
|---------|----------------|---|
| 1       | 531 02 95-72 1 | Screen, grass                                 |
| 2       | 504 57 86-01 1 | Screw, hex flange                             |
| 3       | 504 58 05-01 1 | Washer, flat                                  |
| 4       | 544 93 68-01 1 | Plate, fan mounting                           |
| 5       | 531 02 95-76 1 | Fan   |
| 6       | 531 02 95-11 1 | Key, 3/16" x 5/8" (before s/n 3802500013)     |
| 7       | 510 43 91-01 1 | Flywheel                                      |
| 8       | 531 02 98-87 2 | Screw, thd frm m5x0.8x25                      |
| 9       | 504 57 78-01 1 | Clip, wire                                    |
| 10      | 531 02 95-82 1 | Kit, 15 amp stator (includes 25 452 01-s)     |
| 11      | 523 06 06-01 1 | Connector                                     |
| 12      | 531 02 95-84 4 | Screw, flg thd frm m5x.8x20                   |
| 13      | 504 57 71-01 1 | Regulator/rectifier                           |
| 14      | 531 02 99-75 1 | Spark plug, rfi                               |
| 15      | 531 02 95-87 1 | Module, ignition (cdi fixed)                  |
| 16      | 510 43 92-01 1 | Key, straight flywheel (after s/n 3802500003) |

### NOT ILLUSTRATED

|                |                 |
|----------------|-----------------|
| 523 06 07-01 1 | Harness, wiring |
| 544 93 71-01 1 | Tie             |
| 544 93 75-01 1 | Terminal        |

## BLOWER HOUSING & BAFFLES

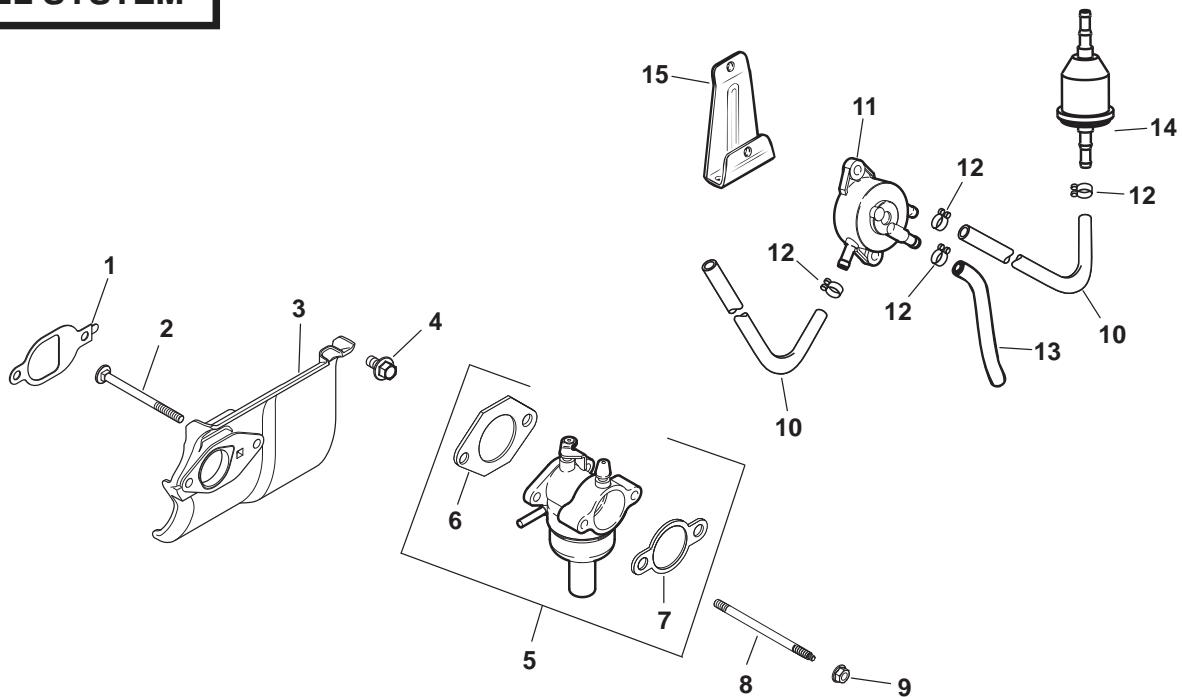
| KEY NO.         | PART NO.       | DESCRIPTION                |
|-----------------|----------------|----------------------------|
| 1               | 531 02 95-89 1 | Kit,blower housing         |
| 2               | 531 02 95-34 4 | Screw, shd thd frm m6x1x26 |
| NOT ILLUSTRATED |                |                            |
|                 | 531 02 99-27 1 | Nameplate, service         |

## STARTING SYSTEM

| KEY NO. | PART NO.       | DESCRIPTION                     |
|---------|----------------|---------------------------------|
| 1       | 531 02 95-93 1 | Starter assembly (includes 3-6) |
| 2       | 531 02 95-94 2 | Nut, free spinning flg #10-24   |
| 3       | 504 57 85-01 1 | Kit, drive (j.E.)               |
| 4       | 504 57 72-01 1 | Brush, kit                      |
| 5       | 504 57 82-01 1 | Cap, drive end (j.E.)           |
| 6       | 504 57 80-01 1 | Bolt, thru                      |

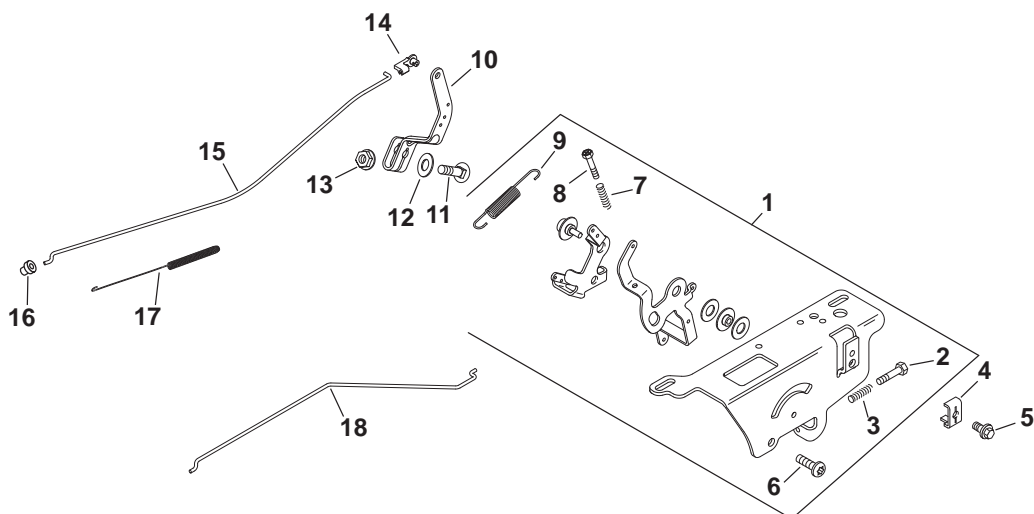
# KOHLER ENGINE - MODEL NO. SV530, TYPE NO.0034

## FUEL SYSTEM



Individual Carburetor Repair Kits are listed by clicking on the notepad under the Carburetor Part Number

## ENGINE CONTROL





# KOHLER ENGINE - MODEL NO. SV530, TYPE NO.0034

## FUEL SYSTEM

| KEY NO. | PART NO.       | DESCRIPTION                     |
|---------|----------------|---------------------------------|
| 1       | 504 57 75-01 1 | Gasket, heat deflector          |
| 2       | 504 57 77-01 1 | Stud, carburetor                |
| 3       | 523 06 08-01 1 | Kit, heat deflector             |
| 4       | 531 02 95-97 1 | Screw, flg m6x1.0x20            |
| 5       | 531 02 97-34 1 | Kit, carburetor (includes 6, 7) |
| 6       | 531 02 95-99 1 | Gasket, carburetor              |
| 7       | 531 02 96-00 1 | Gasket, air cleaner base        |
| 8       | 531 02 96-01 1 | Stud, m6x1.0x100                |
| 9       | 531 02 96-02 2 | Nut, flg m6x1.0                 |
| 10      | 531 02 99-87 2 | Line, fuel (24"-cut to length)  |
| 11      | 531 02 97-87 1 | Pump, fuel                      |
| 12      | 531 02 96-04 2 | Clamp, hose 1/2"                |
| 13      | 510 43 94-01 1 | Line, fuel                      |
| 14      | 531 02 98-62 1 | Filter, fuel                    |
| 15      | 510 43 93 01 1 | Bracket, fuel pump              |

### NOT ILLUSTRATED

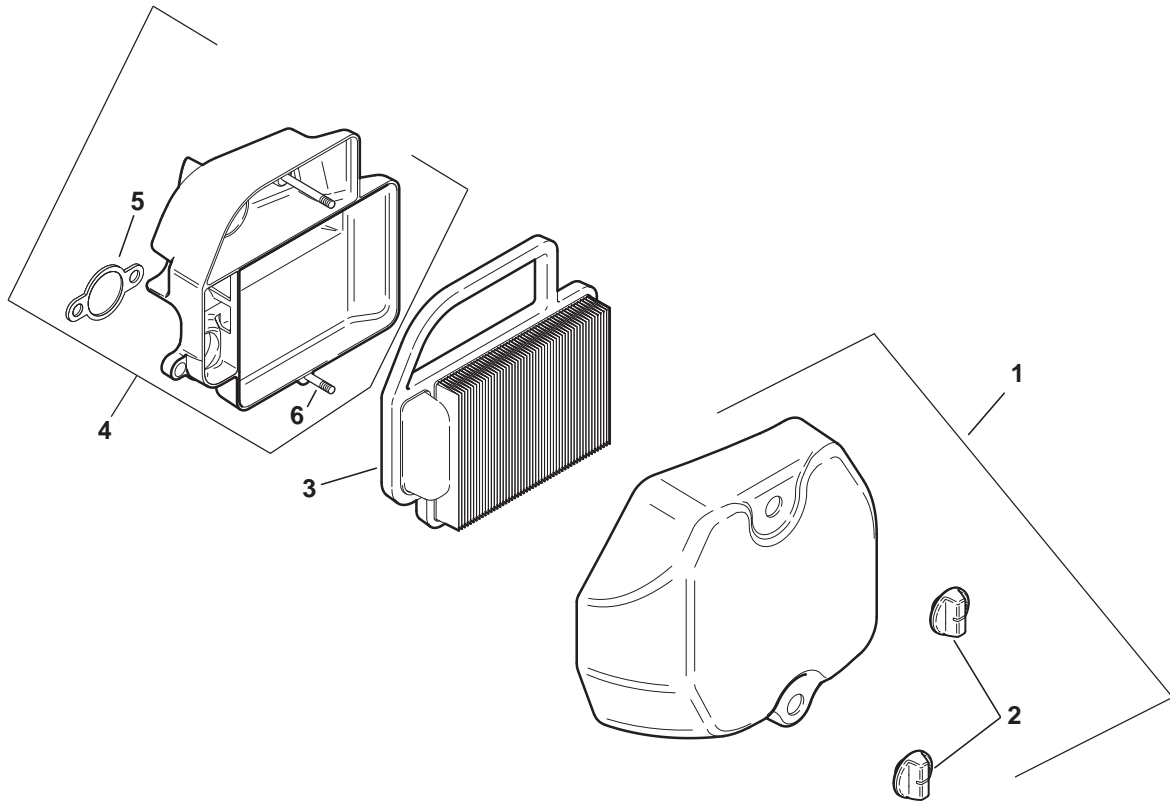
|                |                                |
|----------------|--------------------------------|
| 544 93 71-01 1 | Tie                            |
| 531 02 96-06 1 | Washer, int tooth lock 1/4"    |
| 510 43 99-01 1 | Screw, thrd frm m4x0.7x10      |
| 531 02 97-83 1 | Clip, cable                    |
| 510 44 01-01 1 | Kit, repair choke              |
| 531 02 96-07 1 | Kit, repair float              |
| 531 02 96-08 1 | Kit, repair carburetor         |
| 531 02 96-09 1 | Kit, repair solenoid           |
| 531 02 96-10 1 | Kit, repair bowl replacement   |
| 544 36 89-01 1 | Kit, high altitude (5,000 ft)  |
| 510 44 04-01 1 | Kit, high altitude (10,000 ft) |

## ENGINE CONTROLS

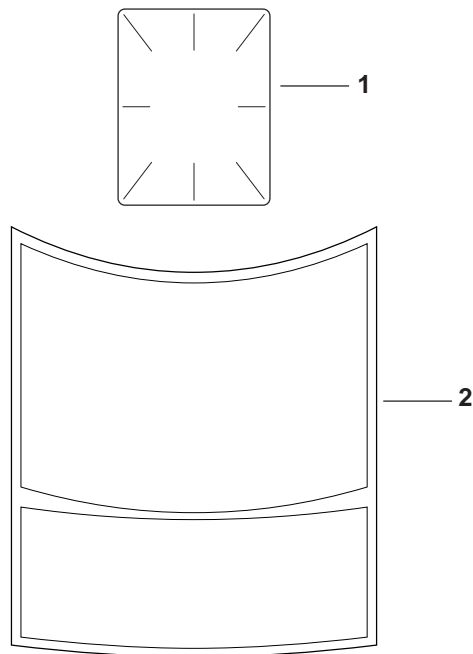
| KEY NO. | PART NO.       | DESCRIPTION                                     |
|---------|----------------|---|
| 1       | 531 02 98-79 1 | Kit, speed control assembly (includes 2,3, 6-9) |
| 2       | 531 02 96-18 1 | Screw, phl thd frm m4x0.7x25                    |
| 3       | 531 02 96-17 1 | Spring, speed control (short)                   |
| 4       | 531 02 96-13 1 | Clamp, cable                                    |
| 5       | 531 02 96-14 1 | Screw, lbd thd frm m5x0.8x16                    |
| 6       | 531 02 96-15 2 | Screw, lbd skt m6x1.0x20                        |
| 7       | 531 02 96-17 2 | Spring, speed control (short)                   |
| 8       | 531 02 96-18 2 | Screw, phl thd frm m4x0.7x25                    |
| 9       | 531 02 96-23 1 | Spring, governor                                |
| 10      | 531 02 96-19 1 | Lever, governor                                 |
| 11      | 531 02 96-20 1 | Bolt, rd hd sq nck 1/4-20x1"                    |
| 12      | 531 02 96-06 1 | Washer, int tooth lock 1/4"                     |
| 13      | 531 02 96-22 1 | Nut, hex flg 1/4-20"                            |
| 14      | 531 02 96-24 1 | Bushing, throttle linkage                       |
| 15      | 531 02 96-25 1 | Linkage, throttle                               |
| 16      | 531 02 96-26 1 | Bushing, linkage retaining                      |
| 17      | 531 02 98-96 1 | Spring, linkage                                 |
| 18      | 531 02 96-16 1 | Linkage, choke                                  |

# KOHLER ENGINE - MODEL NO. SV530, TYPE NO.0034

## AIR INTAKE / FILTRATION



## DECALS



Artwork is representative.  
Actual labels may differ depending on model and specification number.

# KOHLER ENGINE - MODEL NO. SV530, TYPE NO.0034

## AIR INTAKE/FILTRATION

| KEY NO. | PART NO.       | DESCRIPTION                          |
|---------|----------------|--------------------------------------|
| 1       | 531 02 97-25 1 | Kit,air cleaner cover (includes 2)   |
| 2       | 531 02 98-38 2 | Knob, cover                          |
| 3       | 531 02 95-01 1 | Element, air cleaner                 |
| 4       | 531 02 96-29 1 | Kit, air cleaner base (includes 5,6) |
| 5       | 531 02 96-00 1 | Gasket, air cleaner base             |
| 6       | 504 57 76-01 2 | Stud, air cleaner base               |

## DECALS

| KEY NO. | PART NO.       | DESCRIPTION           |
|---------|----------------|-----------------------|
| 1       | 531 02 98-42 1 | Decal, clear laminate |
| 2       | 531 02 97-57 1 | Decal, 17hp           |