



Kohler 18 hp

Spare parts

Ersatzteile

Pièces détachées

Reserve onderdelen

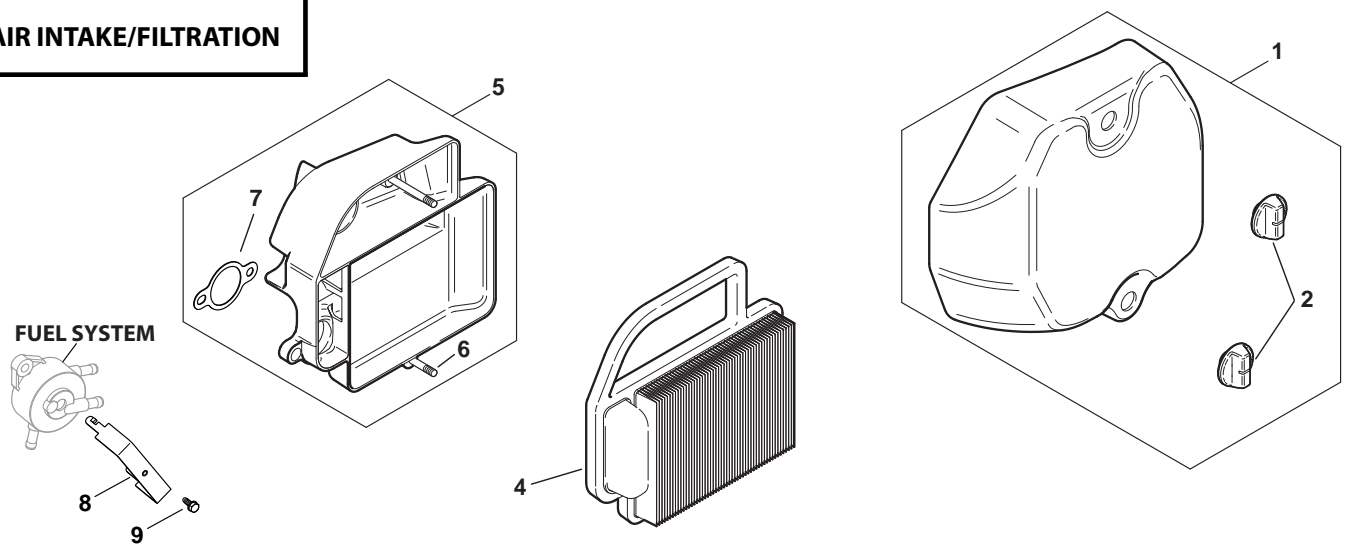
Repuestos

Reservdelar

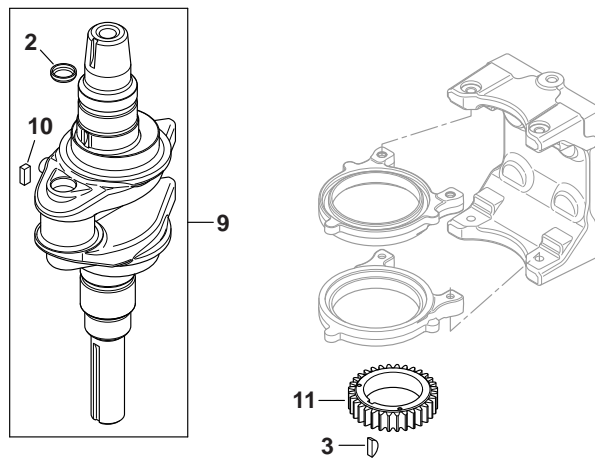
KOHLER ENGINE - MODEL NO. SV540, TYPE NO.0025

AIR INTAKE/FILTRATION

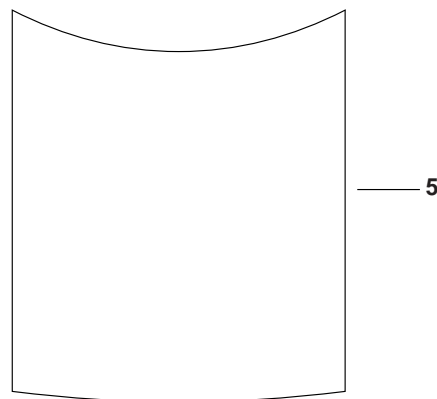
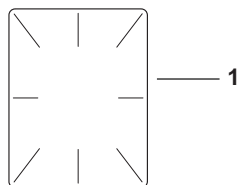
FUEL SYSTEM



CRANKSHAFT



DECALS



Artwork is representative.
Actual labels may differ depending on model and specification number.

KOHLER ENGINE - MODEL NO. SV540, TYPE NO.0025

AIR INTAKE/FILTRATION

KEY PART NO. NO.	DESCRIPTION
1 531 02 97-25	1 Kit, Air Cleaner Cover (Includes 2)
2 531 02 98-38	2 Knob, Cover
4 531 02 95-01	1 Element, Air Cleaner
5 531 02 96-29	1 Kit, Air Cleaner Base (Includes 6,7)
6 504 57 76-01	2 Stud, Air Cleaner Base
7 531 02 96-00	1 Gasket, Air Cleaner Base
8 510 43 93 01	1 Bracket, Fuel Pump
9 510 43 99-01	1 Screw, Thrd Frm M4x0.7x10

CRANKSHAFT

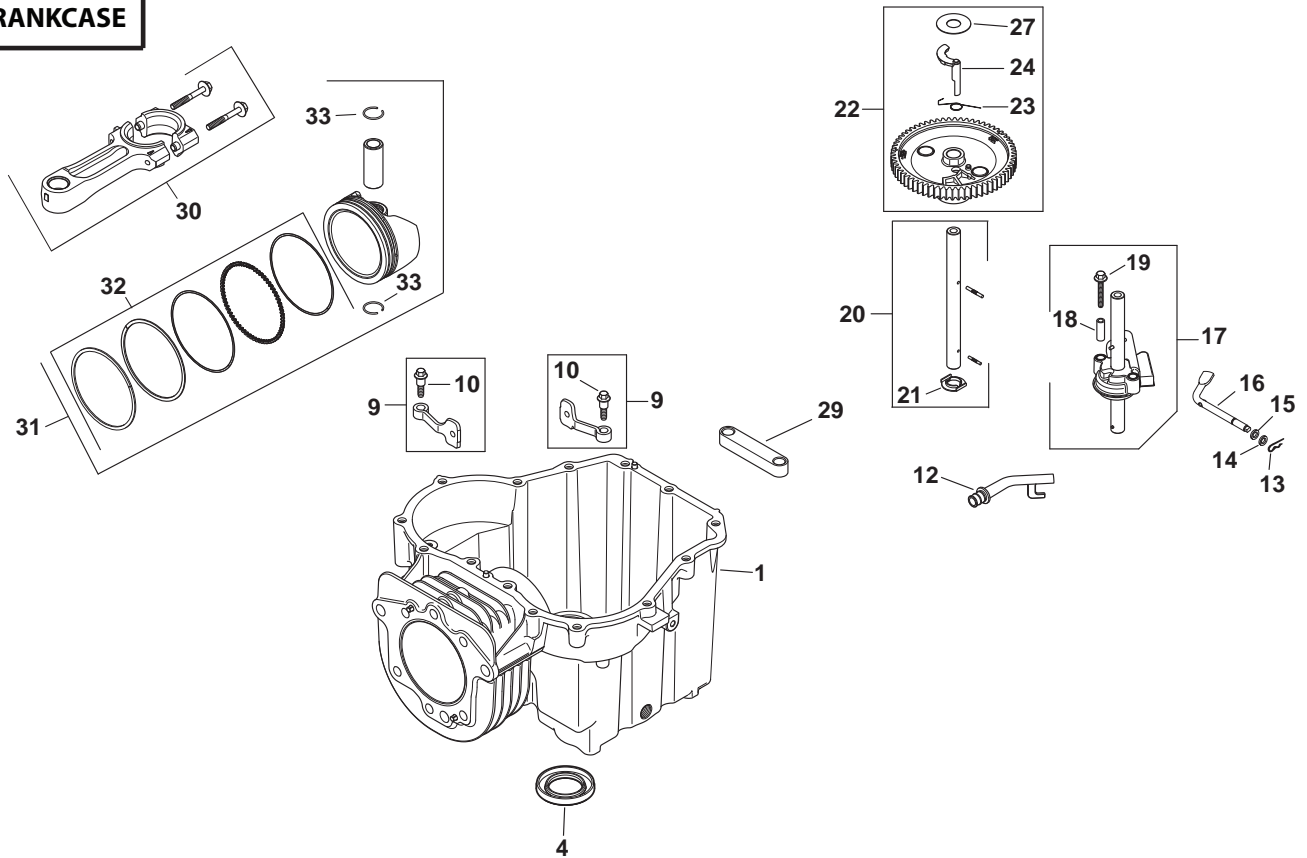
KEY PART NO. NO.	DESCRIPTION
2 523 06 02-01	1 Plug, Cup
3 531 02 95-11	1 Key, 3/16" X 5/8"
9 531 02 95-52	1 Kit, Crankshaft (Includes 2, 10)
10 510 43 92-01	1 Key, Straight Flywheel
11 531 02 95-12	1 Gear, Crankshaft

DECALS

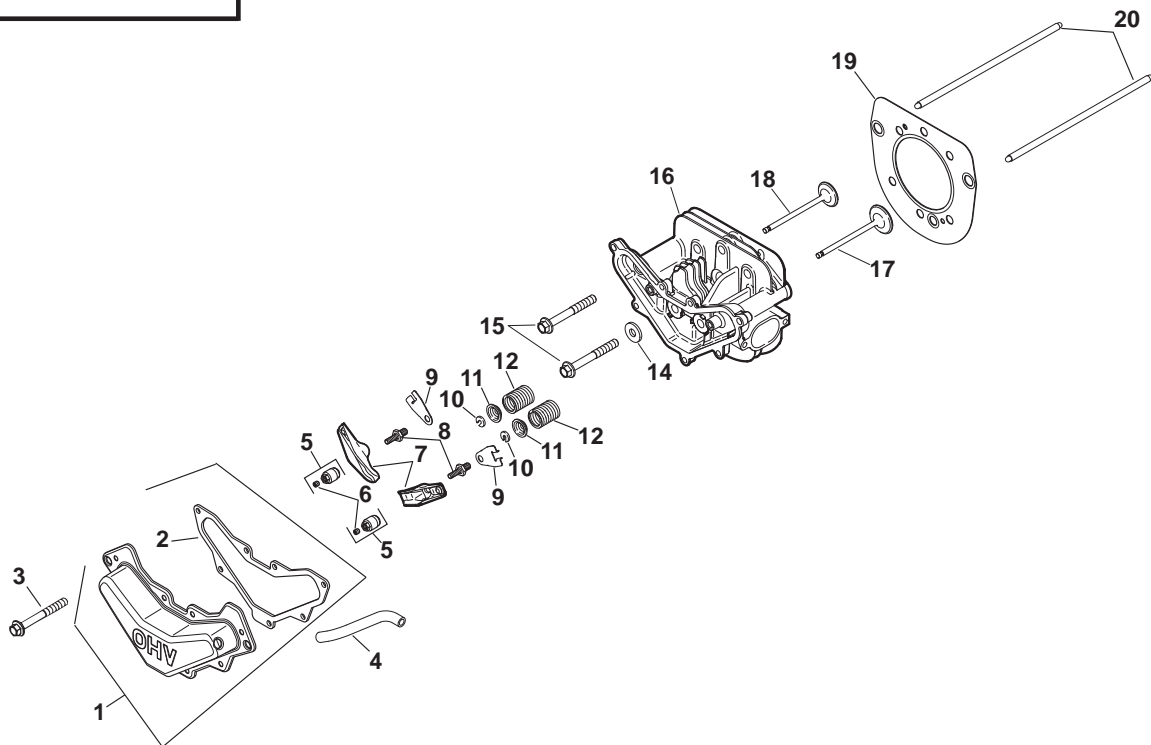
KEY PART NO. NO.	DESCRIPTION
1 531 02 98-42	1 Decal, Clear Laminate
5 531 02 98-66	1 Decal, 18hp

KOHLER ENGINE - MODEL NO. SV540, TYPE NO.0025

CRANKCASE



HEAD/VALVE/BREATHER



KOHLER ENGINE - MODEL NO. SV540, TYPE NO.0025

CRANKCASE

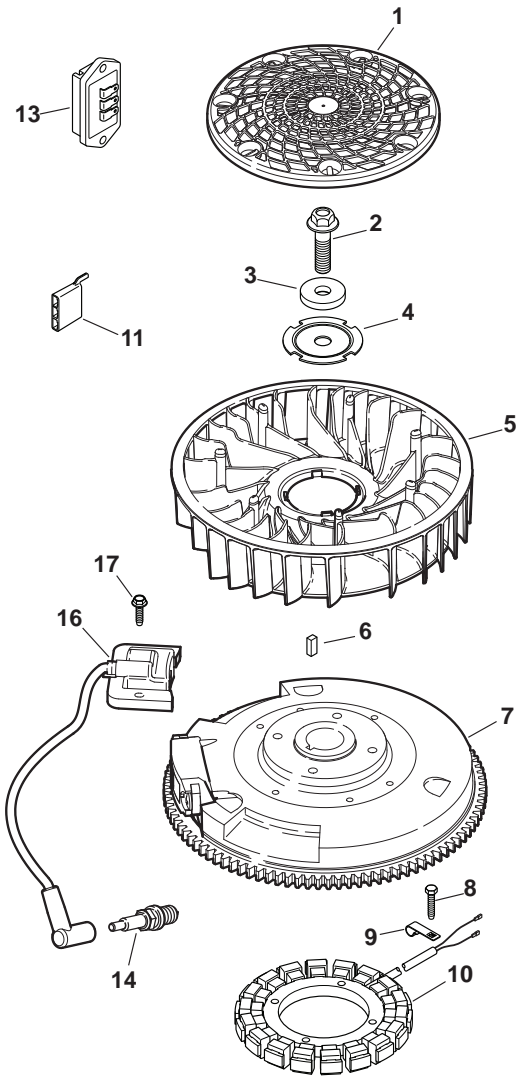
KEY NO.	PART NO.	DESCRIPTION
1		1 Crankcase (Use Short Block)
4	531 02 95-14	1 Seal, Oil
9	531 02 95-33	2 Kit, Cam Lever Assembly (Includes 10)
10	531 02 95-34	2 Screw, Shd Thd Frm M6x1x26
12	531 02 98-85	1 Tube, Drainback
13	531 02 95-23	1 Clip, Hitch Pin
14	531 02 95-24	1 Washer, Flat 6 Mm
15	531 02 95-39	1 Washer, Flat 1/4"
16	531 02 95-25	1 Shaft, Governor Cross
17	531 02 98-39	1 Kit, Oil Pump Assembly (Includes 11,18,19)
18	531 02 95-27	2 Spacer, Oil Pump Screw
19	531 02 95-28	2 Screw, Oil Pump
20	531 02 98-77	1 Kit,Cam CEnter Shaft (Exhaust) (Includes 21)
21	531 02 95-32	1 Washer, Thrust
22	531 02 95-35	1 Kit, Camshaft Assembly (Includes 23-25)
23	531 02 95-36	1 Spring, Acr
24	531 02 95-37	1 Weight, Acr
27	531 02 95-38	1 Washer, Thrust -Acr
29	504 57 79-01	1 Linkage, Balance Weight
30	523 06 03-01	1 Rod, Connecting
31	531 02 95-77	1 Kit, Piston W/Ring Set (89mm) (Includes 32,33)
32	531 02 96-86	1 Ring Set (89mm)
33	531 02 95-19	2 Retainer, Piston Pin
Not Illustrated		
	531 02 95-21	Kit, Guide Pin (Includes Shoulder Screw, Guide Pins & Tt-5196)

HEAD/VALVE/BREATHER

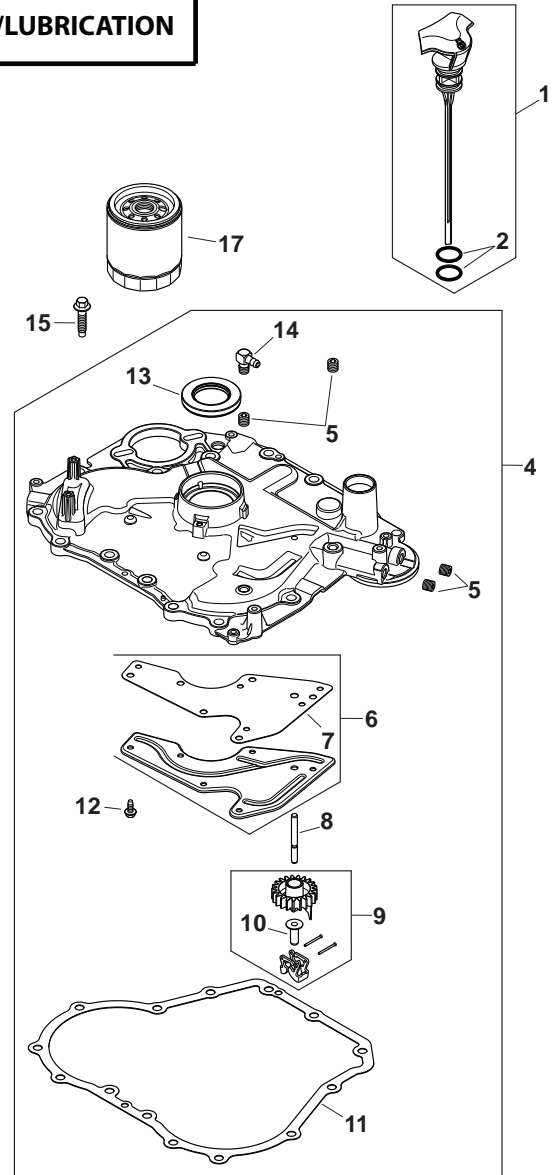
KEY NO.	PART NO.	DESCRIPTION
1	531 02 98-78	1 Kit, Valve Cover (Includes 2)
2	531 02 95-54	1 Gasket, Valve Cover
3	531 02 95-55	7 Screw, Flg Thd Frm M6x1.0x20
4	531 02 95-56	1 Hose, Breather
5	531 02 95-57	2 Rocker Pivot Assembly
6	531 02 95-58	2 Screw, Set
7	531 02 95-59	2 Arm, Rocker
8	510 43 90-01	2 Stud, Rocker
9	531 02 95-61	2 Plate, Push Rod Guide
10	531 02 95-62	2 Lock, Retainer
11	531 02 95-63	2 Cap, Valve Spring
12	531 02 95-64	2 Spring, Valve
14	531 02 95-66	1 Washer, Flat 13/32"
15	531 02 95-65	6 Screw, Flg M10x1.5x80
16	525 45 36-01	1 Kit, Cylinder Head
17	531 02 95-68	1 Valve, Exhaust
18	531 02 95-69	1 Valve, Intake
19	531 02 96-90	1 "Kit, Cylinder Head Gasket (Includes 2,13,14,12 041 01-S, 12 041 02-S, 20 041 12-S, 20 041 18-S 20 041 17-S, 25 086 87-S & X-21-1-S)"
20	531 02 95-71	2 Rod, Push
Not Illustrated		
	531 02 95-99	1 Gasket, Carburetor
	531 02 96-00	1 Gasket, Air Cleaner Base
	531 02 96-32	1 Gasket, Exhaust
	504 57 75-01	1 Gasket, Heat Deflector
	531 02 95-95	1 Gasket, Heat Deflector
	525 45 25-01	2 Screw, Hex SoCket Head Cap
	525 45 26-01	2 Washer, Spring Lock 5/16"

KOHLER ENGINE - MODEL NO. SV540, TYPE NO.0025

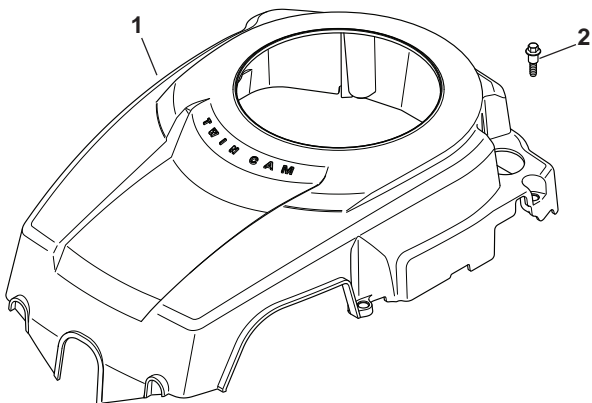
IGNITION/ELECTRICAL



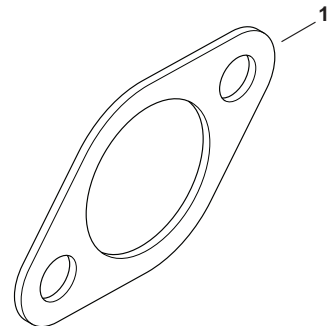
OIL PAN/LUBRICATION



BLOWER HOUSING & BAFFLES



ACCESSORIES



KOHLER ENGINE - MODEL NO. SV540, TYPE NO.0025

Ignition/Electrical

KEY NO.	PART NO.	DESCRIPTION
1	531 02 95-72 1	Screen, Grass
2	504 57 86-01 1	Screw, Hex Flange
3	504 58 05-01 1	Washer, Flat
4	544 93 68-01 1	Plate, Fan Mounting
5	531 02 95-76 1	Fan
6	510 43 92-01 1	Key, Straight Flywheel
7	510 43 91-01 1	Flywheel
8	531 02 95-81 2	Screw, Thd Frm M5x0.8x25
9	504 57 78-01 1	Clip, Wire
10	531 02 95-82 1	Kit, 15 Amp Stator (Includes 25 452 01-S)
11	523 06 06-01 1	Connector
13	504 57 71-01 1	Regulator/Rectifier
14	531 02 99-75 1	Spark Plug, Rfi
16	531 02 95-87 1	Module, Ignition (Cdi Fixed)
17	531 02 95-84 2	Screw, Flg Thd Frm M5x.8x20
Not Illustrated		
	523 06 07-01 1	Harness, Wiring
	544 93 71-01 1	Tie

Blower Housing & Baffles

KEY NO.	PART NO.	DESCRIPTION
1	531 02 95-89 1	Kit, Blower Housing (Includes 41 037 10-S)
2	531 02 95-34 4	Screw, Shd Thd Frm M6x1x26
Not Illustrated		
	531 02 99-27 1	Nameplate, Service

Oil Pan/Lubrication

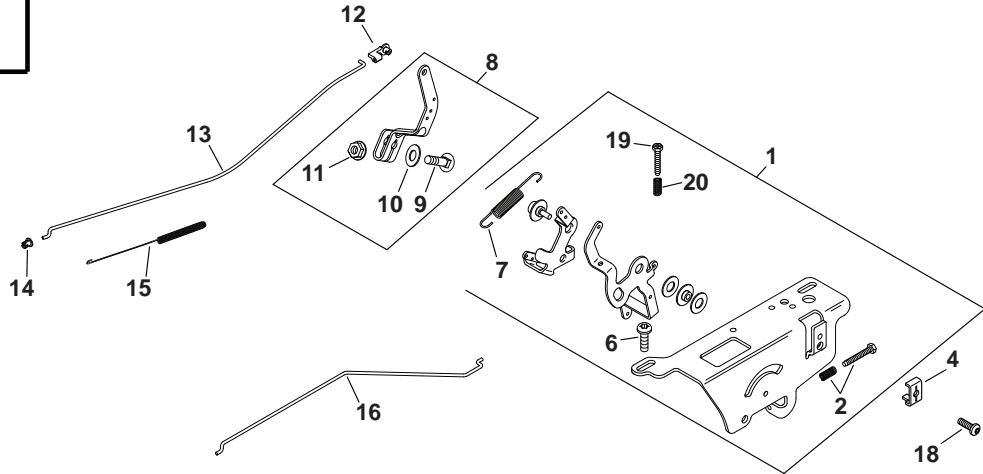
KEY NO.	PART NO.	DESCRIPTION
1	510 44 22-01 1	Dipstick Assembly-Std Yellow (Includes 2)
2	531 02 95-41 2	O-Ring
4	504 57 73-01 1	Closure Plate Assembly (Includes 5-14)
5	531 02 95-43 4	Plug, Ctsk Pipe 1/8"
6	531 02 95-45 1	Kit, Oil Passage Cover (Includes 7)
7	531 02 95-46 1	Gasket, Oil Passage
8	531 02 95-47 1	Shaft, Governor Cross
9	531 02 95-48 1	Governor Gear Assembly (Includes 10)
10	531 02 95-49 1	Pin, Governor Regulating
11	531 02 95-44 1	Gasket, Closure Plate
12	531 02 95-50 6	Screw, Flg Thd Frm M5x0.8x13
13	531 02 95-14 1	Seal, Oil
14	531 02 98-73 1	Connector, 90° Hose
15	504 58 04-01 14	Hex Flange Screw, 1/2 Dog Point
17	531 02 95-03 1	Filter, Oil

Accessories

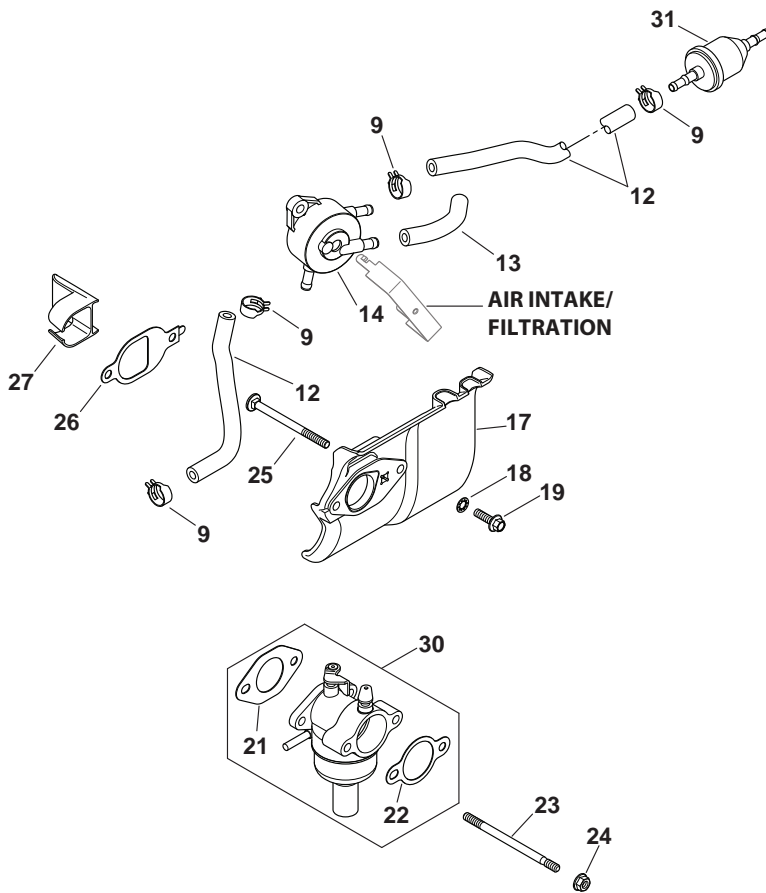
KEY NO.	PART NO.	DESCRIPTION
1	531 02 96-32 1	Gasket, Exhaust

KOHLER ENGINE - MODEL NO. SV540, TYPE NO.0025

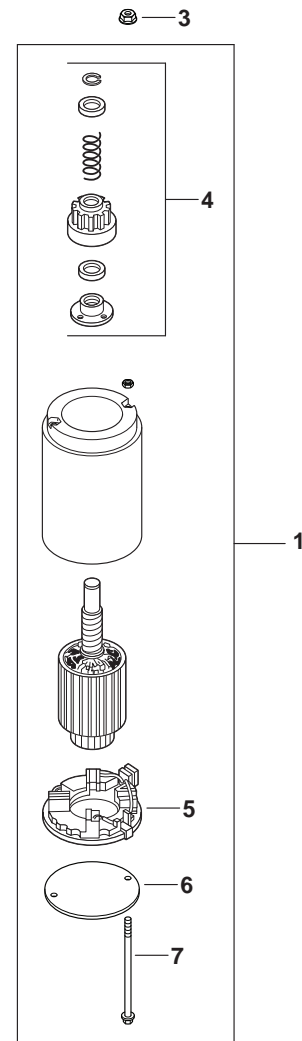
ENGINE CONTROLS



FUEL SYSTEM



STARTING SYSTEM



KOHLER ENGINE - MODEL NO. SV540, TYPE NO.0025

Engine Controls

KEY NO.	PART NO.	DESCRIPTION
1	531 02 98-79 1	Kit, Speed Control Assembly (Includes 2,3,6 [Qty.1],7,17,19,20)
2	525 45 28-01 1	Kit, Idle Adj Screw & Spring
4	531 02 96-13 1	Clamp, Cable
6	531 02 96-15 2	Screw, Lbd Skt M6x1.0x20
7	531 02 96-23 1	Spring, Governor
8	531 02 96-19 1	Lever, Governor Assembly (Includes 9-11)
9	531 02 96-20 1	Bolt, Rd Hd Sq Nck 1/4-20x1"
10	531 02 96-06 1	Washer, Int Tooth Lock 1/4"
11	531 02 96-22 1	Nut, Hex Flg 1/4-20"
12	531 02 96-24 1	Bushing, Throttle Linkage
13	531 02 96-25 1	Linkage, ThrOttle
14	531 02 96-26 1	Bushing, Linkage Retaining
15	531 02 98-96 1	Spring, Linkage
16	531 02 96-16 1	Linkage, Choke
18	531 02 96-14 1	Screw, Lbd Thd Frm M5x0.8x16
19	531 02 96-18 1	Screw, Phl Thd Frm M4x0.7x25
20	531 02 96-17 1	Spring, Speed Control (Short)

Fuel System

KEY NO.	PART NO.	DESCRIPTION
9	531 02 96-04 2	Clamp, Hose
12	531 02 99-87 1	Line, Fuel (24"-Cut To Length)
17	523 06 08-01 1	Kit, Heat Deflector
18	531 02 96-06 1	Washer, Int Tooth Lock 1/4"
19	531 02 95-97 1	Screw, Flg M6x1.0x20
21	531 02 95-99 1	Gasket, Carburetor
22	531 02 96-00 1	Gasket, Air Cleaner Base
23	531 02 96-01 2	Stud, M6x1.0x100
24	531 02 96-02 2	Nut, Flg M6x1.0
26	504 57 75-01 1	Gasket, Heat Deflector
27	544 93 69-01 1	Insert, Intake Port
30	531 02 99-41 1	Kit, Carburetor (Includes 21,22)
31	531 02 95-02 1	Filter, Fuel
Not Illustrated		
	544 93 71-01 1	Tie
	510 44 04-01 1	Kit,High Alt(5000 Or 10000 Ft)
	510 44 01-01 1	Kit, Repair Choke
	531 02 96-07 1	Kit, Repair Float
	531 02 96-08 1	Kit, Repair Carburetor
	531 02 96-09 1	Kit, Repair Solenoid
	531 02 96-10 1	Kit, Repair Bowl Replacement
	544 36 89-01 1	Kit, High Altitude (10,000 Ft)

Starting System

KEY NO.	PART NO.	DESCRIPTION
1	531 02 95-93 1	Starter Assembly
3	531 02 95-94 2	Nut, Free Spinning Flg #10-24
4	504 57 85-01 1	Kit, Drive (J.E.)
5	504 57 72-01 1	Brush Kit
6	504 57 82-01 1	Cap, Drive End (J.E.)
7	504 57 80-01 1	Bolt, Thru