

Kohler 18 hp

Spare parts

Ersatzteile

Pièces détachées

Reserve onderdelen

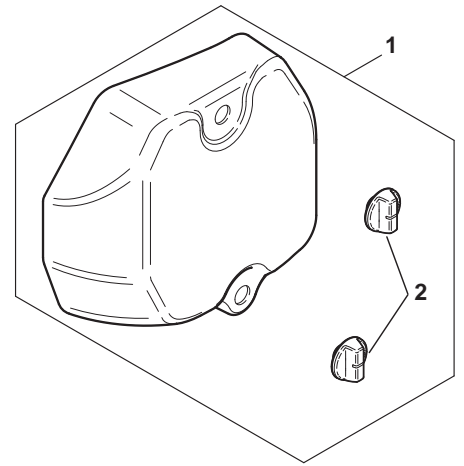
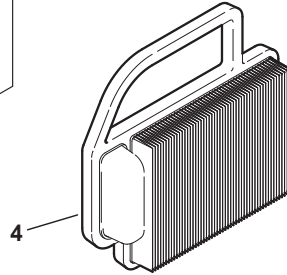
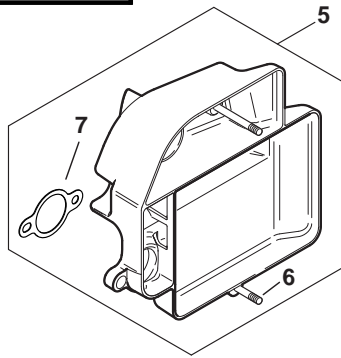
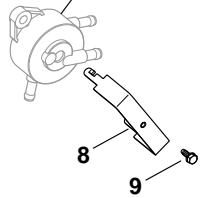
Repuestos

Reservdelar

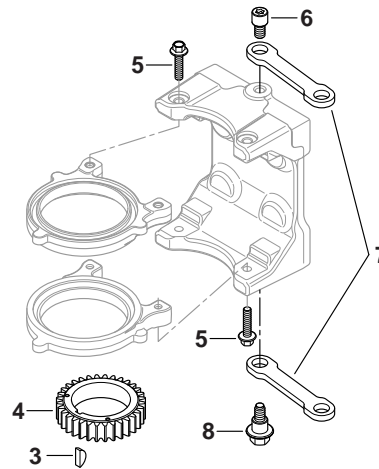
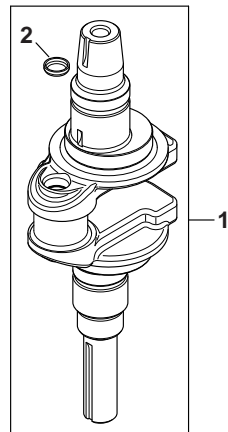
KOHLER ENGINE - MODEL NO. SV540, TYPE NO.0213

AIR INTAKE/FILTRATION

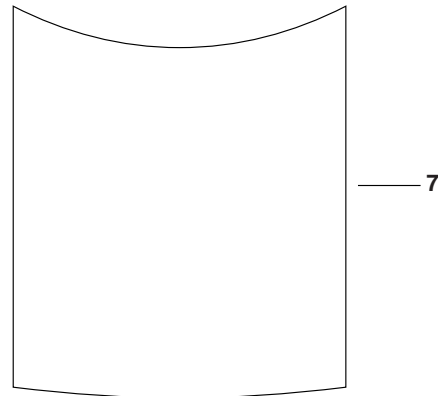
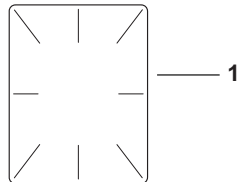
FUEL SYSTEM



CRANKSHAFT



DECALS



Artwork is representative.
Actual labels may differ depending on model and specification number.

KOHLER ENGINE - MODEL NO. SV540, TYPE NO.0213

AIR INTAKE/FILTRATION

KEY PART NO.	PART NO.	DESCRIPTION
1	531 02 97-25	1 Kit, Air Cleaner Cover (Includes 2)
2	531 02 98-38	2 Knob, Cover
4	531 02 95-01	1 Element, Air Cleaner
5	531 02 96-29	1 Kit, Air Cleaner Base (Includes 6,7)
6	504 57 76-01	2 Stud, Air Cleaner Base
7	531 02 96-00	1 Gasket, Air Cleaner Base
8	510 43 93 01	1 Bracket, Fuel Pump
9	510 43 99-01	1 Screw, Thrd Frm M4x0.7x10

CRANKSHAFT

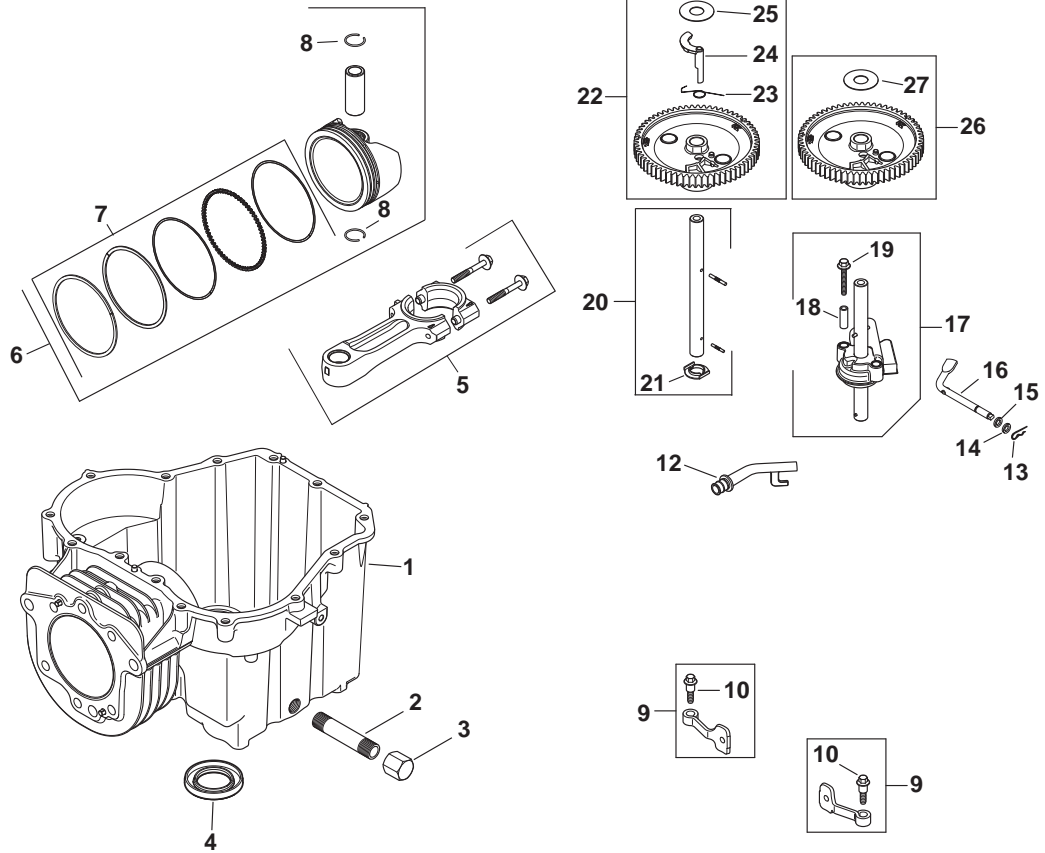
KEY PART NO.	PART NO.	DESCRIPTION
1	525 45 10-01	1 Kit, Crankshaft Assembly (Includes 2)
2	523 06 02-01	1 Plug, Cup
3	531 02 95-11	1 Key, 3/16" X 5/8"
4	525 45 30-01	1 Gear, Crankshaft
5	525 45 31-01	4 Screw, Flg M6x1.0x25
6	525 45 32-01	1 Screw, Link Pivot
7	525 45 33-01	1 Linkage, Balance Weight
8	525 45 34-01	1 Screw, Shoulder

DECALS

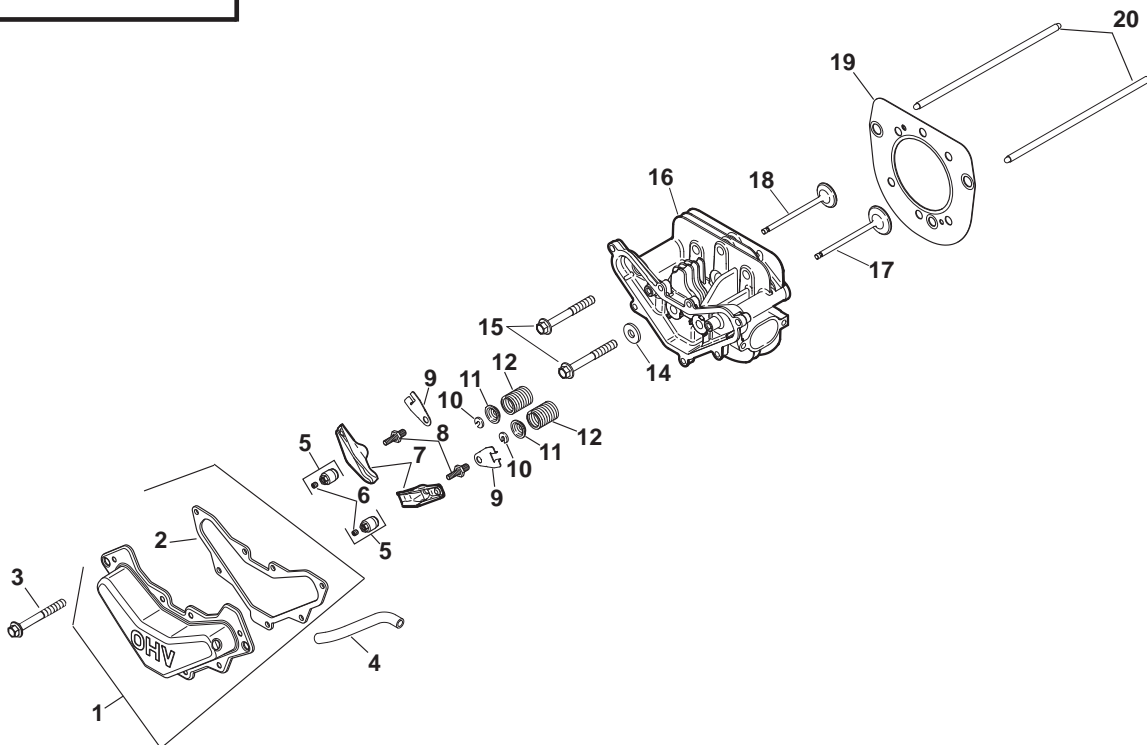
KEY PART NO.	PART NO.	DESCRIPTION
1	531 02 98-42	1 Decal, Clear Laminate
7	525 45 38-01	1 Decal - 17hp

KOHLER ENGINE - MODEL NO. SV540, TYPE NO.0213

CRANKCASE



HEAD/VALVE/BREATHER



KOHLER ENGINE - MODEL NO. SV540, TYPE NO.0213

CRANKCASE

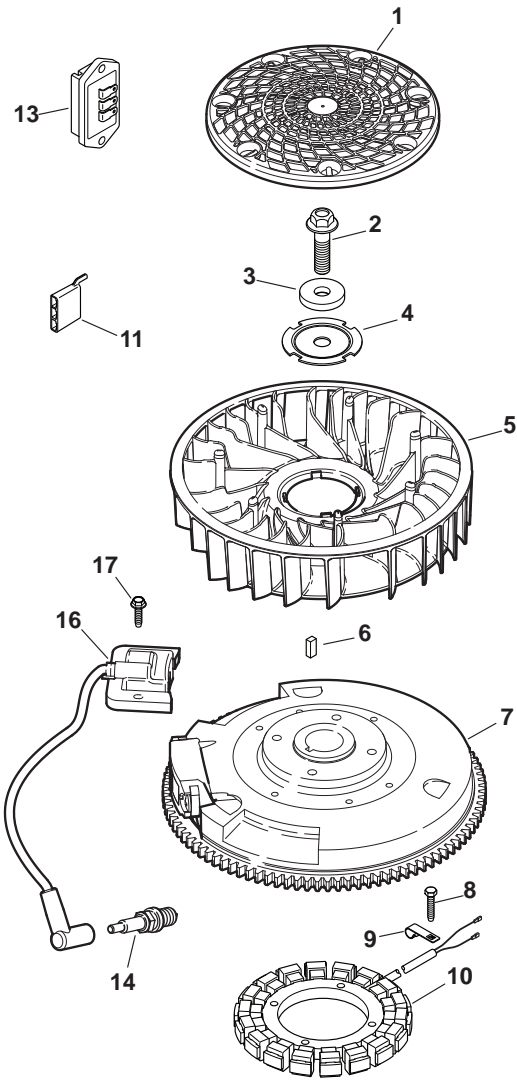
KEY NO.	PART NO.	DESCRIPTION
1		1 Crankcase (Use: Short Block)
4	531 02 95-14	1 Seal, Oil
5	525 45 11-01	1 Rod, Connecting Assembly
6	525 45 12-01	1 Kit, Piston W/Ring Set (94mm) (Includes 7,8)
7	525 45 13-01	1 Ring Set (94mm)
8	525 45 14-01	2 Retainer, Piston Pin
9	531 02 95-33	2 Kit, Cam Lever Assembly (Includes 10)
10	531 02 95-34	2 Screw, Shd Thd Frm M6x1x26
12	531 02 98-85	1 Tube, Drainback
13	531 02 95-23	1 Clip, Hitch Pin
14	531 02 95-24	1 Washer, Flat 6 Mm
15	531 02 95-39	1 Washer, Flat 1/4"
16	531 02 95-25	1 Shaft, GoverNor Cross
17	531 02 98-39	1 Kit, Oil Pump Assembly (Includes 11,18,19)
18	531 02 95-27	2 Spacer, Oil Pump Screw
19	531 02 95-28	2 Screw, Oil Pump
20	531 02 98-77	1 Kit,Cam Center Shaft (Exhaust) (Includes 21)
21	531 02 95-32	1 Washer, Thrust
22	531 02 95-35	2 Kit, Camshaft Assembly (Includes 23-25)
23	531 02 95-36	1 Spring, Acr
24	531 02 95-37	1 Weight, Acr
25	531 02 95-38	1 Washer, Thrust -Acr
26	531 02 95-35	1 Kit, Camshaft Assembly (Includes 27)
27	531 02 95-38	1 Washer, Thrust -Acr

Head/Valve/Breather

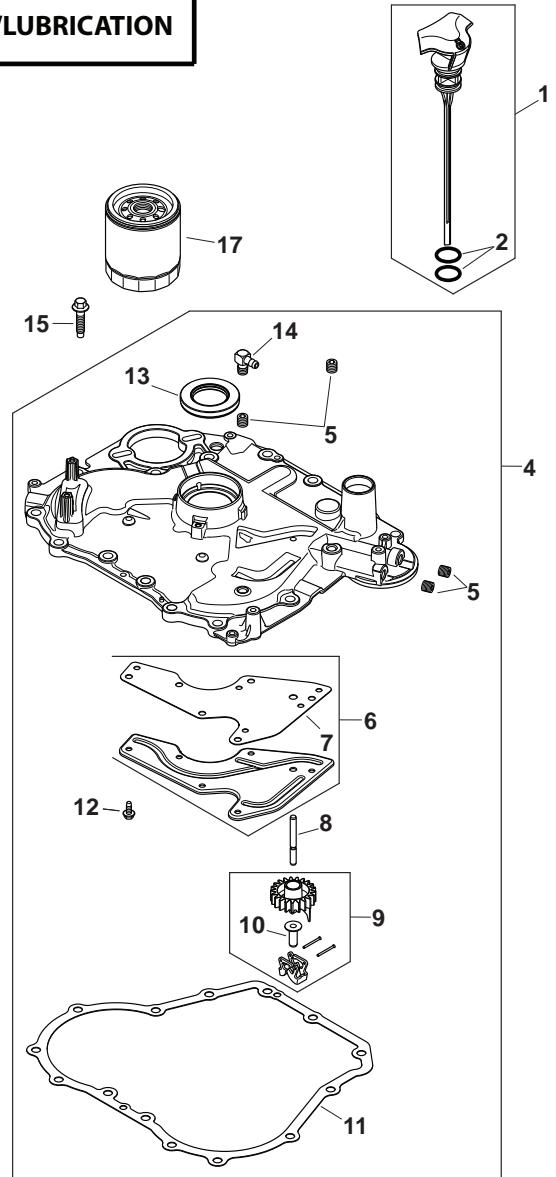
Key No.	Part No.	Description
1	531 02 98-78	1 Kit, Valve Cover (Includes 2)
2	531 02 95-54	1 Gasket, Valve Cover
3	531 02 95-55	7 Screw, Flg Thd Frm M6x1.0x20
4	531 02 95-56	1 Hose, Breather
5	531 02 95-57	2 Rocker Pivot Assembly
6	531 02 95-58	2 Screw, Set
7	531 02 95-59	2 Arm, Rocker
8	510 43 90-01	2 Stud, Rocker
9	531 02 95-61	2 Plate, Push Rod Guide
10	531 02 95-62	2 Lock, Retainer
11	531 02 95-63	2 Cap, Valve Spring
12	531 02 95-64	2 SpRing, Valve
14	531 02 95-66	1 Washer, Flat 13/32"
15	531 02 95-65	6 Screw, Flg M10x1.5x80
16	525 45 36-01	1 Kit, Cylinder Head
17	531 02 95-68	1 Valve, Exhaust
18	531 02 95-69	1 Valve, Intake
19	531 02 96-90	1 "Kit, Cylinder Head Gasket (Includes 2,13,14,12 041 01-S, 12 041 02-S, 20 041 12-S, 20 041 18-S 20 041 17-S, 25 086 87-S & X-21-1-S)"
20	531 02 95-71	2 Rod, Push
Not Illustrated		
	531 02 95-99	1 Gasket, Carburetor
	531 02 96-00	1 Gasket, Air Cleaner Base
	531 02 96-32	1 Gasket, Exhaust
	504 57 75-01	1 Gasket, Heat Deflector
	531 02 95-95	1 Gasket, Heat Deflector
	525 45 25-01	2 Screw, Hex Socket Head Cap
	525 45 26-01	2 Washer, Spring Lock 5/16"

KOHLER ENGINE - MODEL NO. SV540, TYPE NO.0213

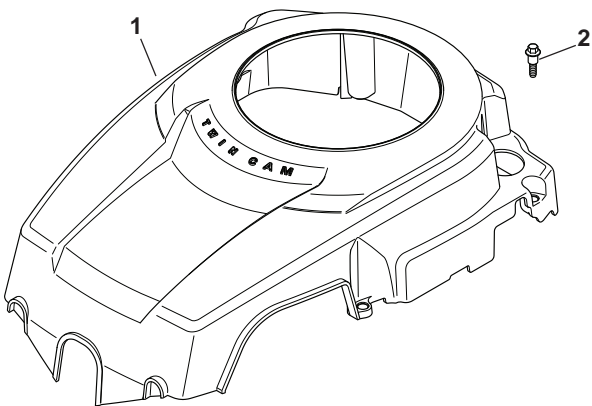
IGNITION/ELECTRICAL



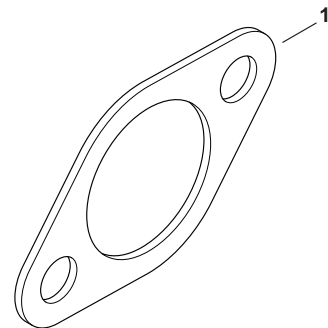
OIL PAN/LUBRICATION



BLOWER HOUSING & BAFFLES



ACCESSORIES



KOHLER ENGINE - MODEL NO. SV540, TYPE NO.0213

IGNITION/ELECTRICAL

KEY PART NO.	PART NO.	DESCRIPTION
1	531 02 95-72	1 Screen, Grass
2	504 57 86-01	1 Screw, Hex Flange
3	504 58 05-01	1 Washer, Flat
4	544 93 68-01	1 Plate, Fan Mounting
5	531 02 95-76	1 Fan
6	510 43 92-01	1 Key, Straight Flywheel
7	510 43 91-01	1 Flywheel
8	20 086 22-S	2 Screw, Thd Frm M5x0.8x25
9	504 57 78-01	1 Clip, Wire
10	531 02 95-82	1 Kit, 15 Amp Stator (Includes 25 452 01-S)
11	523 06 06-01	1 Connector
13	504 57 71-01	1 Regulator/Rectifier
14	531 02 99-75	1 Spark Plug, Rfi
16	531 02 95-87	1 Module, Ignition (Cdi Fixed)
17	531 02 95-84	2 Screw, Flg Thd Frm M5x.8x20
Not Illustrated		
	523 06 07-01	1 Harness, Wiring
	544 93 71-01	1 Tie

Blower Housing & Baffles

Key Part No.	Part No.	Description
1	531 02 95-89	1 Kit, Blower Housing (Includes 41 037 10-S)
2	531 02 95-34	4 Screw, Shd Thd Frm M6x1x26

Oil Pan/Lubrication

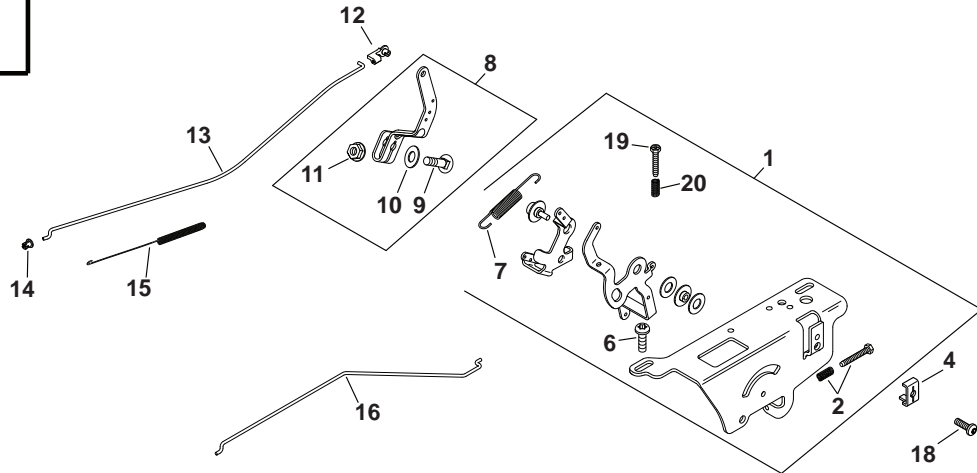
Key Part No.	Part No.	Description
1	510 44 22-01	1 Dipstick Assembly-Std Yellow (Includes 2)
2	531 02 95-41	2 O-Ring
4	504 57 73-01	1 Closure Plate Assembly(Includes 5-14)
5	531 02 95-43	4 Plug, Ctsk Pipe 1/8"
6	531 02 95-45	1 Kit, Oil Passage Cover (Includes 7)
7	531 02 95-46	1 Gasket, Oil Passage
8	531 02 95-47	1 Shaft, Governor Cross
9	531 02 95-48	1 Governor Gear Assembly (Includes 10)
10	531 02 95-49	1 Pin, Governor Regulating
11	531 02 95-44	1 Gasket, Closure Plate
12	531 02 95-50	6 Screw, Flg Thd Frm M5x0.8x13
13	531 02 95-14	1 Seal, Oil
14	531 02 98-73	1 Connector, 90° Hose
15	504 58 04-01	14 Hex Flange Screw,1/2 Dogpoint
17	531 02 95-03	1 Filter, Oil

Accessories

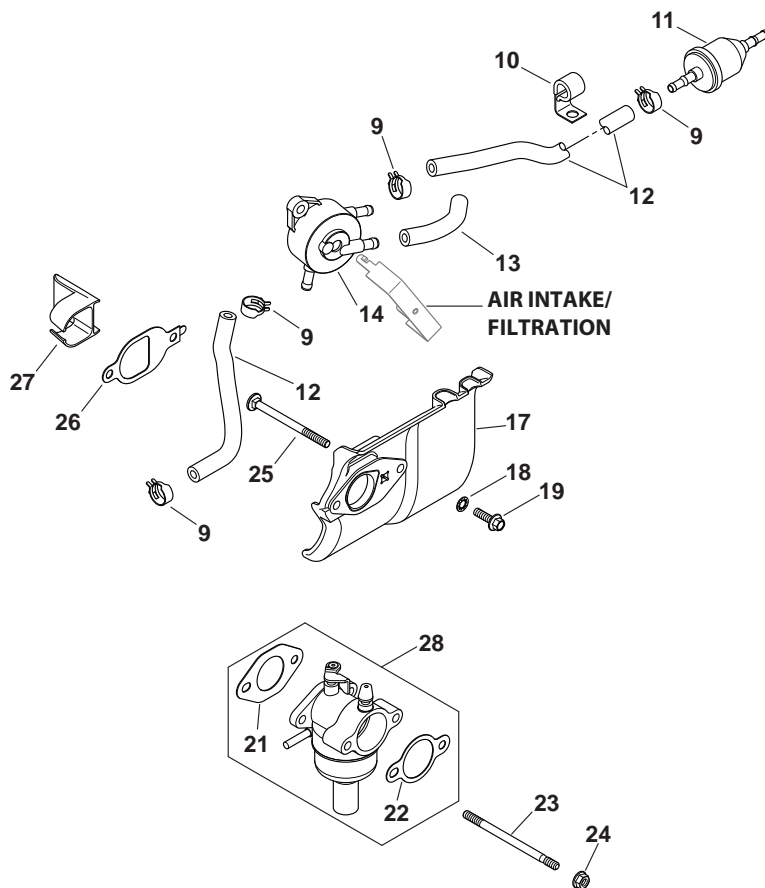
Key Part No.	Part No.	Description
1	531 02 96-32	1 Gasket, Exhaust

KOHLER ENGINE - MODEL NO. SV540, TYPE NO.0213

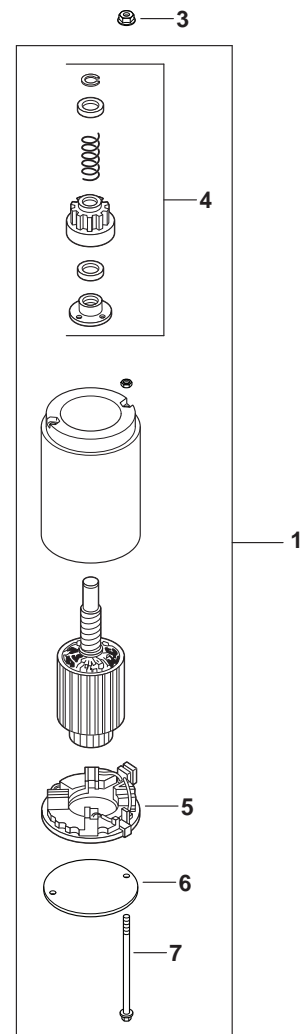
ENGINE CONTROLS



FUEL SYSTEM



STARTING SYSTEM



KOHLER ENGINE - MODEL NO. SV540, TYPE NO.0213

ENGINE CONTROLS

KEY PART NO. NO.	DESCRIPTION
1 531 02 98-79	1 Kit, Speed Control Assembly (Includes 2,3,6 [Qty.1],7,17,19,20)
2 525 45 28-01	1 Kit, Idle Adj Screw & Spring
4 531 02 96-13	1 Clamp, Cable
6 531 02 96-15	2 Screw, Lbd Skt M6x1.0x20
7 531 02 96-23	1 Spring, Governor
8 531 02 96-19	1 Lever, Governor Assembly (Includes 9-11)
9 531 02 96-20	1 Bolt, Rd Hd Sq Nck 1/4-20x1"
10 531 02 96-06	1 Washer, Int Tooth Lock 1/4"
11 531 02 96-22	1 Nut, Hex Flg 1/4-20"
12 531 02 96-24	1 Bushing, Throttle Linkage
13 531 02 96-25	1 Linkage, Throttle
14 531 02 96-26	1 Bushing, Linkage Retaining
15 531 02 98-96	1 Spring, Linkage
16 531 02 96-16	1 Linkage, Choke
18 531 02 96-14	1 Screw, Lbd Thd Frm M5x0.8x16
19 531 02 96-18	1 Screw, Phl Thd Frm M4x0.7x25
20 531 02 96-17	1 Spring, Speed Control (Short)

FUEL SYSTEM

KEY PART NO. NO.	DESCRIPTION
9 531 02 96-04	4 Clamp, Hose 1/2"
10 531 02 97-83	1 Clip, Cable
11 531 02 98-62	1 Filter, Fuel
12 531 02 99-87	5 Line, Fuel (24"-Cut To Length)
13 510 43 94-01	1 Line, Fuel
14 531 02 97-87	1 Pump, Fuel
17 523 06 08-01	1 Kit, Heat Deflector
18 531 02 96-06	1 Washer, Int Tooth Lock 1/4"
19 531 02 95-97	1 Screw, Flg M6x1.0x20
21 531 02 95-99	1 Gasket, Carburetor
22 531 02 96-00	1 Gasket, Air Cleaner Base
23 531 02 96-01	1 Stud, M6x1.0x100
24 531 02 96-02	2 Nut, Flg M6x1.0
25 504 57 77-01	1 Stud, Carburetor
26 504 57 75-01	1 Gasket, Heat Deflector
28 525 45 37-01	1 Kit, Carburetor Service (Includes 21,22)

STARTING SYSTEM

KEY PART NO. NO.	DESCRIPTION
1 531 02 95-93	1 Starter Assembly
3 531 02 95-94	2 Nut, Free Spinning Flg #10-24
4 504 57 85-01	1 Kit, Drive (J.E.)
5 504 57 72-01	1 Brush Kit
6 504 57 82-01	1 Cap, Drive End (J.E.)
7 504 57 80-01	1 Bolt, Thru