

# Kohler Courage 19hp

**Spare parts**

**Ersatzteile**

**Pièces détachées**

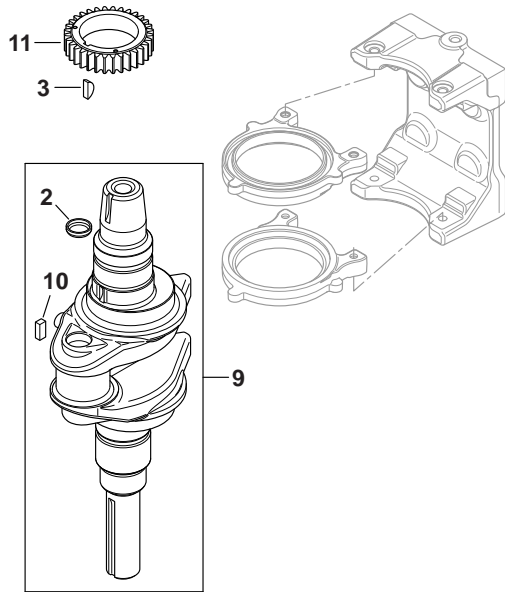
**Reserve onderdelen**

**Repuestos**

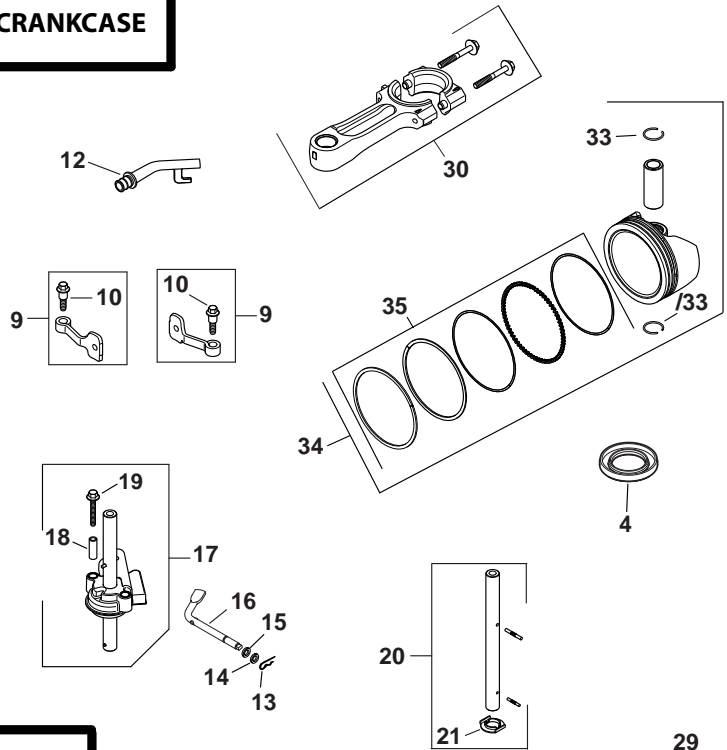
**Reservdelar**

# KOHLER ENGINE - MODEL NO. SV590, TYPE NO.0021

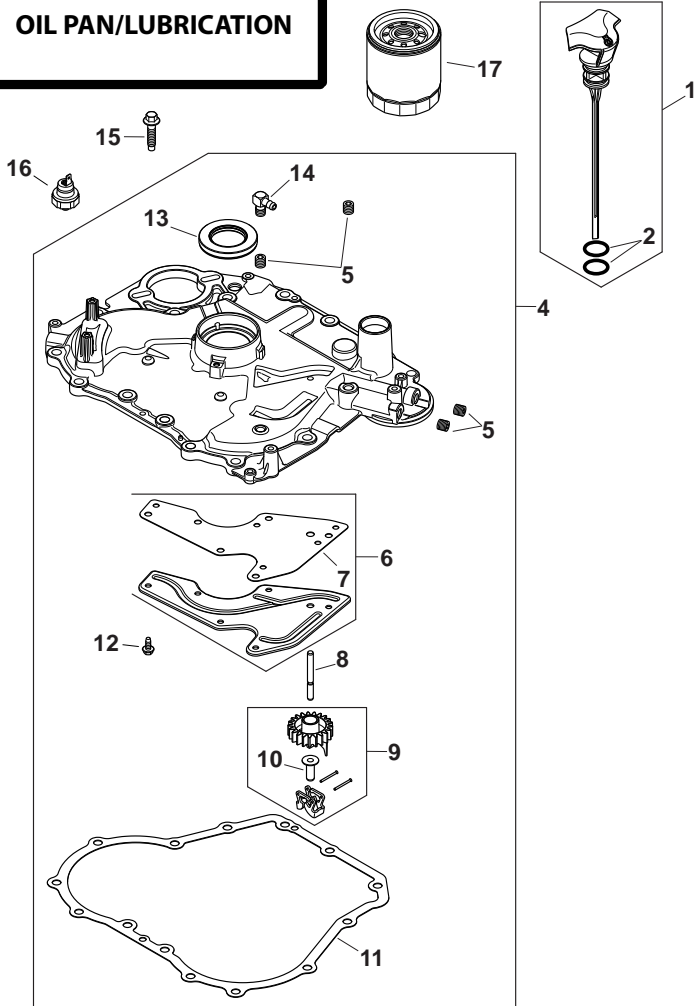
## CRANKSHAFT



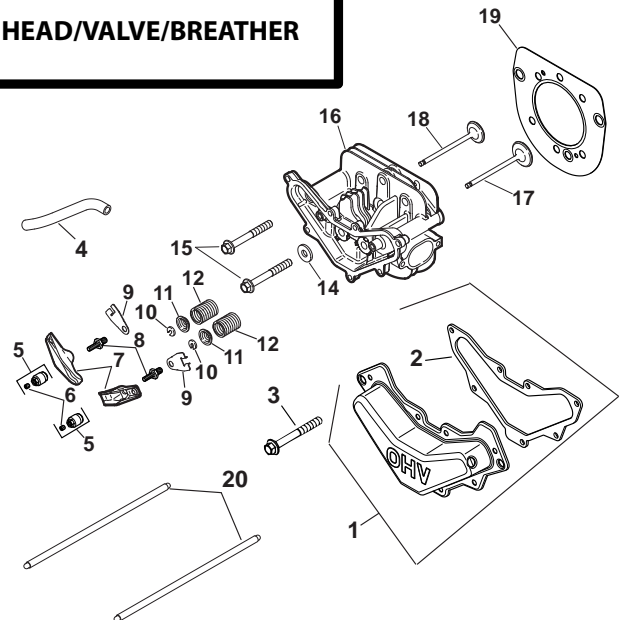
## CRANKCASE



## OIL PAN/LUBRICATION



## HEAD/VALVE/BREATHER



# KOHLER ENGINE - MODEL NO. SV590, TYPE NO.0021

## CRANKSHAFT

KEY NO.	PART NO.	DESCRIPTION
2	523 06 02-01 1	PLUG, CUP
3	531 02 95-11 1	KEY, 3/16" X 5/8"
9	531 02 95-52 1	KIT, CRANKSHAFT (INCLUDES 2, 10)
10	510 43 92-01 1	KEY, STRAIGHT FLYWHEEL
11	531 02 95-12 1	GEAR, CRANKSHAFT

## CRANKCASE

KEY NO.	PART NO.	DESCRIPTION
4	531 02 95-14 1	SEAL, OIL
9	531 02 95-33 2	KIT, CAM LEVER ASSEMBLY
10	531 02 95-34 2	SCREW, SHD THD FRM M6X1X26
12	531 02 98-85 1	TUBE, DRAINBACK
13	531 02 95-23 1	CLIP, HITCH PIN
14	531 02 95-24 1	WASHER, FLAT 6 MM
15	531 02 95-39 1	WASHER, FLAT 1/4"
16	531 02 95-25 1	SHAFT, GOVERNOR CROSS
17	531 02 98-39 1	KIT, OIL PUMP ASSEMBLY
18	531 02 95-27 2	SPACER, OIL PUMP SCREW
19	531 02 95-28 2	SCREW, OIL PUMP
20	531 02 98-77 1	KIT, CAM CENTER SHAFT (EXHAUST)
21	531 02 95-32 1	WASHER, THRUST
22	531 02 95-35 2	KIT, CAM SHAFT ASSEMBLY
23	531 02 95-36 1	SPRING, ACR
24	531 02 95-37 1	WEIGHT, ACR
27	531 02 95-38 1	WASHER, THRUST -ACR
29	504 57 79-01 1	LINKAGE, BALANCE WEIGHT
30	523 06 03-01 1	ROD, CONNECTING
33	531 02 95-19 2	RETAINER, PISTON PIN
34	531 02 96-21 1	KIT, PISTON W/RING SET (94MM)
35	531 02 98-81 1	RING SET (94 MM)
NOT ILLUSTRATED		
	531 02 95-21	KIT, GUIDE PIN (INCLUDES SHOULDER SCREW, GUIDE PINS & TT-5196)

## SHORT BLOCK

KEY NO.	PART NO.	DESCRIPTION
	522 90 61-01 1	SV590/600 SHORT BLOCK
	531 02 96-34 1	GASKET SET

## OIL PAN/LUBRICATION

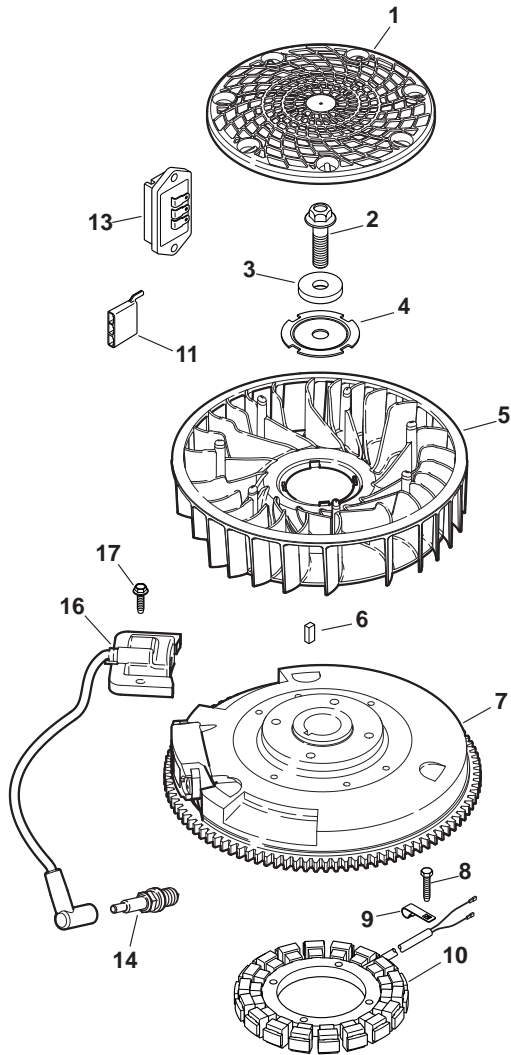
KEY NO.	PART NO.	DESCRIPTION
1	510 44 22-01 1	DIPSTICK ASSEMBLY-STD YELLOW (INCLUDES 2)
2	531 02 95-41 2	O-RING
4	504 57 73-01 1	CLOSURE PLATE ASSEMBLY (INCLUDES 5-14)
5	531 02 95-43 1	PLUG, CTSK PIPE 1/8"
6	531 02 95-45 1	KIT, OIL PASSAGE COVER (INCLUDES 7)
7	531 02 95-46 1	GASKET, OIL PASSAGE
8	531 02 95-47 1	SHAFT, GOVERNOR CROSS
9	531 02 95-48 1	GOVERNOR GEAR ASSEMBLY (INCLUDES 10)
10	531 02 95-49 1	PIN, GOVERNOR REGULATING
11	531 02 95-44 1	GASKET, CLOSURE PLATE
12	531 02 95-50 6	SCREW, FLG THD FRM M5X0.8X13
13	531 02 95-14 1	SEAL, OIL
14	531 02 98-73 1	CONNECTOR, 90° HOSE
15	504 58 04-01 14	HEX FLANGE SCREW, 1/2 DOG POINT
17	531 02 95-03 1	FILTER, OIL

## HEAD/VALVE/BREATHER

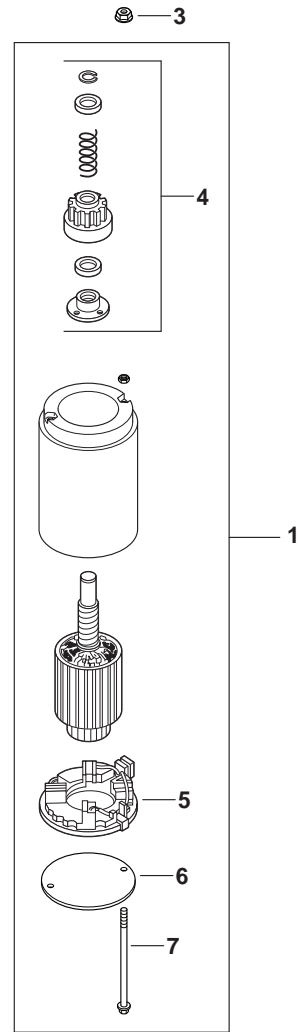
KEY NO.	PART NO.	DESCRIPTION
1	531 02 98-78 1	KIT, VALVE COVER (INCLUDES 2)
2	531 02 95-54 1	GASKET, VALVE COVER
3	531 02 95-55 7	SCREW, FLG THD FRM M6X1.0X20
4	531 02 95-56 1	HOSE, BREATHER
5	531 02 95-57 2	ROCKER PIVOT ASSEMBLY
6	531 02 95-58 2	SCREW, SET
7	531 02 95-59 2	ARM, ROCKER
8	510 43 90-01 2	STUD, ROCKER
9	531 02 95-61 2	PLATE, PUSH ROD GUIDE
10	531 02 95-62 2	LOCK, RETAINER
11	531 02 95-63 2	CAP, VALVE SPRING
12	531 02 95-64 2	SPRING, VALVE
14	531 02 95-66 1	WASHER, FLAT 13/32"
15	531 02 95-65 6	SCREW, FLG M10X1.5X80
16	525 45 36-01 1	KIT, CYLINDER HEAD
17	531 02 95-68 1	VALVE, EXHAUST
18	531 02 95-69 1	VALVE, INTAKE
19	531 02 96-90 1	"KIT, CYLINDER HEAD GASKET (INCLUDES 2, 13, 14, 12 041 01-S, 12 041 02-S, 20 041 12-S, 20 041 18-S 20 041 17-S, 25 086 87-S & X-21-1-S)"
20	531 02 95-71 2	ROD, PUSH
NOT ILLUSTRATED		
	531 02 95-99 1	GASKET, CARBURETOR
	531 02 96-00 1	GASKET, AIR CLEANER BASE
	531 02 96-32 1	GASKET, EXHAUST
	504 57 75-01 1	GASKET, HEAT DEFLECTOR
	531 02 95-95 1	GASKET, HEAT DEFLECTOR
	525 45 25-01 2	SCREW, HEX SOCKET HEAD CAP
	525 45 26-01 2	WASHER, SPRING LOCK 5/16"

# KOHLER ENGINE - MODEL NO. SV590, TYPE NO.0021

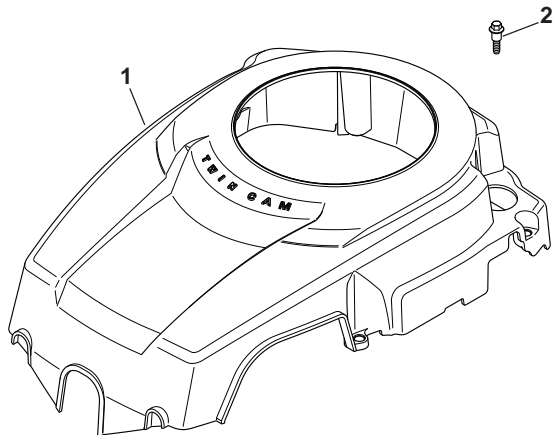
## IGNITION/ELECTRICAL



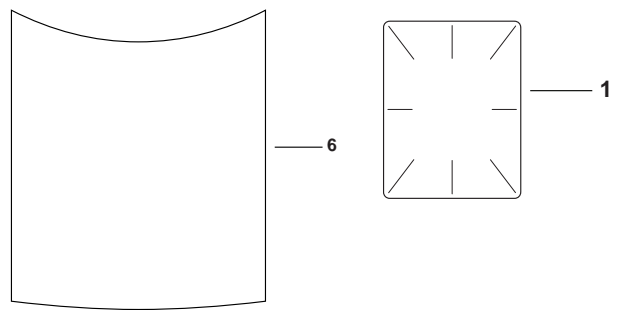
## STARTING SYSTEM



## BLOWER HOUSING & BAFFLES



## DECALS



Artwork is representative.  
Actual labels may differ depending on model and specification number.

# KOHLER ENGINE - MODEL NO. SV590, TYPE NO.0021

## IGNITION/ELECTRICAL

KEY NO.	PART NO.	DESCRIPTION
1	531 02 95-72 1	SCREEN, GRASS
2	504 57 86-01 1	SCREW, HEX FLANGE
3	504 58 05-01 1	WASHER, FLAT
4	544 93 68-01 1	PLATE, FAN MOUNTING
5	531 02 95-76 1	FAN
6	510 43 92-01 1	KEY, STRAIGHT FLYWHEEL
7	510 43 91-01 1	FLYWHEEL
8	531 02 98-87 2	SCREW, THD FRM M5X0.8X25
9	504 57 78-01 1	CLIP, WIRE
10	531 02 95-82 1	KIT, 15 AMP STATOR (INCLUDES 25 452 01-S)
11	523 06 06-01 1	CONNECTOR
13	504 57 71-01 1	REGULATOR/RECTIFIER
14	531 02 99-75 1	SPARK PLUG, RFI
16	531 02 95-87 1	MODULE, IGNITION (CDI FIXED)
17	531 02 95-84 2	SCREW, FLG THD FRM M5X.8X20
NOT ILLUSTRATED		
	523 06 07-01 1	HARNESS, WIRING
	544 93 71-01 1	TIE

## BLOWER HOUSING & BAFFLES

KEY NO.	PART NO.	DESCRIPTION
1	531 02 95-89 1	KIT, BLOWER HOUSING (INCLUDES 41 037 10-S)
2	531 02 95-34 4	SCREW, SHD THD FRM M6X1X26
NOT ILLUSTRATED		
	531 02 99-27 1	NAMEPLATE, SERVICE

## STARTING SYSTEM

KEY NO.	PART NO.	DESCRIPTION
1	531 02 95-93 1	STARTER ASSEMBLY
3	531 02 95-94 2	NUT, FREE SPINNING FLG #10-24
4	504 57 85-01 1	KIT, DRIVE (J.E.)
5	504 57 72-01 1	BRUSH KIT
6	504 57 82-01 1	CAP, DRIVE END (J.E.)
7	504 57 80-01 1	BOLT, THRU

## DECALS

KEY NO.	PART NO.	DESCRIPTION
1	531 02 98-42 1	DECAL, CLEAR LAMINATE
6	531 02 98-82 1	DECAL, 19HP



# KOHLER ENGINE - MODEL NO. SV590, TYPE NO.0021

## FUEL SYSTEM

KEY NO.	PART NO.	DESCRIPTION
9	531 02 96-04 2	CLAMP, HOSE 1/2"
10	531 02 97-83 1	CLIP, CABLE
11	531 02 98-62 1	FILTER, FUEL
12	531 02 99-87 1	LINE, FUEL (24"-CUT TO LENGTH)
13	510 43 94-01 1	LINE, FUEL
14	531 02 97-87 1	PUMP, FUEL
17	523 06 08-01 1	KIT, HEAT DEFLECTOR
18	531 02 96-06 1	WASHER, INT TOOTH LOCK 1/4"
19	531 02 95-97 1	SCREW, FLG M6x1.0x20
23	531 02 96-01 1	STUD, M6X1.0X100
24	531 02 96-02 2	NUT, FLG M6X1.0
25	504 57 77-01 1	STUD, CARBURETOR
26	504 57 75-01 1	GASKET, HEAT DEFLECTOR
29	531 02 97-34 1	KIT, CARBURETOR
NOT ILLUSTRATED		
	544 93 71-01 1	TIE
	510 44 04-01 1	KIT,HIGH ALT(5000 OR 10000 FT)
	510 44 01-01 1	KIT, REPAIR CHOKE
	531 02 96-07 1	KIT, REPAIR FLOAT
	531 02 96-08 1	KIT, REPAIR CARBURETOR
	531 02 96-09 1	KIT, REPAIR SOLENOID
	531 02 96-10 1	KIT,REPAIR BOWL REPLACEMENT
	544 36 89-01 1	KIT, HIGH ALTITUDE (10,000 FT)

## ENGINE CONTROLS

KEY NO.	PART NO.	DESCRIPTION
1	531 02 98-79 1	KIT, SPEED CONTROL ASSEMBLY
2	525 45 28-01 1	KIT, IDLE ADJ SCREW & SPRING
3	531 02 98-95 1	SPRING, SPEED CONTROL (LONG)
4	531 02 96-13 1	CLAMP, CABLE
6	531 02 96-15 2	SCREW, LBD SKT M6x1.0x20
7	531 02 96-23 1	SPRING, GOVERNOR
8	531 02 96-19 1	LEVER, GOVERNOR ASSEMBLY
9	531 02 96-20 1	BOLT, RD HD SQ NCK 1/4-20X1"
10	531 02 96-06 1	WASHER, INT TOOTH LOCK 1/4"
11	531 02 96-22 1	NUT, HEX FLG 1/4-20"
12	531 02 96-24 1	BUSHING, THROTTLE LINKAGE
13	531 02 96-25 1	LINKAGE, THROTTLE
14	531 02 96-26 1	BUSHING, LINKAGE RETAINING
15	531 02 98-96 1	SPRING, LINKAGE
16	531 02 96-16 1	LINKAGE, CHOKE
17	531 02 98-94 1	SCREW, PHL THD FRM M4X0.7X38
18	531 02 96-14 1	SCREW, LBD THD FRM M5x0.8x16

## ACCESSORIES

KEY NO.	PART NO.	DESCRIPTION
1	531 02 96-32 1	GASKET, EXHAUST

## AIR INTAKE/FILTRATION

KEY NO.	PART NO.	DESCRIPTION
1	531 02 97-25 1	KIT, AIR CLEANER COVER (INCLUDES 2)
2	531 02 98-38 2	KNOB, COVER
4	531 02 95-01 1	ELEMENT, AIR CLEANER
5	531 02 96-29 1	KIT, AIR CLEANER BASE (INCLUDES 6,7)
6	504 57 76-01 2	STUD, AIR CLEANER BASE
7	531 02 96-00 1	GASKET, AIR CLEANER BASE
8	510 43 93 01 1	BRACKET, FUEL PUMP
9	510 43 99-01 1	SCREW, THRD FRM M4X0.7X10