

LTH1797

Spare parts

Ersatzteile

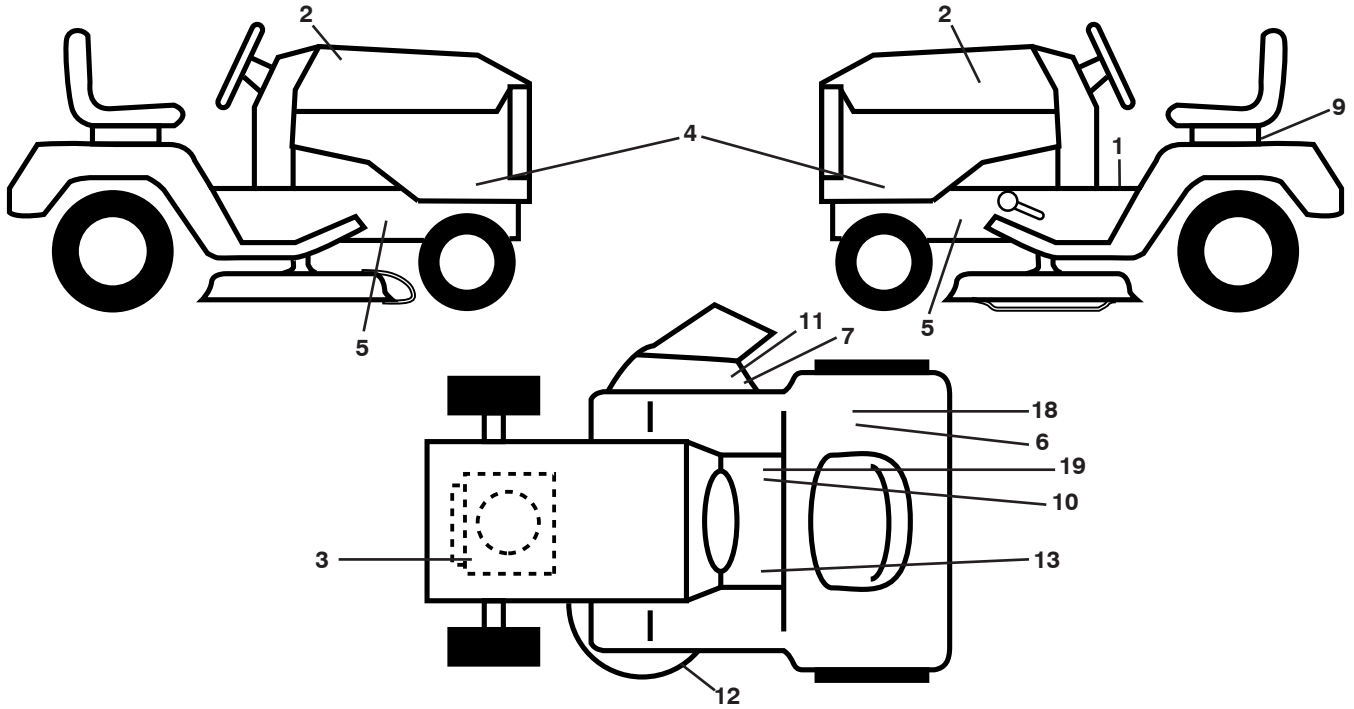
Pièces détachées

Reserve onderdelen

Repuestos

Reservdelar

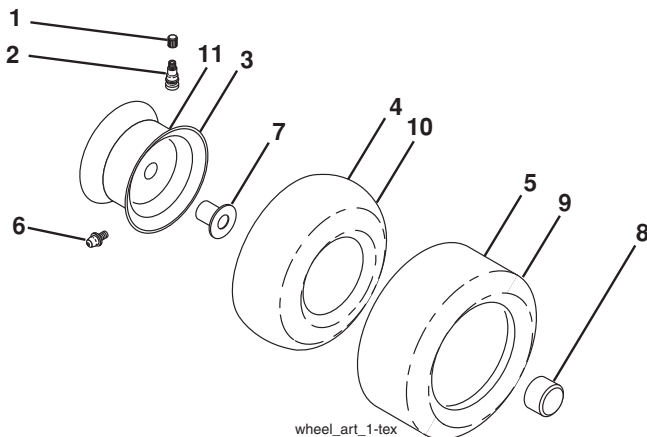
**TRACTOR - - MODEL NO. LTH1797 (96041005104), PRODUCT NO. 960 41 00-51
DECALS 27**



| KEY NO. | PART NO. | DESCRIPTION |
|---------|--------------|-----------------------------|
| 1 | 532 40 03-89 | Decal, Operators |
| 2 | 532 42 20-12 | Decal, Hood |
| 3 | 532 19 68-41 | Decal, Warning Eng. Symbols |
| 4 | 532 41 01-02 | Decal, Hood Panel |
| 5 | 532 15 97-36 | Decal, Chassis Hot Muffler |
| 6 | 532 12 44-33 | Decal, Fender DBA |
| 7 | 532 19 63-57 | Decal, Warning |
| 9 | 532 14 50-05 | Decal, Battery Dnge/Poi |
| 10 | 532 14 08-37 | Decal, Saddle Brake Parking |
| 11 | 532 18 21-66 | Decal, Cutfinger CE |

| KEY NO. | PART NO. | DESCRIPTION |
|---------|--------------|-------------------------------|
| 12 | 532 19 43-02 | Decal, Mower V-Belt Schematic |
| 13 | 532 15 97-37 | Decal, Brake/Clutch Symbol |
| 18 | 532 16 88-69 | Decal, Tick Mark |
| 19 | 532 17 83-02 | Decal, Operator's Sym |
| -- | 532 16 25-98 | Decal, Drawbar Load Limit |
| -- | 532 16 69-60 | Decal Bypass |
| -- | 532 41 08-05 | Pad, Footrest, LH |
| -- | 532 41 08-06 | Pad, Footrest, RH |
| -- | 532 42 29-79 | Manual Oper. English |

WHEELS AND TIRES

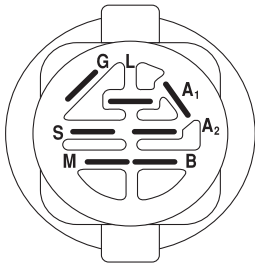
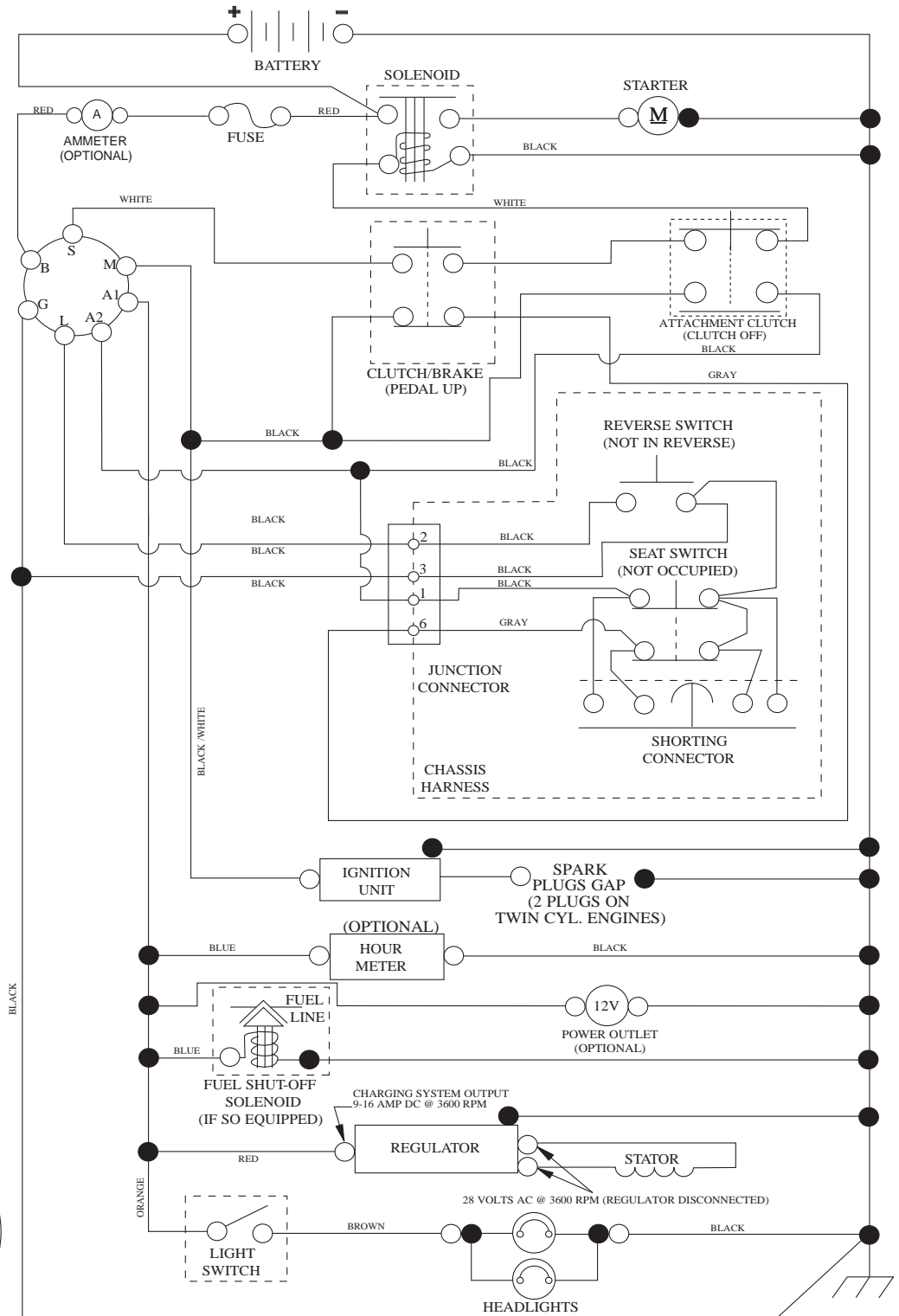


| KEY NO. | PART NO. | DESCRIPTION |
|---------|--------------|-----------------------------------|
| 1 | 532 05 91-92 | Cap Valve Tire |
| 2 | 532 06 51-39 | Stem Valve |
| 3 | 532 13 83-36 | Rim Asm 6" Front Service |
| 4 | 532 05 99-04 | Tube Front (Service Item Only) |
| 5 | 532 10 62-22 | Tire F T 15 x 6 0 - 6 Service |
| 6 | 532 12 49-57 | Fitting Grease (Front Wheel Only) |
| 7 | 532 12 49-59 | Bearing Flange (Front Wheel Only) |
| 8 | 532 17 50-39 | Cap Axle Blk 1 50 x 1 00 |
| 9 | 532 12 20-82 | Tire R T 20 x 10-8 Service |
| 10 | 532 12 49-26 | Tube Rear (Service Item Only) |
| 11 | 532 13 83-37 | Rim Asm 8" Rear Service |
| -- | 532 14 43-34 | Sealant, Tire (10 oz. Tube) |

NOTE: All component dimensions given in U.S. inches
1 inch = 25.4 mm

TRACTOR - - MODEL NO. LTH1797 (96041005104), PRODUCT NO. 960 41 00-51 SCHEMATIC 38

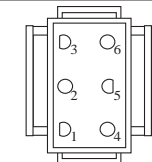
SCH10



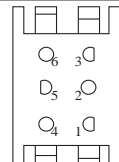
IGNITION SWITCH

| POSITION | CIRCUIT | "MAKE" |
|--------------|------------|--------|
| OFF | M+G+A1 | |
| RUN/OVERRIDE | B+A1 | |
| RUN | B+A1 | L+A2 |
| START | B + S + A1 | |

03107



CHASSIS HARNESS CONNECTOR (MATING SIDE)



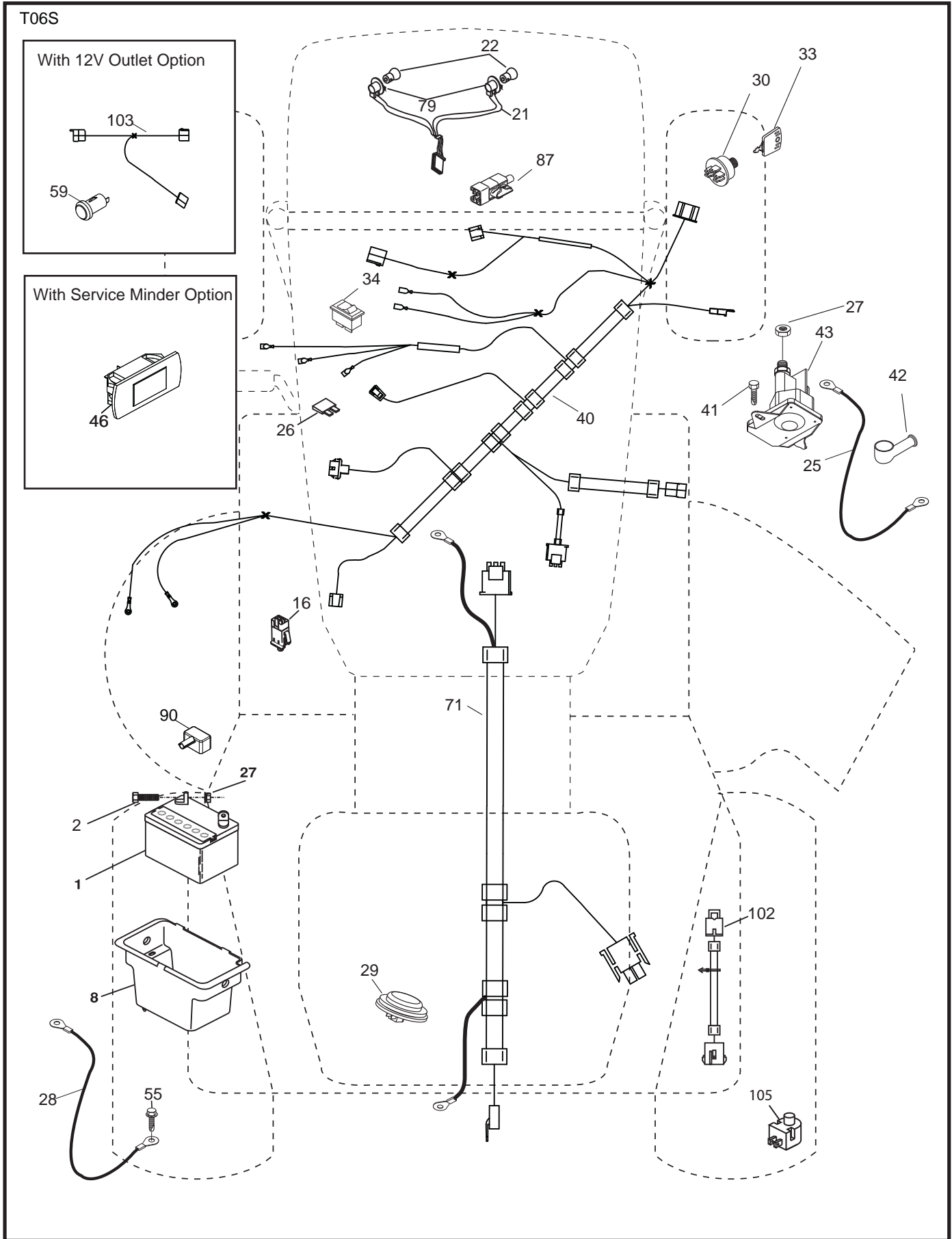
DASH HARNESS CONNECTOR (MATING SIDE)

WIRING INSULATED CLIPS
NOTE: IF WIRING INSULATED CLIPS WERE REMOVED FOR SERVICING OF UNIT, THEY SHOULD BE RE-INSTALLED TO PROPERLY SECURE YOUR WIRING.

NON-REMOVABLE CONNECTIONS

REMOVABLE CONNECTIONS

**TRACTOR - - MODEL NO. LTH1797 (96041005104), PRODUCT NO. 960 41 00-51
ELECTRICAL 32**

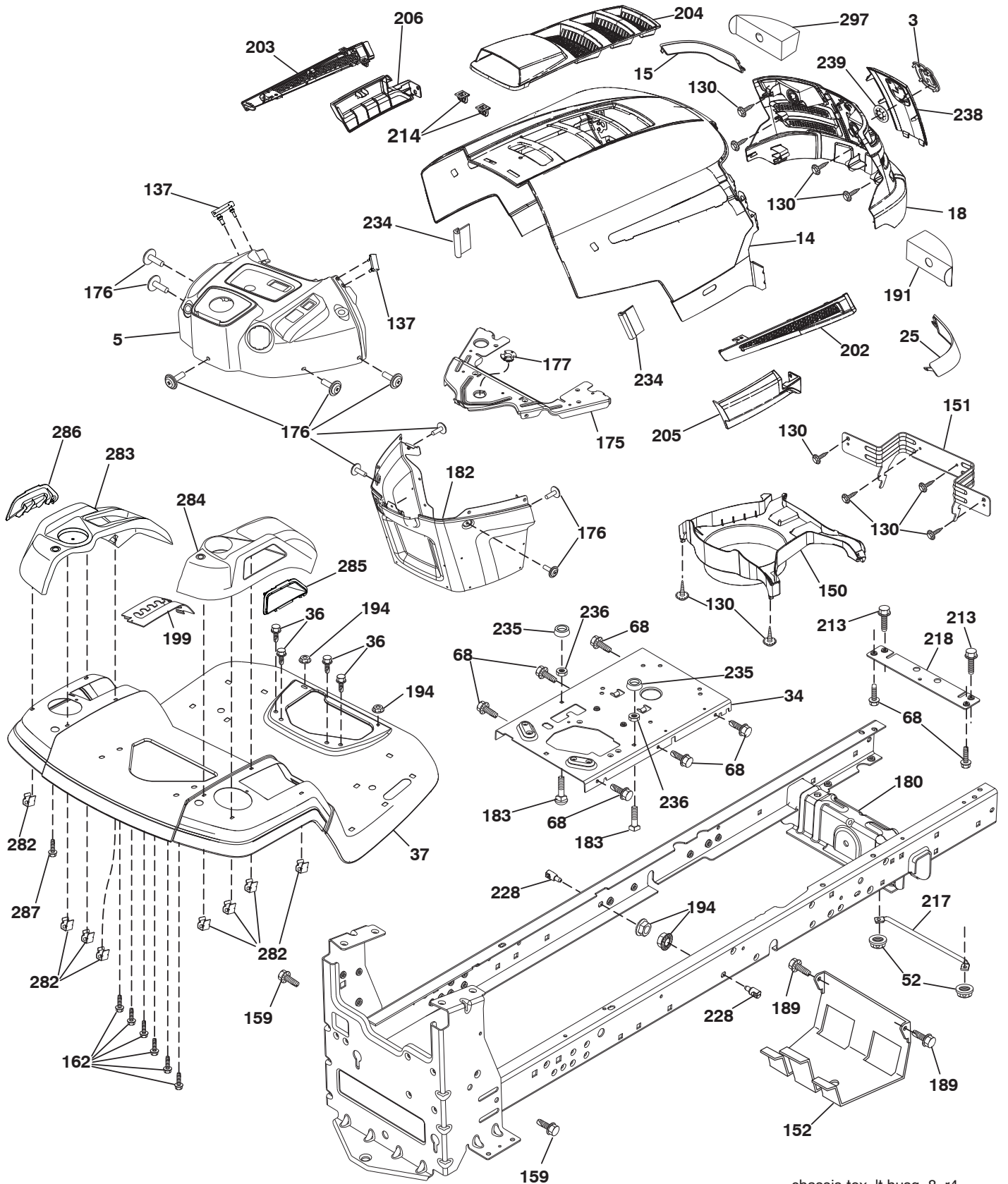


**TRACTOR - - MODEL NO. LTH1797 (96041005104), PRODUCT NO. 960 41 00-51
ELECTRICAL 32**

| KEY NO. | PART NO. | DESCRIPTION |
|----------------|-----------------|---------------------------------|
| 1 | 532 16 34-65 | Battery |
| 2 | 874 76 04-12 | Bolt Hex Head 1/4-20 x 3/4 |
| 8 | 532 19 32-28 | Box Battery |
| 16 | 532 17 61-38 | Switch Interlock Push-In |
| 21 | 532 40 02-52 | Harness Socket Light w/4152J |
| 22 | 532 00 41-52 | Bulb Light |
| 25 | 532 41 28-94 | Cable Starter |
| 26 | 532 17 51-58 | Fuse |
| 27 | 873 51 04-00 | Nut Keps Hex 1/4-20 unc |
| 28 | 532 19 88-85 | Cable, Ground |
| 29 | 532 40 15-45 | Switch, Seat |
| 30 | 532 19 33-50 | Switch, Ign |
| 33 | 532 41 19-33 | Key/Chain |
| 34 | 532 11 07-12 | Switch Light/Reset |
| 40 | 532 40 10-98 | Harness Ign. Dash |
| 41 | 817 72 04-08 | Screw Thd Cut 1/4-20 x 1/2 |
| 42 | 532 13 15-63 | Cover, Terminal |
| 43 | 532 19 25-07 | Solenoid |
| 46 | 532 40 17-63 | Gauge, Hourmeter |
| 55 | 817 06 05-12 | Screw Thdrol 5/16-18 x 3/4 TYTT |
| 71 | 532 40 04-49 | Harness Ign. |
| 79 | 532 17 52-42 | Socket Asm Bulb Twistlock |
| 87 | 532 19 78-02 | Switch Interlock Clutch Cable |
| 90 | 532 40 07-25 | Cover Terminal |
| 102 | 532 40 44-54 | Harness Pigtail |
| 105 | 532 40 75-68 | Switch Reverse TT Pedal Control |

NOTE: All component dimensions given in U.S. inches
1 inch = 25.4 mm

TRACTOR - - MODEL NO. LTH1797 (96041005104), PRODUCT NO. 960 41 00-51
CHASSIS AND ENCLOSURES **39**



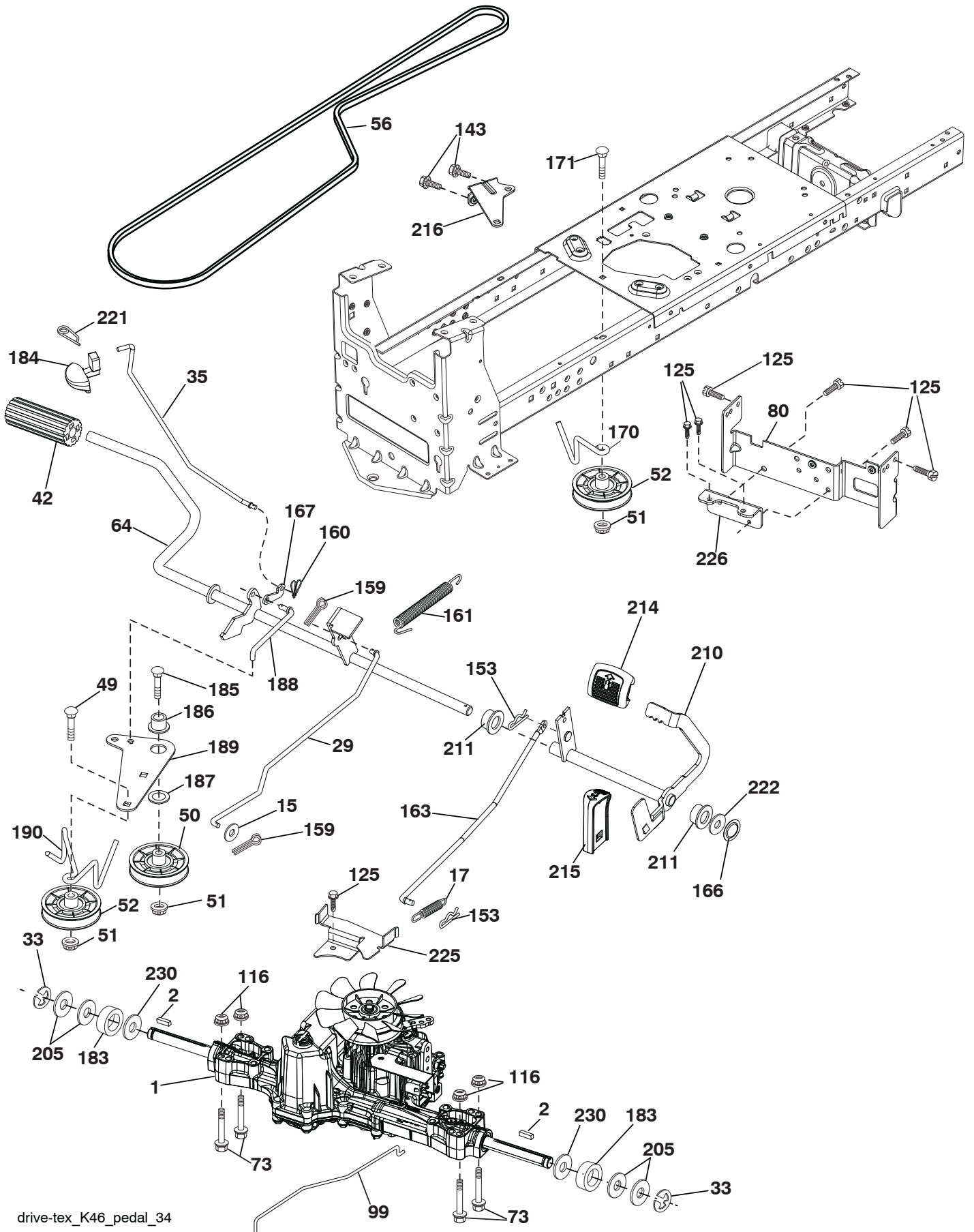
chassis-tex_lt husq_8_r4

**TRACTOR - - MODEL NO. LTH1797 (96041005104), PRODUCT NO. 960 41 00-51
CHASSIS AND ENCLOSURES **39****

| KEY NO. | PART NO. | DESCRIPTION |
|---------|--------------|-----------------------------|
| 3 | 532 40 50-12 | Logo |
| 5 | 532 40 75-92 | Dash |
| 14 | 532 41 10-73 | Hood |
| 15 | 532 41 10-79 | Lens LH |
| 18 | 532 42 69-63 | Grille |
| 25 | 532 41 10-78 | Lens RH |
| 34 | 532 19 61-25 | Plate Engine |
| 36 | 817 06 05-12 | Screw 5/16-18 x 3/4 |
| 37 | 532 41 63-07 | Fender |
| 52 | 873 68 05-00 | Nut Crown Lock 5/16 |
| 68 | 817 49 05-08 | Screw THDROL 5/16-18 x 1/2 |
| 130 | 532 41 63-58 | Screw 10 x 0.750 |
| 137 | 532 40 75-90 | Bumper, Dash |
| 150 | 532 40 75-37 | Air Duct |
| 151 | 532 40 78-07 | Bracket Pivot |
| 152 | 532 19 95-35 | Shield Browning |
| 159 | 817 00 06-12 | Screw 3/8-16 x 3/4 |
| 162 | 532 14 24-32 | Screw |
| 175 | 532 19 94-72 | Crossmember |
| 176 | 532 40 07-76 | Screw 10-24 x 5/8 |
| 177 | 532 19 52-28 | Bushing Steering |
| 180 | 532 19 54-57 | Chassis |
| 182 | 532 40 71-76 | Dash Lower |
| 183 | 874 52 05-20 | Bolt 5/16-18 x 1-1/4 |
| 189 | 817 00 05-12 | Screw 5/16-18 x 3/4 |
| 191 | 532 41 65-00 | Insert Reflective RH |
| 194 | 873 90 05-00 | Nut Lock Hex Flange 5/16-18 |
| 199 | 532 41 34-85 | Plate Deck Lift |
| 202 | 532 41 10-75 | Vent Side Hood RH |
| 203 | 532 41 10-74 | Vent Side Hood LH |
| 204 | 532 41 11-16 | Vent Top Hood |
| 205 | 532 41 10-76 | Skirt Side RH |
| 206 | 532 41 10-77 | Skirt Side LH |
| 213 | 874 76 05-12 | Bolt 5/16-18 x 3/4 |
| 214 | 532 19 91-45 | Clip Retainer |
| 217 | 532 40 91-67 | Rod Pivot Hood |
| 218 | 532 19 63-95 | X-Piece Hood Stop |
| 228 | 532 19 51-61 | Stud Fastener |
| 234 | 532 40 47-42 | Bumper Hood |
| 235 | 532 40 61-29 | Spacer Fender |
| 236 | 873 93 05-00 | Nut Lock 5/16-18 unc |
| 238 | 532 41 11-19 | Trim |
| 239 | 532 40 48-83 | Clip Tinnerman |
| 282 | 532 41 41-10 | Clip Retainer Console |
| 283 | 532 41 63-16 | Console Deck Lift |
| 284 | 532 41 78-87 | Console Control Pedal |
| 285 | 532 41 63-15 | Console Insert RH |
| 286 | 532 41 63-17 | Console Insert LH |
| 287 | 817 60 04-06 | Screw 1/4-20 x 3/8 |
| 297 | 532 40 66-65 | Insert Reflective LH |

NOTE: All component dimensions given in U.S. inches
1 inch = 25.4 mm

TRACTOR - - MODEL NO. LTH1797 (96041005104), PRODUCT NO. 960 41 00-51
 DRIVE **40**



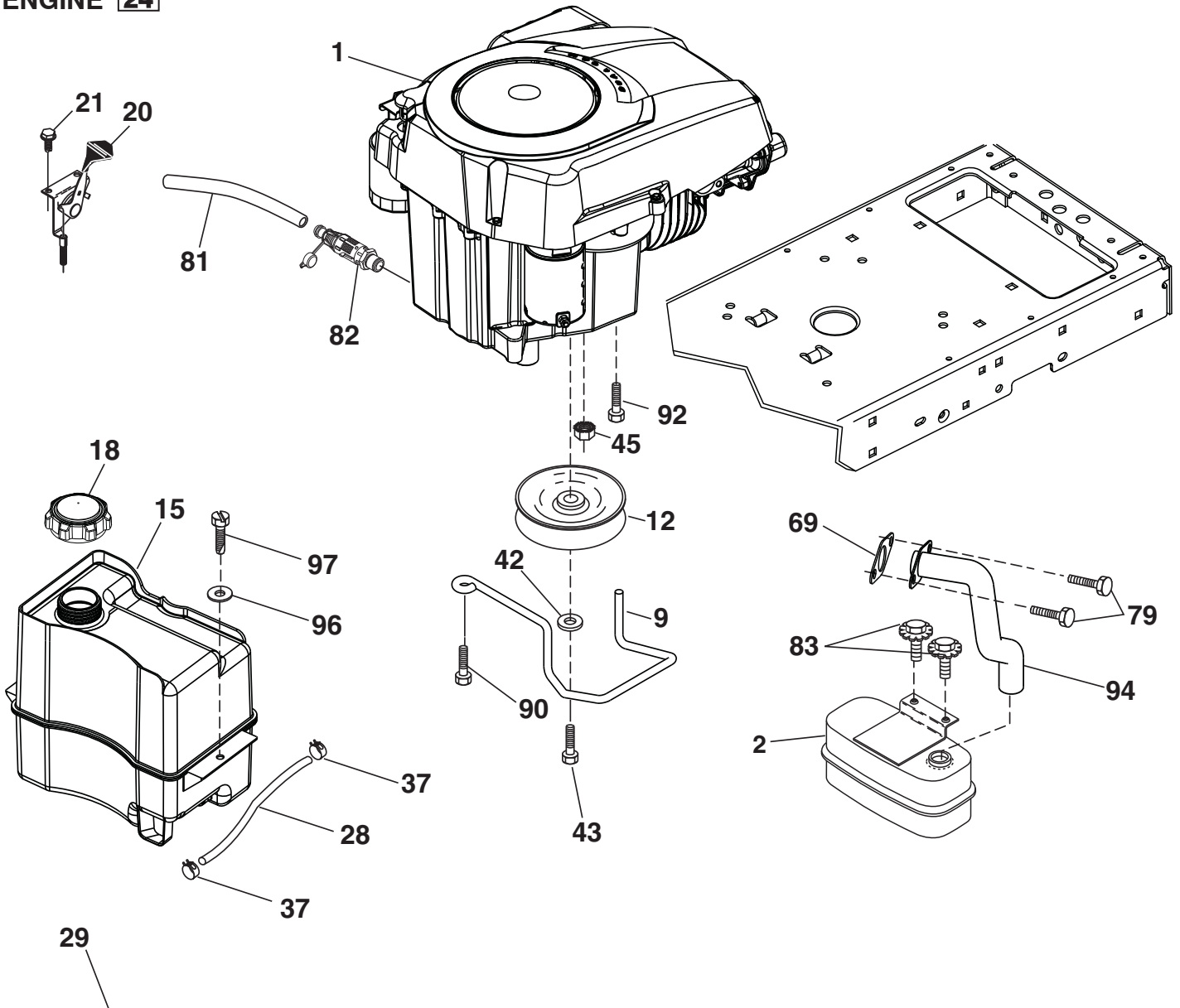
drive-tex_K46_pedal_34

**TRACTOR - - MODEL NO. LTH1797 (96041005104), PRODUCT NO. 960 41 00-51
DRIVE 40**

| KEY NO. | PART NO. | DESCRIPTION |
|------------|--------------|---|
| 1 | --- - - - - | Transaxle, TUFFTORQ K46BT (Internal Parts Not Available) |
| 2 | 532 12 35-83 | Key Square |
| 15 | 819 13 13-16 | Washer 13/32 x 13/16 x 16 Ga. |
| 17 | 532 41 36-78 | Spring, Brake |
| 29 | 532 40 38-06 | Rod, Brake |
| 33 | 812 00 00-01 | Ring E |
| 35 | 532 40 10-31 | Rod, Brake, Park |
| 42 | 532 12 48-72 | Cover, Foot Pedal |
| 49 | 872 11 06-14 | Bolt |
| 50 | 532 19 43-27 | Pulley Idler Flat |
| 51 | 873 90 06-00 | Lock Nut 3/8-16 |
| 52 | 532 19 43-26 | Idler V-Groove 910" Offset |
| 56 | 532 13 09-69 | V-Belt, Drive |
| 64 | 532 19 78-65 | Shaft Asm. Pedal Brake Control |
| 73 | 874 49 05-44 | Bolt 5/16-18 Gr. 5 |
| 80 | 532 41 00-24 | Strap Torque |
| 99 | 532 41 57-42 | Rod Bypass |
| 116 | 873 90 05-00 | Nut Lock Hex Flange 5/16-18 |
| 125 | 817 00 05-12 | Screw 5/16-18 x 3/4 |
| 143 | 817 49 05-08 | Screw 5/16-18 x 1/2 |
| 153 | 532 12 47-88 | Retainer Spring |
| 159 | 876 02 04-12 | Pin Cotter 1/8 x 3/4 |
| 160 | 532 16 94-84 | Retainer Clip |
| 161 | 532 10 57-09 | Spring Return Clutch |
| 163 | 532 40 10-34 | Rod Pedal Control |
| 166 | 532 42 83-05 | Nut Push |
| 167 | 532 40 52-57 | Latch Brake Parking |
| 170 | 532 19 43-22 | Keeper Belt Centerspan |
| 171 | 872 11 06-16 | Bolt |
| 183 | 532 13 70-57 | Spacer Axle |
| 184 | 532 40 97-47 | Handle Parking Brake |
| 185 | 872 11 06-22 | Bolt |
| 186 | 532 19 43-21 | Spacer Retainer |
| 187 | 819 13 32-10 | Washer |
| 188 | 532 19 43-23 | Link Clutch Ground Drive |
| 189 | 532 19 43-17 | Bellcrank Ground Drive |
| 190 | 532 19 43-18 | Keeper Bellcrank Ground Drive |
| 205 | 532 12 17-48 | Washer 25/32 x 1-5/8 16 Ga. |
| 210 | 532 40 09-80 | Rockr Asm. Pedal Control |
| 211 | 532 12 01-83 | Bearing Nylon |
| 214 | 532 42 12-63 | Pedal Forward |
| 215 | 532 40 17-23 | Pedal Reverse |
| 216 | 532 19 61-31 | Bracket Pulley Idler |
| 221 | 532 40 31-87 | Retainer Spring Clip |
| 222 | 879 21 20-10 | Washer 21/32 x 1-1/4 10 Ga. |
| 225 | 532 40 33-19 | Keeper Bolt Transaxle |
| 226 | 532 40 15-64 | Bracket Mount Torque |
| 230 | 532 18 89-67 | Washer Hardened |

NOTE: All component dimensions given in U.S. inches
1 inch = 25.4 mm

TRACTOR - - MODEL NO. LTH1797 (96041005104), PRODUCT NO. 960 41 00-51
ENGINE **24**



SPARK ARRESTER KIT

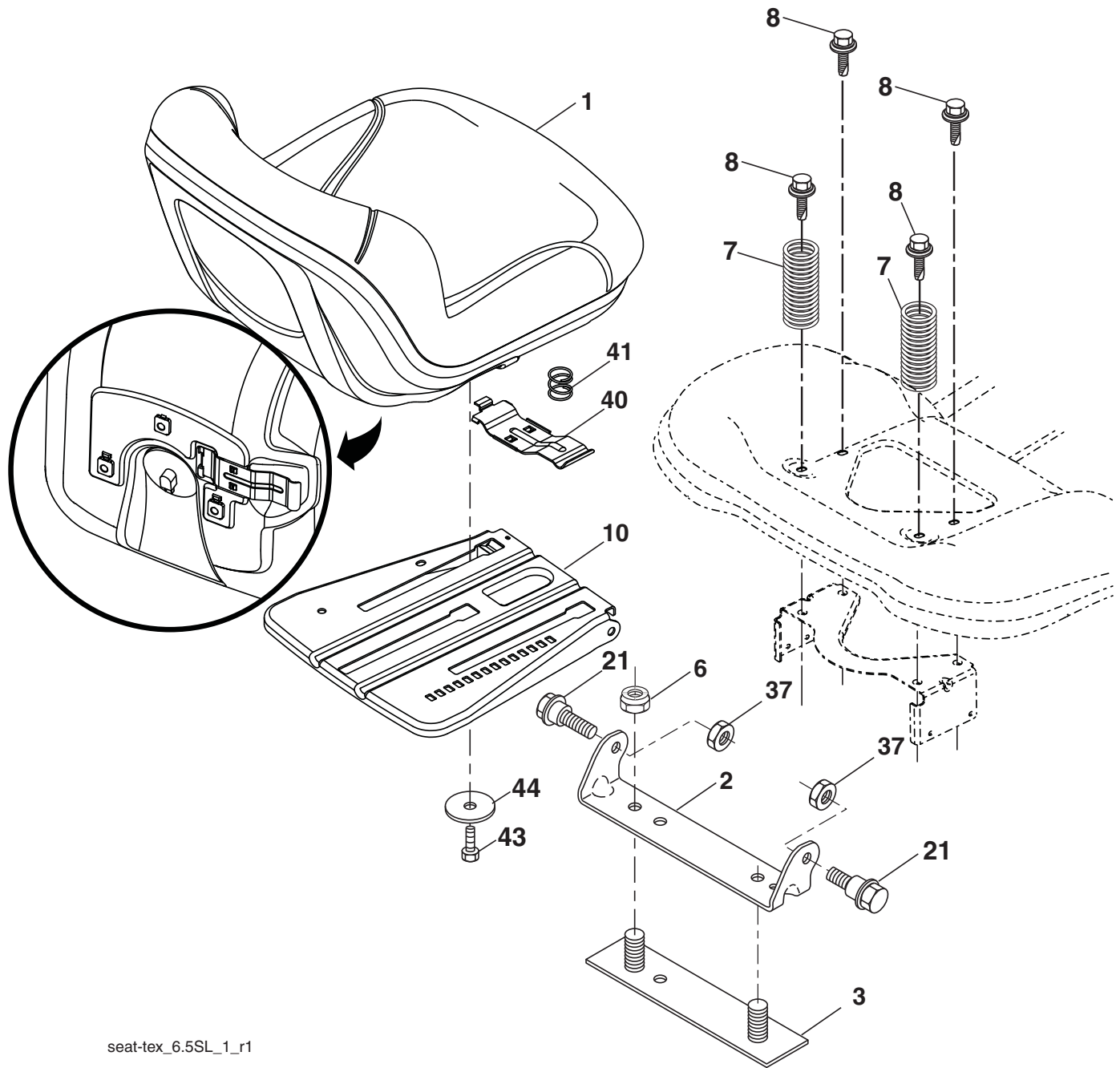
engine-tex_Kohl_9_r1

| KEY NO. | PART NO. | DESCRIPTION |
|---------|--------------|----------------------------------|
| 1 | ----- | Engine Kohl Model No. SV530-0213 |
| 2 | 532 18 86-55 | Muffler |
| 9 | 532 19 43-20 | Keeper Belt Engine |
| 12 | 532 40 54-71 | Pulley Engine |
| 15 | 532 40 75-45 | Tank Fuel 1.5 |
| 18 | 532 42 51-62 | Cap Fuel |
| 20 | 532 18 38-97 | Control Throttle |
| 21 | 532 41 63-58 | Screw #10 x .750 BOS Thread |
| 28 | 532 13 70-40 | Fuel Line |
| 29 | 532 13 71-80 | Spark Arrester Kit |
| 37 | 532 12 34-87 | Clamp Hose |
| 42 | 810 04 07-00 | Washer, Lock 7/16 |
| 43 | 532 17 39-37 | Bolt Hex 7/16-20 x 4 Gr. 5 - 1.5 |

| KEY NO. | PART NO. | DESCRIPTION |
|---------|--------------|----------------------------|
| 45 | 873 51 04-00 | Nut Keps Hex 1/4-20 unc |
| 69 | 532 18 59-09 | Gasket |
| 79 | 532 19 23-34 | Screw 5/16-18 x .75 |
| 81 | 532 14 84-56 | Tube Drain Oil Easy |
| 82 | 532 42 82-87 | Plug Drain Oil |
| 83 | 532 17 18-77 | Bolt 5/16-18 unc x 3/4 |
| 90 | 817 00 06-16 | Screw 3/8-16 x 1 |
| 92 | 817 12 06-16 | Screw 3/8-16 x 1 |
| 94 | 532 18 86-54 | Tube Exhaust |
| 96 | 819 09 14-16 | Washer 9/32 x 7/8 x 16 Ga. |
| 97 | 817 67 04-12 | Screw 1/4-20 x 3/4 |

NOTE: All component dimensions given in U.S. inches
1 inch = 25.4 mm

**TRACTOR - - MODEL NO. LTH1797 (96041005104), PRODUCT NO. 960 41 00-51
SEAT ASSEMBLY 42**



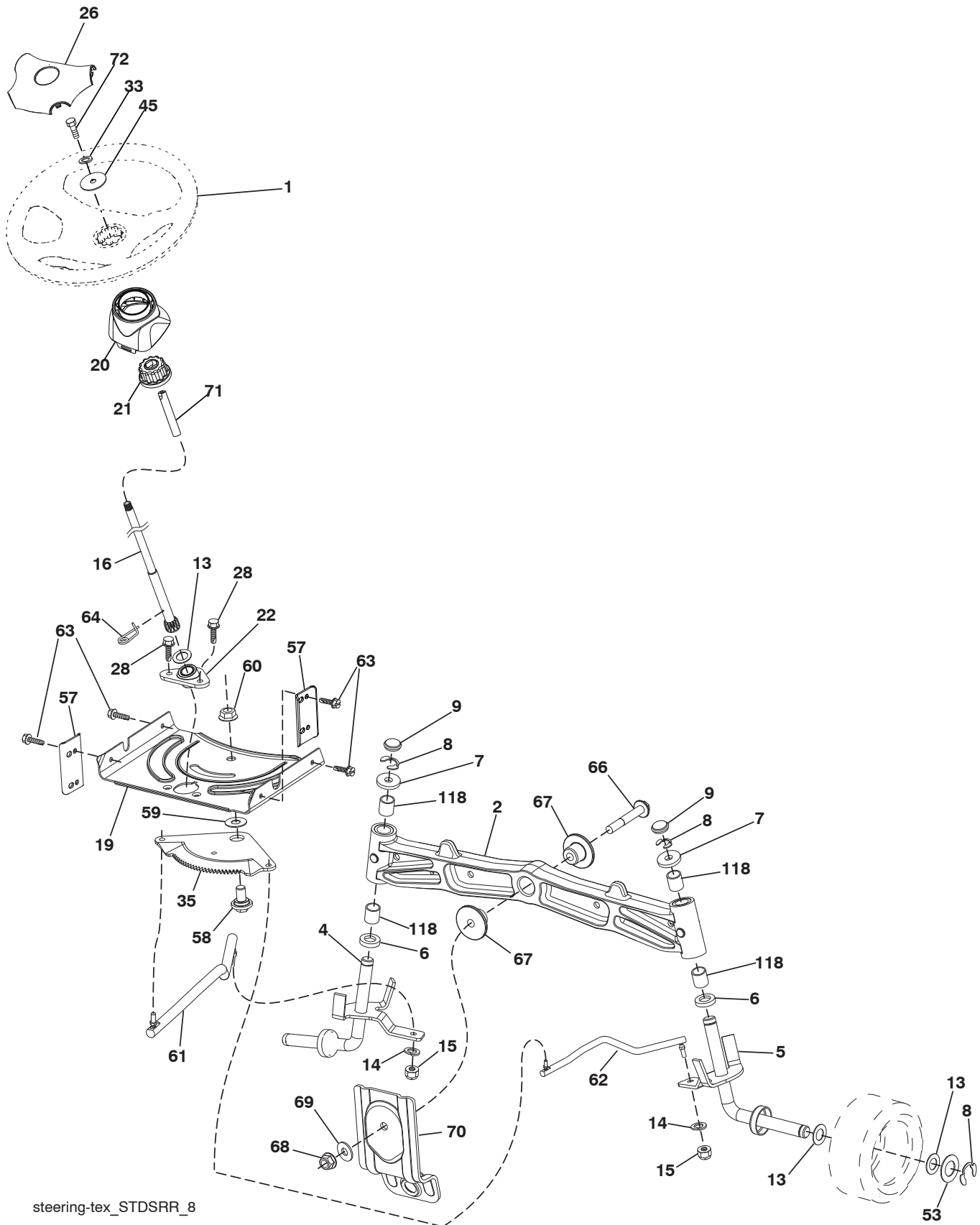
seat-tex_6.5SL_1_r1

| KEY NO. | PART NO. | DESCRIPTION |
|---------|--------------|-------------------------------|
| 1 | 532 42 40-67 | Seat |
| 2 | 532 18 01-66 | Bracket Pivot Fender |
| 3 | 532 14 06-75 | Strap, Asm Fender |
| 6 | 873 80 06-00 | Nut, Lock w/Ins. 3/8-16 unc |
| 7 | 532 12 41-81 | Spring, Seat Cprsn |
| 8 | 532 17 18-77 | Bolt 5/16-18 unc x 3/4 w/Sems |
| 10 | 532 19 69-77 | Pan, Seat |
| 21 | 532 17 18-52 | Bolt, Shoulder 5/16-18 |

| KEY NO. | PART NO. | DESCRIPTION |
|---------|--------------|-------------------------------|
| 37 | 873 80 05-00 | Nut, Lock 5/16-18 unc |
| 40 | 532 19 76-61 | Handle Slide Seat |
| 41 | 532 19 82-00 | Spring Latch Seat |
| 43 | 874 76 06-12 | Bolt Fin Hex 3/8-16 x 3/4 |
| 44 | 819 13 38-12 | Washer 13/32 x 2-3/8 x 12 Ga. |

NOTE: All component dimensions given in U.S. inches
1 inch = 25.4 mm

TRACTOR - - MODEL NO. LTH1797 (96041005104), PRODUCT NO. 960 41 00-51
STEERING ASSEMBLY **41**



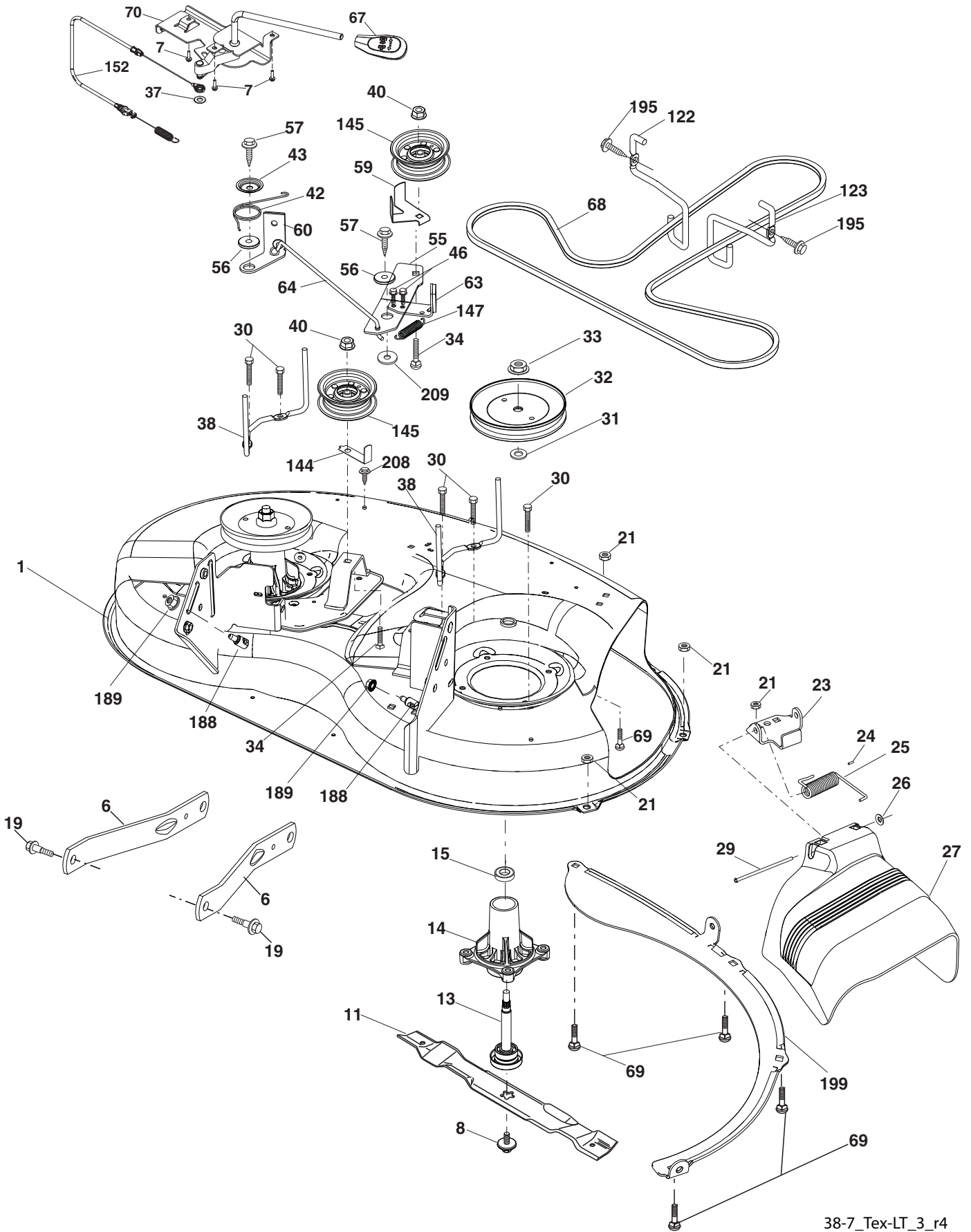
steering-tex_STDSRR_8

**TRACTOR - - MODEL NO. LTH1797 (96041005104), PRODUCT NO. 960 41 00-51
STEERING ASSEMBLY 41**

| KEY NO. | PART NO. | DESCRIPTION |
|----------------|-----------------|-------------------------------------|
| 1 | 532 41 64-80 | Wheel, Steering |
| 2 | 532 41 35-91 | Axle Asm., Front |
| 4 | 532 40 30-87 | Spindle Asm., LH |
| 5 | 532 40 30-88 | Spindle Asm., RH |
| 6 | 532 12 49-31 | Washer Thrust .75 x 1.230 |
| 7 | 532 12 17-48 | Washer 25/32 x 1-5/8 x 16 Ga. |
| 8 | 812 00 00-29 | Ring, Klip #T5304-75 |
| 9 | 532 12 12-32 | Cap, Spindle |
| 13 | 532 12 17-49 | Washer 25/32 x 1-1/4 x 16 Ga. |
| 14 | 810 04 06-00 | Washer, Lock Hvy Hlcl Spr 3/8 |
| 15 | 873 54 06-00 | Nut, Crown Lock 3/8-24 unf |
| 16 | 532 42 93-73 | Shaft Steering |
| 19 | 532 19 47-29 | Plate Steering |
| 20 | 532 41 11-39 | Boot, Steering |
| 21 | 532 18 67-37 | Adapter, Wheel Steering |
| 22 | 532 42 05-37 | Supt., Strg. Lower |
| 26 | 532 41 59-87 | Insert, Wheel Steering |
| 28 | 817 00 06-12 | Screw 3/8-16 x 3/4 |
| 33 | 810 04 05-00 | Washer Lock 5/16 |
| 35 | 532 19 47-32 | Gear, Sector Plate |
| 45 | 819 11 38-12 | Washer 11/32 x 3/8 x 12 Ga. |
| 53 | 532 18 89-67 | Washer Hardened .793 x 1.637 x .060 |
| 57 | 532 40 74-65 | Bracket Upstop |
| 58 | 532 19 47-47 | Bolt Shoulder Sector Pivot CFM |
| 59 | 532 19 47-48 | Washer Thrust Sector Steering |
| 60 | 873 97 10-00 | Nut Flange Lock 5/8-11 |
| 61 | 532 19 47-40 | Draglink, LH |
| 62 | 532 19 47-41 | Draglink, RH |
| 63 | 817 00 05-12 | Screw 5/16-18 x 3/4 |
| 64 | 532 19 98-49 | Retainer Clip Spring Steering |
| 66 | 871 02 07-48 | Bolt Hex Fghd 7/16-14 x 3 Serr |
| 67 | 532 19 47-37 | Bushing PM Front Axle |
| 68 | 873 90 07-00 | Nut Lock Flange 7/16-14 Gr. 5 |
| 69 | 532 19 91-62 | Washer 1.5 x .505 x .118 |
| 70 | 532 19 61-97 | Bracket Deck Susp. Front |
| 71 | 532 19 07-52 | Shaft Extension Steering |
| 72 | 874 78 05-64 | Bolt 5/16-18 unc x 4 Gr. 5 |
| 118 | 532 40 60-13 | Bushing |

NOTE: All component dimensions given in U.S. inches
1 inch = 25.4 mm

TRACTOR - - MODEL NO. LTH1797 (96041005104), PRODUCT NO. 960 41 00-51
MOWER DECK 44

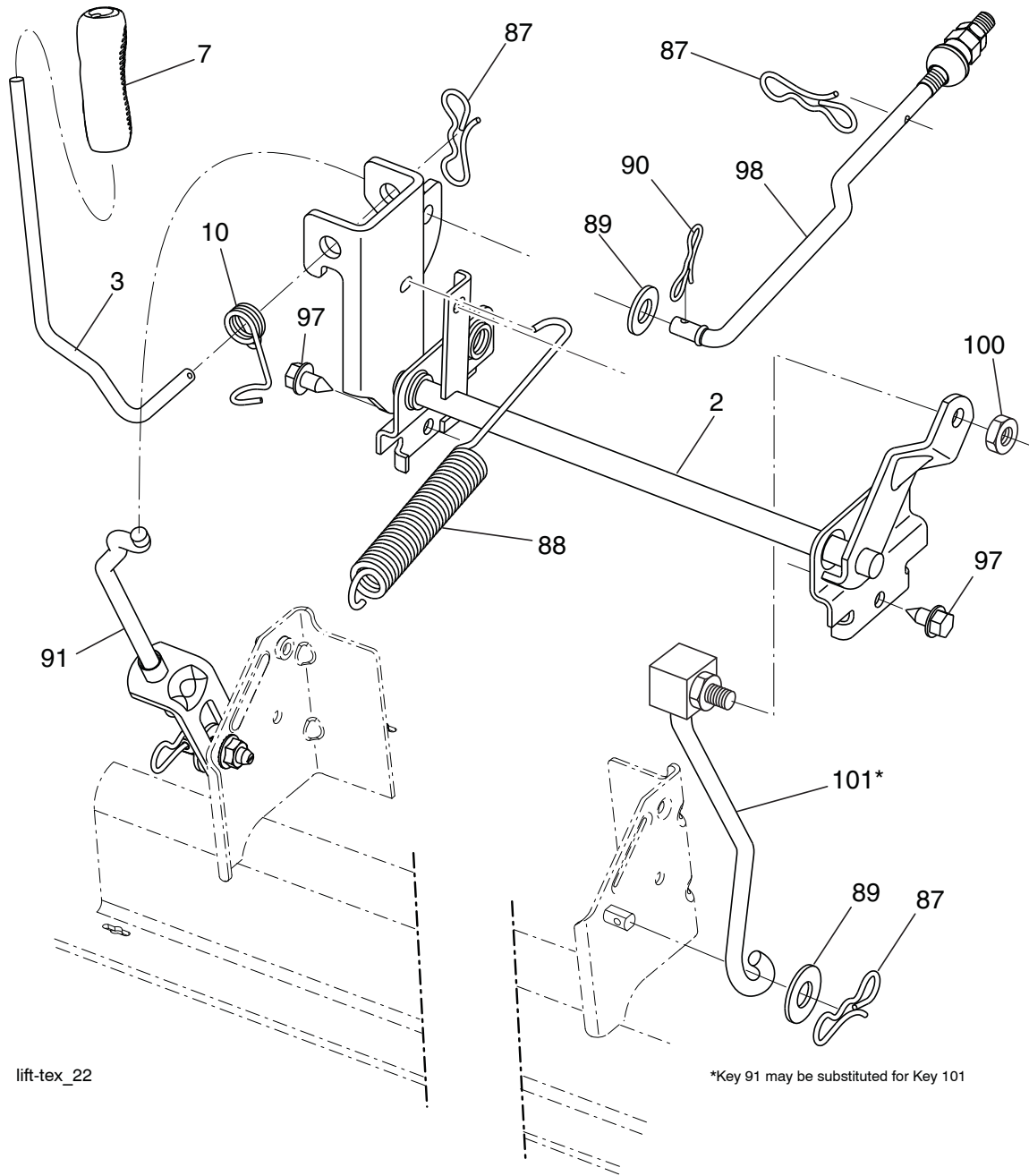


**TRACTOR - - MODEL NO. LTH1797 (96041005104), PRODUCT NO. 960 41 00-51
MOWER DECK 44**

| KEY NO. | PART NO. | DESCRIPTION | KEY NO. | PART NO. | DESCRIPTION |
|------------|--------------|------------------------------------|------------|--------------|---|
| 1 | 532 19 42-51 | Mower Housing | 60 | 532 19 94-71 | Arm Brake Mower |
| 6 | 532 19 51-86 | Arm Suspension | 63 | 532 19 94-70 | Arm Brake Mower |
| 7 | 532 41 63-58 | Screw #10 x 0.750 BOS Thread | 64 | 532 19 97-90 | Link Brake |
| 8 | 532 19 30-03 | Bolt/Washer Asm 7/16-20 unf | 67 | 532 40 30-12 | Handle Clutch Cable |
| 11 | 532 19 39-57 | Blade, 42" Premium | 68 | 532 40 83-81 | V-Belt |
| 13 | 532 19 28-72 | Shaft Assembly, Mandrel | 69 | 872 14 05-05 | Bolt |
| 14 | 532 18 72-81 | Housing, Mandrel | 70 | 532 40 12-46 | Clutch Asm Manual |
| 15 | 532 11 04-85 | Bearing, Ball, Mandrel | 122 | 532 19 72-58 | Keeper Belt Engine LH |
| 19 | 532 19 65-39 | Bolt, Shoulder | 123 | 532 19 72-59 | Keeper Belt Engine RH |
| 21 | 873 68 05-00 | Nut, Crownlock 5/16-18 unc | 144 | 532 19 34-14 | Keeper Belt |
| 23 | 532 19 25-57 | Bracket, Deflector | 145 | 532 19 31-97 | Pulley, Idler, Flat |
| 24 | 532 10 53-04 | Cap, Sleeve | 147 | 532 40 18-72 | Spring Return |
| 25 | 532 19 70-26 | Spring, Torsion, Deflector | 152 | 532 40 87-14 | Manual Clutch Cable |
| 26 | 532 11 04-52 | Nut, Push | 188 | 532 19 51-61 | Stud Fastener |
| 27 | 532 40 14-72 | Shield, Deflector | 189 | 873 90 05-00 | Nut Lock Hex Flange |
| 29 | 532 13 14-91 | Rod, Hinge | 195 | 817 00 06-12 | Screw 3/8-16 x 3/4 |
| 30 | 532 17 39-84 | Screw Thdrol Rolling Wsh Hd | 199 | 532 40 00-95 | Baffle Vortex |
| 31 | 532 18 76-90 | Washer, Spacer | 208 | 817 67 06-08 | Screw Thdrol 3/8-16 x 1/2 |
| 32 | 532 19 97-89 | Pulley, Mandrel | 209 | 819 13 32-10 | Washer 13/32 x 2 x 10 |
| 33 | 532 40 02-34 | Nut, Toplock, Flanged | -- | 532 19 28-70 | Mandrel Assembly (Includes housing, shaft assembly, and bearing only - pulley/nut/washer and blade bolt/washers not included) |
| 34 | 872 11 06-12 | Bolt Carr Sh. 3/8-16 x 1-1/2 Gr. 5 | -- | 532 40 04-22 | Replacement Mower, Complete |
| 37 | 819 13 13-16 | Washer | | | |
| 38 | 532 19 95-41 | Keeper Belt LH Mandrel | | | |
| 40 | 873 90 06-00 | Nut, Lock Flg. 3/8-16 unc | | | |
| 42 | 532 19 84-10 | Spring Torsion Brake | | | |
| 43 | 532 19 72-56 | Spring Torsion Retainer | | | |
| 46 | 532 13 77-29 | Screw 1/4-20 x 5/8 | | | |
| 55 | 532 19 72-49 | Arm, Idler | | | |
| 56 | 532 19 90-92 | Spacer, Retainer | | | |
| 57 | 817 00 06-16 | Screw 3/8-16 x 1 | | | |
| 59 | 532 14 10-43 | Guard, Tuv Idler | | | |

NOTE: All component dimensions given in U.S. inches
1 inch = 25.4 mm

**TRACTOR - - MODEL NO. LTH1797 (96041005104), PRODUCT NO. 960 41 00-51
MOWER LIFT **45****



lift-tex_22

*Key 91 may be substituted for Key 101

| KEY NO. | PART NO. | DESCRIPTION |
|---------|--------------|------------------------------|
| 2 | 532 42 20-27 | Shaft Asm., Lift |
| 3 | 532 19 52-31 | Lever Asm., Lift RH |
| 7 | 532 41 15-55 | Grip, Lever |
| 10 | 532 19 63-14 | Spring Torsion |
| 87 | 532 19 42-09 | Pin Cotter 7/16 Bow Tie Lock |
| 88 | 532 41 07-10 | Spring Lift Assist |
| 89 | 819 19 19-12 | Washer Clear Zinc |
| 90 | 532 19 42-08 | Pin Cotter 5/16 Bow Tie Lock |
| 91 | 532 19 51-81 | Link Lift Susp Mower Rear |

| KEY NO. | PART NO. | DESCRIPTION |
|---------|--------------|----------------------------------|
| 97 | 817 00 06-12 | Screw 3/8-16 x .75 Smgml Tap/R.Z |
| 98 | 532 19 52-70 | Link Lift Susp. Front Mower |
| 100 | 873 93 06-00 | Nut Centerlock 3/8-16 |
| 101 | 532 40 70-03 | Link Asm. Lift FXD |

NOTE: All component dimensions given in U.S. inches
1 inch = 25.4 mm

