

# R147 S

**Spare parts**

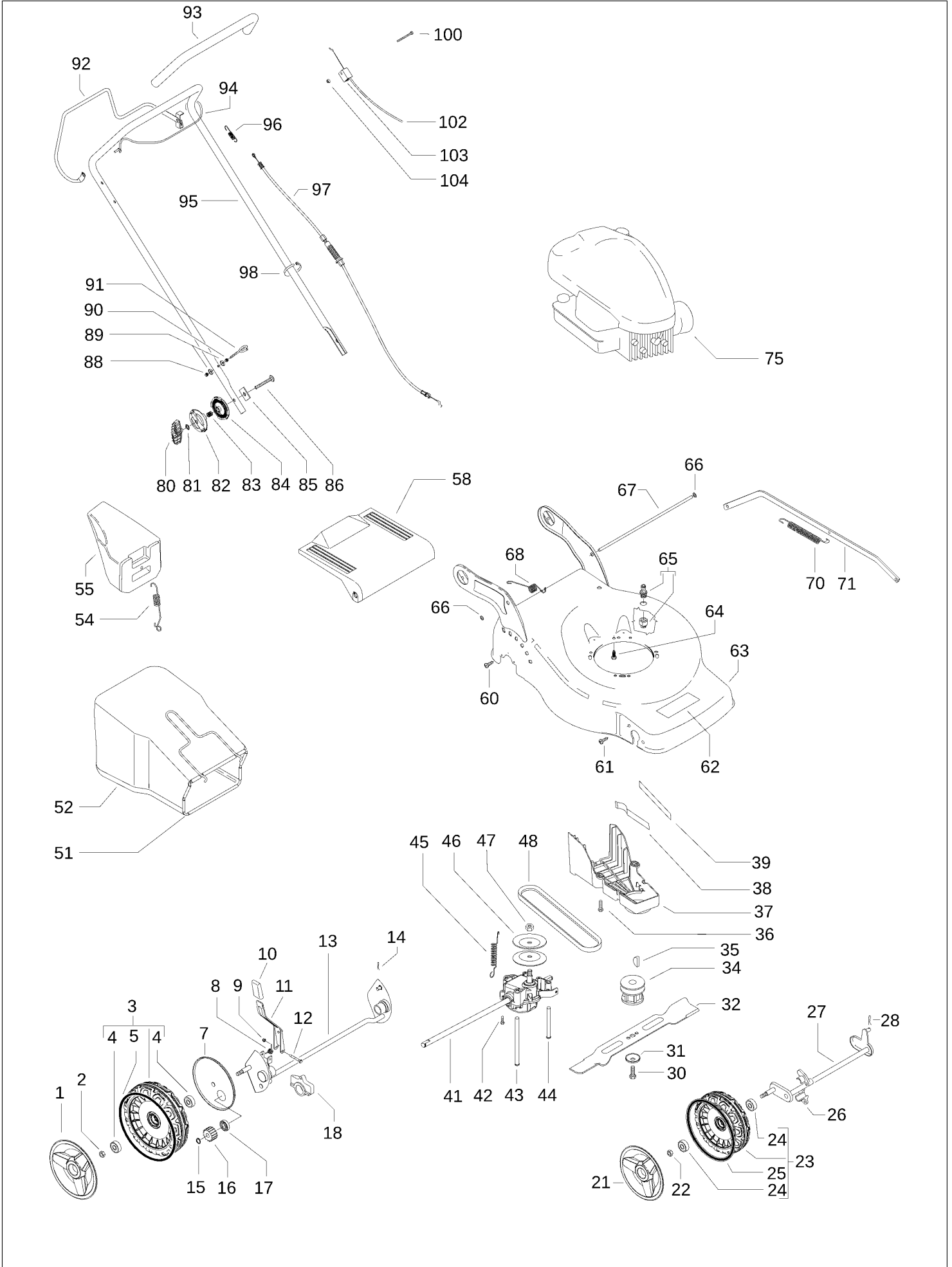
**Ersatzteile**

**Pièces détachées**

**Reserve onderdelen**

**Repuestos**

**Reservdelar**



Item	PN	Description	Qty
1	544 44 39-01	wheel cover Ø210	2
2	504 85 78-01	nut M8, self locking, flanged	2
3	502 44 56-01	wheel assy Ø210	2
4	504 54 82-01	ball bearing	2
5	544 43 28-01	o-ring, wheel Ø210	2
7	504 82 73-01	dust shield Ø210	2
8	531 21 08-17	spring, wheel regulator lever	1
9	531 20 84-92	nut M5, self locking	1
10	531 20 79-86	handle, wheel regulator	1
11	501 97 99-01	wheel regulator lever	1
12	538 23 58-07	screw M5x45	1
13	504 80 01-01	rear axle	1
14	531 20 66-53	cotter pin	1
15	531 20 87-72	seeger	2
16	544 34 23-01	gear	2
17	531 20 87-78	ball bearing	2
18	531 20 59-44	rear axle housing	2
21	544 44 40-01	wheel cover Ø190	1
22	504 85 78-01	nut M8, self locking, flanged	2
23	502 44 50-01	wheel assy Ø190	2
24	504 54 82-01	ball bearing	2
25	544 43 31-01	o-ring, wheel Ø190	2
26	531 20 50-57	front axle housing	4
27	504 85 65-01	front axle	1
28	531 20 66-53	cotter pin	1
30	531 20 80-08	screw, 3/8"	1
31	531 20 72-37	spring washer	1
32	531 21 10-17	mulching blade	1
34	531 20 61-69	blade support	1
35	505 29 09-01	key	1
36	531 20 78-56	screw 5x10	3
37	544 46 22-01	belt cover	1
38	504 04 61-01	belt guide	1
39	544 46 25-01	belt guide	1
41	544 34 32-03	gear box	1
42	538 24 08-62	screw 4x18, self threading	2
43	544 93 44-01	belt guide	1
44	544 93 43-01	belt guide	1
45	544 93 47-01	gear box spring	1
46	504 54 79-01	pulley plate	2
47	504 54 80-01	nut	2
48	504 03 48-01	belt Z28 10X710	1
51	531 21 34-67	sack frame	1
52	531 21 23-65	sack	1
54	531 21 11-84	spring, mulching plug	1
55	531 21 06-17	mulching plug	1
58	531 20 59-81	safety flap	1
60	531 20 82-16	screw 5x16, self threading	2
61	531 20 88-44	screw 4.3x16, self threading	4
62	531 21 24-78	label, Husqvarna	1
63	531 21 38-97	deck	1
64	531 21 28-51	screw 3/8" + split washer	3
65	531 20 58-48	snap on connector 1/2"	1
66	531 21 08-24	lock washer	2
67	531 20 50-60	safety flap bar	1
68	531 21 18-40	spring	1

Item	PN	Description	Qty
70	531 21 37-83	wheel regulation spring	1
71	531 21 05-87	wheel regulation bar	1
75	————	engine, Briggs & Stratton, model number 10T8020136	1
80	531 20 58-40	handle	2
81	531 20 49-22	washer	2
82	531 21 14-74	locking disc, outer	2
83	531 21 14-76	spring	2
84	531 21 14-73	locking disc, inner	2
85	531 21 15-81	plate	2
86	531 21 14-80	screw M8x55	2
88	531 20 84-91	nut M6 self	2
89	531 20 49-61	washer	4
90	531 20 71-65	nut M6	2
91	531 20 51-69	starter cable guide	2
92	531 21 26-76	clutch lever	1
93	531 21 07-25	handle sheat	1
94	531 20 58-63	brake lever	1
95	531 21 20-39	handle	1
96	531 21 05-73	spring, clutch	1
97	544 90 80-01	drive cable	1
98	531 20 55-81	binder	2
100	531 21 35-17	screw M6x80	1
102	531 21 35-22	brake cable	1
103	531 20 80-43	cable support	1
104	531 20 84-91	nut M6	1