

R150 SH

Spare parts

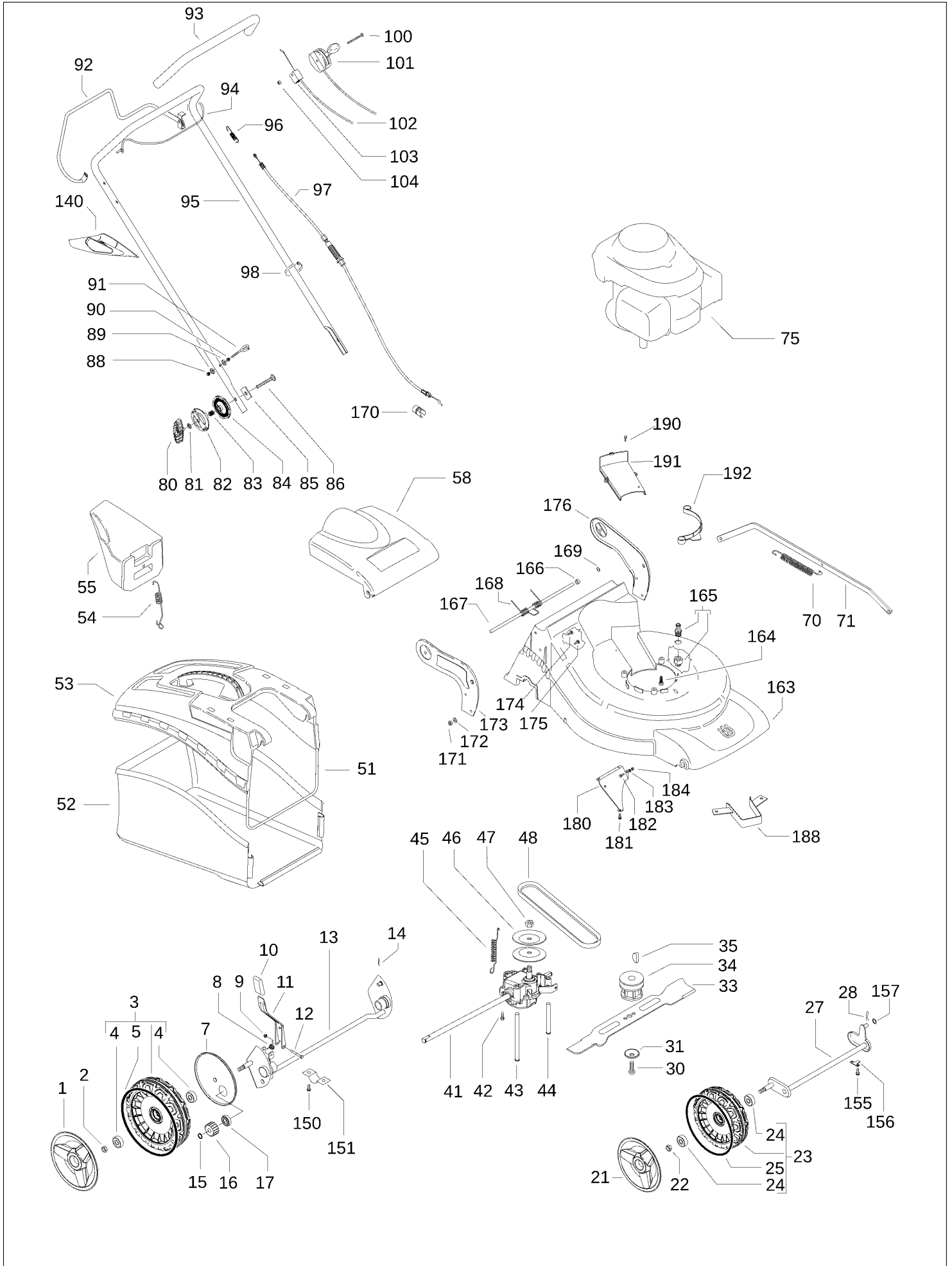
Ersatzteile

Pièces détachées

Reserve onderdelen

Repuestos

Reservdelar



Item	PN	Description	Qty
1	544 44 39-01	wheel cover Ø210	2
2	504 85 78-01	nut M8, self locking, flanged	2
3	502 44 56-01	wheel assy Ø210	2
4	504 54 82-01	ball bearing	2
5	544 43 28-01	o-ring, wheel Ø210	2
7	504 82 73-01	dust shield Ø210	2
8	531 21 08-17	spring, wheel regulator lever	1
9	531 20 84-92	nut M5, self locking	2
10	531 20 79-86	handle, wheel regulator	1
11	501 97 99-01	wheel regulator lever	1
12	538 23 58-07	screw M5x45	1
13	504 80 01-01	rear axle	1
14	531 20 66-53	cotter pin	1
15	531 20 87-72	seeger	2
16	544 34 23-01	gear	2
17	531 20 87-78	ball bearing	2
21	544 44 40-01	wheel cover Ø190	1
22	504 85 78-01	nut M8, self locking, flanged	2
23	502 44 50-01	wheel assy Ø190	2
24	504 54 82-01	ball bearing	2
25	544 43 31-01	o-ring, wheel Ø190	2
27	504 85 65-01	front axle	1
28	531 20 66-53	cotter pin	1
30	531 20 66-49	screw, 3/8"	1
31	531 20 72-37	spring washer	1
32	504 11 33-01	mulching blade	1
34	504 59 13-01	blade support	1
35	504 59 14-01	key	1
41	544 42 89-03	gear box	1
42	510 03 75-01	screw 4x16, self threading	2
43	504 10 32-01	belt guide	1
44	544 93 43-01	belt guide	1
45	544 93 47-01	gear box spring	1
46	504 54 79-01	pulley plate	2
47	504 54 80-01	nut	2
48	504 03 51-01	belt Z33 10X825	1
51	501 32 24-01	sack frame	1
52	531 21 32-11	sack	1
53	501 32 21-01	sack cover	1
54	531 20 58-31	spring, mulching plug	1
55	531 21 32-26	mulching plug	1
58	501 32 23-05	safety flap	1
70	531 20 57-15	wheel regulation spring	1
71	531 21 33-78	wheel regulation bar	1
75	—	engine, Honda, model number GCV160E-A2-G9-SD	1
80	531 20 58-40	handle	2
81	531 20 49-22	washer	2
82	531 21 14-74	locking disc, outer	2
83	531 21 14-76	spring	2
84	531 21 14-73	locking disc, inner	2
85	531 21 15-81	plate	2
86	531 21 14-80	screw M8x55	2
88	531 20 84-91	nut M6 self	2
89	531 20 49-61	washer	4
90	531 20 71-65	nut M6	2

Item	PN	Description	Qty
91	531 20 51-69	starter cable guide	2
92	531 21 26-76	clutch lever	1
93	531 21 07-25	handle sheat	1
94	531 20 58-63	brake lever	1
95	531 21 20-39	handle	1
96	531 21 05-73	spring, clutch	1
97	544 90 80-03	drive cable	1
98	531 20 55-81	binder	2
100	531 21 35-17	screw M6x80	1
101	531 21 35-23	accelerator lever and cable	1
102	531 21 35-22	brake cable	1
103	531 20 80-43	cable support	1
104	531 20 80-63	nut M6	1
140	544 89 93-01	deck scraping tool	1
150	531 20 73-85	screw	4
151	531 20 66-52	rear axle holder	2
155	531 20 78-56	screw	4
156	531 20 55-36	front axle holder	2
157	531 20 49-06	washer	1
163	531 21 34-93	deck	1
164	531 21 38-45	screw 3/8 + split washer	3
165	531 20 58-48	snap on connector 1/2"	1
166	531 21 19-66	spacer	1
167	531 21 33-44	safety flap bar	1
168	501 32 25-01	spring	1
169	531 20 76-57	star washer	2
170	510 41 73-01	cable housing	1
171	531 20 79-82	nut M8	4
172	531 20 79-81	washer	4
173	531 21 20-46	handle support, right	1
174	531 20 57-41	screw M8x16	3
175	531 20 49-21	screw M8x25	1
176	531 21 33-66	handle support, left	1
180	501 96 60-01	deflector	1
181	531 20 78-56	screw	2
182	531 20 78-38	screw M5x16	1
183	531 20 66-66	washer	1
184	531 20 84-92	nut M5, self locking	1
188	544 46 86-01	belt guide	1
190	531 20 78-56	screw	2
191	531 21 32-25	belt cover	1
192	531 20 63-08	cover	1