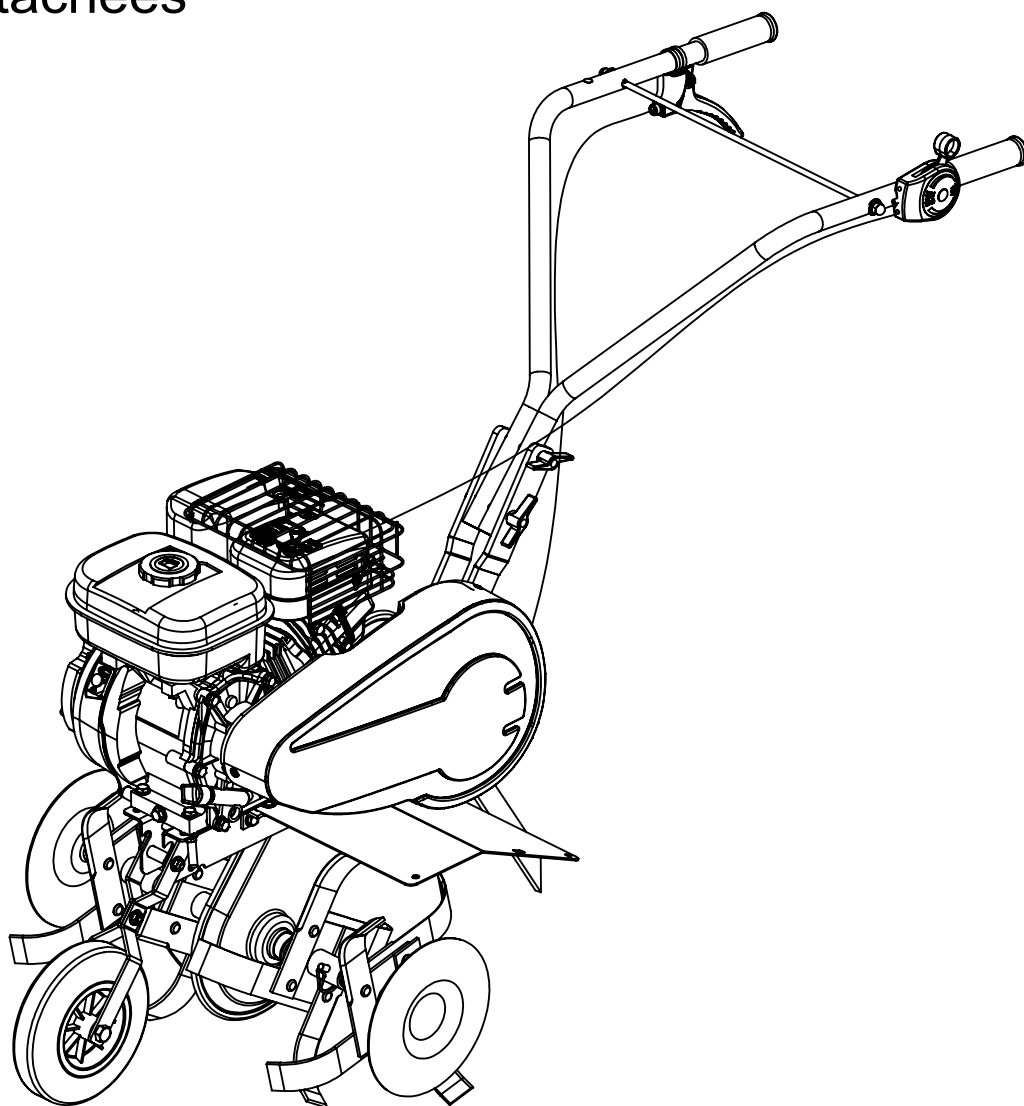


## T40M

Spare parts  
Pièces détachées

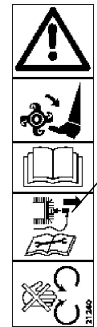
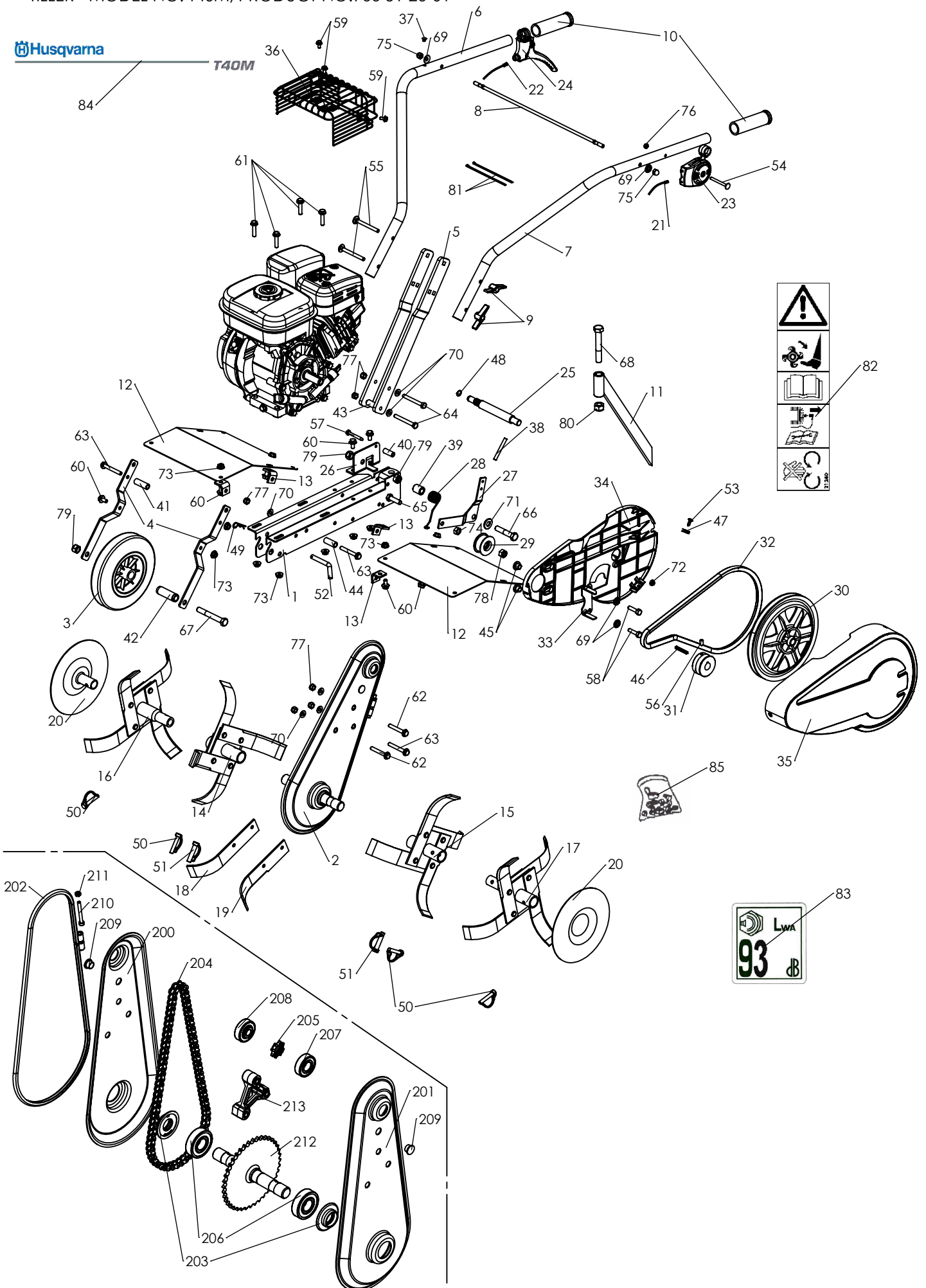


# REPAIR PARTS

TILLER - MODEL NO. T40M, PRODUCT NO.966 51 26-01



T40M



# REPAIR PARTS

TILLER - MODEL NO. T40M, PRODUCT NO.966 51 26-01

Rep N°	Ref.	Description	Designation	Qte
1	575 35 86-01	Grey (627) Compact tiller frame	Chassis motobineuse compact Gris (627)	1
2	575 35 87-01	Transmission, Grey flanged	CART 1/5 JONC xGRIS8x /Jt	1
3	531 00 82-62	BLACK WHEEL D200 BORE 20 LG.60	Roue avant Ø200	1
4	575 35 88-01	Wheel support	Plat support roue à broche	2
5	575 35 89-01	Grey (627) Compact arm	Plat potence compact Gris (627)	2
6	575 35 90-01	Grey (627) right Compact handlebar	Guidon Droit compact Gris (627)	1
7	575 35 91-01	Grey (627) Left Compact handlebar	Guidon gauche Compact Gris (627)	1
8	575 35 94-01	HANDELBAR TIE	Barre guidon Compact	1
9	531 00 84-62	Black handlebar tightening lever	Poignée de serrage guidon noire	2
10	544 31 14-01	HAND SIDE GRIP	Poignée Ø25x120	2
11	531 00 82-06	BLACK SPUR FOR PRIMO	Eperon Noir	1
12	575 35 95-01	Orange RAL 2004 Central tines guard	Tôle protection compact Orange RAL 2004	2
13	575 35 96-01	fixing protective sheet	Patte de fixation tôle de protection	4
14	531 00 82-13	RIGHT TINE REMOVABLE D25	Fraise départ DEM 40x4 D	1
15	531 00 82-11	LEFT TINE REMOVABLE D25	Fraise départ DEM STD 40x4G	1
16	531 00 82-15	RIGHT ADDITIONAL TINE D25	Fraise addit. STD 40x4 D	1
17	531 00 82-14	LEFT ADDITIONAL TINE D25	Fraise addit. STD 40x4 G	1
18	519 65 34-48	Blade RH 40x4	Couteau Droit 40x4	1
19	519 65 34-47	Blade LH 40x4	Couteau Gauche 40x4	1
20	519 65 33-62	DISK D25	Disque Ø25	2
21	575 35 97-01	THROTTLE CABLE LG1300	CABLE GAZ LG1300 CF50	1
22	575 35 98-01	CLUTCH CABLE LG1050 CF137	CABLE EMBR LG1050 CF137	1
23	575 35 99-01	Accelerator lever "min max start stop"	Manette gaz "min max start stop"	1
24	575 36 00-01	lever LAB Ø25 stroke 25	Levier LAB Ø25 course 25 + Tempo Emb fraises	1
25	519 65 30-65	FORWARD GEAR SHAFT MAV	Arbre primaire moto Mav	1
26	575 36 01-01	SUPPORT FOR CLUTCH LEVER	Equerre support Levier d'emb	1
27	519 65 34-07	PLATE FOR CLUTCH LEVER	Levier emb motobineuse	1
28	519 65 30-90	SPRING CP 21 25/10 GALVA	Ressort de torsion levier emb	1
29	519 65 34-57	CLUTCH RUNNER	Galet embrayage	1
30	519 65 30-60	TRANSMISSION PULLEY	Poulie transmission	1
31	544 24 39-01	ENGINE PULLEY D55 BORE Ø19,06	Poulie moteur MAV-MAR Ø55	1
32	575 36 02-01	BELT BAREBACK 6841 Gts	Courroie Bareback 6841 Gts	1
33	531 00 85-77	DRIVE BELT ENGINE PULLEY D55	guide courroie MAR	1
34	575 36 03-01	PLASTIC COVER PLATE	Cache intérieur compact MAV	1
35	531 00 82-07	BELT COVER ORANGE RAL2009	CAPOT COURROIE ECO+99	1
36	575 36 04-01	EXHAUST GRILL GT400	Grille d'échappement GT 400	1
37	523 00 62-01	GATE PIN 10X7X6.5 BLACK	OBTURATEUR 10X7X6.5 NOIR	1
38	519 65 30-67	PULLEY PIN SHAFT	Axe fixation poulie	1
39	575 36 05-01	Clutch lever spacer	Entretoise levier embrayage	1
40	575 36 06-01	SPACER 6.2x12x30 Z	Entretoise Ø6.2xØ12x30z	1
41	575 36 07-01	Spacer Ø8.2 x Ø14 x42	Entretoise Ø8.2 x Ø14 x 42	1
42	575 36 08-01	PLASTIC SPACER 20x12.5x61.5	Entretoise Ø20 x Ø12.5 x 61.5 POM	1
43	575 36 09-01	Spacer Ø9 x Ø14 x 34z	Entretoise Ø9 x Ø14 x 34z	1
44	575 36 10-01	SPACER 14x9x35 xZ	Entretoise Ø9 x Ø14 x 35z	1
45	575 36 11-01	SPACER SHOULDER 13x9x12.5 Z	Entretoise épaulée Ø9 x Ø13 x Ø21 x 12.5	2
46	519 65 30-21	KEY 4.76X4.76X40	Clavette 4.76x4.76x40	1
47	519 65 34-25	CLIPS 4.2	Clips 4.2	3
48	519 65 34-66	CIRCLIP E13	Circlips E 13	1
49	519 65 12-20	CLIP PIN BETA 2 Z	Goupille Béta 2 Z	1
50	531 00 94-11	CLIP PIN D8	Goupille arceau Ø8	4
51	531 00 94-10	CLIP PIN D10	Goupille arceau Ø10	2
52	575 36 12-01	Front wheel pin	Broche roue transport Motob Ø10	1
53	519 65 34-26	SCREW POZI 4.2X16Z	Vis Tôle 4.2x19	3
54	544 31 31-01	SCREW TBCC M6X60 Z	Vis TBCC M6x60 z	1
55	575 36 13-01	Screw TRCC M8x80 z DIN 603 cl 4.6	Vis TBCC M8x80 z	2
56	728 69 23-00	SCREW ST HC M8X16	Vis ST HC M8x16	1
57	575 36 14-01	Self-tapping screw HM6x50 z	Vis HM 6x50 z autota.	1
58	531 00 85-86	SCREW 5/16 TH 24 UNF LG 32	Vis 5/16 TH24z Lg.32 emb cr	2
59	575 36 15-01	Vis HM6 x 12 smooth base	Vis HM6 x 12 embase lisse	3

# REPAIR PARTS

TILLER - MODEL NO. T40M, PRODUCT NO.966 51 26-01

Rep N°	Ref.	Description	Designation	Qte
60	531 00 82-02	SCREW H M8X16 Z	Vis HM 8x16 z emb cr	7
61	544 20 73-01	SCREW H 8x35 Z DIN 6921	Vis HM 8x35 z emb cr	4
62	575 36 16-01	SCREW H 8x55 Z DIN 6921	Vis HM 8x55 z emb cr	2
63	573 94 31-01	Screw M8 x 60z notched shoulder	Vis M8 x 60z emb cr	3
64	575 36 17-01	SCREW H 8 X 70/22Z DIN 931/6.8	Vis HM 8x70 z	2
65	519 65 34-55	SCREW HM 10X35Z FST	Vis HM 10x35z FST	1
66	575 36 18-01	Screw H M12 x 60 z	Vis H M12 x 60 z	1
67	575 36 19-01	Screw HM12x90/30z	Vis HM12x90/30z cl 8-8 DIN 931	1
68	531 00 82-20	Screw H M14x90-34 z cl 8.8 NFE 24014 - ISO 4014	Vis H M14x90-34 z cl 8.8 ISO 4014	1
69	544 31 49-01	CONTACT WASHER 8	Rondelle contact 8	4
70	544 20 81-01	PLATE WASHER M 8X18X1.5 Z	Rondelle M8x18x1.5 Z	8
71	519 65 34-53	PLATE WASHER M 12X27X2.5 Z	Rondelle M 12x27x2.5 Z	1
72	519 65 34-32	NUT H M6 Z NOTCHED SHOULDER	ECROU HM 6 ZEMB CR DIN 6923	1
73	519 65 34-30	NUT H M8 Z NOTCHED SHOULDER	Ecrou H M8 z emb cr	12
74	519 65 34-56	NUT HM 10Z	Ecrou HM 10z	1
75	501 99 22-01	Cap nut M8z	Ecrou borgne M8	2
76	732 26 16-01	BLOCKING NUT M 6 Z	Ecrou frein M 6 Z	1
77	544 20 79-01	BLOCKING NUT HM 8 Z DIN 985/8	Ecrou frein M8 Z	6
78	519 65 34-58	BLOCKING NUT M 10 Z	Ecrou frein M 10 Z	1
79	752 25 50-51	BLOCKING NUT M 12 Z	Ecrou frein M 12 Z	3
80	531 00 85-78	Blocking nut M 14 Z DIN 985-8	Ecrou frein M14 Z	1
81	544 31 11-01	COLLAR	Collier polya	2
82	531 00 85-40	STICKER SECURITY	Etiqu. "sécurité"	1
83	501 96 25-01	STICKER NOISE LEVEL '93Db'	"ETIQ. ""NIVEAU DE BRUIT"" 93	1
84	575 36 20-01	STICKER x HUSQVARNA T40M	ETIQ HUSQVARNA T40M	1
85	575 36 22-01	BAG OF SCREW FOR COMPACT	POCH. VISS xMOTOB COMPACTx	1
200	519 65 30-41	RIGHT TRANSMISSION HOUSING 1/5	JOUE CARTER ECO (Ø 65)1/5 D	1
201	519 65 30-42	LEFT TRANSMISSION HOUSING 1/5	JOUE CARTER ECO (Ø 65) 1/5 G	1
202	519 65 30-43	FLANGE 1/5 x ORANGE RAL2004	JONC CARTER 1/5 ORANGE	1
203	531 00 85-76	PLASTIC SEAL FOR TRANS 1/5	JOINT CARTER 1/5 (062/025)NOIR	2
204	575 36 23-01	CHAIN (80 LINKS RSF) 08B	CHAINE ISO 08B-1 pas 12.7mm	1
205	519 65 30-57	PIGNON 8 TOOTH 12.7	PIGNON 8 DTS 12.7 SIMPLE	1
206	519 65 30-53	BALL BEARING 6305 2RS	ROULEMENT 6305 2 RS cl: 0	2
207	505 54 40-01	SPECIAL BALL BEARING	ROULEMENT SPECIAL TYPE 62042RS	1
208	531 00 85-46	SPECIAL BALL BEARING 6204 2RS	ROULEMENT 6204 2RS EPAULE	1
209	519 65 33-91	GREASE CAP	CAPE BOUCHON SR1011 M16	2
210	501 96 38-01	SCREW CHC 6 X 55 Z	VIS CHC 6 X 55 Z	1
211	732 26 16-01	BLOCKING NUT M 6 Z	ECROU FREIN M 6 Z DIN 985-8	1
212	519 65 30-07	BLADE SHAFT 1/5	ARBRE TRAVAIL 1/5 SOUDE AVEC	1
213	519 65 30-06	PLASTIC SPACER FOR TRANSMISSIO	ENTRETOI. PLASTIQ CART. 1/5	1