

# R153 SV

**Spare parts**

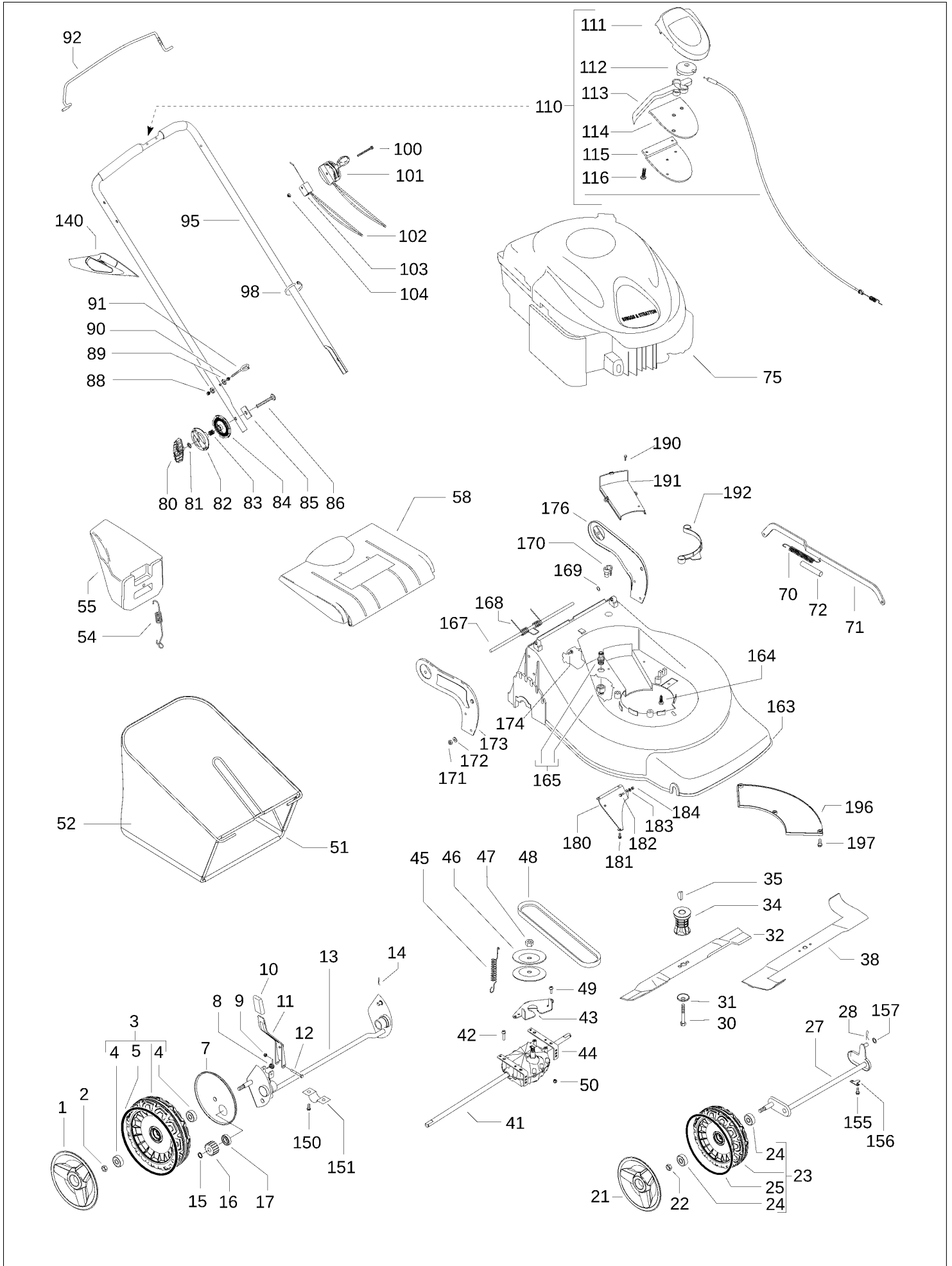
**Ersatzteile**

**Pièces détachées**

**Reserve onderdelen**

**Repuestos**

**Reservdelar**



Item	PN	Description	Qty
1	544 44 39-01	wheel cover Ø210	2
2	504 85 78-01	nut M8, self locking, flanged	2
3	502 44 56-01	wheel assy Ø210	2
4	504 54 82-01	ball bearing	2
5	544 43 28-01	o-ring, wheel Ø210	2
7	504 82 73-01	dust shield Ø210	2
8	531 21 08-17	spring, wheel regulator lever	1
9	531 20 84-92	nut M5, self locking	2
10	531 20 79-86	handle, wheel regulator	1
11	501 97 99-01	wheel regulator lever	1
12	538 23 58-07	screw M5x45	1
13	504 84 76-01	rear axle	1
14	531 20 66-53	cotter pin	1
15	531 20 87-72	seeger	2
16	544 34 23-01	gear	2
17	531 20 87-78	ball bearing	2
21	544 44 40-01	wheel cover Ø190	1
22	504 85 78-01	nut M8, self locking, flanged	2
23	502 44 50-01	wheel assy Ø190	2
24	504 54 82-01	ball bearing	2
25	544 43 31-01	o-ring, wheel Ø190	2
27	504 85 66-01	front axle	1
28	531 20 66-53	cotter pin	1
30	531 20 66-49	screw, 3/8"	1
31	531 20 72-37	spring washer	1
32	531 21 16-46	mulching blade	1
34	531 20 78-48	blade support	1
<b>35</b>	<b>505 29 09-01</b>	<b>key</b>	<b>1</b>
38	531 21 36-95	collecting blade	1
41	544 37 62-02	gear box	1
42	503 21 75-20	screw	4
43	544 46 86-01	belt guide	1
44	504 88 71-01	bracket	2
45	544 93 47-01	gear box spring	1
46	504 54 79-01	pulley plate	2
47	504 54 80-01	nut	2
48	531 20 67-01	belt Z32 3/4	1
49	538 24 30-62	screw M5x16	4
50	531 20 52-13	nut M5	4
51	531 20 83-80	sack frame	1
52	531 20 83-83	sack	1
54	531 20 58-31	spring, mulching plug	1
55	531 21 06-18	mulching plug	1
<b>58</b>	<b>531 20 65-18</b>	<b>safety flap</b>	<b>1</b>
70	531 20 57-15	wheel regulation spring	1
71	531 21 07-72	wheel regulation bar	1
72	531 21 15-97	spring sheating	1
<b>75</b>	—	<b>engine, Briggs &amp; Stratton, model number 1006022150</b>	<b>1</b>
80	531 20 58-40	handle	2
81	531 20 49-22	washer	2
82	531 21 14-74	locking disc, outer	2
83	531 21 14-76	spring	2
84	531 21 14-73	locking disc, inner	2
85	531 21 15-81	plate	2
86	531 21 14-80	screw M8x55	2

Item	PN	Description	Qty
88	531 20 84-91	nut M6 self	2
89	531 20 49-61	washer	4
90	531 20 71-65	nut M6	2
91	531 20 51-69	starter cable guide	2
92	544 46 38-01	brake lever	1
95	544 91 48-01	handle	1
98	531 20 55-81	binder	2
100	531 21 35-17	screw M6x80	1
101	531 21 34-91	accelerator lever and cable	1
102	531 21 35-22	brake cable	1
103	531 20 80-43	cable support	1
104	531 20 80-63	nut M6	1
110	544 93 29-04	EZ control assy	1
111	532 19 57-61	cover	1
112	532 18 73-53	pulley	1
113	532 19 00-37	lever	1
114	532 19 57-62	plate	1
115	532 18 70-97	holder	1
116	532 18 16-98	screw	5
140	544 89 93-01	deck scraping tool	1
150	531 20 73-85	screw	4
151	531 20 66-52	rear axle holder	2
155	531 20 78-56	screw	4
156	531 20 55-36	front axle holder	2
157	531 20 49-06	washer	1
163	531 21 34-85	deck	1
164	531 21 38-45	screw 3/8 + split washer	3
165	531 20 58-48	snap on connector 1/2"	1
167	531 20 65-25	safety flap bar	1
168	501 32 25-01	spring	1
169	531 20 76-57	star washer	2
<b>170</b>	<b>510 41 73-01</b>	<b>cable housing</b>	<b>1</b>
171	531 20 79-82	nut M8	4
172	531 20 79-81	washer	4
173	531 21 20-46	handle support, right	1
174	531 20 57-41	screw M8x16	4
176	531 21 33-66	handle support, left	1
180	531 20 57-34	deflector	1
181	531 20 78-56	screw	3
182	531 20 78-38	screw M5x16	1
183	531 20 66-66	washer	1
184	531 20 84-92	nut M5, self locking	2
190	531 20 78-56	screw	2
191	531 21 32-25	belt cover	1
192	531 20 63-08	cover	1
196	531 20 65-20	cover	1
197	531 20 78-56	screw	3