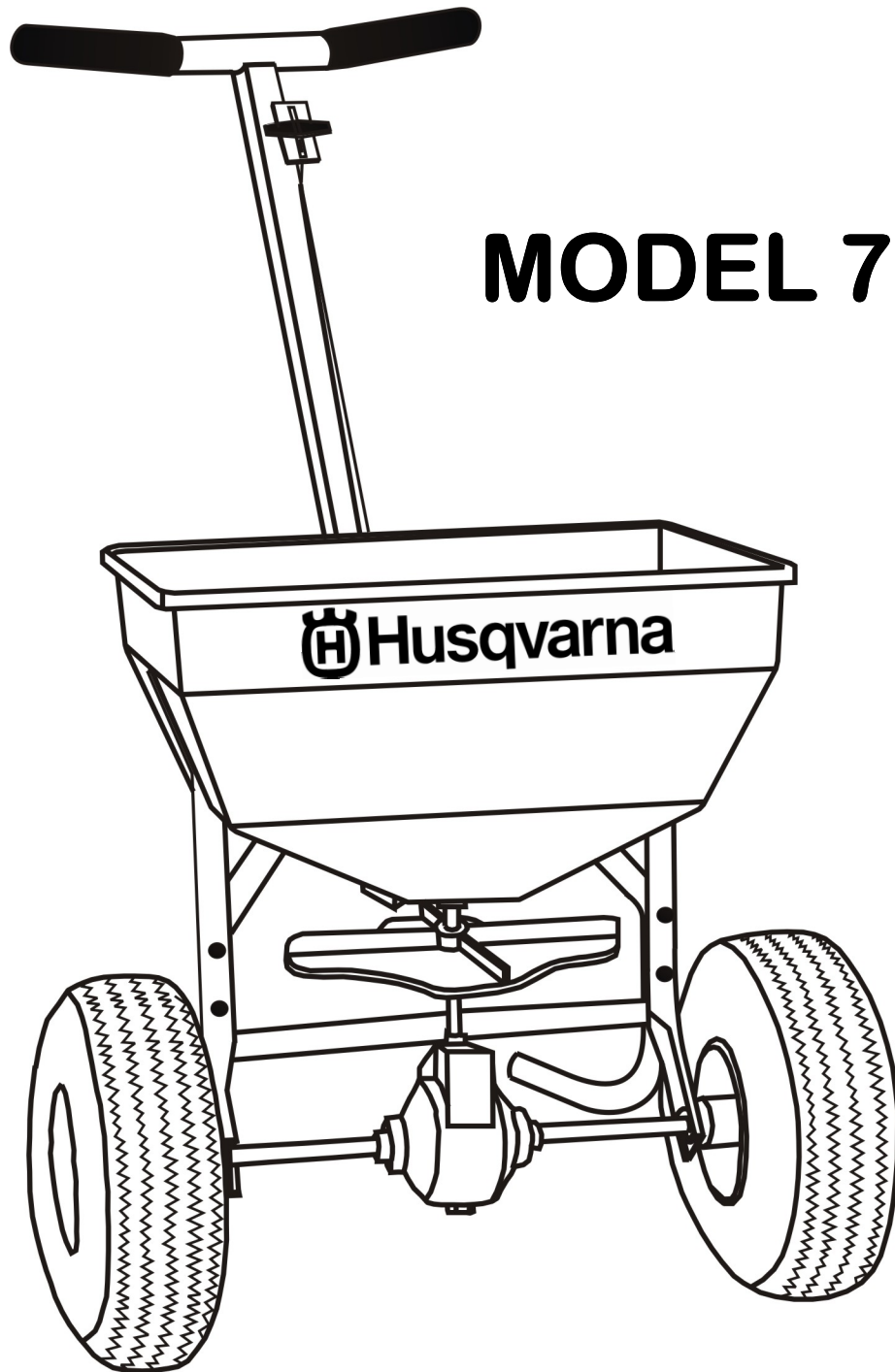


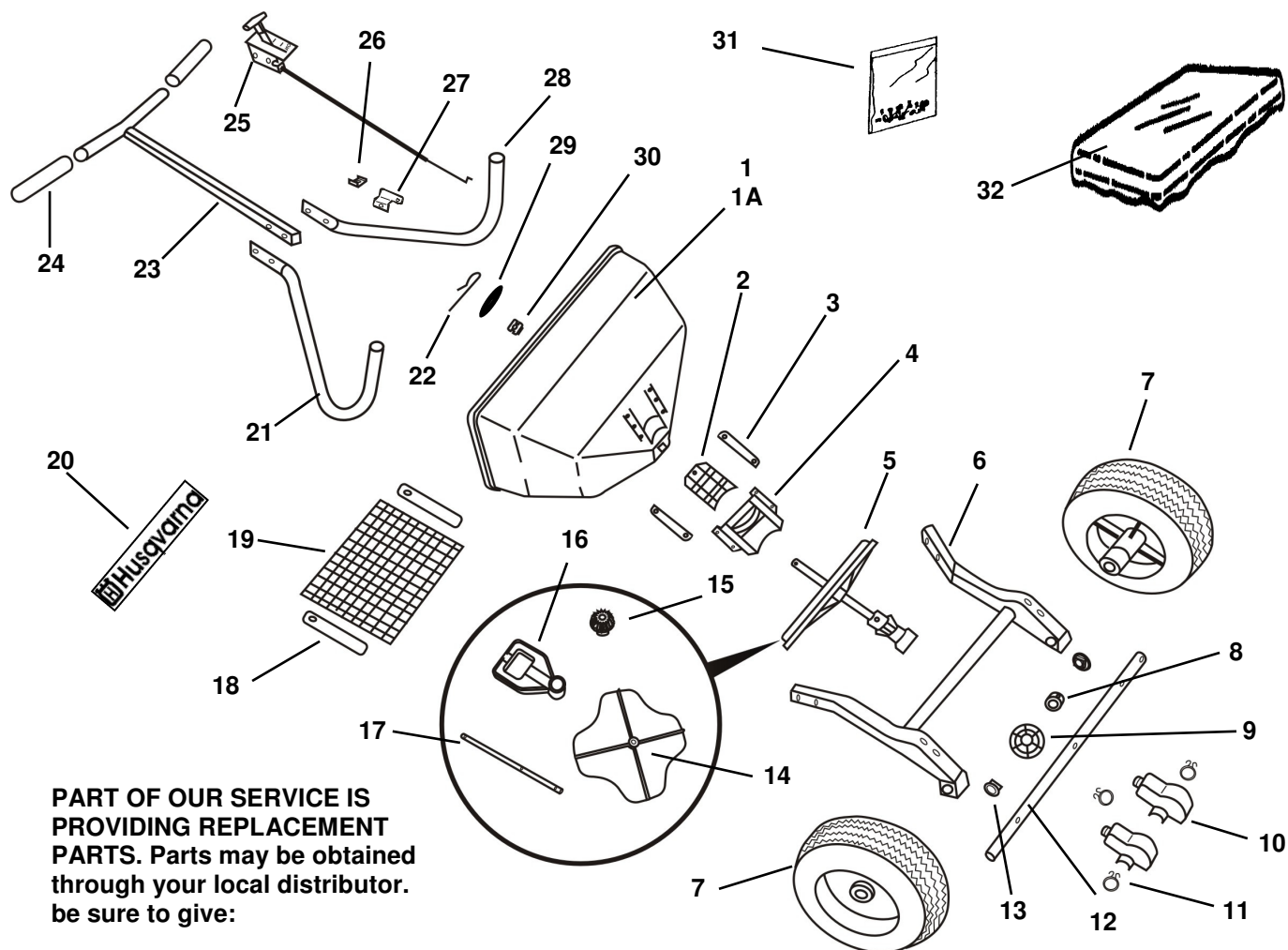
# Husqvarna



**MODEL 70 LP**

**OWNER'S MANUAL**

# Parts List Model 70 LP



PART OF OUR SERVICE IS PROVIDING REPLACEMENT PARTS. Parts may be obtained through your local distributor. be sure to give:

1. SPREADER MODEL NUMBER
2. SPREADER NAME
3. PART NUMBER
4. NAME OF PART AS SHOWN

 **Husqvarna**

7349 Statesville Road  
Charlotte, NC. 28269  
(800) 448-7543

Key	Description	Part No.	Key No.	Description	Part No.
1	Hopper Assembly	525 56 82-06	17	Impeller Shaft	525 56 87-06
1A	Hopper *	525 56 82-07	18	Screen Clip (2 Req.)	525 56 91-02
2	Shutoff Plate *	525 56 84-03	19	Hopper Screen	525 56 82-08
3	Shutoff Plate Guides (Set)*	525 56 84-04	20	Hopper Label *	525 56 82-08
4	Rate Cam & Chute Assembly *	525 56 83-03	21	Handle Brace W/ Plug- LH.	525 56 85-05
5	Impeller Assembly	525 56 87-05	22	Agitator	525 57 00-01
6	Frame Assembly	525 556 92-02	23	Upper Handle Assembly	525 56 85-07
7	Drive & Free Turning Wheel	525 56 96-02	24	Handle Grip (2 Req.)	525 56 85-08
8	Axle Collar	525 56 86-06	25	On/Off Control	525 56 93-02
9	Axle Gear	525 56 86-05	26	Cable Clamp	525 56 90-01
10	Gear Cover Assembly (2 Req.)	525 56 88-05	27	Bracket-Cable Clamp	525 56 90-02
11	Gear Cover Clamp (3 Req.)	525 56 88-06	28	Handle Brace W/ Plug- RH.	525 56 85-06
12	Axle	525 56 86-07	29	Hopper Plug*	525 56 82-11
13	Axle Bushing (2 Req.)	525 56 86-08	30	Impeller Shaft Bearing *	525 56 87-07
14	Impeller	525 56 87-01	31	Fastener/Parts Package	525 56 94-02
15	Pinion Gear	525 56 88-07	32	Hopper Cover	525 56 82-09
16	Gear Support	525 56 88-08			

\* Parts included in Hopper Assembly