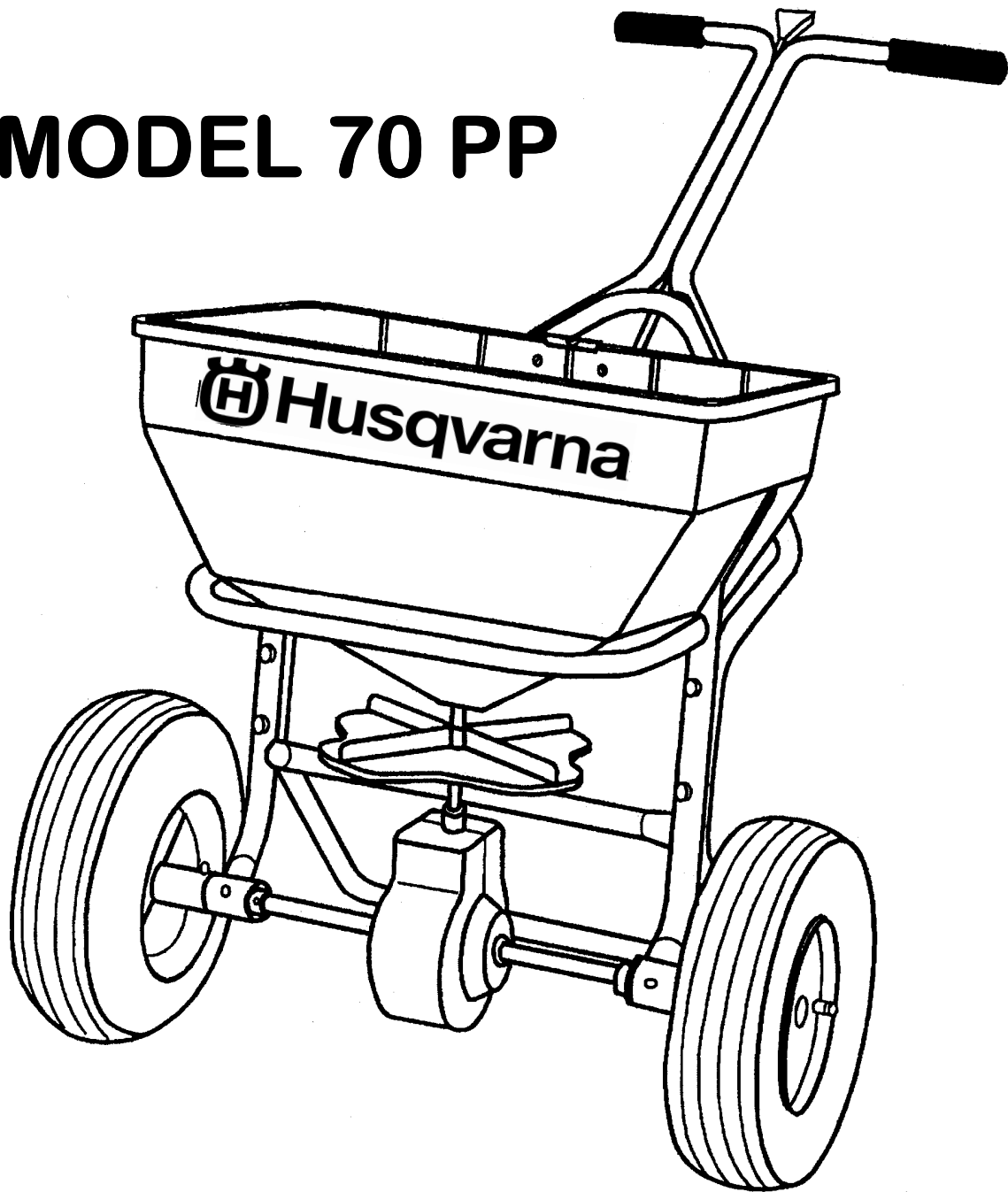


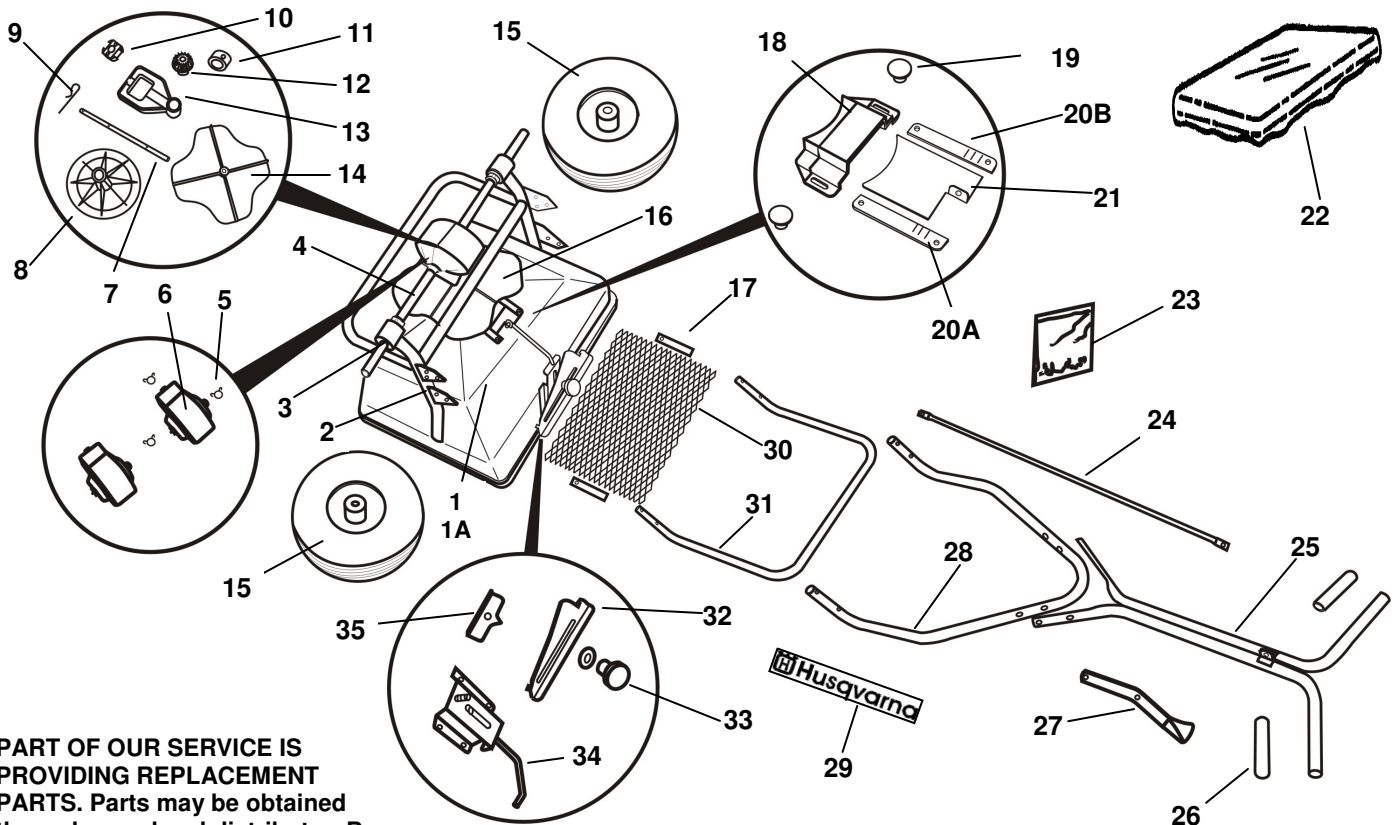
# Husqvarna

**MODEL 70 PP**



**OWNER'S MANUAL**

# Parts List Model 70 PP



PART OF OUR SERVICE IS PROVIDING REPLACEMENT PARTS. Parts may be obtained through your local distributor. Be sure to give:

1. SPREADER MODEL NUMBER
2. SPREADER NAME
3. PART NUMBER
4. NAME OF PART AS SHOWN

IF YOUR LOCAL DISTRIBUTOR CANNOT SUPPLY PARTS, CONTACT:

**Husqvarna**

7349 Statesville Road  
Charlotte, NC. 28269  
(800) 448-7543

Key No.	Description	Part No.	Key No.	Description	PART NO.
1	Hopper Assembly	525 56 82-01	19	Discharge Chute Knob (2 Req.)*	525 56 83-02
1A	Hopper*	525 56 82-02	20A	Shutoff Plate Guide-RH.*	525 56 83-05
2	Frame Assembly	525 56 92-01	20B	Shutoff Plate Guide-LH.*	525 56 83-04
3	Axle Bearing (4 Req.)	525 56 86-03	21	Shutoff Plate*	525 56 84-01
4	Axle	525 56 86-01	22	Hopper Cover	525 56 82-04
5	Gear Cover Clamp (3 Req.)	525 56 88-02	23	Fastener Package	525 56 94-01
6	Gear Cover Assembly	525 56 88-01	24	Control Tube	525 56 89-01
7	Impeller Shaft	525 56 87-03	25	Upper Handle	525 56 85-03
8	Axle Gear	525 56 86-04	26	Handle Grip (2 Req.)	525 56 85-02
9	Agitator	525 56 00-02	27	Handle Lever Ass'y w/Chain	525 56 85-01
10	Impeller Shaft Bearing*	525 56 87-02	28	Handle Brace	525 56 85-04
11	Axle Collar w/ Scr. (3 Req.)	525 56 86-02	29	Hopper Label	525 56 82-05
12	Pinion Gear	525 56 88-04	30	Hopper Screen	525 56 82-03
13	Gear Support	525 56 88-03	31	Leg	525 56 98-01
14	Impeller	525 56 87-04	32	Rate Plate*	525 56 84-02
15	Drive & Free Turning Wheel	525 56 96-02	33	Rate Control Knob*	525 56 93-01
16	Impeller Assembly	525 56 87-08	34	Spring Housing Assembly*	525 56 95-01
17	Screen Clip (2 Req.)	525 56 91-01	35	Pointer*	525 56 97-01
18	Discharge Chute*	525 56 83-01			

\*Parts included in hopper assembly