



Husqvarna

Parts Manual

Power Rake Seeder

Models

DTF226 / 966067101

DTF6(BF) / 966067201

SD22B5DSA / 966067801

DTF22 / 966068401

DTF226 / 966068501

SD22H5DSA / 966068701

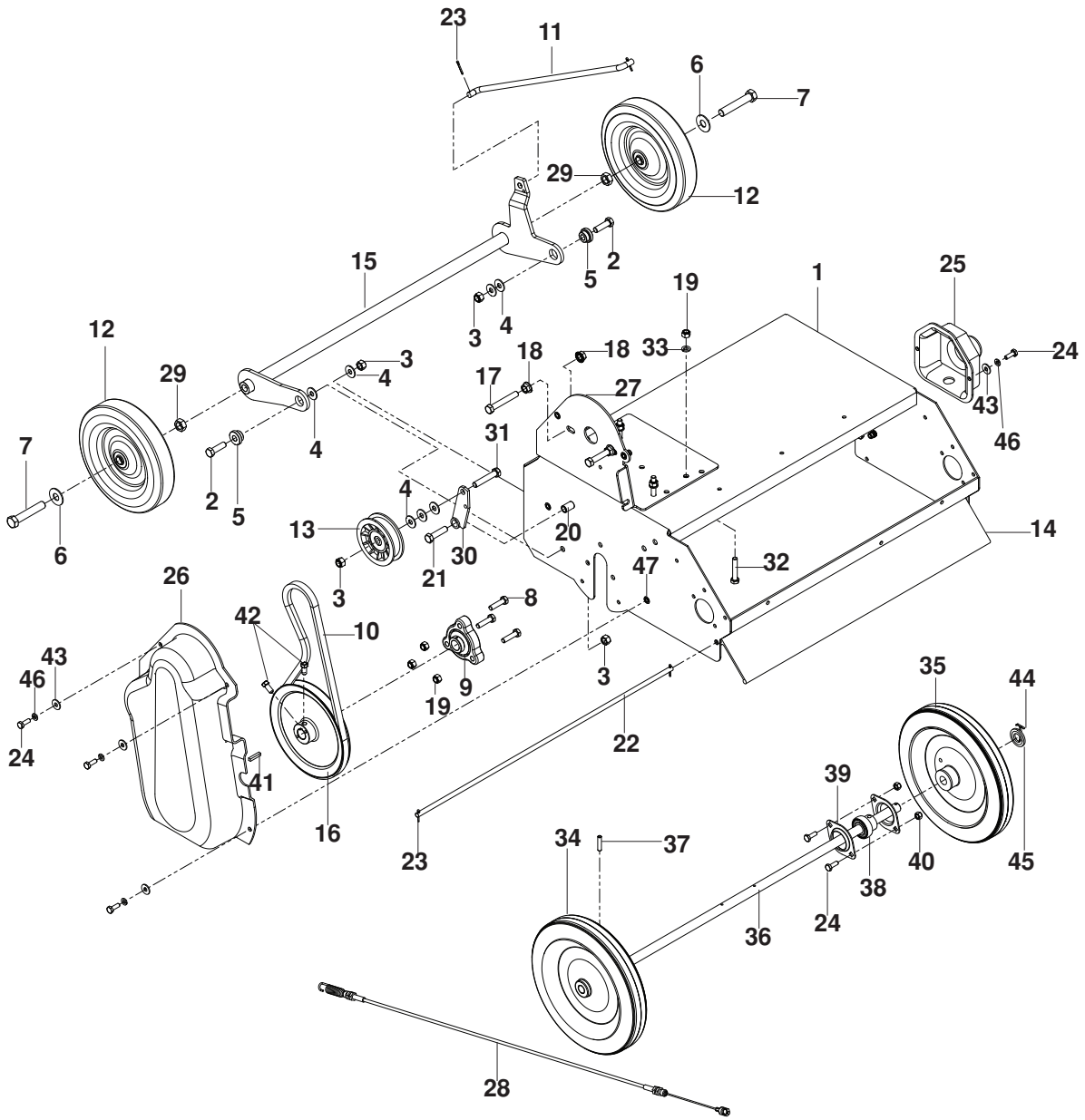
Please read the operator's manual carefully and make sure you understand the instructions before using the machine.

CONTENTS

FRAME.....	4
HANDLE	6
FLAIL BLADE.....	8
DELTA BLADE	10
DECALS.....	12
ACCESSORIES.....	14
SEEDER.....	14

NOTE: ALL FASTENERS ARE GRADE 5 UNLESS OTHERWISE SPECIFIED.

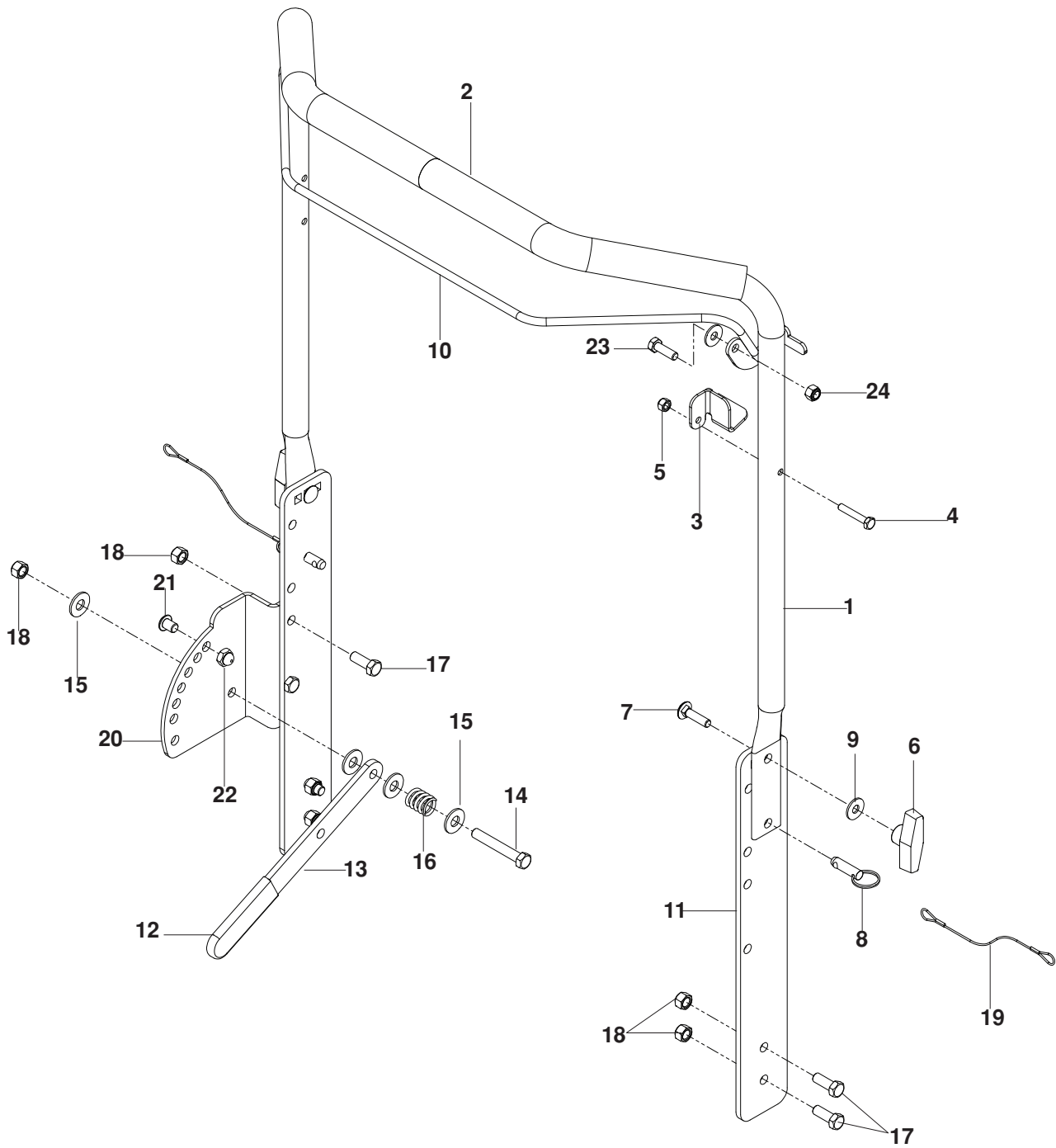
FRAME



FRAME

ITEM	PART NO.	QTY.	DESCRIPTION	ITEM	PART NO.	QTY.	DESCRIPTION
1..	525 858501....	1	BODY	25..	539 106754....	1	SHAFT GUARD
2..	539 976941....	2	HCS $\frac{3}{8}$ -16 x $1\frac{1}{4}$	26..	539 108069....	1	BELT GUARD
3..	539 976979....	4	NUT $\frac{3}{8}$ -16 NYLOC	27..	539 106772....	1	BACKING PLATE
4..	539 990692....	7	WASHER $\frac{5}{16}$	28..	539 106849....	1	CABLE
5..	539 106847....	2	BUSHING	29..	539 990625....	2	NUT $\frac{1}{2}$ -13 JAM
6..	539 990550....	2	WASHER, $\frac{1}{2}$	30..	539 108067....	1	IDLER, ARM
7..	539 101332....	2	HCS $\frac{1}{2}$ -13 x $2\frac{3}{4}$	31..	539 990588....	1	HCS $\frac{3}{8}$ -16 x 2
8..	539 990627....	6	HCS $\frac{5}{16}$ -18 x $1\frac{1}{4}$	32..	539 990669....	4	HCS $\frac{5}{16}$ -18 x $1\frac{3}{4}$
9..	539 100488....	2	BEARING FLANGE C.I.	33..	539 990187....	4	LOCKWASHER $\frac{5}{16}$
10..	539 100439....	1	BELT	34..	540 000058....	1	WHEEL, 10x1.75 DRILLED
11..	539 106805....	1	LINKAGE	35..	540 053401....	1	WHEEL, 10x1.75 w/ BUSHING
12..	540 075051....	4	WHEEL, 8 x 1.75	36..	539 106663....	1	REAR AXLE
13..	539 110311....	1	IDLER PULLEY, HYDRO'S	37..	539 109273....	1	PIN ROLL $\frac{1}{4}$ x $1\frac{1}{8}$
14..	539 106643....	1	REAR FLAP	38..	539 000319....	2	BEARING $\frac{5}{8}$ w/ COLLAR
15..	539 106759....	1	AXLE, FRONT	39..	539 000321....	4	BRG FLANGETTE $\frac{5}{8}$ 2 BOLT
16..	539 100511....	1	PULLEY, 7"	40..	539 976978....	4	NUT $\frac{1}{4}$ -20, NYLOC
17..	539 990637....	2	HCS $\frac{3}{8}$ -16 x $2\frac{1}{2}$	41..	539 910061....	1	KEY $\frac{1}{4}$ SQ x $1\frac{1}{8}$
18..	539 990613....	4	NUT $\frac{3}{8}$ -16 WHIZLK	42..	539 102717....	2	SCREW $\frac{5}{16}$ -18 x $\frac{5}{8}$ SET
19..	539 990717....	10	NUT $\frac{5}{16}$ -18 NYLOC	43..	539 990598....	6	WASHER $\frac{1}{4}$
20..	539 100482....	1	BUSHING	44..	539 990297....	1	COTTER PIN $\frac{1}{8}$ x $1\frac{1}{2}$
21..	539 990655....	1	HCS $\frac{3}{8}$ -16 x $1\frac{1}{2}$	45..	539 976982....	1	WASHER $\frac{5}{8}$ SAE
22..	539 106672....	1	FLAP ROD	46..	539 990052....	6	WASHER $\frac{1}{4}$ SPLIT LOCK
23..	539 990037....	4	PIN COTTER $\frac{3}{4}$	47..	539 108147....	6	KNURLED INSERT $\frac{1}{4}$ -20
24..	539 990580....	10	HCS $\frac{1}{4}$ -20 x $\frac{3}{4}$				

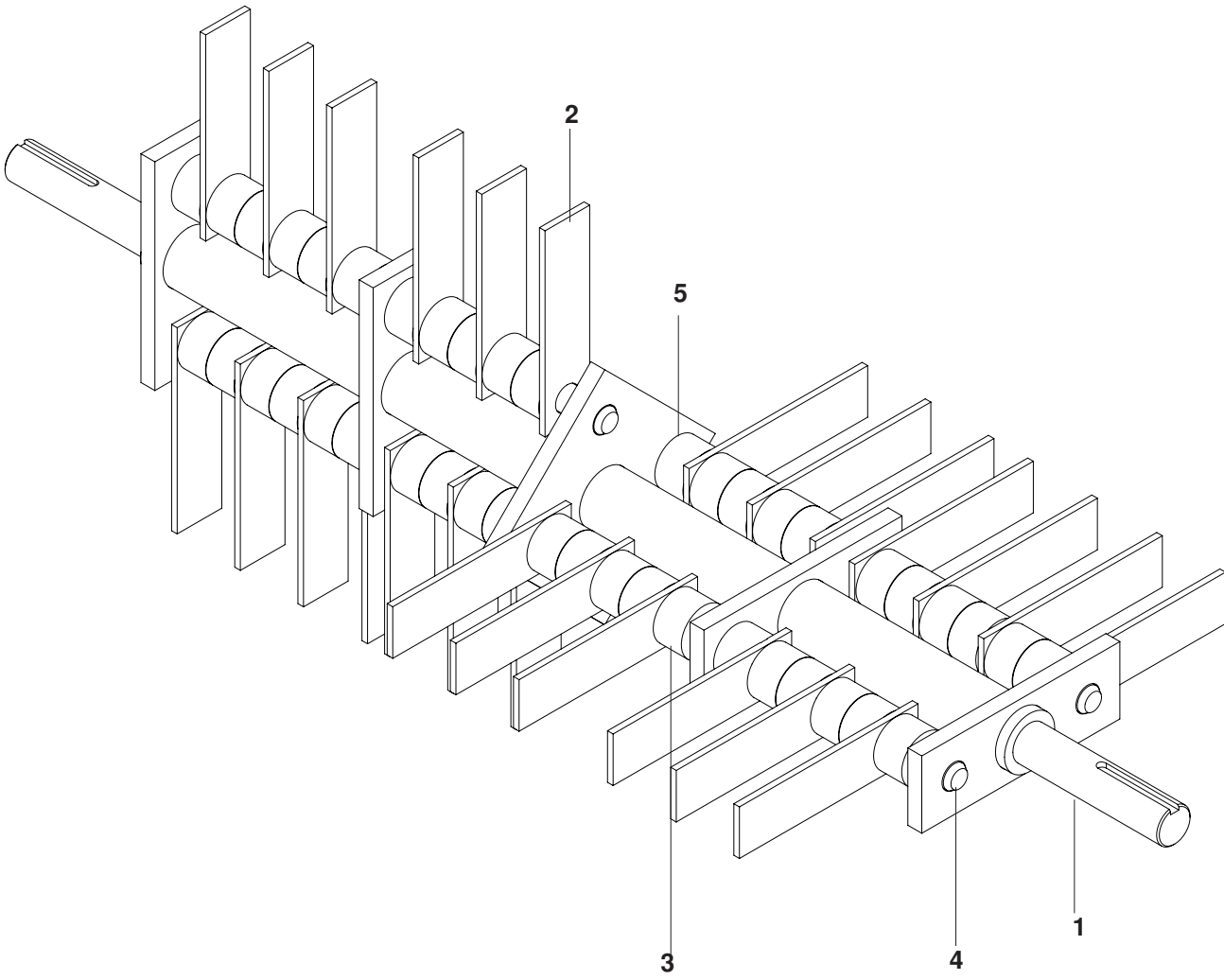
HANDLE



HANDLE

ITEM	PART NO.	QTY.	DESCRIPTION	ITEM	PART NO.	QTY.	DESCRIPTION
1..	539 106758....	1	HANDLE	13..	539 106770....	1	LEVER
2..	539 052561....	2	GRIP FOAM	14..	539 990637....	1	HCS $\frac{3}{8}$ -16 x 2 $\frac{1}{2}$
3..	539 106688....	1	CABLE TAB	15..	539 990517....	4	WASHER $\frac{3}{8}$
4..	539 990639....	1	HCS $\frac{1}{4}$ -20 x 1 $\frac{1}{2}$	16..	539 976438....	1	SPRING
5..	539 976978....	1	NUT $\frac{1}{4}$ -20 NYLOC	17..	539 990563....	6	HCS $\frac{3}{8}$ -16 x 1
6..	539 100481....	2	KNOB	18..	539 976979....	7	NUT $\frac{3}{8}$ -16 NYLOC
7..	539 100472....	2	RHSNB $\frac{5}{16}$ -18 x 1 $\frac{1}{4}$	19..	539 102563....	2	LANYARD
8..	539 100556....	2	PIN	20..	539 106768....	1	HEIGHT PLATE
9..	539 990692....	3	WASHER $\frac{5}{16}$	21..	539 108068....	1	HCS $\frac{3}{8}$ -16 x $\frac{1}{2}$ BUTTONHD
10..	539 106760....	1	BAIL	22..	539 108746....	1	NUT $\frac{3}{8}$ -16 ACRON
11..	539 106755....	2	HANDLE SIDE	23..	539 990209....	1	HCS $\frac{5}{16}$ -18 x 1
12..	539 976526....	1	GRIP, LEVER	24..	539 990717....	1	NUT $\frac{5}{16}$ -18 NYLOC

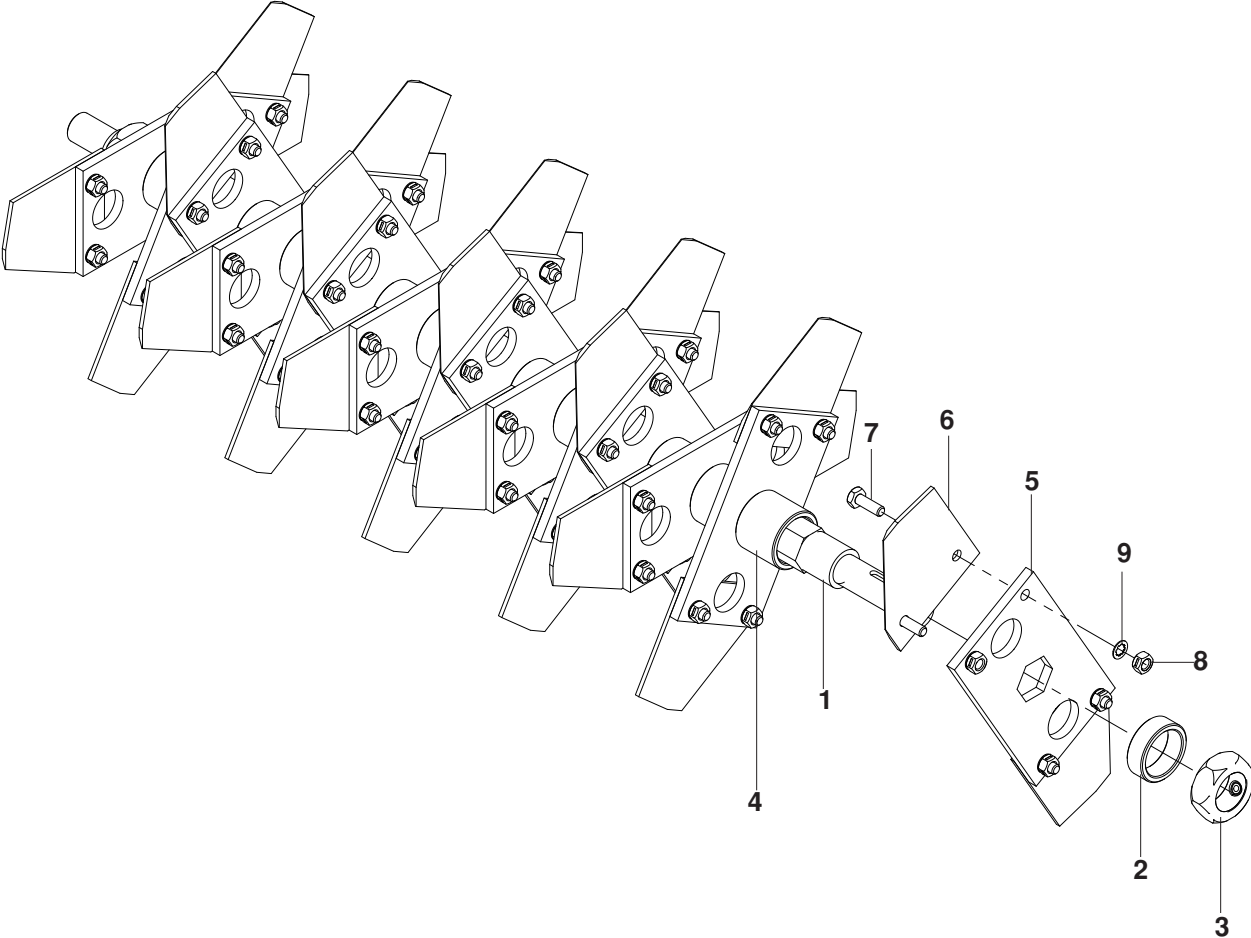
FLAIL BLADE



FLAIL BLADE

ITEM	PART NO.	QTY.	DESCRIPTION	ITEM	PART NO.	QTY.	DESCRIPTION
	539 106639	...1 FLAIL ASSY (COMPLETE)	3..	539 100526..56	SPACER
1..	539 106641....1	SHAFT	4..	539 106642....4	BLADE SHAFT
2..	539 005187..32	BLADE	5..	539 101949....8	E-RING ½"

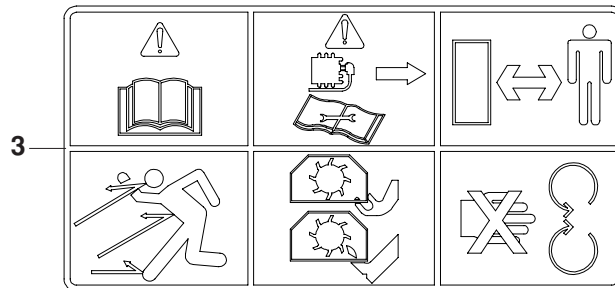
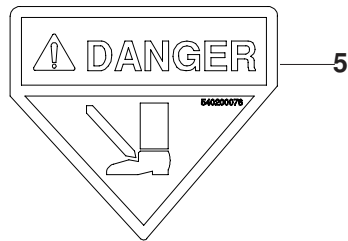
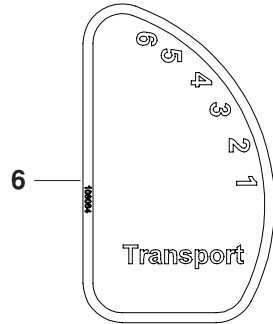
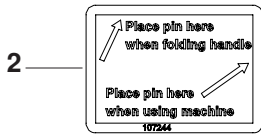
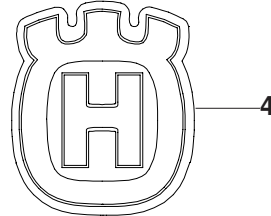
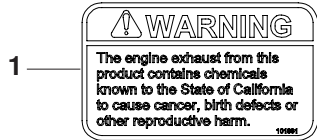
DELTA BLADE



DELTA BLADE

ITEM	PART NO.	QTY.	DESCRIPTION	ITEM	PART NO.	QTY.	DESCRIPTION
	539 106638	...1 DELTA ASSY (COMPLETE)	5..	539 106651..15	BLADE PLATE
1..	539 106650....1	DELTA SHAFT	6..	539 005966..30	DELTA BLADE
2..	539 106653....2	END SPACER	7..	539 108056..60	HCS 1/4-20 x 3/4 GR8
3..	539 100530....2	JAM NUT w/ SET SCREW	8..	539 990761..60	NUT 1/4-20 CTRLK
4..	539 106652..14	SPACER-LONG	9..	539 000407..60	WASHER 1/4 LK INTNL TOOTH

DECALS

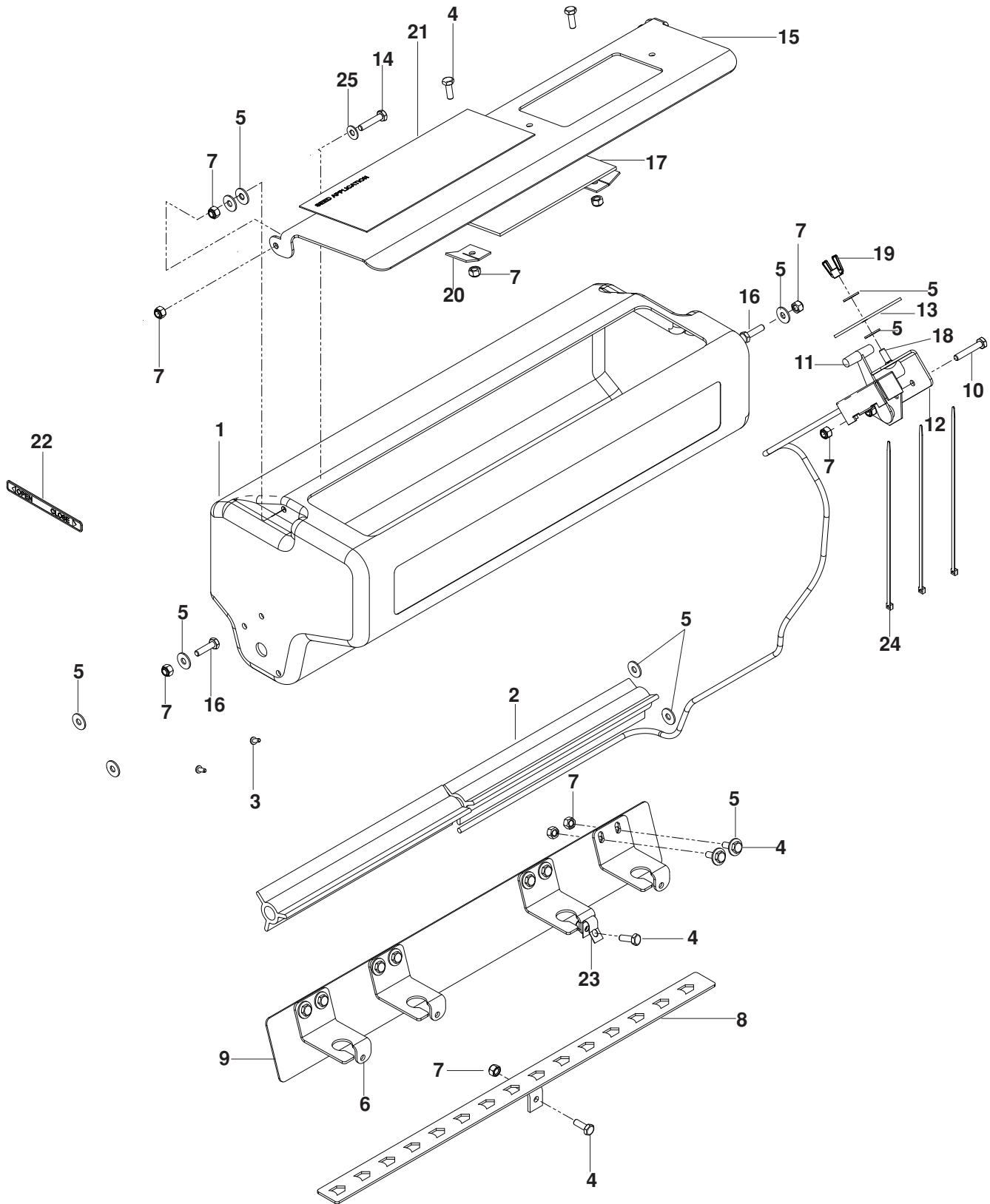


DECALS

ITEM	PART NO.	QTY.	DESCRIPTION	ITEM	PART NO.	QTY.	DESCRIPTION
1..	539 101881....	1	DECAL, PROP 65	5..	540 200076....	1	DECAL, DANGER FOOT
2..	539 107244....	1	DECAL, HANDLE PIN	6..	539 108064....	1	DECAL, DEPTH
3..	539 107359....	1	DECAL, SAFETY GRAPHICS	7..	532 422012....	1	DECAL, HUSQVARNA
4..	532 422011....	1	DECAL, CROWN				

ACCESSORIES

SEEDER



ACCESSORIES

ITEM	PART NO.	QTY.	DESCRIPTION	ITEM	PART NO.	QTY.	DESCRIPTION
1..	539 109374....	1 SEEDBOX	15..	539 106684....	1 SEED LID
2..	539 106661....	2 AGITATOR	16..	539 990548....	2 HCS ¼-20 x 1
3..	539 000113....	2 SCREW #8-32 x ¾ SELF TAP	17..	539 106806....	1 SEED WINDOW
4..	539 990580..	12 HCS ¼-20 x ¾	18..	539 990074....	1 RHSNB ¼-20 x ¾ GR2
5..	539 990598..	20 WASHER ¼	19..	539 990997....	1 WINGNUT ¼-20, NYLOC
6..	539 106677....	4 GUIDE	20..	539 107246....	2 WINDOW CLIP
7..	539 976978..	20 NUT ¼-20 NYLOC	21..	540 200140....	1 DECAL, SEED APPLICATION
8..	539 106678....	1 GATE	22..	540 200143....	1 DECAL, OPEN CLOSE
9..	539 109375....	1 SHIELD	23..	539 052931....	1 CABLE CLAMP
10..	539 990639....	2 HCS ¼-20 x 1½	24..	539 976856....	3 WIRE TIE
11..	539 052551....	1 SEEDER CABLE	25..	539 990055....	2 WASHER ¼ SAE
12..	539 106680....	1 MOUNT	NOT SHOWN			
13..	539 107357....	1 SEED DIAL	539 130837 ... 1 BAGGER KIT			
14..	539 100266....	2 HCS ¼-20 x 1¼				

