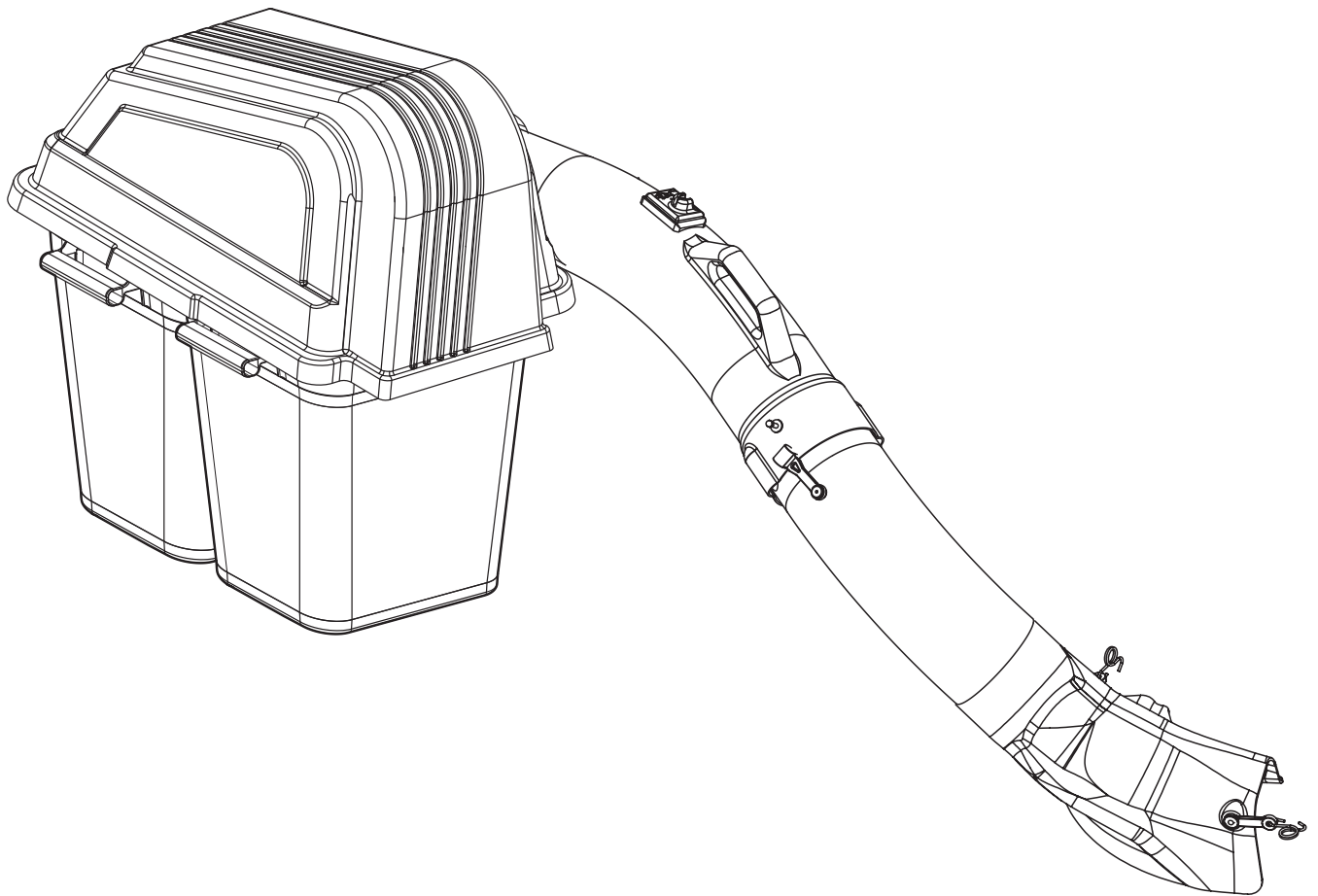


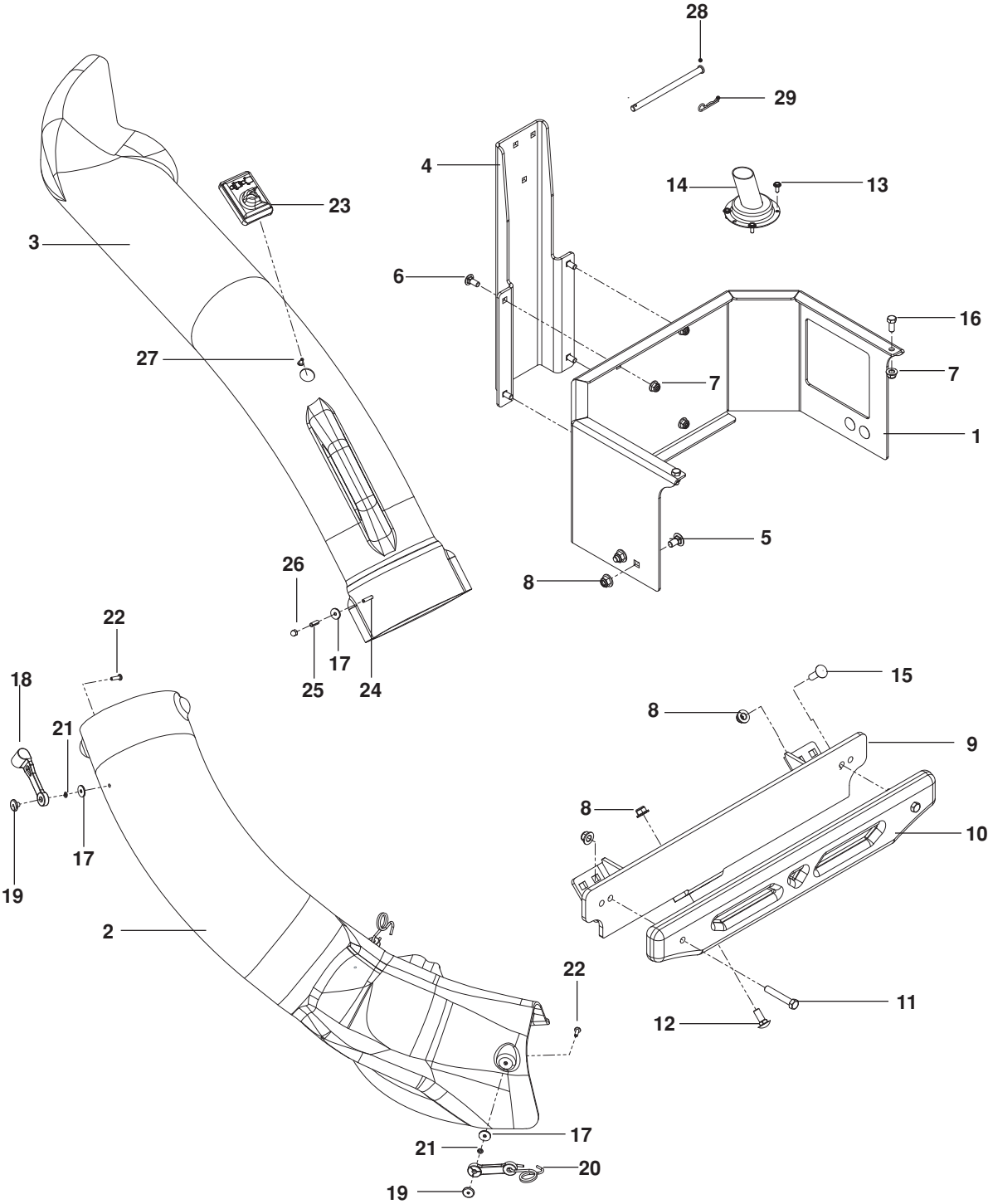


Operator and Parts Manual



Collection Kit
966476901

REPAIR PARTS

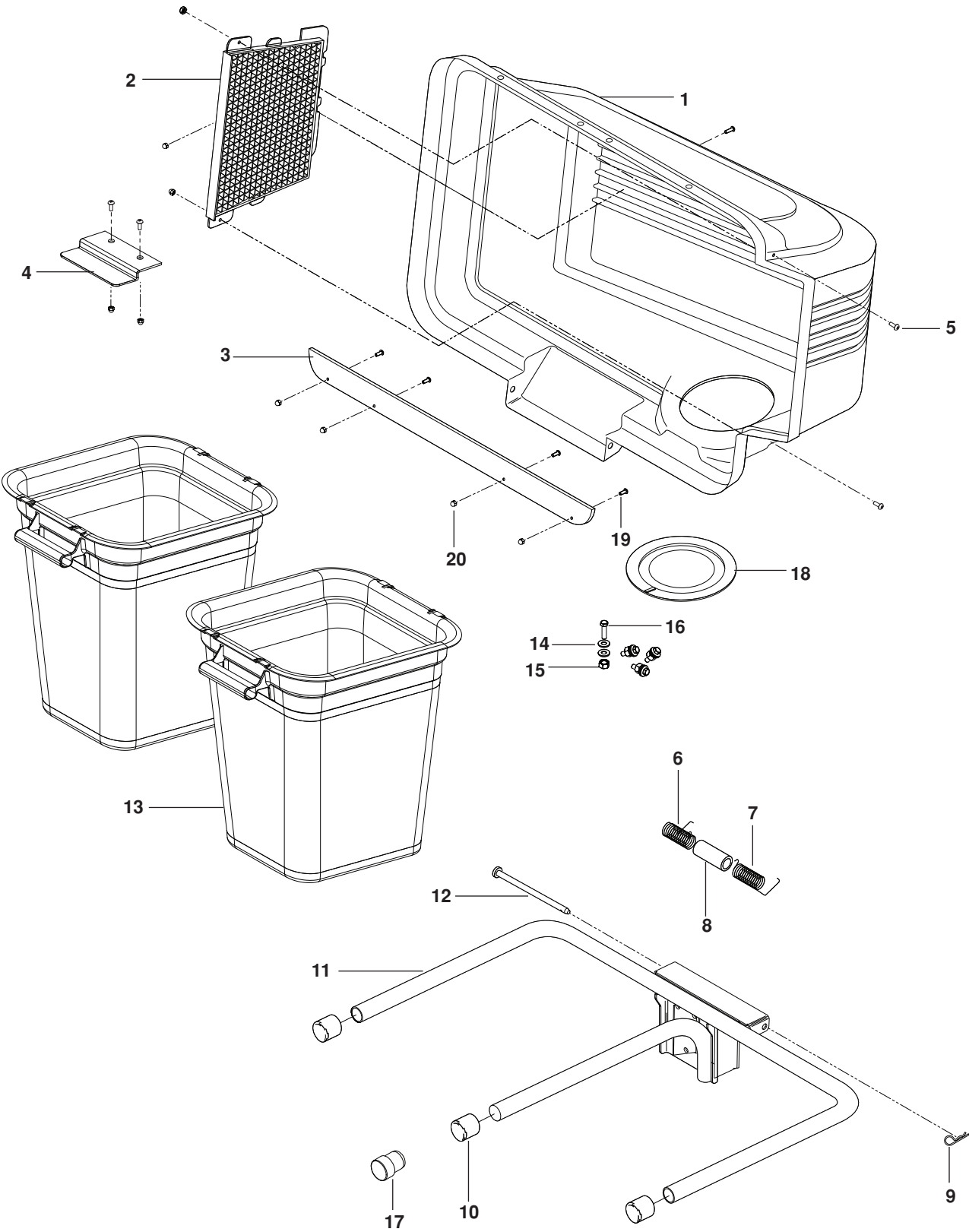


REPAIR PARTS

ITEM	PART NO.	QTY.	DESCRIPTION	ITEM	PART NO.	QTY.	DESCRIPTION
1..	574 031003....	1 GUARD, REAR	16..	539 976934....	2 HCS $\frac{5}{16}$ -18 x $\frac{3}{4}$
2..	573 975801....	1 CHUTE, LOWER	17..	539 108084....	3 WASHER $\frac{3}{16}$ x $\frac{3}{4}$ x 16 GA
3..	539 108141....	1 CHUTE, UPPER	18..	539 108088....	1 LATCH, HOOD
4..	574 031102....	1 BRACKET, HANGER	19..	539 108089....	3 PLATED, WELD NUT
5..	539 111785....	4 RHSNB $\frac{3}{8}$ -16 x $\frac{3}{4}$	20..	539 108194....	2 LATCH ASSY
6..	539 990316....	4 RHSNB $\frac{5}{16}$ -18 x $\frac{3}{4}$	21..	539 109552....	3 WASHER $\frac{3}{16}$ LOCK
7..	539 112899....	6 NUT $\frac{5}{16}$ -18 HEX FLG NYLOC	22..	539 976952....	3 SCREW #10-24 x .625
8..	521 996501....	9 NUT $\frac{3}{8}$ -16 HEX FLG	23..	539 108082....	1 BAG INDICATOR
9..	574 255502....	1 BRACKET, WEIGHT	24..	539 108083....	1 SCREW, #10- 24 x $1\frac{1}{8}$
10..	539 113177....	1 CAST WEIGHT	25..	539 108085....	1 SPACER, SPLIT
11..	539 990629....	2 HCS $\frac{3}{8}$ -16 x $2\frac{1}{4}$	26..	539 108086....	1 NUT, ACORN #10- 24
12..	539 990645....	1 RHSNB $\frac{3}{8}$ -16 x 1	27..	539 108081....	1 SCREW, SPECIAL #10-14 x $\frac{1}{2}$
13..	539 115537....	4 SCREW, HEX WASHER HD	28..	539 110736....	1 PIN, CLEVIS $\frac{5}{16}$ x 5.19
14..	539 131601....	1 EXTENSION, MUFFLER	29..	539 976988....	1 COTTER HAIRPIN
15..	539 100413....	2 RHSNB $\frac{3}{8}$ -16 x $1\frac{1}{4}$				

NOTE: ALL FASTENERS ARE GRADE 5 UNLESS OTHERWISE SPECIFIED.

REPAIR PARTS



REPAIR PARTS

ITEM	PART NO.	QTY.	DESCRIPTION	ITEM	PART NO.	QTY.	DESCRIPTION
1..	539 111139....	1	COVER ASSY	11..	532 179746....	1	BAGGER, FRAME
2..	532 127533....	1	SCREEN, COVER	12..	532 128600....	1	PIN, HINGE
3..	532 155042....	1	STRIP, REINFORCEMENT	13..	532 400226....	2	CONTAINER, SOFT BAG
4..	532 130895....	1	LATCH HANDLE, COVER	14..	539 105408....	8	WASHER #10 FLAT
5..	539 976952....	4	SCREW #10-24 x ⁵ / ₈	15..	539 976977....	4	NUT #10-24 HEX NYLOC
6..	532 132796....	1	SPRING, COVER, LH	16..	539 106312....	4	HMS #10-24 x ³ / ₄
7..	532 132983....	1	SPRING, COVER RH	17..	522 801301....	1	SPACER, PLUG
8..	532 133235....	1	SPACER, COVER	18..	532 127534....	1	GASKET
9..	532 085902....	1	RETAINER, SPRING	19..	539 108081....	4	SCREW #10-24 x ¹ / ₂
10..	532 174083....	3	CAP, TUBING END	20..	539 108086....	9	NUT #10-24 ACORN

NOTE: ALL FASTENERS ARE GRADE 5 UNLESS OTHERWISE SPECIFIED.