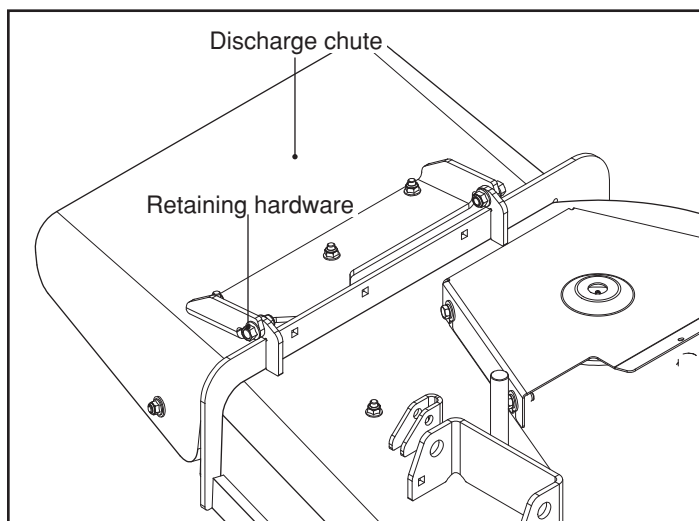


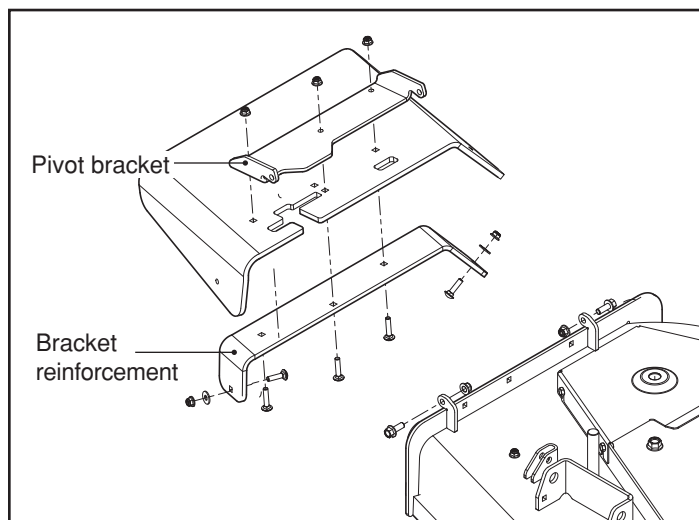
INSTALLATION INSTRUCTIONS

OCDC Kit - 966 488701 54" and 60" Decks

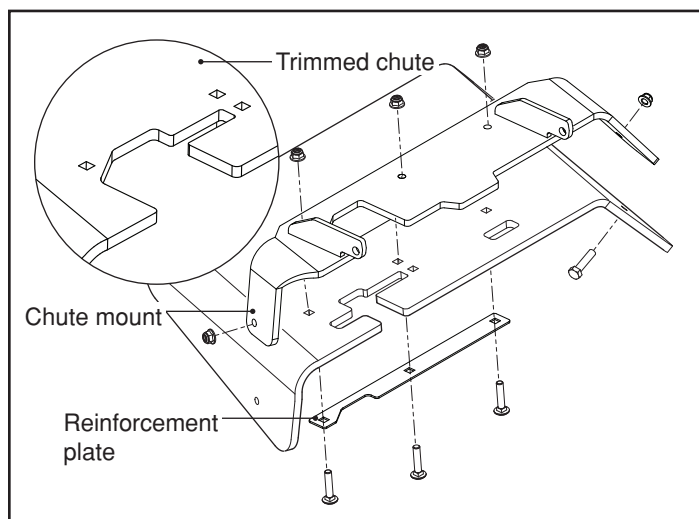
1. Remove the discharge chute assembly from the mower deck by removing the nuts and bolts retaining the brackets.



2. Remove the pivot bracket and bracket reinforcement from the discharge chute.
NOTE: Save brackets and hardware for reuse when reverting to side discharge mowing without OCDC.

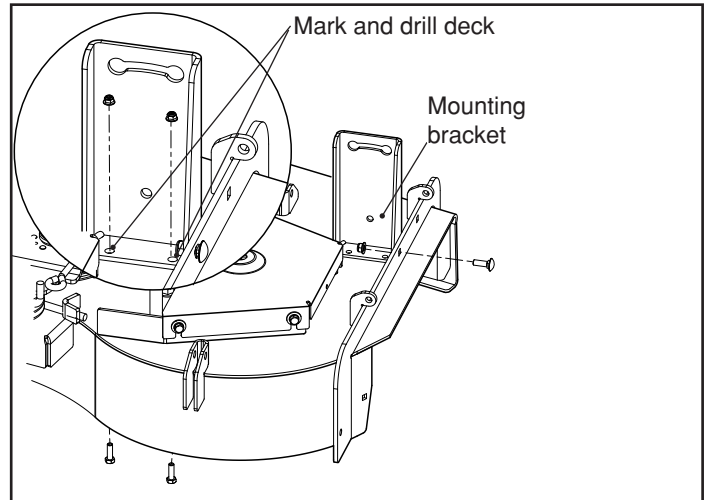


3. Install the chute mount and reinforcement plate from the kit to the original discharge chute using the $\frac{5}{16}$ -18 x $1\frac{1}{4}$ round head square neck bolts and two $\frac{5}{16}$ -18 x $1\frac{1}{4}$ hex head bolts. Secure with nuts.
4. Trim the discharge chute as shown in the inset, using the mounting bracket as a guide.

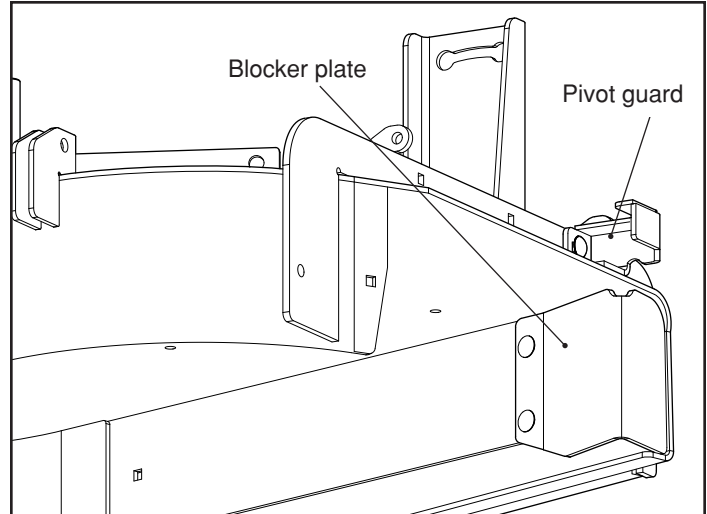


INSTALLATION INSTRUCTIONS

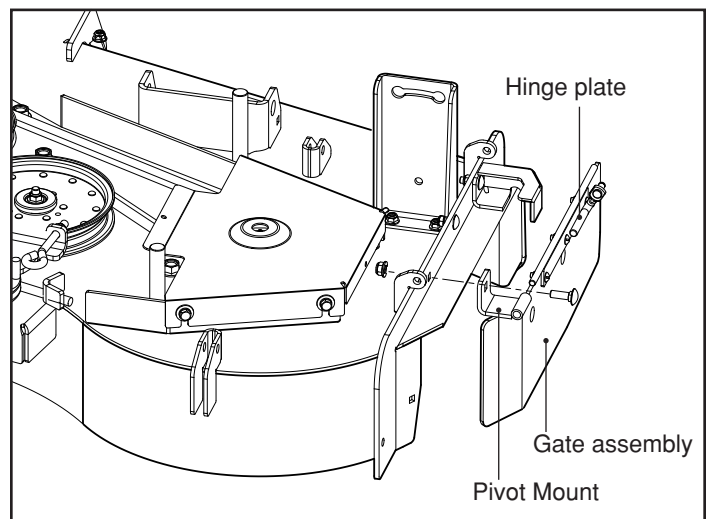
5. Bolt the mounting bracket to discharge chute flange with a $\frac{5}{16}$ -18 x 1 round head square neck bolt and secure with nut. Using the holes in the bracket as a guide, centerpunch two holes on to the deck top. Remove the mounting bracket and drill two $\frac{11}{32}$ " diameter holes through the deck top. Rebolt the mounting bracket to the discharge chute flange and then onto the deck using two $\frac{5}{16}$ -18 x 1 hex bolts and nuts.



6. Bolt the pivot guard to the discharge chute flange with a $\frac{5}{16}$ -18 x 1 round head square neck bolt and secure with nut.
7. From the underside of deck, bolt the blocker plate to the front baffle of the deck with two $\frac{5}{16}$ -18 x 1 round head square neck bolt bolts and secure with nuts.

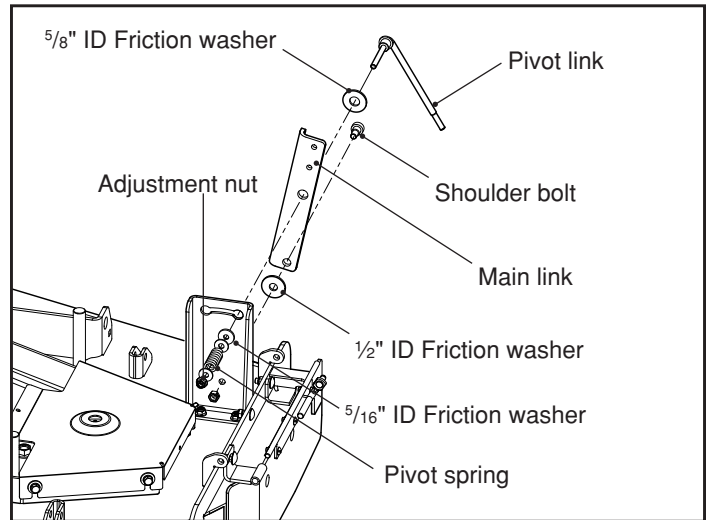


8. Locate the gates in the ODCD kit. For 54" decks, use the smaller gate. Use the larger gate for a 60" deck. Assemble the correct gate to the hinge plate with three $\frac{1}{4}$ -20 x $\frac{3}{4}$ round head screws and secure with nuts.
9. Slide the gate assembly into pivot guard. Slide pivot mount onto the other end of gate assembly as shown and then bolt it to the deck with one $\frac{5}{16}$ -18 x 1 round head square neck bolt bolt. Secure with nut.

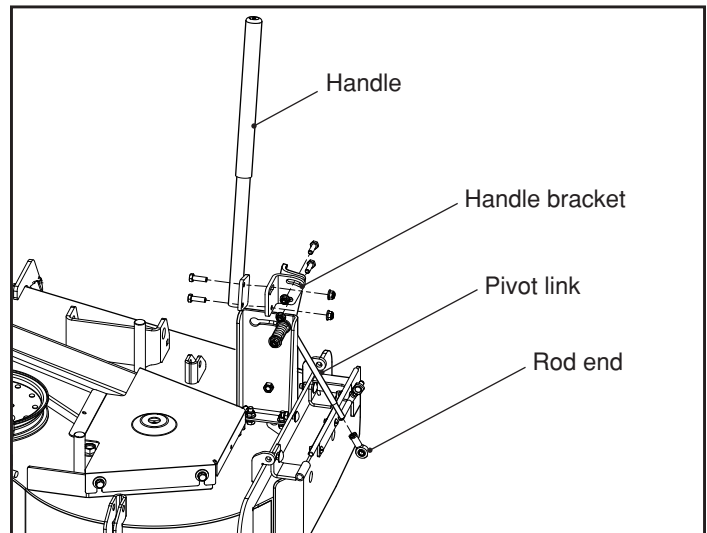


INSTALLATION INSTRUCTIONS

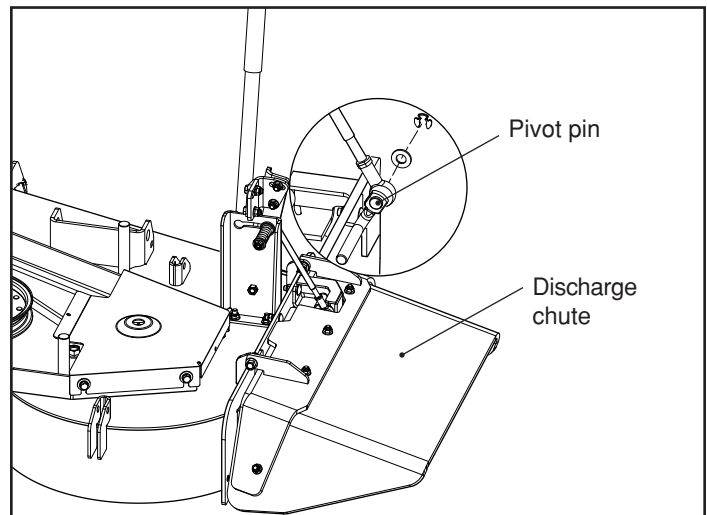
Assemble the pivot link to the main link following the illustration. Adjust the front nut so the spring is compressed to a measurement of $1\frac{5}{8}$ "— $1\frac{3}{4}$ ". Tighten the shoulder bolt so the main link will fit snugly but still pivot freely on the bolt shaft.



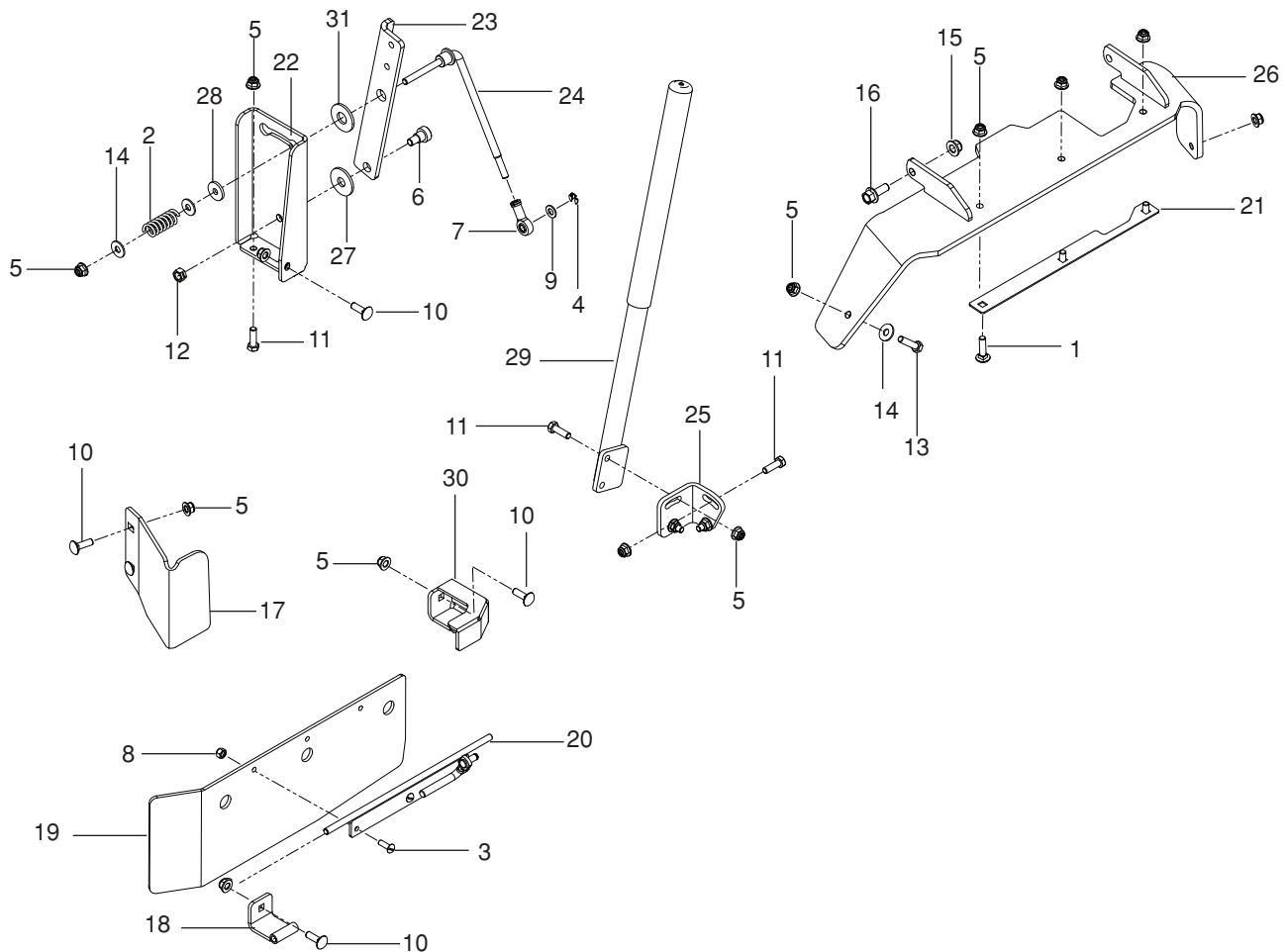
10. Assemble the handle and handle bracket to the main link using four $\frac{5}{16}$ -18 x 1 screws. Secure with nuts. The handle's position can be adjusted to suit the operator.
11. Thread the rod end onto the pivot link approximately $\frac{1}{2}$ ".



12. Slide the rod end over the pivot pin on the hinge plate. The pivot link should smoothly snap in and out of both the up and down position and should easily travel from one position to the other. If necessary, adjust the rod end. After adjustments are made, install the washer and retaining ring.
13. Install the discharge chute assembly.



PARTS LIST



ITEM	PART NO.	QTY.	DESCRIPTION
1..	539 100472....3	RHSNB $\frac{5}{16}$ -18 x $1\frac{1}{4}$
2..	539 104986....1	SPRING
3..	539 108388....3	SCREW $\frac{1}{4}$ -20 x $\frac{3}{4}$ RD HD GR2
4..	539 109303....1	RETAINING RING
5..	539 112899..17	NUT $\frac{5}{16}$ -18 HEX FLANGE NYLOC
6..	539 113621....1	SHLDER BOLT $\frac{3}{8}$ -16 x $\frac{3}{8}$ SKT HD
7..	539 115729....1	ROD END RH
8..	539 976978....3	NUT $\frac{1}{4}$ -20 HEX NYLOC
9..	539 990188....1	WASHER $\frac{5}{16}$ SAE FLAT
10..	539 990208....5	SHLDER BOLT $\frac{5}{16}$ -18 x 1 RD HD
11..	539 990209....6	HCS $\frac{5}{16}$ -18 x 1
12..	539 990546....1	NUT $\frac{3}{8}$ -16 HEX CNTRLK
13..	539 990627 ...2	HCS $\frac{5}{16}$ -18 x $1\frac{1}{4}$
14..	539 990692....4	WASHER, $\frac{5}{16}$ STD FLT
15..	521 996501....2	NUT $\frac{3}{8}$ -16 HEX FLG NYLOC
16..	525 612801....2	HHFS $\frac{3}{8}$ -16 x 1

ITEM	PART NO.	QTY.	DESCRIPTION
17..	529 274602....1	BLOCKER PLATE
18..	573 957701....1	PIVOT MOUNTING
19..	574 568302....1	GATE, 54"
	573 958302....1	GATE, 60"
20..	573 958501....1	HINGE PLATE
21..	573 982802....1	REINFORCEMENT PLATE
22..	574 517002....1	MOUNTING BRACKET
23..	574 517602....1	MAIN LINK
24..	574 521201....1	GATE PIVOT
25..	574 527102....1	BRACKET, HANDLE SWIVEL
26..	574 555102....1	CHUTE MOUNT
27..	574 609601....1	WASHER, FRICTION $\frac{1}{2}$
28..	574 694901....1	WASHER, FRICTION $\frac{5}{16}$
29..	574 700601....1	HANDLE ASSY w/ GRIP
30..	574 704701....1	PIVOT GUARD
31..	574 714801....1	WASHER, FRICTION $\frac{5}{8}$ NOM ID