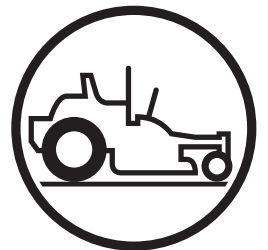




Parts Manual

MZ6128 / 966502301

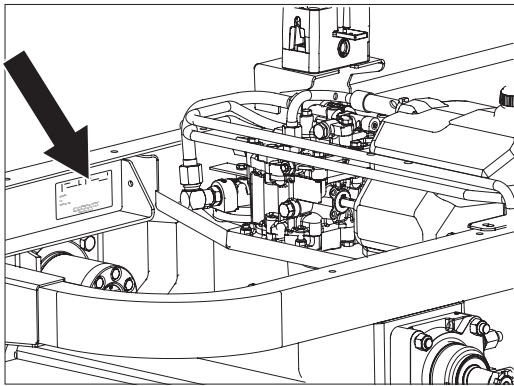
Please read the operator's manual carefully and make sure you understand the instructions before using the machine.



English

When you need spare parts or support in service questions, warranty issues, etc., please consult the following professional:

This Parts Manual belongs to the machine with the manufacturing number:	Engine	Transmission



The machine's manufacturing number can be found on the printed plate affixed to the engine compartment. Illustration at left shown with engine removed.

Manufacturing Number

Stated on the plate, from the top are:

- The machine's type designation (I.D.).
- The manufacturer's type number (Model).
- The machine's serial number (Serial no.)

Please have the type designation and serial number available when ordering spare parts.

The engine's manufacturing number is stamped on one of the valve covers.

The plate states:

- The engine's model.
- The engine's type.
- Code

Please have these available when ordering spare parts.

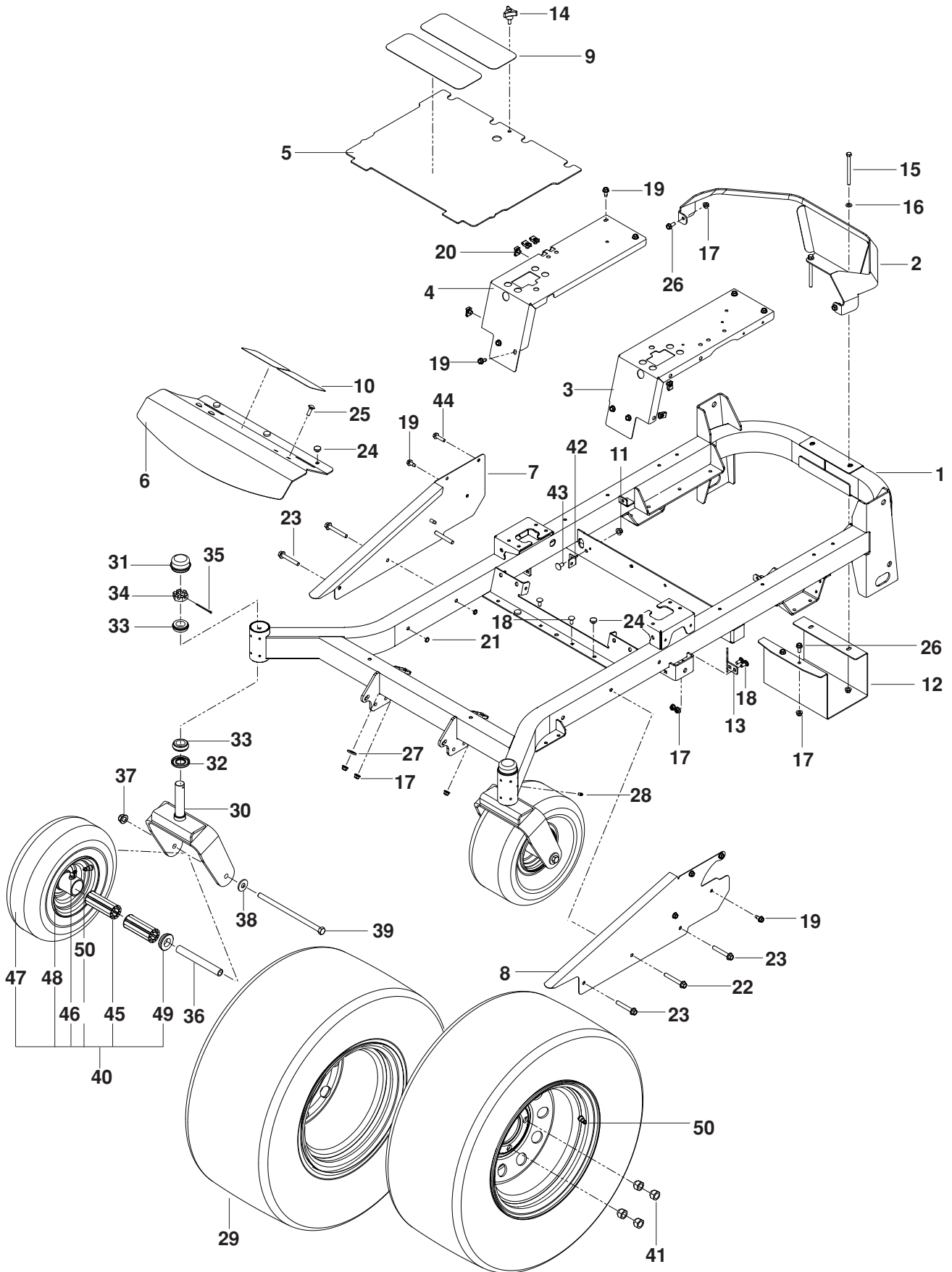
The wheel motors and hydrostatic pumps have a barcode decal affixed at the rear.

CONTENTS

FRAME.....	4	HYDRAULIC PUMP-MOTOR.....	16
ENGINE PLATE.....	6	MOWER LIFT / DECK LIFT.....	18
STEERING	8	MOWING DECK.....	20
IGNITION SYSTEM.....	10	SEAT	22
ELECTRICAL	12	DECALS	24
PARKING BRAKE	14		

NOTE: ALL FASTENERS ARE GRADE 5 UNLESS OTHERWISE SPECIFIED.

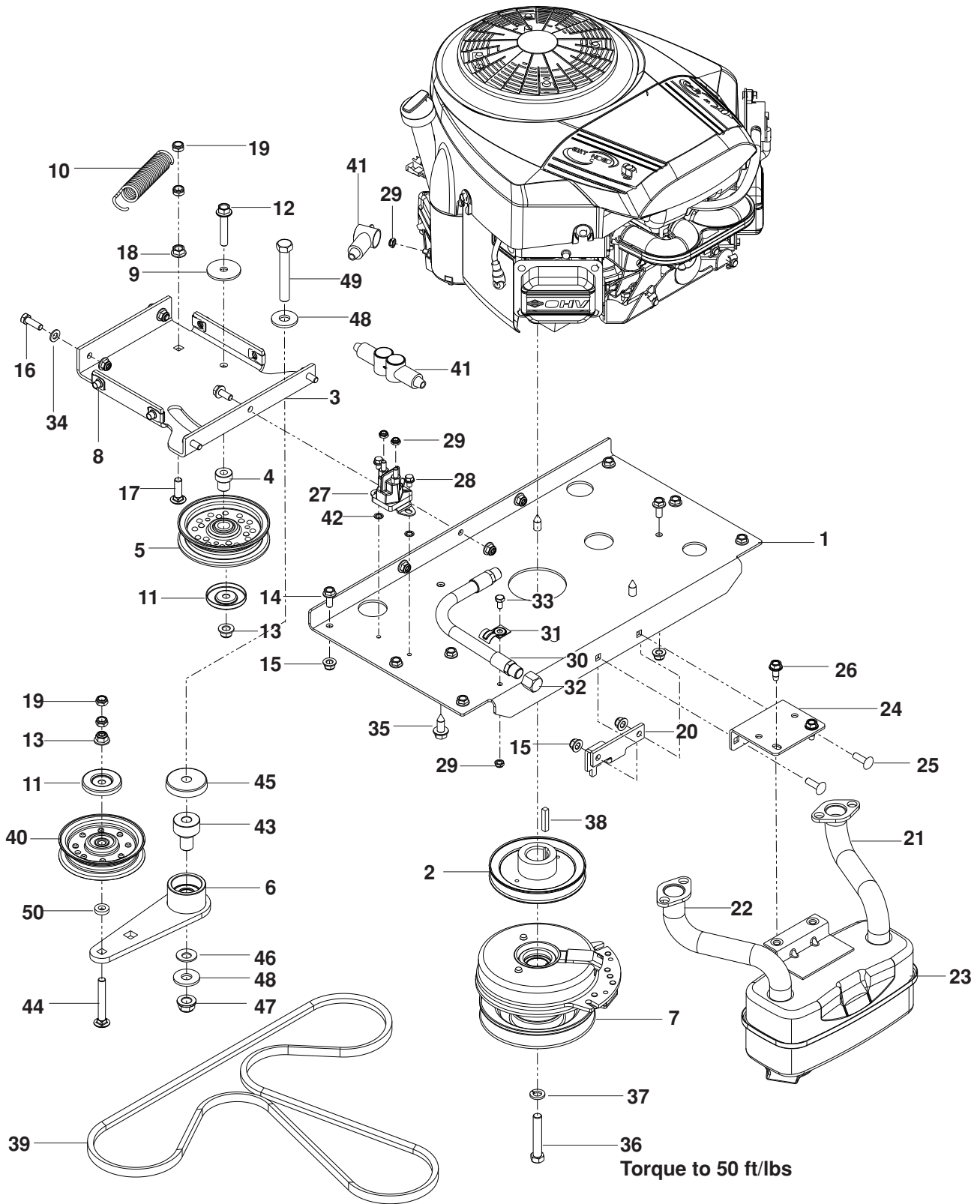
FRAME



FRAME

ITEM	PART NO.	QTY.	DESCRIPTION	ITEM	PART NO.	QTY.	DESCRIPTION
1..	575 608701....	1 FRAME w/ SAFETY DECALS	26..	525 464701....	4 HHFS $\frac{5}{16}$ -18 x $\frac{3}{4}$
2..	575 348402....	1 GUARD, REAR	27..	539 990250....	1 WASHER
3..	539 131589....	1 PANEL, LT	28..	539 101474....	2 ZERK
4..	575 223802....	1 PANEL, RT	29..	539 108881....	2 WHEEL ASSY, REAR
5..	539 132744....	1 PLATE, FLOOR w/ DECALS	30..	575 329202....	2 YOKE, CASTER
6..	539 132380....	1 PLATE, FOOTREST	31..	539 102535....	2 GREASE CAP
7..	539 131579....	1 SIDE, RT	32..	539 102851....	2 SEAL
8..	539 131577....	1 SIDE, LT	33..	539 102543....	4 BEARING
9..	539 977778....	2 PAD, ABRASIVE LG	34..	539 102852....	2 SLOTTED JAM NUT 1"-14
10..	539 121322....	2 PAD, ABRASIVE SM	35..	539 102889....	2 COTTER PIN $\frac{1}{8}$ x 2
11..	521 996501....	2 NUT $\frac{3}{8}$ -16 HEX FLG NYLOC	36..	575 334901....	2 SPACER, PIVOT
12..	575 230402....	1 SHIELD, MUFFLER	37..	521 991101....	2 NUT $\frac{1}{2}$ -13 HEX FLG NYLOC
13..	505 256401....	2 STOP, DECK	38..	539 109554....	2 WASHER $\frac{1}{2}$ FLAT ZD
14..	539 104411....	1 KNOB w/ STUD	39..	539 105517....	2 HCS $\frac{1}{2}$ -13 x $9\frac{1}{2}$
15..	539 102335....	3 HCS $\frac{5}{16}$ -18 x 4	40..	575 348701....	2 TIRE ASSM
16..	539 990188....	10 WASHER $\frac{5}{16}$ SAE FLAT	41..	539 101173....	8 NUT, LUG
17..	539 112899....	15 NUT $\frac{5}{16}$ -18 FLANGE NYLOC	42..	575 245202....	2 BRACKET, DAMPENER
18..	539 990316....	6 BOLT, RD HD $\frac{5}{16}$ -18 x $\frac{3}{4}$	43..	539 109117....	2 BOLT, RD HD $\frac{3}{8}$ -16 x $\frac{3}{4}$
19..	539 107475....	14 BOLT $\frac{5}{16}$ -18 x $\frac{3}{4}$ THD FRM	44..	525 544001....	1 HHFS $\frac{5}{16}$ -18 x $1\frac{1}{4}$ TPBLT
20..	539 104763....	8 RETAINER, U TYPE	45..	539 105307....	4 CAGE BEARING $3\frac{1}{4}$
21..	539 200282....	6 NUT $\frac{3}{8}$ -16 HEX JAM NYLOC	46..	539 103300....	2 ZERK
22..	539 131781....	2 SCREW, HX FLG $\frac{3}{8}$ -16 x $2\frac{3}{4}$	47..	575 622201....	2 TIRE, CASTER
23..	539 133006....	4 SCREW, HX FLG $\frac{3}{8}$ -16 x $2\frac{1}{2}$	48..	575 622101....	2 RIM, CASTER TIRE
24..	539 102587....	5 GROMMET, BUMPER	49..	539 102484....	4 BEARING, FLANGE
25..	539 990208....	3 BOLT, RD HD $\frac{5}{16}$ -18 x 1	50..	539 912234....	4 VALVE

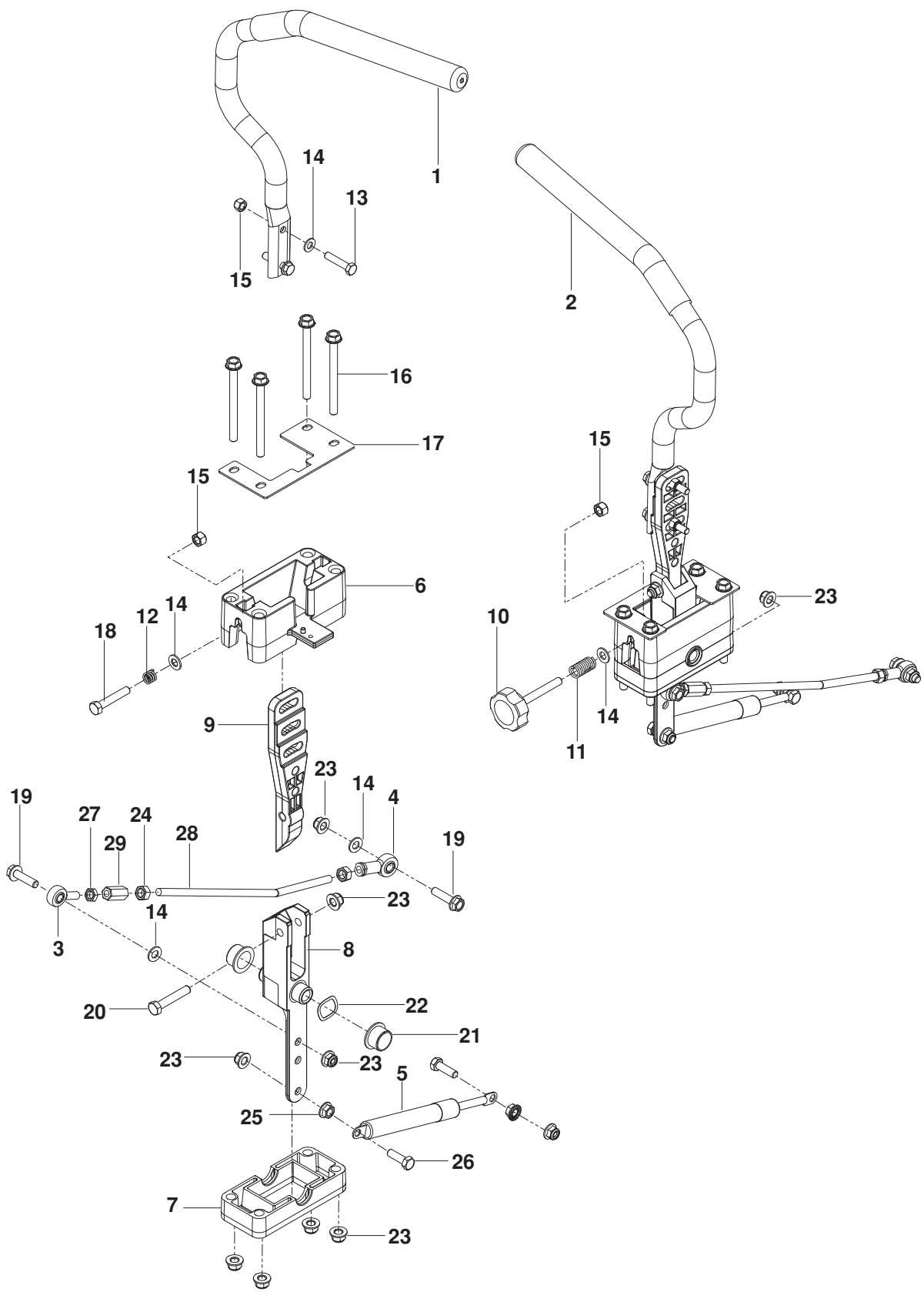
ENGINE PLATE



ENGINE PLATE

ITEM	PART NO.	QTY.	DESCRIPTION	ITEM	PART NO.	QTY.	DESCRIPTION
1..	575 608801....	1 PLATE, ENGINE w/ DECAL	28..	539 990302....	2 SCREW ¼-20 x 8 THD FRM
2..	574 811001....	1 PULLEY, V 1 1/8 BORE	29..	539 108120....	4 NUT ¼-20 HEX THIN NYLOC
3..	574 846402....	1 PLATE, IDLER SUPPORT	30..	539 101362....	1 HOSE-DRAIN
4..	525 435601....	1 PIVOT, IDLER	31..	539 101363....	1 CLAMP
5..	539 976688....	1 PULLEY, IDLER	32..	539 101364....	1 PLUG-OIL
6..	510 041603....	1 ARM, IDLER w/ BEARINGS	33..	539 990071....	1 HCS ¼-20 x 2
7..	574 607001....	1 CLUTCH, 200 FT-LB	34..	539 990188....	2 WASHER 5/16 SAE FLAT
8..	539 104763....	4 RETAINER, U TYPE	35..	532 120616....	4 HHFS 3/8-16 x 1 THD FRM
9..	539 111897....	1 WASHER, SPECIAL	36..	539 991120....	1 HCS 7/16-20 x 2 1/2
10..	510 254401....	1 SPRING, PUMP	37..	539 990247....	1 WASHER 7/16 SLW
11..	510 254501....	2 SHIELD, DUST	38..	539 912757....	1 KEY ¼ SQ x 1 ¼
12..	525 866201....	1 HHFS 3/8-16 x 2	39..	574 870901....	1 BELT
13..	521 996501....	2 NUT 3/8-16 HEX FLG NYLOC	40..	539 107620....	1 PULLEY, IDLER SECONDARY
14..	525 464701..	11 HHFS 5/16-18 x 3/4	41..	539 102759....	3 INSULATOR
15..	539 112899..	15 NUT 5/16-18 HEX FLG NYLOC	42..	539 990053....	2 WASHER ¼ INT TOOTH LK
16..	539 990209....	2 HCS 5/16-18 x 1	43..	510 206301....	1 PIVOT, BEARING
17..	539 100413....	1 RHSNB 3/8-16 x 1 ¼	44..	539 130235....	1 RHSNB 3/8-16 x 2 3/4
18..	539 990613....	1 NUT 3/8-16 HEX WHIZLK	45..	539 114662....	1 SHIELD, DUST
19..	539 200282....	4 NUT 3/8-16 HEX JAM NYLOC	46..	539 115528....	1 WASHER ½" BELLEVILLE
20..	575 017302....	1 STOP, CLUTCH	47..	521 991101....	1 NUT ½-13 HEX FLG NYLOC
21..	532 159955....	1 EXHAUST TUBE, RT	48..	539 109554....	2 WASHER ½ FLAT ZD
22..	532 160589....	1 EXHAUST TUBE, LT	49..	539 103433....	1 HCS ½-13 x 3 ¼
23..	539 131604....	1 MUFFLER ASM TWIN	50..	539 109562....	1 WASHER 3/8 x 3/4
24..	575 229902....	1 BRKT, MUFFLER, BLK	NOT SHOWN			
25..	539 107271....	2 RHSSNB 5/16-18 x 1	539 102757 ...	1 CABLE, POSITIVE	
26..	539 107475....	2 BOLT 5/16-18 x 4 THD FRM	539 107516 ...	1 KOHLER CV490S PIGTAIL	
27..	539 101714....	1 SOLENOID	575 262002 ...	1 HEAT SHIELD (Optional)	

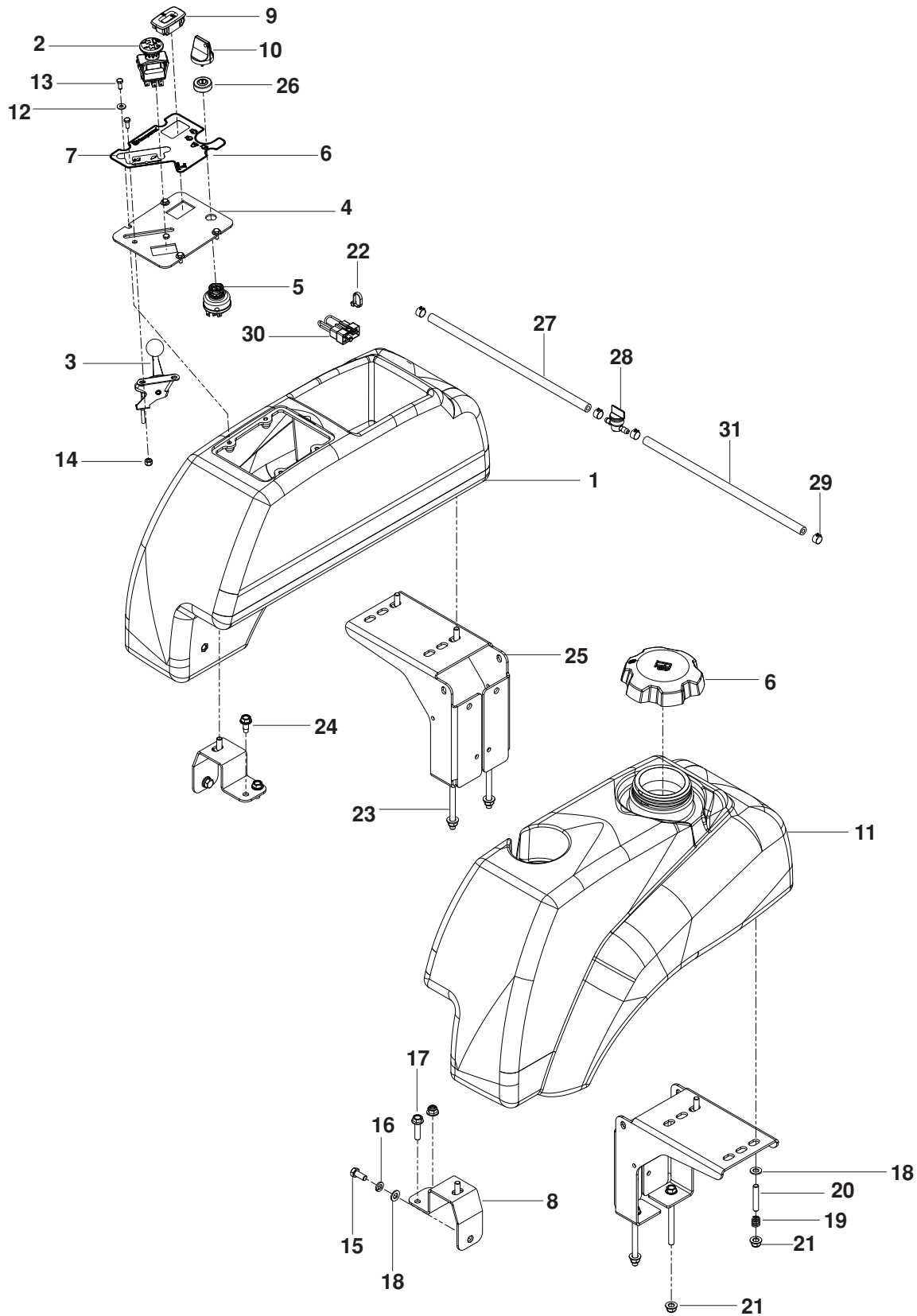
STEERING



STEERING

ITEM	PART NO.	QTY.	DESCRIPTION	ITEM	PART NO.	QTY.	DESCRIPTION
1..	539 132009....	1	LEVER, DRIVE w/ GRIP RT	16..	539 131780....	8	SCREW, HX FLG $\frac{5}{16}$ -18 x $3\frac{3}{4}$
2..	539 132010....	1	LEVER, DRIVE w/ GRIP LT	17..	575 230002....	2	PLATE, NEUTRAL STOP
3..	539 116690....	2	ROD END LH	18..	539 108394....	1	BOLT $\frac{5}{16}$ -18 x $1\frac{3}{4}$ TPBLT
4..	539 115729....	2	ROD END RH	19..	525 544001....	4	HHFS $\frac{5}{16}$ -18 x $1\frac{1}{4}$ TPBLT
5..	539 102720....	2	DAMPENER	20..	539 990669....	2	BOLT, HEX $\frac{5}{16}$ -18 x $1\frac{3}{4}$
6..	539 131517....	2	BLOCK, UPPER	21..	539 131518....	4	BEARING, FLANGE
7..	539 131519....	2	BLOCK, LOWER	22..	539 133007....	2	WASHER .825, WAVE
8..	522 452901....	2	PIVOT SECTION, DR CNTRL	23..	539 112899..	16	NUT $\frac{5}{16}$ -18 FLANGE NYLOC
9..	539 131521....	2	MOUNT, DR CNTRL HANDLE	24..	539 990223....	4	NUT $\frac{5}{16}$ -24 HEX
10..	539 131799....	1	KNOB	25..	539 990585....	4	NUT $\frac{5}{16}$ -18 HEX WHIZLK
11..	539 101224....	1	SPRING	26..	539 990209....	2	BOLT, HEX $\frac{5}{16}$ -18 x 1
12..	539 102845....	1	SPRING	27..	539 991073....	2	NUT $\frac{5}{16}$ -24 HEX JAM LH
13..	539 976935....	4	BOLT, HEX $\frac{5}{16}$ -18 x $1\frac{1}{2}$	28..	574 811401....	2	ROD, MOTION CONTROL
14..	539 990188..	10	WASHER $\frac{5}{16}$ SAE FLAT	29..	539 116689....	2	COUPLER, ROD END
15..	539 990717....	6	NUT $\frac{5}{16}$ -18 HEX NYLOC				

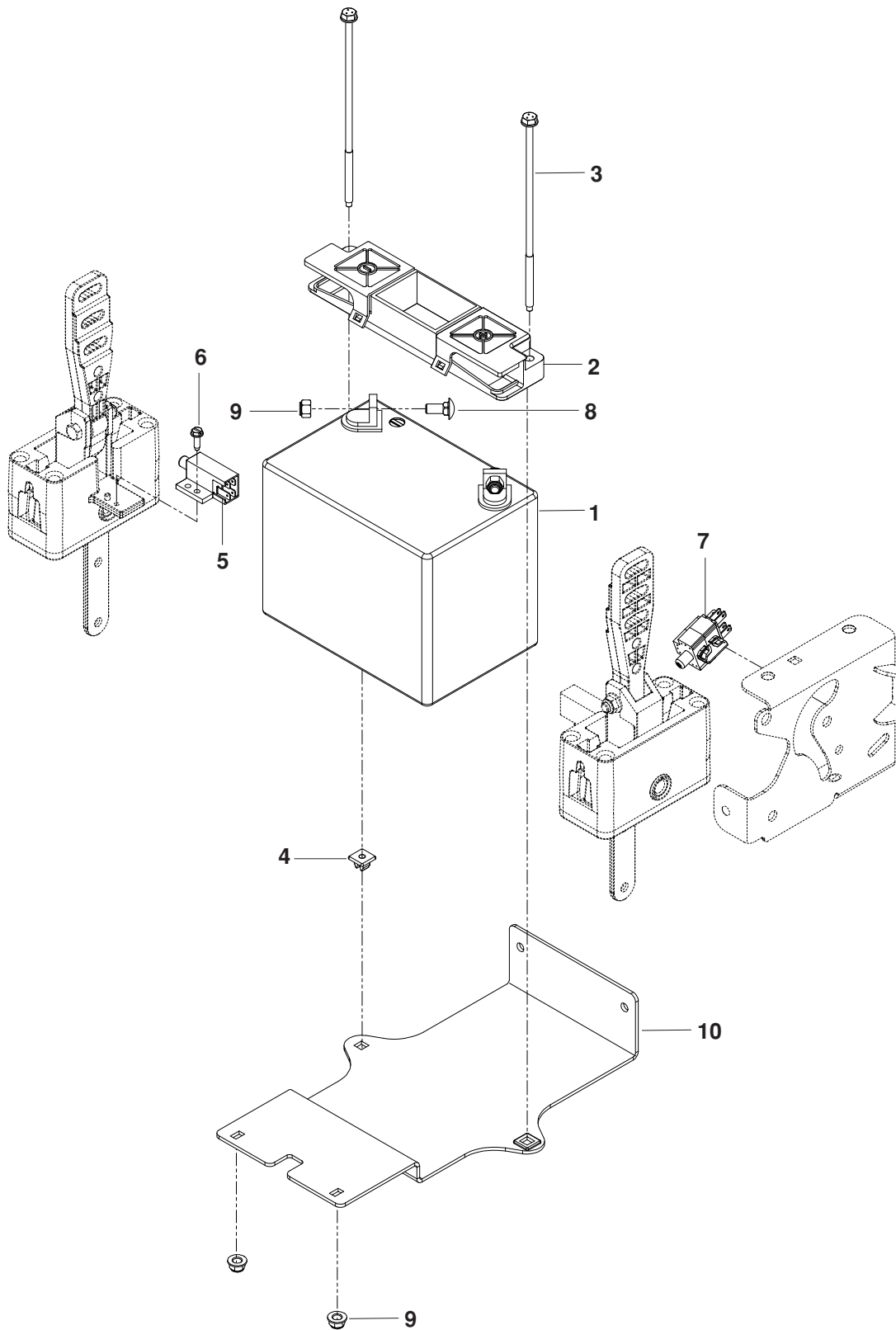
IGNITION SYSTEM



IGNITION SYSTEM

ITEM	PART NO.	QTY.	DESCRIPTION	ITEM	PART NO.	QTY.	DESCRIPTION
1..	539 107593....	1 CONSOLE	17..	525 544001....	1 HHFS ⁵ / ₁₆ -18 x 1¼ TPBLT
2..	539 131627....	1 SWITCH, PTO 10 AMP	18..	539 990188....	8 WASHER ⁵ / ₁₆ SAE FLAT
3..	539 112438....	1 CABLE, THROTTLE	19..	539 102845....	6 SPRING
4..	574 841202....	1 CONSOLE PLATE	20..	539 102502....	6 STUD ⁵ / ₁₆
5..	574 455401....	1 SWITCH, IGNITION	21..	539 112899..	11 NUT ⁵ / ₁₆ -18 FLANGE NYLOC
6..	539 130393....	1 CAP, FUEL	22..	539 976856....	2 TIE, PLASTIC
7..	574 841101....	1 DECAL, CONSOLE	23..	539 131780....	4 HHFS ⁵ / ₁₆ -18 x 3¾
8..	539 131671....	2 SUPPORT, TANK	24..	539 107475....	2 BOLT ⁵ / ₁₆ -18 x ¾ THD FRM
9..	539 110074....	1 HOUR METER	25..	575 533602....	2 MOUNT, TANK
10..	574 455501....	1 KEY, IGNITION	26..	539 103178....	1 CAP, IGNITION SWITCH
11..	539 104409....	1 TANK, FUEL	27..	539 108212....	1 FUEL LINE 13"
12..	539 105408....	4 WASHER #10 FLAT	28..	539 916325....	1 VALVE, FUEL
13..	539 990411....	6 SCREW #10-24 x ½ SLT HEX	29..	539 912222....	4 CLAMP, HOSE
14..	539 976977....	2 NUT #10-24 HEX NYLOC	30..	575 321001....	1 PLUG, TIMER
15..	539 976934....	2 BOLT, HEX ⁵ / ₁₆ -18 x ¾	31..	539 105526....	1 FUEL LINE 18"
16..	539 990187....	2 WASHER ⁵ / ₁₆ SLW				

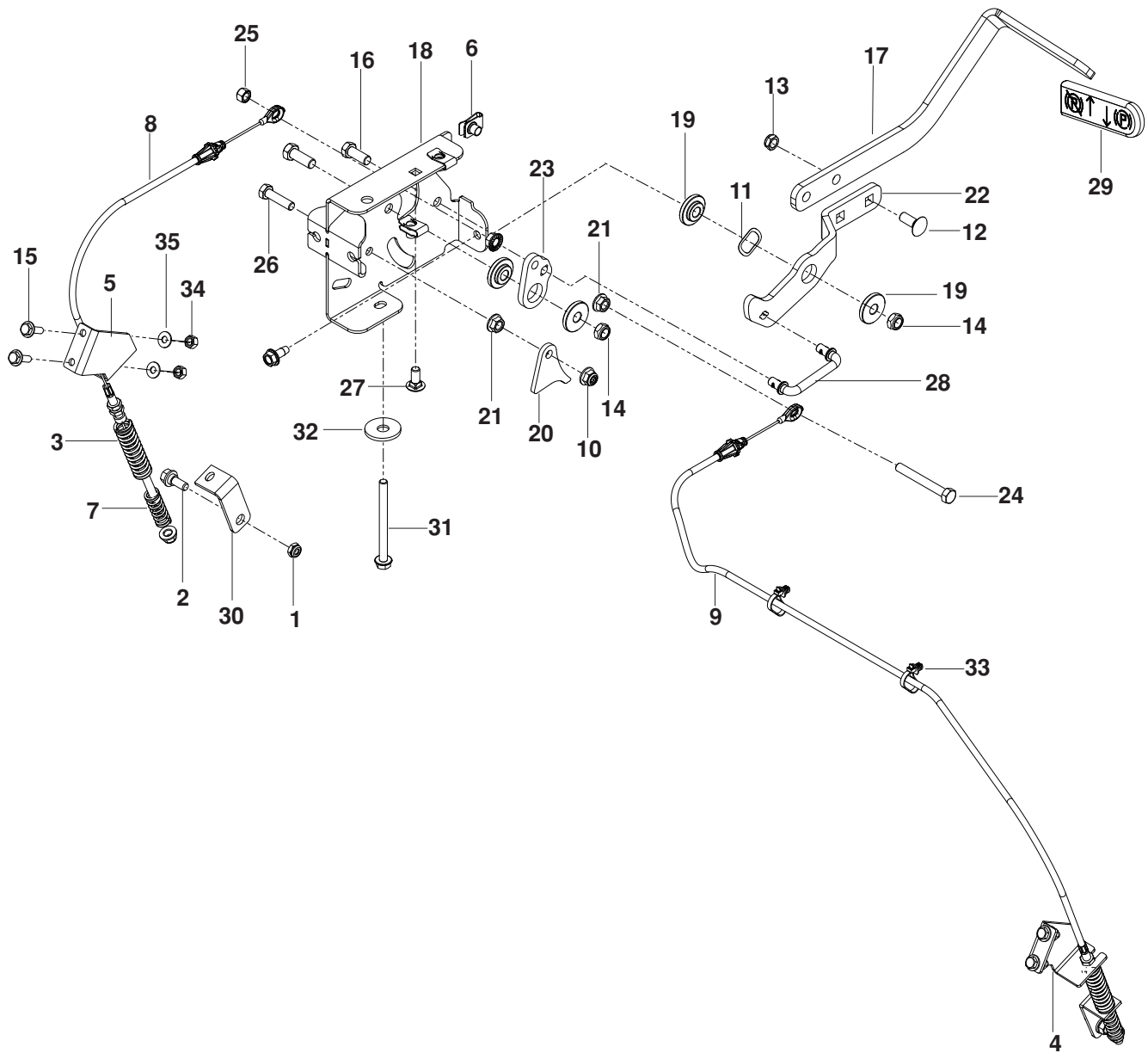
ELECTRICAL



ELECTRICAL

ITEM	PART NO.	QTY.	DESCRIPTION	ITEM	PART NO.	QTY.	DESCRIPTION
1..	539 102436....	1	BATTERY	8..	539 990316....	2	BOLT, $\frac{5}{16}$ -18 x $\frac{3}{4}$
2..	539 107628....	1	BATTERY HOLD DOWN	9..	539 112899....	4	NUT $\frac{5}{16}$ -18 FLANGE NYLOC
3..	539 107632....	2	BOLT, $\frac{1}{4}$ x $7\frac{1}{2}$	10..	575 017202....	1	PLATE, BATTERY
4..	539 107629....	2	NUT $\frac{1}{4}$ PUSH, NYLON		NOT SHOWN		
5..	539 101080....	2	SWITCH, INTERLOCK		539 104974 ...	1	POSITIVE CABLE
6..	539 991034....	2	SCREW #10-24 x $\frac{5}{8}$ WSH HD		539 107645 ...	1	NEGATIVE CABLE
7..	539 113792....	1	SWITCH, BRAKE		575 320901 ...	1	MAIN HARNESS

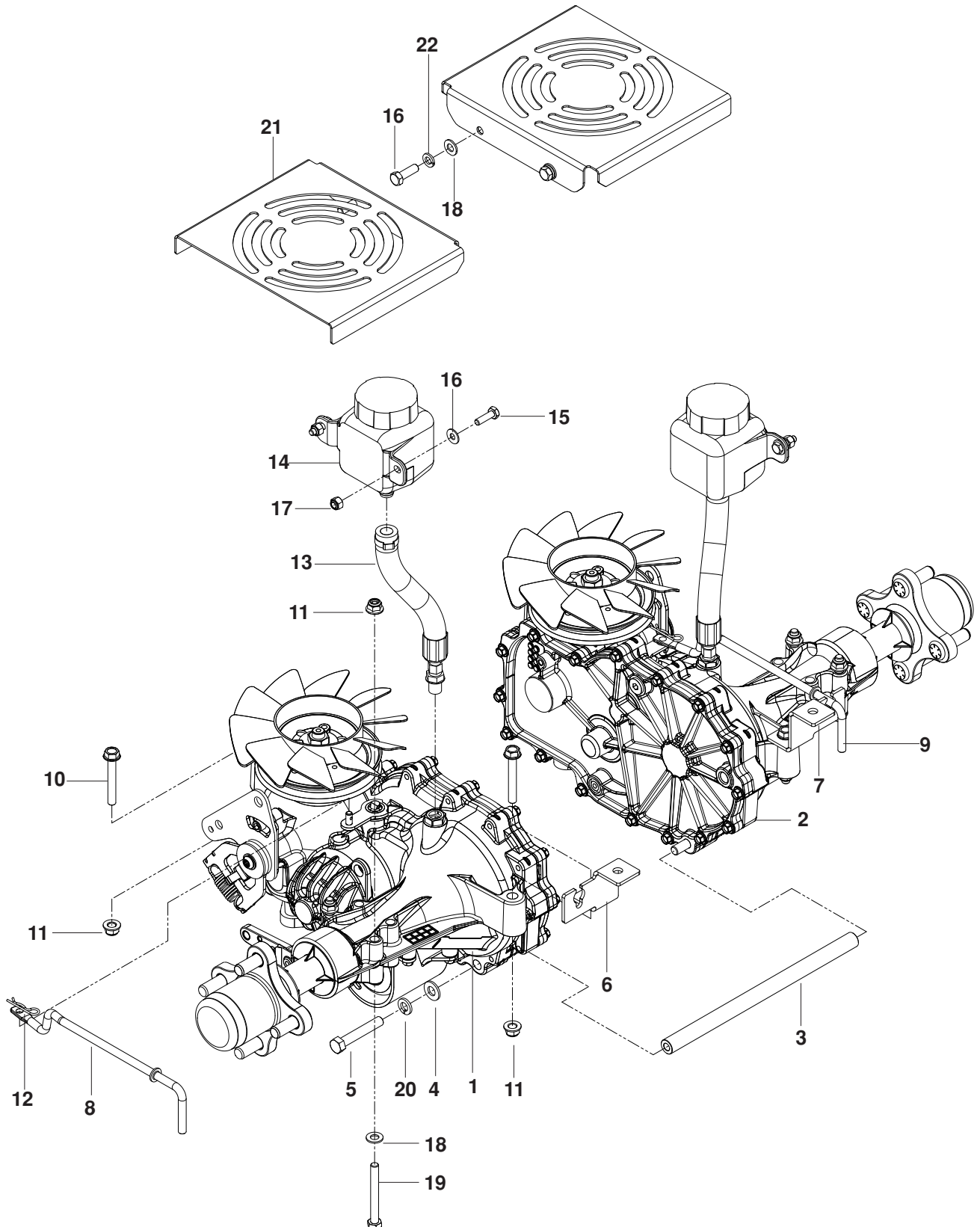
PARKING BRAKE



PARKING BRAKE

ITEM	PART NO.	QTY.	DESCRIPTION	ITEM	PART NO.	QTY.	DESCRIPTION
1..	539 115617....2	NUT ⁵ / ₁₆ HEX NYLOC	19..	539 132161....4	BUSHING, BRAKE
2..	539 110303....2	BOLT ⁵ / ₁₆ SHOLDER	20..	539 132154....1	ACTUATOR, SWITCH
3..	575 230201....2	SPRING, RETURN	21..	539 990585....3	NUT ⁵ / ₁₆ -18 HEX WHIZLK
4..	575 229602....1	BRACKET, RT	22..	539 132423....1	LEVER, BRAKE
5..	575 229702....1	BRACKET, LT	23..	539 132153....1	BELLCRANK, BRAKE
6..	539 104763....3	RETAINER, U TYPE	24..	539 108396....1	BOLT, HEX ⁵ / ₁₆ -18 x 2 ¹ / ₂ TPBLT
7..	575 230301....2	SPRING, ENGAGEMENT	25..	539 990717....1	NUT ⁵ / ₁₆ -18 HEX NYLOC
8..	539 132173....1	CABLE, BRAKE, SHORT	26..	539 990209....1	BOLT, HEX ⁵ / ₁₆ -18 x 1
9..	539 132174....2	CABLE, BRAKE, LONG	27..	539 990316....1	BOLT, RD HD ⁵ / ₁₆ -18 x ³ / ₄
10..	539 112899....4	NUT ⁵ / ₁₆ -18 FLANGE NYLOC	28..	539 132424....1	LINKAGE, BRAKE
11..	539 133007....2	WASHER .825 WAVE	29..	539 105036....1	GRIP, BRAKE HANDLE
12..	539 990645....2	BOLT, RD HD ³ / ₈ -16 x 1	30..	575 229802....2	BRACKET, BRAKE
13..	521 996501....2	NUT 3/8-16 HEX FLG NYLOC	31..	539 131780....1	HHFS 5/16-18 x 3 ³ / ₄
14..	539 200282....2	NUT ³ / ₈ -16 HEX JAM NYLOC	32..	539 109554....1	WASHER ¹ / ₂ FLAT
15..	539 990643....4	HCS ¹ / ₄ -20 x ⁷ / ₈	33..	505 280001....2	TIE, w/ CLIP
16..	539 990563....2	BOLT, HEX ³ / ₈ -16 x 1	34..	539 976978....4	NUT ¹ / ₄ -20 HEX NYLOC
17..	539 132151....1	ARM, BRAKE	35..	539 990055....4	WASHER ¹ / ₄ FLAT SAE
18..	539 132158....1	MOUNT, BRAKE				

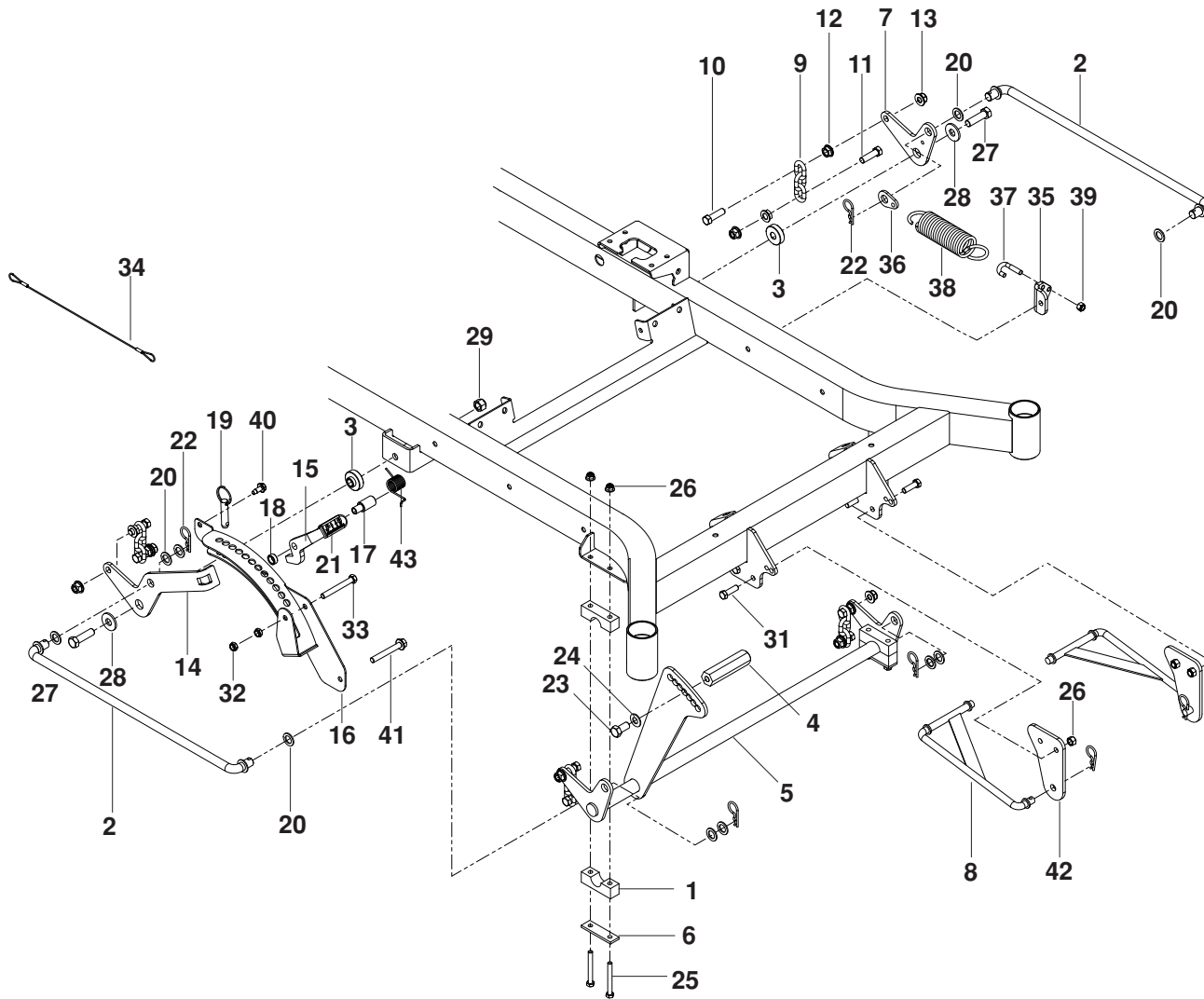
HYDRAULIC PUMP-MOTOR



HYDRAULIC PUMP-MOTOR

ITEM	PART NO.	QTY.	DESCRIPTION	ITEM	PART NO.	QTY.	DESCRIPTION
1..	574 569101....	1 TRANS, ZT-3400, LT	14..	574 811301....	2 TANK, EXPANSION
2..	574 569102....	1 TRANS, ZT-3400, RT	15..	539 990643....	4 HCS ¼-20 x 7/8
3..	574 868501....	1 TUBE, SPACER, 3400	16..	539 990055....	4 WASHER ¼ FLAT SAE
4..	539 990122....	2 WASHER, ¾ SAE FLT	17..	539 976978....	4 NUT ¼-20 HEX NYLOC
5..	539 108551....	2 HCS ¾-16 x 2½ GR8	18..	539 990188....	8 WASHER 5/16 SAE FLAT
6..	575 017102....	1 BRACKET, TRANS, LT	19..	539 101721....	4 HCS 5/16-18 x 2¾
7..	575 017002....	1 BRACKET, TRANS, RT	20..	539 990118....	2 WASHER ¾ SPLT LK
8..	539 131616....	1 LINKAGE, LEFT BYPASS	21..	575 017602....	2 COVER, FAN
9..	539 131618....	1 LINKAGE, RIGHT BYPASS	22..	539 990187....	4 WASHER 5/16 SLW
10..	574 233801....	4 HHFS 5/16-18 x 2¼	23..	539 990209....	4 BOLT, HEX 5/16-18 x 1
11..	539 112899....	8 NUT 5/16-18 HEX FLG NYLOC	NOT SHOWN			
12..	539 976988....	2 HAIRPIN COTTER		539 113466 ...	2 FILTER, HYDRO
13..	574 892101....	2 HOSE, EXPANSION				

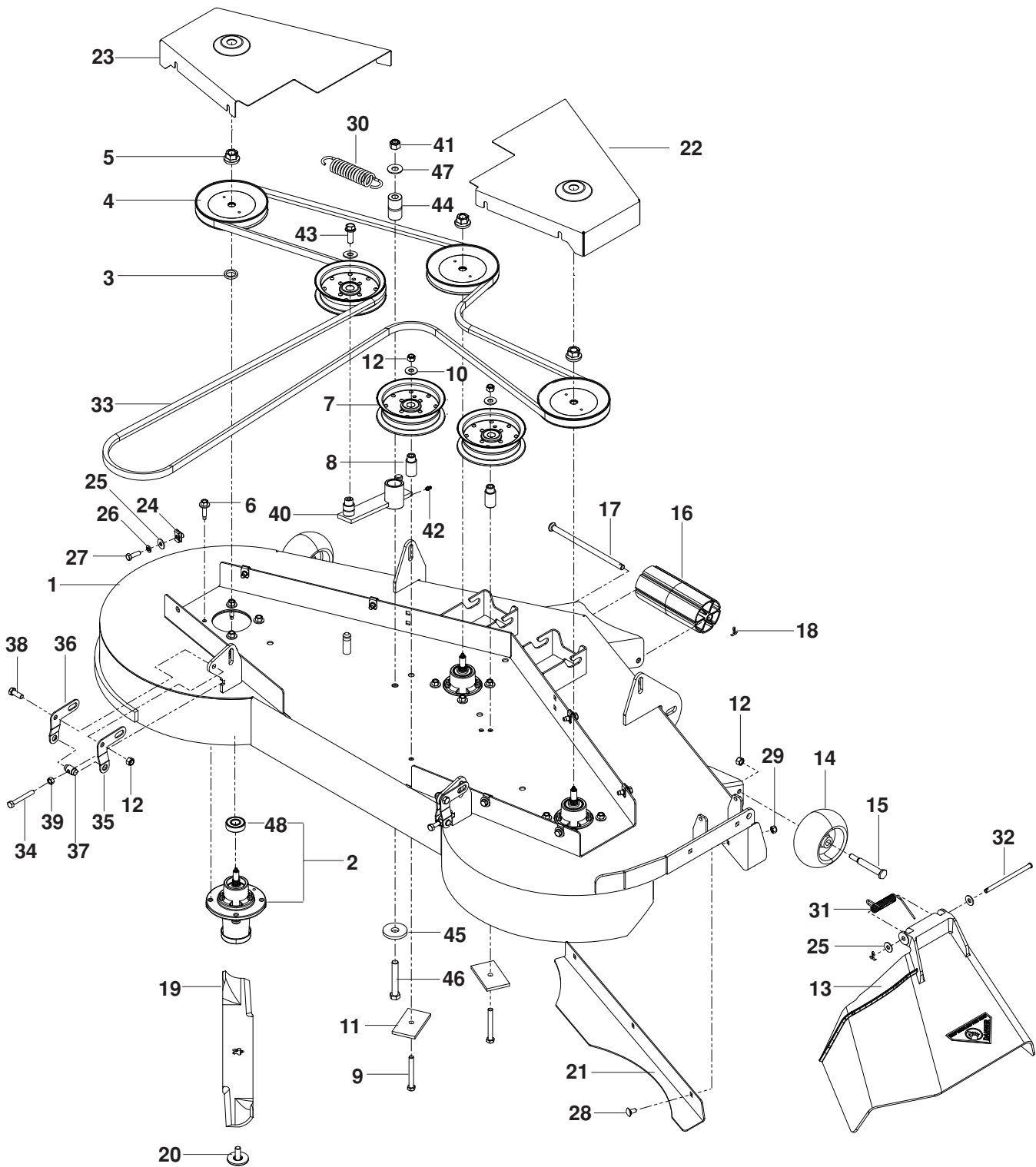
MOWER LIFT / DECK LIFT



MOWER LIFT / DECK LIFT

ITEM	PART NO.	QTY.	DESCRIPTION	ITEM	PART NO.	QTY.	DESCRIPTION
1..	539 104808....	4PILLOW BLOCK	23..	539 990646....	1 BOLT, HEX 1/2-13 x 1 3/4
2..	539 110808....	2DECK LIFT LINK	24..	539 102843....	1 WASHER 7/16" SPRING
3..	539 118937....	2 SPACER, IDLER	25..	539 101721....	4 BOLT, HEX 5/16-18 x 2 3/4
4..	539 131556....	1 PEDAL, FOOT, HEX	26..	539 112899....	5 NUT 5/16-18 FLANGE NYLOC
5..	539 131509....	1 SHAFT, FRONT-LIFT	27..	539 108181....	2 BOLT, HEX 1/2-13 x 1 3/4 GR 8
6..	539 104807....	2 REINFORCEMENT BAR	28..	539 109554....	2 WASHER 1/2 FLAT
7..	539 131897....	1 BELLCRANK, RR, LIFT	29..	539 101331....	2 NUT 1/2 HEX NYLOC
8..	539 112223....	2 STRUT LINKAGE	30..	539 976979....	4 NUT 3/8-16 HEX NYLOC
9..	539 109693....	4 LIFT CHAIN-3 LINK	31..	539 113226....	4 BOLT, HEX 5/16-18 x 1 THD FM
10..	539 101175....	4 BOLT, HEX 7/16-14 x 1 1/2	32..	539 200282....	2 NUT 3/8-16 HEX JAM NYLOC
11..	539 108073....	4 BOLT, HEX 7/16-14 x 1 3/4	33..	539 101341....	1 BOLT, HEX 3/8-16 x 3
12..	539 102582....	8 NUT 7/16-14 HEX WHIZ LK	34..	539 105059....	1 LANYARD
13..	539 132019....	8 NUT 7/16-14 HEX WHIZ LK	35..	539 131791....	1 MOUNT, SPRING
14..	539 131853....	1 BELLCRANK, RR, RT	36..	539 131792....	1 TAB, SPRING
15..	539 131566....	1 LATCH, TRANSPORT	37..	539 112896....	1 J-BOLT
16..	539 131850....	1 HEIGHT, ADJUST, DECK	38..	539 102642....	1 SPRING
17..	539 131860....	1 PIVOT, LATCH, TRANSPORT	39..	539 990717....	1 NUT 5/16-18 HEX NYLOC
18..	539 131861....	1 SPACER	40..	539 107475....	1 BOLT 5/16-18 x 3/4 THD FRM
19..	539 132182....	1 PIN 1/2 x 1 1/2 DETENT RING	41..	539 131781....	1 SCREW, HX FLG 3/8-16 x 2 3/4
20..	539 991043..	10 BUSHING .625	42..	539 132017....	2 MOUNT, STRUT
21..	539 132851....	1 GRIP	43..	539 132734....	1 SPRING, TORSION
22..	539 115501....	6 PIN, COTTER 1 3/4				

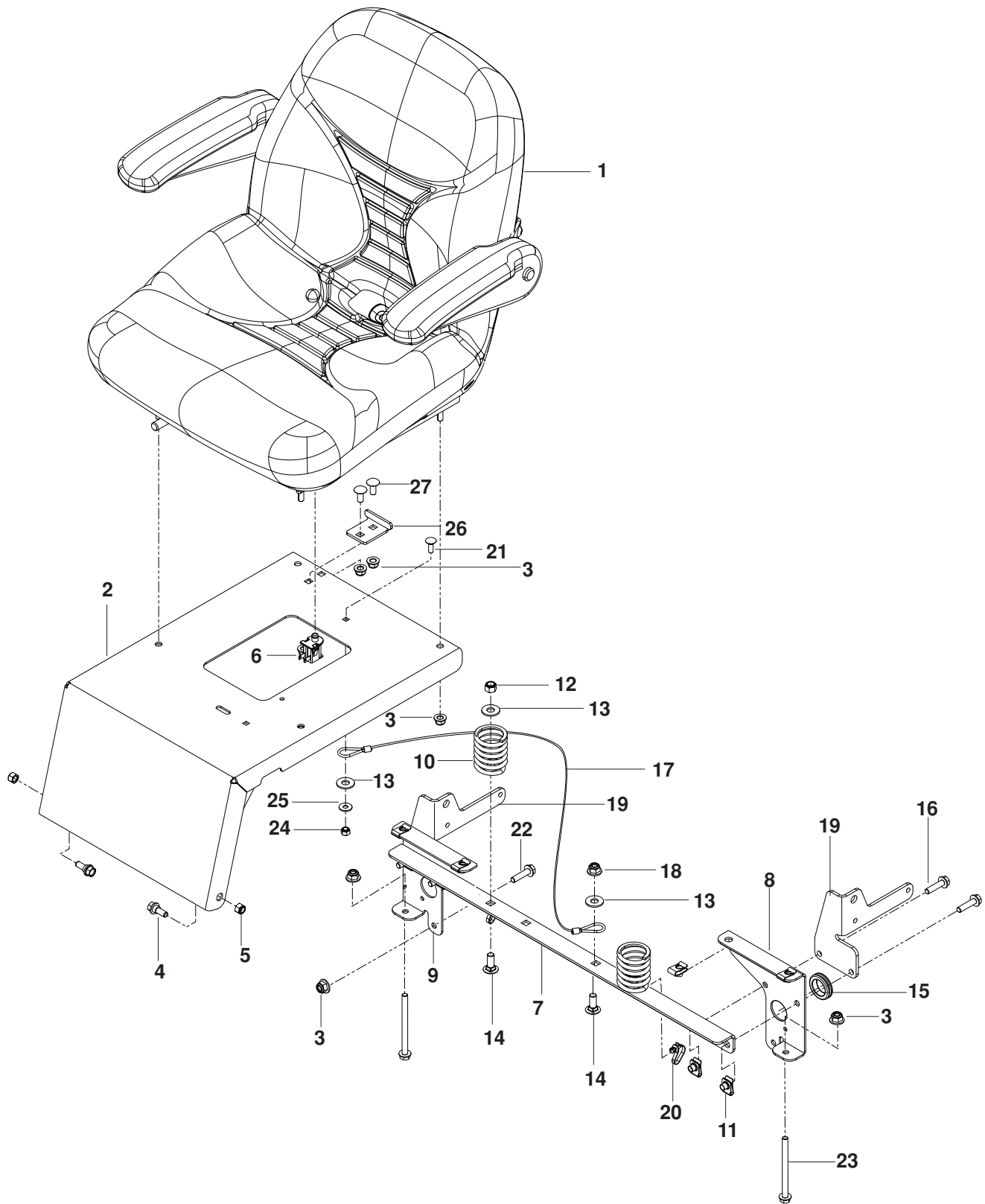
MOWING DECK



MOWING DECK

ITEM	PART NO.	QTY.	DESCRIPTION	ITEM	PART NO.	QTY.	DESCRIPTION
1..	539 132747....	1	DECK w/ SAFETY DECALS	25..	539 990692..	10	WASHER ⁵ / ₁₆ STD FLT
2..	539 112170....	3	HOUSING ASSEMBLY	26..	539 990187....	8	WASHER ⁵ / ₁₆ SLW
3..	539 107520....	3	WASHER-SPACER	27..	539 990209....	8	BOLT, HEX ⁵ / ₁₆ -18 x 1
4..	539 113300....	3	PULLEY	28..	539 990799....	3	BOLT, RD HD ⁵ / ₁₆ -18 x ⁵ / ₈
5..	539 107590....	3	NUT ⁹ / ₁₆ TOP CENTER LOCK	29..	539 990717....	3	NUT ⁵ / ₁₆ -18 HEX NYLOC
6..	539 107630..	12	SCREW, WASHER HEAD	30..	539 103256....	1	SPRING
7..	539 132728....	3	PULLEY, IDLER	31..	539 110735....	1	SPRING, TORSION
8..	539 112169....	2	IDLER BUSHING	32..	539 110736....	1	PIN, CLEVIS ⁵ / ₁₆
9..	539 101341....	2	BOLT, HEX ³ / ₈ -16 x 3	33..	539 104335....	1	BELT, DECK
10..	539 990517....	2	WASHER ³ / ₈ FLAT STD	34..	539 108396....	2	BOLT, HEX ⁵ / ₁₆ -18 x 2 ¹ / ₂ TPBLT
11..	539 103303....	2	PAD	35..	539 131857....	2	PITCH, ADJUST, RT
12..	539 976979....	6	NUT ³ / ₈ -16 HEX NYLOC	36..	539 131858....	2	PITCH, ADJUST, LT
13..	539 110734....	1	DISCHARGE CHUTE, 61"	37..	539 131859....	2	TRUNION, PITCH
14..	539 107610....	2	WHEEL, GAUGE	38..	539 990563....	2	BOLT, HEX ³ / ₈ -16 x 1
15..	539 107608....	2	BOLT, SHOULDER	39..	539 990196....	2	NUT ⁵ / ₁₆ -18 HEX
16..	532 176066....	1	ROLLER, NOSE, 48"	40..	539 112198....	1	IDLER ARM WELDMT
17..	539 107613....	1	ROD, ROLLER, NOSE	41..	539 101331....	1	NUT ¹ / ₂ HEX NYLOC
18..	539 990365....	2	PIN, COTTER ¹ / ₈ x ³ / ₄	42..	539 976998....	1	ZERK
19..	539 113312....	3	BLADE, 21"	43..	539 990582....	1	BOLT, HEX ³ / ₈ -16 x 1 WHIZLK
20..	539 107522....	3	BOLT ⁷ / ₁₆ BLADE	44..	539 103427....	1	PIVOT BUSHING
21..	539 113317....	1	CONFINEMENT PLATE	45..	539 102243....	1	SUPPORT WASHER
22..	539 113319....	1	BELT SHIELD, RH	46..	539 103433....	1	BOLT, HEX ¹ / ₂ -13 x 3 ¹ / ₄
23..	539 113322....	1	BELT SHIELD, LH	47..	539 990550....	1	WASHER ¹ / ₂ STD FLT
24..	539 104763....	8	RETAINER, U TYPE	48..	539 112050....	3	BALL BEARING

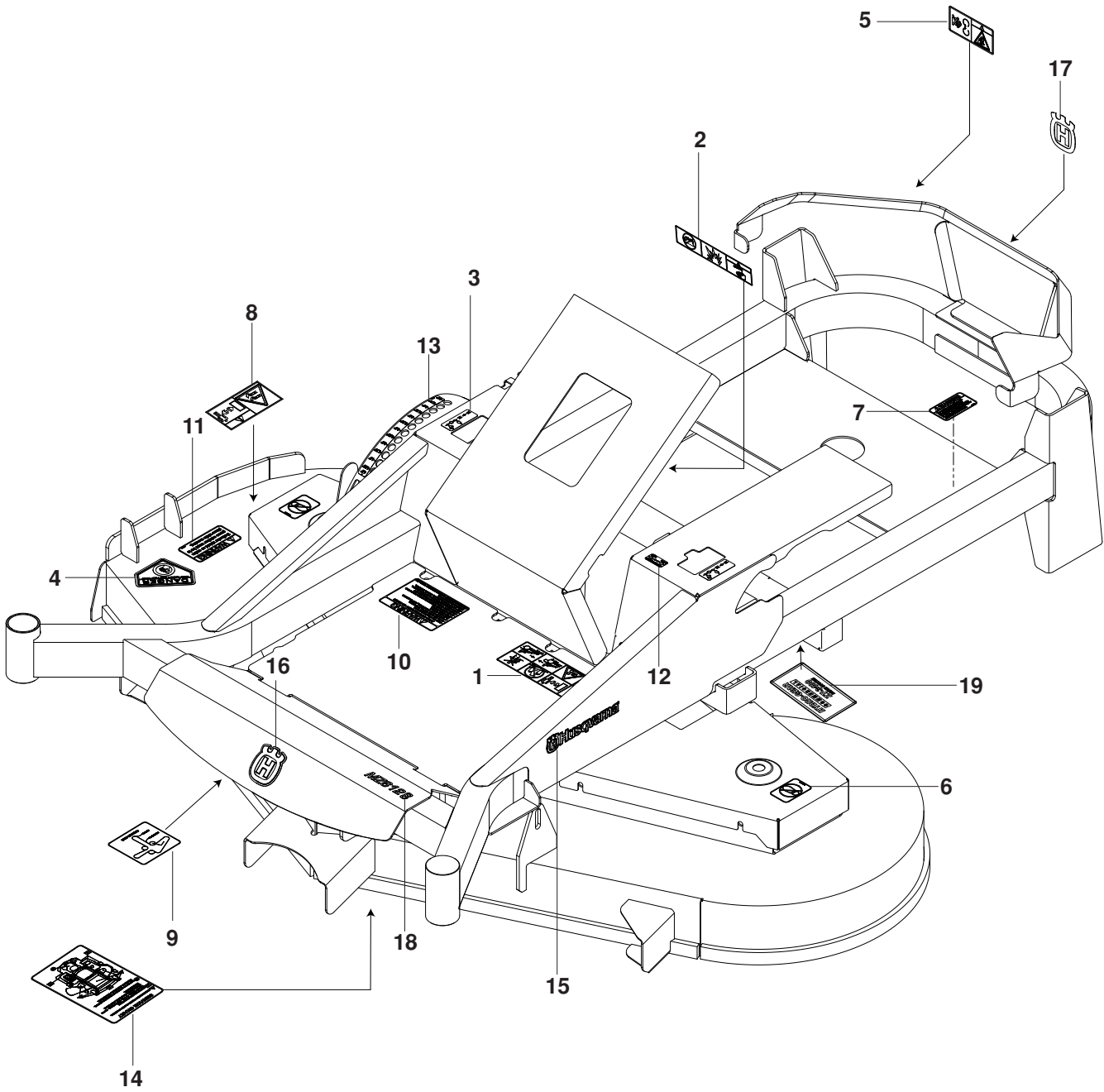
SEAT



SEAT

ITEM	PART NO.	QTY.	DESCRIPTION	ITEM	PART NO.	QTY.	DESCRIPTION
1..	539 130873....	1 SEAT	15..	539 105974....	1 GROMMET RUBBER
2..	575 608601....	1 MOUNT, SEAT w/ DECAL	16..	525 544001....	4 HHFS $\frac{5}{16}$ -18 x $1\frac{1}{4}$ TPBLT
3..	539 112899..	10 NUT $\frac{5}{16}$ -18 FLANGE NYLOC	17..	539 103247....	1 LANYARD, SEAT
4..	539 130896....	2 BOLT $\frac{5}{16}$ -18 HEX HD	18..	521 996501....	1 NUT $\frac{3}{8}$ -16 FLG HEX NYLOC
5..	539 990717....	2 NUT $\frac{5}{16}$ -18 HEX NYLOC	19..	575 017402....	2 MOUNT, SEAT BELT
6..	539 119741....	1 SWITCH, SEAT	20..	505 280001....	2 TIE WRAP w/ CLIP
7..	539 131656....	1 SUPPORT, SEAT	21..	539 990074....	1 RHSNB $\frac{1}{4}$ -40 x $\frac{3}{4}$
8..	575 224102....	1 SUPPORT, LT	22..	539 113226....	2 BOLT, HEX $\frac{5}{16}$ -18 x 1 THD FM
9..	575 224002....	1 SUPPORT, RT	23..	539 131780....	2 SCREW, HX FLG $\frac{5}{16}$ -18 x $3\frac{3}{4}$
10..	539 110300....	2 SPRING, SEAT	24..	539 976978....	1 NUT $\frac{1}{4}$ -20 HEX NYLOC
11..	539 104763....	8 RETAINER, U TYPE	25..	539 990598....	1 WASHER $\frac{1}{4}$ FLAT
12..	539 976979....	2 NUT $\frac{3}{8}$ -16 HEX NYLOC	26..	539 130793....	1 DECK STOP
13..	539 990517....	4 WASHER $\frac{3}{8}$ FLAT STD	27..	539 109100....	2 RHSNB $\frac{5}{16}$ -18 x $\frac{3}{4}$
14..	539 990645....	3 BOLT, RD HD $\frac{3}{8}$ -16 x 1				

DECALS



DECALS

ITEM	PART NO.	QTY.	DESCRIPTION	ITEM	PART NO.	QTY.	DESCRIPTION
1..	539 107959	...1	...DECAL, WARNING	11..	539 113224	...1	...DECAL, WARNING
2..	539 105745	...1	...DECAL, BATTERY WARNING	12..	539 110974	...2	...DECAL, F.S.T
3..	539 103333	...2	...DECAL, MOTION CONTROL	13..	539 132039	...1	...DECAL, HEIGHT ADJUST
4..	539 913010	...1	...DECAL, CPSC	14..	539 132187	...1	...DECAL, SERVICE
5..	539 105744	...1	...DECAL, DANGER BLT DRIVE	15..	532 422012	...2DECAL, HUSQVARNA
6..	539 105743	...2	...DECAL, NO STEP	16..	532 422011	...1DECAL, CROWN H
7..	539 101881	...1	...DECAL, PROP 65	17..	574 4550021DECAL, CROWN H
8..	539 105746	...1	...DECAL, SEVERING	18..	521 9880021DECAL, M6128
9..	539 132040	...1	...DECAL, BELT ROUTING	19..	574 8155011DECAL, HYDROGEAR
10..	539 113213	...1	...DECAL, WARNING				

