



Husqvarna

Great experience

PT 26D
Operator's manual
English

Chapter 1:Introduction	3	28. Throttle control	45
Congratulations	3	29. High speed	45
Driving and Transport on Public Roads	3	30. Weight transfer	46
Towing	3	31. Rotating warning light (traffic kit option)	46
Use	4	32. Parking lights (traffic kit option)	47
Proper Service	5	33. Spare	47
Serial Number	6	34-35.Power outlet	47
Chapter 2:Symbols and Decals	7	36. Chronometer	48
Chapter 3:Safety Instructions	11	40-51. Warning lamps	48
General Use	11	49. Lever for steering wheel console angle	49
Driving on slopes	16	Adjusting the steering wheel setting	49
Children	18	Cooling system	50
Maintenance	19	Cutting unit	54
Transport	25	Accessories	55
Environment protection	26	Towing	55
User responsibility	28	Chapter 5:Driving	57
Chapter 4:Presentation	29	Mowing Tips	57
1-2. Speed control	34	Before Starting	59
3. Parking brake	35	Starting the engine	61
4. Control panel	35	Driving the machine	66
5-9. Seat	35	Braking	68
10. Steering wheel and steering wheel console	37	Cutting the engine	69
11. Differential Lock	38	Bleeding in the event of fuel stoppage.	70
12. Adjusting the cutting height	38	Engine stop	70
13. Fuelling	39	Chapter 6:Maintenance	71
21-37. Controls on the control panel	40	Maintenance Schedule	71
21. Control lever hydraulics	40	Cleaning	77
22. Switch for operation of cutting unit	42	Removing the machine's covers	79
23. Switch for extra hydraulic function (hydraulic kit option)	42	Checking radiatorgrilles	79
24. Push button for horn (traffic kit option)	43	Cleaning the radiator's heat exchanger	80
25. Indicators (traffic kit option)	43	Adjusting the pump and generator drive belts	80
26. Starter switch	44	Replacing the pump and generator drive belts	81
27. Headlight	44	Checking and adjusting the throttle control	81
		Checking the exhaust system	82
		Adjusting the parking brake	83

Servicing the air filter84
Cleaning the cyclone filter84
Replacing the air filter85
Bleeding the fuel system86
Servicing the fuel filter87
Checking the Tyre Pressures88
Servicing the battery89
Fuses90
Checking the Safety System92
Replacing the bulb in the headlight93
Light setting94
The Cutting Unit Components95
Attaching and removing the cutting unit95
Side shifting the cutting unit96
Setting the cutting height and tilt angle99
The Cutting Unit's Service Position101
Cutting Unit Model103
Checking the Blades104
Replacing the power take-off belts105
Adjusting the power take-off belts106
Replacing the cutting unit belt107
Removal of BioClip Plug109

Chapter 7:Lubrication.....111
Lubrication Schedule111
General112
Lubricating the cables112
Accessories113
Lubricating in Accordance with the Lubrication
Schedule113

Chapter 8:Trouble Shooting Guide127

Chapter 9:Storage.....133
Winter Storage133
Service135

Chapter 10:Electrical system.....137

Chapter 11:Hydraulic System138
Chapter 12:Fuel system141
Technical Data.....143
Design standards.....149



WARNING:

Failure to observe the safety instructions or operating instructions can result in serious injury to the operator or others. The machine's owner must understand the importance of these instructions and only allow operators who are trained on the machine and who understand the instructions to handle the machine. The operator must, with full judgement, handle the machine with care and must not be under the influence of alcohol, drugs or medication that affects judgement.

Chapter 1: Introduction

Congratulations

Thank you for purchasing a Husqvarna PT 26D. Husqvarna PTs have been designed according to a unique concept with a front mounted cutting unit and Husqvarna's unique rear wheel steering. The machine is built to give maximum efficiency even in small and difficult areas. Collected controls and a hydrostatic transmission controlled by pedals also contribute to the machine's performance.

This Operator's Manual is a valuable document. Following the instructions (use, service, maintenance, etc.) can considerably increase the service life of your machine and even increase its resale value.

When you sell your machine, make sure to give the operator's manual to the new owner.

A service journal is available for the machine. Ensure that service and repair work is documented. A well-kept service journal reduces service costs for the season-based maintenance and affects the machine's resale value. Take the service journal along when the machine is taken to the workshop for service.

Driving and Transport on Public Roads

Check applicable road traffic regulations before driving and transport on public roads. You should always use approved load retainers during transport and ensure that the machine is well secured.

Towing

The PT 26D is equipped with hydrostatic transmission and a bypass valve must be used when towing.

Use

This machine is designed to mow grass on ordinary lawns and other open and level ground surfaces without obstacles such as stones, stumps and the like. All other types of use are incorrect. The manufacturer's instructions with regard to driving, maintenance and repair must be followed precisely, even when the machine is equipped with special accessories supplied by the manufacturer for which operating instructions accompany the delivery.

This machine should be operated, serviced and repaired only by persons who are familiar with its particular characteristics and who are acquainted with the relevant safety instructions.

Accident prevention regulations, other general safety regulations, occupational safety rules, and traffic regulations must be observed.

Unauthorised modifications to the design of the machine may absolve the manufacturer from liability for any resulting personal injury or property damage.

Proper Service

Husqvarna's products are sold all over the world and only by specialised retail traders offering complete service. This ensures that you as a customer receive only the best support and service. Before the product is delivered, the machine has, for example, been inspected and adjusted by your dealer, see the certificate in the Service Journal.

When you need spare parts or support concerning service, warranty issues, etc., please consult the following professional:

This operator's manual belongs to the machine bearing serial number:	Engine	Transmission

Serial Number

The serial number can be found on the printed plate attached on the right-hand side under the seat. The plate includes the following information:

- The machine's type designation.
- Weight.
- The manufacturer's type number.
- The machine's serial number.
- Manufacturer.

Please state the type designation and serial number when ordering spare parts.

The engine's serial number is on the engine block above the injection pump.

Please state this when ordering spare parts.

The hydraulic pump and hydraulic motors are equipped with rating plates that indicate type designation and serial or manufacture numbers.

Please state these when ordering spare parts.

Chapter 2: Symbols and Decals

These symbols are found on the machine and in the operator's manual. Symbols for control units and warning lamps are displayed in chapter "Presentation", see page 42 and following pages.

Study them carefully so you understand their significance.



Read the operator's manual



Warning



Use hearing protection



Use protective gloves



Use protective glasses



Poisonous
Hazardous to health



Oil level



Engine off



Fuel



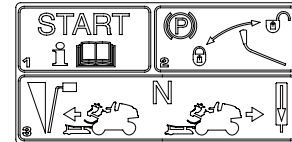
Fast



Slow



Cutting



Starting instructions:

Activate the parking brake
Read the operator's manual
Hydrostat pedals in neutral position



Noise emission to surroundings in accordance with the directive of the European Community. The machine's emission is indicated in the TECHNICAL DATA chapter and on the decal.



Tyre pressure
1,0 bar
14,5 PSI



CE conformity marking

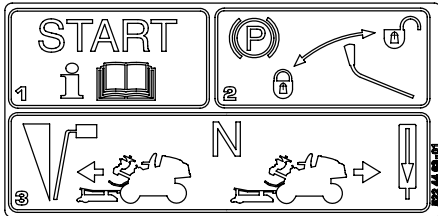


Danger. Keep your hands and feet away



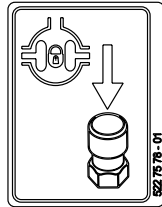
Read the
Operator's manual

Parking brake



Pedal forwards

Pedal backwards



Differential lock

Warning!
Rotating
blades

Only for
attached
cutting unit

Do not insert
your hands
or feet under
the cover
when the
engine is
running

Never carry
passengers
on the
machine
or on its tools.



Warning!
Risk of the
machine
overturning

Drive very
slowly
without the
cutting unit

Never
drive
directly
across a
slope

Never use the
machine if
there are
people,
especially
children, or
pets, in the
immediate
vicinity.



WARNING:

XXXXXXXX X XXXX XXXXX XXXXX XXXXX XXXXXXXXXXXX XXX
XXXXXXXX. XXXX XXXXXXXXXXX XXX XX XXXX

Used in this publication to notify the reader of a risk of serious *personal injury*, particularly if the reader should neglect to follow instructions given in the manual.

IMPORTANT INFORMATION:

Xxx xxx xxxx xxxxxxxxxxx xxx xxxxx xxx xxxx xx
xxxxx xx xxxxx. Xxx xxxxxxxxxxx xx x x xxxxxxxx xx
xxxx xxxx.

Used in this publication to notify the reader of a risk of **material damage**, particularly if the reader should neglect to follow instructions given in the manual. Used also when there is a potential for misuse or misassembly.

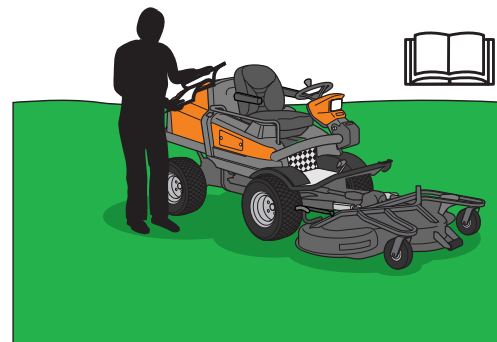
Avoid hosing the decals with high pressure washers. Replace damaged decals before the machine is used.

Chapter 3: Safety Instructions

These instructions are for your safety. Read them carefully.

General Use

- Read all instructions in this operator's manual and on the machine before starting it. Ensure you understand them and then observe them.
- Learn how to use the machine and its controls safely and learn how to stop quickly. Also learn to recognise the safety decals.
- If you get into a situation where you feel unsure about how to progress, stop and seek expert advice. Contact your Husqvarna retailer, service agent or an experienced user. Avoid all usage that you consider to be beyond your capability.
- Only allow the machine to be used by adults who are familiar with its use.
- Make sure nobody else is in the vicinity of the machine when you start the engine, engage the drive, or run the machine.



Read the operator's manual before starting the machine

Safety Instructions

- Clear the area of objects such as stones, toys, steel wire, etc. that may become caught in the blades and thrown out.
- Beware of the rear ejector and do not point it at any one.
- Stop the engine and prevent it from starting before you clean the cutting unit.
- Remember that the driver is responsible for dangers or accidents.



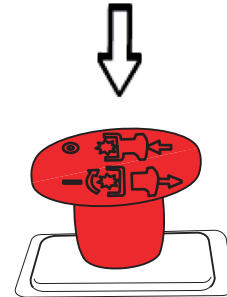
Clear the area of objects before mowing

- Never carry passengers. The machine is only intended to be used by one person.
- Always look down and behind before and during reversing manoeuvres. Keep watch for both large and small obstacles.
- Slow down before turning.



Never take passengers

- Shut down the blades when not mowing. The blades must only be running when the cutting unit is lowered and active when used for mowing.
- Be careful when rounding fixed objects, so that the blades do not hit them. Never run the machine over foreign objects.
- Never drive close to objects or other machines. Remember that “Brake pedal reflex” from driving a car has the opposite effect if you press on the forward pedal.



Shut down the blades



WARNING:

Engine exhaust, some of its constituents and certain vehicle components contain or emit chemicals considered to cause cancer, birth defects or other reproductive impairment. The engine emits carbon monoxide, which is a colourless, poisonous gas. Do not use the machine in enclosed spaces.

- Only use the machine in daylight or in other well-lit conditions. Keep the machine at a safe distance from holes or other irregularities in the ground. Pay attention to other possible risks.
- Never use the machine if you are tired, if you have consumed alcohol, or if you are taking other drugs or medication that can affect your vision, judgement, or co-ordination.
- Beware of traffic when working near or crossing a road.



Keep children away from the work area

- Never leave the machine unsupervised with the motor running. Always stop the blades, apply the parking brake, stop the engine and remove the keys before leaving the machine.
- Never allow children or other persons not trained in the use of the machine to use or service it. Local laws may regulate the age of the user.



WARNING:

You must use approved personal protective equipment whenever you use the machine. Personal protective equipment cannot eliminate the risk of injury but it will reduce the degree of injury if an accident does happen. Ask your dealer for help in choosing the right equipment.

- Use hearing protection to minimise the risk of hearing impairment.
- Wear approved protective goggles or a full visor when driving.



Personal protective equipment

- Never use the machine when barefoot. Always wear protective shoes or protective boots, preferably with steel toes.
- Make sure that you have first aid equipment close at hand when using the machine.

Driving on slopes

Driving on slopes is one of the operations where the risk of the driver losing control of the machine or of it overturning is the greatest; this can result in serious injury or death. All slopes demand extra care. If you cannot reverse up a slope or if you feel unsure, do not mow it.

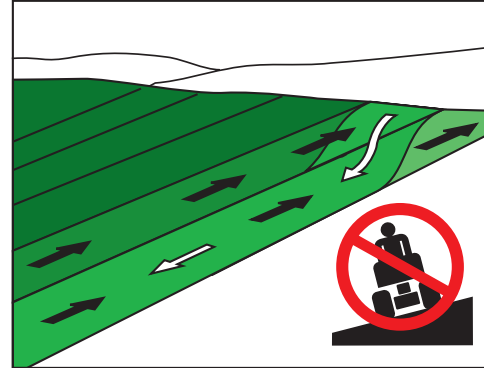


WARNING:

**Do not drive down slopes with the unit raised.
Control can be reduced due to the changed centre of gravity.**

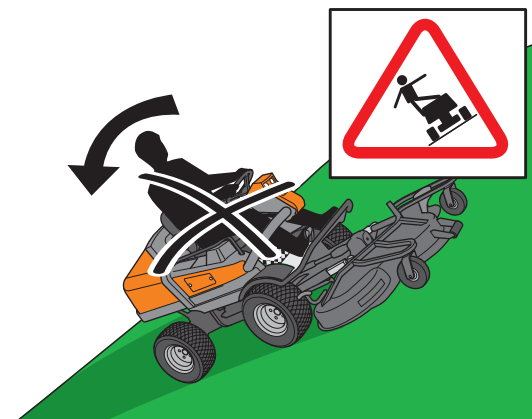
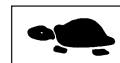
Do as follows

- Remove obstacles such as stones, tree branches, etc.
- Mow up and down, not side-to-side.



Mow upwards and downwards on slopes, not sideways.

- The differential lock should also be used on slopes.
- Never drive the machine on terrain that slopes more than 10°.
- Avoid starting or stopping on a slope. If the tyres start to slip, stop the blades and drive slowly down the slope.
- Always drive evenly and slowly on slopes.
- Make no sudden changes in speed or direction.
- Avoid unnecessary turns on slopes, and if it proves necessary, turn slowly and gradually downward, if possible.
- Watch out for and avoid driving over furrows, holes, and bumps. It is easier for the machine to overturn on uneven ground. Tall grass can hide obstacles.
- Drive slowly. Do not turn the wheel sharply.
- Be extra cautious with any additional equipment, which can alter the machine's stability.
- Do not mow near verges, ditches, or banks. The machine can suddenly overturn if one wheel comes over the edge of a steep slope or a ditch, or if an edge gives way.
- Do not mow wet grass. It is slippery, and tyres can lose their grip so that the machine skids.

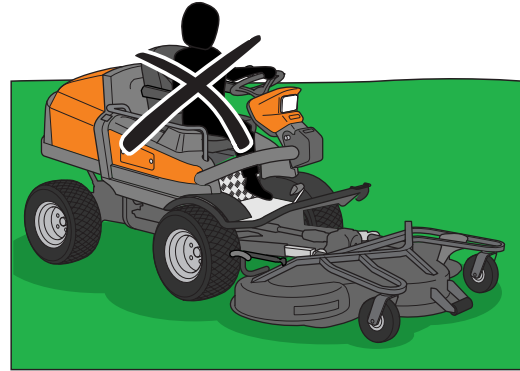


Be extra cautious when driving on slopes

- Try not to stabilise the machine by putting a foot on the ground.
- When cleaning under the machine, it may never be driven near verges or ditches.

Children

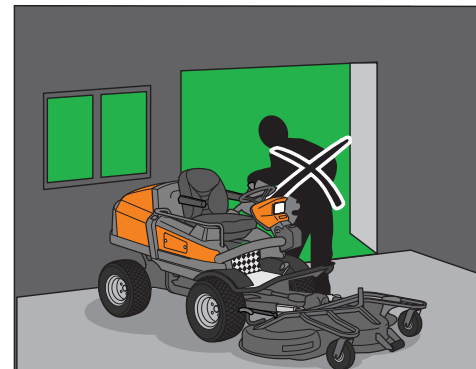
- Serious accidents may occur if you fail to be on guard for children in the vicinity of the machine. Children are often attracted to the machine and mowing. Never assume that children will stay put where you last saw them.
- Keep children away from the mowing area and under close supervision by another adult.
- Keep an eye out and shut off the machine if children enter the work area.
- Before and during a reversing manoeuvre, look backward and downward for small children.
- Never allow a child to ride with you. They can fall off and seriously injure themselves or be in the way for safe manoeuvring of the machine.
- Never allow children to operate the machine.
- Be particularly careful near corners, bushes, trees or other objects that block your view.



Never allow children to operate the machine

Maintenance

- Stop the engine. Remove the ignition key before making any adjustments or carrying out maintenance.
- Never fill the fuel tank indoors.
- Only store fuel in clean containers approved for the purpose.
- Never remove the fuel cap or fill the fuel tank with fuel while the engine is running.
- Allow the engine to cool before refuelling. Do not smoke.
- Handle oil, oil filters, fuel and the battery carefully, of environmental considerations. Observe applicable recycling regulations.
- Do not allow compressed air to come into contact with skin. If compressed air penetrates the skin, seek medical advice immediately.
- Seek medical advice immediately if skin comes into contact with fuel, which that is under high pressure.
- The combustible material in some of the engine's components (e.g. certain seals) can be very dangerous if ignited. Never allow burnt material to come into contact with skin or eyes.



Never fill the fuel tank indoors

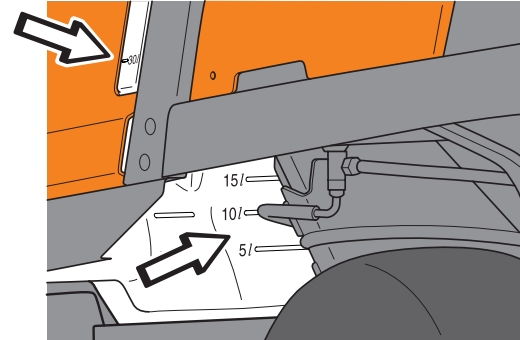
- Do not remove the filler cap or any other component on the cooling system when the engine is hot or under pressure, as hazardous hot coolant can spray out.



WARNING:

The engine, exhaust system, cooling system and hydraulic system components become extremely hot during operation. Risk of burn injuries if touched. Wear protective gloves

- If leaks arise in the fuel system, the engine must not be started until the problem has been resolved.
- Store the machine and fuel in such a way that there is no risk of leaking fuel or fuel vapour leading to damages.
- Check the fuel level before each use and leave space for the fuel to expand, because the heat from the engine and the sun may otherwise cause the fuel to expand and overflow.



Tank with level window

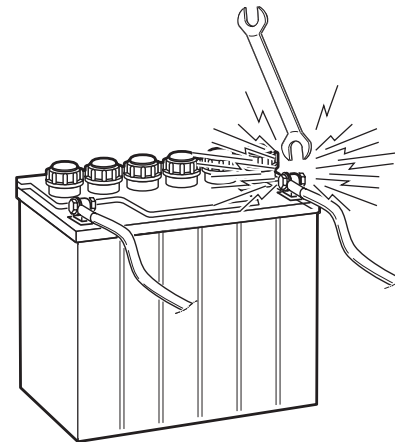
- Avoid overfilling. In the event of spilling fuel on the machine, wipe it up before starting the engine. If you spill petrol on your clothing, change your clothing.
- Material that has been contaminated by fuel must be moved to a fire proof and environmentally safe place.
- Allow the machine to cool before taking any actions in the engine room.



WARNING:

The battery contains lead and lead compounds, chemicals that are considered to cause cancer, birth defects, and other reproductive system damage. Wash your hands after touching the battery. Use protective goggles when working with the battery.

- Sparking can occur when working with the battery and the thick cables in the starter motor circuit. This can cause the battery to explode, fire or eye injuries. Sparking in the circuit can not occur once the battery's power connection cable (usually the black negative cable) has been disconnected.



Risk of sparking

IMPORTANT INFORMATION:

Avoid sparking and its consequences by:

Wearing protective glasses.

Make sure that the fuel cap is fitted and that no flammable liquids are stored in an open container.

Do not work on the starter motor circuit in the vicinity of spilled fuel.

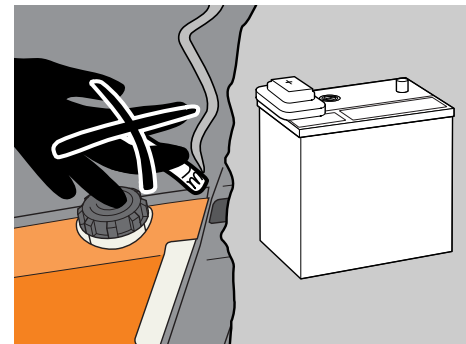
Disconnect the battery's power connection cable (usually the black negative cable) first and connect it last.

Exercise care with tools so that short circuiting does not occur.

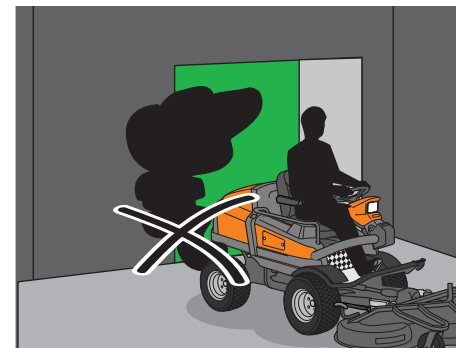
Do not short circuit across the starter relay's connections to run the starter motor.

- Be especially careful when handling battery acid. Acid on the skin can cause serious corrosive injuries. In the event of spillage on the skin wash immediately with water.

- Acid in the eyes can cause blindness, contact a doctor immediately.
- Be careful when servicing the battery. Explosive gases form in the battery. Never perform maintenance on the battery while smoking or in the vicinity of open flames or sparks. This can cause the battery to explode and cause serious injuries.
- Make sure all nuts and bolts are tightened correctly and that the equipment is in good condition.
- Do not modify safety equipment. Check regularly to be sure it works properly. The machine must not be driven if protective plates, protective covers, safety switches or other protective devices are not fitted or are defective.
- Do not change the settings of governors and avoid running the engine with overly high engine speeds. If you run too fast, you risk damaging the machine components.
- Never use the machine indoors or in spaces lacking proper ventilation. Exhaust fumes contain carbon monoxide, an odourless, poisonous and highly dangerous gas.
- Stop and inspect the equipment if you run over or into anything. If necessary, make repairs before starting.
- Never make adjustments with the engine running.



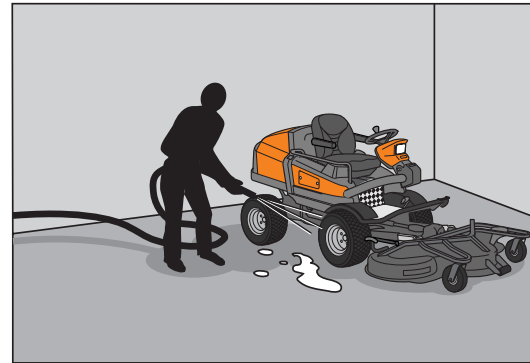
Do not smoke when carrying out maintenance



Never drive the machine in an enclosed space

Safety Instructions

- The machine is tested and approved only with the equipment originally provided or recommended by the manufacturer.
- The blades are sharp and can cause cuts and gashes. Wrap the blades or wear protective gloves when handling them.
- Check the parking brake's functionality regularly. Adjust and maintain as required.
- The mulching unit should only be used where better quality mowing is required and in known areas.
- Reduce the risk of fire by removing grass, leaves and other debris that may have fastened in the machine. Allow the machine to cool before putting it in storage.
- Do not turn over the engine by hand without preventing the engine from starting, which can be done in different ways:
 - a. Remove the glow plug, no compression the engine can therefore be easily turned over.
 - b. Loosen a pressure pipe connection on each jet pipe a 1/2 turn.
 - c. Secure the injection pump stop arm in position for zero supply.



Clean the machine regularly

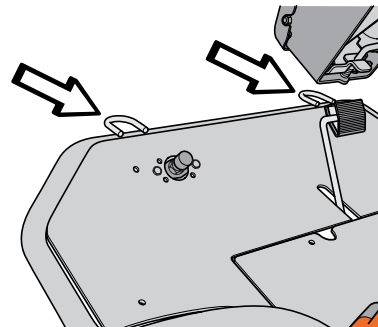
Transport

IMPORTANT INFORMATION:

The parking brake is not sufficient to lock the machine during transport. Ensure you secure the machine firmly to the transporting vehicle.

The machine is heavy and can cause serious crushing injuries. Be extra cautious when it is loaded on or unloaded from a vehicle or trailer.

- Use an approved trailer to transport the machine. Activate the parking brake and secure the machine using approved fasteners, such as straps, chains or ropes when transporting.
- Check and comply with laws and regulations when driving on public roads, a traffic kit is available as an option. This can be retrofitted on PT 26D.



Front securing eyelets

Environment protection

Take care of the environment, there are numerous environmental risks especially when performing maintenance on the machine. This particularly applies when dealing with engine oil, hydraulic oil, fuel, oil filters, hydraulic filters and fuel filters. You must be attentive to ensure spillage does not occur when you open a system that contains oil or fuel.

- Always wipe up spillage. When using cloths, sawdust or oil absorbents, these should be treated as environmental hazardous waste. Follow local regulations.
- Choose an area, preferably with a concrete floor, when you handle or store oils and fuel so that you can clear up any spillage without it penetrating into the ground.
- Avoid spillage, use a funnel and fill carefully.
- When draining, ensure that a suitably sized container is placed correctly. Remember that the oil does not always run straight down.
- Transfer the waste oil into a sealed container and hand in for destruction. Remember to follow local regulations. Generally you can deposit waste oil at workshops or petrol stations that handle waste oil.

- Replaced oil and fuel filters are environmental hazardous waste, handle them as waste oil.
- Do not spill fuel when refuelling. One litre of diesel fuel can, according to the Swedish Rescue Services Agency, destroy up to one million litres of drinking water. Spilt fuel is a fire risk.
- Wash your hands thoroughly when the job is done.
- Coolant is poisonous and sweet. Ensure that animals do not come into contact with open containers or pools of fluid.
- Bear in mind the risk of grass fire when working in dry vegetation. Never operate a machine with a modified or damaged muffler, as sparks from the exhaust fumes can set dry grass on fire.

User responsibility

- Study and follow the safety instructions, see “Safety Instructions” on page 11.
- Follow the maintenance schedule for care, see “Maintenance Schedule” on page 71, lubrication chart, see “Lubrication Schedule” on page 111 and the instructions for operating the machine, see “Presentation” on page 29 and “Driving” on page 57.
- Follow the maintenance instructions, see “Maintenance” on page 71, lubrication, see “Lubrication” on page 111 and storage, see “Storage” on page 133.

Chapter 4: Presentation

Congratulations on your choice of an exceptionally high quality product. This operator's manual describes Husqvarna PT 26D.

It is fitted with a Perkins 3 cylinder diesel engine developing 26 horse power.

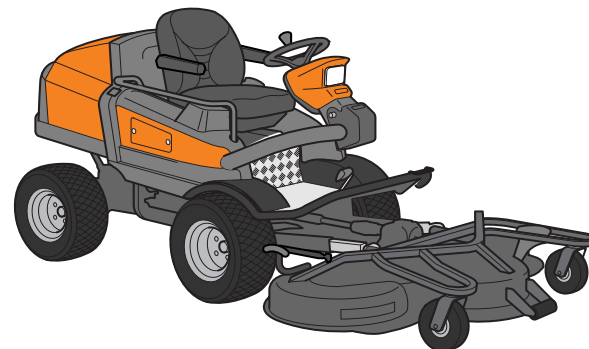
PT 26D is equipped with hydraulic steering and attachment lift. They are supplied with pressure from a pump on the engine.

The machine is all wheel drive in low speed mode.

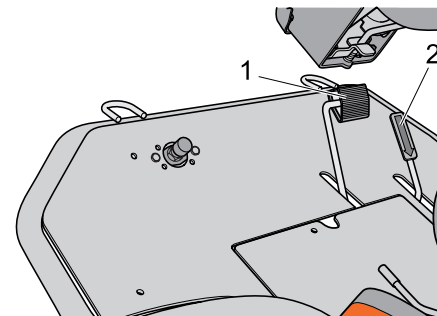
The power transmission from the engine is hydrostatic. It is supplied with pressure by a pump under the driver's seat. A shaft with two flexible couplings powers the pump. Flow and direction are regulated with the pedals, so that forward and reversing speeds are variably controlled. One pedal to drive forwards (1) and one pedal to reverse (2). The pump drives four hydraulic motors in parallel, one for each wheel.

The power transmission is also used as service brake.

There are low and high speeds for driving. High or low speed is selected using a switch.



PT 26D



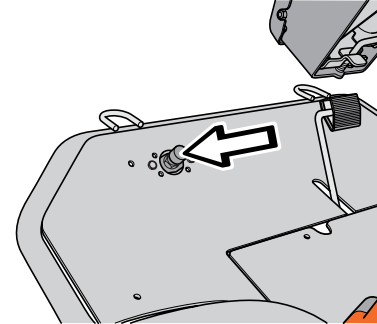
Speed control

The machine is equipped with an electro-hydraulic differential lock, which is controlled by a pedal. The differential lock only works longitudinally, which means that you can turn the machine with the differential lock activated.

The differential lock does not work in high speed.

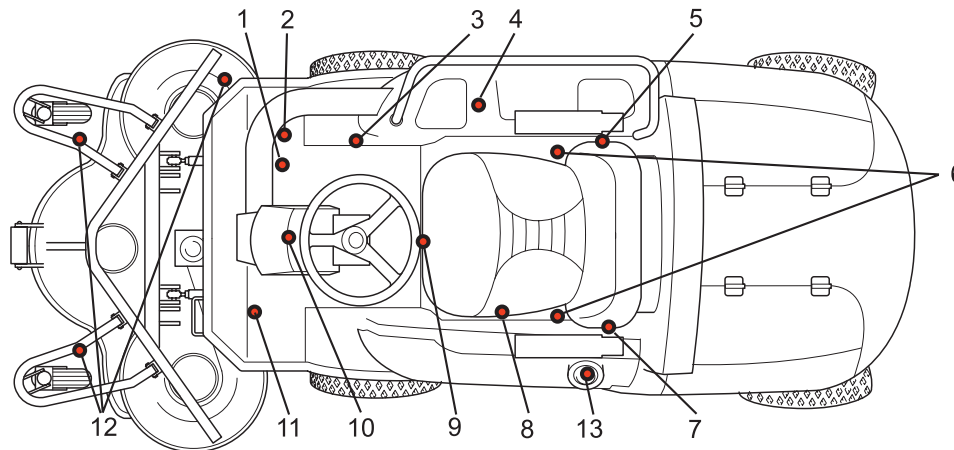
Rear light, horn, direction indicators and rotating warning lights are optional equipment (traffic kit).

The cutting unit takes power from the engine by means of an electromagnetic clutch, two V-belts, a power take-off shaft, a propeller shaft and a bevel gear.

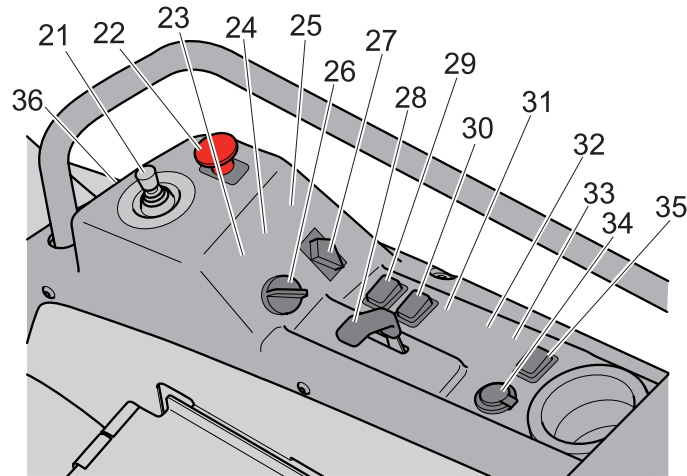


Differential lock pedal

Placement of controls

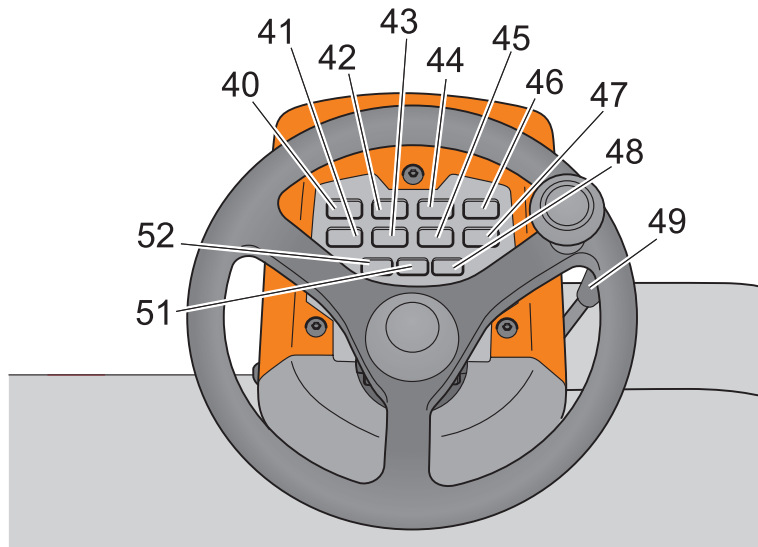


1. Speed control for driving forwards page 34
2. Speed control for reversing page 34
3. Parking brake page 35
4. Control panel page 32
5. Knob for the backrest rake page 36
6. Catch for seat folding page 35
7. Knob for the lumbar support page 37
8. Lever for lateral seat adjustment page 36
9. Knob for seat suspension page 36
10. Steering wheel console page 33
11. Pedal for differential lock page 38
12. Cranks for setting cutting height page 38
13. Fuel tank cover page 39



Control panel

- | | |
|--|---|
| 21. Control lever hydraulics page 40 | 30. Switch for weight transfer page 46 |
| 22. Switch for operating the cutting unit page 42 | 31. Rotating warning light (option) page 46 |
| 23. Switch for 2nd hydraulic function (option) page 42 | 32. Parking lights (option) page 47 |
| 24. Horn switch (option) page 43 | 33. Spare |
| 25. Turn signal lights switch (option) page 43 | 34. Power outlet page 47 |
| 26. Starter switch page 44 | 35. Mains switch power outlet page 47 |
| 27. Switch for the lights page 44 | 36. Chronometer page 48 |
| 28. Throttle control page 45 | |
| 29. Switch for high and low speed page 45 | |



Steering wheel console

- | | |
|---|--|
| 40. Warning lamp Battery charging page 48 | 47. Warning lamp High speed page 48 |
| 41. Warning lamp Differential lock page 48 | 48. Warning lamp Right-hand indicator page 48 |
| 42. Warning lamp Coolant temperature page 48 | 49. Lever for tilting the steering wheel console page 49 |
| 43. Warning lamp Glow plug heating page 48 | 50. Warning lamp Full beam page 48 |
| 44. Warning lamp Engine oil pressure page 48 | 51. Warning lamp Left-hand indicator page 48 |
| 45. Warning lamp Cutting unit operation page 48 | |
| 46. Warning lamp Parking brake page 48 | |

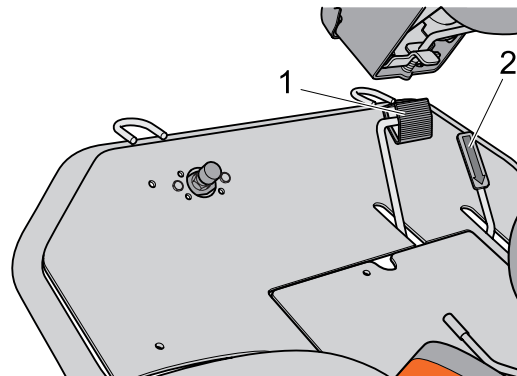
1-2. Speed control

The speed of the machine is variably controlled using two pedals. Pedal (1) is used to travel forwards and pedal (2) to reverse.



WARNING:

Make sure that no branches can interfere with the pedals when mowing under bushes.



Speed control

3. Parking brake

Apply the parking brake by moving the handle forward.

Release the parking brake by moving the handle back.

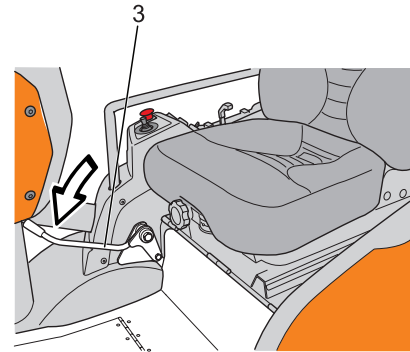
4. Control panel

There are controls and switches on the control panel on the right-hand side of the driver that are used when operating the machine. The lower section of the panel is equipped with a cover over the machine's fuses and relays. See "21-37. Controls on the control panel" on page 40.

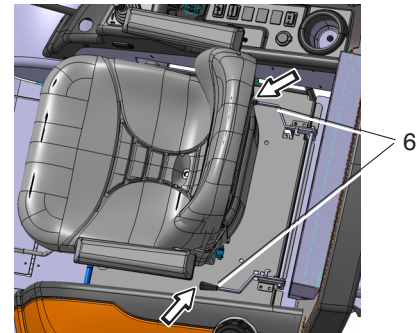
5-9. Seat

The seat has a hinged mounting on the front edge and can be folded forwards.

To fold the seat forward, the steering wheel console must be folded forwards and the lock (6) for the seat operated.



Parking brake

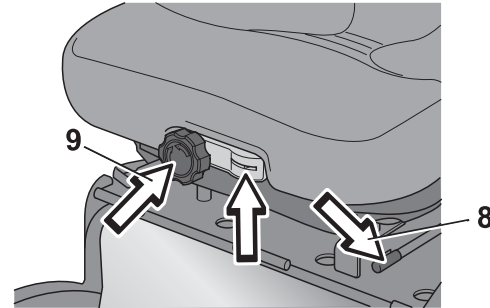


Seat lock



WARNING:

Do not adjust the seat whilst driving. Risk of unsafe operation.



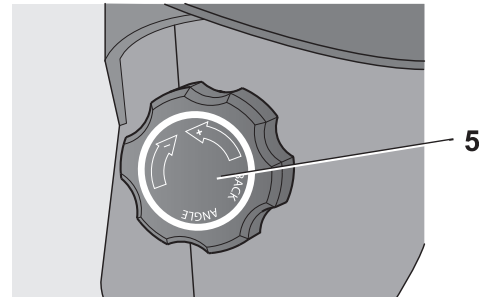
Lateral adjustment and adjusting suspension

The seat can also be adjusted lengthways:

- When making adjustments, the lever (8) under the left-hand side of the seat is moved to the left, after which the seat can be moved backwards or forwards to the desired position.
- The seat's suspension can be adjusted by turning the knob (9) under the front edge of the seat. A scale indicates the setting.

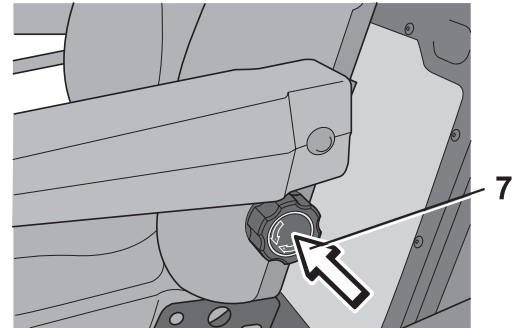
There are two knobs on the sides of the backrest:

- Backrest tilt is adjusted using the knob (5) on the right-hand side of the seat.



Adjusting the backrest tilt

- Lumbar support is adjusted using a knob (7) on the left-hand side of the backrest.



Knob for the lumbar support

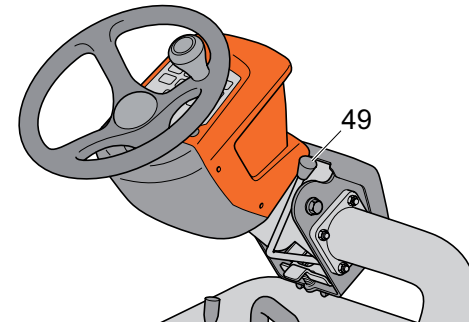
10. Steering wheel and steering wheel console

The position of the steering wheel can be adjusted vertically. The mounting for the steering unit in the steering column can be adjusted vertically.

Depress the lever (49) and fold the steering wheel console to one side to facilitate entering the driver's seat. The steering wheel console can be adjusted lengthways.

See "40-51. Warning lamps" on page 48.

The headlights are set using the knob in the position closest to the driver. In the second position the range of the lighting will decrease.



Steering wheel and steering wheel console

11. Differential Lock

The differential lock is electro-hydraulic. It is operated by a pedal controlled switch. The differential lock only works longitudinally, it ensures operation on at least one front wheel and one rear wheel. This means that you can turn the machine with engaged differential lock without causing any interruptions in the power transmission or damage to the lawn.

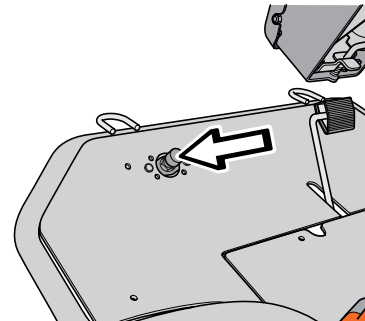
As the differential lock is not mechanical, it can be engaged or disengaged without limitation, even when the machine freewheels or in the event of wheel spin. When the pedal is released, the differential lock disengages without the driver having to carry out any other operations. The differential lock only works at low speed and is active both up and down slopes.

12. Adjusting the cutting height

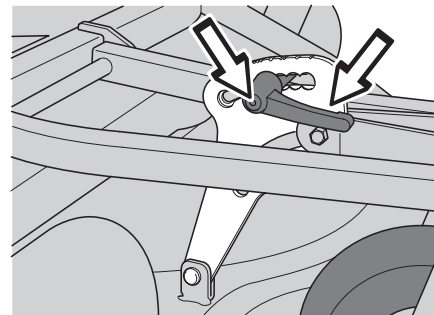
The cutting height adjustment allows the cutting height to be adjusted in seven different positions 25.4 mm - 127 mm (1" - 5").

In order to obtain an even cutting height, it is important that the settings are in the same positions and the air pressure is the same in the front wheels, 100 kPa / 1.0 bar / 14.5 PSI and in the cutting unit's pivot wheels 150 kPa / 1.5 bar / 21,7 PSI

When the adjustments have been made, the cranks should be released using the button in the crank and set to a position that does not catch on any bushes or similar.



Differential lock pedal



Front cutting height adjustment

13. Fuelling

The fuel level in the tank is indicated in the sight glass.

Do not fill the tank completely, leave an area of at least 2.5 cm (1").

Fill the fuel tank with diesel. Do not use petrol under any circumstances.

Use fuel with a cetane rating of above 45. Max RME mixture 5 % in mineral oil based fuels. Aviation kerosene (JP5, JP8 and Jet-A) can be used if lubricant additives are used, but the starting ability may be affected. JP4 is not recommended. Unmixed RME can be used.

Do not smoke when filling the tank with fuel.

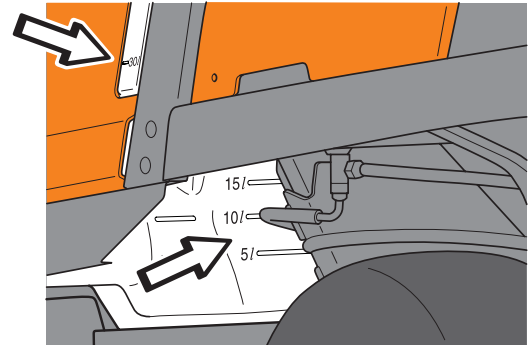
Diesel is less flammable than petrol at normal temperatures, but becomes very flammable if heated to the flash point. This varies depending on the type of diesel but is normally higher than +50 °C (120 °F).

Observe fuel hygiene. The diesel engine's fuel injection system is very sensitive and can be damaged by contaminants, which may be so small that they cannot be seen with the naked eye. Only use clean containers (closed + dust-free funnel). Wipe away any dust before removing the fuel tank filler cap. There is a filter to protect the fuel injection system, however if it becomes blocked operational malfunctions may occur. Rectifying damage, operational malfunctions, filter replacement caused by poor hygiene are not repairs that are covered under warranty

Remember the environmental risks. See "Environment protection" on page 26.

Wipe up any spillages. Material that has been contaminated by fuel must be moved to a safe place.

If you spill fuel on your clothes, change to prevent skin irritations.



Tank with level window

Winter fuel and paraffin precipitation

Malfunctioning can occur when driving in extremely cold conditions on account of paraffin precipitation, which can occur if using standard fuel. To avoid this, winter fuel, diesel with additives to prevent precipitation, is sold in relevant climates. In certain regions different types of summer and winter fuels are sold, in other regions. winter fuel is sold all year round. Ask you fuel supplier and only use winter fuel below 0 °C (+32 °F).

21-37. Controls on the control panel

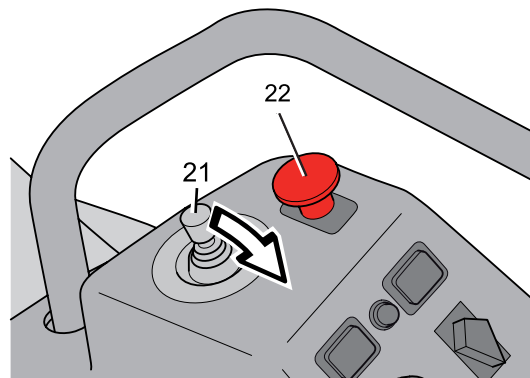
The control panel is prepared for optional extras, which are sold as accessories for PT 26D. Therefore, some of the following control units may not be included with your machine.

21. Control lever hydraulics

The lifting lever is used to put the cutting unit in either the transport or mowing position when hydraulic pressure is available.

Lifting the cutting unit (transport position)

Stop the blades by pressing in the switch for driving the cutting unit (22).



Raising the cutting unit with the lifting lever

Pull the lever backward to engage the transport position. The unit is then raised.

The cutting unit can be raised slightly with the blades in operation. This is to facilitate work when cutting in extremely tall grass or on uneven surfaces. The machine is, however, equipped with an automatic blade stop function, which is activated when the cutting unit reaches the transport position. If the automatic blade stop is activated, the switch (22) must be pressed in and pulled out to restart.

Lowering the unit (mowing position)

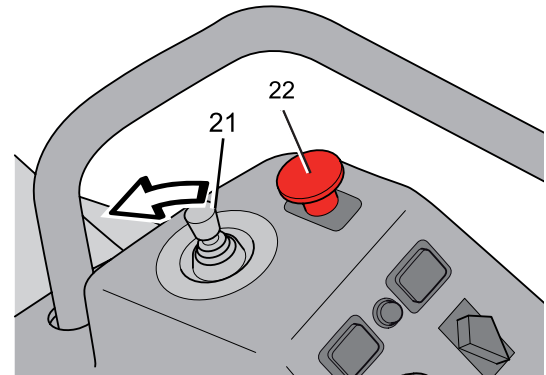
Move the lifting lever forwards to engage the cutting position. The unit is then lowered. The lever does not need to be held in position, allow it to spring back to the zero position when the unit has been lowered.

The blades are started with the switch for driving the cutting unit (22).

Weight transfer can be activated, which means the cutting unit follows the ground contour and unevenness on the lawn more precisely. See "Weight transfer" page 46

Other functions (option)

When the lever is moved laterally, the oil pressure is operated to the 2nd hydraulic function, the terminals are under the foot plate hatch.



Mowing Position

22. Switch for operation of cutting unit

The cutting unit can only be started when the driver is sitting in the seat.

- Pull out the switch to engage cutting unit operation.
- Press in the switch to disengage cutting unit operation.

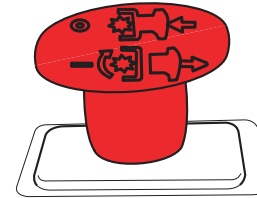
If the safety circuit trips cutting unit operation, the switch must be pressed in and pulled out again.

The safety circuit trips and the cutting unit stops:
When the cutting unit is raised to the uppermost position

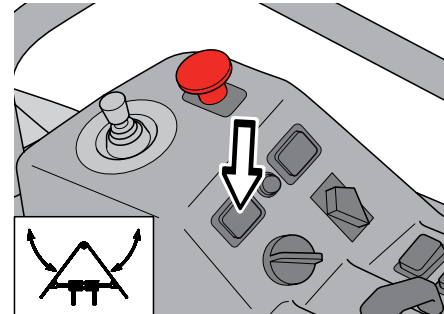
When the driver leaves the seat. There is a brief delay to prevent stoppages should the driver bounce in the seat
When high gear is engaged.
When the starter is activated.

23. Switch for extra hydraulic function (hydraulic kit option)

The switch is used, among others, when steering the folding plough for individual control of the left or right-hand plough-blades. Operate the plough blade using the lever (21).

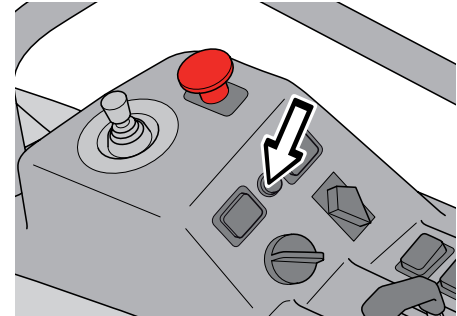


Switch for operation of cutting unit



Switch for extra 12 V outlet

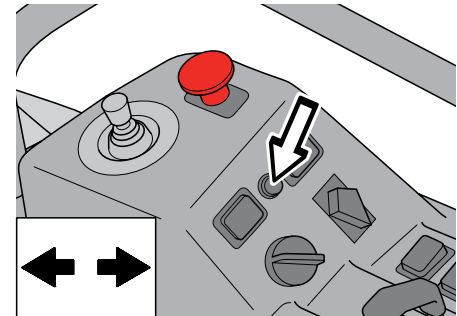
24. Push button for horn (traffic kit option)



Switch for horn

25. Indicators (traffic kit option)

Press for the left-hand or right-hand indicator. Blinkers are switched off automatically after approximately 30 seconds or manually by pressing in the same direction. A new 30 second period is activated if you press after the blinkers have been switched off. Pressing in the opposite direction while flashing, activates the blinkers for the opposite side for 30 seconds.

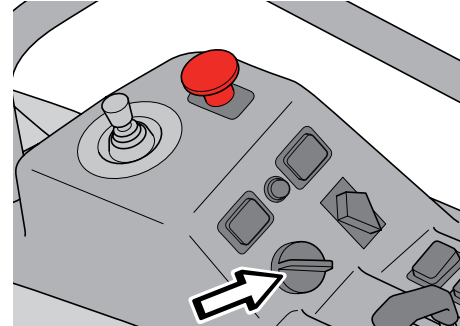


Switch for indicators

26. Starter switch

Three positions:

- OFF
All functions switched off. The engine is stopped. The parking light can be switched on (traffic kit option).
- ON
Normal operating position.
- Start and Preheating
Keep the switch in the glow plug mode, when glow plug heating is complete the starter is engaged. During glow plug heating, light (43) on the indicator panel comes on. Non-locking to position ON. Turning again within 2 seconds gives starting without glow plug heating.



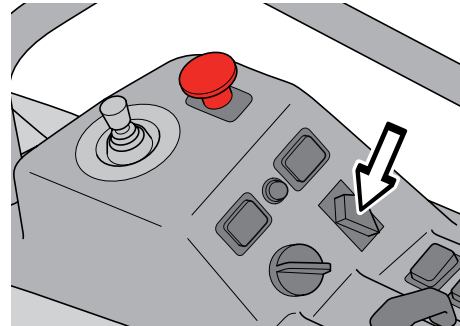
Starter switch

27. Headlight

Three positions, clockwise in the following order:

- Off:
- Dipped beam
- Full beam

If the switch is moved to the Dipped beam position automatic dipped beam mode, dipped beam is switched on when the engine is running.

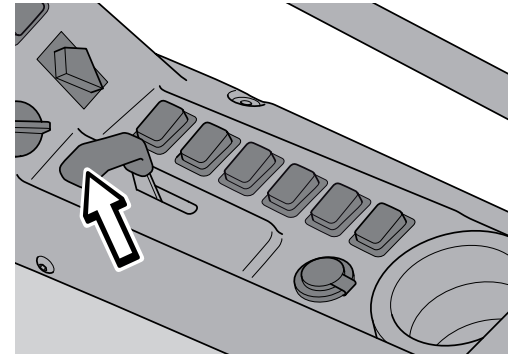


Switch for headlight

28. Throttle control

The accelerator is used to control the speed of the engine and thereby also the rotation speed of the blades.

In order to increase or decrease the engine speed, the control is moved forwards or backwards respectively.



Throttle control

29. High speed

Activated switch. This switch is used to select either high or low speed.

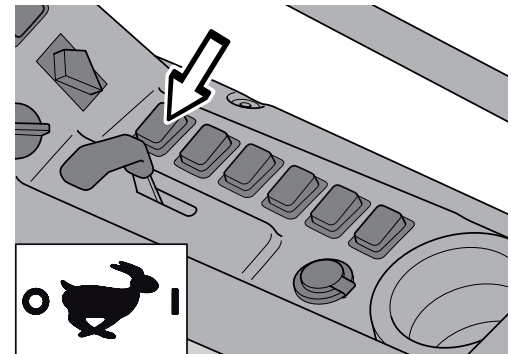
The speed must drop to zero before the machine shifts to low speed if high speed is actuated.

If the differential lock is actuated, the machine will not shift to high speed until the pedal is released.

Front wheel drive is engaged in high speed mode.

All wheel drive is engaged in low speed mode.

The differential lock and cutting unit only work in low speed mode.



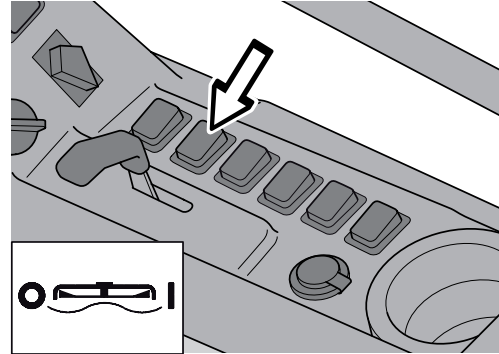
High speed

30. Weight transfer

Weight transfer is activated using this switch, transfers a proportion of the unit's weight to the machine. This causes greater ground pressure on the machine's front wheels and lower ground pressure on the unit's pivot wheels.

It is recommended to use weight transfer when lawn mowing and sweeping. When snow clearing or changing tools, the function should be off so that the lifting arms can be lowered.

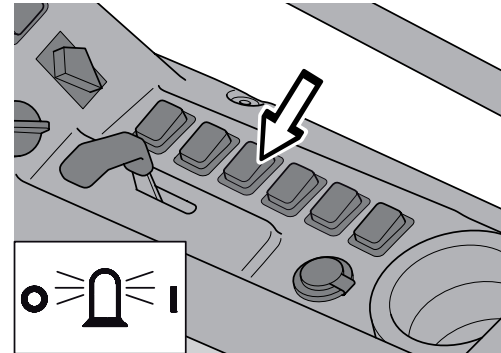
This function works when the lower position is selected with control lever (21).



Weight transfer

31. Rotating warning light (traffic kit option)

Observe any local traffic laws when using the warning light.



Rotating warning light

32. Parking lights (traffic kit option)

Can be lit using the switch even if the ignition switch is not switched on. The battery will be completely drained in approximately 20 hours.

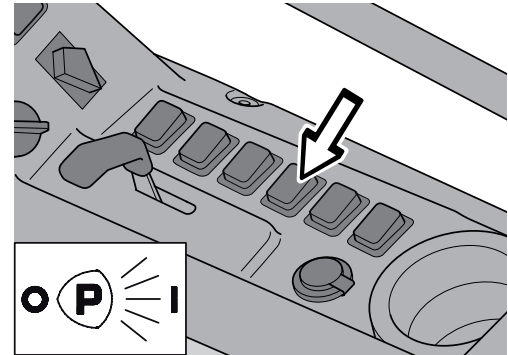
The parking light is lit automatically when the engine is running, even if the switch is not switched on.

33. Spare

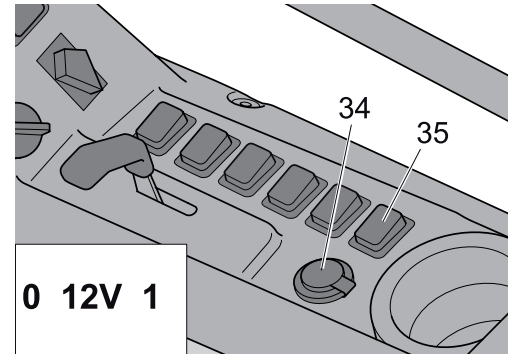
34-35. Power outlet

A seat heater or mobile phone charger are examples of articles that can be connected to the power socket (34). The power outlet is switched on and off using power switch (35) on the control panel.

The electrical outlet socket is fuse protected by its own fuse FU11 (max. 10 A), which is located behind a cover on the outside of the control panel.



Parking lights



Power outlet with switch

36. Chronometer

The chronometer shows how many hours the engine has been running. Any time when the engine is not running but the ignition is switched on is not registered. The last digit shows tenths of an hour (6 minutes).

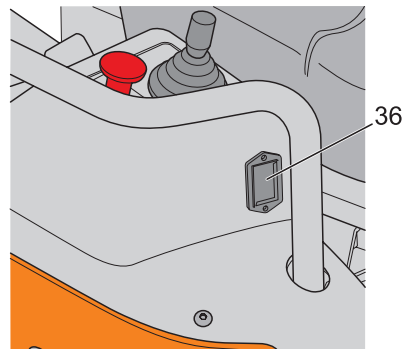
40-51. Warning lamps

On the steering wheel console under the steering wheel there are warning lamps for battery charging (40), differential lock (41), coolant temperature (42), glow plug heating (43), oil pressure (44), cutting unit operation (45), parking brake (46), high speed (47), full beam (50) and indicators (48, 51).

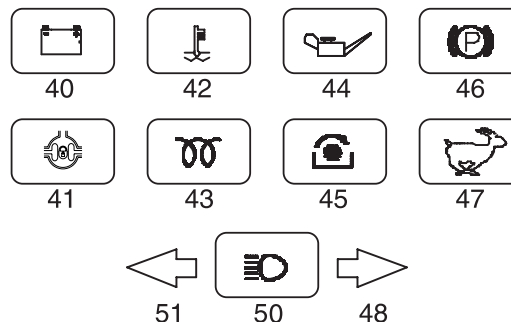
During start-up all lights come on for function checks. The most important lights are coolant temperature and oil pressure. The engine stops automatically if any of these light up.

The lamp for the coolant temperature flashes at approximately 100°C and lights constantly at approximately 110°C when the engine stops. Reduce the load to lower the temperature if the lamp flashes.

The warning lamps are LEDs, which cannot be replaced separately. The entire indication panel must be replaced in the event of a fault.



Chronometer



Warning lamps

49. Lever for steering wheel console angle

When the lever is activated, the angle of the steering wheel console can be adjusted for a more comfortable driving position or to facilitate entering the driver's seat. The lever is sprung.

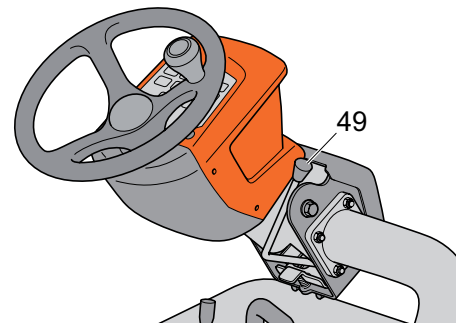


WARNING:

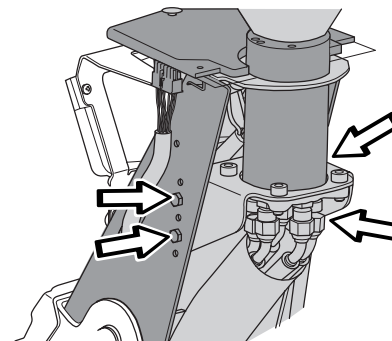
Do not adjust the steering wheel angle or whilst driving. Risk of unsafe operation.

Adjusting the steering wheel setting

The mounting for the steering unit in the steering column can be adjusted vertically. Undo the screws that hold the casing and remove the screws, on both sides of the column, that hold the mounting in the column. Adjust the mounting to the correct height, screw the mounting into place in the column and fit the casing.



Adjusting the steering wheel console angle and steering wheel

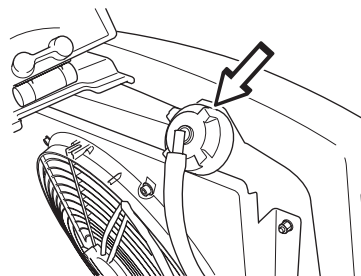


Adjusting the steering column vertically.

Cooling system

IMPORTANT INFORMATION:

Coolant must be a mixture of 50 % antifreeze fluid and 50 % soft water. Anticorrosion agent in the coolant will be diluted if a reduced mixture is used. A higher mixture can negatively influence the cooling capacity. Salt water or water with a high lime content can cause corrosion or deposits in the cooling system.



Coolant filling

The engine is water cooled. In the event of a high engine coolant temperature being indicated, check the coolant level first.

Also check that the radiator grille behind the driver's seat is not clogged. See “Checking radiator grilles” on page 79.

The correct engine coolant level is important for the cooling system to function properly. Therefore, the engine coolant level should be checked regularly. See warnings on the next page. The coolant must be visible when the filler cap is removed.

Continuous coolant losses mean that there is a leak. In such a case, the cooling system should be checked by a qualified technician. It is not sufficient to only top up the coolant. If the engine overheats, the coolant drops. Allow the engine to cool before filling.

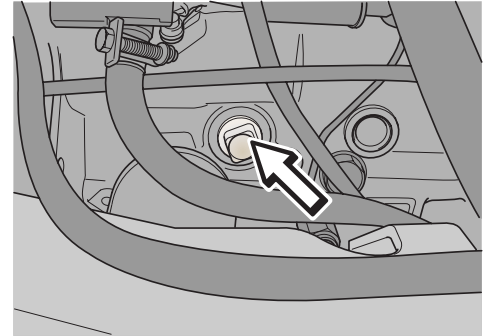
The cooling system must not be filled with salt water, this causes corrosion damage to the engine.

Change the coolant if it is discoloured or dirty. The cooling system must then be thoroughly flushed.



WARNING:

Do not open the cap quickly when the engine is hot, first release the overpressure with the cap partially slackened off. Risk of burns. Use protective gloves and protective goggles.

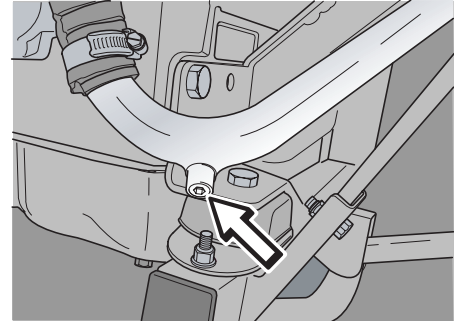


Coolant draining engine block



WARNING:

The antifreeze fluid and coolant are hazardous to health. Store them in marked containers that are inaccessible to children and animals.



Coolant draining lower hose

When draining the cooling system, both the taps must be opened.

IMPORTANT INFORMATION:

Never fill a hot engine with cold coolant. Risk of extensive engine damage.

Only fill antifreeze and water ready mixed in a 50/50 ratio.

Check the level when the engine has been driven for a few minutes after filling. There could have been air in the system which has now been released.

Antifreeze

Only use a glycol based antifreeze that is approved by the applicable norms BS 6580:1992 or ASTM D 3306-89 or AS 2108-1977 (indicated on the packaging).

The antifreeze agent must be intended for use with light alloy engines.

Your Husqvarna supplier can provide the correct type of antifreeze agent.

IMPORTANT INFORMATION:

If you use the incorrect type or mix different types of antifreeze agents, a chemical reaction may occur, which causes overheating and severe engine damage. These are not covered by the warranty.

Use antifreeze agent all year round and even in climates that do not have a risk of frost. The antifreeze agent contains additives that protect the engine cooling system against corrosion.

Glycol	Water	Freezing point
60 %	40 %	- 47 °C
50 %	50 %	- 37 °C
40 %	60 %	- 25 °C

Mixing table

Cutting unit

PT 26D can be equipped with cutting unit, Combi 132 with a 132 cm cutting width or Combi 155 with a 155 cm cutting width.

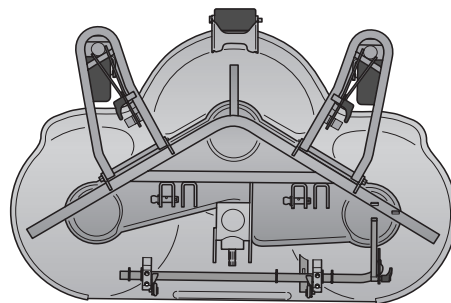
The cutting unit is driven by a v-belt, a power take-off shaft and a propeller shaft from the engine. It is engaged by an electro magnetic clutch, which is located in front of the engine's flywheel.

The Combi unit functions as a BioClip unit when a BioClip plug is fitted under the unit cover, but can be set to rear ejection by removing the BioClip plug.

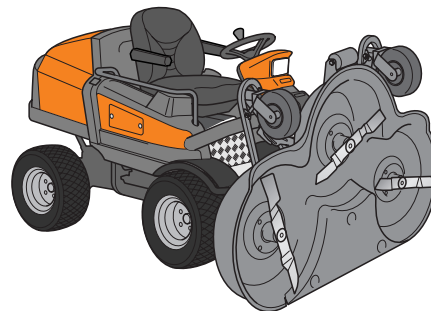
The unit's BioClip function finely chops the grass several times before returning it to the lawn as fertiliser. The rear ejector ejects the clippings behind the unit without finely chopping them.

Cutting unit Combi 155 can be mounted 8 cm (3 1/8") laterally to the side in relation to the machine.

If necessary, the cutting unit can be turned to the service position to be able to clean the underneath of the cover for example.



Cutting unit Combi 155



Service position

Accessories

The accessories are described in separate operator's manuals. Contact your dealer if you require an accessory.

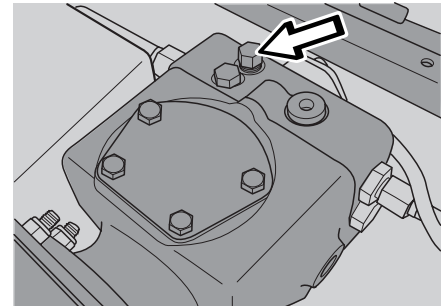
Examples of original accessories available for Husqvarna PT 26D:

- Traffic kit: Lighting with direction indicators, parking light and rotating warning lamp
- Accessory hydraulic kit; Hydraulic valves, quick couplings, hydraulic hoses, switch and cable harness
- Brush
- V blade
- ROPS
- Bucket with hydraulic emptying
- Catalytic converter.

Towing

Towing must be avoided. Only damaged machines that cannot be driven may be towed in the event of being recovered or loaded onto vehicles.

The bypass valve must be loosened by 2-4 turns when towing. Lift the driver's seat and unscrew the bypass valve. Remember to retighten the valve.



Unscrew the bypass valve when towing

Chapter 5: Driving

Mowing Tips

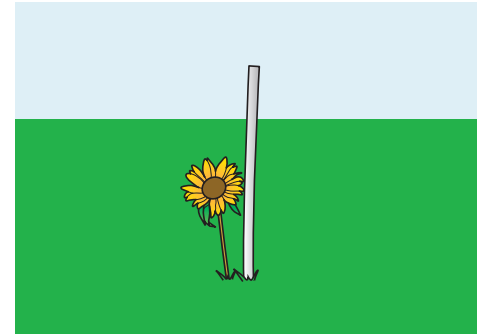


WARNING:

Use ear protection.

Clear the lawn of stones and other objects that can be thrown out by the blades.

- Locate and mark plants, rocks and other fixed objects in order to avoid collisions.
- Begin with a high cutting height and reduce it until the desired mowing result is attained.
- The mowing result will be best with a high engine speed (the blades rotate rapidly) and low speed (the machine moves slowly). If the grass is not too high and thick, the driving speed can be increased without noticeably depreciating the mowing result.



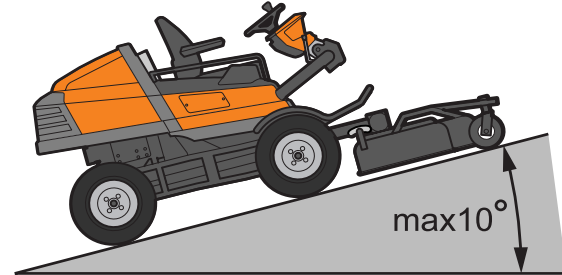
Mark objects if necessary



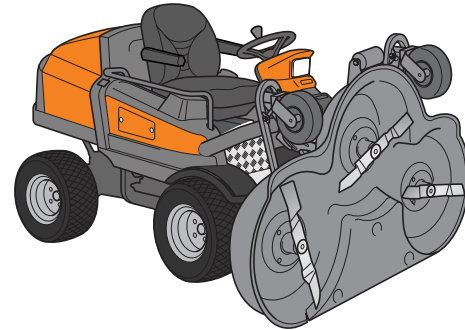
WARNING:

Never drive the machine on terrain that slopes more than 10°. Mow upwards and downward on slopes, never sideways. Avoid sudden directional changes.

- The finest lawns are obtained by mowing often. Mowing will be more even and the clippings will be more evenly distributed across the area. Mowing time will not be longer as higher driving speeds can be selected without impairing the mowing result.
- Avoid cutting wet grass. The mowing result is often worse as the grass clippings lump together more easily and the ground is more easily damaged.
- Clean the underneath of the cutting unit after use. When cleaning, the cutting unit should be moved into the service position. If water is used, lower the cutting unit and let the blades rotate a few minutes to drive any water out of the bearings and belts.



Max 10° in all directions



Service position

- It is important to mow frequently when mowing with the mulching function.
- Use the differential lock if there is a risk of wheel spin. The differential lock can be engaged during operation and turns can be made with it engaged.

Before Starting

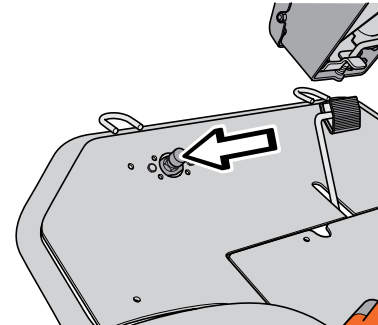
IMPORTANT INFORMATION:

The air intake grille behind the driver's seat must not be blocked by, for example, clothing, leaves, grass or dirt. Impaired cooling of the engine. Risk of major engine damage.

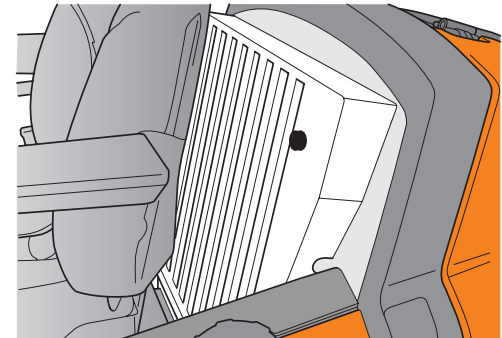
IMPORTANT INFORMATION:

Start gas or ether must not be used for this engine.

- Read section "Safety Instructions" on page 11 and "Presentation" on page 29.

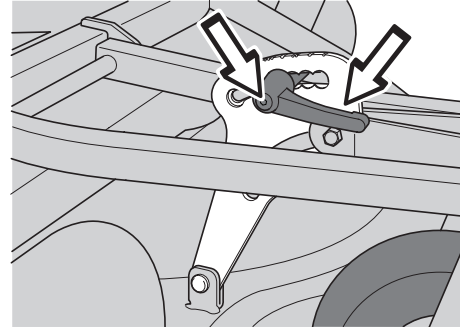


Differential lock pedal

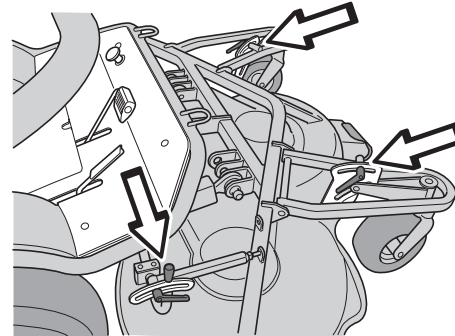


Air intake

- Carry out daily maintenance according to “Maintenance Schedule” on page 71.
- Adjust the seat to the desired position. See “5-9. Seat” on page 35.
- Adjust the steering wheel and steering wheel console to the desired position.
- See “10. Steering wheel and steering wheel console” on page 37.
- Select the required cutting height (1-7) using the cutting height settings. Move the knob to the horizontal position so that it does not catch on bushes or similar.



Cutting height setting



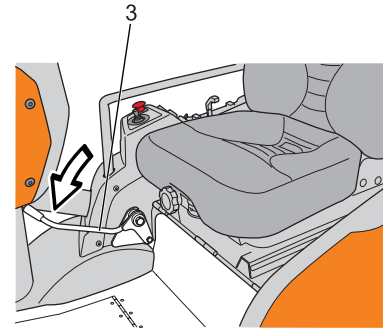
Cutting height settings

Starting the engine

1. Apply the parking brake by moving the handle forward.

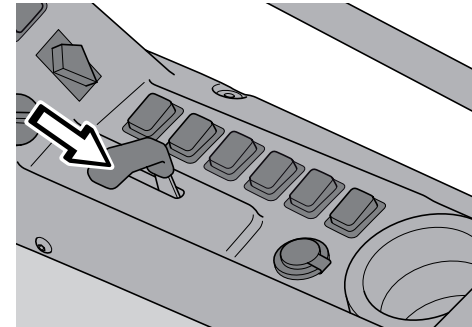
The engine cannot be started if the parking brake is applied or if a driving pedal is pressed.

Check that the switch for the cutting unit drive is depressed. If the engine starts with the switch pulled out, it must be pushed in and pulled out again in order for the cutting unit to work.



Apply the parking brake.

2. Move the speed control to the max speed position so the injection pump is set to full feed mode.



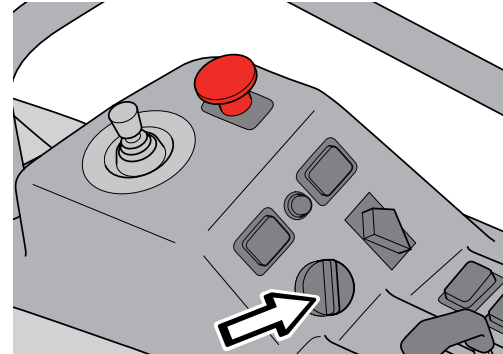
Engine speed control in max. speed position

3. Turn the ignition key to the glow plug heating position and keep it there until the warning light on the steering wheel console goes out and the starter motor engages. Glow plug heating is dependent on the engine temperature. If you require an extend glow plug heating period, you must wait in the OFF or ON position for 4 seconds. If the glow plug heating lamp does not come on and the starter is not engaged, check that the parking brake is engaged and that the drive pedals are not actuated. Starting without glow plug heating (warm engine) is possible if you turn the ignition key to glow plug mode, back to ON and to glow plug heating again within 2 seconds.

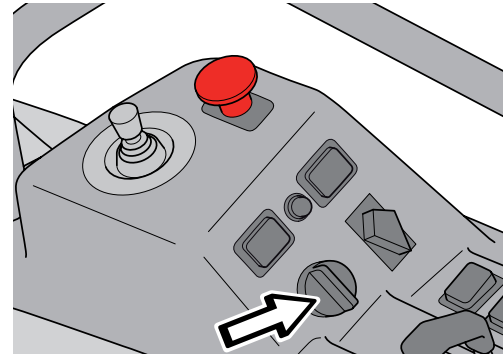
IMPORTANT INFORMATION:

Do not run the starter motor for more than 15 seconds at a time. If the engine does not start, wait about 30 seconds before trying again.

4. When the engine starts, immediately release the ignition key back to the intermediate position.



Ignition key, glow plug heating and start position



Starter key, intermediate position (ON)



WARNING:

Never run the engine indoors, in enclosed or badly ventilated areas. Engine exhaust fumes contain poisonous carbon monoxide and carcinogenic substances.

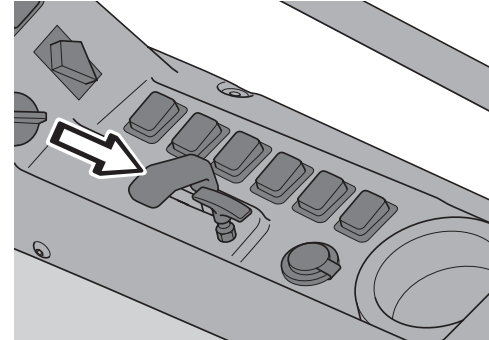
5. Set the desired engine speed (even idle) using the throttle control.

Allow the engine to run at a moderate speed, for 3-5 minutes before loading it heavily.

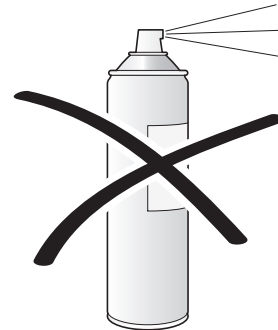
Starting in cold conditions

If the engine does not start due to cold conditions, repeat glow plug heating and try starting again.

Start gas or ether must not be used.



Engine speed control in idling mode



Start gas or ether must not be used

Starting with a weak battery



WARNING:

Lead-acid batteries produce explosive gases. Avoid sparks, open flames and smoking close to batteries. Always wear protective glasses in the vicinity of batteries.

If the battery is too weak to start the engine, it should be recharged.

If jump leads are used for emergency starting, follow the procedure below:

IMPORTANT INFORMATION:

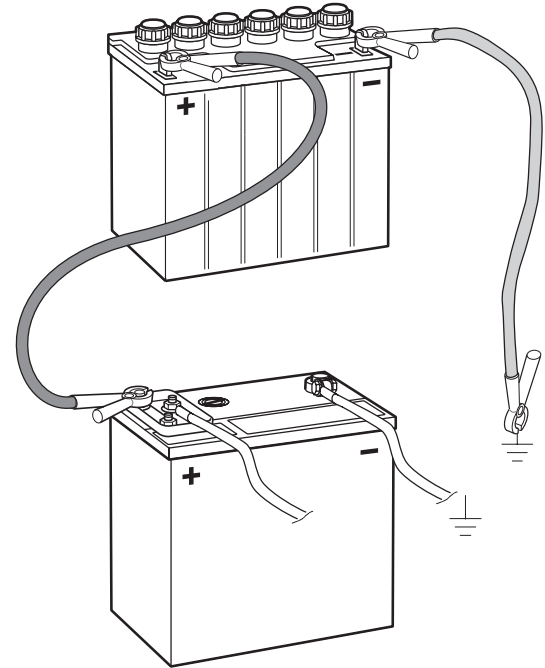
Your Rider is equipped with a 12-volt system with negative earth. The other vehicle must also have a 12-volt system with negative earth. Do not use your lawn mower battery to start other vehicles.

Connecting jump leads:

- Connect each end of the RED lead to the POSITIVE terminal (+) on each battery, and take care not to short-circuit an end against the chassis.
- Connect one end of the BLACK lead to the NEGATIVE terminal (-) on the battery that is fully charged.
- Connect the other end of the BLACK lead to a good CHASSIS EARTH, away from the fuel tank and battery.

Remove the leads in reverse order:

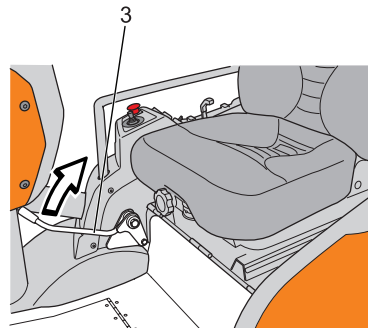
- The BLACK cable is removed from the chassis and then the fully charged battery.
- Finally the RED cable from both batteries.



Jump starting

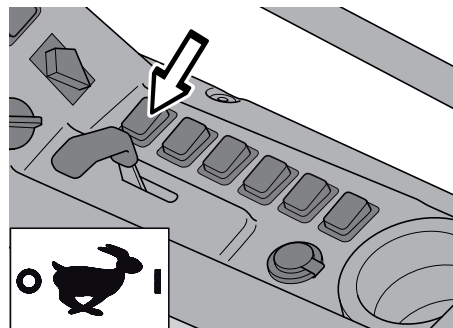
Driving the machine

1. Release the parking brake by pulling the handle up.



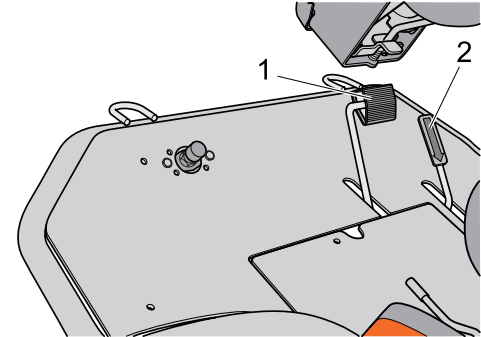
Parking brake

2. Select high or low speed with the switch on the control panel.



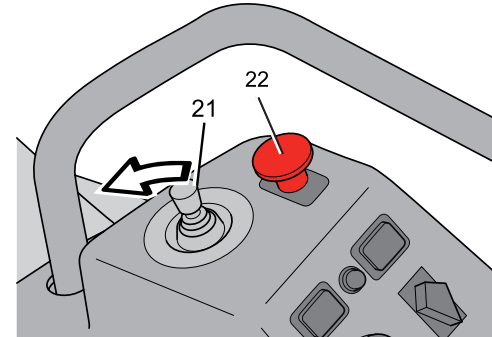
Speed selector

- Carefully press down one of the pedals until the required speed is attained.
Pedal (1) is pressed down to travel forwards and pedal (2) to reverse.



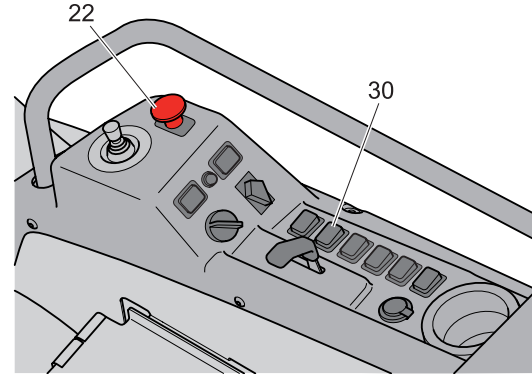
Driving pedals

- Lower the cutting unit to the ground using the lifting lever. Move the lifting lever forwards.



Lifting lever lowering position

5. Activate weight transfer if desired using the switch (30) on the control panel. The weight transfer position must always be activated when driving up slopes and deactivated when driving down slopes.
6. Start the cutting unit as necessary using the switch for power take-off (22) on the control panel. The cutting unit can only be started in low speed. If the switch has already been pulled out and the unit does not start, press it in and pull it out again (See safety circuit on page 42).



Switch for power take-off and weight transfer

Braking

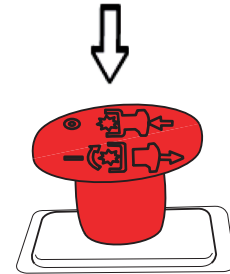
Release the drive pedals. The machine slows and is stopped by the drive system. Do not use the parking brake as the drive brake.

Quicker braking is possible if you press down the drive pedal for the opposite direction.

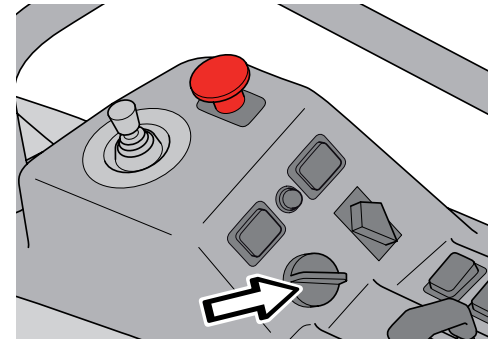
Cutting the engine

If the engine has been worked hard, it is preferable to let the engine idle for a minute so it is running at its normal working temperature when it is stopped.

1. Switch off the cutting unit if it is running.
2. Lift the cutting unit using the lifting lever.
3. Move the throttle control to the “MIN” position. Turn the ignition key to “OFF”.



Switch off the cutting unit



Stop position

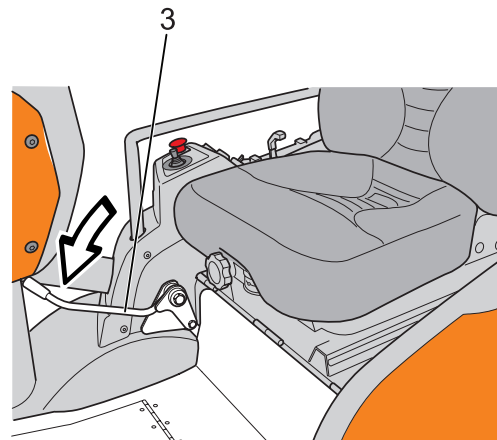
4. Apply the parking brake, when the machine is stationary, by first pulling up the lock handle (36) on the control panel and then press down the parking brake pedal (3).

Bleeding in the event of fuel stoppage.

See the chapter, Maintenance “Bleeding the fuel system” on page 86.

Engine stop

If the engine stops, it is still possible to steer, but the wheel is heavy to turn. As the transmission is hydrostatic the machine stops immediately.



Parking brake

Chapter 6: Maintenance

It is good practice to always check for leaks and loose components after use. Also check the machine and listen for knocking sounds. During hard use and in extreme conditions, the service intervals should be reduced.

Check the cooling system's antifreeze before the Winter.

Maintenance Schedule

The following is a list of maintenance procedures that must be performed on the machine. Paragraphs that are marked with footnote number 4, see an authorised service workshop.

● = Described in this manual ○ = Not described in this manual.									
Maintenance	Page	Daily main-tenance		Weekly main-tenance	Maintenance interval hours				
		befor	after		250	500	1000	2000	3000
Check for fuel and oil leaks	-	○							
Check the safety switch, seat	92	●							
Check the safety switch pedal system, neutral position	92	●							
Check the engine oil level (at every refuelling)	117	●		●					
Check the hydraulic oil level	122	●		●					

● = Described in this manual ○ = Not described in this manual.									
Maintenance	Page	Daily maintenance		Weekly maintenance	Maintenance interval hours				
		before	after		250	500	1000	2000	3000
Check the coolant level	50	●		●					
Check/clean the engine's cooling air intake, radiator mesh and radiator	79		●	●	●				
Check fastenings (screws, nuts, etc.)	-		○						
Start the engine and blades, listen for unusual sounds	-		○						
Clean under the cutting unit and belt covers	101		●	●	●				
Check for damage	-			○					
Check the air pressure in the tyres (100 kPa)	88			●					
Clean thoroughly around the engine	-			○					
Clean thoroughly around the transmission	-			○					

● = Described in this manual ○ = Not described in this manual.									
Maintenance	Page	Daily maintenance		Weekly maintenance	Maintenance interval hours				
		before	after		250	500	1000	2000	3000
Lubricate according to lubrication chart ³	111			●	●				
Clean the air filter and empty the particle trap	84			●		●			
Check the blades	104			●					
Change the engine oil and filter ¹	118				●				
Replace hydraulic oil filter and check the oil level ^{4, 5}	122				●				
Check the tension and condition of the belts (generator belt, power take-off belt, cutting unit belt)	80 105 107				●				
Check the condition of the battery, clean if necessary	89				●				
Check the oil level in the bevel gear, top up if necessary	114				●				

● = Described in this manual ○ = Not described in this manual.									
Maintenance	Page	Daily main-tenance		Weekly main-tenance	Maintenance interval hours				
		befor	after		250	500	1000	2000	3000
Check the wheel nuts	-				○				
Check the parking brake, adjust if necessary ⁵	83				●				
Check the safety function	92				●				
Check/adjust the cutting unit settings. (tilt angle) ⁵	99				●				
Replace the air filter and clean the cyclone filter	84					●			
Replace the belts (power take-off belt and cutting unit belt) Adjust the power take-off belts ⁵	-					●			
Check the condition of the hydraulic hoses ⁵	-					○			
Replace fuel filter and check hoses ⁴	-					○			

● = Described in this manual ○ = Not described in this manual.									
Maintenance	Page	Daily main-tenance		Weekly main-tenance	Maintenance interval hours				
		before	after		250	500	1000	2000	3000
Adjust the valves and check the engine speed ⁴	-						○		
Replace the pump and generator belt	81						●		
Change the hydraulic oil and filter ⁴	-						○		
Change the oil in the bevel gear	114					●			
Change the coolant ⁴	50						●		
Check all hoses with connections to the engine and the engine's mountings ⁵	-							○	
Replace the diaphragm for the closed crankcase ventilation ⁴	-							○	
Check cables and terminals in the electrical system ⁴	-								○

● = Described in this manual ○ = Not described in this manual.									
Maintenance	Page	Daily main-tenance		Weekly main-tenance	Maintenance interval hours				
		befor	after		250	500	1000	2000	3000
Check generator and starter motor ⁴	-								○
Pressure test the fuel injection nozzles ⁴	-								○
Check the coolant pump ⁴	-								○

1. First change after 25 hours. When operating with a heavy load or at high ambient temperatures, replace the engine oil every 125 hours.
2. Maintenance and replacement are required more often in dusty conditions.
3. With daily use, the machine shall be lubricated twice weekly.
4. Performed by authorised service workshop.
5. After the first 25 hours.



WARNING:

No service operations may be performed on the engine or cutting unit unless:

- The engine is stopped.
- The parking brake is on.
- The ignition key has been removed.

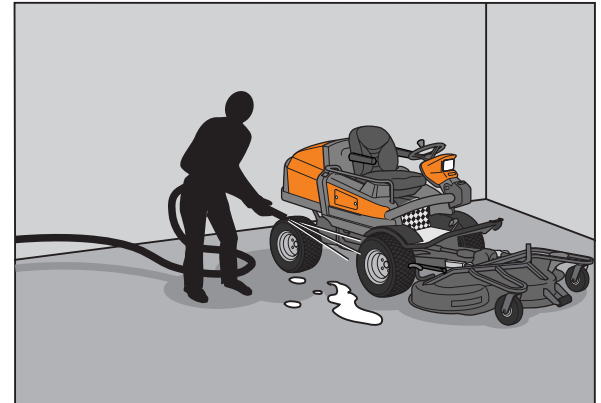
Cleaning

Clean the machine directly after use. It is much easier to wash off grass cuttings before they dry.

Oily dirt can be removed using a cold degreasing agent. Spray a thin layer and wait a few minutes.

Rinse at normal water pressure. Do not direct the jet towards electrical components or bearings.

Do not rinse hot surfaces, for example, the engine and exhaust system.



Clean the machine immediately after use

IMPORTANT INFORMATION:

**Avoid using a high pressure washer or a steam cleaner.
Lubricate the machine if necessary after cleaning.**

Carry out extra lubrication when the bearings have been exposed to a degreaser or a water jet. There is a major risk of water penetrating into bearings and electrical connections. Corrosion attack, which will lead to running problems. Cleaning additives generally aggravate the damage.

Check and clean if dirt collects in the area for the circuit card and on the circuit card. Clean using a dry method, i.e. with a vacuum cleaner or compressed air.

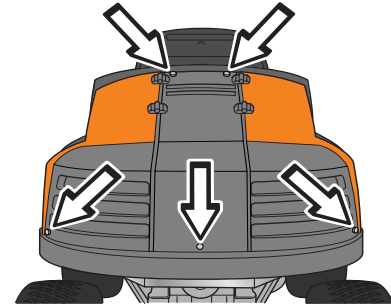
Do not blow directly on the circuit card. Do not rinse with water. There is a risk of damaging the circuit card.

Removing the machine's covers

Engine cover

1. Open the engine covers on both sides.
2. Remove the screws holding the engine cover.
3. Lift off the engine cover.

Assemble in the reverse order.



Engine cover's mounting screws

Checking radiator grilles

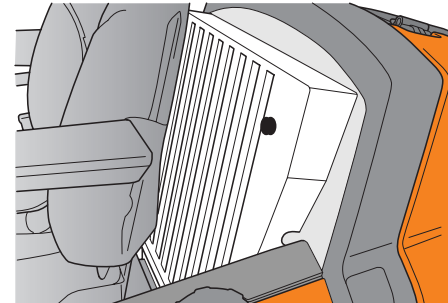
Clean the radiator grille behind the driver's seat:

Fold the driver's seat up.

Check that the radiator grille is free of leaves, grass, and dirt.

A clogged radiator grille impairs the cooling of the engine, which may result in engine damage.

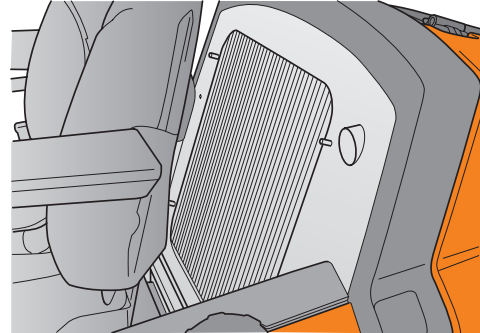
If necessary, remove the radiator grille and clean it. Check when the grille has been removed whether the heat exchanger is dirty. Clean if necessary. See "Cleaning the radiator's heat exchanger" on page 80.



Radiator grilles

Cleaning the radiator's heat exchanger

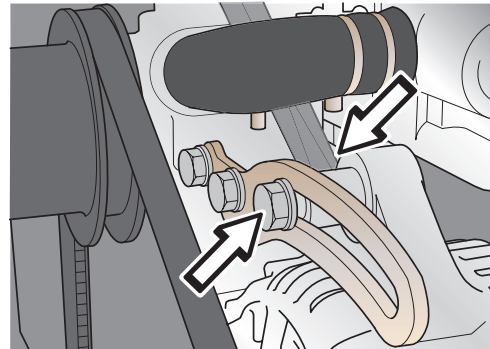
Remove the radiator grille. If the dirt is mixed with oil, first spray cold degreasing agent and wait approximately 5 minutes. Then flush the radiator with water jets from the engine compartment. Dirt mixed with oil, can be due to a leaking hydraulic oil cooler. Contact an authorised service workshop for repair.



The radiator's heat exchanger

Adjusting the pump and generator drive belts

1. Slacken off the adjustment screw 1/2 turn.
2. Pry out the generator using a screwdriver or similar until the belt can be pressed in approximately 1 cm (3/8") with moderate thumb pressure between the pump and generator. Slacken off, if necessary, the generator's lower mounting screw if the belt cannot be tensioned. Caution: Do not pry against the generator housing, pry against the bearing shield, see image.
3. Tighten the adjustment screw.
4. Check tighten the generator's mounting screw.



Adjusting the generator drive belt

Replacing the pump and generator drive belts

1. Release the belt tension for the pump and generator drive belts completely and pry off the belts. If necessary, slacken off the generator's lower mounting screw slightly if the generator is securely fastened.
2. Install a new belt.
3. Adjust the pump and generator belts as above.

Checking and adjusting the throttle control

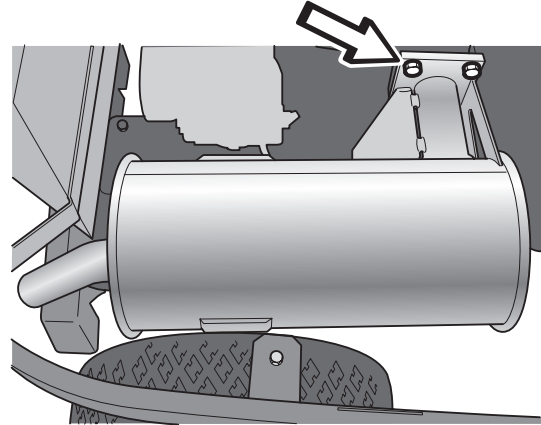
Do not adjust the stop screws on the regulator housing, the engine's warranty may become invalid.

If doubts arise, contact a Husqvarna service workshop.

Checking the exhaust system

Check regularly that the muffler is complete and secured correctly. Check that the pipe is not cracked or leaks.

Temperature variations and vibrations can mean that the tightening torque for the screws drops. The screws should be checked when servicing to guarantee the correct torque. The tightening torque should be about 20 Nm. Never use a defective muffler.



Muffler



WARNING:

The muffler gets very hot in use and remains so for a short time afterwards. Contact can result in burns. Remember the risk of fire.

Adjusting the parking brake

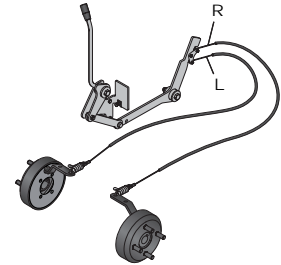
Brake adjustment should be carried out by a Husqvarna workshop.



WARNING:

A poorly adjusted parking brake can result in reduced braking ability.

1. Raise the machine so that the wheels rotate freely.
2. When the parking brake has been released, check that partial braking of the front wheels does not occur.
3. Check that the braking effect is even and that the wheels stop with normal pedal travel.
4. Check that the pedal can be locked in the applied position with normal pedal force.
5. Adjust as necessary using the wires' adjuster screws (R and L).



Parking brake control

Servicing the air filter

If the engine seems to lack power or does not run smoothly this may be because the air filter is clogged. When driving with a dirty air filter, the engine does not receive enough air, which does not meet the environmental demands, and the engine does not operate at full efficiency.

It is important to replace the air filter regularly (see See “Maintenance Schedule” on page 71 for the proper service interval).

Emptying the particle trap

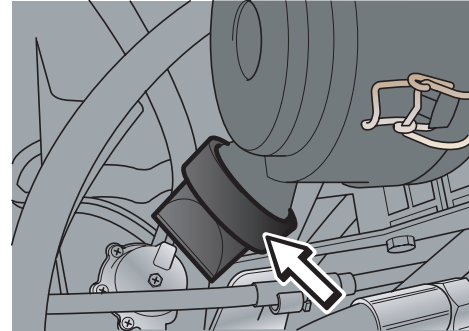
Compress so that the rubber tabs open and any particles can drop out.

Cleaning the cyclone filter

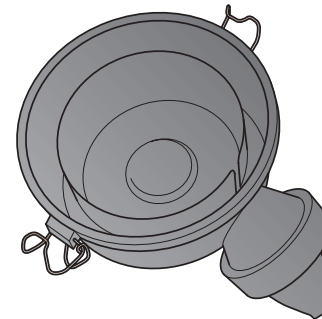
Remove the cover held in position by two brace locks and clean the inside of the cover. Wash with soap water and blow dry using compressed air after removing the cover.

IMPORTANT INFORMATION:

It is important that the particle trap is turned straight down when installing the cover.



Particle trap on air filter



Cyclone filter

Replacing the air filter

Remove the cover held by two brace locks. Pull the air filter cartridge straight out and remove it.

Wipe the inside of the air filter housing dry. If necessary, dampen the cloth with white spirit or fuel. Water or compressed air must not be used.

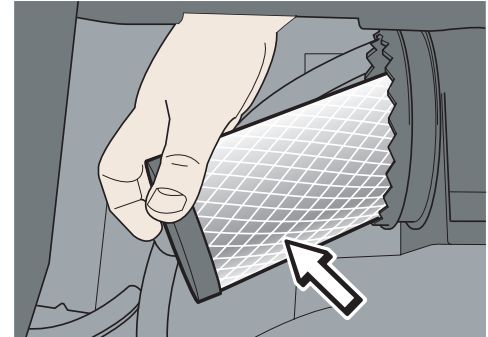
Install a new air filter cartridge with the hole inwards and press into position. It is important that the particle trap is turned straight down when installing the cover.

IMPORTANT INFORMATION:

Do not use compressed air to clean the paper filter.

Do not wash the paper filter.

Do not oil the paper filter.



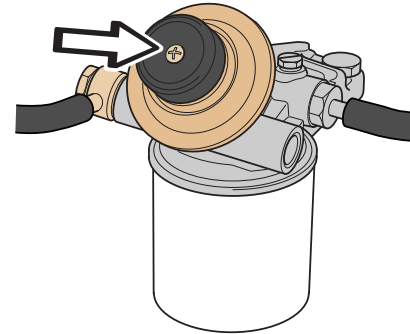
Air filter cartridge

Bleeding the fuel system

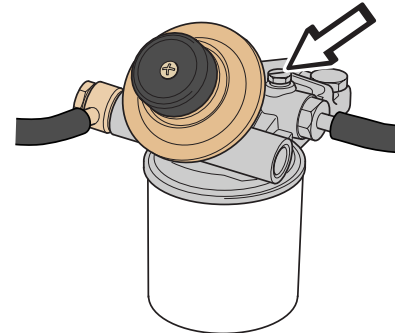
If you have run out of fuel, the fuel system must be bled. Facilitate bleeding by pumping using a hand pump. Remove the fuel tank filler cap and check the return fuel to the tank. When bubble free fuel flows to the tank, the engine can be started.

Carry out full bleeding as follows:

1. Slacken off the bleed screw on the fuel filter holder at least 1/2 a turn.
2. Pump using the hand pump until clean fuel, without air bubbles, exits the drain hole. Tighten the screw moderately.
3. Slacken off the bleed screw on the injection pump at least 1/2 a turn. Pump using the hand pump until clean fuel, without air bubbles, exits the drain hole. Tighten the screw moderately.
4. Rotate the engine with the starter motor for a maximum of 15 seconds. Wait 30 seconds before the next start attempt.



Hand pump



Bleed screw on fuel filter holder

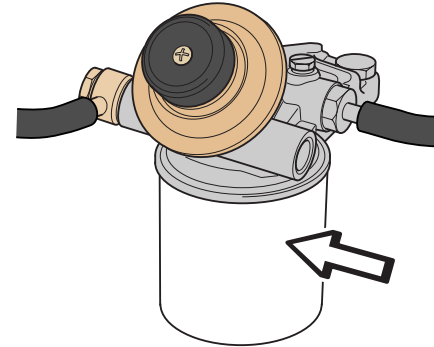
Servicing the fuel filter

IMPORTANT INFORMATION:

All action taken in the fuel system requires utmost cleanliness to prevent damaging the injection pump. Use a qualified technician. Damage caused by poor hygiene is not covered by the warranty.

The fuel filter must be replaced regularly, for intervals see Maintenance schedule, page 71, or if the feed pressure, has dropped below the permitted value due to a blocked filter. Low feed pressure can also be due to poor fuel hygiene, e.g. defective excess flow valve. The fuel filter should be replaced by a qualified technician, there is a risk of damaging the injection pump if carried out incorrectly. Contact your Husqvarna workshop.

Used fuel filters are environmentally hazardous waste.



Fuel filter

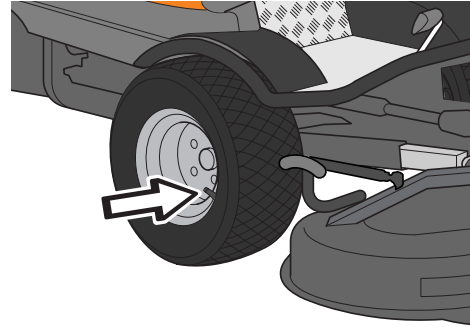
Checking the Tyre Pressures

The tyre pressure must be 100 kPa / 1.0 bar / 14.5 PSI for the front and rear wheels.

The air pressure in cutting unit's pivot wheels should be 150 kPa / 1.5 bar / 21.8 PSI.

IMPORTANT INFORMATION:

Different air pressure in the front tyres or pivot wheels will result in the blades mowing the grass at different heights.



Tyre pressures

Servicing the battery

The machine is equipped with a sealed “maintenance-free” battery. The battery has an inspection hole that displays different colours:

- Green = OK.
- White = Charge the battery.
- Red = Replace the battery.

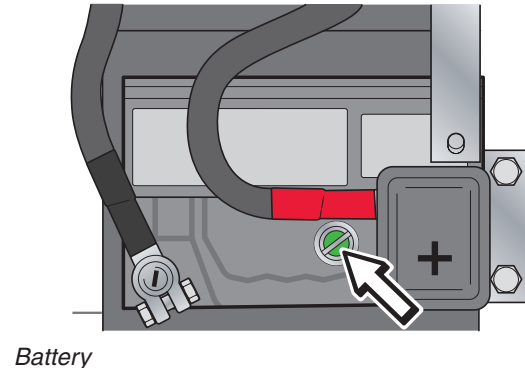


WARNING:

What to do in case of contact with battery acid:

- **External: Rinse thoroughly with water.**
- **Internal: Drink large quantities of water or milk.
Contact a doctor as soon as possible.**
- **Eyes: Rinse thoroughly with water.
Contact a doctor as soon as possible.**

The battery emits explosive gases. Sparks, flames, and cigarettes must not be present in the vicinity of the battery.



Clean the battery and holder with soap water solution. Discarded / replaced batteries must be handled as environmentally hazardous waste.

Fuses

The machine's electrical system is fused by three different types of fuse:

1. Automatic fuses; These reset automatically after a short-circuit in the circuit. No corrective action required by the operator.
2. Fusible link of the high output type; Replaced by the operator.

FU12 is located in a box on a bracket behind the battery and FU13 in a box on the top of battery's positive pole.

FU12 50 A Supply fuse for the printed circuit board.

FU13 125 A Main fuse.

If FU12 blows only the indicator panel works.

If FU13 blows the entire machine will be dead.

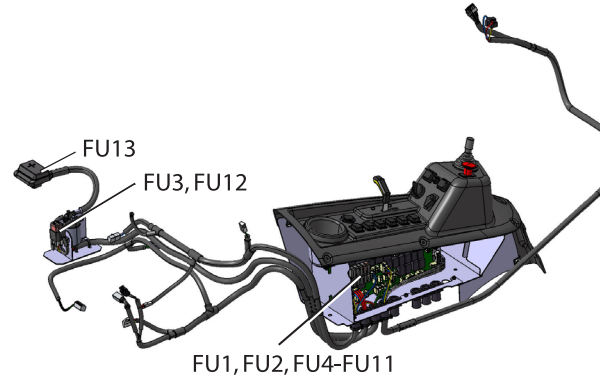
Replacing fuses: Open the box cover and replace the fuse, which is secured by two nuts.

3. The fusible links are of the flat pin type. Replaced by the operator.

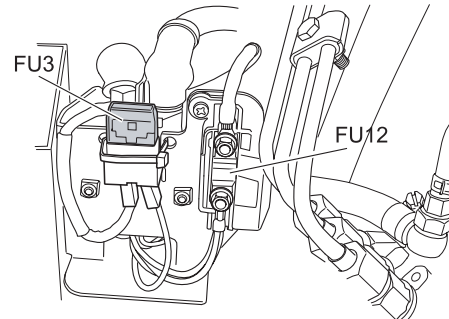
These fuses are located in two places. One fuse behind the battery:

FU3 10 A Red Control circuit (max. 10A).

If FU3 blows the entire machine will be dead.





Fuses



Fuses FU3, FU12

The circuit fuses are located on the circuit board under a cover on the control panel's right-hand side. If any of these fuses trip, only the relevant circuit has no power.

FU1	10 A Red	Power take-off's magnetic clutch
FU2	10 A Red	Solenoid valves hydraulic system
FU4	10 A Red	Indicators, signal, hazard warning lights
FU5	10 A Red	Extra voltage outlet 2
FU6	20 A Yellow	Cooling fan
FU7	10 A Red	Extra voltage outlet 1
FU8	20 A Yellow	Starter motor engagement
FU9	10 A Red	Headlight
FU10	7,5 A Brown	Lighting traffic kit
FU11	10 A Red	Power outlet 12 V

FU7 	FU6 	FU1 	FU4 	FU10 
FU8 	FU5 	FU11 	FU2 	FU9 

Circuit fuses, location

Do not use any other type of fuse when replacing.

A blown fuse is indicated by a burnt connector. Pull the fuse outwards when replacing. A tool is hung on a cable behind the cover.

The fuses are there to protect the system. If it blows again shortly after replacement, it is due to a short circuit, which must be fixed before the machine can be put into operation again.

Checking the Safety System

PT 26D is equipped with a safety system that prevents starting or driving under the following conditions.

The engine can only be started when the parking brake is applied and the drive pedals are unactuated. If the cutting unit is connected, it is disengaged and must be re-engaged.

The driver does not need to be seated in the driver's seat.

The engine and cutting unit must stop if the driver leaves the driver's seat when the parking brake is not applied or if any driving pedal is affected. There is a small delay to prevent stoppages should the driver bounce in the seat.

If you attempt to drive without releasing the parking brake the machine stops.

If the safety system is deployed, the switch for operating the cutting unit must be pressed in and pulled out again for the cutting unit to work.

Make daily inspections to ensure that the safety system works by attempting to start the engine or drive when one of the conditions to start or operate is not met. Change the conditions and try again.

Replacing the bulb in the headlight

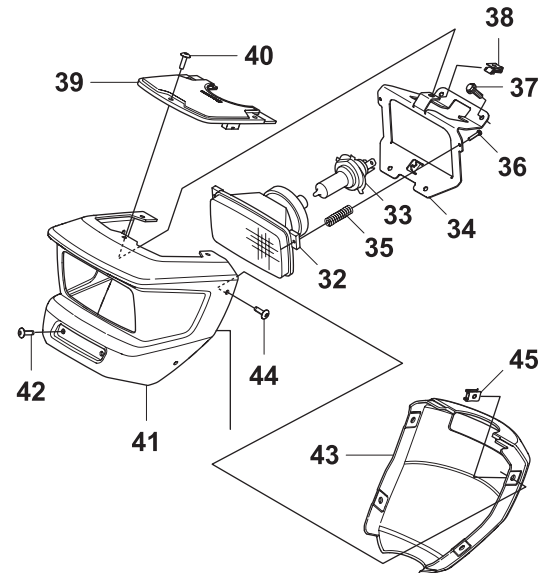
Applies to the headlight lamp.

For information about the bulb type, see “Technical data”.

IMPORTANT INFORMATION:

When the plastic covers are removed, the unit with warning lamps is released. Do not damage it.

1. Remove the plastic covers (41+43) surrounding the steering wheel console.
2. Disconnect the cable (Caution! plastic hooks) and carefully lift off the unit with warning lamps (39).
3. Remove the headlight console (34) from the steering wheel console, 4 x screws. (If the headlight insert is removed from its mounting frame, the headlight must be realigned.)
4. Disconnect the electrical terminal from the bulb.



Headlight, parts

IMPORTANT INFORMATION:

Do not touch the bulb glass with your fingers. Finger prints evaporate and mark the reflector.

5. Fold the wire loop for headlight lamp to one side and replace the bulb.
6. Assemble in the reverse order.

Light setting

Place the machine at least 5 m from a wall. The machine must stand flat.

The steering wheel console must be in the rear position.

Switch on the headlights.

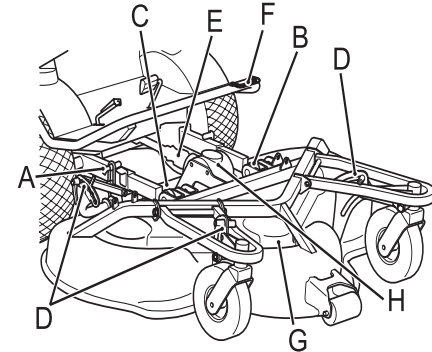
The low beam's upper limit line must fall 1 cm for each metre distance to the wall, measure from the centre of the headlight.

Adjust with the screws (36) if necessary. These are accessible once the rear plastic cover around the steering wheel console has been removed.

The Cutting Unit Components

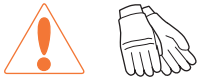
The components mentioned are:

- A Pin
- B Link joint
- C Cutting unit mountings
- D Cutting height settings
- E Propeller shaft with quick couplings
- F Service handle
- G Drive belt with cover
- H Bevel gear



The Cutting Unit Components

Attaching and removing the cutting unit



WARNING:

Exercise caution. Risk of crush injuries. Wear protective gloves

See “Side shifting the cutting unit” on page 96.

Side shifting the cutting unit

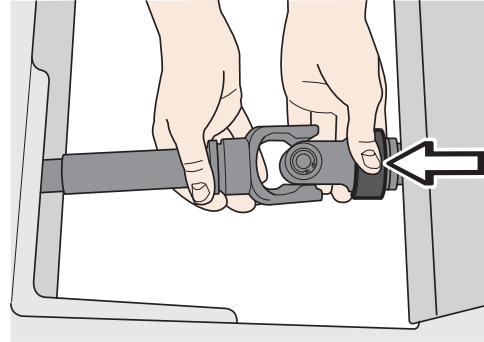
Cutting unit, Combi 155, can be side shifted 8 cm to the left or be centrally positioned on the machine.

1. Stop the engine. Switch off the weight transfer switch.

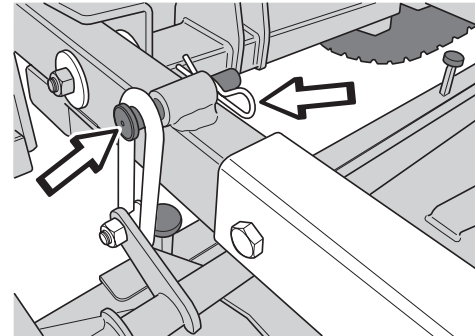
IMPORTANT INFORMATION:

Never leave the propeller shaft on the machine with one end detached. If the engine starts, damage might occur.

2. Remove the propeller shaft completely. Pull the ring to release the quick connector and to be able to pull the propeller shaft from the shaft journal.
3. Start the engine and raise the cutting unit to the transport position.
4. Stop the engine.
5. Remove the pins on both sides.
6. Lower the cutting unit to the mowing position. When the engine has stopped: Ignition switch in the ON position and the lever in the lowered position within 3 seconds, otherwise turn the ignition switch again.

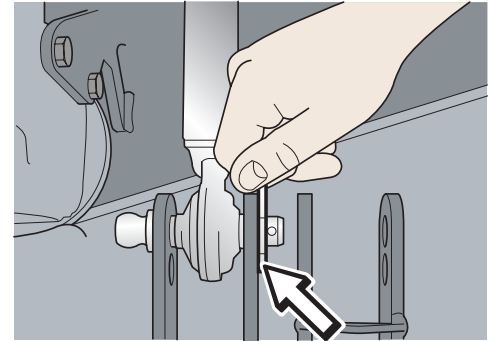


Remove the propeller shaft

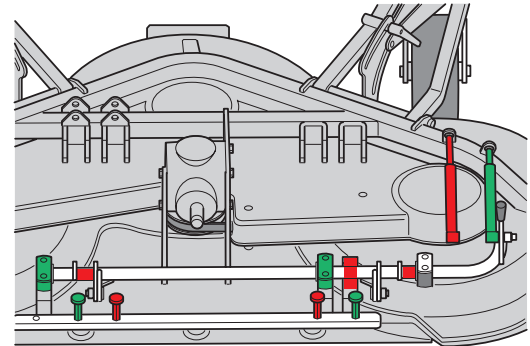


Remove the pins

7. Remove the pins from the shafts and remove the shafts from the link joints.
8. Remove the screws for the bearing brackets.
9. Remove the adjustment screw from its mounting.
TIP! Measure where the lock nut is located on the adjustment screw.
10. Move the cutting unit sideways to the new position.
11. Screw in the adjustment screw for the tilt angle a few turns. Left-hand position green, right-hand position red, see figure.
12. Move the dampers to the new position. Left-hand position green, right-hand position red, see figure.
13. Install the bearing brackets. Left-hand position green, right-hand position red, see figure. The right-hand bearing bracket must be installed in the mounting in the cover to prevent movement against the underneath of the unit mounting's arm.

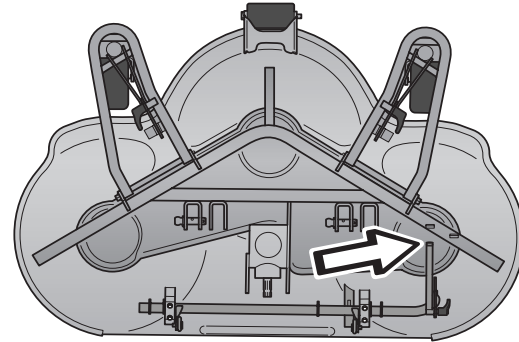


Release the link joints



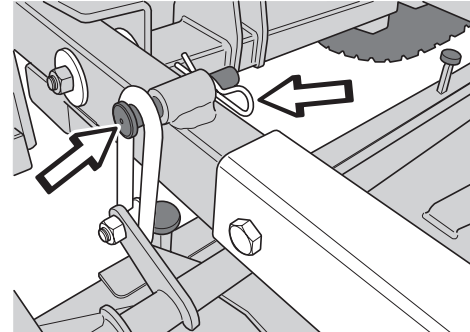
Position L green, Position R red

14. Continue to screw in the adjustment screw for tilt angle.
15. Install the shaft for the link joint and its pins on both sides.
16. Start the engine and raise the cutting unit to the transport position.
17. Stop the engine.



Adjustment screw tilt angle

18. Install the pins on both sides.
19. Lower the cutting unit to the mowing position.
(Ignition switch, see point 6)
20. Fit the propeller shaft.
21. Check and adjust the cutting unit tilt angle. See
“Tilt angle” on page 100.



Install the pins on both sides

Setting the cutting height and tilt angle

When a new cutting unit is attached, you need to adjust the tilt angle and cutting height.

Adjustment must be made in the stated order.

Starting position:

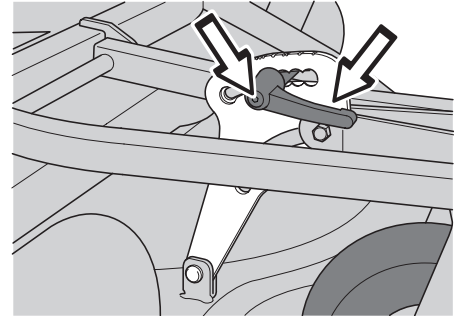
- Check the air pressure in the tyres 100 kPa / 1,0 bar / 14,5 PSI and 150 kPa / 1.5 bar / 21.7 PSI for the pivot wheels.
- The cutting unit must be lowered on a flat surface.

IMPORTANT INFORMATION:

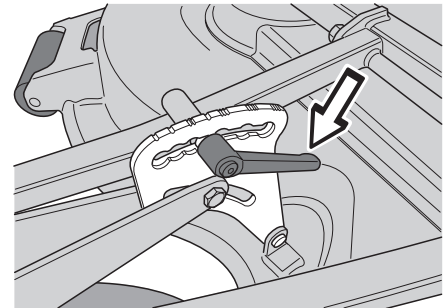
When replacing the cutting unit, you must readjust the tilt angle and cutting height.

Cutting height

1. Release the cutting height setting handle.
2. Set the same height at all three setting points.
3. Tighten the cutting height handle by hand.



Right-hand cutting height adjustment



Left-hand cutting height adjustment

4. Set the handle for cutting height setting. Release the handle by pressing in the button and turning it to the horizontal position, so that it does not catch on bushes etc.

The height interval is between 25 - 127 mm (1" - 5"), 7 positions.

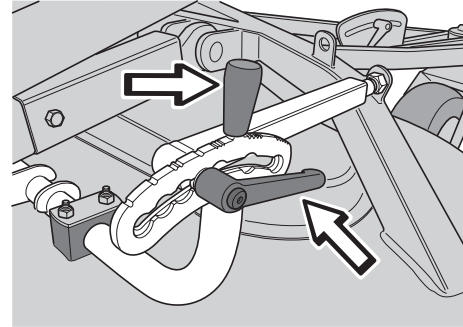
Tilt angle

The machine must be on a flat surface.

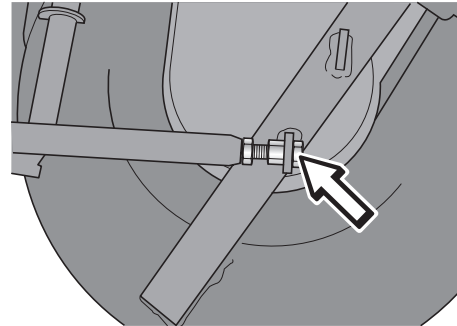
1. Check the tyre pressures 100 kPa / 1.0 bar / 14.5 PSI and 150 kPa / 1.5 bar / 21.7 PSI for the pivot wheels.
2. Measure the distance between the ground and the front and rear edges of the unit.
3. The rear edge of the cutting unit should be 6 - 9 mm (1/4" - 3/8") higher than the front edge of the unit.
4. Unscrew the lock nut and turn the adjustment screw. Extend the stay in order to raise the rear edge of the cutting unit.
5. Then tighten the lock nut to the mounting.

Ground pressure

The ground pressure is hydraulically governed in the floating position. With weight transfer engaged, a lower ground pressure on the unit's pivot wheels is obtained while the ground pressure on the machine's front wheels is increased. Can only be adjusted by an authorised workshop.



Rear cutting height adjustment



Adjusting the tilt angle

The Cutting Unit's Service Position

In order to provide good accessibility for cleaning, repair and servicing, the unit can be set in the service position. The service position means that the unit is raised and locked in the vertical position.

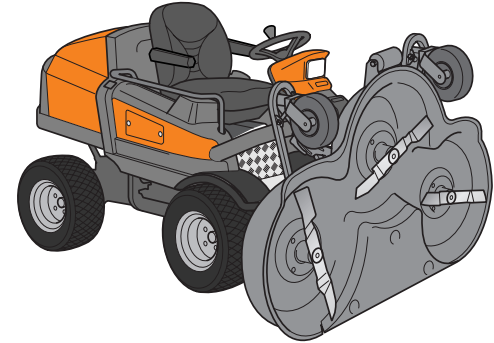
Placing in the Service Position

1. The cutting unit must be in the lowered position and the engine off.
2. Disconnect both quick couplings for the propeller shaft under the service hatch and remove the propeller shaft.

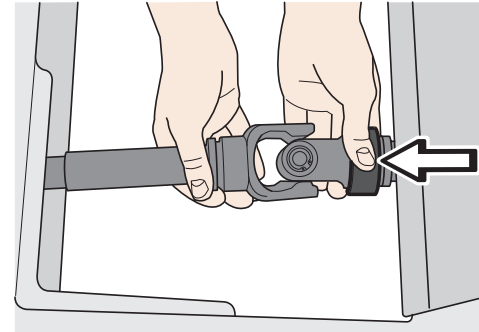
IMPORTANT INFORMATION:

Never leave the propeller shaft on the machine with one end detached. If the engine starts, damage might occur.

3. Start the engine and raise the cutting unit to the transport position.
4. Stop the engine.



Service position



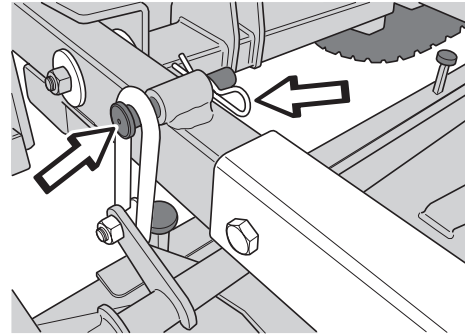
Propeller shaft

5. Remove the pins on both sides.
6. Tilt the cutting unit.
7. Secure the cutting unit with the pin in the service handle. Keep track of the hairpin spring.
8. The cutting unit in the service position.

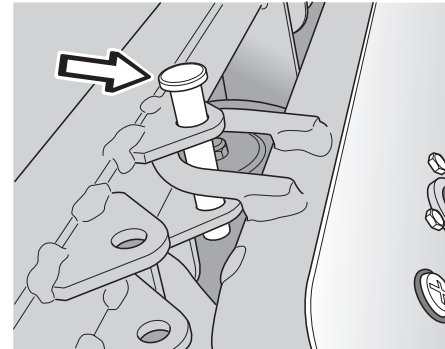
Releasing the Service Position

Images, see “Placing in the service position”.

1. Remove the pin from the service handle and lower the cutting unit.
2. Install the pins on both sides.
3. Lower the cutting unit to the mowing position. When the engine has stopped, the ignition switch must be in the ON position and the lever in the lowered position within 3 seconds, otherwise turn the ignition switch again.
4. Fit the propeller shaft and close the service hatch. Fit the cover screw. The propeller shaft only fits one way.



Right-hand side pin



Securing in the service position

Cutting Unit Model

PT 26D can be equipped with two different types of cutting unit:

- Combi 132
- Combi 155

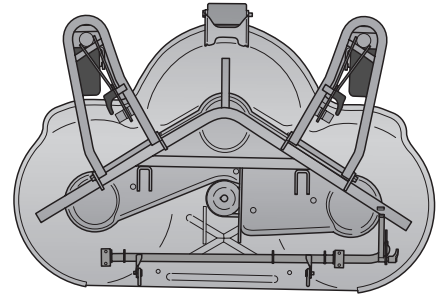
The digits indicate the cutting width in cm.

Older types of cutting unit cannot be attached.

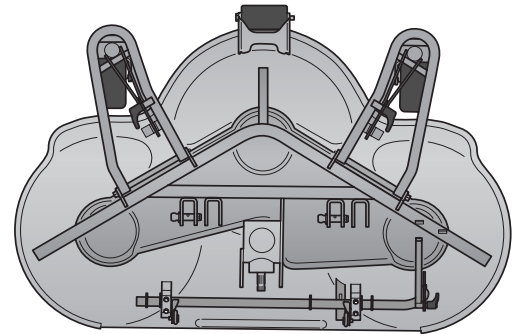
Combi 155 can be mounted 8 cm (3 1/8") to one side in relation to the machine.

Check that the blades' securing screws are tightened with the torque:

Combi 132 and 155: 75 - 80 Nm / 53 - 56 lbf.ft.



Combi 132



Combi 155

Checking the Blades



WARNING:

Protect your hands with gloves when working with the blades. Risk of cutting.

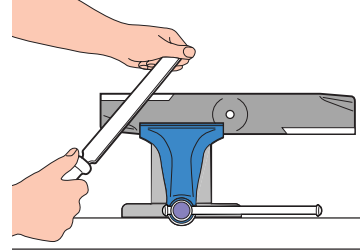
It is important that the blades are undamaged and well-ground to give the best mowing result.

IMPORTANT INFORMATION:

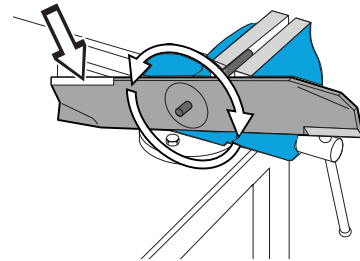
Replacement or sharpening of the blades should be carried out by an authorised service representative.

The blades should be balanced after sharpening.

Damaged blades should be replaced when hitting obstacles that result in a breakdown. Let the servicing dealer judge whether the blade can be repaired/ground or must be discarded.



Sharpening blades



Balancing blades



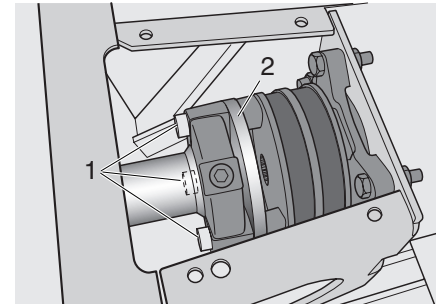
WARNING:

If the blades are cracked, whether caused by poor repair or other damage, they could break while being used. Cracked and defective blades must always be replaced. The risk increases if the blades are poorly balanced.

Replacing the power take-off belts

Always replace the belts in pairs.

1. Remove the driver's seat.
2. Remove the protective cover above the hydraulic pump's drive shaft.
3. Remove the ignition keys from the machine.
4. Release (1) the drive shaft from the hydraulic pump and remove the spacer ring (2) from the coupling.

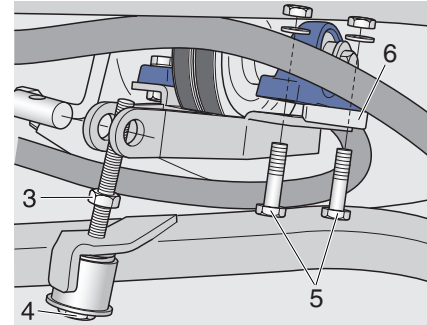


Drive shaft spacer ring

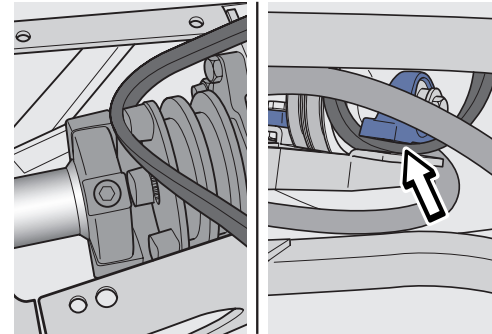
5. Undo the locking nut (3) and the lower screw (4) for the belt tensioner. Remove the belt tensioner.
6. Do not unscrew the centre bolt in the drive shaft. Remove the rear bearing bridge's screws (5) and the spacer washer (6).
7. Cut off the old belts.
8. Insert the new belts through the gap between the spacer ring and the hydraulic pump and then through the gap between the bearing bridge and the mounting. First position one of the belts on the pump pulley and then on the lower pulley. Repeat the same procedure with the other belt.
9. Fit the spacer washer (6) for the bearing bridge and the spacer ring against the pulley with the accompanying screws (5).
10. Fit the belt tensioning screws with springs and sleeve. Tighten the screws until the sleeve touches the frame mounting (4). Tighten the locking nut (3).
11. Check the tension of the belts 25 hours after changing the belts.

Adjusting the power take-off belts

Tighten the screws until the sleeve touches the frame mounting (4). Tighten the locking nut (3).



Belt tensioner and spacer washer



Fitting new power take-off belts

Replacing the cutting unit belt



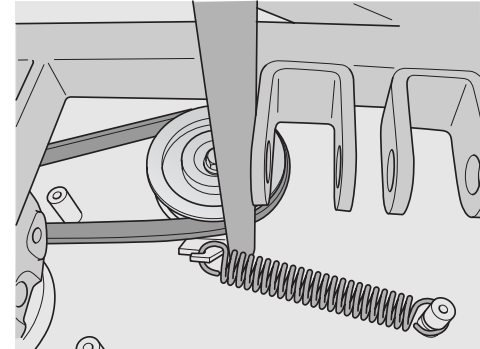
WARNING:

Protect your hands with gloves when working with the blades. There is a risk of crush injuries when working with the belt.

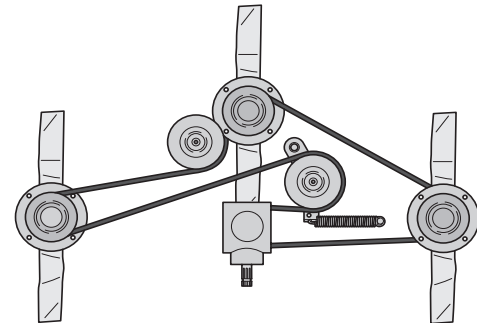
Replacing the belt on the Combi unit

On these cutting units with “collision-proof” blades, the blades are driven by one V-belt. Do as follows to replace the V-belt:

1. Dismantle the cutting unit. See “Side shifting the cutting unit” on page 96.
2. Remove the screws for the covers. Lift off the protective covers from over the belts.
3. Pry off the old belt from the belt pulleys. Use a pry bar if necessary to offload the spring and release the belt tension.

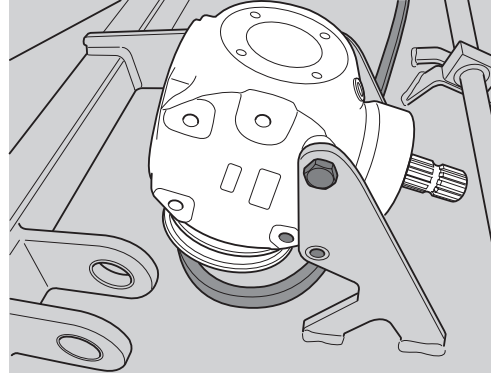


Relieving the spring



Belt tightening

4. Slacken off two screws and remove the three others for the gear housing. Turn the gear housing so that the belts can be moved under the pulley.
5. Check that the belt tensioning equipment is not jammed or binding and replace the spring.
6. Position the new belt and reinstall the gear housing.
7. Attach the new belt.
The belt position decal is on the cutting unit under the protective cover.
8. Install the protective covers.
9. Attach the cutting unit to the machine. See “Side shifting the cutting unit” on page 96.



Gearbox turned

Removal of BioClip Plug

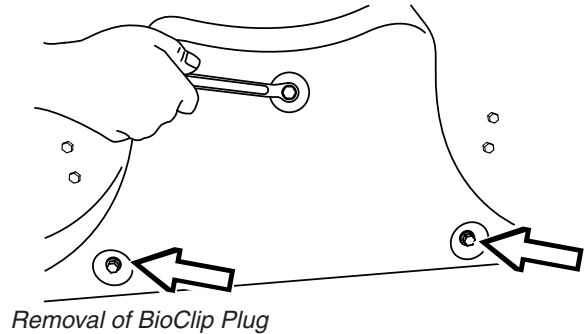
To change a Combi unit from the BioClip function to a cutting unit with rear ejection, remove the BioClip plug, which is located under the unit.

1. Put the unit in the service position. See “The Cutting Unit’s Service Position” on page 101.
2. Remove the screws holding the BioClip plug, and remove the plug.

Tip: Fit the fully threaded screws M8x15 mm in the screw holes to protect the threads.

3. Return the unit to the normal position.

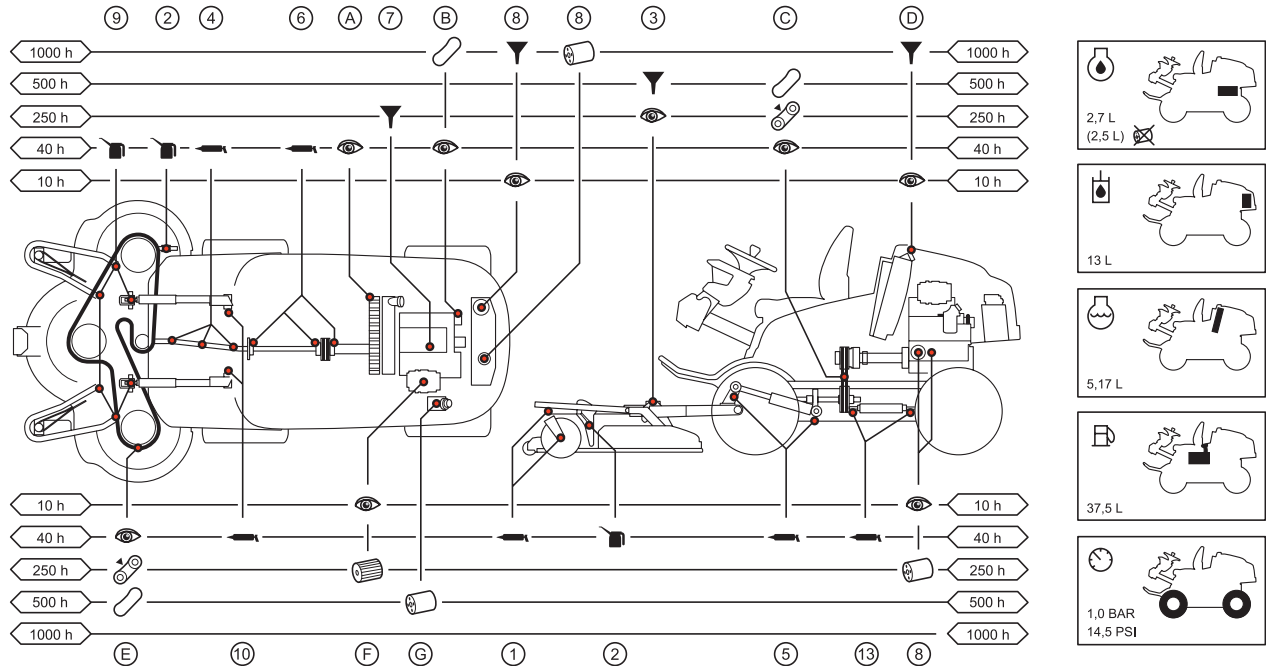
Fit the BioClip plug in the reverse order.



Chapter 7: Lubrication

Lubrication Schedule

When in daily use, the weekly lubrication (40 h) schedule should be carried out twice a week.



General

The position numbers for the lubrication points refer to the lubrication instructions on the following pages.

Remove the ignition key to prevent unintentional movements during lubrication.

When lubricating with an oilcan, it ought to be filled with engine oil. When lubricating with grease, unless otherwise stated, grease 503 98 96-01 or another chassis or ball bearing grease offering good corrosion protection shall be used.

With daily use, the machine shall be lubricated twice weekly.

Wipe away excess grease after lubrication.


Lubricating the cables

Grease both ends of the cables and move the controls to end stop positions when lubricating. Re-attach the rubber covers on the cables after lubrication. Cables with sheaths will jam if they are not lubricated regularly. A jammed cable may cause malfunction, such as the parking braking being applied.


 = Filter replacement

 = Oil Change

 = Level check

 = Brush

 = Grease nipple

 = Oil can
8009-915

Symbols on the lubrication chart

A. Radiator grille, See “Checking radiatorgrilles” on page 79.

B. Pump and alternator belt, See “Replacing the pump and generator drive belts” on page 81.

C. Power take-off belts, See “Replacing the power take-off belts” on page 105.

D. Coolant, See “Cooling system” on page 50.

E. Cutting unit belt, See “Replacing the cutting unit belt” on page 107.

F. Air filter, See “Servicing the air filter” on page 84.

G. Fuel filter, See “Servicing the fuel filter” on page 87.

Maintenance actions on the lubrication chart

Accessories

Lubrication or other maintenance of optional equipment or accessories, see “Accessories” on page 55, is not described in this manual. This equipment too, naturally, requires maintenance. See the manuals for the respective accessories for instructions.

Lubricating in Accordance with the Lubrication Schedule

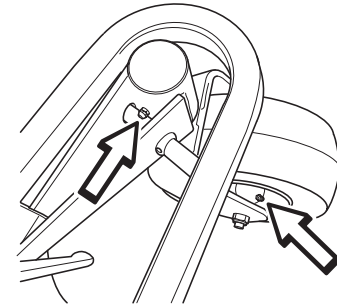
The numbers in the following headings refer to the lubrication points as described in “Lubrication Schedule” on page 111 and “General” on page 112.

1. Pivot wheel bearings

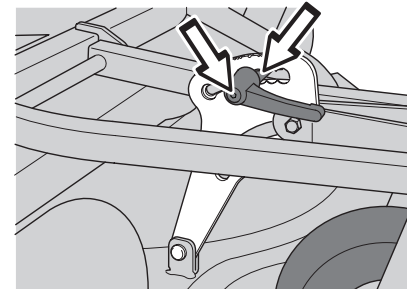
4 nipples (wheels and pivot shaft bearing), lubricate using a grease gun until grease is forced out.

2. Handle for cutting height setting

Lubricate the front and rear handles using the oil can.



Pivot wheel bearings



Cutting height setting handle

3. Cutting unit's bevel gear

Sight glass on the plug on the front of the bevel gear.

Check the level when the cutting unit is in the lower position. When filling, raise the cutting unit to the transport position and remove the plug with the sight glass.

Fill with transmission oil SAE 80.

Changing the oil

Drain the bevel gear through the sight glass with a suction hose equipped with a plastic hose, which reaches the bottom of the housing.

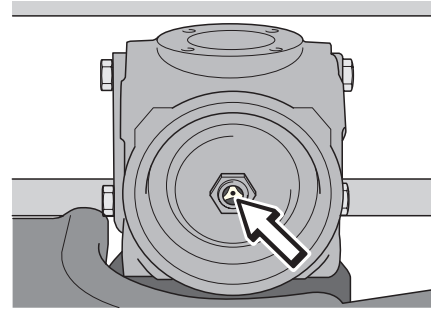
Alternatively; remove the cutting unit and plastic covers. Place the cutting unit on its top edge and drain the bevel gear through a plug.

Fill the bevel gear with 0.6 litres of oil.

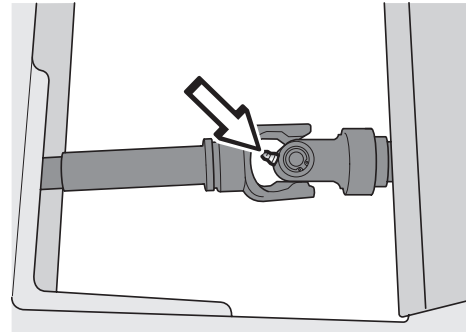
4. Propeller shaft's joints

The propeller shaft joint's 2 nipples, one nipple on the front and rear joint. Remove the propeller shaft (See "Side shifting the cutting unit" on page 96.) and lubricate using a grease gun until grease is forced out.

Also lubricate the telescopic joint on the propeller shaft with grease.



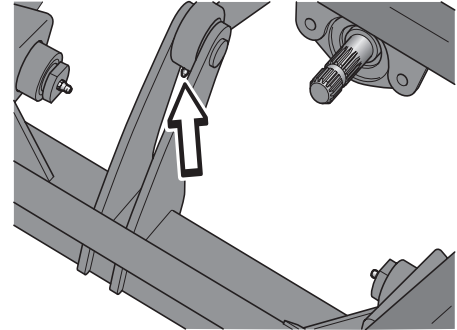
Cutting unit's bevel gear



Propeller shaft's joints

5. Lift cylinder

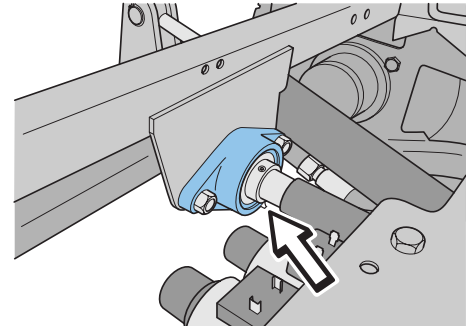
2 nipples, one at each end of the cylinder. Lubricate using a grease gun until grease is forced out.



Lift cylinder

6. The power take-off shaft's front support bearing

Lubricate using a grease gun until grease is forced out.



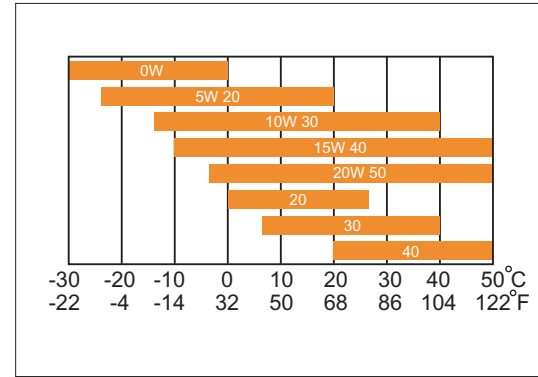
The power take-off shaft's front support bearing

7. Engine Oil

Viscosity and quality

Use engine oil viscosity as illustrated, class API CH4 or ACEA E5 or higher.

The engine holds 2.5 litres of oil excluding the filter (including filter 2.7 litres).



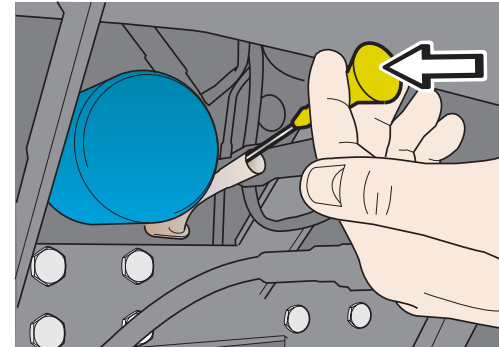
Viscosity chart

Checking the oil level

Check the oil level in the engine when the machine is standing horizontally with the engine switched off.

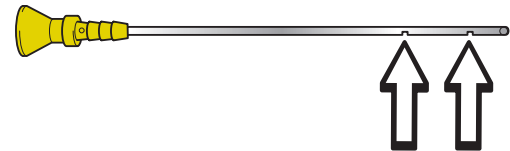
Remove the dipstick and wipe it clean. Then insert the dipstick again.

Take the dipstick out again and read the oil level.



The engine dipstick

The oil level should be between the markings on the dipstick. If the level is approaching the “ADD” mark, lower notch, top up the oil to the “FULL” mark, upper notch on the dipstick.



Dipstick marking

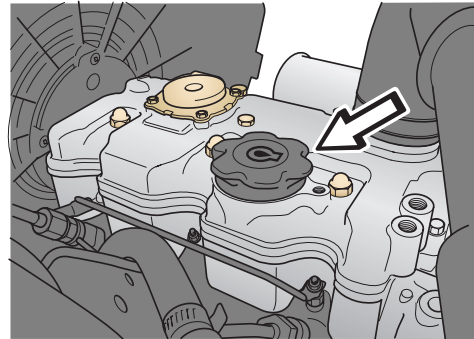
Filling engine oil

The oil filler opening is on the valve cover. Never fill above the “FULL” mark (upper notch on the dipstick).

Fill the oil slowly. Reinstall the dipstick before starting the engine. Start and run the engine at idling speed for approx. 30 seconds. Turn off the engine. Wait 30 seconds and check the oil level. If necessary fill so that the oil comes up to the “FULL” mark on the dipstick.

Changing the Engine Oil

The engine oil should be changed the first time after 25 hours running time. It should then be changed after every 250 hours of running time.



Oil filler opening



WARNING:

Engine oil can be very hot if it is drained directly after stopping the engine. Allow the engine to cool somewhat first.

Change the oil when the engine is at a temperature hot enough for any dirt to flow out easier.

IMPORTANT INFORMATION:

Used engine oil is a health hazard and must not be disposed of on the ground or in nature; it should always be disposed of at a workshop or appropriate disposal location.

Avoid skin contact; wash with soap and water in case of spills.

1. Position the wheels fully to the left.
2. Place a vessel underneath the drain plug.
3. Remove the dipstick. Remove the drain plug on the oil pan and allow the oil to run into the vessel.
4. Clean and install the drain plug and tighten.
5. Replace the oil filter if necessary. See “7. Replacing the engine’s oil filter” on page 120.
6. Fill with oil. See “Filling engine oil” on page 118.
7. Run the engine to operating temperature, then check that there is no leakage from the oil plug or oil filter.
8. Check the oil level, top up if necessary.



Drain plug

7. Replacing the engine's oil filter



WARNING:

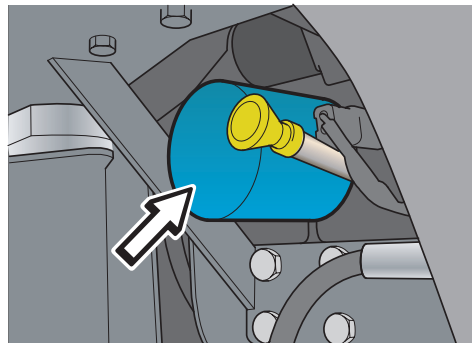
Risk of spray and burn injuries. The engine's oil filter may be very hot immediately after stopping. Allow the engine to cool somewhat first.

IMPORTANT INFORMATION:

Replaced filters must be handed in to the workshop or other allotted place for disposal.

Avoid skin contact; wash with soap and water in case of spills.

1. Remove the oil filter. If necessary, use a filter remover.
2. Clean the oil filter's mounting.



Engine oil filter

3. Wipe new, clean engine oil onto the seal for the new filter.
4. Fit the filter by hand until it mates + 3/4 turns.
5. Run the engine warm, then check that there are no leaks around the oil filter seal.
6. Check the oil level in the engine, top up if necessary. The oil filter holds 0.2 litres of oil.

8. Hydraulic oil

Viscosity and quality

Hydraulic oil ISO VG.

Viscosity 46 cSt.

Local regulations may affect the choice of hydraulic oil due to environmental reasons, consult your Husqvarna workshop at the relevant location.

Inspection off the oil level

Open the right-hand engine cover and check the level against the level marking. The level should be between the MAX and MIN line.

Filling hydraulic oil

Remove the engine cover. See “Engine cover” on page 79. Fill with hydraulic oil to approximately 60 mm (2 1/4”) below the strainer’s upper edge.

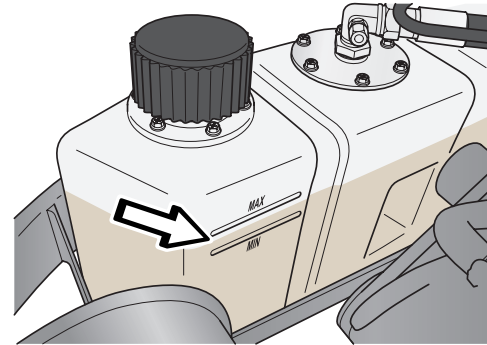
Changing hydraulic oil

IMPORTANT INFORMATION:

Used hydraulic oil is a health hazard and must not be disposed of in the ground or in nature.

Replaced filters must be handed in to the workshop or other allotted place for disposal.

Avoid skin contact; wash with soap and water in case of spills.



Oil level, hydraulic tank

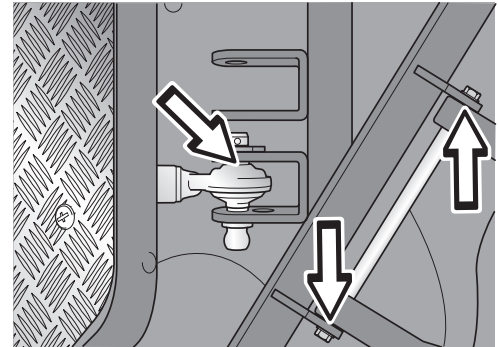
Hydraulic oil and filters should be changed by an authorised Husqvarna workshop.

8. Hydraulic oil filter, change

Hydraulic oil filters should be changed by an authorised Husqvarna workshop.

9. Cutting unit mounting

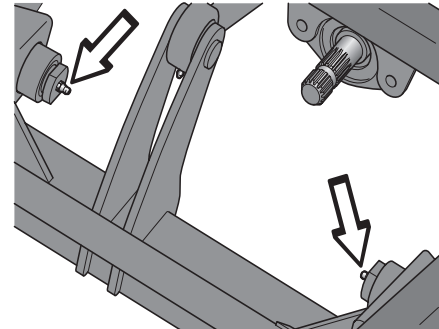
Lubricate ball joints and shafts with the oil can.



Cutting unit mounting

10. Lifting arm's rear bearings

2 nipples, one on each side. Lubricate using a grease gun until grease is forced out.



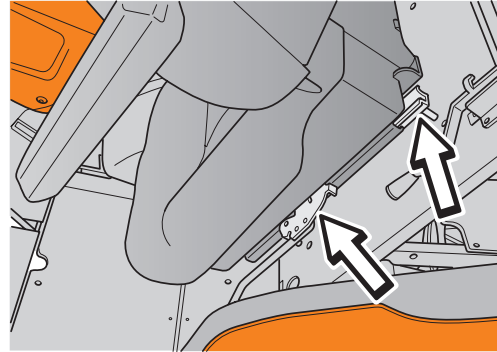
Rear storage bearing

11. Driver's Seat

Tilt the seat back.

Lubricate the lengthways adjustment mechanism with the oilcan.

Lubricate the lengthways adjustment runners with grease. Pull the seat back and forth and lubricate on both sides.



Driver's Seat

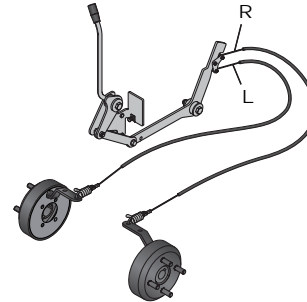
12. Parking brake cables

See "Lubricating the cables" on page 112.

Lubricate the upper ends of the cable.

Remove the cable's rubber casing (R and L) when lubricating.

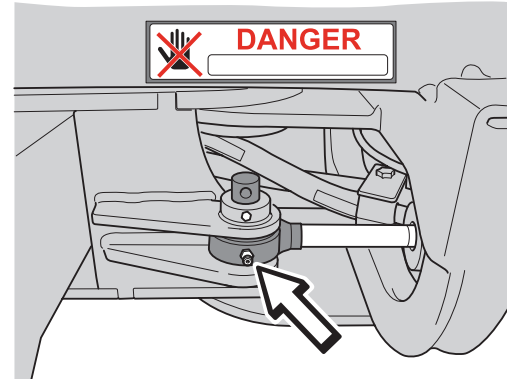
Lubricate the cable with an oil can, apply the parking brake a few times and lubricate again.



Parking brake cables

13. Control cylinder

2 nipples, one at each end of the cylinder, lubricate using a grease gun until grease is forced out.



Control cylinder

Chapter 8: Trouble Shooting Guide

Check the machine refer to this guide before contacting your service workshop.

Problem	Cause
The engine will not start.	<ul style="list-style-type: none"> • Fuel tank empty • Incorrect fuel type • Air in fuel system • The glow plug system is not working (Fuse FU7) • Serious engine damage
Starter does not turn the engine	<ul style="list-style-type: none"> • Glow plugs do not heat up • The pedals are affected • Brake not applied • Hydrostat pedals not in the neutral position • Discharged battery • Poor contact affecting the battery terminal cable connections, starter switch, or starter motor • Blown fuse on or by the battery (check 3) • Defective starter switch • Faulty starter

Problem	Cause
The engine runs erratically	<ul style="list-style-type: none">• Air in fuel system• Defective excess flow valve• Blocked fuel filter• Low feed pressure• Clogged air filter• Blocked fuel tank ventilation• Disconnected fuel line (diffuser jet)• Defective injector• Defective injection pump• Defective feed pump• Incorrect fuel type• Serious engine damage

Problem	Cause
Abnormal exhaust smoke	<ul style="list-style-type: none"> • Black smoke: <ul style="list-style-type: none"> Incorrect fuel quantity from injection pump Defective injector Incorrect timing of injection pump Clogged air filter • Blue smoke: <ul style="list-style-type: none"> Engine oil level too high Serious engine damage • White smoke: <ul style="list-style-type: none"> Defective cylinder head gasket Cracked cylinder head Engine oil level too high

Problem	Cause
The engine lacks power	<ul style="list-style-type: none">• Air in fuel system• Clogged air filter• Fuel filter blocked• Defective excess flow valve• Low feed pressure• Defective feed pump• Incorrect timing of injection pump• Serious engine damage
Engine overheating	<ul style="list-style-type: none">• Engine overloaded• Coolant level too low• Air intake or radiator blocked with grass or dirt• Fan damaged or not working• Too little or no oil in the engine• Defective radiator cap• Broken coolant pump drive belt

Problem	Cause
Battery does not charge	<ul style="list-style-type: none"> • One or more battery cells faulty • Poor contact on the battery terminal cable connectors • Defective generator • Generator drive belt broken or slipping • Breakage on cables to the generator • Insufficient battery maintenance • Sulphated battery
The machine vibrates	<ul style="list-style-type: none"> • The blades are loose • Damaged universal joint • The engine is loose • The hydraulic pump is loose • Damaged support bearings for power take off shaft • The bevel gear is loose • The engine is not running on all cylinders • Pulley loose or bearings worn in cutting unit • One or more blades imbalanced, caused by damage or poor balancing after sharpening

Problem	Cause
Uneven mowing results	<ul style="list-style-type: none">• Blades blunt• Cutting unit set incorrectly• Long or wet grass• Grass build-up under the cover• Different air pressure in the right and left tyres• Different air pressures in the tyres on the pivot wheels• Driving speed too high• Engine speed too low• The belt in the cutting unit slips• Power take-off belt slips• Too low cutting height

Chapter 9: Storage

Winter Storage

At the end of the mowing season, the machine should be readied for storage (or if it will not be in use for a long period).

There is less of a risk of corrosion damage if the machine is cleaned and stored in a dry environment.

Diesel is stable and can be stored until next season. Fill the fuel tank up to prevent condensation. If the machine is to be used during the winter, for snow clearing for example, the tank should be filled with winter fuel.

Ensure that any leaking fuel or oil cannot run into floor drains.

Ensure that the cooling system has sufficient antifreeze. If the cooling system is drained, you must ensure that both the engine block and radiator do not contain water when there is a risk of freezing.



WARNING:

Never store an engine with fuel in the tank in poorly ventilated spaces where fuel vapour can come in contact with open flames, sparks, or a pilot light such as in a boiler, hot water tank, clothes drier, etc. Handle the fuel with care. Careless use can cause serious personal injury and property damage. Never use petrol for cleaning. Use a degreasing agent and warm water instead.

To ready the machine for storage, follow these steps:

1. Thoroughly clean the machine, especially under the mower deck. Touch up damage to the paint to prevent rust.
2. Inspect the machine for worn or damaged parts and tighten any nuts or screws that may have become loose.
3. Change the engine oil; dispose of properly.

4. Lubricate all grease nipples, joints, and shafts.
5. Remove the battery. Clean, charge, and store in a cool place. Maintenance charging is recommended. An inappropriate charger will destroy the battery. Contact your Husqvarna dealer for suitable chargers.
6. Store the machine in a clean, dry place and cover it for extra protection.
A protective canvas cover is available as an accessory from your Husqvarna supplier.

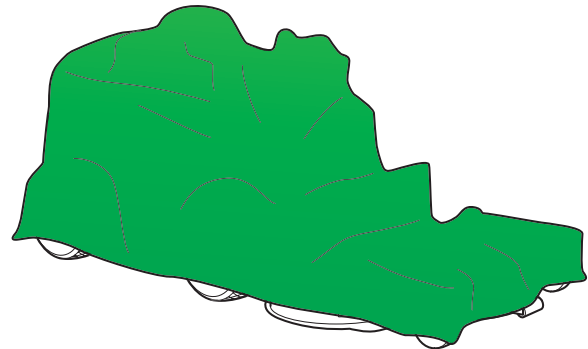
Service

Low season is the most suitable time to perform a service or overhaul of the machine in order to ensure high function safety during high season.

When ordering spare parts, please specify the purchase year, model, type, and serial number.

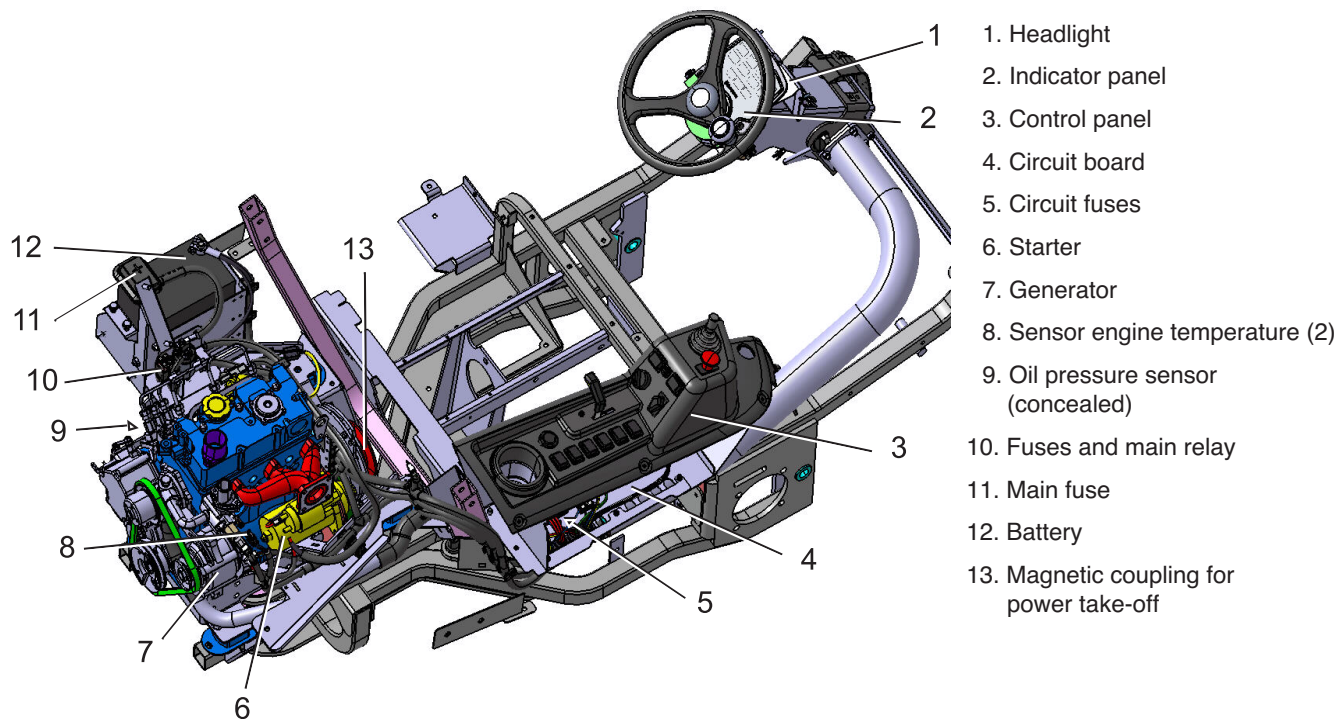
Always use genuine Husqvarna spare parts.

An annual check-up at an authorised service workshop is a good way to ensure that your machine performs its best the following season.



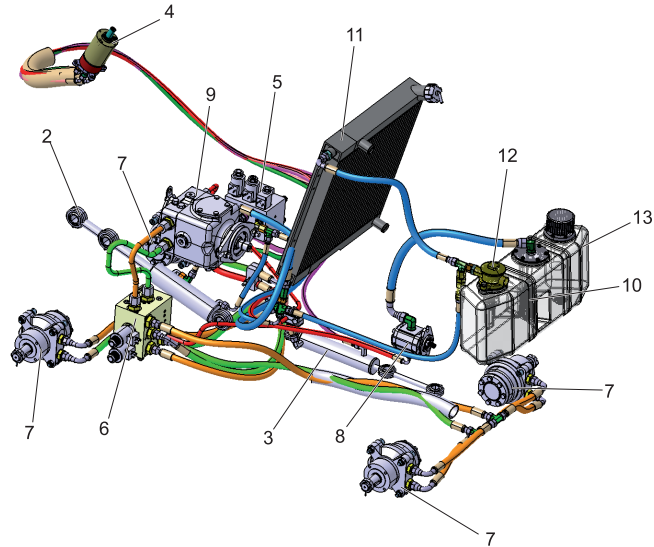
Ready for next season?

Chapter 10: Electrical system



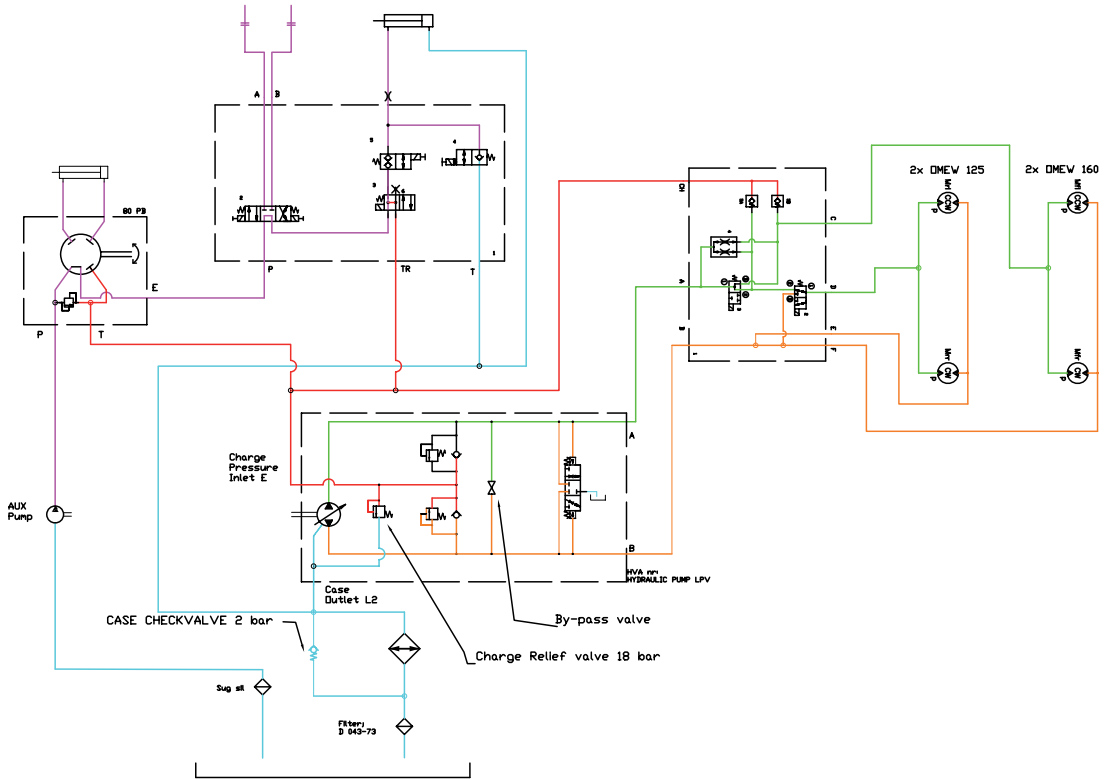
Electrical system, component locations

Chapter 11: Hydraulic System



Hydraulic System, Component Locations

- | | | |
|-----------------------------------|--|----------------------|
| 1. Quick couplings, see diagram | 6. Valve block transmission | 10. Inlet strainer |
| 2. Lift cylinder | 7. Wheel motors | 11. Hydraulic cooler |
| 3. Control cylinder | 8. Hydraulic pump Control and air system | 12. Hydraulic filter |
| 4. Control unit | 9. Hydraulic pump Drive system | 13. Hydraulic tank |
| 5. Valve block working hydraulics | | |



Hydraulic diagram

Keep the hydraulic system clean. Remember to:

- Thoroughly clean before the top-up cap is opened or any connector loosened.
- Use clean containers when topping up the oil.
- Only use pure oil that has been stored in a sealed container.
- Do not reuse drained oil.
- Change the oil and filter according to the intervals specified in “Maintenance Schedule” on page 71.

In order for a hydraulic system to function without problem, it must be free from foreign objects. When used, the system produces particles, which can cause both wear and abnormal function. In order to remove these particles, the system contains filters. The filters are sized so as to capture the produced particles, but if contaminants are introduced from outside the system, the filters can quickly become clogged and fail to function as intended. If there are contaminants in the system, further contamination will be produced in a self-propagating cycle. The result will be operating disruptions and much work to clean the system.

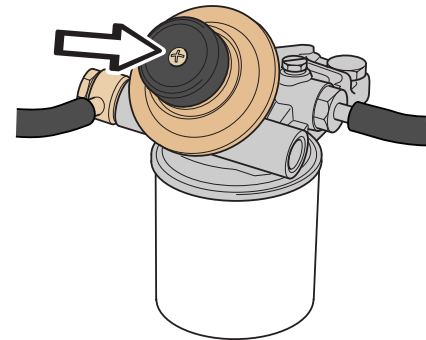
Chapter 12: Fuel system

Fuel system with in-line pump has excellent operational reliability as long as the fuel is kept clean. If contaminated fuel is filled or enters the system in the incorrect manner, the risk of malfunction or wear/damage to the injection pump increases. Contaminants include dust particles or in the form of liquid, such as water or petrol.

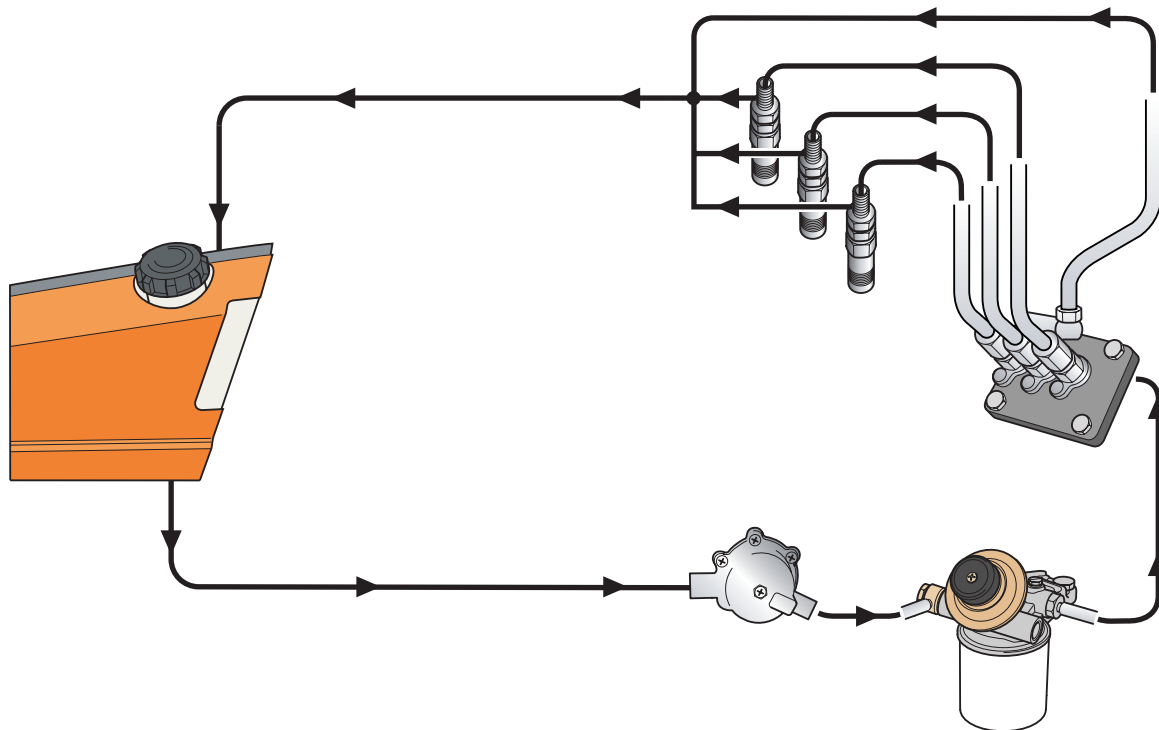
The fuel in the tank is drawn up by the feed pump and pushed through the fuel filter to the injection pump's fuel chamber. The feed pump supplies a greater quantity of fuel than the injection pump requires. Consequently, there is an overflow pipe on the injection pump, which leads off surplus fuel and maintains the feed pressure in the fuel chamber. The excess is routed away via the injector's leak oil line back to the tank.

There is a hand pump on the fuel filter, which is used to bleed the fuel system.

The injection pump pumps fuel to the injectors, which are opened by the pressure and then spray the fuel into the prechambers, where it is ignited by the compression heat.



Hand pump



Fuel system

Technical Data

Data	PT 26D
Dimensions	Excluding cutting unit
Length, base machine	2070 mm / 6.79 ft
Width, base machine	1170 mm / 3.83 ft
Height	1300 mm / 4.26 ft
Operating weight, base machine	600 kg / 1322 lb
Wheelbase	1180 mm / 3.87 ft
Tyre dimensions	20x10.0-10
Tyre pressure, machine	100 kPa / 1.0 bar / 14.5 PSI
Tyre pressure, pivot wheel	150 kPa / 1.5 bar / 21.7 PSI
Engine	Precombustion chamber diesel, 3-cylinder in-line engine
Brand	Perkins
Model	403D-11
Power	26/19.7 hp/kW @ 3000 rpm

Data	PT 26D
Displacement	1131 cm ³
Fuel	min 45 Cetane 2.0 - 4.5 cSt @ 40 °C 0.835 - 0.855 kg/l Sulphur < 0.2 w%
Tank volume	37.5 liters/9.9 US Gal
Oil	Viscosity see page116 Class API CH4 or ACEA E5
Oil volume	2.5 litres/2.6 US qt
Oil volume including filter	2.7 litres/2.9 US qt
Starting	Electric start
Cooling system	Water cooled
Volume	approximately 5 litres
Antifreeze fluid	BS6580-1992, ASMD3306-89, AS2108-1977
Electrical system	
Type	12 V, negative grounded

Data	PT 26D
Battery	12 V, 40 Ah
Main fuse	125 A
Supply fuse circuit board	50 A
Fuse Yellow	Flat pin 20 A
Fuse Red	Flat pin 10 A
Fuse Brown	Flat pin 7.5 A
Bulb headlight	12 V H4
Hydraulic System	
Max. working pressure	210 bar/3050 PSI
Power steering circuit max. working pressure	120 bar/1740 PSI
Transmission	
Manufacturer and type	Pump Danfoss LPV25 25 cc variable annular piston Front Sauer-Danfoss OEMV 160 cc Rear Sauer-Danfoss OEMV 125 cc
Oil	ISO VG 46 cSt
Oil volume, total including hydraulic system	13 litres

Data	PT 26D
Maximum speed	
Forwards, high speed	18 km/h
Forwards, low speed	13 km/h
Reverse, low speed	13 km/h
Max inclination , all directions	10°
Cutting unit	Combi 155
Cutting width	1550 mm/61"
Cutting heights	25.4 - 127 mm / 1" - 5"
Blade length	560 mm/22"
Width	1610 mm / 5.28 ft
Weight	113 kg / 248 lb
Length machine with unit	approximately 2800 mm / 9.19 ft
Bevel gear, oil volume	0.6 litres
Cutting unit	Combi 132
Cutting width	1300 mm / 51.2"

Data	PT 26D
Cutting heights	25.4 - 127 mm / 1" - 5"
Blade length	490 mm/19.3"
Width	1340 mm / 52.8"
Weight	approximately 100 kg / 29.3lb
Length machine with unit	approximately 2730 mm / 8.96 ft
Bevel gear, oil volume	0.6 litres
Noise emissions with unit C155	
Measured noise level	103 dB(A)
Guaranteed noise level	104 dB(A)
Noise emissions with unit C132	
Measured noise level	102 dB(A)
Guaranteed noise level	102 dB(A)

IMPORTANT INFORMATION:

When this product is spent and is no longer used it should be returned to the dealer or other authority for recycling.

IMPORTANT INFORMATION:

In order to introduce improvements the specification and design are subject to alteration without prior notice.

Note that no legal demands whatsoever can be made with the support of the information in this operator's manual.

Only use original spare parts with repairs. The use of other parts invalidates the warranty.

Design standards

EU Declaration of Conformity (only applies to Europe)

Husqvarna AB, SE-561 82 Huskvarna, Sweden, tel: +46-36-146500, declare under sole responsibility that the **Husqvarna PT26D**, from 2006's serial numbers and onwards (the year is clearly stated in plain text on the rating plate with subsequent serial number), conforms with the requirements of the COUNCIL'S DIRECTIVE:

- of June 22, 1998 "relating to machinery" **98/37/EC, annex IIA.**
- of December 15, 2004 "relating to electromagnetic compatibility" **2004/108/EG.**
- of May 8, 2000 "relating to noise emissions into the surroundings" **2000/14/EC.**

Information regarding noise emissions and the cutting width, see "Technical Data".

The following harmonised standards have been applied: **EN292-2, EN836.**

Registered body **0404, SMP Svensk Maskinprovning AB**, Fyrisborgsgatan 3, SE-754 50 Uppsala, Sweden has issued reports with numbers:

01/901/079, 01/901/080 regarding the assessment of conformity according to annex VI to the COUNCIL'S DIRECTIVE of May 8, 2000 "relating to the emission of noise to surroundings" 2000/14/EC.

Huskvarna January 7, 2009



Claes Losdahl, Development Manager/Commercial Lawn and Garden

Diverse design standards

The electrical system is designed to conform to requirements of insurance companies regarding the risk of fire. The electrical system has an electrical main circuit breaker and max. 10 A in the control circuit. All electrical cables are protected by a protective hose. The electrical system must not be modified as this can disregard the requirements of the insurance companies.

The electrical system is designed to satisfy the requirements made by insurance companies on machines with a price exceeding 2 base amounts.

A

Accessories 53, 111
Adjusting the steering wheel setting 47
Air filter 82, 83
Air filter cartridge 83
Air intake grille 57
Air pressure 86
Antifreeze 131
Antifreeze agent 50
Automatic dipped beam mode Automatic dipped beam 42

B

Backrest tilt 34
Battery 87
Battery acid 20
Battery charging 46
Belt position diagram 106
Belt replacement 105
Bevel gear 28, 112
BioClip 52
BioClip plug 107
Bleed screw 84
Bleeding 84
Braking 66
Bulb 91

C

Cables 110
Catch 33
Cetane rating 37

Children 16
Chronometer 46
Circuit fuses 89
Cleaning 75
Cold 61
Combi 101
Combi unit 52
Contamination 138
Control cylinder 123
Control panel 33
Coolant draining 49
Coolant filling 48
Coolant level 48
Coolant temperature 46
Cooling air intake 77
Cooling system 18, 48
Cutting height 36, 55
Cutting height adjustment 36, 97, 111
Cutting unit 40, 52, 93, 121
Cutting unit belt 105
Cutting unit model 101
Cutting unit operation 46
Cutting unit switch 40
Cyclone filter 82

D

Dealers 3
Decals 5
Diesel 37, 131
Differential Lock 23, 28, 36, 46

Dirt 138
Drain plug 117
drive shaft 103
Driver's Seat 120, 122, 139
Driving pedals 32, 65

E

Electrical system 135
Electro magnetic clutch 28
Emergency starting 62
Engine coolant temperature 48
Engine cover 77
Engine Oil 114
Engine running hours 46
Engine speed 61
Engine starting 59
Environment protection 24, 119
Environmentally hazardous 85
Environmentally hazardous waste 87
Ether 57
EU declaration of Conformity 147
Excess flow valve 139
Exhaust system 80
Extra lubrication 76

F

Feed pressure 85
Feed pump 139
Filling hydraulic oil 120
Filter 138

Fuel 17, 37
Fuel filter 24, 85, 139
Fuel hygiene 37
Fuel level 37
Fuel system 18, 84, 139
Full beam 46
Fuses 88

G

Generator drive belt 78
Glow plug heating 42, 46
Glow plug heating position 60
Glycol 50, 131
Ground pressure 98

H

Hand pump 84, 139
Headlight 42
Heat exchanger 78
High speed 43, 46
Horn 41
Hydraulic lift 38
Hydraulic oil 119
Hydraulic oil filter 121
Hydraulic System 136, 137
Hydrostatic 27

I

Idling 67
Indicators 41

Injection pump 139
Injectors 139
Inspection hole 87

J

Jump leads 63

L

Lift cylinder 113
Lubrication schedule 109
Lumbar support 35

M

Main fuse 88
Maintenance 17
Maintenance work 24
Measurement gauge 115
Mixing table 51
Modification 2
Mowing Position 39
Mowing result 55, 102
Mowing Tips 55
Muffler 80
Mulching 22, 57

O

Oil filler opening 116
Oil filter 24, 118
Oil level 115, 120
Oil mixed dirt 78

Oil pressure 46
Oily dirt 75
Ordering spare parts 4

P

Parallelism 98
Parking brake 33, 46, 81
Parking brake cables 122
Parking lights 45
Particle trap 82
Passengers 10
Pedal 32
Pivot wheel bearings 111
Power outlet 45
Power take-off belt 103
power take-off belts 104
Power take-off shaft 28, 113
Power transmission 27
Propeller shaft 28, 94
Propeller shaft's joints 112
Protective equipment 13

R

Radiator grilles 77
Refuelling 37
Risk of freezing 131
Running 64

- S**
- Safety 9
- Safety circuit 40
- Safety System 90
- Seat 33
- Serial Number 4
- Service position 99
- Sharpening the blades 102
- Side shifting 94
- Sight glass 37
- Slopes 14, 56
- spacer ring 103
- Spare parts 133
- Sparking 19
- Speed control 32
- Start throttle 57
- Starter switch 42
- Starting 59
- Steering Wheel 35
- Steering wheel console 35
- Steering wheel console angle 47
- Stopping 67
- Storage 131
- Support bearing 113
- Symbols 5
- T**
- Throttle control 43, 79
- Towing 1, 53
- Traffic kit 28
- Transport 1, 23
- Transport Position 38
- Type designation 4
- Tyre air pressure 86
- Tyre pressure 86
- U**
- Use 2, 9
- User responsibility 26
- V**
- V-belt 28
- Viscosity 114, 119
- W**
- Warning lamps 46
- Waste oil 24
- Weak battery 62
- Winter fuel 38, 131
- Winter storage 131



Husqvarna

Great experience

115 15 26-26