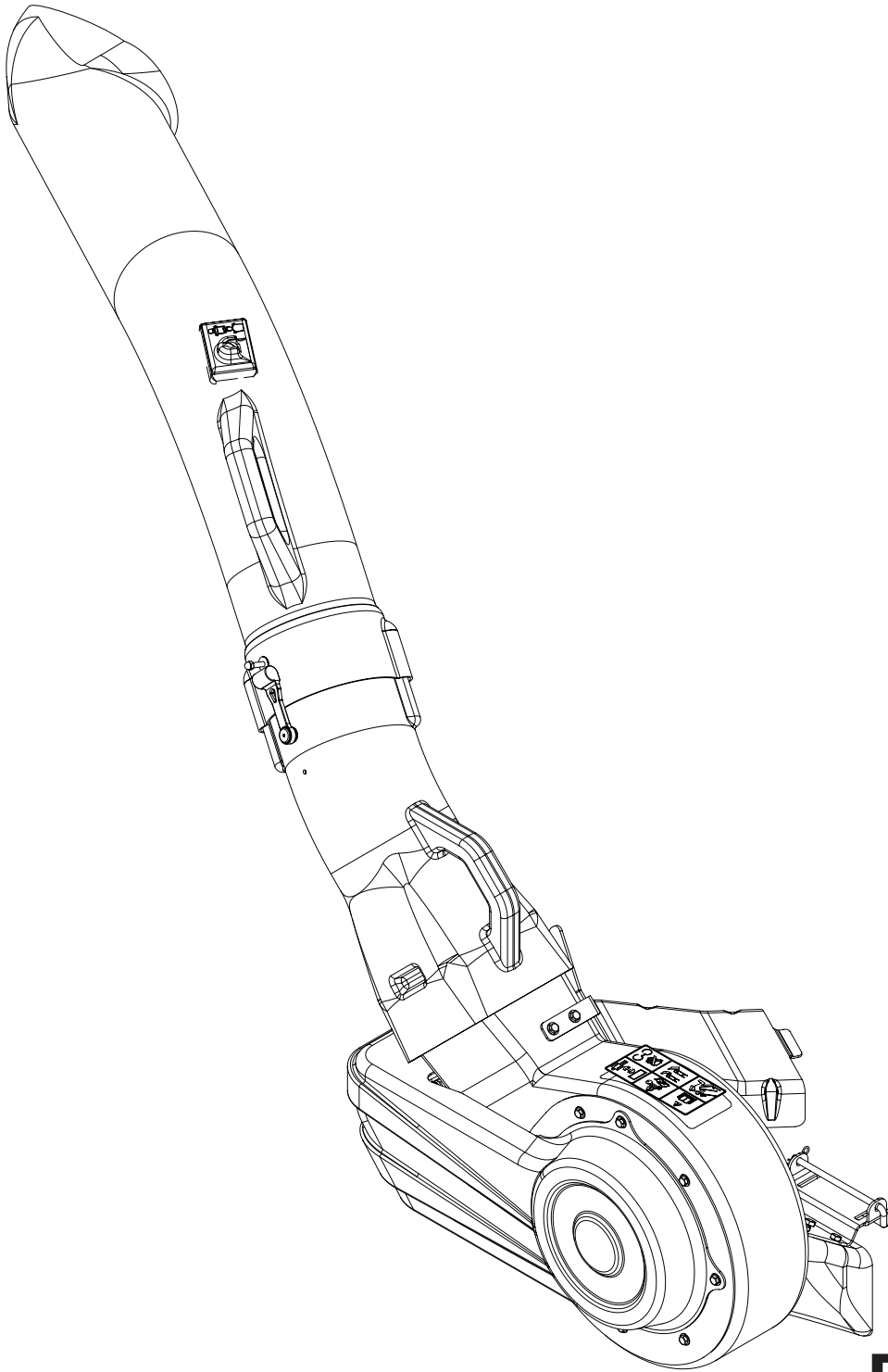


# Operator and Parts Manual

---



## **Blower Kit** **61" Collection System**

966004801

2009-05

# CONTENTS

---

SAFETY RULES.....	4	ASSEMBLY .....	8
GENERAL OPERATION .....	4	TIPS FOR IMPROVED BAGGING.....	12
SLOPE OPERATION .....	4	GENERAL RECOMMENDATIONS .....	12
CHILDREN.....	5	OPERATION.....	13
SERVICE.....	5	STORAGE.....	13
		REPAIR PARTS.....	14

**CONGRATULATIONS** on the purchase of a new collection system. It has been designed, engineered and manufactured to give you the best possible dependability and performance.

Should you experience any problem you cannot easily remedy, please contact your nearest authorized service center/ department. They have competent, well-trained technicians and the proper tools for service and repairs.

Please read and retain this manual. The instructions will enable you to assemble and maintain your collection system properly. Always observe the "SAFETY RULES".

## **KNOW YOUR BLOWER SYSTEM**

**READ THIS OPERATION MANUAL AND SAFETY RULES BEFORE ASSEMBLING OR OPERATING YOUR BLOWER SYSTEM.** Compare the illustrations with the carton contents to familiarize yourself with the parts before starting the assembly. Study the operating instructions and safety precautions thoroughly to insure proper functioning of your Grass Catcher and to prevent injury to yourself and others. Save this manual for future reference.



### **WARNING!**

**Engine exhaust, some of its constituents, and certain vehicle components contain or emit chemicals known to the State of California to cause cancer and birth defects or other reproductive harm.**



**The operation of any mower can result in foreign objects thrown into the eyes, which can result in severe eye damage. ALWAYS wear safety glasses or eye shields before starting your mower and while mowing. Standard safety glasses are recommended or a wide vision safety mask for over spectacles.**

# SAFETY RULES

---



## SAFE OPERATION PRACTICES FOR RIDE-ON MOWERS



### DANGER !

THIS CUTTING MACHINE IS CAPABLE OF AMPUTATING HANDS AND FEET AND THROWING OBJECTS. FAILURE TO OBSERVE THE FOLLOWING SAFETY INSTRUCTIONS COULD RESULT IN SERIOUS INJURY OR DEATH.

### GENERAL OPERATION

- Read, understand and follow all instructions in the manual and on the machine before starting.
- Only allow responsible adults, who are familiar with the instructions, to operate the machine.
- Clear the area of objects such as rocks, stones, toys, wire etc., which could be picked up and thrown by the blades.
- Be sure the area is clear of all people and pets before mowing. Stop the machine if anyone enters the area.
- Never carry passengers or children even with blades off.
- Do not mow in reverse unless absolutely necessary. Always look down and behind before and while backing.
- Be aware of the mower discharge direction and do not direct it towards anyone. Do not operate the mower without either the entire grass catcher or the guard in place.
- Slow down before turning.
- Never leave the machine unattended when the engine is running. Always turn off the blades, set the parking brake, stop the engine and remove the key before leaving the machine.
- Turn off blades when not mowing.
- Stop engine before removing grass catcher or unclogging chute.
- Mow only in daylight or good artificial light.
- Do not operate the machine while under the influence of alcohol or drugs.
- Watch out for traffic when operating near or crossing roadways.
- Use extra care when loading and unloading the machine onto a trailer or truck.
- Data indicates that operators, age 60 years and above, are involved in a large percentage of riding mower-related injuries. These operators should evaluate their ability to operate the riding mower safely enough to protect themselves and others from serious injury.

- **DO NOT** operate mower with grass catcher, unless the front weights are installed.
- Keep machine free of grass, leaves or other debris buildup which can touch hot exhaust/engine parts and burn. Do not allow the mower deck to plow leaves or other debris which can cause buildup to occur. Clean any oil or fuel spillage before operating or storing the machine. Allow machine to cool before storage.

### SLOPE OPERATION

Slopes are a major factor related to loss-of-control and tip-over accidents, which can result in severe injury or death. All slopes require extra caution. If you cannot back up the slope or if you feel uneasy on it, do not mow it.

#### DO

- Mow up and down slopes (10° Max.), not across.
- Remove obstacles such as rocks, tree limbs, etc.
- Watch for holes, ruts, or bumps. Uneven terrain could overturn the machine. **Tall grass can hide obstacles.**
- Use slow speed. Choose a low speed so that you will not have to stop while on the slope.
- Use extra care with grass catchers or other attachments. These can change the stability of the machine.
- Keep all movement on the slopes **slow** and **gradual**. Do not make sudden changes in speed or direction.
- Avoid starting or stopping on a slope. If tires lose traction, disengage the blades and proceed slowly **straight** down the slope.

# SAFETY RULES

---



## SAFE OPERATION PRACTICES FOR RIDE-ON MOWERS



### DO NOT

- **Do not** turn on slopes unless necessary, and then, turn slowly and gradually downhill, if possible.
- **Do not** mow near drop-off, ditches, or embankments. The mower could suddenly turn over if a wheel is over the edge of a cliff or ditch, or if an edge caves in.
- **Do not** mow on wet grass. Reduced traction could cause sliding.
- **Do not** try to stabilize the machine by putting your foot on the ground.

### CHILDREN

Tragic accidents can occur if the operator is not alert to the presence of children. Children are often attracted to the machine and the mowing activity. Never assume that children will remain where you last saw them.

- **NEVER allow children to operate the machine.**
- Keep children out of the mowing area and under the watchful care of another responsible adult.
- Be alert and turn off the machine if children enter the area.
- Before and when backing, look behind and **down** for small children.
- Never carry children. They may fall off and be seriously injured or interfere with safe machine operation.
- Use extra care when approaching blind corners, shrubs, trees, or other objects that may obscure vision.

### SERVICE

- The operation of any mower can result in foreign objects thrown into the eyes, which can result in severe eye damage. Always wear safety glasses or eye shields while operating your mower or performing any adjustments or repairs. We recommend a wide vision safety mask over spectacles or standard safety glasses.
- Use extra care in handling gasoline and other fuels. They are flammable and vapors are explosive.
  - Use only an approved container.
  - Never remove gas cap or add fuel with the engine running.
  - Allow engine to cool before refueling.
  - Do not smoke.
  - Never refuel the machine indoors.
  - Never store the machine or fuel container inside where there is an open flame, such as a water heater.
- Never run a machine inside a closed area.
- Keep nuts and bolts, especially blade attachment bolts, tight and keep equipment in good condition.
- Never tamper with safety devices. Check there proper operation regularly.



### CAUTION

**In order to prevent accidental starting when setting up, transporting, adjusting or making repairs, always disconnect spark plug wire and place wire where it cannot contact spark plug.**

# SAFETY RULES

---



## SAFE OPERATION PRACTICES FOR RIDE-ON MOWERS



- Keep machine free of grass, leaves, or other debris buildup. Clean oil or fuel spillage. Allow machine to cool before storing.
- Stop and inspect the equipment if you strike an object. Repair, if necessary, before restarting.
- Never make adjustments or repairs with the engine running.
- Grass catcher components are subject to wear, damage, and deterioration, which could expose moving parts or allow objects to be thrown. Frequently check components and replace with manufacturer's recommended parts, when necessary.
- Mower blades are sharp and can cut. Wrap the blade(s) or wear gloves, and use extra caution when servicing them.
- Check brake operation frequently. Adjust and service as shown in the Operator's Manual.



### **WARNING!**

**Battery posts, terminals and related accessories contain lead and lead compounds, chemicals known to the State of California to cause cancer and birth defects or other reproductive harm. Wash hands after handling.**



### **WARNING!**

**DO NOT tow any trailers, etc. with this mower. They may jackknife or over turn causing damage to the mower and possibly serious injury to the operator.**

## UNPACKING INSTRUCTIONS

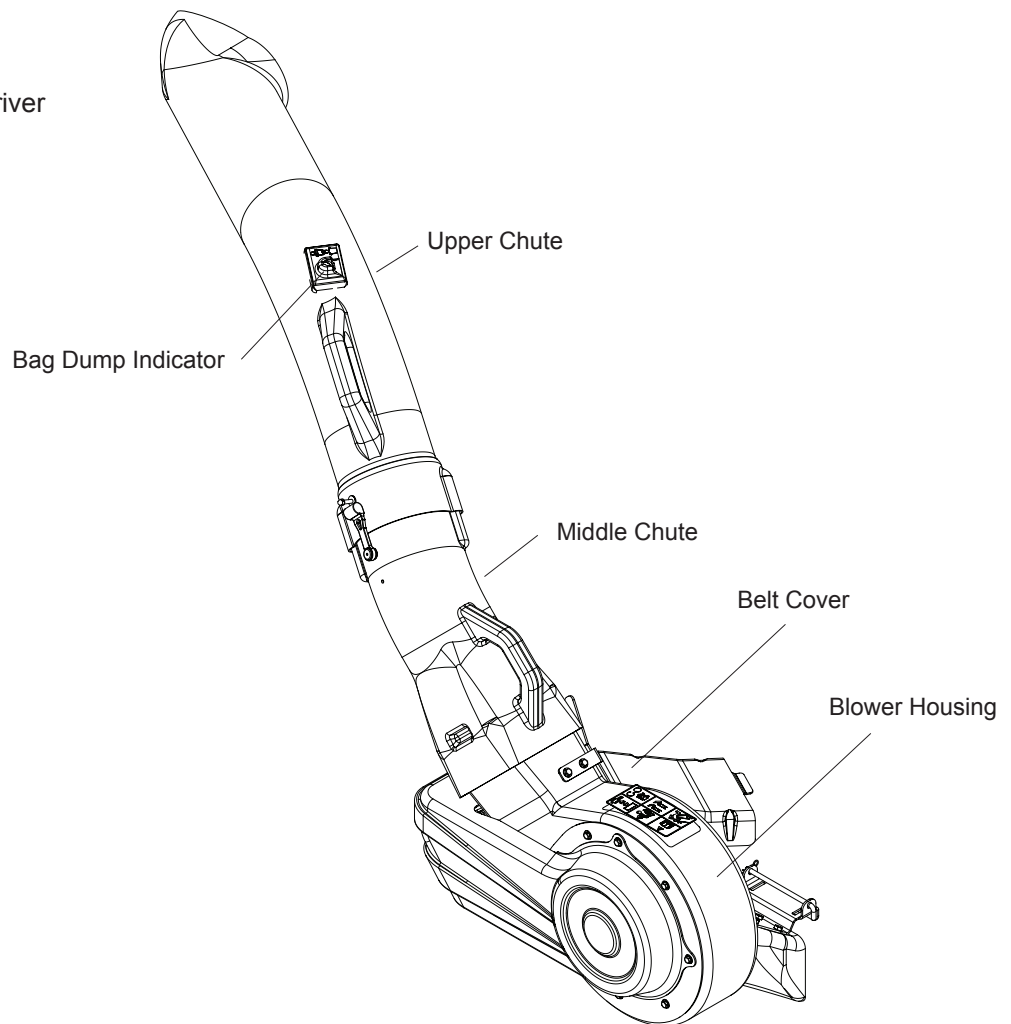
- Remove all parts and packing materials from carton.

## TOOLS REQUIRED

- $\frac{7}{16}$ " Wrench or ratchet and socket
- $\frac{1}{2}$ " Wrench or ratchet and socket
- $\frac{7}{8}$ " Socket
- Torque Wrench
- Phillips Head Screwdriver
- Hacksaw
- Pliers

## CONTAINER CONTENTS

- Blower Assembly
- Belt Shield
- Mounting Bracket
- Drive Pulley
- Belt
- Bag of Hardware



**NOTE:** When right hand (R.H.) and left hand (L.H.) are mentioned in this manual, it means when you are seated on the mower in the operator's position.



### CAUTION

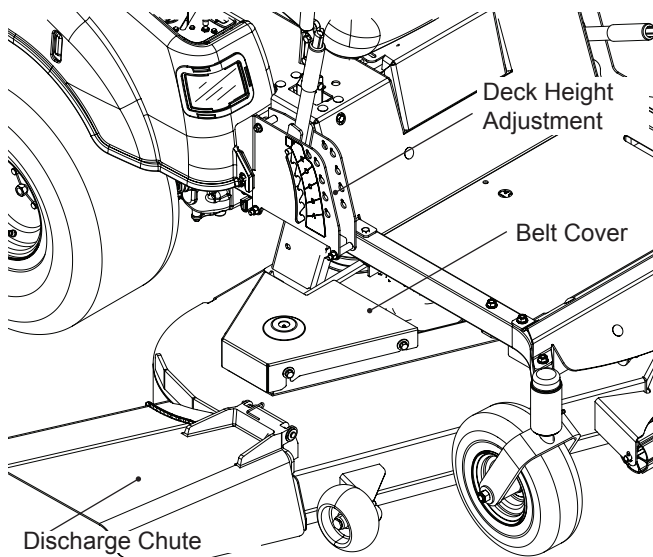
#### BEFORE ASSEMBLING GRASS CATCHER TO MOWER:

- Set parking brake.
- Place motion control levers in "NEUTRAL" position.
- Turn ignition key "OFF" and remove key.
- Make sure the blades and all moving parts have completely stopped.
- Disconnect spark plug and place wire where it cannot come in contact with plug.

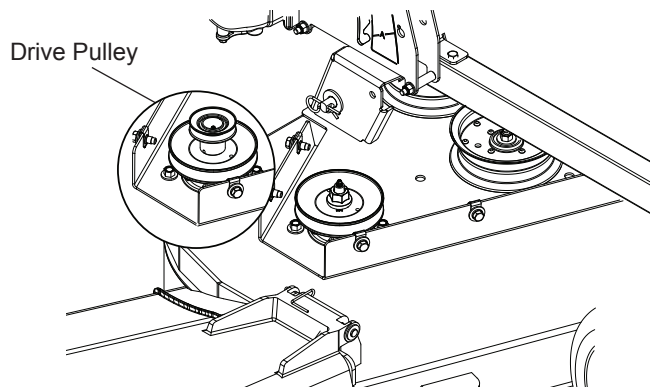
# ASSEMBLY

## 1 INSTALLING DRIVE PULLEY

1. Remove the discharge chute from the deck. (Deck configuration will vary by size and model)
2. Lower deck to the lowest cutting position.
3. Remove the right hand (discharge side) belt cover from the deck.
4. Relieve the tension from the deck belt and remove from the center deck pulley.  
(See Operator's Manual if necessary)

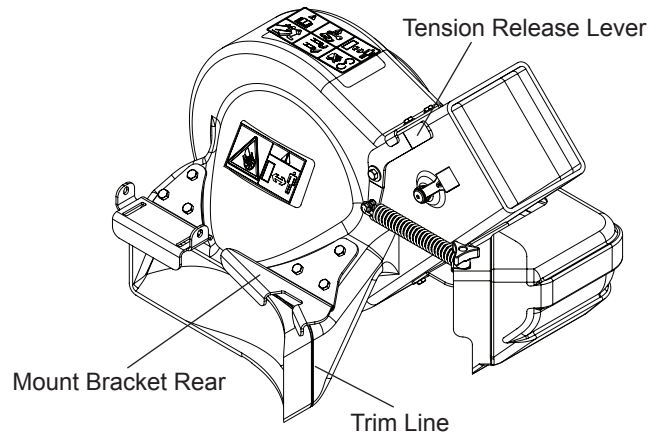


5. Remove the nut securing the right hand deck pulley to the spindle.
6. Install drive pulley included in collection system kit on top of the current deck pulley.
7. Reinstall the nut on the spindle and torque to 55-75 ft/lbs.
8. Reinstall the deck belt.



## 2 TRIMMING BLOWER

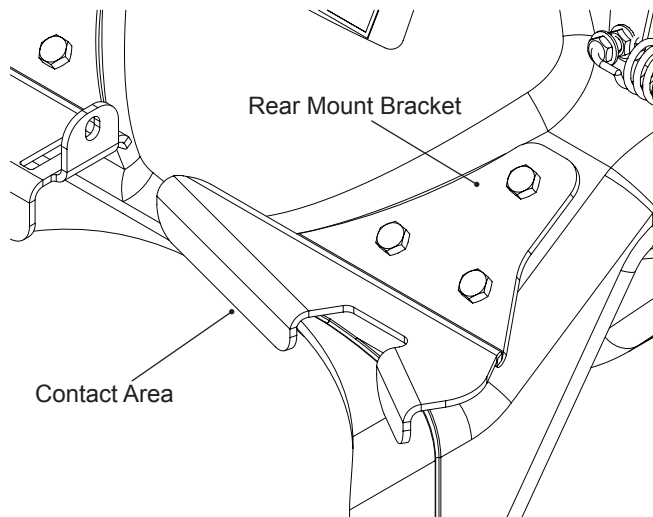
1. Place blower assembly on secure table or stable surface.
2. Remove the bolts securing the rear mount bracket.
3. Using the hacksaw, trim the blower housing along the recessed grooves.
4. Reinstall the rear mount bracket with previously removed bolts.



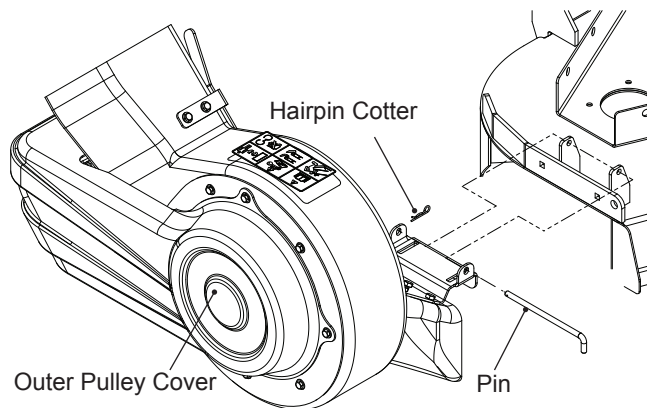
# ASSEMBLY

## 3 MOUNTING BLOWER ASSEMBLY

1. Position blower over the discharge tabs on the deck and set blower onto the deck.
2. Be sure the blower is sitting flush against the outside of the deck.

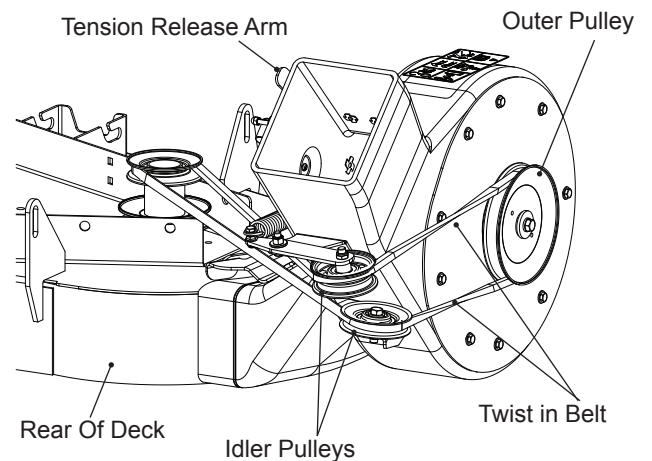


3. Install the front mount bracket to the deck with the pin and hairpin cotter supplied with the kit.



## 4 INSTALLING DRIVE BELT

1. Make sure the tension release lever is forward or disengaged.
2. Place the belt over the pulley on the deck. Refer to illustration for proper routing.
3. Move the tension release arm to the rear and engage in the latch.

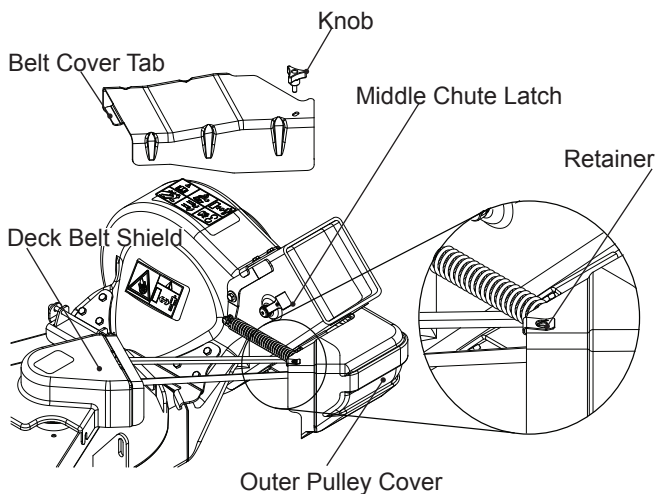




# ASSEMBLY

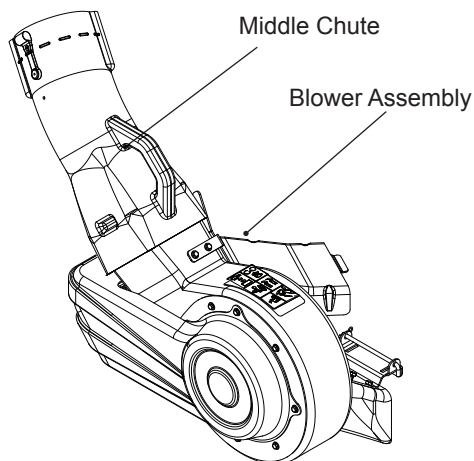
## 5 INSTALLING BELT COVERS

1. Place the deck belt shield on the deck over the drive pulley and secure with hardware removed from steel belt shield.
2. Place retainer on the outer pulley cover.
3. Align the tab end of the belt cover into the slot on the deck belt shield and the other end over the end of the outer pulley cover.
4. Secure with knob.



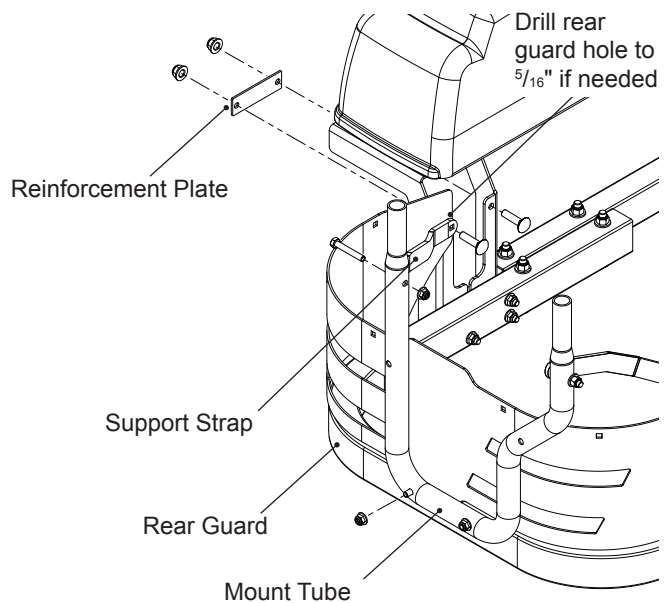
## 6 INSTALLING MIDDLE CHUTE

1. Place middle chute over the top end of the blower assembly.
2. Latch middle chute to blower assembly.



## 7 INSTALLING BAGGER MOUNT

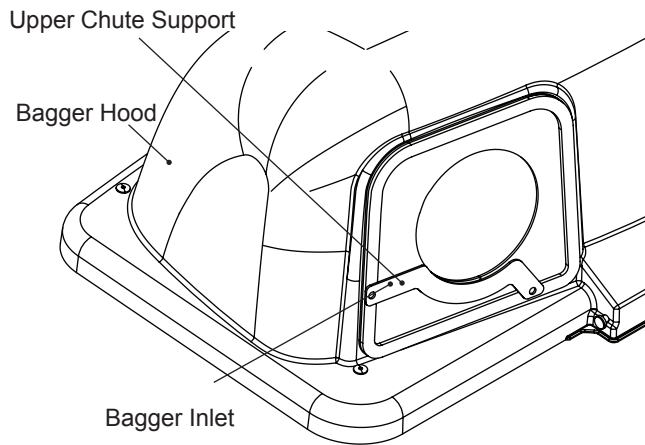
1. Install the bagger mount tube to the rear guard with  $\frac{5}{16}$ -18 x  $3\frac{1}{4}$  bolts and flange nuts from kit. **NOTE:** Depending on model, rear guard hole may need to be drilled out to  $\frac{5}{16}$ " if kit hardware is too large.
2. Install kit support straps on the outside of the mount tube as shown in the illustration. Using a  $\frac{5}{16}$ -18 x  $1\frac{1}{4}$  bolt, attach the front side of the strap to the fender support. Do not add flange nut at this time. Place the reinforcement plate to the outside of the fender support. Secure with additional  $1\frac{1}{4}$  bolt and fasten both bolts with flange nuts. Repeat steps on opposite side. **NOTE:** The front side of the kit support straps should be on the inside of the mower frame.
3. Tighten all hardware.



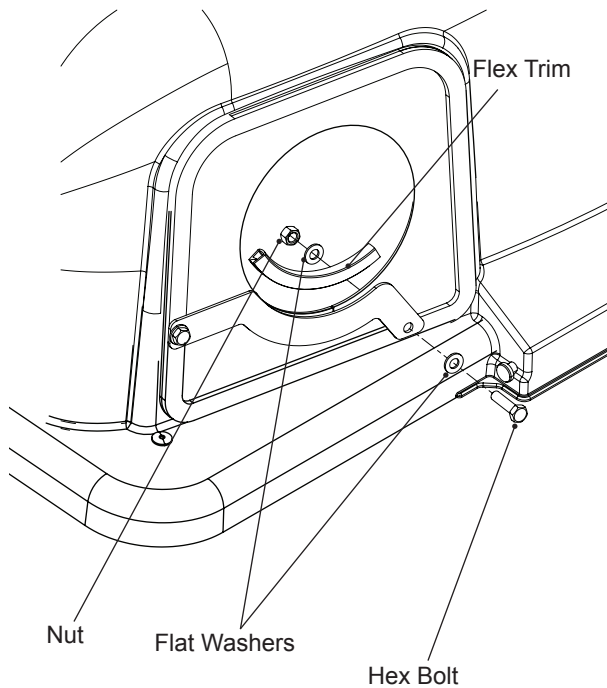
# ASSEMBLY

## 8 INSTALLING CHUTE SUPPORT

1. Position upper chute support against bagger inlet, flush at outer edges. See Illustration.
2. Using support as a template, drill two  $\frac{3}{8}$  holes into bagger hood.



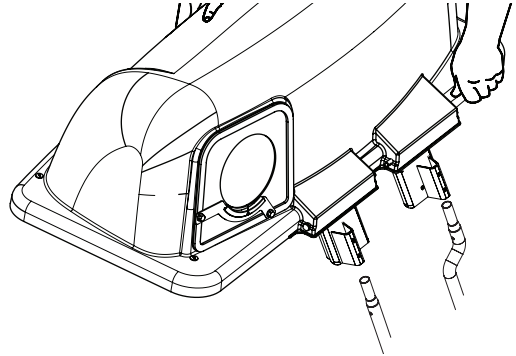
3. Secure upper chute support to hood with hex bolts, washers and nyloc nuts.



## 9 MOUNTING COVER ASSEMBLY

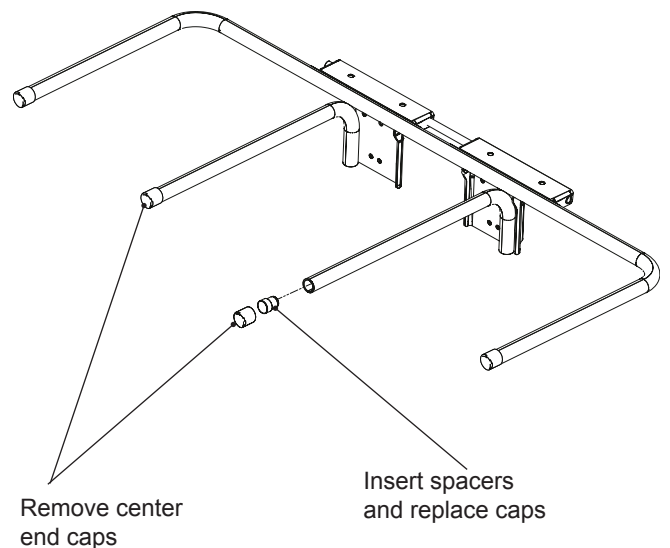
**NOTE:** Assistance from another person may ease mounting the cover assembly to mower.

1. Lift and rotate cover to align the cover brackets with support assembly tubes.
2. Slide the cover down over the support tubes until secure.



## 10 INSTALLING SPACER PLUGS

1. Remove plastic end caps from the center two bag support arms. Fully insert spacer plugs into the ends of the support tubes. It may be necessary to tap the spacers into place with a hammer or mallet. Replace the plastic end cap back over the spacer. The additional extension will hold the hood more securely when latched.



# OPERATION

## TIPS FOR IMPROVED BAGGING

Follow the mower operation instructions in your mower operator's manual.

When operating your grass catcher on a lawn where grass and leaf bagging equipment has not been used, you are picking up thatch and debris that has accumulated for long periods of time. The amount collected and the total time of operation may be greater than you will experience with regular use of your grass catcher.

- Always run throttle at full speed when bagging.
  - Select a speed low enough to give good mower cutting performance, good quality cut and good bagging performance.
- NOTE: It may be necessary to overlap width of cut to suit your conditions.*
- If grass is extremely tall, it should be mowed twice. The first time relatively high, the second time to desired height.

- Use left hand side of mower for trimming.
- Plastic trash bags (3.0 mil, 30 gallon) can be inserted inside grass catcher containers for ease of debris disposal. To remove the plastic trash bags when full:
  - a. Disengage blades, shift into neutral, engage the parking brake and stop the engine.
  - b. Unlatch and raise cover.
  - c. Remove one container at a time by grasping container handles and pulling toward the rear, off of the tube rails.
  - d. With the container resting on the ground, close and secure the top of the plastic lawn bag.
  - e. Tip the container on its side and slide the filled bag from the container.
  - f. Install a new plastic lawn bag with the edges of the bag draped over upper lip of the Container (for replacement bags refer to REPLACEMENT PARTS).
  - g. Repeat for other container.
  - h. Reinstall containers making sure right container overlaps left container at center supports.
  - i. Close cover and secure latches over center support tubes.
- Avoid cutting wet grass or in the morning while the dew is still heavy. Grass clippings collected under these conditions tend to be sticky and adhere to the walls of the flow path causing clogging.

- If the grass catcher fails to pick up cut grass or leaves, it is an indication that clogging has occurred in the system or that the grass catcher containers are full.
  - a. Disengage blades, place motion control levers in neutral position.
    - Unlatch and raise cover.
    - Slide out containers and dispose of clippings.
    - Replace containers, close cover, and latch.
  - b. Unlatch chutes and check for clogging.
    - Remove all debris in chute.
    - Reassemble and latch chutes.

## GENERAL RECOMMENDATIONS

Always observe safety rules when performing any maintenance.

- Before each use check for loose fasteners.
- Clean unit thoroughly after each use.

## BLADE CARE

For best results mower blades must be kept sharp. Replace bent or damaged blades.

- See BLADE CARE instructions in your mower operator's manual.



### CAUTION

#### BEFORE PERFORMING MAINTENANCE, SERVICE OR ADJUSTMENTS:

- **Set parking brake.**
- **Place motion control levers in "NEUTRAL" position.**
- **Place clutch control in "DISENGAGED" position.**
- **Turn ignition key to "OFF" position.**
- **Make sure blades and all moving parts have completely stopped.**
- **Disconnect spark plug wire(s) from spark plug(s) and place wire where it cannot come in contact with plug.**

# OPERATION

---

## STORAGE

When grass catcher is to be stored for a period of time, clean it thoroughly, remove all dirt, grass, leaves, etc. Store in a clean, dry place.



### CAUTION

- **DO NOT** operate mower with grass catcher partially installed.
- **Disengage blades and stop engine before leaving mower seat to empty containers, unclogging chutes, etc.**
- **Close cover before starting.**
- **Disengage mower blades when crossing driveways or gravel surfaces and other areas where thrown objects could be a hazard.**
- **DO NOT** attempt to vacuum cans or other potentially hazardous projectiles.



### CAUTION

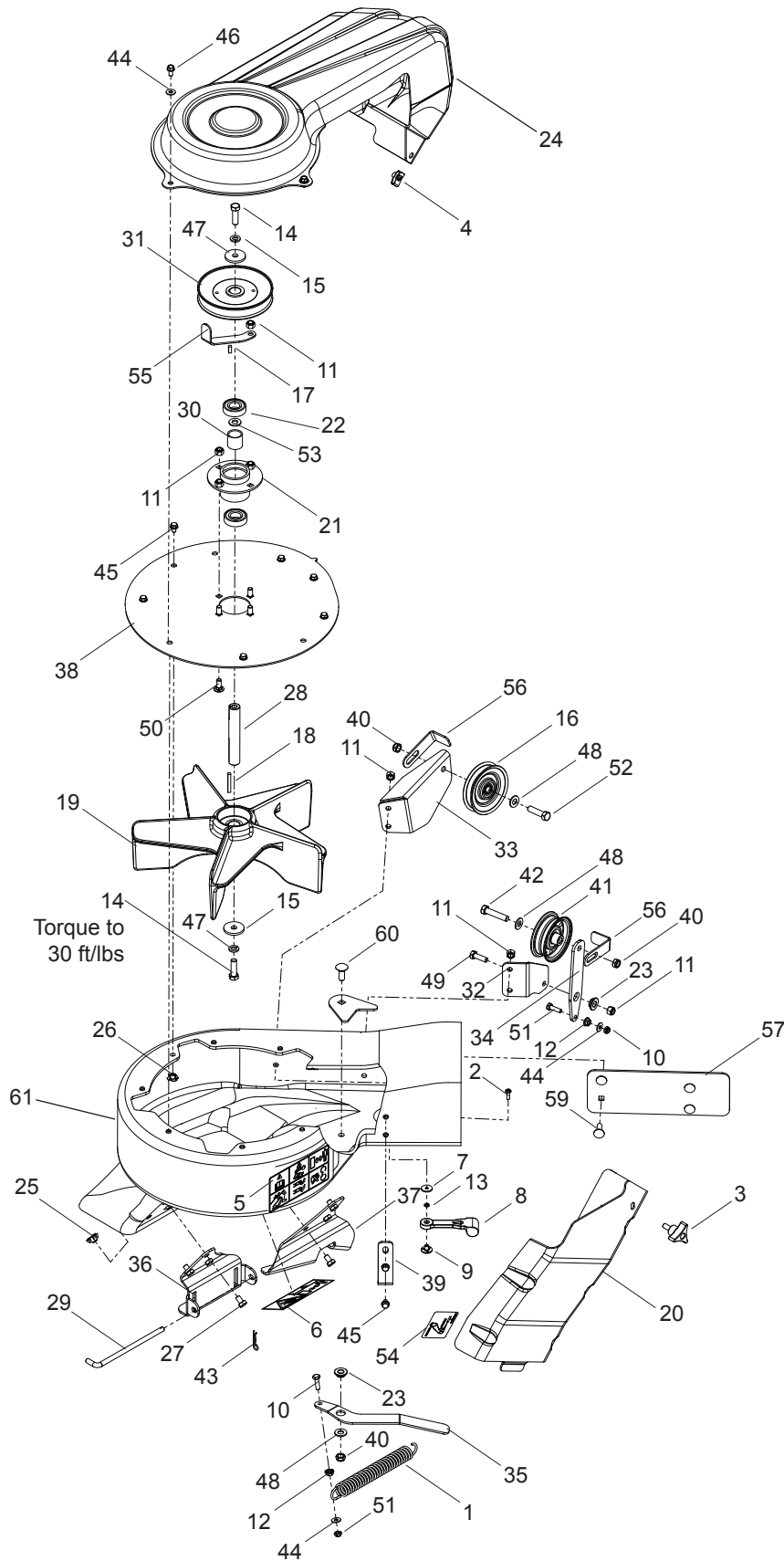
**Do not leave grass in bagger containers. Empty containers after each use and before storing. Failure to do so may result in spontaneous combustion which could develop into a fire.**



### CAUTION

**Grass catcher components are subject to wear, damage and deterioration, which could expose moving parts or allow objects to be thrown. Frequently check components and replace with manufacturer's recommended parts, when necessary.**

# REPAIR PARTS



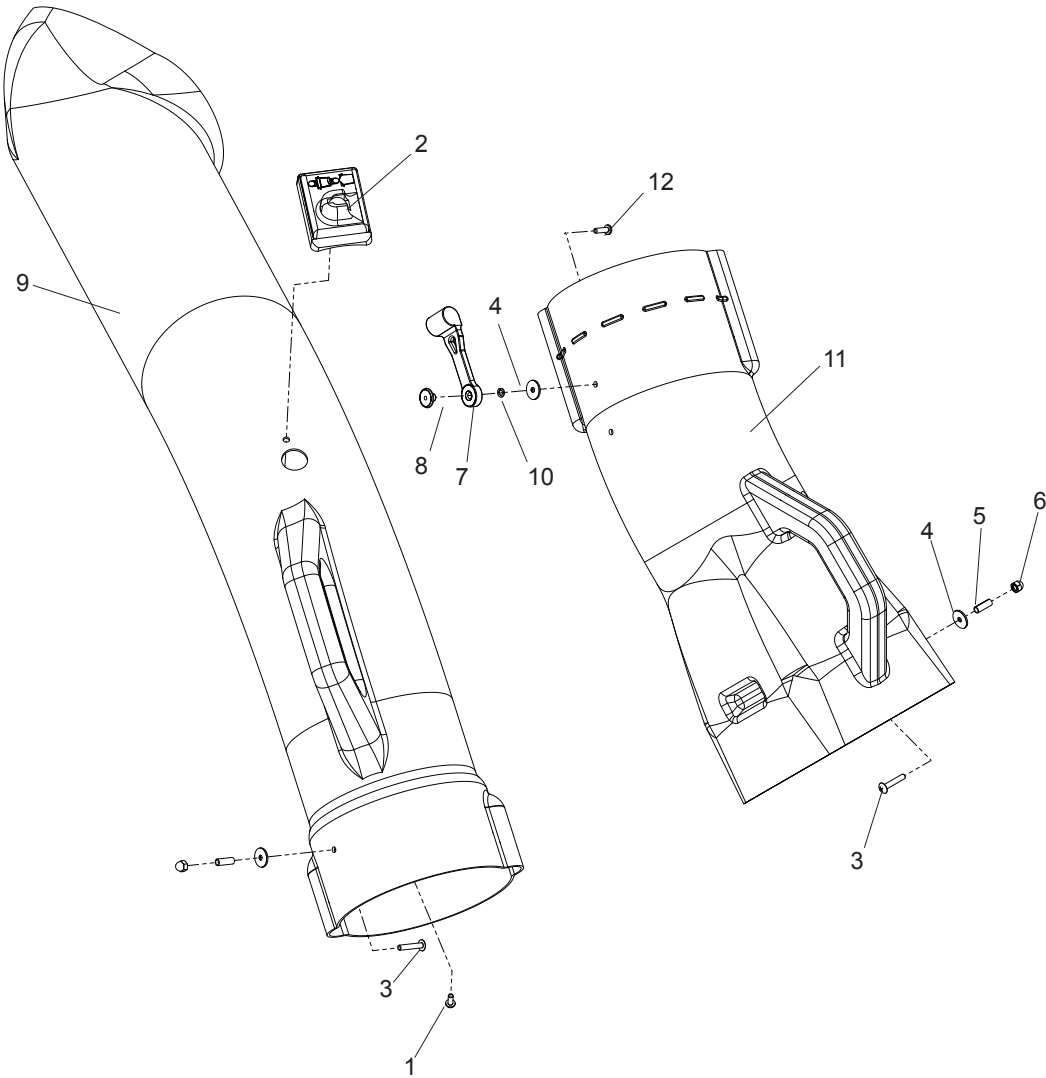
# REPAIR PARTS

---

ITEM	PART NO.	QTY.	DESCRIPTION	ITEM	PART NO.	QTY.	DESCRIPTION
1..	539 101977....	1....	TRACTION SPRING	32..	539 130335....	1....	MOUNT, IDLER, UPPER
2..	539 976952....	1....	SCREW 10-24 x .625 RD	33..	539 130336....	1....	MOUNT, IDLER, LOWER
3..	539 104411....	1....	KNOB W/STUD	34..	539 130337....	1....	ARM, IDLER
4..	539 104763....	1....	RETAINER U TYPE	35..	539 130338....	1....	ARM, TENSION
5..	539 105785....	1....	DECAL, WARNING	36..	539 130339....	1....	BRACKET, MOUNT, FRONT
6..	539 106741....	1....	DECAL, SEVERING	37..	539 130340....	1....	BRACKET, MOUNT, REAR
7..	539 108084....	1....	WASHER, $\frac{3}{16}$ x $\frac{3}{4}$ x 16 GA	38..	539 130341....	1....	PLATE, OUTER
8..	539 108088....	1....	LATCH, HOOD	39..	539 130346....	1....	KEEPER
9..	539 108089....	1....	WELD NUT, PLATED	40..	539 200282....	3....	NUT $\frac{3}{8}$ -16 HEX JAM NYLOC
10..	539 108120....	2....	NUT $\frac{1}{4}$ -20 HEX NYLOC	41..	539 919078....	1....	PULLEY, IDLER
11..	539 990717....	5....	NUT $\frac{5}{16}$ -18 HEX NYLOC	42..	539 976949....	1....	HCS $\frac{3}{8}$ -16 x $1\frac{3}{4}$
12..	539 108735....	2....	NUT $\frac{1}{4}$ -20 HEX FLANGE	43..	539 976988....	1....	HAIRPIN COTTER
13..	539 109552....	2....	WASHER $\frac{3}{16}$ LOCK	44..	539 990055..	13....	WASHER $\frac{1}{4}$ FLAT SAE
14..	539 110321....	2....	BOLT, HEX $\frac{3}{8}$ -24 x $1\frac{1}{4}$ GR 8	45..	539 990302....	8....	SCREW $\frac{1}{4}$ x $\frac{3}{8}$ THRD FRM
15..	539 110323....	2....	WASHER, HARDENED	46..	539 108461....	3....	HCS $\frac{1}{4}$ -20 x $\frac{1}{2}$
16..	539 113683....	1....	V-IDLER	47..	539 990118....	2....	WASHER $\frac{3}{8}$ SPLT LOCK
17..	539 115667....	1....	KEY $\frac{3}{16}$ x $\frac{1}{2}$	48..	539 990122....	3....	WASHER $\frac{3}{8}$ SAE FLT
18..	539 125229....	1....	KEY $\frac{3}{16}$ x $1\frac{1}{2}$	49..	539 990209....	1....	HCS $\frac{5}{16}$ -18 x 1
19..	539 130292....	1....	IMPELLER	50..	539 990316....	4....	RHSNB $\frac{5}{16}$ -18 x $\frac{3}{4}$
20..	539 130293....	1....	COVER, BELT	51..	539 990643....	2....	HCS $\frac{1}{4}$ -20 x $\frac{7}{8}$
21..	539 130295....	1....	HUB, BEARING	52..	539 990655....	1....	HCS $\frac{3}{8}$ -16 x $1\frac{1}{2}$
22..	539 130296....	2....	BEARING	53..	539 910935....	1....	WASHER
23..	539 130301....	2....	BUSHING	54..	539 130349....	1....	DECAL, BELT ROUTING
24..	539 130309....	1....	COVER, OUTER PULLEY	55..	539 131085....	1....	KEEPER, BELT, OUTER
25..	539 130313....	6....	NUT $\frac{5}{16}$ -18 TEE	56..	539 131087....	2....	KEEPER, BELT, REAR
26..	539 130314....	11....	NUT $\frac{1}{4}$ -20 TEE	57..	539 132122....	1....	PLATE, BACKING
27..	539 130315....	6....	HCS $\frac{5}{16}$ -18 x $\frac{1}{2}$	58..	539 132124....	1....	PLATE, BACKING
28..	539 130316....	1....	SHAFT, IMPELLER	59..	539 990208....	4....	RHSNB $\frac{5}{16}$ -18 x 1
29..	539 130317....	1....	PIN	60..	539 990645....	1....	RHSNB $\frac{3}{8}$ -16 x 1
30..	539 130323....	1....	SPACER	61..	539 130344....	1....	HOUSING w/DECALS
31..	539 130324....	1....	PULLEY				

NOTE: ALL FASTENERS ARE GRADE 5 UNLESS OTHERWISE SPECIFIED.

# REPAIR PARTS



# REPAIR PARTS

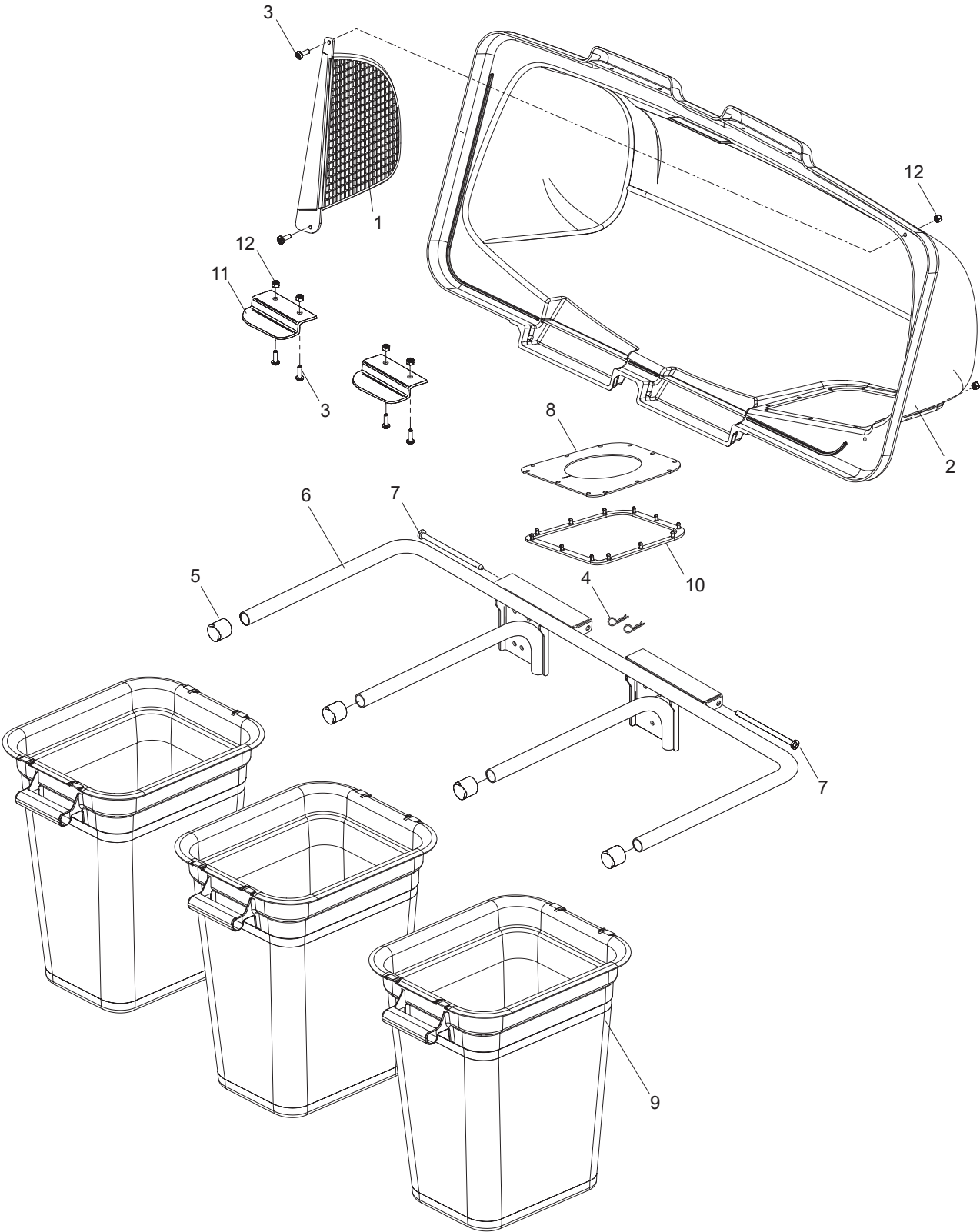
---

ITEM	PART NO.	QTY.	DESCRIPTION	ITEM	PART NO.	QTY.	DESCRIPTION
1..	539 108081....	1....	SCREW, SPEC 10-14 x 1/2	7..	539 108088....	1....	LATCH, HOOD
2..	539 108082....	1....	INDICATOR, BAG DUMP	8..	539 108089....	1....	WELD NUT, PLATED
3..	539 108083....	2....	SCREW 10-24 x 1 1/8	9..	522 739201....	1....	CHUTE, UPPER
4..	539 108084....	3....	WASHER 3/16 x 3/4	10..	539 109552....	2....	WASHER 3/16 LOCK
5..	539 108085....	2....	SPACER, SPLIT	11..	539 130294....	1....	CHUTE, MIDDLE
6..	539 108086....	2....	NUT, ACORN 10-24	12..	539 976952....	1....	SCREW 10-24 x .625 MACH

NOTE: ALL FASTENERS ARE GRADE 5 UNLESS OTHERWISE SPECIFIED.



# REPAIR PARTS



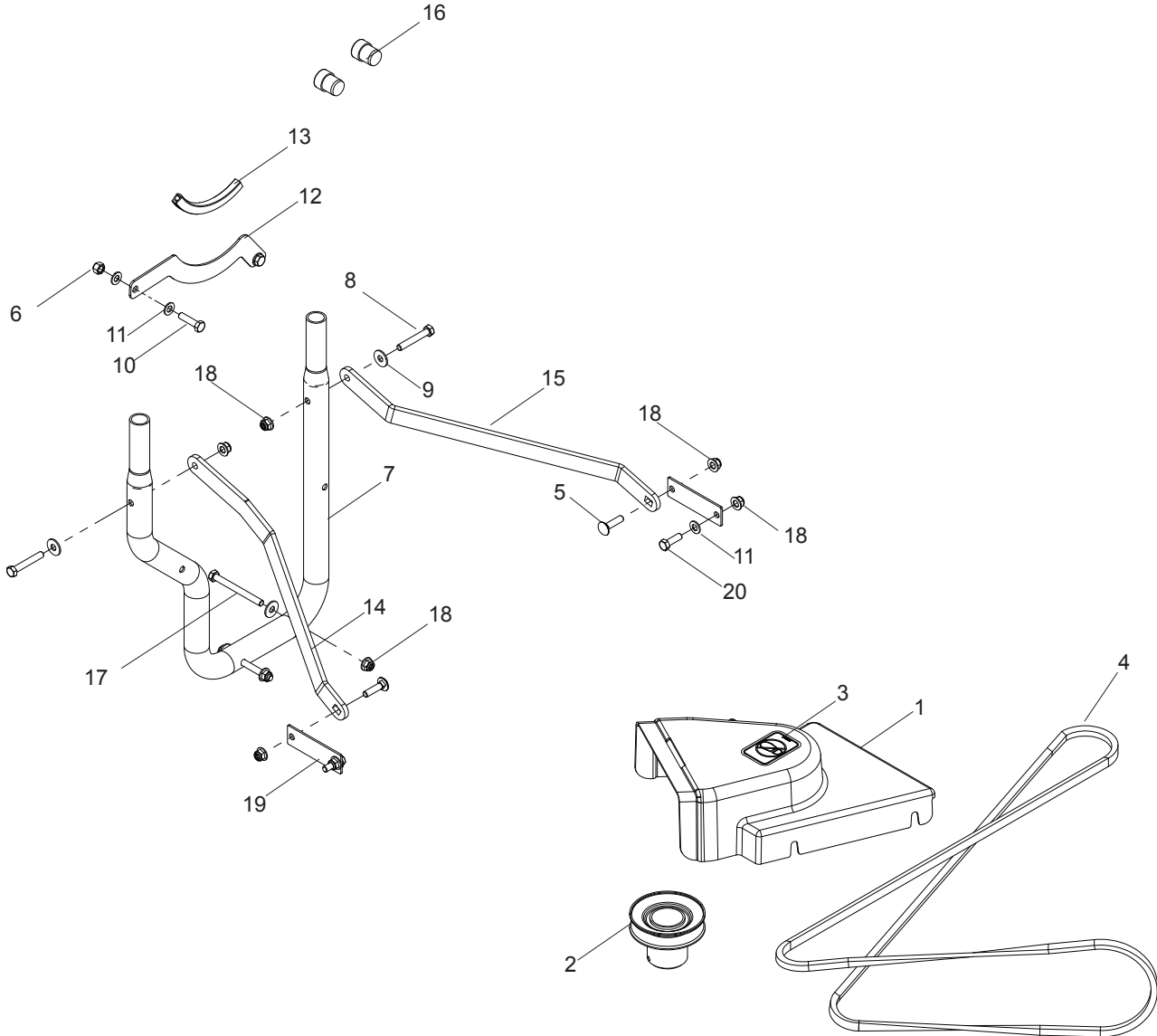
# REPAIR PARTS

---

ITEM	PART NO.	QTY.	DESCRIPTION	ITEM	PART NO.	QTY.	DESCRIPTION
1..	532 192709....	1....	SCREEN, COVER	7..	532 192786....	2....	PIN, HINGE
2..	532 195373....	1....	COVER	8..	532 192550....	1....	SEAL, COVER
3..	539 976952....	6....	SCREW #10-24 x 5/8	9..	532 400226....	3....	CONTAINER, SOFT BAG
4..	539 108096....	2....	HAIR PIN	10..	532 192603....	1....	GASKET, COVER
5..	539 108097....	4....	PLUG, TUBING END	11..	532 130895....	2....	HANDLE, BAGGER COVER
6..	532 176990....	1....	BAGGER, FRAME	12..	539 976977..	14....	NUT #10-24 CROWNLOCK

NOTE: ALL FASTENERS ARE GRADE 5 UNLESS OTHERWISE SPECIFIED.

# REPAIR PARTS



# REPAIR PARTS

---

ITEM	PART NO.	QTY.	DESCRIPTION	ITEM	PART NO.	QTY.	DESCRIPTION
1..	539 130308....	1....	SHIELD, BELT	11..	539 990188....	6....	WASHER <sup>5</sup> / <sub>16</sub> SAE FLAT
2..	539 130321....	1....	PULLEY	12..	539 110234....	1....	SUPPORT, HOSE
3..	539 105743....	1....	DECAL, NO STEP	13..	539 112294....	1....	FLEX TRIM, BLACK
4..	539 130348....	1....	BELT	14..	523 084902....	1....	STRAP, SUPPORT, RT
5..	539 100472....	2....	RHSNB <sup>5</sup> / <sub>16</sub> -18 x 1 <sup>1</sup> / <sub>4</sub>	15..	523 084702....	1....	STRAP, SUPPORT, LT
6..	539 990717....	2....	NUT <sup>5</sup> / <sub>16</sub> -18 HEX NYLOC	16..	522 801301....	2....	SPACER PLUG
7..	539 131091....	1....	TUBE, MOUNT	17..	539 101520....	2....	HCS <sup>5</sup> / <sub>16</sub> -18 x 3 <sup>1</sup> / <sub>4</sub>
8..	539 976937....	2....	HCS <sup>5</sup> / <sub>16</sub> -18 x 2	18..	539 112899....	8....	NUT <sup>5</sup> / <sub>16</sub> -18 HEX FLG NYLOC
9..	539 990692....	4....	WASHER <sup>5</sup> / <sub>16</sub> STD FLT	19..	523 112802....	2....	PLATE, REINFORCEMENT
10..	539 990627....	2....	HCS <sup>5</sup> / <sub>16</sub> -18 x 1 <sup>1</sup> / <sub>4</sub>	20..	539 990209....	2....	HCS <sup>5</sup> / <sub>16</sub> -18 x 1

NOTE: ALL FASTENERS ARE GRADE 5 UNLESS OTHERWISE SPECIFIED.



# HUSQVARNA PRODUCT REGISTRATION INFORMATION & WARRANTY STATEMENT

All Husqvarna products can be registered online at [www.usa.husqvarna.com](http://www.usa.husqvarna.com) quickly and easily regardless of their model year. Click the Support tab, then click on the Online Product Registration link, and fill out the electronic form and submit. Ask about Husqvarna's extended service plan!

## SECTION 1: LIMITED WARRANTY

Husqvarna Professional Products, Inc ("Husqvarna") warrants the original purchaser the Husqvarna branded product to which this warranty apply (the "Product") that the Product shall be free from defects in material and workmanship from the date of purchase for the period of the applicable "Warranty Schedule" of the Product as set forth below. Additional limitations are described in Section 2 through 6, inclusive.

PRODUCT CATEGORY	CONSUMER WARRANTY SCHEDULE*	COMMERCIAL / PROFESSIONAL WARRANTY SCHEDULE	RENTAL WARRANTY SCHEDULE
<b>Reconditioned Products:</b> Reconditioned chainsaws, trimmers, brushcutters, clearing saws, handheld blowers, backpack blowers, hedge trimmers, and electrical products.	90 Days	N/A	N/A
<b>Chain Saws</b> Lifetime Ignition Warranty (Parts Only). One Year Conditional Crankshaft Warranty for Commercial/Professional use when operated with Husqvarna XP 2 cycle oil (Parts & Labor).	2 Years	90 Days	90 Days
<b>100 Series Trimmers, Stick Edgers, Hedge Trimmers</b> Lifetime Ignition Warranty (Parts Only). Lifetime Shaft Warranty.	2 Years	1 Year	90 Days
<b>200 &amp; 300 Series Trimmers, Brushcutters, Clearing Saws, Stick Edgers, Hovering Trimmers &amp; Hedge Trimmers</b> Lifetime Ignition Warranty (Parts Only) and Lifetime Shaft Warranty apply to these products (excludes Hovering Trimmers).	2 Years	1 Year	90 Days
<b>Blowers</b> (Lifetime Ignition Warranty - Parts Only)	2 Years	2 Years	90 Days
<b>Pole Pruners, Pole Saws, Pole Hedge Trimmers</b> (Lifetime Ignition Warranty - Parts Only)	1 Year	1 Year	90 Days
<b>Residential Walk-Behind Mowers, Tillers, LE389 Edger †</b>	2 Years	N/A	N/A
<b>LE475 Edger †</b>	2 Years	90 Days	90 Days
<b>LT, LTH, LS, XLS, GLS, YT, YTH, GT, GTH, 16H, Pro15, 155 ProFlex Series Lawn &amp; Garden Riders and Residential Zero Turn Mowers †</b>	2 Years	N/A	N/A
<b>MZ and EZ Series Zero Turn Riders †</b>	3 Years or 600 Hours	1 Year or 600 Hours	90 Days
<b>iZ, LZ, BZ Series Zero Turn Riders †</b> (Applies to units factory-equipped with Roll Over Protection System.)	5 Years or 1,500 Hours	5 Years or 1,500 Hours	90 Days
<b>Commercial Walk Mowers †</b> (includes 21" & wide area)	3 Years	3 Years	90 Days
<b>Commercial Turf Specialty Equipment †</b>	1 Year	1 Year	1 Year
<b>Zero Turn &amp; Commercial Turf Specialty Attachments</b>	2 Years	1 Year	90 Days
<b>Power Cutters</b> (Lifetime Ignition Warranty - Parts Only)	1 Year	90 Days 1 Year (K750 only)	90 Days
<b>Automatic Mower</b> (1 Year Battery Warranty)	2 Years	90 Days	90 Days
<b>Snow Throwers †</b>	2 Years	90 Days	90 Days
<b>Pressure Washers †</b>	2 Years	2 Years (Excludes 5525PW)	N/A
<b>Generators</b> (Husqvarna's warranty does not cover Engine & Generator Parts, which are warrantied by responsible manufacturer.) †	2 Years (2 <sup>nd</sup> Year Parts Only)	2 Years – 1365GN only (2 <sup>nd</sup> Year Parts only)	N/A
<b>Grass Catchers &amp; Bumpers Purchased with New Units</b>	Same Warranty As Unit When Purchased with Unit		
<b>Spreaders</b>	1 Year		
<b>Parts &amp; Accessories Purchased Separately</b>	30 days		
<b>Husqvarna Utility Vehicles**</b> (Engines/transmissions shall be warrantied through Husqvarna.)	2 Year or 2,000 Hour Powertrain & 1 Year or 1,000 Hour Body Warranty		
<b>HUV Batteries: 4210E Versions</b>	4 Year Pro-rated		
<b>Husqvarna Safety Apparel***</b>	90-day		
<b>Batteries**** (Consumer Products where applicable)</b>	1 year	N/A	
<b>Replacement Parts, Accessories including Bars and Chains, Tools and Display Items. Emission Control System Components necessary to comply with CARB-TIER II and EPA Regulations</b> (Excludes components which are part of engine systems manufactured by third part engine manufacturers for which the purchaser has received a separate warranty with product at time of purchase.)	30 Day Warranty		

† Refer to Section 3 for items not covered by this warranty

\*All consumer product use must have been limited to the owner's residence. Warranted for noncommercial, nonprofessional, noninstitutional and nonincome producing use.

\*\*HUV 2 Year or 2,000 Hour Powertrain (The engine assembly, unitized transaxle assembly (gasoline vehicle), motor, and main frame assembly are warranted with respect to parts and labor against defects in material and workmanship or a period of two years or 2000 hours of operation, whichever first occurs, from the date of purchase.) & **1 Year or 1,000 Hour Body Warranty** (All remaining components of the vehicle not specified otherwise and all other original equipment options and accessories supplied by Husqvarna are warranted with respect to parts and labor against defects in material and workmanship for a period of one year or 1000 hours of operation, whichever first occurs, from the date of purchase.)

HUV's Gas & Diesel Powered Battery: 0 – 6 months free replacement and 7 – 12 months prorated

HUV's Electric Powered – 4 year or 16,000 Energy Unit Limited Warranty Period

\*\*\*Husqvarna safety apparel warranty is from the date of the customer's original purchase for defects in material and workmanship. Normal wear, tear or abuse is not covered under warranty. All care and maintenance instructions must be followed as stated by the manufacturer on the care label. The fit of the protective apparel/boot is not covered under warranty.

\*\*\*\*Battery 1 Year prorated limited warranty with 100% replacement during the first 6 months.

**Lifetime Warranty (Parts and Labor):** All tiller tines and trimmer shafts against breakage. Proof of purchase required.

**Lifetime Warranty ("PARTS ONLY" after initial warranty expiration):** Ignition coils and modules on handheld product. Proof of purchase required.

## SECTION 2: HUSQVARNA'S OBLIGATIONS UNDER THE WARRANTY

Husqvarna will repair or replace defective components without charge for parts or labor if a component fails because of a defect in material or workmanship during the warranty period.

## SECTION 3: ITEMS NOT COVERED BY THIS WARRANTY

The following items are not covered by this warranty:

- (1) Normal customer maintenance items which become worn through normal regular use, including, but not limited to, belts, blades, blade adapters, bulbs, clutches, clutch drums, filters (fuel line, fuel filters, air filters, oil filters), sprockets, guide bars, lubricants, rewind springs, saw chain, spark plugs, starter ropes and tiller tines;
- (2) Natural discoloration of material due to ultraviolet light;
- (3) Engine and drive systems not manufactured by Husqvarna; these items are covered by the respective manufacturer's warranty as provided in writing with the product information supplied at the time of purchase; all claims must be sent to the appropriate manufacturer.
- (4) Lawn and garden attachments that are covered by a third party which gives a warranty, all claims for warranty should be sent to the manufacturer.
- (5) Commercial or consumer mowing decks with sand abrasion damage.
- (6) Emission Control System components necessary to comply with CARB-TIER II and EPA regulations which are manufactured by third party engine manufacturer.

## SECTION 4: EXCEPTIONS AND LIMITATIONS

This warranty shall be inapplicable to defects resulting from the following:

- (1) Accident, abuse, misuse, negligence and neglect, including stale fuel, dirt, abrasives, moisture, rust, corrosion, or any adverse reaction due to incorrect storage or use habits;
- (2) Failure to operate or maintain the unit in accordance with the Owner's/Operator's manual or instruction sheet furnished by Husqvarna;
- (3) Alterations or modifications that change the intended use of the product or affects the product's performance, operation, safety, or durability, or causes the product to fail to comply with any applicable laws; or;
- (4) Additional damage to parts or components due to continued use occurring after any of the above.

REPAIR OR REPLACEMENT AS PROVIDED UNDER THIS WARRANTY IS THE EXCLUSIVE REMEDY OF THE PURCHASER. HUSQVARNA SHALL NOT BE LIABLE FOR ANY INCIDENTAL OR CONSEQUENTIAL DAMAGES FOR BREACH OF ANY EXPRESS OR IMPLIED WARRANTY ON THESE PRODUCTS EXCEPT TO THE EXTENT PROHIBITED BY APPLICABLE LAW. ANY IMPLIED WARRANTY OF MERCHANTABILITY OR FITNESS FOR A PARTICULAR PURPOSE ON THESE PRODUCTS IS LIMITED IN DURATION TO THE WARRANTY PERIOD AS DEFINED IN THE LIMITED WARRANTY STATEMENT. HUSQVARNA RESERVES THE RIGHT TO CHANGE OR IMPROVE THE DESIGN OF THE PRODUCT WITHOUT NOTICE, AND DOES NOT ASSUME OBLIGATION TO UPDATE PREVIOUSLY MANUFACTURED PRODUCTS.

Some states do not allow the exclusion of incidental or consequential damages, or limitations on how long an implied warranty lasts, so the above limitations or exclusions may not apply to you. This warranty gives you specific legal rights, and you may also have other rights which vary by state.

## SECTION 5: CUSTOMER RESPONSIBILITIES

The product must exhibit reasonable care, maintenance, operation, storage and general upkeep as written in the maintenance section of the Owner's/Operator's manual. Should an operational problem or failure occur, the product should not be used. Failure caused by continued use is not covered by warranty. Product should be delivered, at owners expense, as is, to an authorized Husqvarna Servicing Retailer for evaluation. Proof of purchase, as explained in section 6, rests solely with the customer.

## SECTION 6: PROCEDURE TO OBTAIN WARRANTY CONSIDERATION

It is the Owner's and Retailer's responsibility to make certain that the Warranty Registration Card is properly filled out and mailed to Husqvarna. This card should be mailed within ten (10) days from the date of purchase in order to confirm the warranty and to facilitate post-sale service. Proof of purchase must be presented to the authorized Husqvarna retailer in order to obtain warranty service. This proof must include date purchased, model number, serial number, and complete name and address of the selling retailer. To obtain the benefit of this warranty, the product believed to be defective must be delivered to an authorized Husqvarna retailer in a timely manner, no later than thirty (30) days from date of the operational problem or failure. The product must be delivered at the owner's expense. Downtime, pick-up and delivery charges are not covered by this warranty. An authorized Husqvarna retailer can be located by calling 1-800-HUSKY-62 or visiting [www.husqvarna.com](http://www.husqvarna.com)

Subject to change without notice.

**HUSQVARNA 7349 Statesville Road, Charlotte, NC 28269**

IR  
Part Number 525 88 56-01

