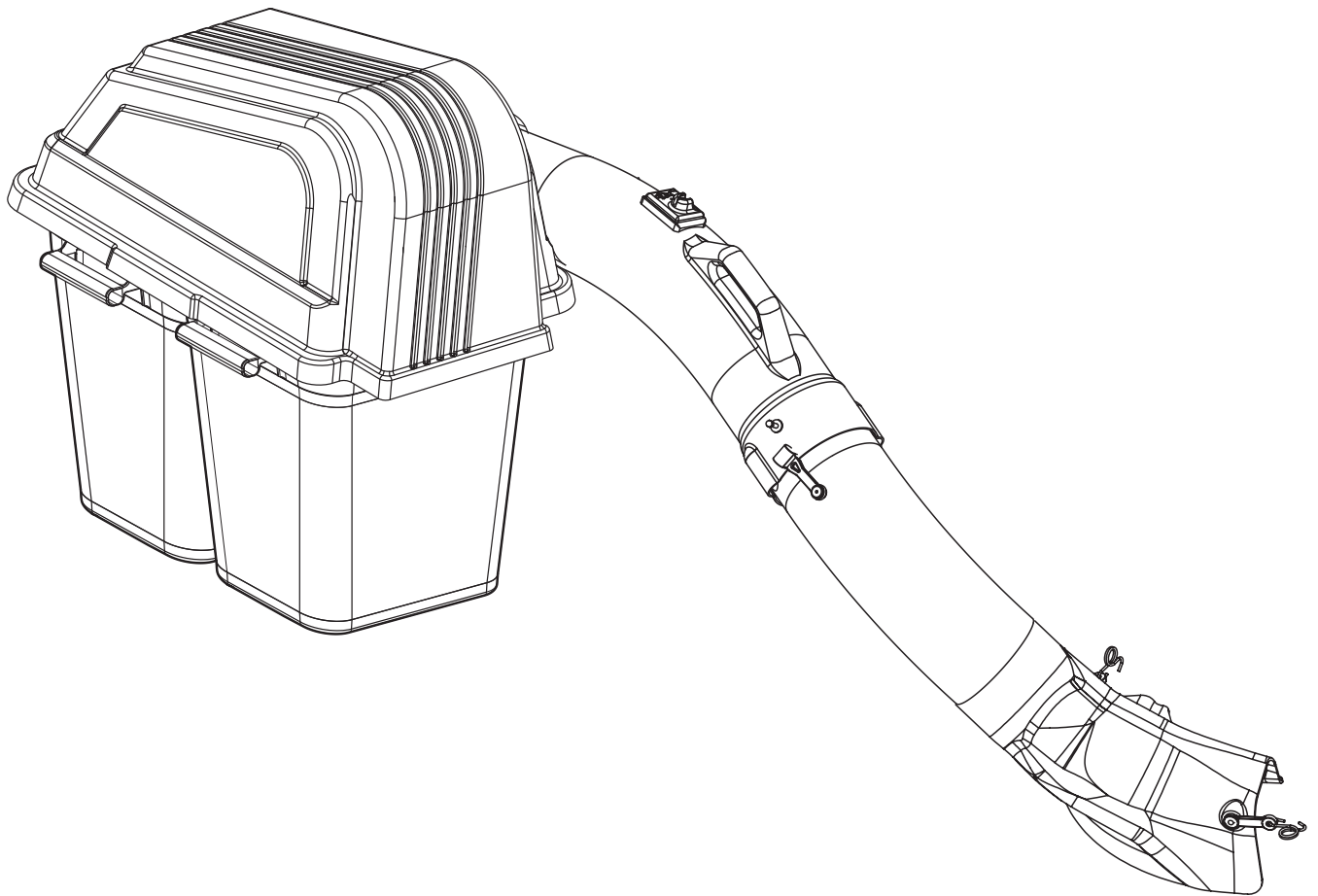




# Operator and Parts Manual



**Collection Kit**  
966476901

**NOTE:** When right hand (R.H.) and left hand (L.H.) are mentioned in this manual, it means when you are seated on the mower in the operator's position.



**CAUTION**

**BEFORE ASSEMBLING GRASS CATCHER TO MOWER**

- **Set parking brake.**
- **Place motion control levers in "NEUTRAL" position.**
- **Turn ignition key "OFF" and remove key.**
- **Make sure the blades and all moving parts have completely stopped.**
- **Disconnect spark plug and place wire where it cannot come in contact with plug.**

# CONTENTS

---

SAFETY RULES .....	4
GENERAL OPERATION .....	4
SLOPE OPERATION .....	4
CHILDREN.....	5
SERVICE.....	5
ASSEMBLY .....	7
OPERATION .....	11
TIPS FOR IMPROVED BAGGING.....	11
GENERAL RECOMMENDATIONS.....	11
REPAIR PARTS .....	12
STORAGE.....	16

**CONGRATULATIONS** on the purchase of a new collection system. It has been designed, engineered and manufactured to give the best possible dependability and performance.

Should you experience any problem that cannot be easily remedied, contact the nearest authorized service center/ department. They have competent, well-trained technicians and the proper tools for service and repairs.

Please read and retain this manual. The instructions will enable you to assemble and maintain the collection system properly. Always observe the **SAFETY RULES**.

## **KNOW YOUR BLOWER SYSTEM**

READ THIS OPERATOR MANUAL AND THE SAFETY RULES BEFORE ASSEMBLING OR OPERATING THE BLOWER SYSTEM. Compare the illustrations with the carton contents to familiarize yourself with the parts before starting the assembly. Study the operating instructions and safety precautions thoroughly to insure proper functioning of the Grass Catcher and to prevent injury to yourself and others. Save this manual for future reference.



### **WARNING!**

**Engine exhaust, some of its constituents, and certain vehicle components contain or emit chemicals known to the State of California to cause cancer and birth defects or other reproductive harm.**



**The operation of any mower can result in foreign objects thrown into the eyes, which can result in severe eye damage. ALWAYS wear safety glasses or eye shields before starting the mower and while mowing. Standard safety glasses are recommended or a wide vision safety mask for over spectacles.**

# SAFETY RULES

---



## SAFE OPERATION PRACTICES FOR RIDE-ON MOWERS



### DANGER !

THIS CUTTING MACHINE IS CAPABLE OF AMPUTATING HANDS AND FEET AND THROWING OBJECTS. FAILURE TO OBSERVE THE FOLLOWING SAFETY INSTRUCTIONS COULD RESULT IN SERIOUS INJURY OR DEATH.

### GENERAL OPERATION

- Read, understand and follow all instructions in the manual and on the machine before starting.
- Only allow responsible adults, who are familiar with the instructions, to operate the machine.
- Clear the area of objects such as rocks, stones, toys, wire etc., which could be picked up and thrown by the blades.
- Be sure the area is clear of all people and pets before mowing. Stop the machine if anyone enters the area.
- Never carry passengers or children even with blades off.
- Do not mow in reverse unless absolutely necessary. Always look down and behind before and while backing.
- Be aware of the mower discharge direction and do not direct it towards anyone. Do not operate the mower without either the entire grass catcher or the guard in place.
- Slow down before turning.
- Never leave the machine unattended when the engine is running. Always turn off the blades, set the parking brake, stop the engine and remove the key before leaving the machine.
- Turn off blades when not mowing.
- Stop engine before removing grass catcher or unclogging chute.
- Mow only in daylight or good artificial light.
- Do not operate the machine while under the influence of alcohol or drugs.
- Watch out for traffic when operating near or crossing roadways.
- Use extra care when loading and unloading the machine onto a trailer or truck.
- Data indicates that operators, age 60 years and above, are involved in a large percentage of riding mower-related injuries. These operators should evaluate their ability to operate the riding mower safely enough to protect themselves and others from serious injury.

- **DO NOT** operate mower with grass catcher, unless the front weights are installed.
- Keep machine free of grass, leaves or other debris buildup which can touch hot exhaust/engine parts and burn. Do not allow the mower deck to plow leaves or other debris which can cause buildup to occur. Clean any oil or fuel spillage before operating or storing the machine. Allow machine to cool before storage.

### SLOPE OPERATION

Slopes are a major factor related to loss-of-control and tip-over accidents, which can result in severe injury or death. All slopes require extra caution. If you cannot back up the slope or if you feel uneasy on it, do not mow it.

#### DO

- Mow up and down slopes (10° Max.), not across.
- Remove obstacles such as rocks, tree limbs, etc.
- Watch for holes, ruts, or bumps. Uneven terrain could overturn the machine. **Tall grass can hide obstacles.**
- Use slow speed. Choose a low speed so that you will not have to stop while on the slope.
- Use extra care with grass catchers or other attachments. These can change the stability of the machine.
- Keep all movement on the slopes **slow** and **gradual**. Do not make sudden changes in speed or direction.
- Avoid starting or stopping on a slope. If tires lose traction, disengage the blades and proceed slowly **straight** down the slope.

#### DO NOT

- **Do not** turn on slopes unless necessary, and then, turn slowly and gradually downhill, if possible.
- **Do not** mow near drop-off, ditches, or embankments. The mower could suddenly turn over if a wheel is over the edge of a cliff or ditch, or if an edge caves in.

# SAFETY RULES



## SAFE OPERATION PRACTICES FOR RIDE-ON MOWERS



- **Do not** mow on wet grass. Reduced traction could cause sliding.
- **Do not** try to stabilize the machine by putting your foot on the ground.

### CHILDREN

Tragic accidents can occur if the operator is not alert to the presence of children. Children are often attracted to the machine and the mowing activity. Never assume that children will remain where you last saw them.

- **NEVER allow children to operate the machine.**
- Keep children out of the mowing area and under the watchful care of another responsible adult.
- Be alert and turn off the machine if children enter the area.
- Before and when backing, look behind and **down** for small children.
- Never carry children. They may fall off and be seriously injured or interfere with safe machine operation.
- Use extra care when approaching blind corners, shrubs, trees, or other objects that may obscure vision.

### SERVICE

- The operation of any mower can result in foreign objects thrown into the eyes, which can result in severe eye damage. Always wear safety glasses or eye shields while operating your mower or performing any adjustments or repairs. We recommend a wide vision safety mask over spectacles or standard safety glasses.
- Use extra care in handling gasoline and other fuels. They are flammable and vapors are explosive.
  - Use only an approved container.
  - Never remove gas cap or add fuel with the engine running.
  - Allow engine to cool before refueling.
  - Do not smoke.
  - Never refuel the machine indoors.
  - Never store the machine or fuel container inside where there is an open flame, such as a water heater.
- Never run a machine inside a closed area.

- Keep nuts and bolts, especially blade attachment bolts, tight and keep equipment in good condition.
- Never tamper with safety devices. Check regularly for proper operation.
- Keep machine free of grass, leaves, or other debris buildup. Clean oil or fuel spillage. Allow machine to cool before storing.
- Stop and inspect the equipment if you strike an object. Repair, if necessary, before restarting.
- Never make adjustments or repairs with the engine running.
- Grass catcher components are subject to wear, damage, and deterioration, which could expose moving parts or allow objects to be thrown. Frequently check components and replace with manufacturer's recommended parts, when necessary.
- Mower blades are sharp and can cut. Wrap the blade(s) or wear gloves, and use extra caution when servicing them.
- Check brake operation frequently. Adjust and service as shown in the Operator's Manual.



### WARNING!

**Battery posts, terminals and related accessories contain lead and lead compounds, chemicals known to the State of California to cause cancer and birth defects or other reproductive harm. Wash hands after handling.**



### CAUTION

**In order to prevent accidental starting when setting up, transporting, adjusting or making repairs, always disconnect spark plug wire and place wire where it cannot contact spark plug.**

# ASSEMBLY

## UNPACKING INSTRUCTIONS

- Remove all parts and packing materials from carton.
- Check carton contents against list. Be sure all parts are there.

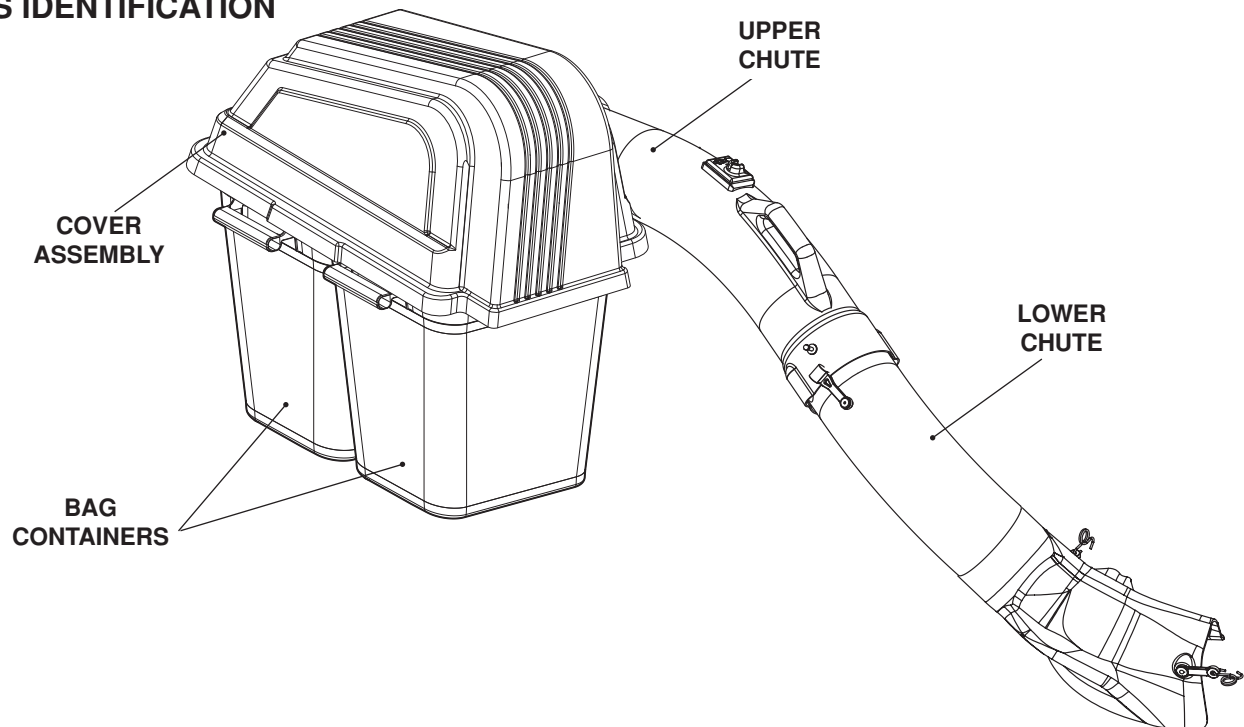
## CONTAINER CONTENTS

- |                         |                       |
|-------------------------|-----------------------|
| 2 - Soft bag containers | 1 - Bag of Hardware   |
| 1 - Upper Chute         | 1 - Lower Chute       |
| 1 - Cover Assembly      | 1 - Mounting Hardware |

## TOOLS REQUIRED

- ½" Wrench (2)
- ⅝" Socket
- Drill
- ⅝" Socket
- Phillips Screwdriver
- ⅞" Wrench (2)
- Ft/Lbs Torque Wrench
- ⅝" Drill Bit
- Ratchet

## PARTS IDENTIFICATION



### CAUTION

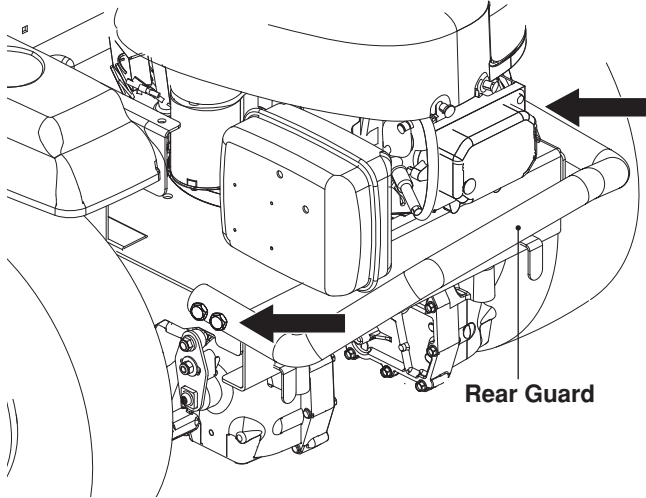
#### BEFORE ASSEMBLING GRASS CATCHER TO MOWER:

- Set parking brake.
- Place motion control levers in "NEUTRAL" position.
- Turn ignition key "OFF" and remove key.
- Make sure the blades and all moving parts have completely stopped.
- Disconnect spark plug and place wire where it cannot come in contact with plug.

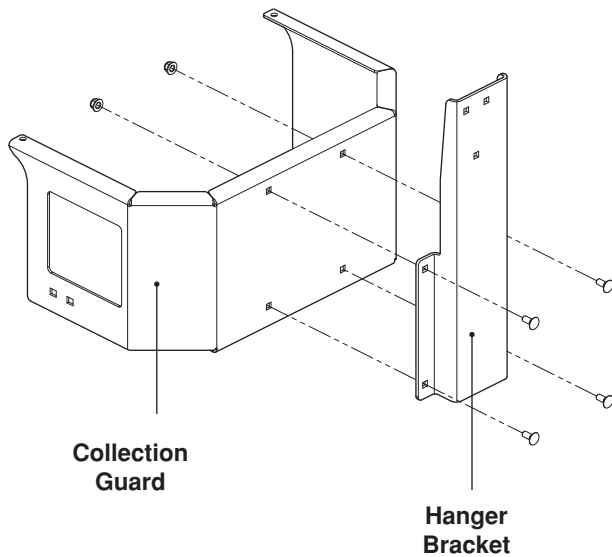
# ASSEMBLY

## 1 INSTALL GUARD AND HANGER

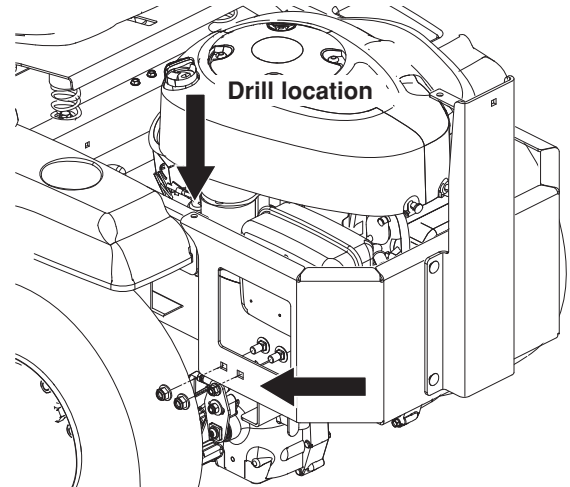
1. Remove rear guard from mower by removing the two bolts on either side of the frame.



2. Using four round head  $\frac{5}{16}$ -18 x  $\frac{3}{4}$  bolts and nuts, attach hanger bracket to collection guard.



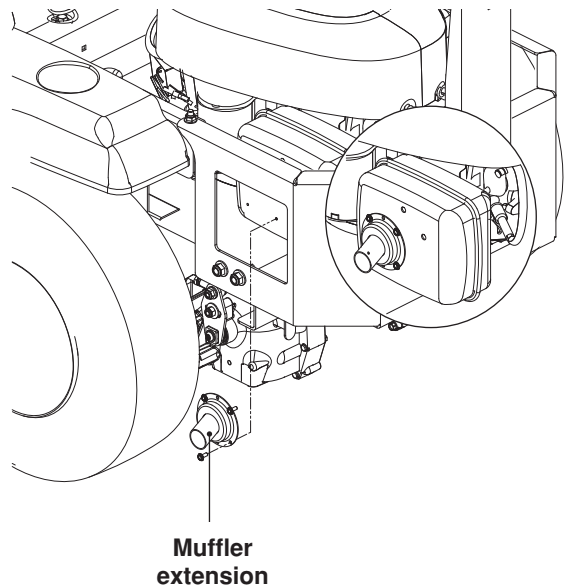
3. Secure collection guard assembly to the mower frame at the side where rear guard was removed. Use two  $\frac{3}{8}$ -16 x  $\frac{3}{4}$  round head bolts and nuts on each side.



4. With the collection guard as a template and using a drill with a  $\frac{5}{16}$ " bit, add a hole on each side of the frame's upper edge. Bolt collection guard assembly to upper edge with one  $\frac{5}{16}$ -18 x  $\frac{3}{4}$  hex head bolt and nut on each side.

## 2 INSTALL MUFFLER EXTENSION

1. Bolt muffler extension to the engine with four #10 hex washer head screws.

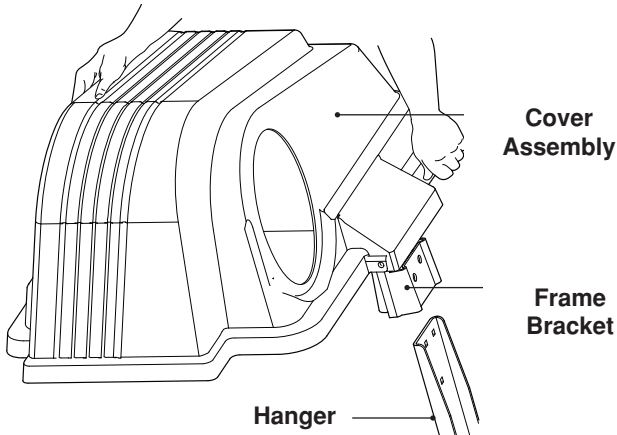


# ASSEMBLY

## 3 MOUNTING COVER ASSEMBLY TO SUPPORT ASSEMBLY

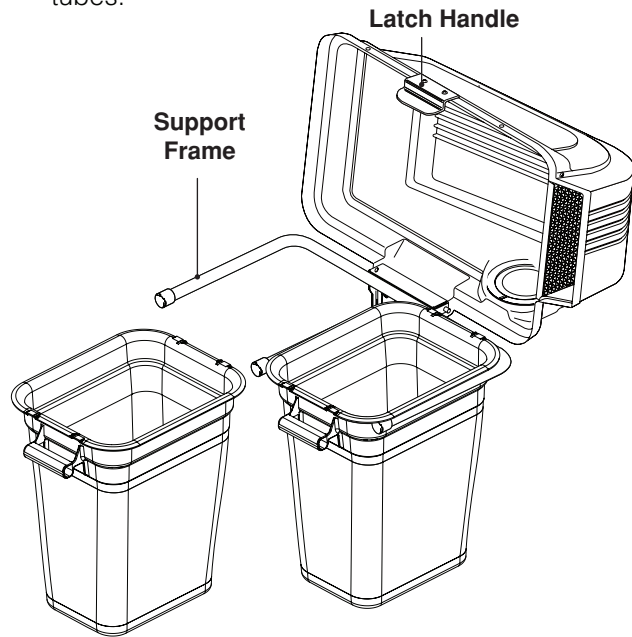
For ease of assembly, you may wish assistance from another person for mounting the cover assembly to mower.

1. Position cover assembly on the ground behind the mower.
2. Lift and rotate cover to align the frame bracket with the hanger and slide the cover down until secure.



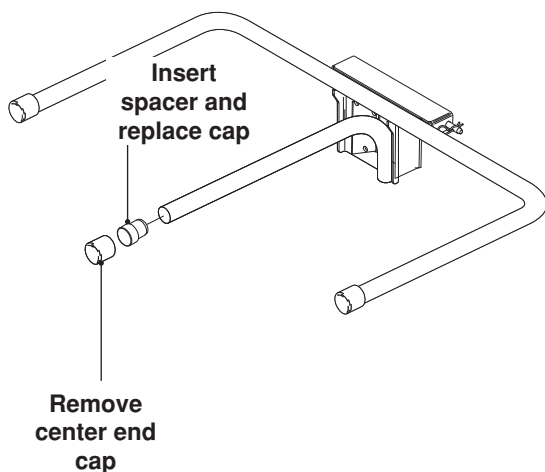
## 5 CONTAINER INSTALLATION

1. Install containers on support frame, overlapping containers at center tube.  
**Note:** One container should always overlap the other container at the center tube.
2. Close cover and lock latch handle over support tubes.



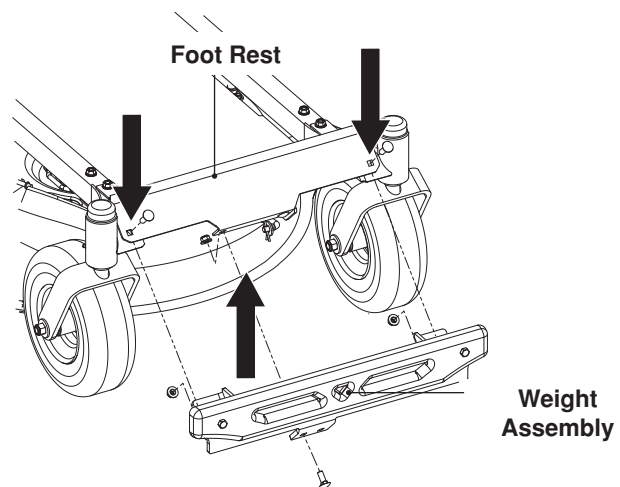
## 4 INSTALLING SPACER PLUG

Remove plastic end cap from the center bag support arm. Fully insert spacer plugs into the ends of the support tube. It may be necessary to tap the spacer into place with a hammer or mallet. Replace the plastic end cap back over the spacer. The additional extension will hold the hood more securely when latched.



## 6 WEIGHT INSTALLATION

1. Remove the front bolts from the mower foot rest.
2. Fit weight assembly to foot rest and secure with two  $\frac{3}{8}$ -16 x  $1\frac{1}{4}$  round head bolts and nuts.
3. Bolt bottom tab of weight assembly underneath the foot rest with one  $\frac{3}{8}$ -18 x 1 round head bolt and nut.

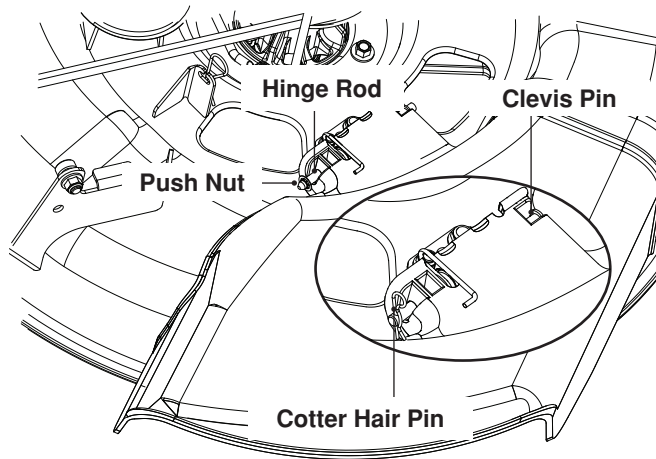




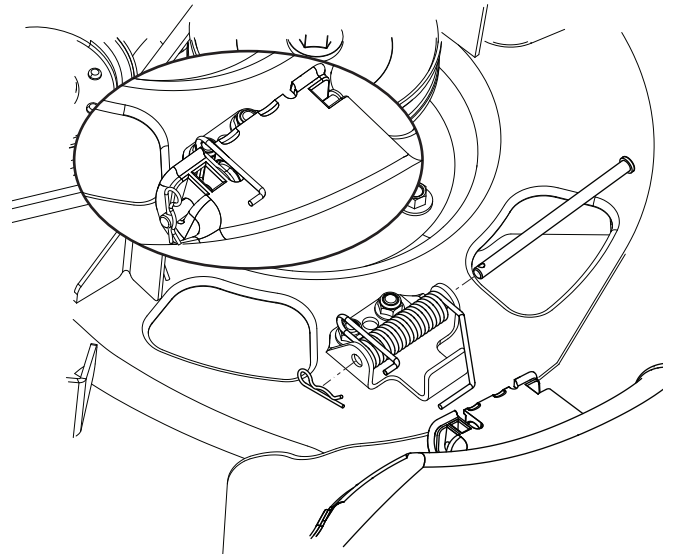
# ASSEMBLY

## 7 LOWER CHUTE INSTALLATION

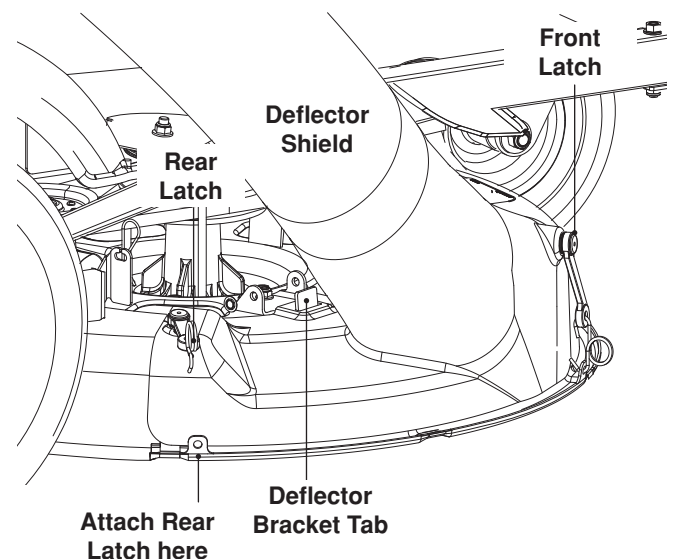
1. Remove the hardware holding the deflector shield to the deflector bracket.
2. Do not remove the bracket. Set the shield aside for reuse when not using the collection system.  
**NOTE:** For easier reinstallation, replace the original pin and pushnut with the clevis pin and cotter pin supplied in the kit when reusing the deflector chute. (Necessary on some models.)



**NOTE:** After the removal of a collection system, reattach the chute to the bracket with the clevis pin and torsion spring and secure with the hair cotter pin. Make sure the spring is installed with the "legs" up. the longer leg should be nearest the clevis pin head and under the chute. The shorter leg sits into the chute channel and rests on the top of the chute. See the illustration inset.



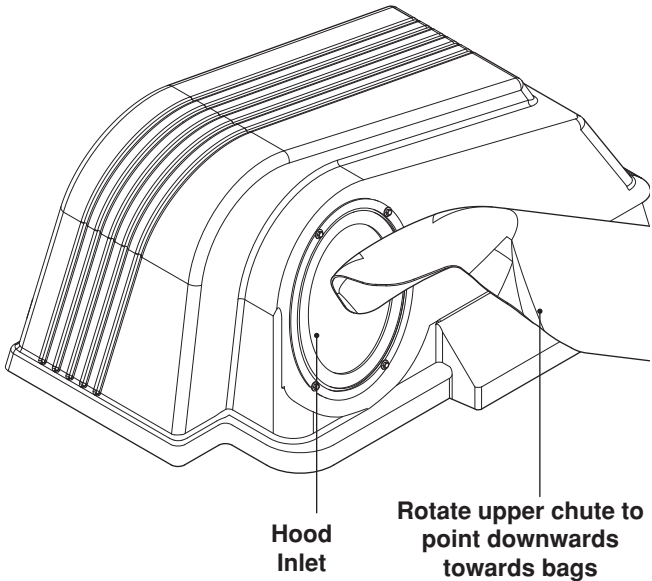
2. Align the chute slot with the deflector bracket tab on the mower deck. Slide chute down over tab.
3. With the lower chute in proper position, hold the chute securely while hooking the front and rear latches to the mower deck.



# ASSEMBLY

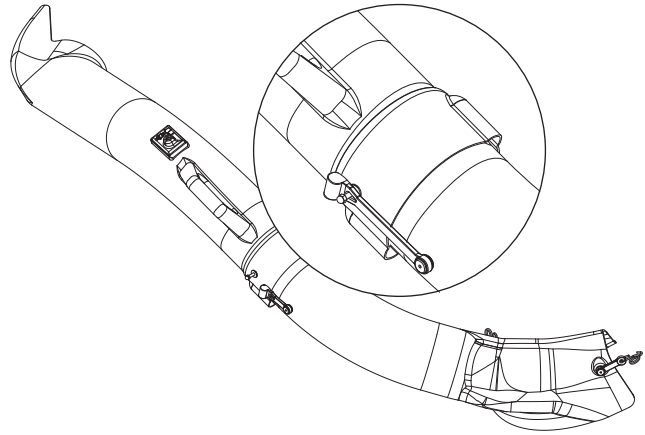
## 8 CHUTE / HOOD INSTALLATION

1. Push upper chute through the gasketed opening in the cover assembly.
2. Rotate chute so the chute opening is downwards toward the container bags.



## 9 UPPER / LOWER CHUTE ASSEMBLY

1. Slide upper chute onto lower chute, lining up notches and channels.
2. Stretch bungee latch up onto acorn nut on upper chute to secure.



## 10 LEVELING MOWER DECK

Be sure deck is properly leveled for best mower performance. See your mower operator's manual for instructions.



### **WARNING!**

**DO NOT** operate mower unless container is properly installed. Container is subject to wear and deterioration, check containers frequently, replace when cracked or damaged. Use only a recommended replacement container.

# OPERATION

## TIPS FOR IMPROVED BAGGING

Follow the mower operation instructions in the mower operator manual.

When operating the grass catcher on a lawn where grass and leaf bagging equipment has not been used, thatch and debris that has accumulated for long periods of time will be picked up. The amount collected and the total time of operation may be greater than experienced with regular use of the grass catcher.

- Always run throttle at full speed when bagging.
- Select a speed low enough to give good mower cutting performance, good quality cut and good bagging performance.

**NOTE: It may be necessary to overlap width of cut to suit conditions.**

- If grass is extremely tall, it should be mowed twice. The first time relatively high, the second time to desired height.

Use left hand side of mower for trimming.

Plastic trash bags (3.0 mil, 30 gallon) can be inserted inside grass catcher containers for ease of debris disposal. To remove the plastic trash bags when full:

- a. Disengage blades, shift into neutral, engage the parking brake and stop the engine.
- b. Unlatch and raise cover.
- c. Remove one container at a time by grasping container handles and pulling toward the rear, off of the tube rails.
- d. With the container resting on the ground, close and secure the top of the plastic lawn bag.
- e. Tip the container on its side and slide the filled bag from the container.
- f. Install a new plastic lawn bag with the edges of the bag draped over upper lip of the Container (for replacement bags refer to REPLACEMENT PARTS).
- g. Repeat for other container.
- h. Reinstall containers making sure right container overlaps left container at center supports.
- i. Close cover and secure latches over center support tubes.

- Avoid cutting wet grass or in the morning while the dew is still heavy. Grass clippings collected under these conditions tend to be sticky and adhere to the walls of the flow path causing clogging.
- If the grass catcher fails to pick up cut grass or leaves, it is an indication that clogging has occurred in the system or that the grass catcher containers are full.
  - a. Disengage blades, place motion control levers in neutral position.
    - Unlatch and raise cover.
    - Slide out containers and dispose of clippings.
    - Replace containers, close cover, and latch.
  - b. Unlatch chutes and check for clogging.
    - Remove all debris in chute.
    - Reassemble and latch chutes.

## GENERAL RECOMMENDATIONS

Always observe safety rules when performing any maintenance.

- Before each use check for loose fasteners.
- Clean unit thoroughly after each use.

## BLADE CARE

- For best results mower blades must be kept sharp. Replace bent or damaged blades.
- See BLADE CARE instructions in the mower operator's manual.

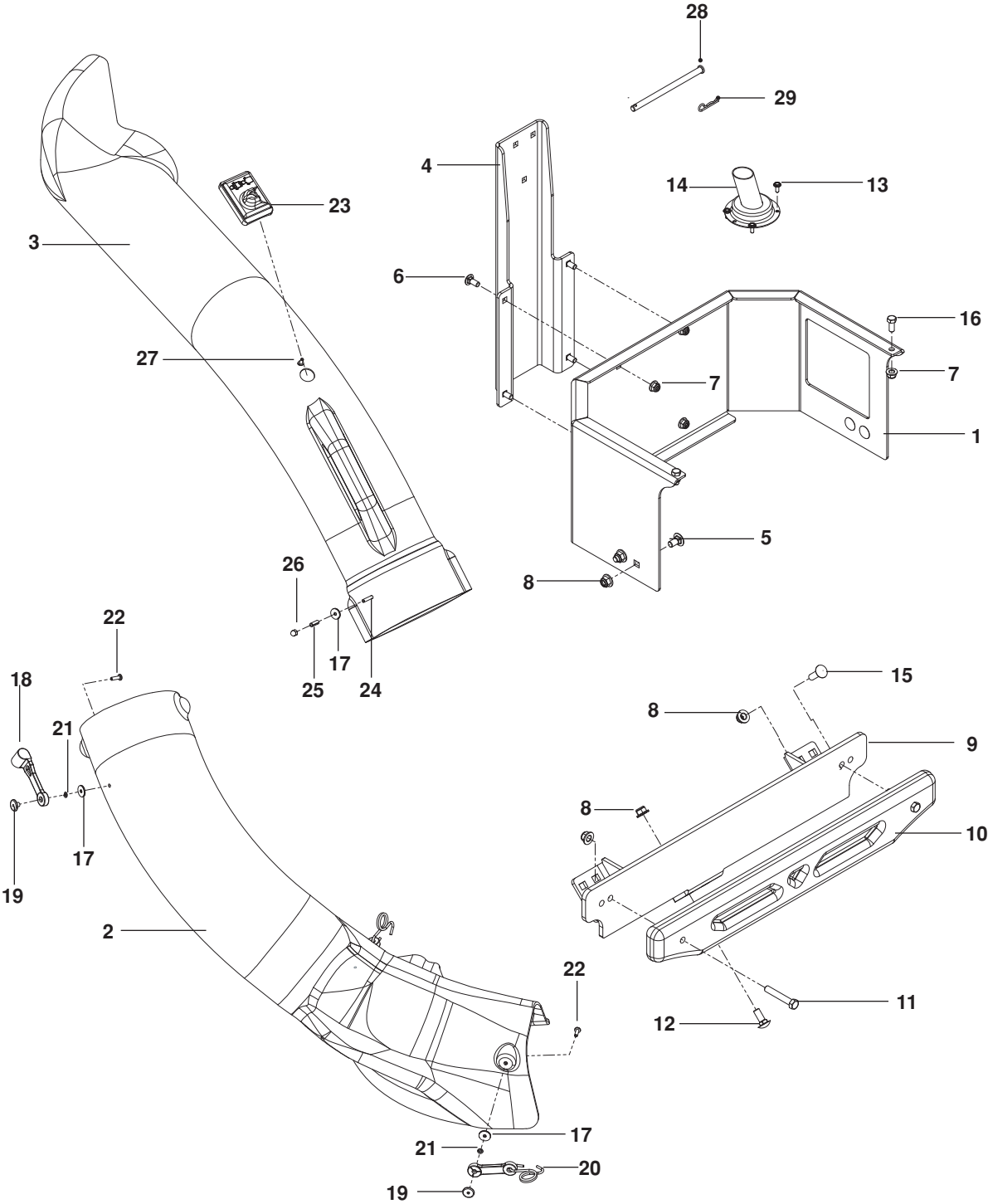


### CAUTION

#### BEFORE PERFORMING MAINTENANCE, SERVICE OR ADJUSTMENTS:

- **Set parking brake.**
- **Place motion control levers in "NEUTRAL" position.**
- **Place clutch control in "DISENGAGED" position.**
- **Turn ignition key to "OFF" position.**
- **Make sure blades and all moving parts have completely stopped.**
- **Disconnect spark plug wire(s) from spark plug(s) and place wire where it cannot come in contact with plug.**

# REPAIR PARTS



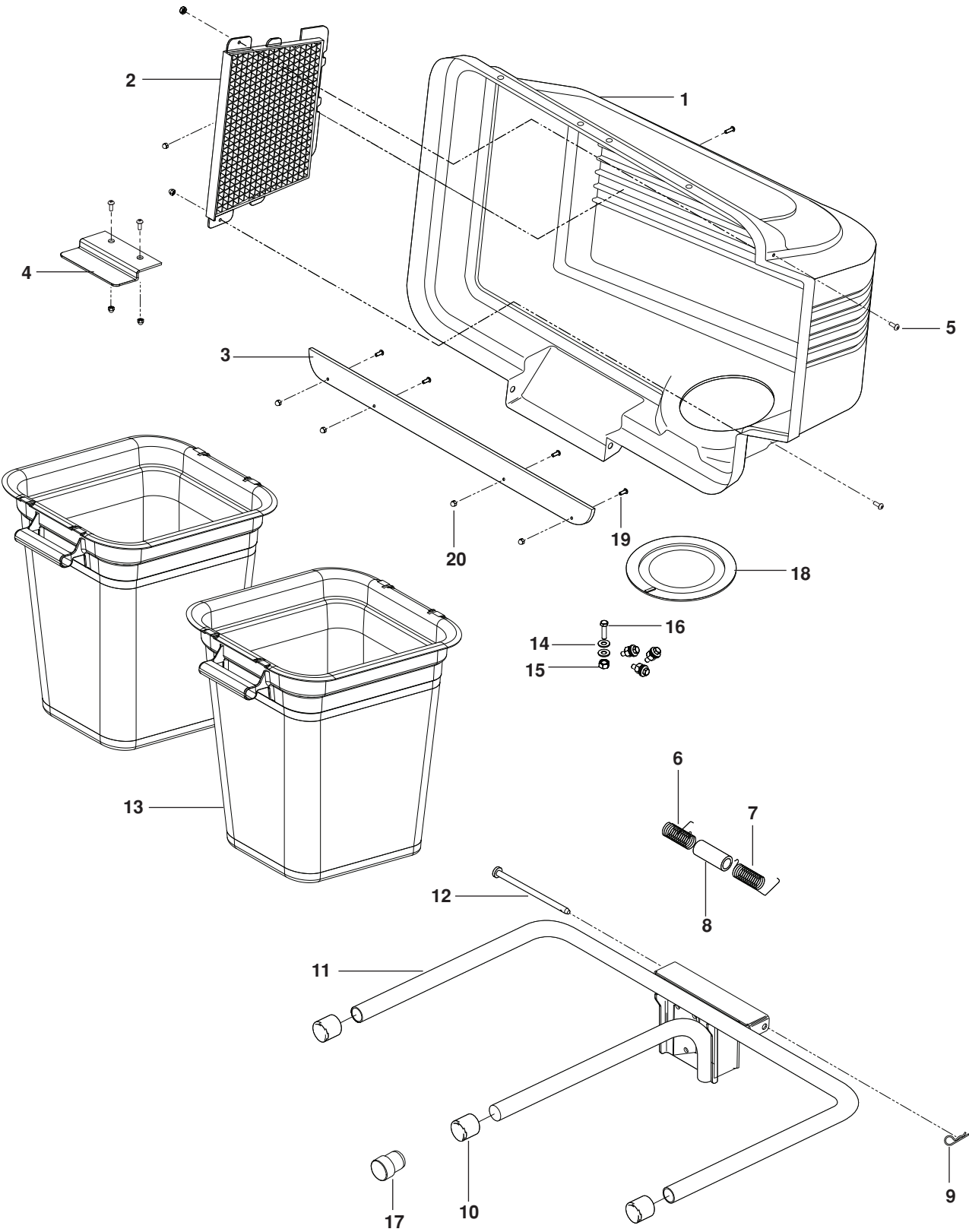
# REPAIR PARTS

---

ITEM	PART NO.	QTY.	DESCRIPTION	ITEM	PART NO.	QTY.	DESCRIPTION
1..	574 031003....	1	.... GUARD, REAR	16..	539 976934....	2	.... HCS $\frac{5}{16}$ -18 x $\frac{3}{4}$
2..	573 975801....	1	.... CHUTE, LOWER	17..	539 108084....	3	.... WASHER $\frac{3}{16}$ x $\frac{3}{4}$ x 16 GA
3..	539 108141....	1	.... CHUTE, UPPER	18..	539 108088....	1	.... LATCH, HOOD
4..	574 031102....	1	.... BRACKET, HANGER	19..	539 108089....	3	.... PLATED, WELD NUT
5..	539 111785....	4	.... RHSNB $\frac{3}{8}$ -16 x $\frac{3}{4}$	20..	539 108194....	2	.... LATCH ASSY
6..	539 990316....	4	.... RHSNB $\frac{5}{16}$ -18 x $\frac{3}{4}$	21..	539 109552....	3	.... WASHER $\frac{3}{16}$ LOCK
7..	539 112899....	6	.... NUT $\frac{5}{16}$ -18 HEX FLG NYLOC	22..	539 976952....	3	.... SCREW #10-24 x .625
8..	521 996501....	9	.... NUT $\frac{3}{8}$ -16 HEX FLG	23..	539 108082....	1	.... BAG INDICATOR
9..	574 255502....	1	.... BRACKET, WEIGHT	24..	539 108083....	1	.... SCREW, #10- 24 x $1\frac{1}{8}$
10..	539 113177....	1	.... CAST WEIGHT	25..	539 108085....	1	.... SPACER, SPLIT
11..	539 990629....	2	.... HCS $\frac{3}{8}$ -16 x $2\frac{1}{4}$	26..	539 108086....	1	.... NUT, ACORN #10- 24
12..	539 990645....	1	.... RHSNB $\frac{3}{8}$ -16 x 1	27..	539 108081....	1	.... SCREW, SPECIAL #10-14 x $\frac{1}{2}$
13..	539 115537....	4	.... SCREW, HEX WASHER HD	28..	539 110736....	1	.... PIN, CLEVIS $\frac{5}{16}$ x 5.19
14..	539 131601....	1	.... EXTENSION, MUFFLER	29..	539 976988....	1	.... COTTER HAIRPIN
15..	539 100413....	2	.... RHSNB $\frac{3}{8}$ -16 x $1\frac{1}{4}$				

NOTE: ALL FASTENERS ARE GRADE 5 UNLESS OTHERWISE SPECIFIED.

# REPAIR PARTS



# REPAIR PARTS

---

ITEM	PART NO.	QTY.	DESCRIPTION	ITEM	PART NO.	QTY.	DESCRIPTION
1..	539 111139....	1	COVER ASSY	11..	532 179746....	1	BAGGER, FRAME
2..	532 127533....	1	SCREEN, COVER	12..	532 128600....	1	PIN, HINGE
3..	532 155042....	1	STRIP, REINFORCEMENT	13..	532 400226....	2	CONTAINER, SOFT BAG
4..	532 130895....	1	LATCH HANDLE, COVER	14..	539 105408....	8	WASHER #10 FLAT
5..	539 976952....	4	SCREW #10-24 x 5/8	15..	539 976977....	4	NUT #10-24 HEX NYLOC
6..	532 132796....	1	SPRING, COVER, LH	16..	539 106312....	4	HMS #10-24 x 3/4
7..	532 132983....	1	SPRING, COVER RH	17..	522 801301....	1	SPACER, PLUG
8..	532 133235....	1	SPACER, COVER	18..	532 127534....	1	GASKET
9..	532 085902....	1	RETAINER, SPRING	19..	539 108081....	4	SCREW #10-24 x 1/2
10..	532 174083....	3	CAP, TUBING END	20..	539 108086....	9	NUT #10-24 ACORN

NOTE: ALL FASTENERS ARE GRADE 5 UNLESS OTHERWISE SPECIFIED.

# STORAGE

---

## STORAGE

When grass catcher is to be stored for a period of time, clean it thoroughly, remove all dirt, grass, leaves, etc. Store in a clean, dry place.



### CAUTION

- **DO NOT** operate mower with grass catcher partially installed.
- Disengage blades and stop engine before leaving mower seat to empty containers, unclogging chutes, etc.
- Close cover before starting.
- Disengage mower blades when crossing driveways or gravel surfaces and other areas where thrown objects could be a hazard.
- **DO NOT** attempt to vacuum cans or other potentially hazardous projectiles.



### CAUTION

**Do not leave grass in bagger containers. Empty containers after each use and before storing. Failure to do so may result in spontaneous combustion which could develop into a fire.**



### CAUTION

**Grass catcher components are subject to wear, damage and deterioration, which could expose moving parts or allow objects to be thrown. Frequently check components and replace with manufacturer's recommended parts, when necessary.**