

DT22HNR CE

Spare parts

Ersatzteile

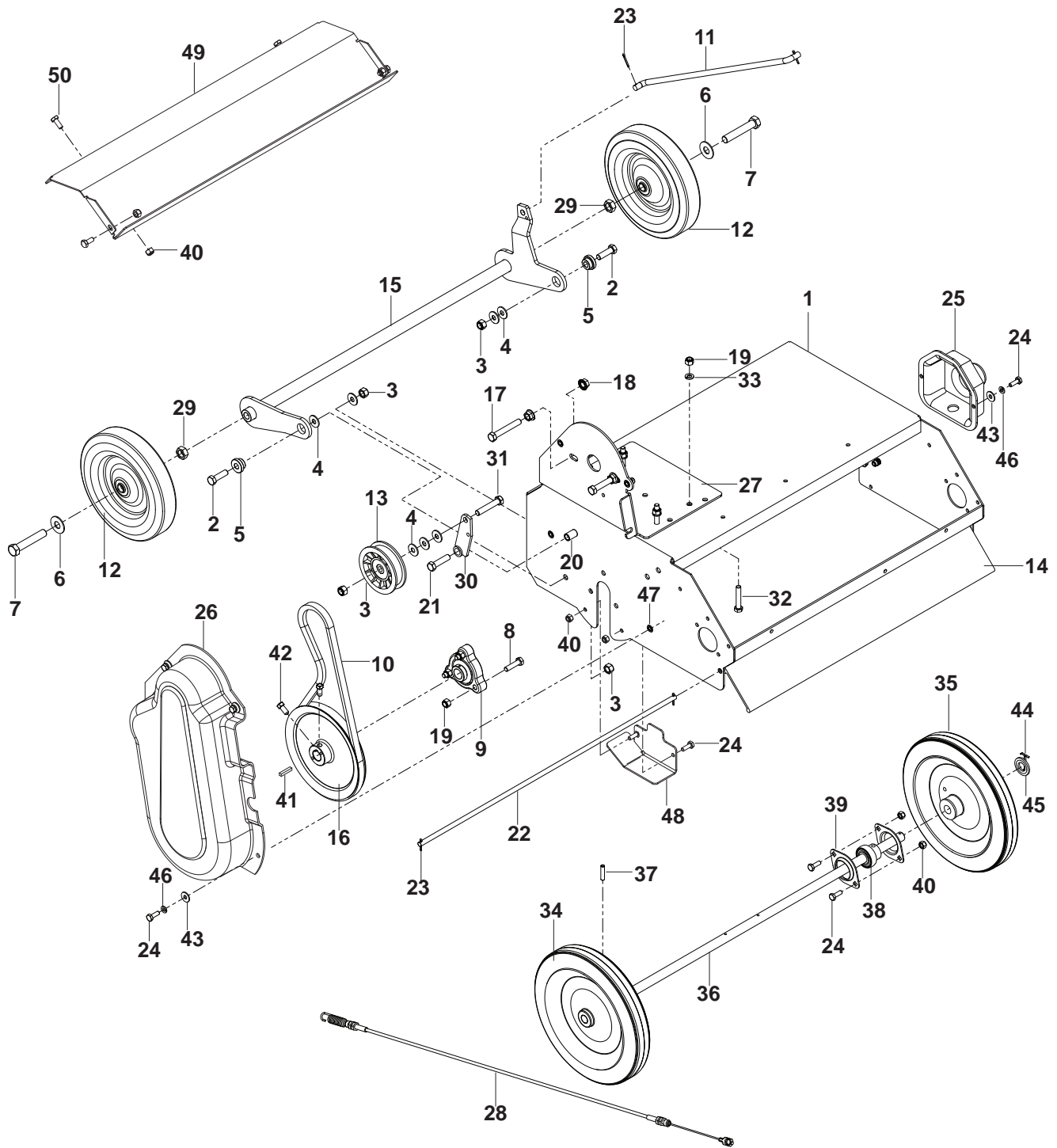
Pièces détachées

Reserve onderdelen

Repuestos

Reservdelar

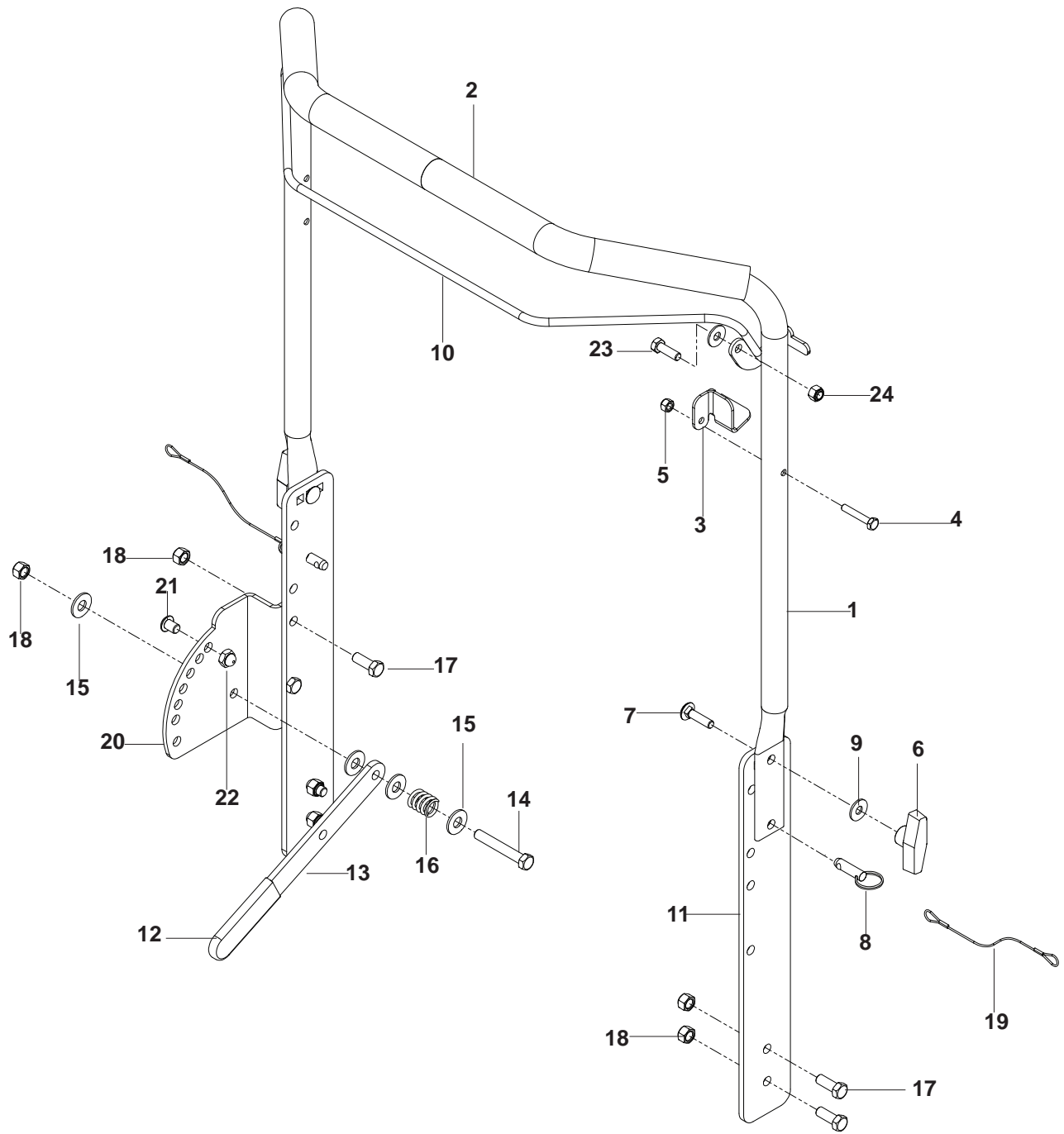
FRAME



FRAME

| ITEM | PART NO. | QTY. | DESCRIPTION | ITEM | PART NO. | QTY. | DESCRIPTION |
|------|------------|------------|---|------|------------|------------|---|
| 1.. | 525 858501 | 1.... | BODY | 26.. | 539 108070 | 1.... | BELT GUARD, CE |
| 2.. | 539 976941 | 2.... | HCS $\frac{3}{8}$ -16 x $1\frac{1}{4}$ | 27.. | 539 106772 | 1.... | BACKING PLATE |
| 3.. | 539 976979 | 4.... | NUT $\frac{3}{8}$ -16 NYLOC | 28.. | 539 106849 | 1.... | CABLE |
| 4.. | 539 990692 | 7.... | WASHER $\frac{5}{16}$ | 29.. | 539 990625 | 2.... | NUT $\frac{1}{2}$ -13 JAM |
| 5.. | 539 106847 | 2.... | BUSHING | 30.. | 539 108067 | 1.... | IDLER, ARM |
| 6.. | 539 990550 | 2.... | WASHER, $\frac{1}{2}$ | 31.. | 539 990588 | 1.... | HCS $\frac{3}{8}$ -16 x 2 |
| 7.. | 539 101332 | 2.... | HCS $\frac{1}{2}$ -13 x $2\frac{3}{4}$ | 32.. | 539 990669 | 4.... | HCS $\frac{5}{16}$ -18 x $1\frac{3}{4}$ |
| 8.. | 539 990627 | 6.... | HCS $\frac{5}{16}$ -18 x $1\frac{1}{4}$ | 33.. | 539 990187 | 4.... | LOCKWASHER $\frac{5}{16}$ |
| 9.. | 539 100488 | 2.... | BEARING FLANGE C.I. | 34.. | 540 000058 | 1.... | WHEEL, 10x1.75 DRILLED |
| 10.. | 539 100439 | 1.... | BELT | 35.. | 540 053401 | 1.... | WHEEL, 10 x1.75 w/ BSHNG |
| 11.. | 539 106805 | 1.... | LINKAGE | 36.. | 539 106663 | 1.... | REAR AXLE |
| 12.. | 540 075051 | 4.... | WHEEL, 8 x 1.75 | 37.. | 539 109273 | 1.... | PIN ROLL $\frac{1}{4}$ x 1 $\frac{1}{8}$ |
| 13.. | 539 110311 | 1.... | IDLER PULLEY, HYDRO'S | 38.. | 539 000319 | 2.... | BEARING $\frac{5}{8}$ w/ COLLAR |
| 14.. | 539 106643 | 1.... | REAR FLAP | 39.. | 539 000321 | 4.... | BRG FLANGETTE $\frac{5}{8}$ 2 BOLT |
| 15.. | 539 106759 | 1.... | AXLE, FRONT | 40.. | 539 976978 | 2.... | NUT $\frac{1}{4}$ -20 NYLOC |
| 16.. | 539 100511 | 1.... | PULLEY, 7" | 41.. | 539 910061 | 1.... | KEY $\frac{1}{4}$ SQ x 1 $\frac{1}{8}$ |
| 17.. | 539 990637 | 2.... | HCS $\frac{3}{8}$ -16 x $2\frac{1}{2}$ | 42.. | 539 976956 | 2.... | KPSS $\frac{5}{16}$ -18 x $\frac{3}{8}$ SET |
| 18.. | 539 990613 | 4.... | NUT $\frac{3}{8}$ -16 WHIZLK | 43.. | 539 990598 | 6.... | WASHER $\frac{1}{4}$ |
| 19.. | 539 990717 | .. 10.... | NUT $\frac{5}{16}$ -18 NYLOC | 44.. | 539 990297 | 1.... | COTTER PIN $\frac{1}{8}$ x $1\frac{1}{2}$ |
| 20.. | 539 100482 | 1.... | BUSHING | 45.. | 539 976982 | 1.... | WASHER $\frac{5}{8}$ SAE |
| 21.. | 539 990655 | 1.... | HCS $\frac{3}{8}$ -16 x $1\frac{1}{2}$ | 46.. | 539 990052 | 6.... | WASHER $\frac{1}{4}$ SPLIT LOCK |
| 22.. | 539 106672 | 1.... | FLAP ROD | 47.. | 539 108147 | 6.... | KNURLED INSERT $\frac{1}{4}$ -20 |
| 23.. | 539 990037 | 4.... | PIN $\frac{3}{4}$ COTTER | 48.. | 539 108037 | 1.... | SKID PLATE |
| 24.. | 539 990580 | .. 12.... | HCS $\frac{1}{4}$ -20 x $\frac{3}{4}$ | 49.. | 539 106757 | 1.... | REAR CO V ER |
| 25.. | 539 106754 | 1.... | SHAFT GUARD | 50.. | 539 990072 | 4.... | HCS $\frac{1}{4}$ -10 X $\frac{5}{8}$ |

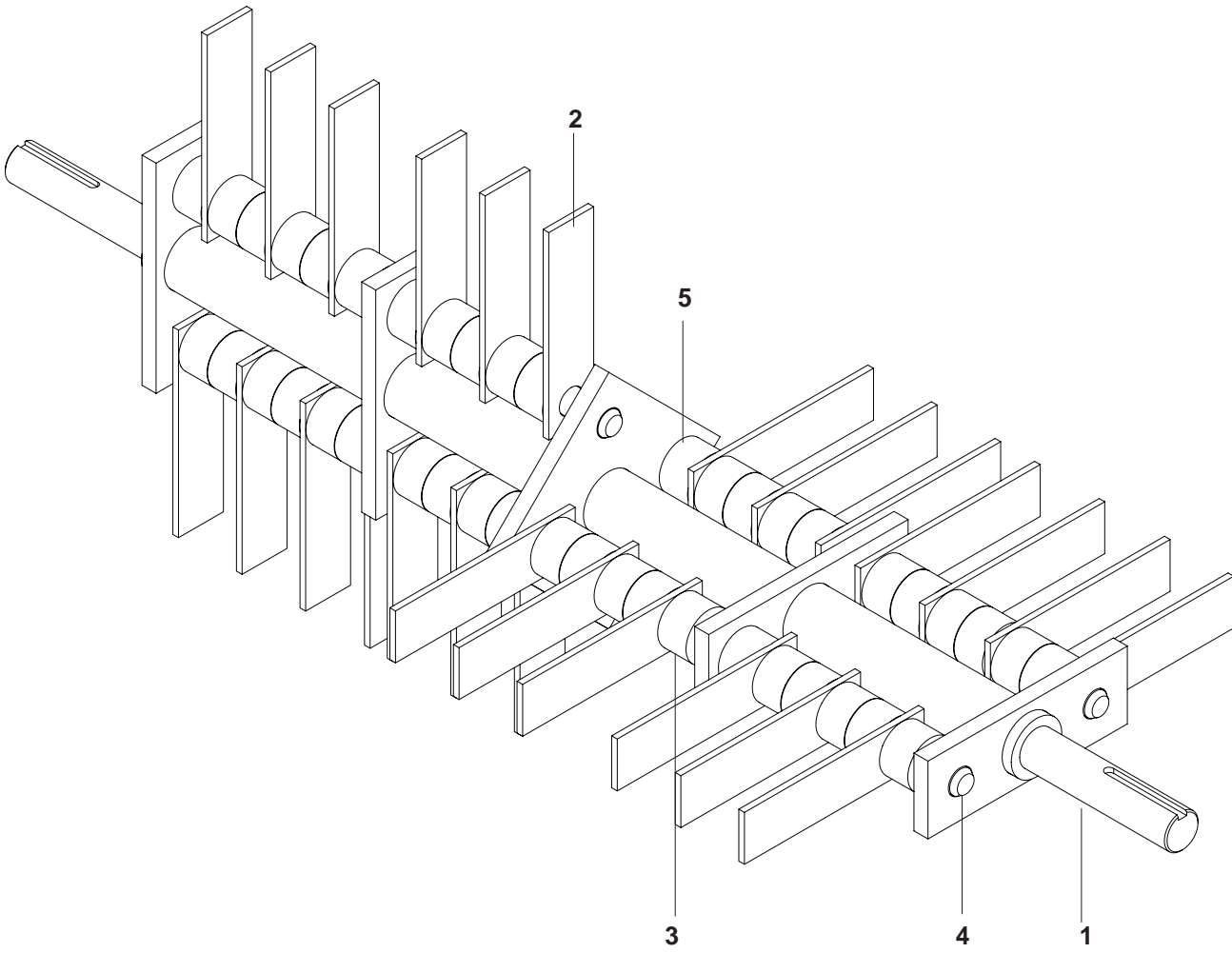
HANDLE



HANDLE

| ITEM | PART NO. | QTY. | DESCRIPTION | ITEM | PART NO. | QTY. | DESCRIPTION |
|------|------------|------------|--|------|------------|------------|--|
| 1.. | 539 106758 | 1.... | HANDLE | 13.. | 539 106770 | 1.... | LE vER |
| 2.. | 539 052561 | 2.... | GRIP, FOAM | 14.. | 539 990637 | 1.... | HCS $\frac{3}{8}$ -16 x 2 $\frac{1}{2}$ |
| 3.. | 539 106688 | 1.... | CABLE TAB | 15.. | 539 990517 | 4.... | WASHER $\frac{3}{8}$ |
| 4.. | 539 990639 | 1.... | HCS $\frac{1}{4}$ -20 x 1 $\frac{1}{2}$ | 16.. | 539 976438 | 1.... | SPRING |
| 5.. | 539 976978 | 1.... | NUT $\frac{1}{4}$ -20 NYLOC | 17.. | 539 990563 | 6.... | HCS $\frac{3}{8}$ -16 x 1 |
| 6.. | 539 100481 | 2.... | KNOB | 18.. | 539 976979 | 7.... | NUT $\frac{3}{8}$ -16 NYLOC |
| 7.. | 539 100472 | 2.... | RHSNB $\frac{5}{16}$ -18 x 1 $\frac{1}{4}$ | 19.. | 539 102563 | 2.... | LANYARD |
| 8.. | 539 100556 | 2.... | PIN | 20.. | 539 106768 | 1.... | HEIGHT PLATE |
| 9.. | 539 990692 | 3.... | WASHER $\frac{5}{16}$ | 21.. | 539 108068 | 1.... | HCS $\frac{3}{8}$ -16 x $\frac{1}{2}$ BUTTONHD |
| 10.. | 539 106760 | 1.... | BAIL | 22.. | 539 108746 | 1.... | NUT $\frac{3}{8}$ -16 ACORN |
| 11.. | 539 106755 | 2.... | HANDLE SIDE | 23.. | 539 990209 | 1.... | HCS $\frac{5}{16}$ -18 x 1 |
| 12.. | 539 976526 | 1.... | GRIP, LE vER | 24.. | 539 990717 | 1.... | NUT $\frac{5}{16}$ -18 NYLOC |

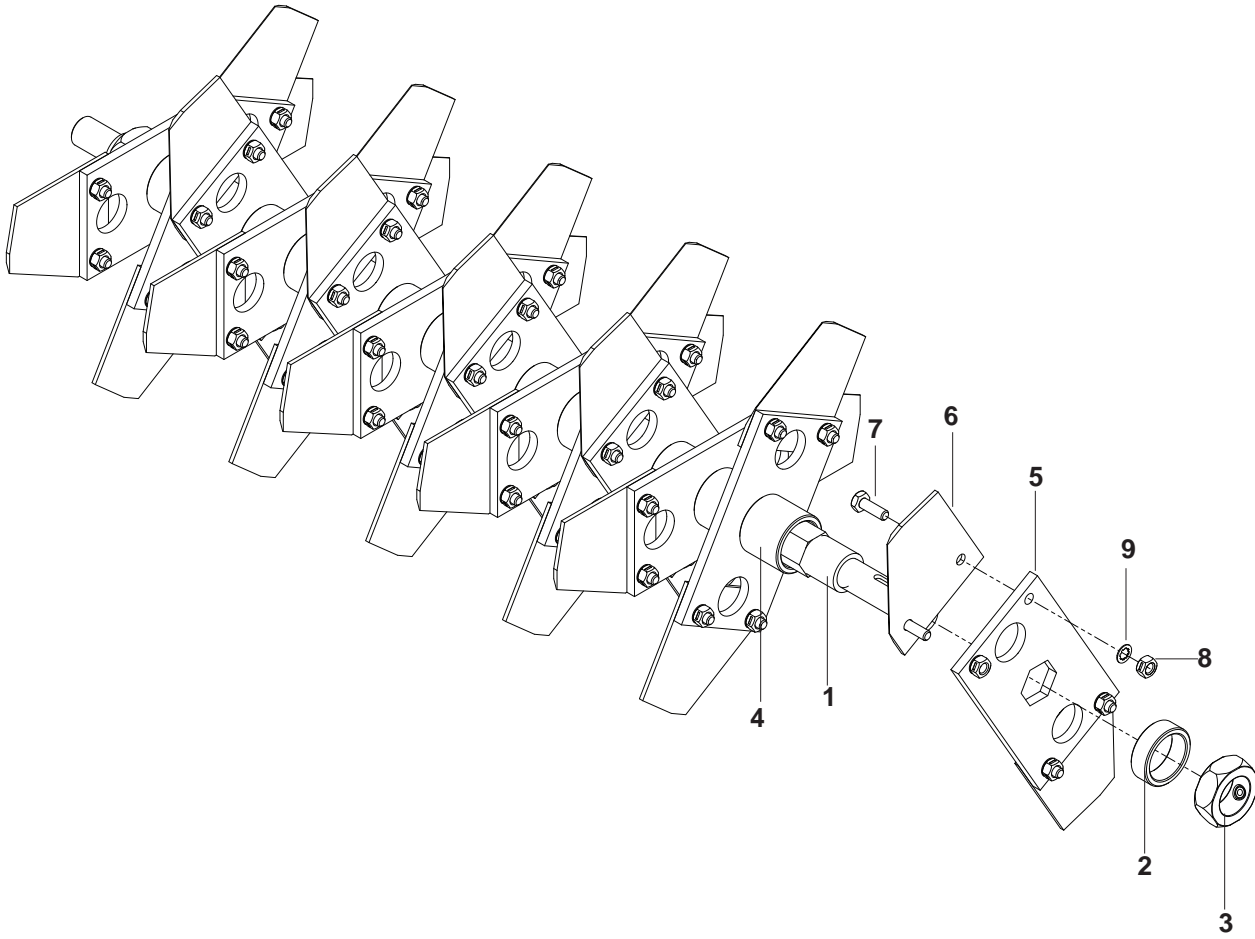
FLAIL BLADE



FLAIL BLADE

| ITEM | PART NO. | QTY. | DESCRIPTION | ITEM | PART NO. | QTY. | DESCRIPTION |
|------|------------|------------|-----------------------|------|------------|------------|-------------|
| | 539 106639 | ... 1.... | FLAIL ASSY (COMPLETE) | 3.. | 539 100526 | .. 56.... | SPACER |
| 1.. | 539 106641 | 1.... | SHAFT | 4.. | 539 106642 | 4.... | BLADE SHAFT |
| 2.. | 539 005187 | .. 32.... | BLADE | 5.. | 539 101949 | 8.... | E-RING ½" |

DELTA BLADE

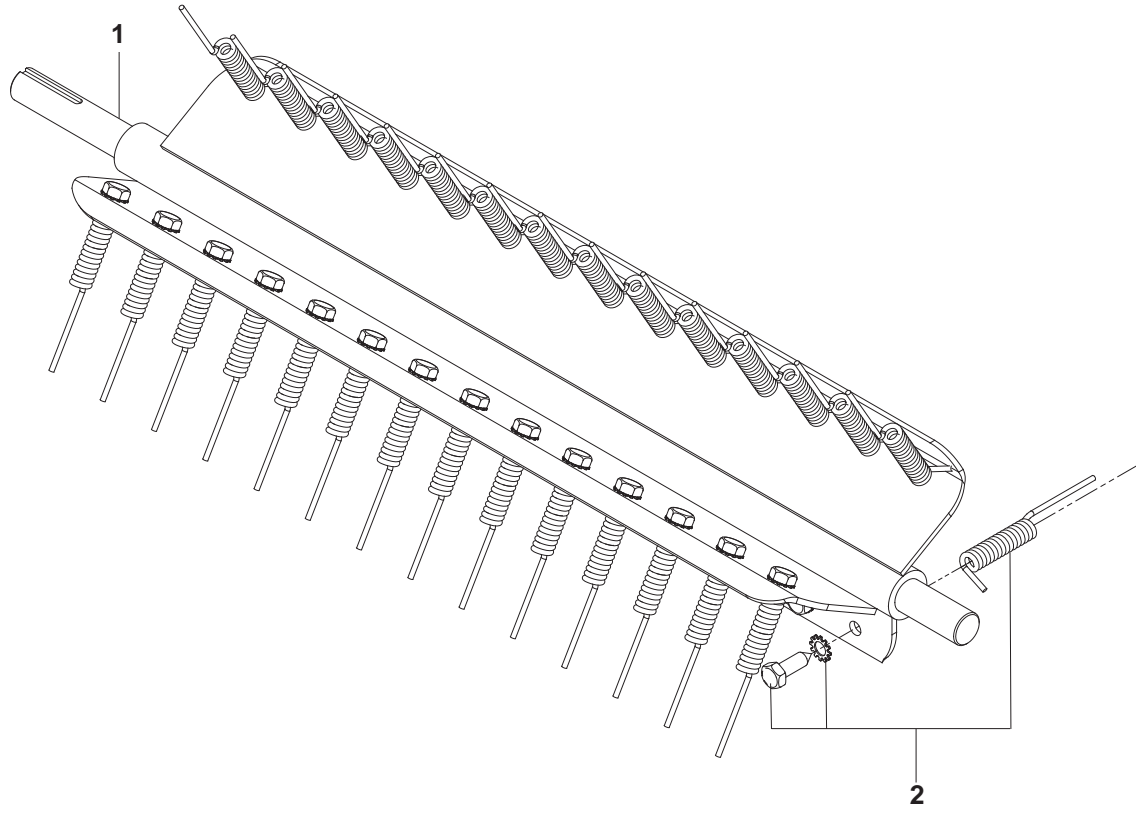


DELTA BLADE

| ITEM | PART NO. | QTY. | DESCRIPTION |
|------|------------|------------|-----------------------|
| | 539 107184 | ... 1.... | DELTA ASSY (COMPLETE) |
| 1.. | 539 106650 | 1.... | DELTA SHAFT |
| 2.. | 539 106653 | 2.... | END SPACER |
| 3.. | 539 100530 | 2.... | JAM NUT w/ SET SCREW |
| 4.. | 539 106652 | .. 14.... | SPACER-LONG |

| ITEM | PART NO. | QTY. | DESCRIPTION |
|------|------------|-----------|-------------------------|
| 5.. | 539 106651 | .. 15.... | BLADE PLATE |
| 6.. | 540 005966 | .. 30.... | DELTA BLADE |
| 7.. | 539 108056 | .. 60.... | HCS ¼-20 x ¾ GR8 |
| 8.. | 539 990761 | .. 60.... | NUT ¼-20 CTRLK |
| 9.. | 539 000407 | .. 60.... | WASHER ¼ LK INTNL TOOTH |

SPRING REEL

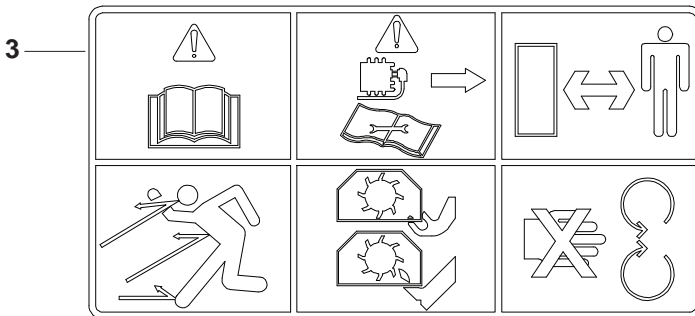
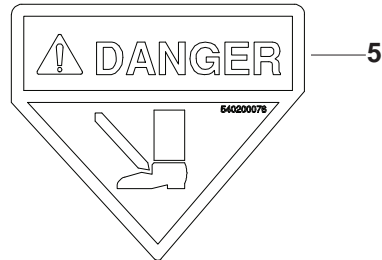
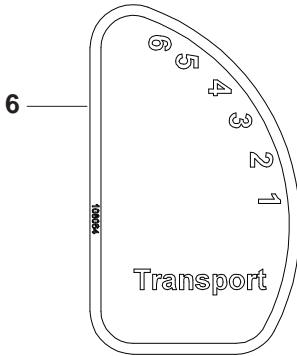
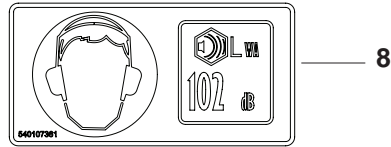
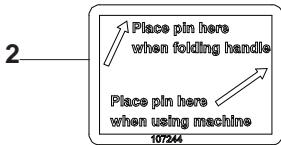
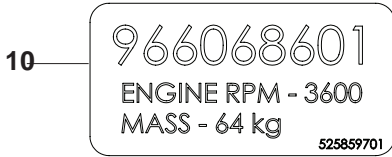
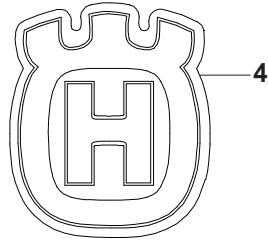
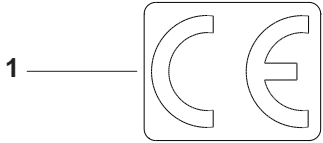


SPRING REEL

| ITEM | PART NO. | QTY. | DESCRIPTION |
|------|------------|------------|------------------------|
| | 539 107185 | ... 1.... | SPRING REEL (COMPLETE) |
| 1.. | 539 106683 | 1.... | SHAFT |

| ITEM | PART NO. | QTY. | DESCRIPTION |
|------|------------|------------|---------------------------------------|
| 2.. | 540 108119 | 2.... | SPRING W/HARDWARE SET (42 SPRINGS) |

DECALS



DECALS

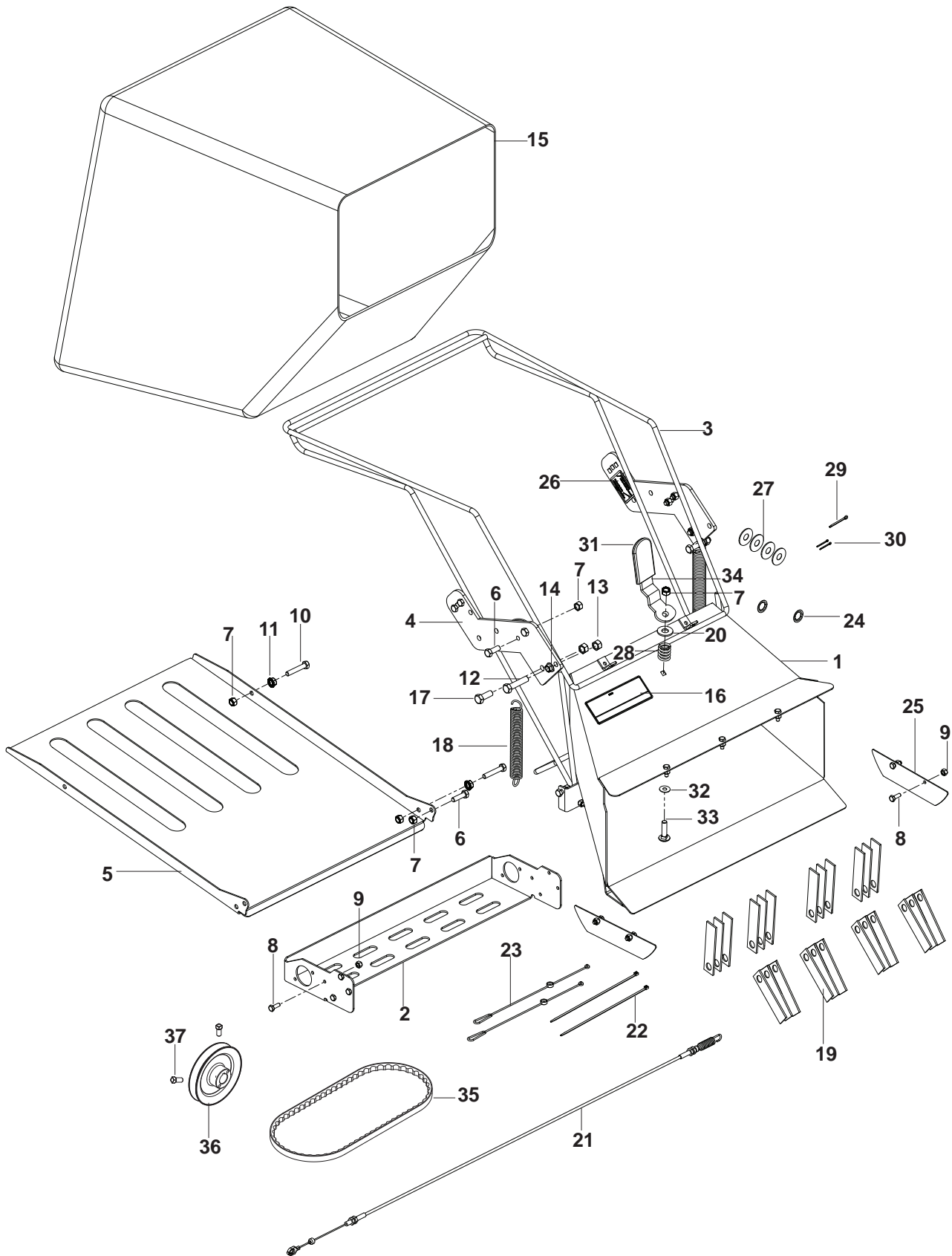
| ITEM | PART NO. | QTY. | DESCRIPTION | ITEM | PART NO. | QTY. | DESCRIPTION |
|------|------------|------------|------------------------|------|------------|------------|---------------------|
| 1.. | 539 107311 | 1.... | DECAL, CE | 6.. | 539 108064 | 1.... | DECAL, DEPTH |
| 2.. | 539 107244 | 1.... | DECAL, HANDLE PIN | 7.. | 532 422012 | 1.... | DECAL, HUSQ vARNA |
| 3.. | 539 107359 | 1.... | DECAL, SAFETY GRAPHICS | 8.. | 539 107361 | 1.... | DECAL, SOUND POWER |
| 4.. | 532 422011 | 1.... | DECAL, CROWN | 9.. | 525 247902 | 1.... | DECAL, DT22 |
| 5.. | 540 200076 | 1.... | DECAL, DANGER FOOT | 10.. | 525 859701 | 1.... | DECAL, CE 966068601 |

ACCESSORIES

| ITEM | PART NO. | QTY. | DESCRIPTION | ITEM | PART NO. | QTY. | DESCRIPTION |
|------|------------|------------|--------------------------|------|------------|------------|-------------------------|
| 1.. | 539 109374 | 1.... | SEEDBOX | 14.. | 539 100266 | 2.... | HCS ¼-20 x 1¼ |
| 2.. | 539 106661 | 2.... | AGITATOR | 15.. | 539 106684 | 1.... | SEED LID |
| 3.. | 539 108495 | 2.... | SCREW #8-32 x ¾ SELF TAP | 16.. | 539 990548 | 2 ... | HCS ¼-20 x 1 |
| 4.. | 539 990580 | .. 12.... | HCS ¼-20 x ¾ | 17.. | 539 106806 | 1.... | SEED WINDOW |
| 5.. | 539 990598 | .. 20.... | WASHER ¼ | 18.. | 539 990074 | 1.... | RHSNB ¼-20 x ¾ GR2 |
| 6.. | 539 106677 | 4.... | GUIDE | 19.. | 539 990997 | 1.... | WINGNUT ¼-20, NYLOC |
| 7.. | 539 976978 | .. 20.... | NUT ¼-20 NYLOC | 20.. | 539 107246 | 2.... | WINDOW CLIP |
| 8.. | 539 106678 | 1.... | GATE | 21.. | 540 200140 | 1.... | DECAL, SEED APPLICATION |
| 9.. | 539 109375 | 1.... | SHIELD | 22.. | 540 200143 | 1.... | DECAL, OPEN CLOSE |
| 10.. | 539 990639 | 2.... | HCS ¼-20 x 1½ | 23.. | 539 052931 | 1.... | CABLE CLAMP |
| 11.. | 539 052551 | 1.... | SEEDER CABLE | 24.. | 539 976856 | 3.... | WIRE TIE |
| 12.. | 539 106680 | 1.... | MOUNT | 25.. | 539 990055 | 2.... | WASHER ¼ SAE |
| 13.. | 539 107357 | 1.... | SEED DIAL | | | | |

ACCESSORIES

BAGGER



ACCESSORIES

| ITEM | PART NO. | QTY. | DESCRIPTION | ITEM | PART NO. | QTY. | DESCRIPTION |
|------|------------|------------|--|------|------------|------------|--|
| 1.. | 539 130841 | 1.... | CHUTE w/ SAFETY DECAL | 20.. | 539 990692 | 1.... | WASHER ⁵ / ₁₆ |
| 2.. | 539 106803 | 1.... | TRAY, BAGGER | 21.. | 539 106827 | 1.... | CABLE |
| 3.. | 539 107242 | 1.... | FRAME, BAG | 22.. | 539 976856 | 2.... | WIRE TIE |
| 4.. | 539 106846 | 2.... | EXTENDER | 23.. | 539 106848 | 2.... | LANYARD |
| 5.. | 539 106835 | 1.... | DOOR, SAFETY | 24.. | 539 109304 | 2.... | RETAINING RING |
| 6.. | 539 990209 | 6.... | HCS ⁵ / ₁₆ -18 x 1 | 25.. | 539 107316 | 2.... | SIDESHIELD |
| 7.. | 539 990717 | .. 10.... | NUT ⁵ / ₁₆ -18 NYLOC | 26.. | 539 107244 | 1.... | DECAL, HANDLE PIN |
| 8.. | 539 990580 | .. 17.... | HCS ¹ / ₄ -20 x ³ / ₄ | 27.. | 539 976982 | 4.... | WASHER ⁵ / ₈ SAE |
| 9.. | 539 976978 | .. 17.... | NUT ¹ / ₄ -20 NYLOC | 28.. | 539 976438 | 1.... | SPRING |
| 10.. | 539 990669 | 3.... | HCS ⁵ / ₁₆ -18 x 1 ³ / ₄ | 29.. | 539 990297 | 1.... | PIN ¹ / ₈ x 1 ¹ / ₄ COTTER |
| 11.. | 539 990585 | 3.... | NUT ⁵ / ₁₆ LOCK | 30.. | 539 990037 | 2.... | PIN ³ / ₄ COTTER |
| 12.. | 539 990588 | 2.... | HCS ³ / ₈ -16 x 2 | 31.. | 539 110865 | 1.... | GRIP |
| 13.. | 539 976979 | 4.... | HN ³ / ₈ , NYLOC | 32.. | 539 990517 | 1.... | WASHER ³ / ₈ |
| 14.. | 539 990613 | 2.... | NUT ³ / ₈ LOCK | 33.. | 539 990861 | 1.... | RHSNB ⁵ / ₁₆ -18 x 1 ³ / ₄ |
| 15.. | 540 005464 | 1.... | BAG | 34.. | 539 110982 | 1.... | CLAMP, BAG |
| 16.. | 539 108143 | 1.... | DECAL, BAGGING | 35.. | 539 130836 | 1.... | BELT |
| 17.. | 539 990563 | 2.... | HCS ³ / ₈ -16 x 1 | 36.. | 539 113784 | 1.... | PULLEY |
| 18.. | 539 107315 | 2.... | SPRING, BAGGER | 37.. | 539 102717 | 2.... | SCREW ⁵ / ₁₆ -18 x ⁵ / ₈ SET |
| 19.. | 539 005187 | .. 24.... | BLADE, RAKE | | | | |