

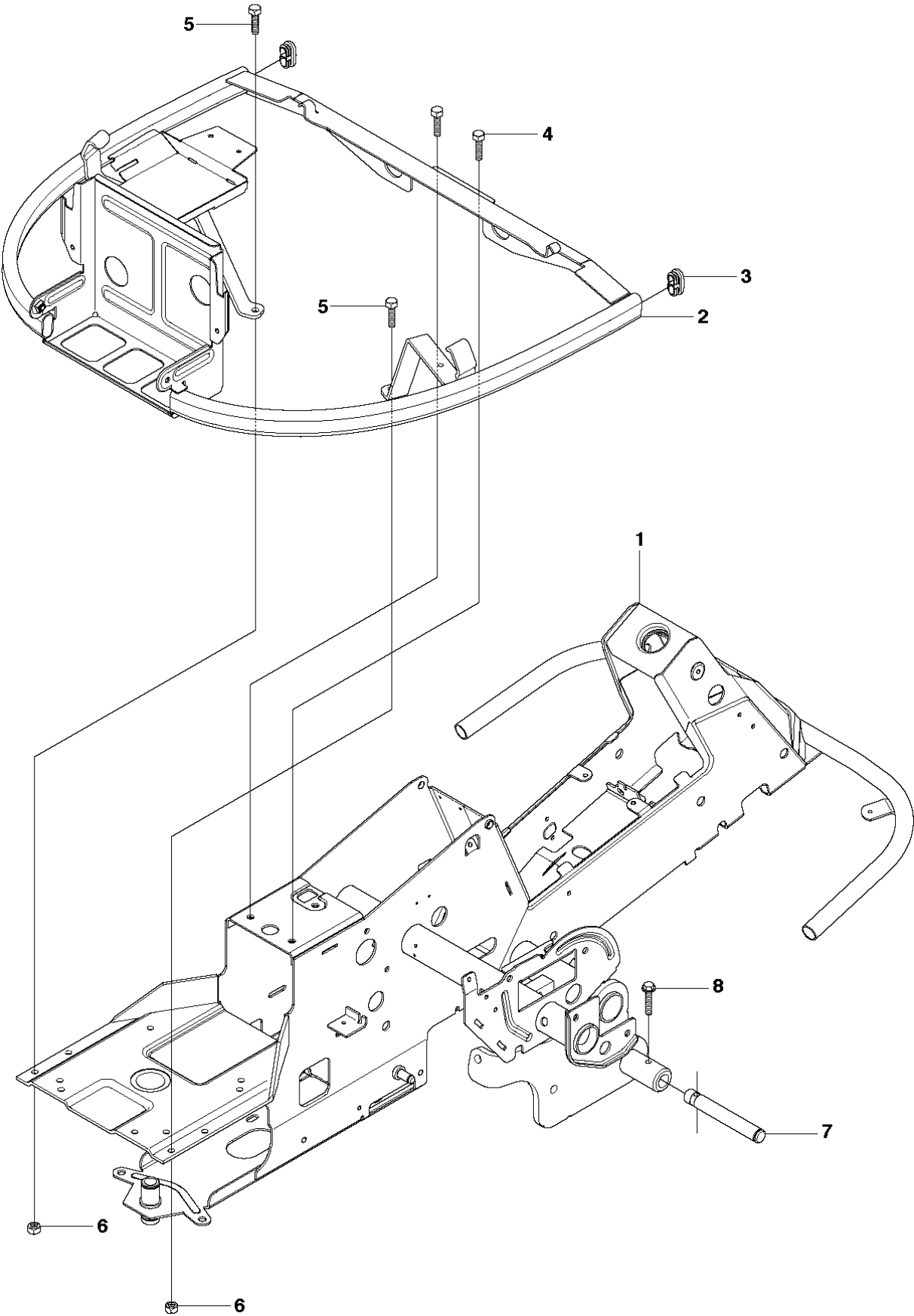


# SPARE PARTS LIST

RIDERS

RIDER 18, 966414001, 2010-03

R18  
CHASSIS

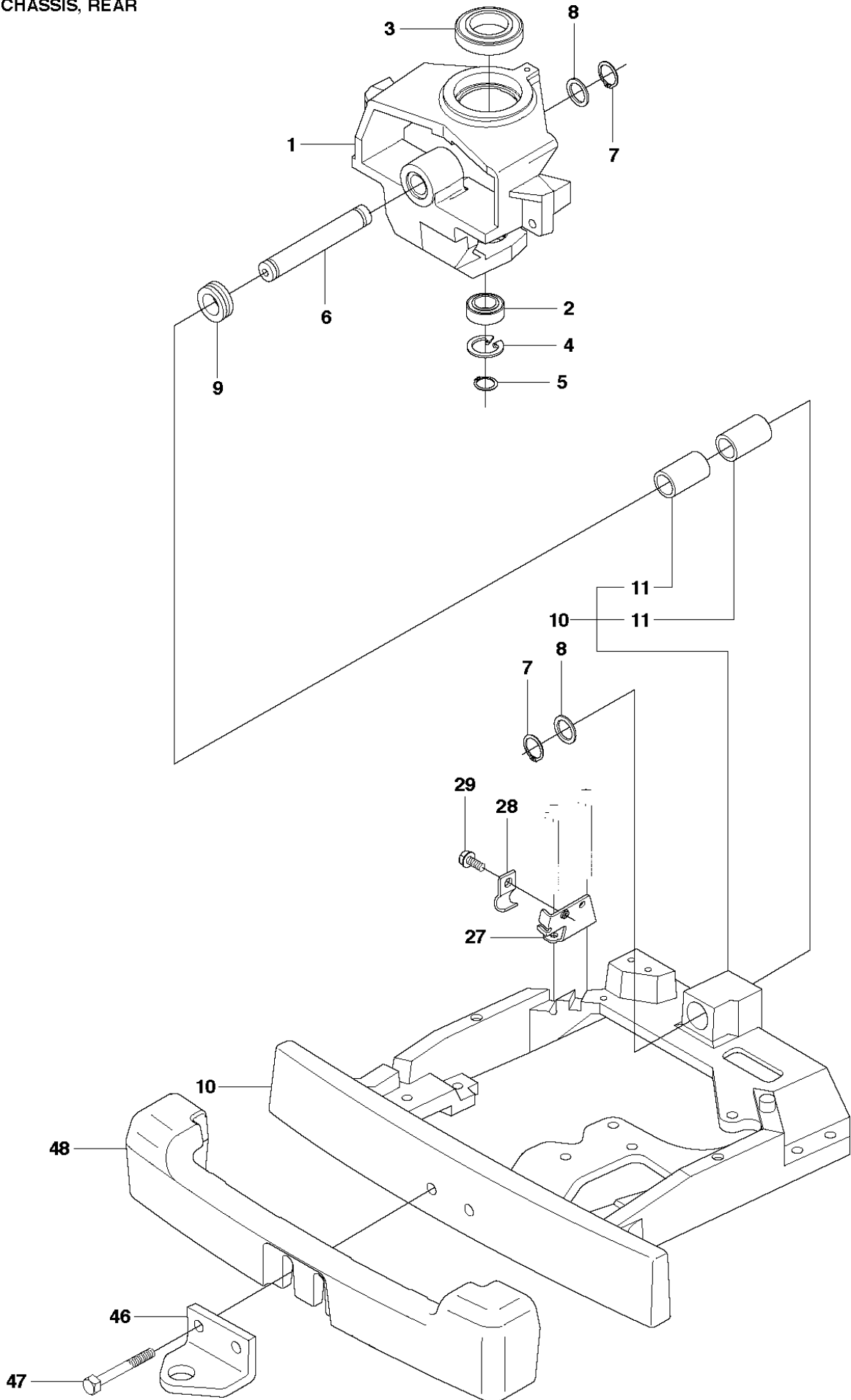


## CHASSIS / FRAME

RIDER 18, 966414001, 2010-03

Ref	Part No	Description	Remark	QTY KIT
1	544 84 23-01	FRAME		1
2	544 24 42-04	ENGINE FRAME		1
3	544 24 44-01	PLUG		2
4	506 57 01-03	SCREW EHHFM		2
5	725 24 51-71	SCREW EHHM		2
6	732 21 18-01	LOCK NUT		2
7	535 47 08-01	WHEEL AXLE		2
8	725 24 59-61	SCREW EHHFT		2

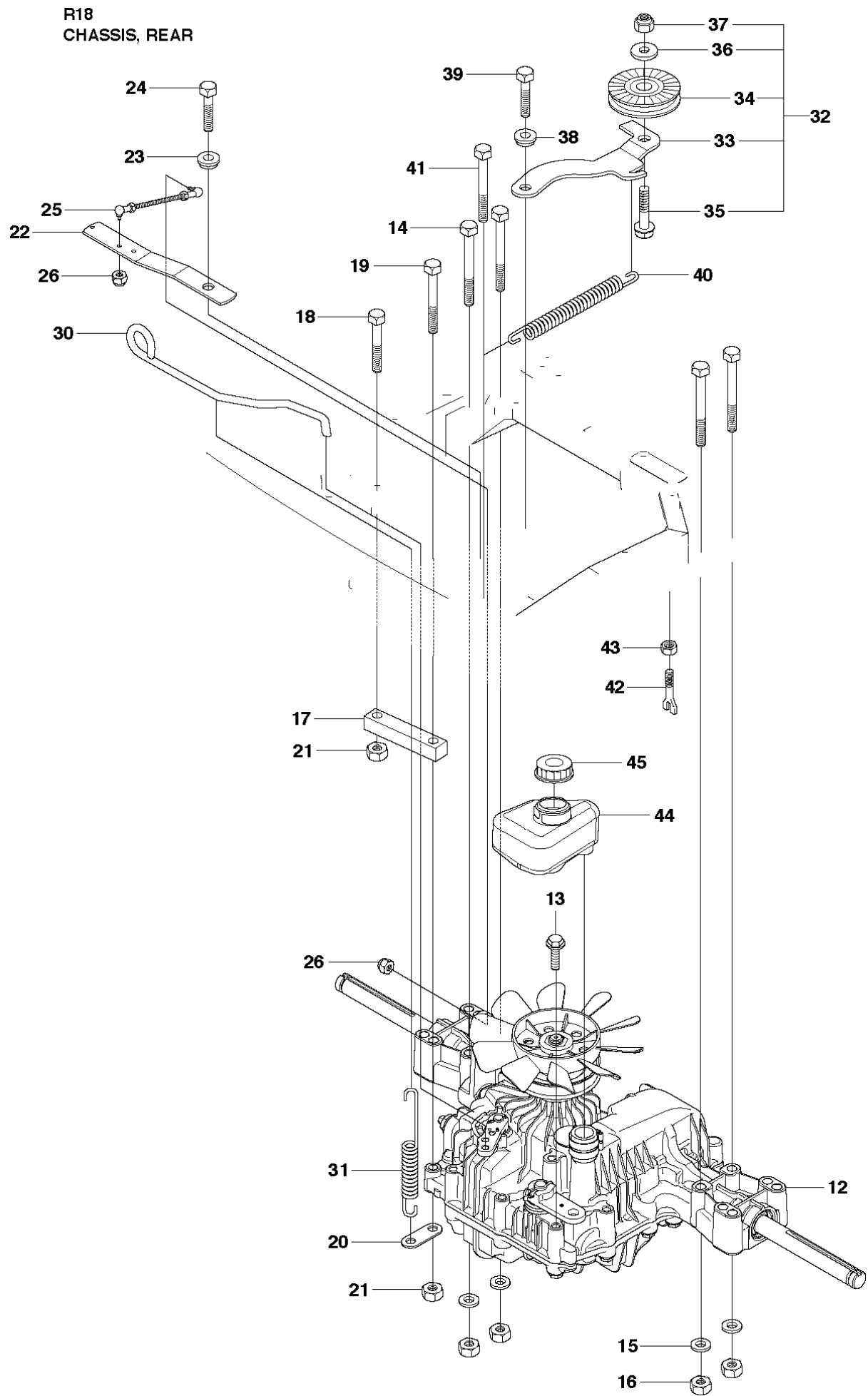
R18  
CHASSIS, REAR



## CHASSIS REAR

RIDER 18, 966414001, 2010-03

Ref	Part No	Description	Remark	QTY KIT
1	506 98 58-03	SPINDLE		
2	738 21 05-04	BALL BEARING		
3	738 21 10-04	BALL BEARING		
4	735 31 40-10	CIRCLIP		
5	735 31 26-00	CIRCLIP		
6	506 98 59-01	SWING AXLE		
7	735 31 26-00	CIRCLIP		
8	506 77 34-01	WASHER		
9	740 68 14-21	V-RING		
10	535 40 60-01	BRACKET		
11	506 98 61-02	GLIDLAGER		10
27	506 98 77-01	BRACKET		
28	506 56 65-01	CLIP		
29	725 23 64-61	SCREW EHHFT		
46	506 88 99-01	HITCH		
47	725 25 00-51	SCREW EHHM		
48	544 03 96-02	COUNTERWEIGHT		

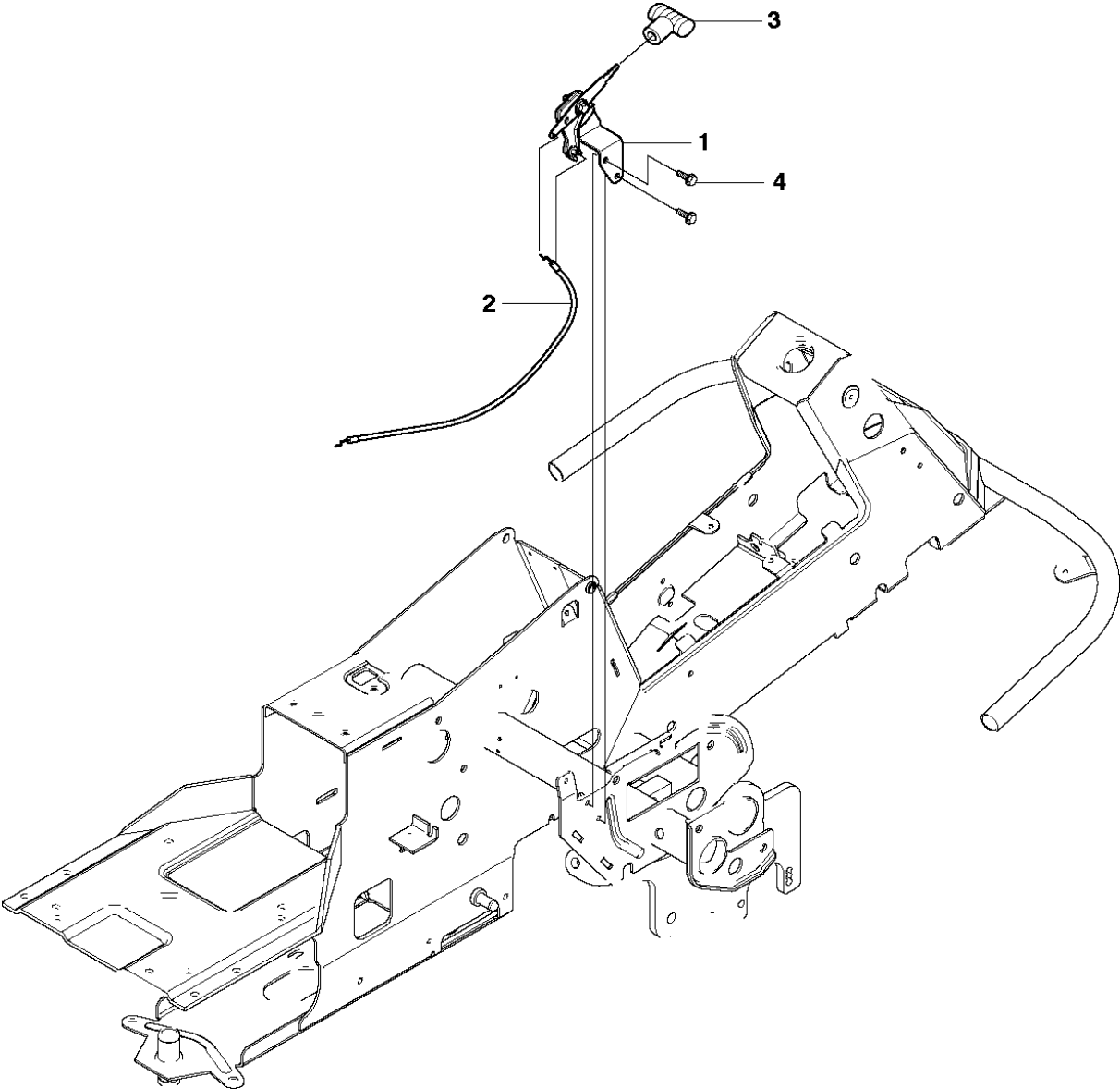


## CHASSIS REAR

RIDER 18, 966414001, 2010-03

Ref	Part No	Description	Remark	QTY	KIT
12	506 98 63-01	TRANSMISSION		1	
13	506 55 83-02	SCREW EHHFT		1	
14	725 24 67-51	SCREW EHHM		4	
15	734 11 64-01	WASHER		4	
16	731 23 18-01	HEXAGON NUT		4	
17	506 98 72-01	MOMENTFÄSTE		1	
18	725 24 59-51	SCREW EHHM		1	
19	725 24 62-51	SCREW EHHM		1	
20	506 59 93-01	LINK		1	
21	731 23 18-01	HEXAGON NUT		2	
22	506 98 74-03	LEVER		1	
23	506 91 87-02	WASHER		1	
24	725 24 51-51	SCREW		1	
25	506 98 75-01	ADJUSTMENT ROD		1	
26	732 21 14-01	LOCK NUT		2	
30	506 98 82-01	FRIKOPPLINGSSTÅNG		1	
31	506 83 43-01	SPRING		1	
32	506 98 84-01	BELT TENSIONER ASSY		1	
33	506 98 85-01	BELT TENSIONER		1	32
34	506 94 69-01	BELT TENS WHEEL ASSY		1	32
35	725 24 55-51	SCREW		1	32
36	734 11 64-41	WASHER		1	32
37	732 21 18-01	LOCK NUT		1	32
38	506 91 87-02	WASHER		1	
39	725 24 51-51	SCREW		1	
40	506 98 86-01	SPRING		1	
41	725 24 64-51	SCREW EHHM		1	
42	506 98 88-01	PENDULUM		1	
43	731 23 20-51	HEXAGON NUT		1	
44	506 98 90-01	EXPANSION TANK		1	
45	506 98 80-01	TANK CAP ASSY		1	

R18  
CONTROLS



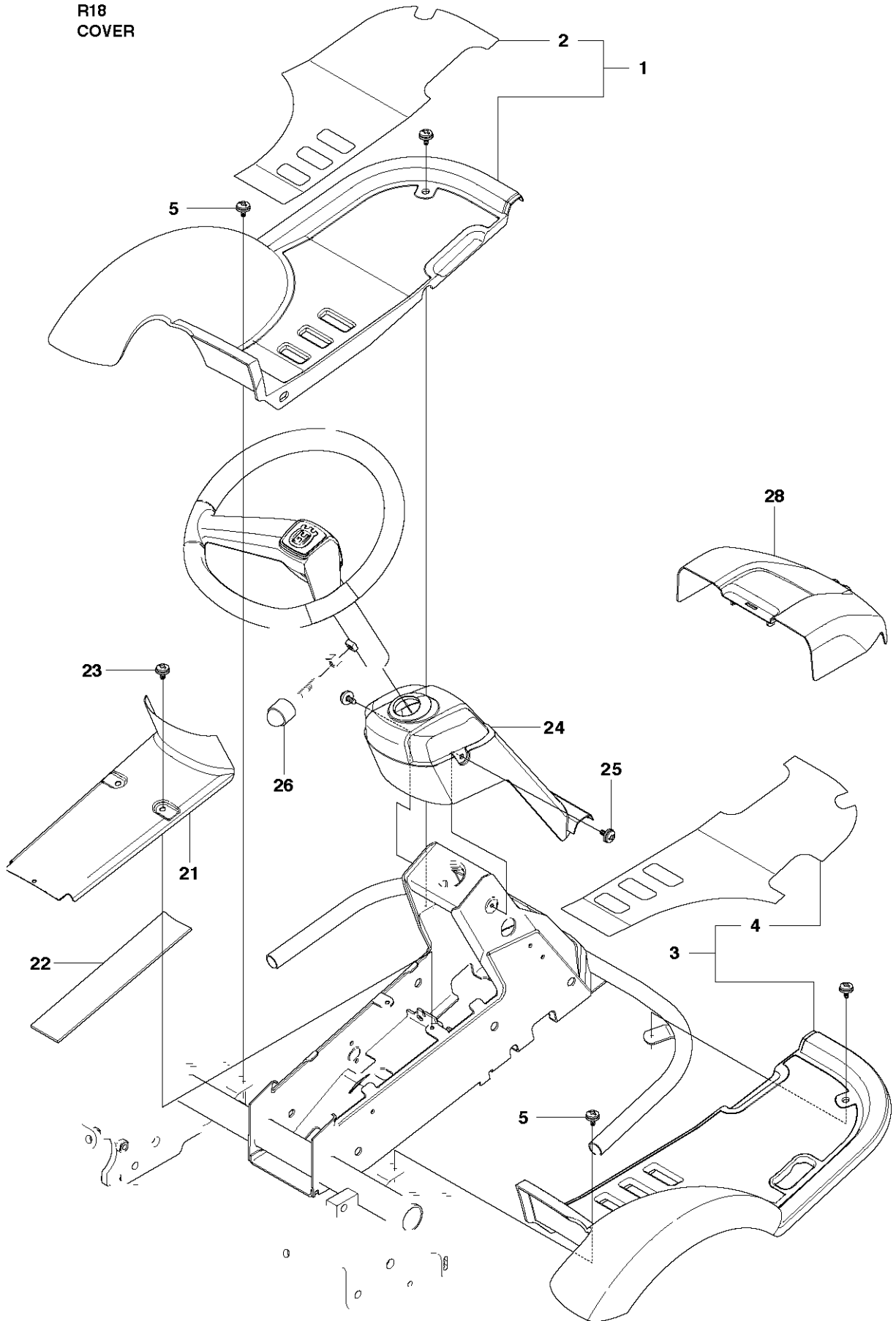


## CONTROLS

RIDER 18, 966414001, 2010-03

Ref	Part No	Description	Remark	QTY KIT
1	544 30 15-01	THROTTLE CONTROL ASSY		1
2	544 30 17-01	WIRE		1
3	506 88 91-01	KNOB		1
4	725 23 64-61	SCREW EHHFT		2

R18  
COVER

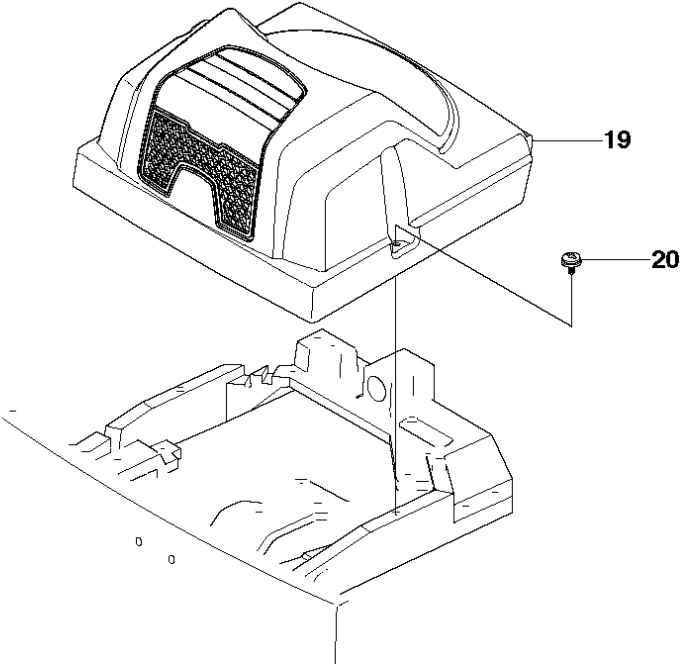
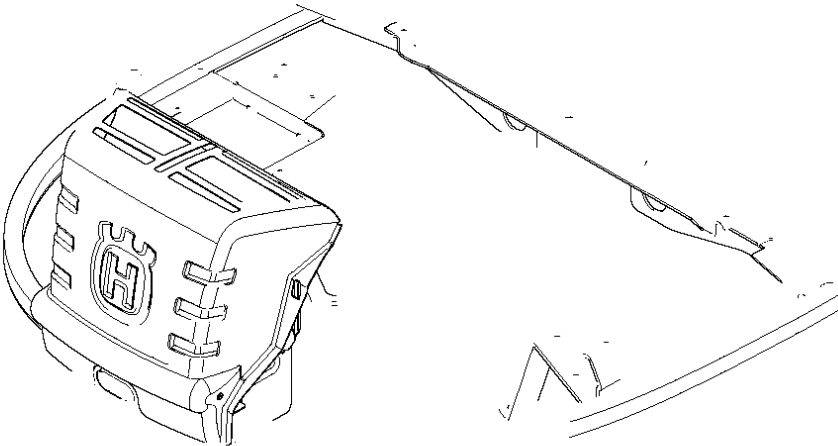
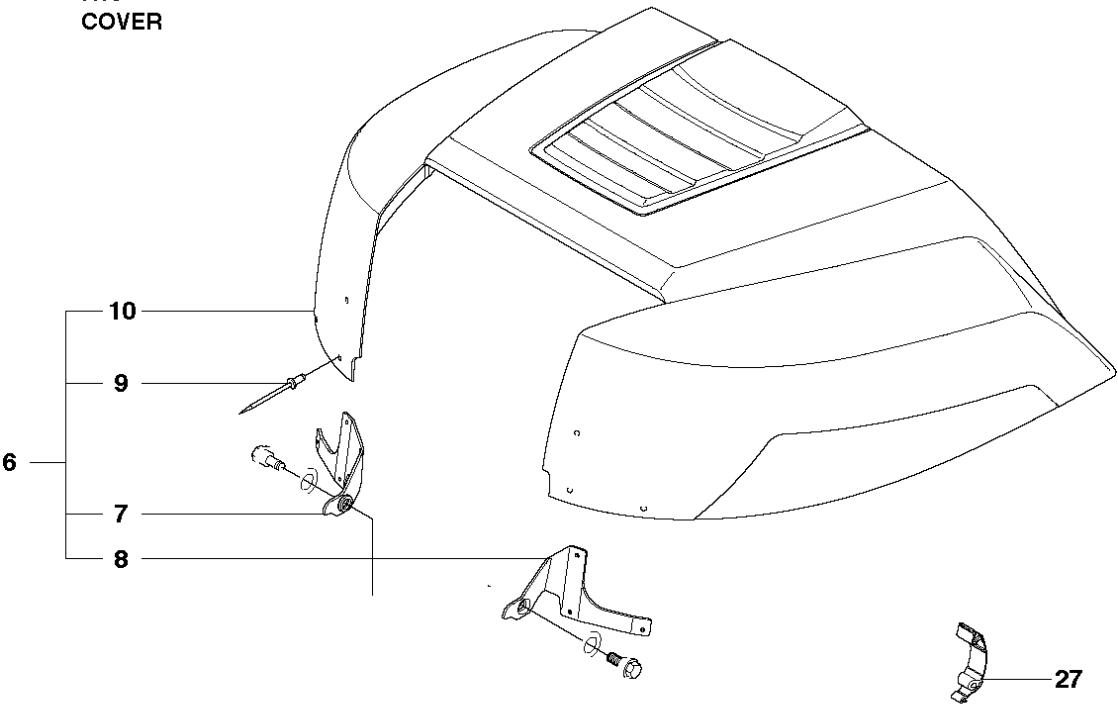


## COVER

RIDER 18, 966414001, 2010-03

Ref	Part No	Description	Remark	QTY	KIT
1	544 89 59-01	FOOT PLATE		1	
2	544 24 84-01	MAT		1	1
3	544 89 59-03	FOOT PLATE		1	
4	544 24 84-03	MAT		1	3
5	544 40 05-01	SCREW		4	
21	544 23 92-01	COVER		1	
22	544 42 75-01	MAT		1	
23	544 40 05-01	SCREW		2	
24	544 32 65-01	COVER		1	
25	544 40 05-01	SCREW		2	
26	544 43 32-01	PROTECTIVE COVER		1	
28	525 56 24-01	UNIT COVER		1	

R18  
COVER

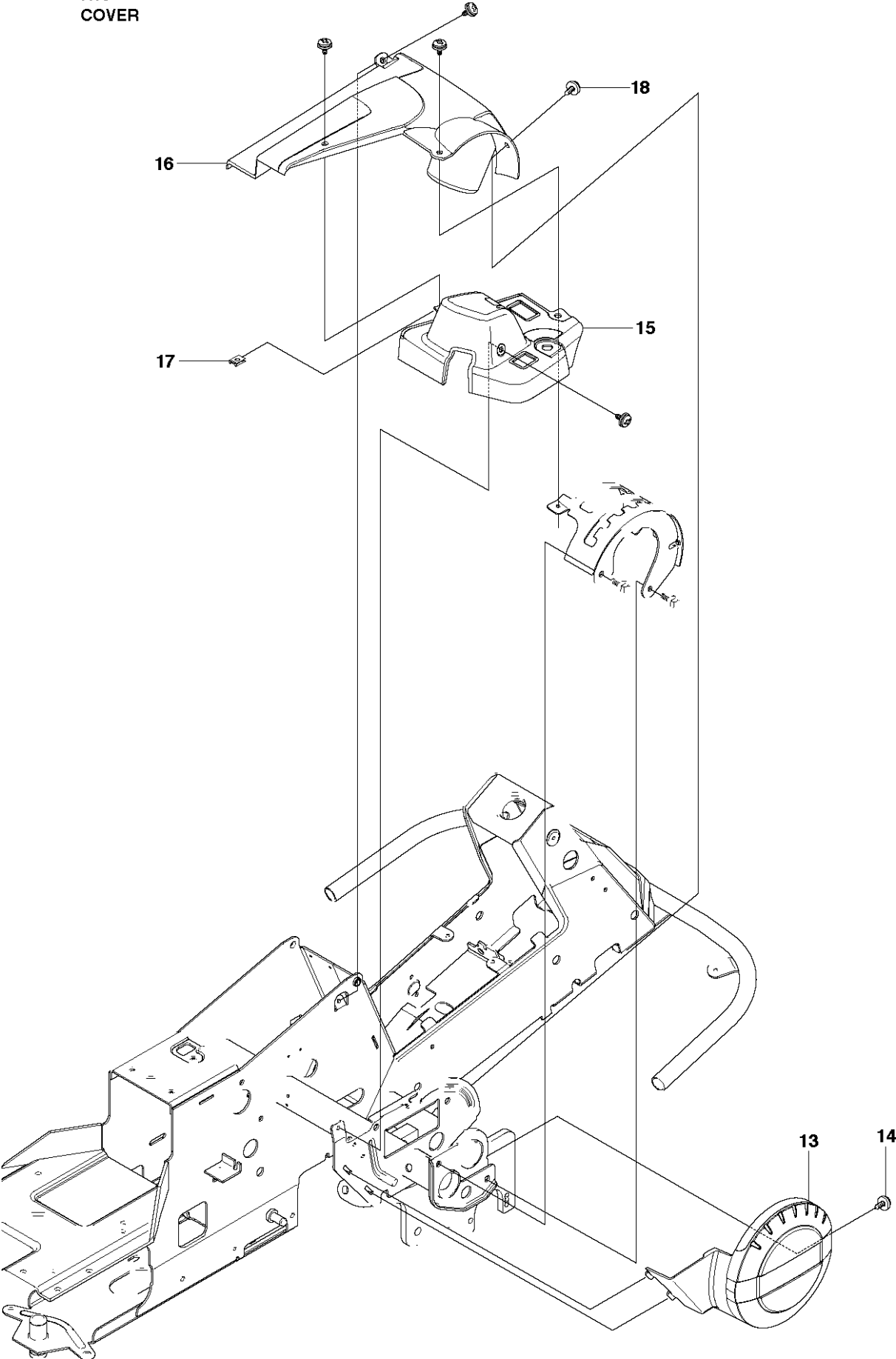


## COVER

RIDER 18, 966414001, 2010-03

Ref	Part No	Description	Remark	QTY	KIT
6	544 24 50-04	ENGINE HOOD ASSY		1	
7	544 24 51-01	HINGE		1	6
8	544 24 51-02	HINGE		1	6
9	722 79 54-02	RIVET		6	6
10	544 24 52-02	ENGINE HOOD ASSY		1	
19	544 37 39-01	COVER		1	
20	544 40 05-01	SCREW		2	
27	503 89 47-03	SNAP		1	

R18  
COVER

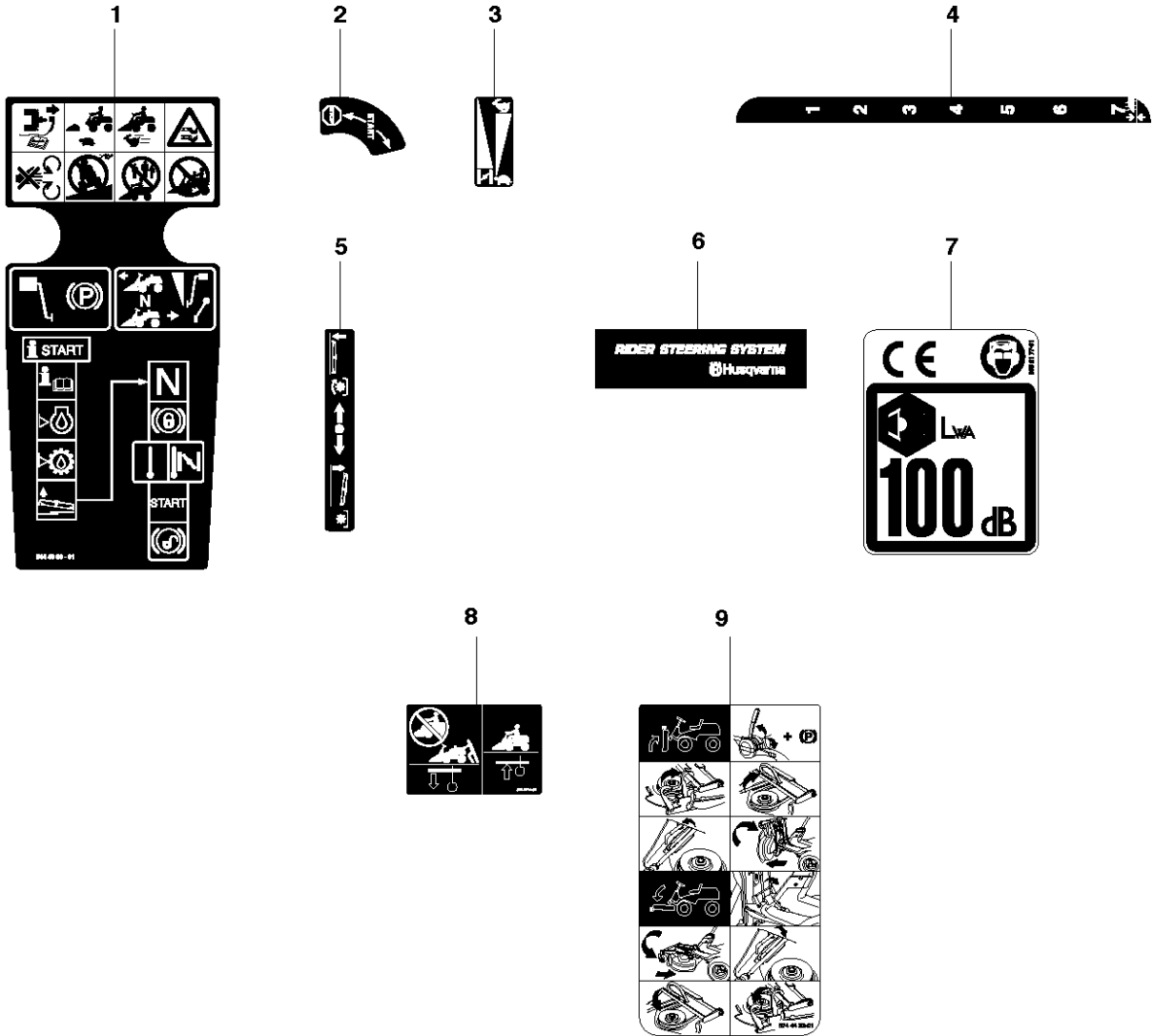


## COVER

RIDER 18, 966414001, 2010-03

Ref	Part No	Description	Remark	QTY KIT
13	535 50 25-01	CONTROL COVER		1
14	544 40 05-01	SCREW		1
15	544 33 21-03	CONTROL COVER		1
16	544 33 22-02	COVER		1
17	535 42 91-01	SPRING NUT		1
18	544 40 05-01	SCREW		4

**R** R18  
DECALS



10

11

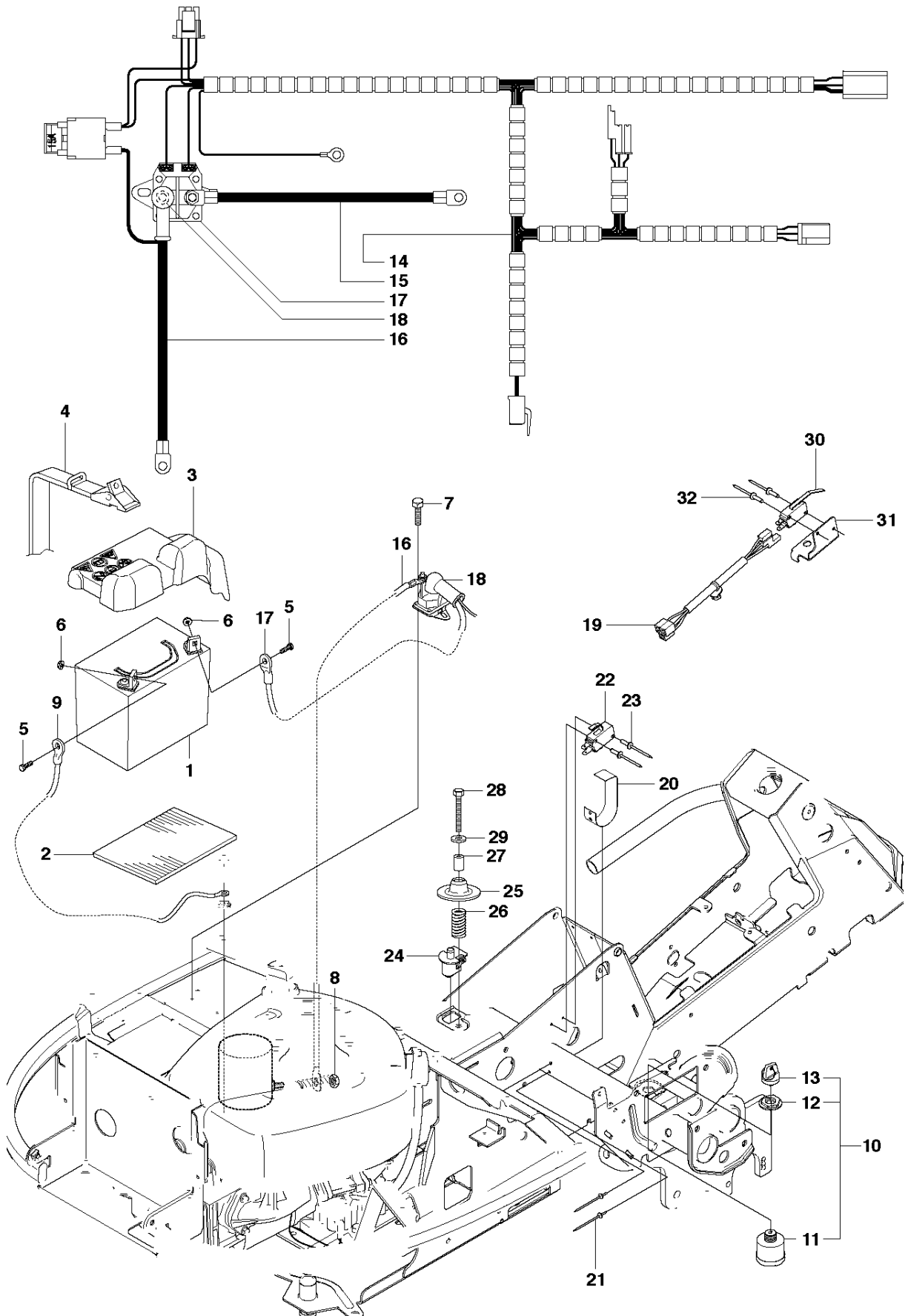


## DECALS

RIDER 18, 966414001, 2010-03

Ref	Part No	Description	Remark	QTY KIT
1	544 43 86-01	LABEL		1
2	544 43 87-01	LABEL		1
3	544 43 89-01	LABEL		1
4	544 43 90-02	LABEL		1
5	544 43 92-01	LABEL		1
6	544 83 36-01	LABEL		1
7	505 21 77-01	LABEL		1
8	544 21 14-01	LABEL		1
9	574 44 32-01	LABEL		1
10	575 22 69-01	DECAL		1
11	575 22 69-02	DECAL		1

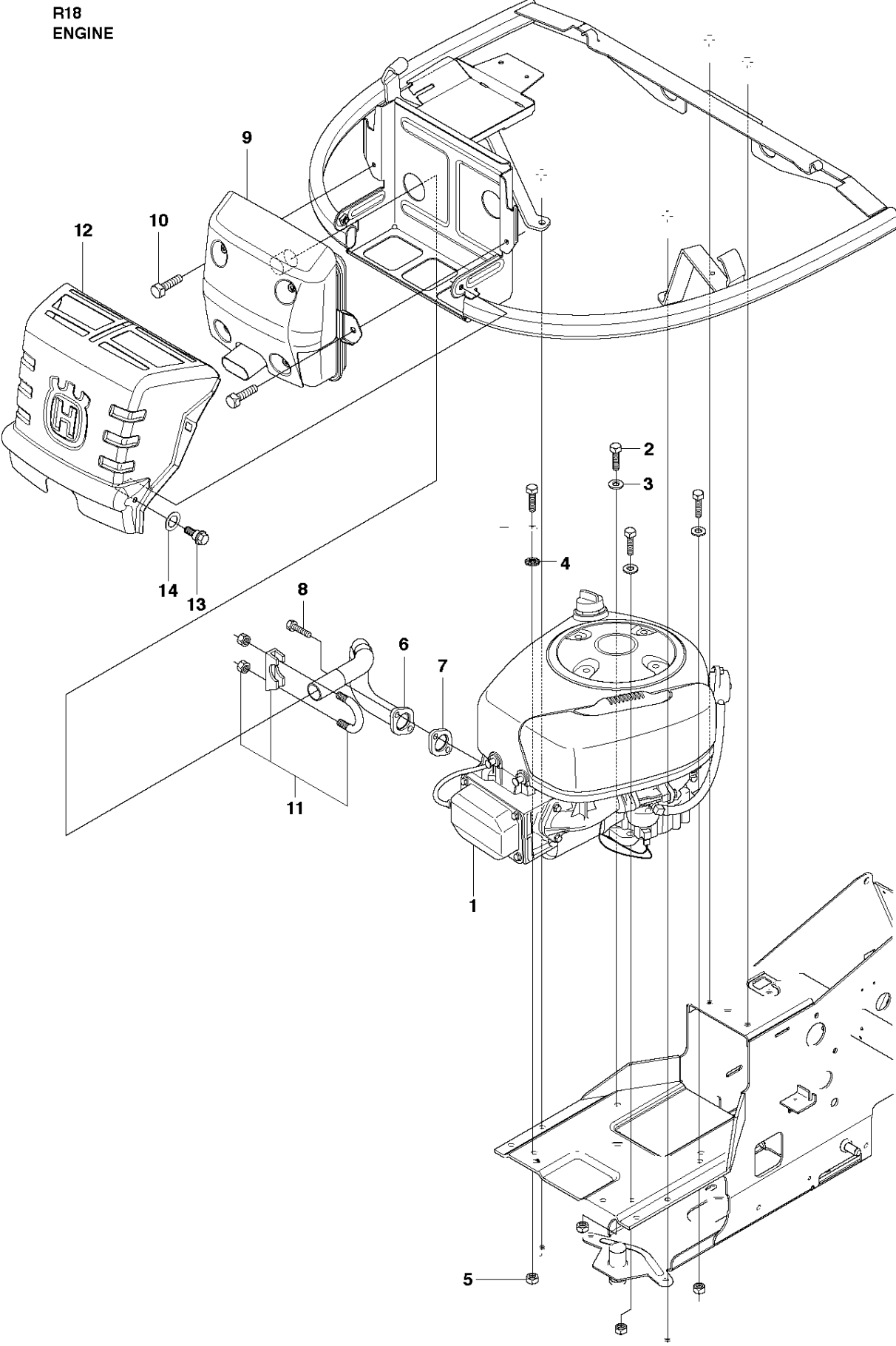
R18  
ELECTRICAL



## ELECTRICAL

RIDER 18, 966414001, 2010-03

Ref	Part No	Description	Remark	QTY	KIT
1	510 13 85-01	BATTERY		1	
2	535 44 11-01	BATTERY MAT		1	
3	510 02 69-01	COVER		1	
4	506 83 68-02	BATTERY BELT		1	
5	522 62 21-01	SCREW EHHM		1	
6	522 62 43-01	NUT		1	
7	725 23 64-61	SCREW EHHFT		1	
8	506 89 98-01	NUT		1	
9	544 96 76-03	CABLE		1	
10	544 44 21-01	IGNITION SWITCH		1	
11	544 44 22-01	IGNITION SWITCH		1	10
12	544 44 23-01	NUT		1	10
13	544 44 24-01	IGNITION KEY		1	10
14	544 92 63-01	WIRING		1	
15	544 92 86-01	CABLE		1	
16	544 92 61-04	CABLE		1	
17	544 43 98-01	RELAY		1	
18	506 89 98-01	NUT		2	
19	576 18 54-01	WIRING		1	
20	506 90 93-01	PLATE SPRING		1	
21	722 78 39-02	BLIND RIVET		2	
22	535 46 91-01	SWITCH		1	
23	544 44 07-01	RIVET		2	
24	506 90 96-01	SWITCH		1	
25	506 90 97-01	SPRING WASHER		1	
26	544 44 12-01	SPRING		1	
27	506 90 99-02	SPACING TUBE		1	
28	725 24 60-51	SCREW EHHM		1	
29	734 11 64-01	WASHER		1	
30	544 41 55-01	SWITCH		1	
31	544 41 57-01	BRACKET		1	
32	544 44 07-01	RIVET		2	

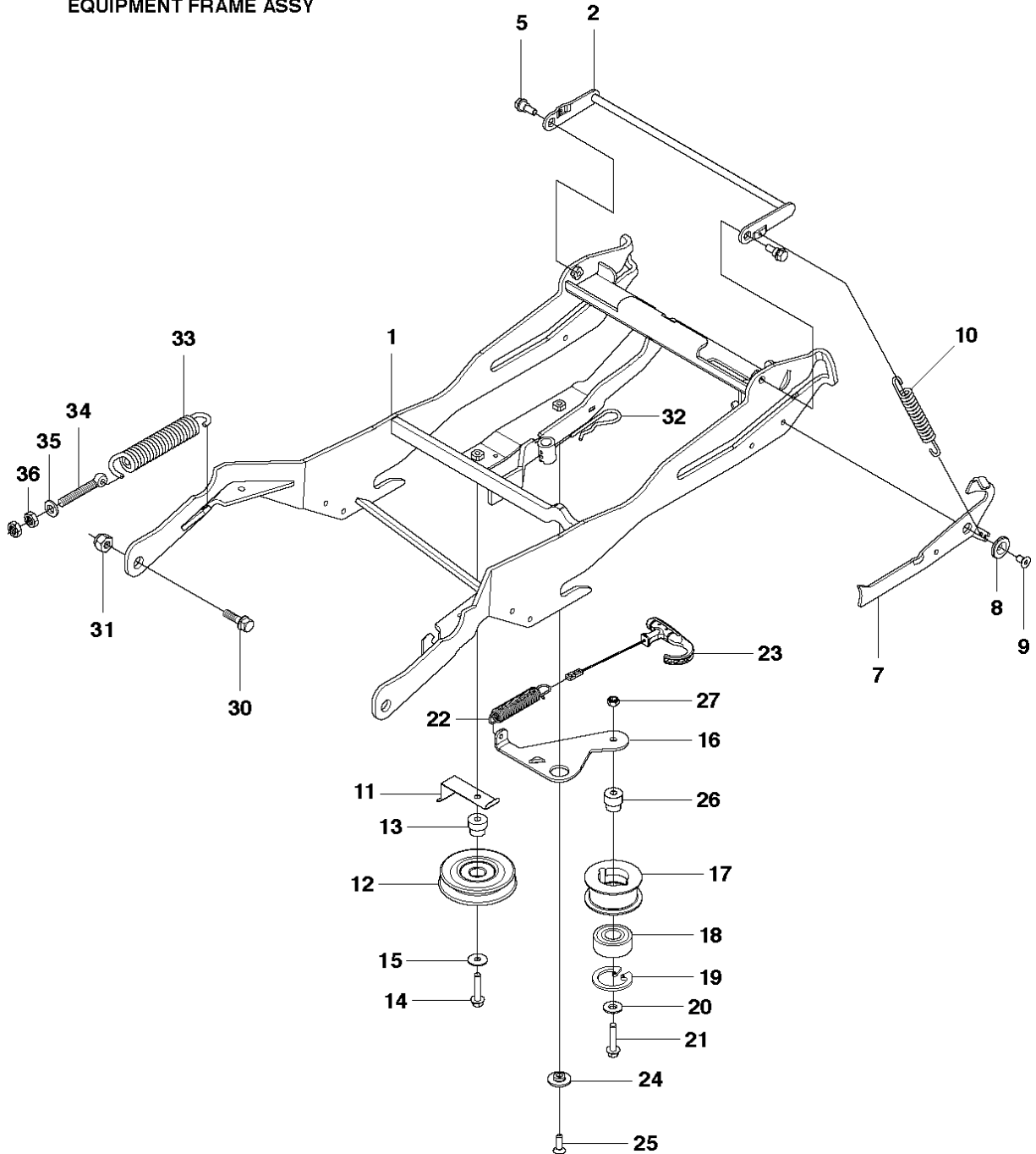


## ENGINE

RIDER 18, 966414001, 2010-03

Ref	Part No	Description	Remark	QTY KIT
1	544 83 31-01	ENGINE		1
2	725 24 57-51	SCREW		4
3	734 11 64-01	WASHER		3
4	735 21 64-00	LOCKWASHER		1
5	732 21 18-01	LOCK NUT		4
6	535 50 06-01	EXHAUST PIPE ASSY		1
7	506 91 45-01	GASKET		1
8	506 55 63-01	SCREW UNC		2
9	544 33 57-01	MUFFLER ASSY		1
10	725 23 64-61	SCREW EHHFT		2
11	506 66 84-01	CLAMP ASSY		1
12	544 24 83-01	HEAT PROTECTOR		1
13	506 59 74-01	SCREW		2
14	506 83 94-01	SPRING WASHER		2

R18  
EQUIPMENT FRAME ASSY

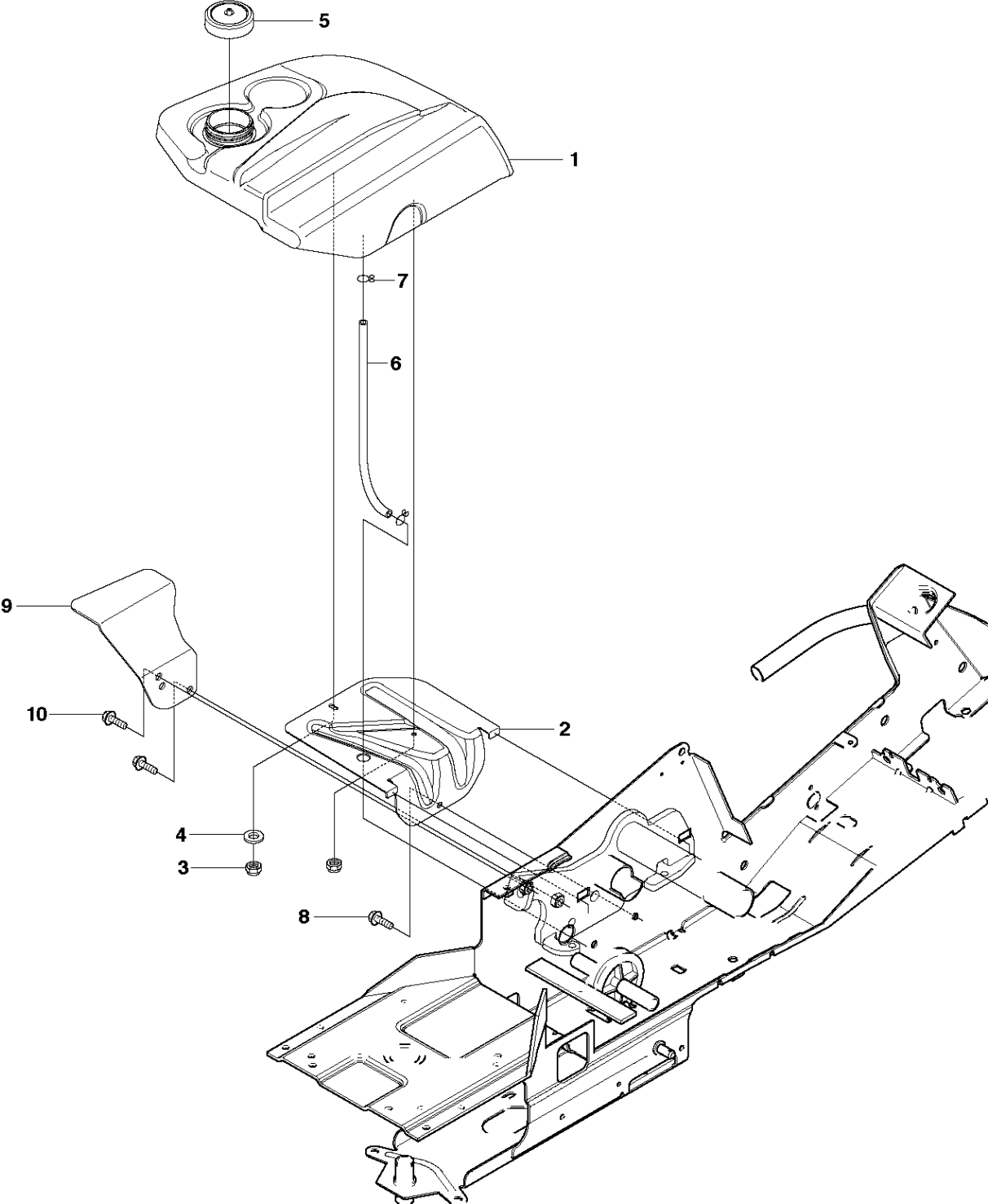


## FRAME

RIDER 18, 966414001, 2010-03

Ref	Part No	Description	Remark	QTY KIT
1	523 06 42-01	EQUIPMENT FRAME		1
2	525 47 59-01	HOOK		1
5	506 59 74-01	SCREW		2
7	523 11 66-02	LEVER		1
8	506 91 87-01	WASHER		1
9	725 64 48-01	SCREW IHCSFM		1
10	506 53 56-03	DRAW SPRING		1
11	525 48 67-01	BELT GUIDE		1
12	506 97 48-01	PULLEY		1
13	506 82 68-02	BUSHING		1
14	725 24 59-51	SCREW EHHM		1
15	734 11 64-41	WASHER		1
16	523 08 37-01	SHEET		1
17	506 92 89-01	PULLEY		1
18	738 21 04-04	BALL BEARING		1
19	735 31 38-10	CIRCLIP		1
20	734 11 64-41	WASHER		1
21	725 24 59-51	SCREW EHHM		1
22	504 62 24-01	SPRING		1
23	504 62 21-02	HANDLE ASSY		1
24	505 45 17-01	WASHER		1
25	725 64 53-01	SCREW IHCSFM		1
26	535 48 48-01	BUSHING		1
27	732 21 18-01	LOCK NUT		1
30	506 89 58-01	COLLAR SCREW		2
31	732 25 22-01	HEXAGON LOCKING NUT		2
32	506 96 66-01	HAIR PIN COTTER		1
33	506 83 76-01	SPRING		2
34	506 83 77-01	RING BOLT		2
35	734 11 72-01	WASHER		2
36	731 23 20-51	HEXAGON NUT		4

R18  
FUEL SYSTEM



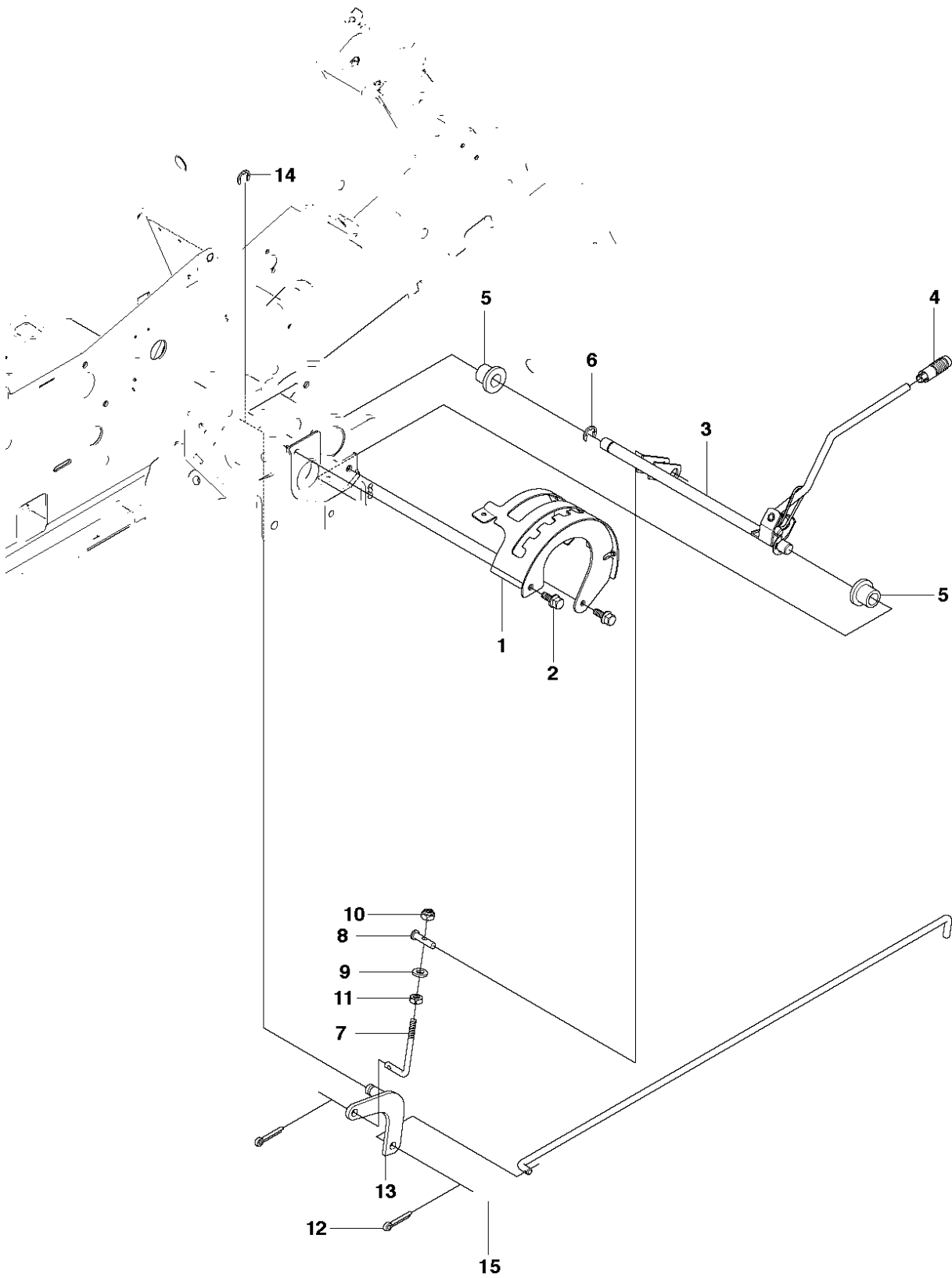


## FUEL SYSTEM

RIDER 18, 966414001, 2010-03

Ref	Part No	Description	Remark	QTY KIT
1	535 50 13-01	FUEL TANK		1
2	544 32 93-01	BRACKET		1
3	732 21 16-01	NUT		2
4	734 11 56-01	WASHER		1
5	506 67 33-01	TANK CAP ASSY		1
6	504 80 00-07	FUEL HOSE		1
7	535 46 97-01	HOSE BRACE		2
8	725 23 64-61	SCREW EHHFT		1
9	501 02 03-01	SUPPORT		1
10	725 24 93-71	SCREW EHHM		2

R18  
HEIGHT ADJUSTMENT

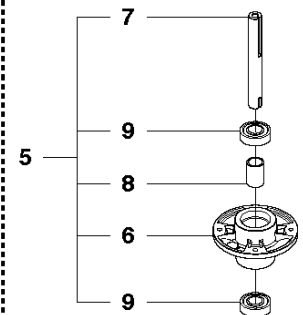
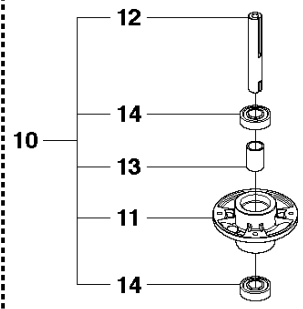
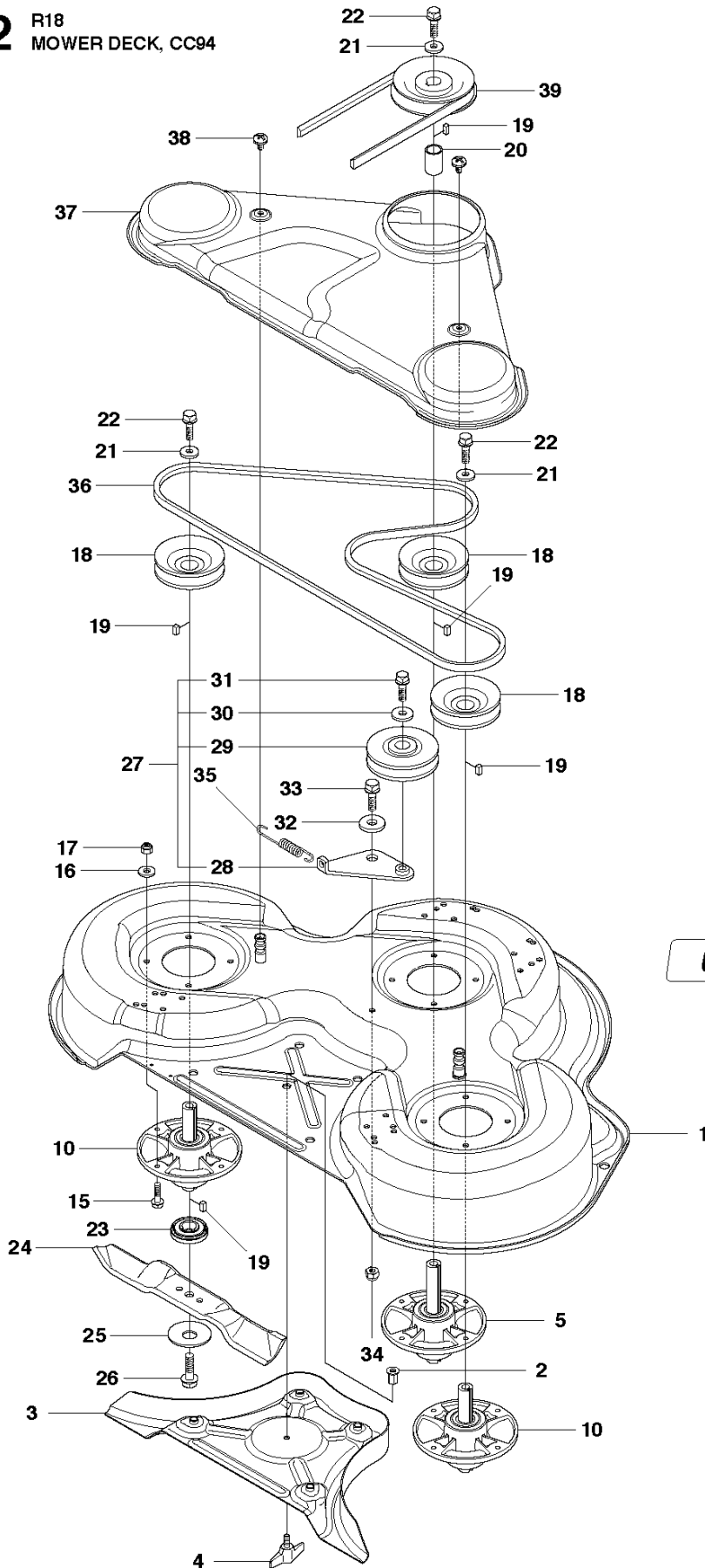


## HEIGHT ADJUSTMENT

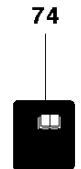
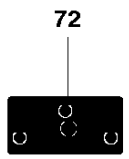
RIDER 18, 966414001, 2010-03

Ref	Part No	Description	Remark	QTY KIT
1	535 50 14-01	CONTROL PLATE		1
2	506 57 01-03	SCREW EHHFM		2
3	504 73 45-01	ADJUSTER		1
4	506 54 20-01	HANDLE		1
5	506 55 43-01	BEARING		2
6	735 31 22-20	E-CLIP		1
7	506 90 82-01	HEIGHT ROD		1
8	506 78 46-01	PEN		1
9	734 11 72-01	WASHER		1
10	732 21 18-01	LOCK NUT		1
11	731 23 18-01	HEXAGON NUT		1
12	721 61 83-01	SPLIT PIN		2
13	525 47 60-01	ADJUSTER		1
14	735 31 15-20	E-CLIP		1
15	523 11 45-01	CONNECTION ROD		1

**T2** R18  
MOWER DECK, CC94



73  
**CombiClip® 94**

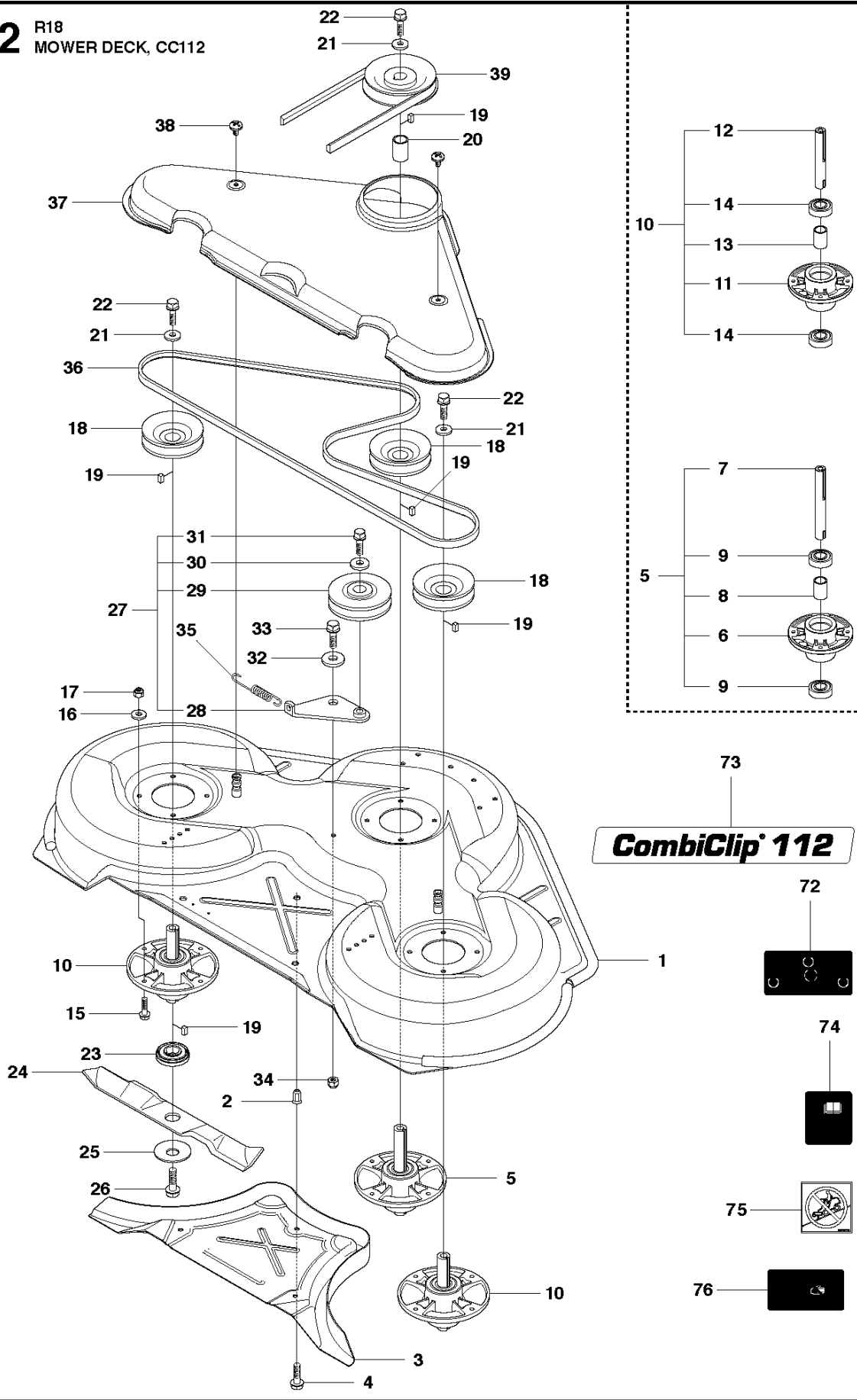


## MOWER DECK / CUTTING DECK

RIDER 18, 966414001, 2010-03

Ref	Part No	Description	Remark	QTY	KIT
1	544 06 57-01	CUTTING DECK		1	
2	506 91 62-01	BLIND RIVET NUT		1	
3	544 06 58-01	PLUG		1	
4	544 06 61-01	KNOB		1	
5	544 06 59-02	BLADE HOUSING ASSY		1	
6	544 06 78-01	BEARING HOUSING		1	5
7	544 06 79-01	SHAFT		1	5
8	544 06 80-01	SPACING SLEEVE		1	5
9	738 23 04-34	BALL BEARING		2	5
10	544 06 59-01	BLADE HOUSING ASSY		2	
11	544 06 78-01	BEARING HOUSING		1	10
12	535 42 87-02	SHAFT		1	10
13	535 42 88-01	SPACER		1	10
14	738 22 05-19	BALL BEARING		2	10
15	535 42 38-01	SCREW RSQM		12	
16	734 11 64-01	WASHER		12	
17	732 21 18-01	LOCK NUT		12	
18	506 92 21-01	PULLEY		3	
19	506 53 35-01	PARALLEL KEY		7	
20	544 06 80-02	SPACING SLEEVE		1	
21	734 11 74-41	WASHER		3	
22	544 11 41-01	SCREW EHHM		3	
23	535 50 42-02	BLADE BRACKET		3	
24	505 54 45-01	RIDE ON BLADE		3	
25	506 79 23-01	KNIFE PLATE		3	
26	544 11 41-01	SCREW EHHM		3	
27	506 54 07-01	BELT TENSIONER ASSY		1	
28	506 51 95-01	SPÄNNARM KPL.		1	27
29	506 53 27-01	PULLEY		1	27
30	734 11 64-41	WASHER		1	27
31	506 55 83-02	SCREW EHHFT		1	27
32	506 91 87-02	WASHER		1	
33	725 24 51-71	SCREW EHHM		1	
34	732 21 18-01	LOCK NUT		1	
35	506 53 31-01	SPRING		1	
36	505 20 86-01	BELT		1	
37	544 06 63-01	BELT COVER		1	
38	544 40 05-01	SCREW		2	
39	506 77 86-01	PULLEY		1	
72	506 78 97-01	LABEL		1	
73	574 21 03-01	DECAL		1	
74	506 92 90-01	LABEL		1	
76	574 51 00-01	DECAL		1	

**V2** R18  
MOWER DECK, CC112



## MOWER DECK / CUTTING DECK

RIDER 18, 966414001, 2010-03

Ref	Part No	Description	Remark	QTY	KIT
1	574 20 95-01	CUTTING DECK		1	
2	506 91 62-01	BLIND RIVET NUT		1	
3	544 44 93-01	PLUG		1	
4	506 57 01-04	SCREW EHHFM		1	
5	544 06 59-02	BLADE HOUSING ASSY		1	
6	544 06 78-01	BEARING HOUSING		1	5
7	544 06 79-01	SHAFT		1	5
8	544 06 80-01	SPACING SLEEVE		1	5
9	738 23 04-34	BALL BEARING		2	5
10	544 06 59-01	BLADE HOUSING ASSY		2	
11	544 06 78-01	BEARING HOUSING		1	10
12	535 42 87-02	SHAFT		1	10
13	535 42 88-01	SPACER		1	10
14	738 23 04-34	BALL BEARING		2	10
15	535 42 38-01	SCREW RSQM		12	
16	734 11 64-01	WASHER		12	
17	732 21 18-01	LOCK NUT		12	
18	506 92 21-01	PULLEY		3	
19	506 53 35-01	PARALLEL KEY		7	
20	544 06 80-02	SPACING SLEEVE		1	
21	734 11 74-41	WASHER		3	
22	544 11 41-01	SCREW EHHM		3	
23	535 50 42-02	BLADE BRACKET		3	
24	544 10 28-01	RIDE ON BLADE		3	
25	506 79 23-01	KNIFE PLATE		3	
26	544 11 41-01	SCREW EHHM		3	
27	506 54 07-01	BELT TENSIONER ASSY		1	
28	506 51 95-01	SPÄNNARM KPL.		1	27
29	506 53 27-01	PULLEY		1	27
30	734 11 64-41	WASHER		1	27
31	506 55 83-02	SCREW EHHFT		1	27
32	506 91 87-02	WASHER		1	
33	725 24 51-71	SCREW EHHM		1	
34	732 21 18-01	LOCK NUT		1	
35	506 53 31-01	SPRING		1	
36	535 41 19-01	BELT		1	
37	544 09 62-01	BELT COVER		1	
38	544 40 05-01	SCREW		2	
39	506 77 86-01	PULLEY		1	
72	506 78 97-01	LABEL		1	
73	574 21 03-03	DECAL		1	
74	506 92 90-01	LABEL		1	
76	574 51 00-01	DECAL		1	

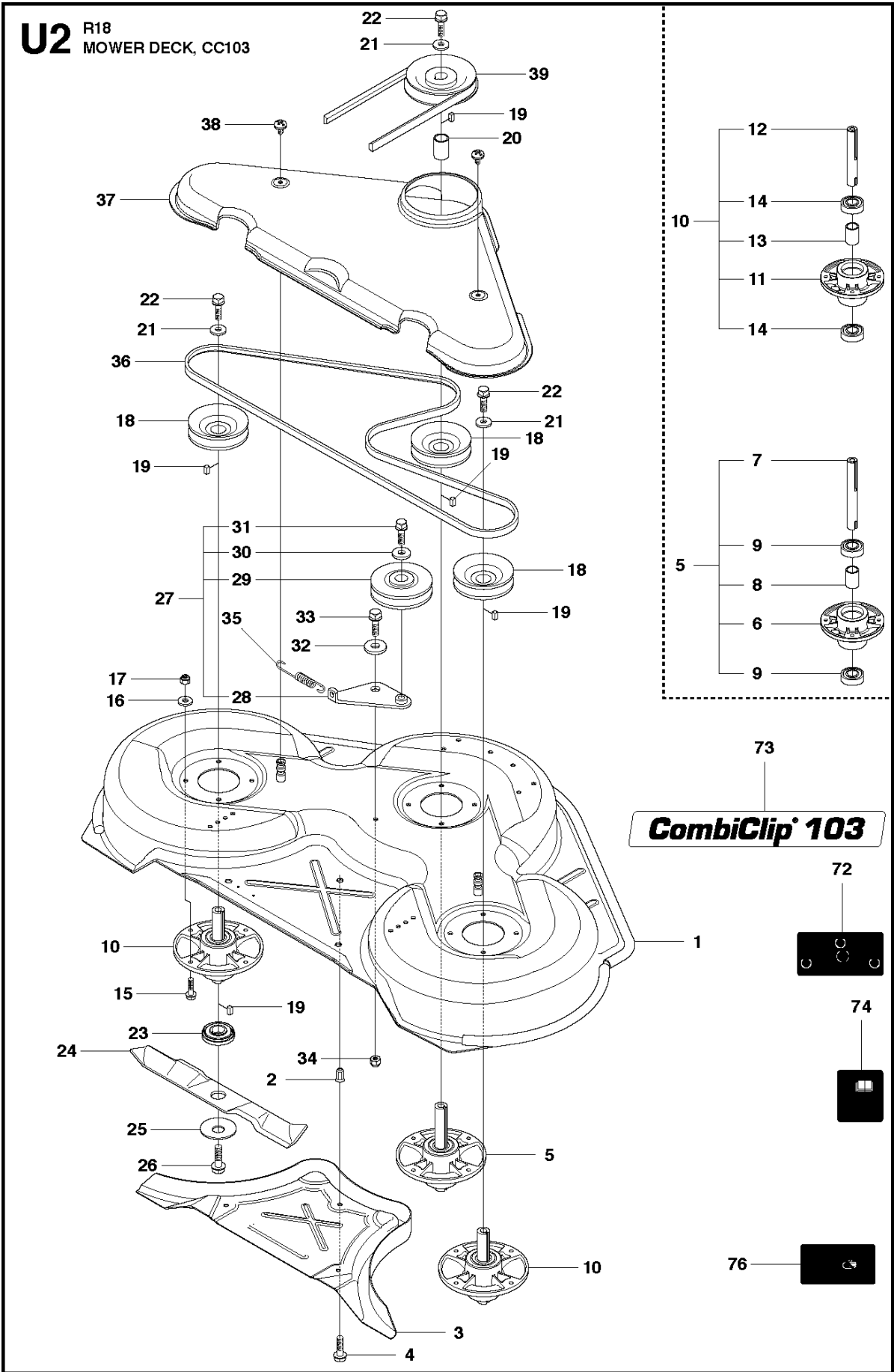


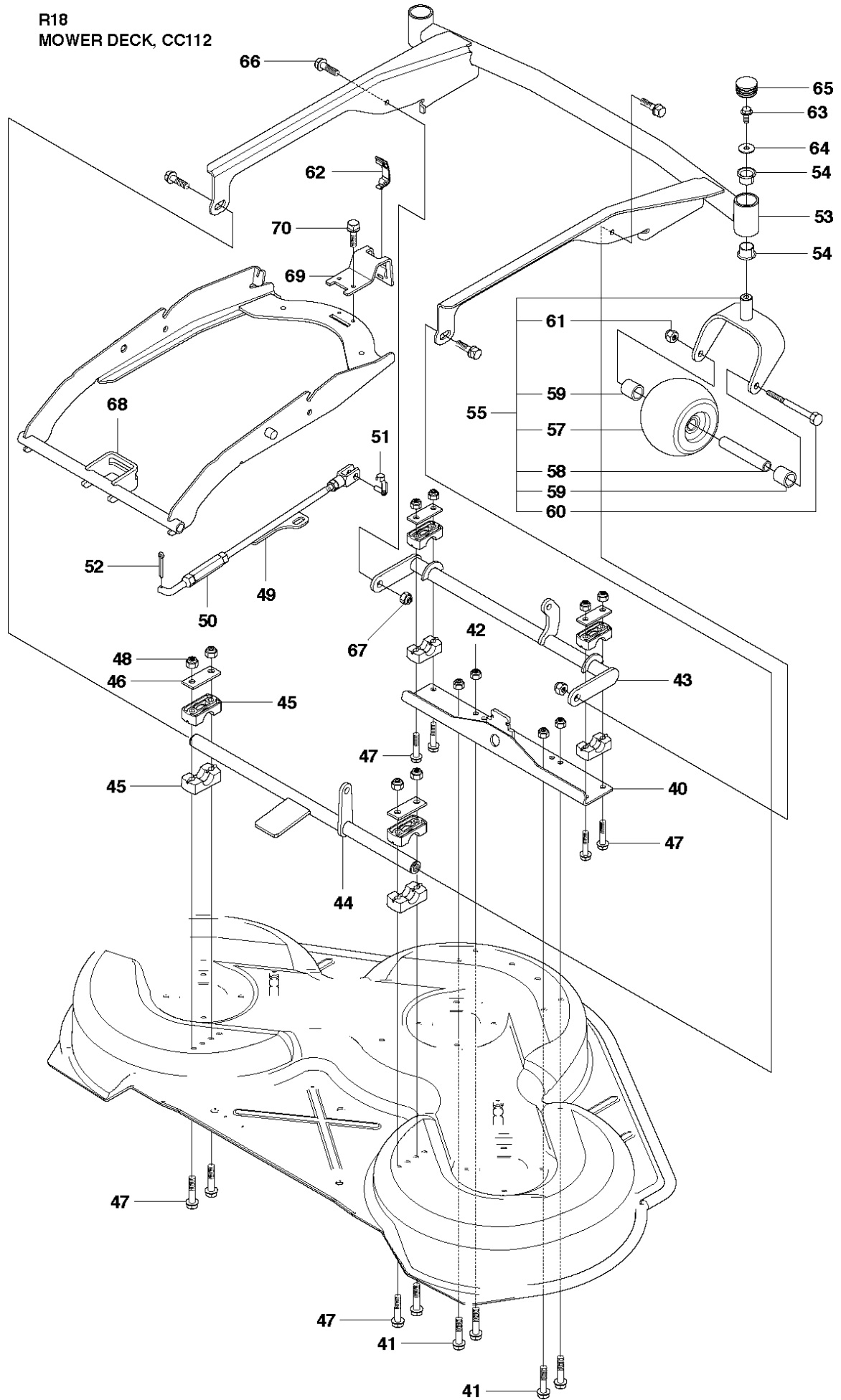
Image name: 606211405.L



## MOWER DECK / CUTTING DECK

RIDER 18, 966414001, 2010-03

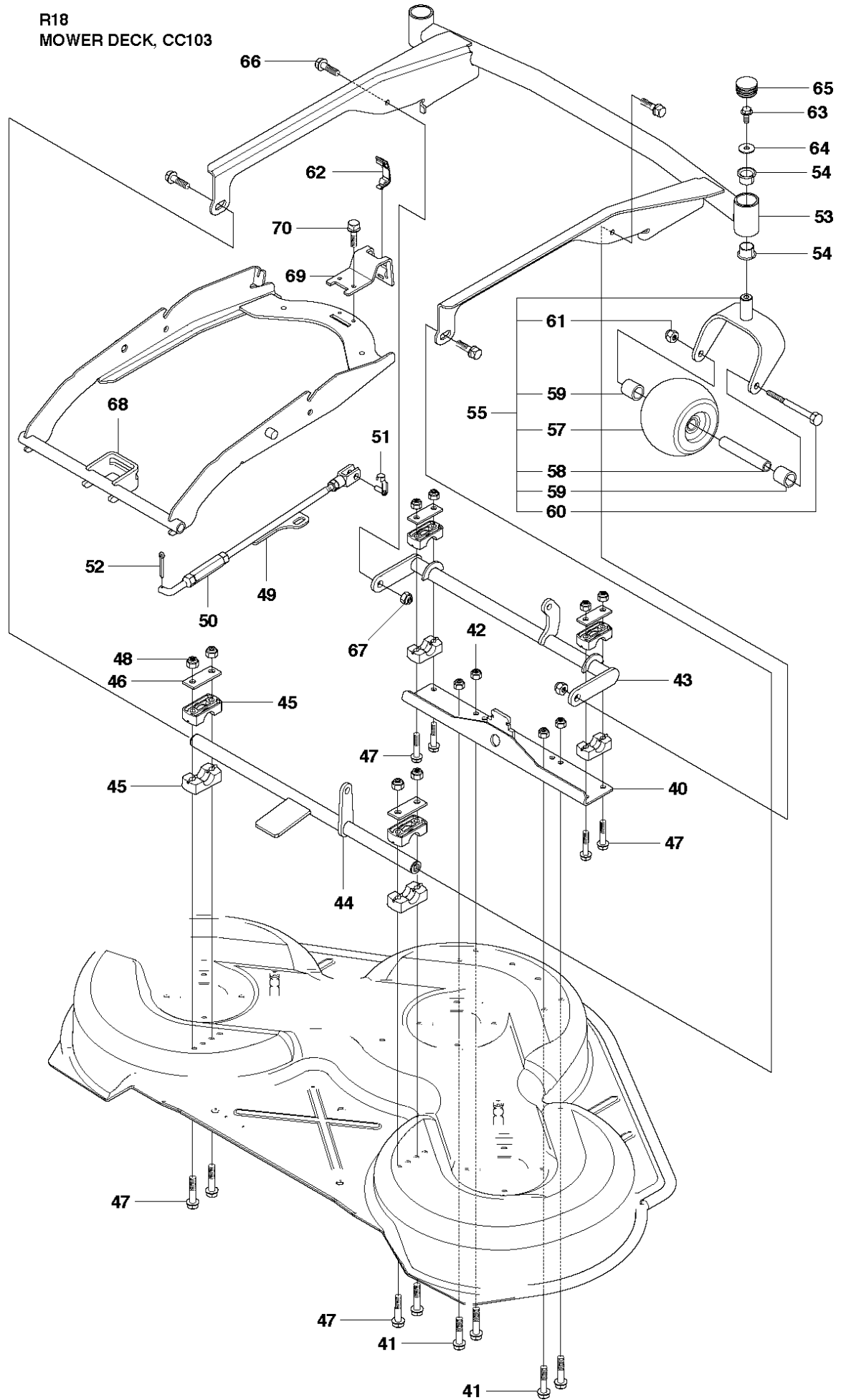
Ref	Part No	Description	Remark	QTY	KIT
1	574 21 08-01	CUTTING DECK		1	
2	506 91 62-01	BLIND RIVET NUT		1	
3	544 44 92-01	PLUG		1	
4	506 57 01-04	SCREW EHHFM		1	
5	544 06 59-02	BLADE HOUSING ASSY		1	
6	544 06 78-01	BEARING HOUSING		1	5
7	544 06 79-01	SHAFT		1	5
8	544 06 80-01	SPACING SLEEVE		1	5
9	738 23 04-34	BALL BEARING		2	5
10	544 06 59-01	BLADE HOUSING ASSY		2	
11	544 06 78-01	BEARING HOUSING		1	10
12	535 42 87-02	SHAFT		1	10
13	535 42 88-01	SPACER		1	10
14	738 23 04-34	BALL BEARING		2	10
15	535 42 38-01	SCREW RSQM		12	
16	734 11 64-01	WASHER		12	
17	732 21 18-01	LOCK NUT		12	
18	506 92 21-01	PULLEY		3	
19	506 53 35-01	PARALLEL KEY		7	
20	544 06 80-02	SPACING SLEEVE		1	
21	734 11 74-41	WASHER		3	
22	544 11 41-01	SCREW EHHM		3	
23	535 50 42-02	BLADE BRACKET		3	
24	504 18 82-01	RIDE ON BLADE		3	
25	506 79 23-01	KNIFE PLATE		3	
26	544 11 41-01	SCREW EHHM		3	
27	506 54 07-01	BELT TENSIONER ASSY		1	
28	506 51 95-01	SPÄNNARM KPL.		1	27
29	506 53 27-01	PULLEY		1	27
30	734 11 64-41	WASHER		1	27
31	506 55 83-02	SCREW EHHFT		1	27
32	506 91 87-02	WASHER		1	
33	725 24 51-71	SCREW EHHM		1	
34	732 21 18-01	LOCK NUT		1	
35	506 53 31-01	SPRING		1	
36	506 76 85-01	DRIVE BELT		1	
37	544 09 61-01	BELT COVER		1	
38	544 40 05-01	SCREW		2	
39	506 77 86-01	PULLEY		1	
72	506 78 97-01	LABEL		1	
73	574 21 03-02	DECAL		1	
74	506 92 90-01	LABEL		1	
76	574 51 00-01	DECAL		1	



## MOWER DECK / CUTTING DECK

RIDER 18, 966414001, 2010-03

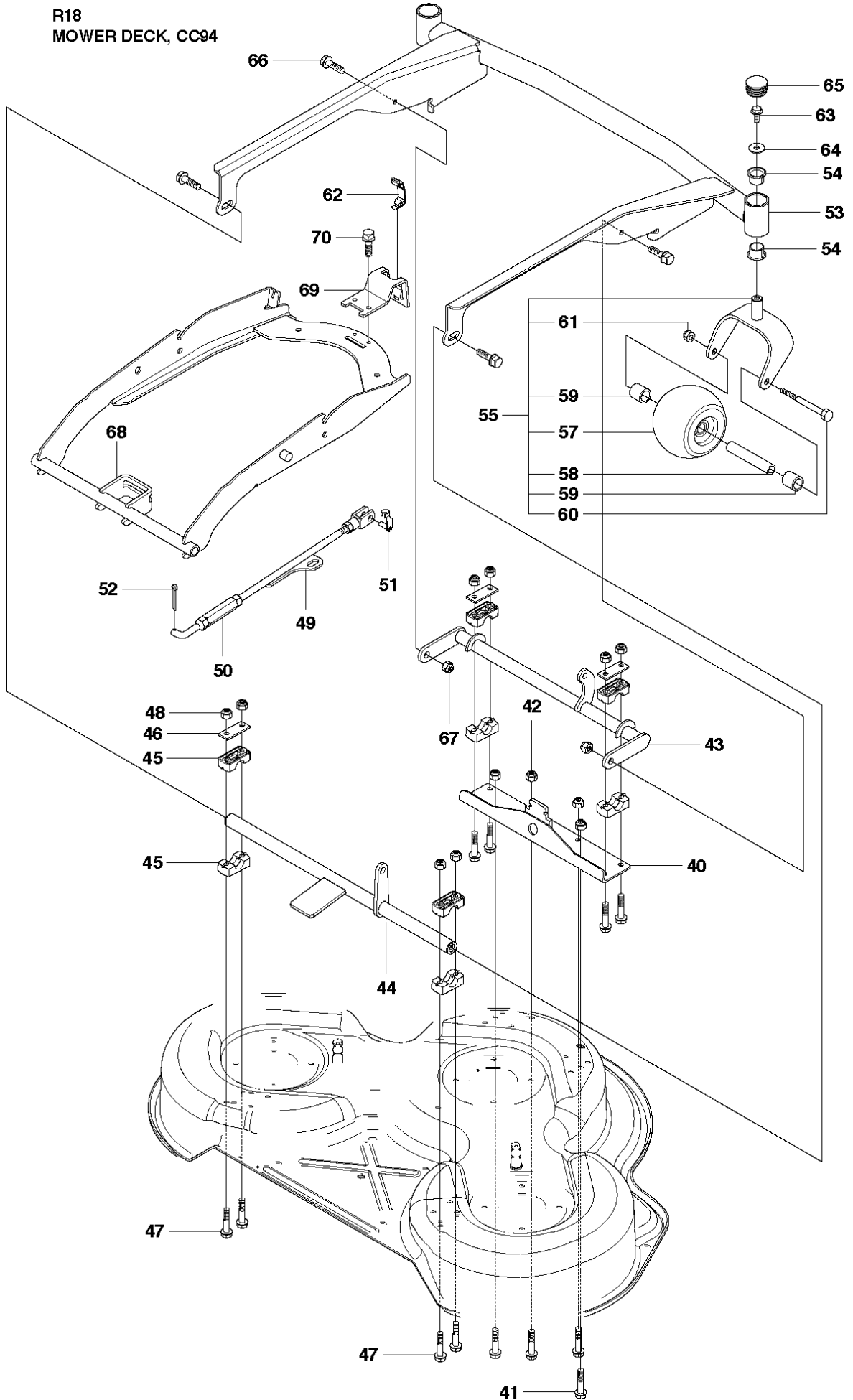
Ref	Part No	Description	Remark	QTY	KIT
40	523 09 53-01	BRACKET		1	
41	725 24 51-71	SCREW EHHM		4	
42	732 21 18-01	LOCK NUT		4	
43	502 64 18-02	CROSS BAR		1	
44	523 09 45-03	CROSS BAR		1	
45	506 86 96-01	BEARING		8	
46	506 81 38-01	REINFORCING PLATE		4	
47	725 24 61-51	SCREW EHHM		8	
48	732 21 18-01	LOCK NUT		8	
49	523 11 42-01	PARALLEL ROD ASSY		1	
50	502 64 23-01	PARALLEL ROD		1	
51	506 83 98-01	GAFFELLÄNK		1	
52	721 61 83-01	SPLIT PIN		1	
53	523 08 65-03	DECK FRAME		1	
54	574 56 19-01	BEARING		4	
55	574 21 01-01	PIVOT WHEEL ASSY		2	
57	506 96 30-01	WHEEL ASSY		1	55
58	506 81 08-02	WHEEL AXLE TUBE		1	55
59	506 87 41-02	SPACER		2	55
60	725 25 19-51	SCREW EHHM		1	55
61	732 21 20-51	NUT		1	55
62	503 89 47-03	SNAP		1	
63	506 57 01-04	SCREW EHHFM		2	
64	734 11 64-41	WASHER		2	
65	574 03 48-01	PLUG		2	
66	506 59 74-01	SCREW		4	
67	732 21 18-01	LOCK NUT		2	
68	523 08 75-01	DECK ATTACHMENT		1	
69	523 11 46-01	LOCK		1	
70	725 23 68-61	SCREW EHHFT		2	



## MOWER DECK / CUTTING DECK

RIDER 18, 966414001, 2010-03

Ref	Part No	Description	Remark	QTY	KIT
40	523 09 53-01	BRACKET		1	
41	725 24 51-71	SCREW EHHM		4	
42	732 21 18-01	LOCK NUT		4	
43	502 64 18-05	CROSS BAR		1	
44	523 09 45-03	CROSS BAR		1	
45	506 86 96-01	BEARING		8	
46	506 81 38-01	REINFORCING PLATE		4	
47	725 24 61-51	SCREW EHHM		8	
48	732 21 18-01	LOCK NUT		8	
49	523 11 42-01	PARALLEL ROD ASSY		1	
50	502 64 23-01	PARALLEL ROD		1	
51	506 83 98-01	GAFFELLÄNK		1	
52	721 61 83-01	SPLIT PIN		1	
53	523 08 65-03	DECK FRAME		1	
54	574 56 19-01	BEARING		4	
55	574 21 01-01	PIVOT WHEEL ASSY		2	
57	506 96 30-01	WHEEL ASSY		1	55
58	506 81 08-02	WHEEL AXLE TUBE		1	55
59	506 87 41-02	SPACER		2	55
60	725 25 19-51	SCREW EHHM		1	55
61	732 21 20-51	NUT		1	55
62	503 89 47-03	SNAP		1	
63	506 57 01-04	SCREW EHHFM		2	
64	734 11 64-41	WASHER		2	
65	574 03 48-01	PLUG		2	
66	506 59 74-01	SCREW		4	
67	732 21 18-01	LOCK NUT		2	
68	523 08 75-01	DECK ATTACHMENT		1	
69	523 11 46-01	LOCK		1	
70	725 23 68-61	SCREW EHHFT		2	

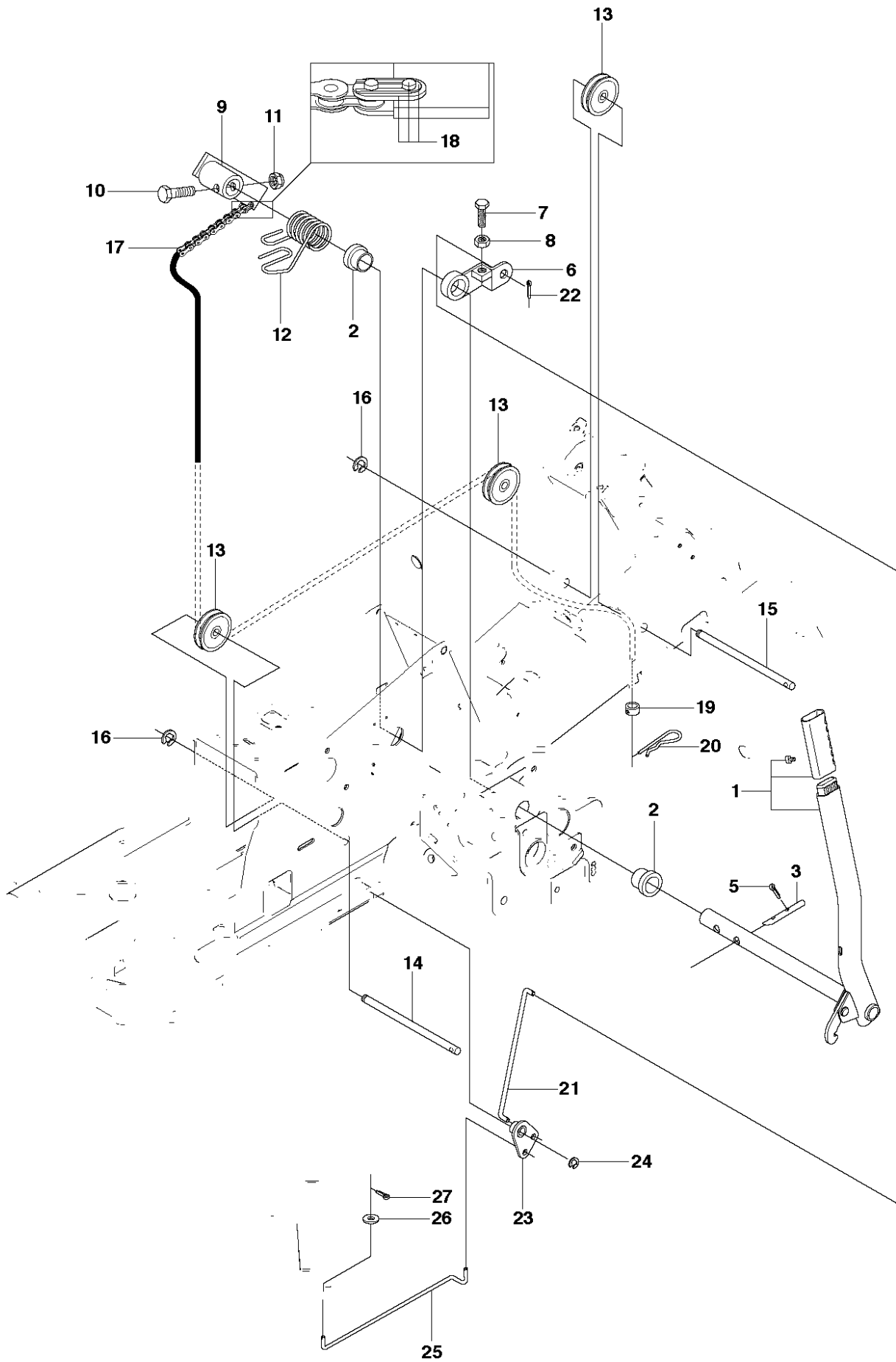


## MOWER DECK / CUTTING DECK

RIDER 18, 966414001, 2010-03

Ref	Part No	Description	Remark	QTY	KIT
40	523 09 53-01	BRACKET		1	
41	725 24 51-71	SCREW EHHM		4	
42	732 21 18-01	LOCK NUT		4	
43	502 64 18-02	CROSS BAR		1	
44	523 09 45-01	CROSS BAR		1	
45	506 86 96-01	BEARING		8	
46	506 81 38-01	REINFORCING PLATE		4	
47	725 24 61-51	SCREW EHHM		8	
48	732 21 18-01	LOCK NUT		8	
49	523 11 42-01	PARALLEL ROD ASSY		1	
50	502 64 23-01	PARALLEL ROD		1	
51	506 83 98-01	GAFFELLÄNK		1	
52	721 61 83-01	SPLIT PIN		1	
53	523 08 65-01	DECK FRAME		1	
54	574 56 19-01	BEARING		4	
55	574 21 01-01	PIVOT WHEEL ASSY		2	
57	506 96 30-01	WHEEL ASSY		1	55
58	506 81 08-02	WHEEL AXLE TUBE		1	55
59	506 87 41-02	SPACER		2	55
60	725 25 19-51	SCREW EHHM		1	55
61	732 21 20-51	NUT		1	55
62	503 89 47-03	SNAP		2	
63	506 57 01-04	SCREW EHHFM		2	
64	734 11 64-41	WASHER		2	
65	574 03 48-01	PLUG		2	
66	506 59 74-01	SCREW		4	
67	732 21 18-01	LOCK NUT		2	
68	523 08 75-01	DECK ATTACHMENT		1	
69	523 11 46-01	LOCK		1	
70	725 23 68-61	SCREW EHHFT		2	

R18  
MOWER LIFT



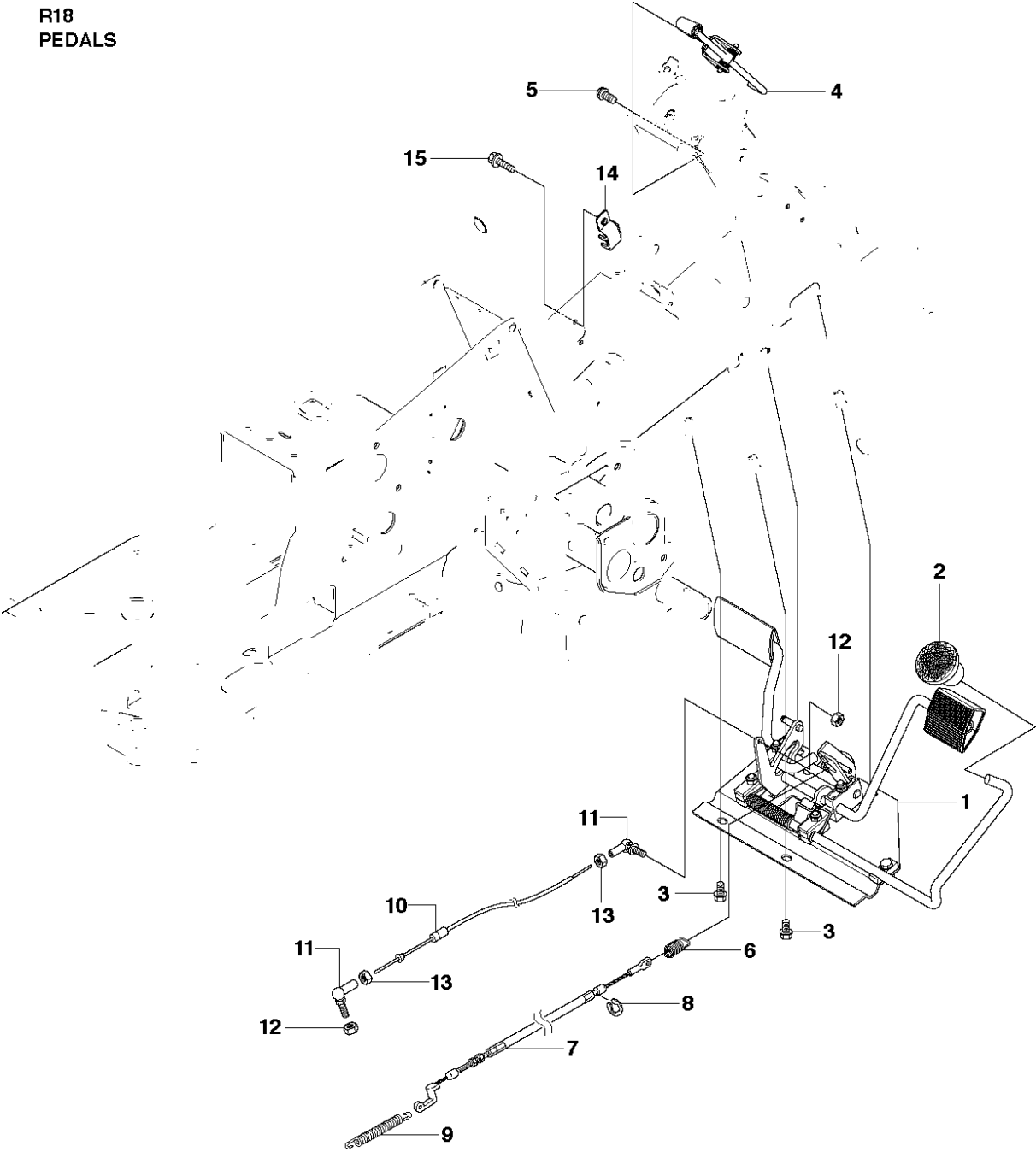


## MOWER LIFT / DECK LIFT

RIDER 18, 966414001, 2010-03

Ref	Part No	Description	Remark	QTY KIT
1	501 01 86-01	LIFTING LEVER ASSY		1
2	506 55 65-01	BEARING		2
3	525 40 66-01	PEN		1
5	721 61 83-01	SPLIT PIN		1
6	506 78 43-01	LINK ASSY		1
7	725 24 97-51	SCREW		1
8	731 23 20-51	HEXAGON NUT		1
9	544 43 36-01	LIFTING ARM		1
10	725 25 42-51	SCREW EHHM		1
11	732 25 22-01	HEXAGON LOCKING NUT		1
12	506 91 68-01	SPRING		1
13	506 90 56-01	OFFSET PULLEY		2
14	506 90 57-01	SHAFT		1
15	506 90 57-02	SHAFT		1
16	735 31 18-20	E-CLIP		2
17	506 55 46-07	CHAIN		1
18	506 55 47-01	LINKAGE		1
19	544 93 42-01	CHAIN STOP		1
20	506 96 66-01	HAIR PIN COTTER		1
21	544 45 69-01	CONNECTION ROD		1
22	721 61 83-01	SPLIT PIN		1
23	544 37 86-01	LINK		1
24	735 31 14-20	E-CLIP		1
25	544 44 88-01	CONNECTION ROD		1
26	734 11 64-41	WASHER		1
27	721 61 83-01	SPLIT PIN		1

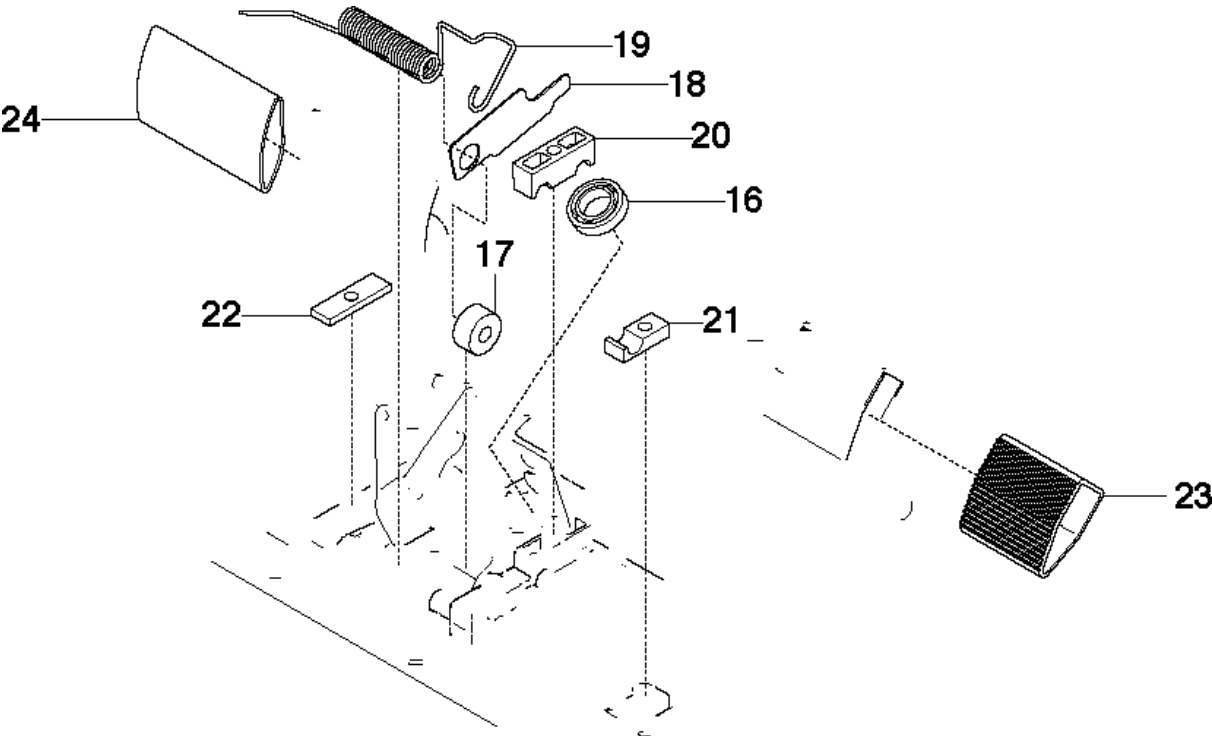
R18  
PEDALS



## PEDALS

RIDER 18, 966414001, 2010-03

Ref	Part No	Description	Remark	QTY KIT
1	544 12 60-01	PEDAL PLATE ASSY		1
2	535 47 37-01	KNOB		1
3	506 57 01-04	SCREW EHHFM		4
4	544 40 31-01	BRAKE LEVER ASSY		1
5	725 23 64-61	SCREW EHHFT		2
6	506 94 63-01	BRAKE SPRING		1
7	506 99 27-01	BROMSWIRE KPL.		1
8	735 31 09-20	HARNESS		1
9	506 53 56-03	DRAW SPRING		1
10	574 41 11-01	CONTROL CABLE		1
11	506 55 73-01	VINKELL.AS8 DIN71802		2
12	732 21 14-01	LOCK NUT		2
13	731 23 14-01	HEXAGON NUT		2
14	522 43 08-01	BRACKET		1
15	725 23 64-61	SCREW EHHFT		1

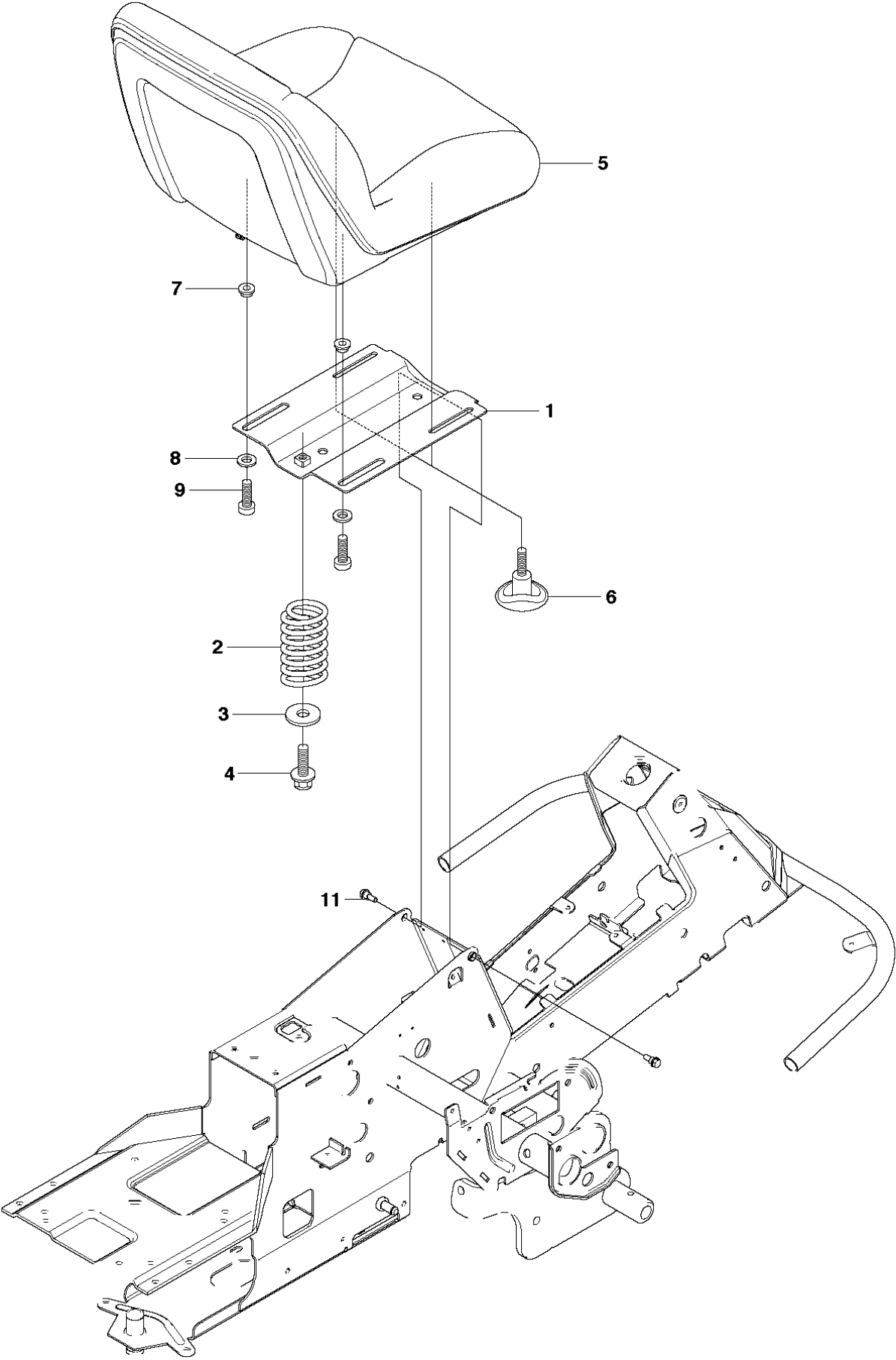


## PEDALS

RIDER 18, 966414001, 2010-03

Ref	Part No	Description	Remark	QTY	KIT
16	738 21 02-04	BALL BEARING		1	1
17	535 48 02-01	ROLLER		1	1
18	535 48 06-01	PROTECTIVE PLATE		1	1
19	535 48 07-01	SPRING		1	1
20	535 48 08-01	BEARING SUPPORT		4	1
21	535 48 09-01	BEARING SUPPORT		1	1
22	535 48 10-01	REINFORCEMENT PLATE		1	1
23	535 47 88-01	PEDAL RUBBER		1	1
24	535 47 88-02	PEDAL RUBBER		1	1

R18  
SEAT

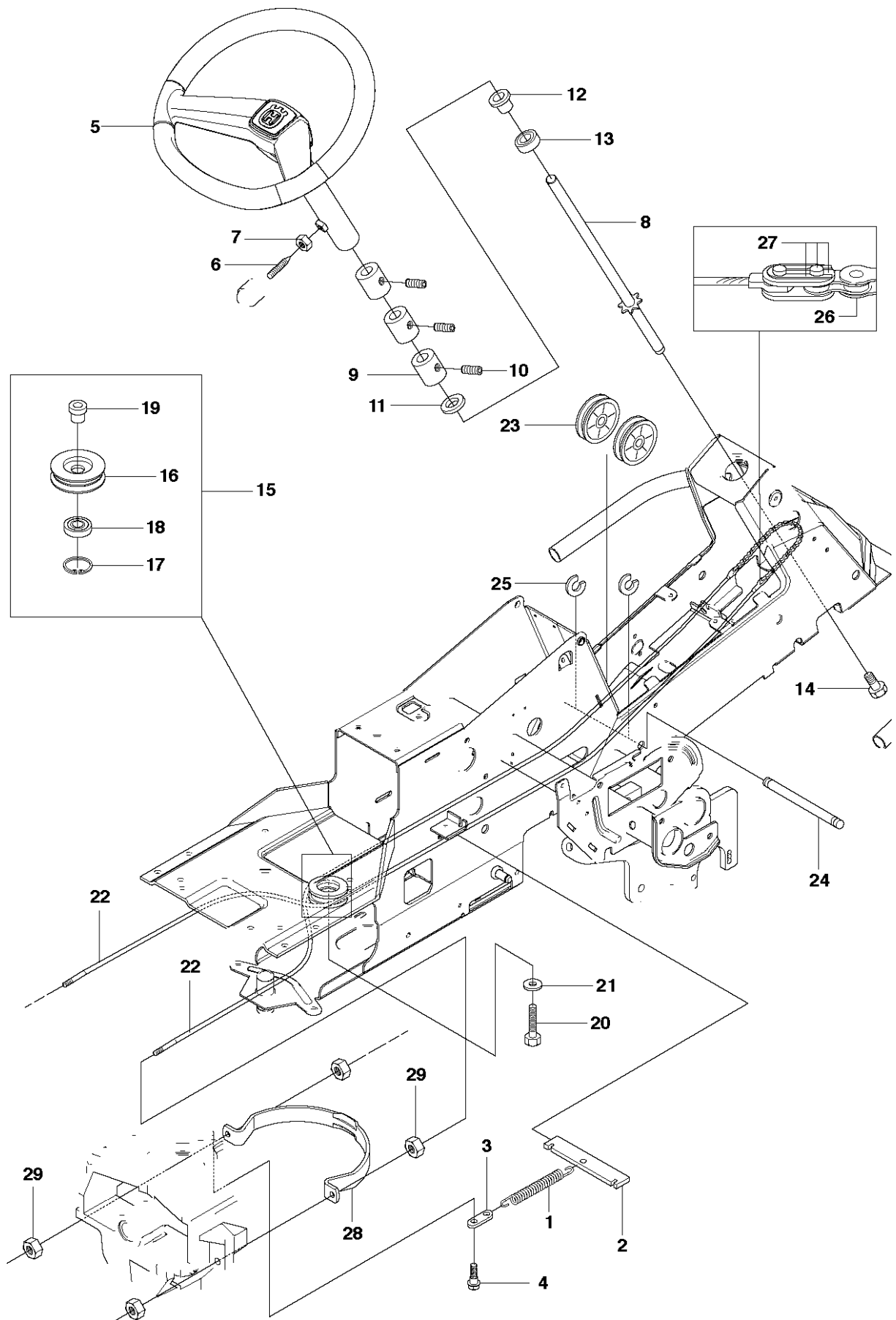


## SEAT

RIDER 18, 966414001, 2010-03

Ref	Part No	Description	Remark	QTY KIT
1	573 99 50-03	SEAT BRACKET		1
2	506 91 53-01	COMPRESSION SPRING		1
3	734 11 74-41	WASHER		1
4	725 24 93-71	SCREW EHHM		1
5	544 43 33-01	SEAT		1
6	506 56 55-01	JUSTERVRED		2
7	506 56 53-01	BUSHING		2
8	734 11 64-41	WASHER		2
9	506 55 63-01	SCREW UNC		2
11	506 59 74-01	SCREW		1

R18  
STEERING



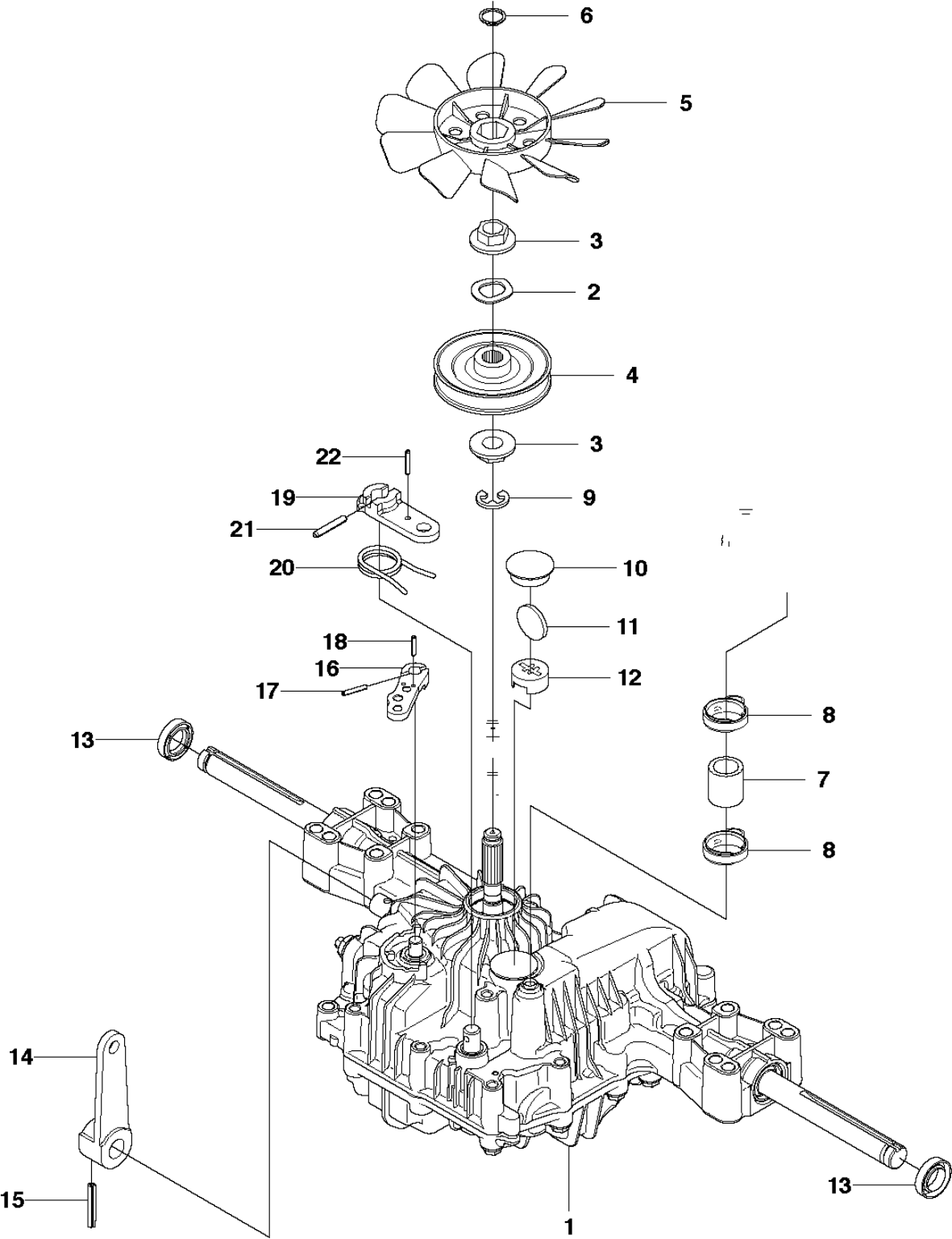


## STEERING

RIDER 18, 966414001, 2010-03

Ref	Part No	Description	Remark	QTY	KIT
1	506 67 19-01	SPRING		1	
2	506 57 63-01	SPRING RETAINER		1	
3	506 67 08-01	LINK		1	
4	506 59 74-01	SCREW		1	
5	544 37 52-02	STEERING WHEEL		1	
6	728 74 55-05	SCREW IHSETM		1	
7	731 23 18-01	HEXAGON NUT		1	
8	575 63 19-01	STEERING ROD		1	
9	506 86 34-01	DRIVER		3	
10	728 84 43-05	SCREW IHSETM		3	
11	506 86 36-01	WASHER		1	
12	506 88 78-01	SPACER		1	
13	738 21 04-04	BALL BEARING		1	
14	506 57 01-04	SCREW EHHFM		1	
15	506 50 09-03	BARRING WHEEL		1	
16	535 42 41-01	BARRING WHEEL		1	15
17	735 31 40-10	CIRCLIP		1	15
18	738 22 04-19	BALL BEARING		1	15
19	506 50 08-02	BUSHING		1	15
20	506 67 54-02	SCREW EHHFM		1	
21	734 11 74-41	WASHER		1	
22	506 58 91-04	WIRE ASSY		2	
23	506 52 24-01	STARTER PULLEY		2	
24	506 53 94-02	SHAFT		1	
25	735 31 14-20	E-CLIP		2	
26	506 55 46-01	CHAIN		1	
27	506 55 47-01	LINKAGE		2	
28	544 42 73-01	WIRE GUIDE		1	
29	731 23 20-51	HEXAGON NUT		4	

R18  
HYDROSTAT

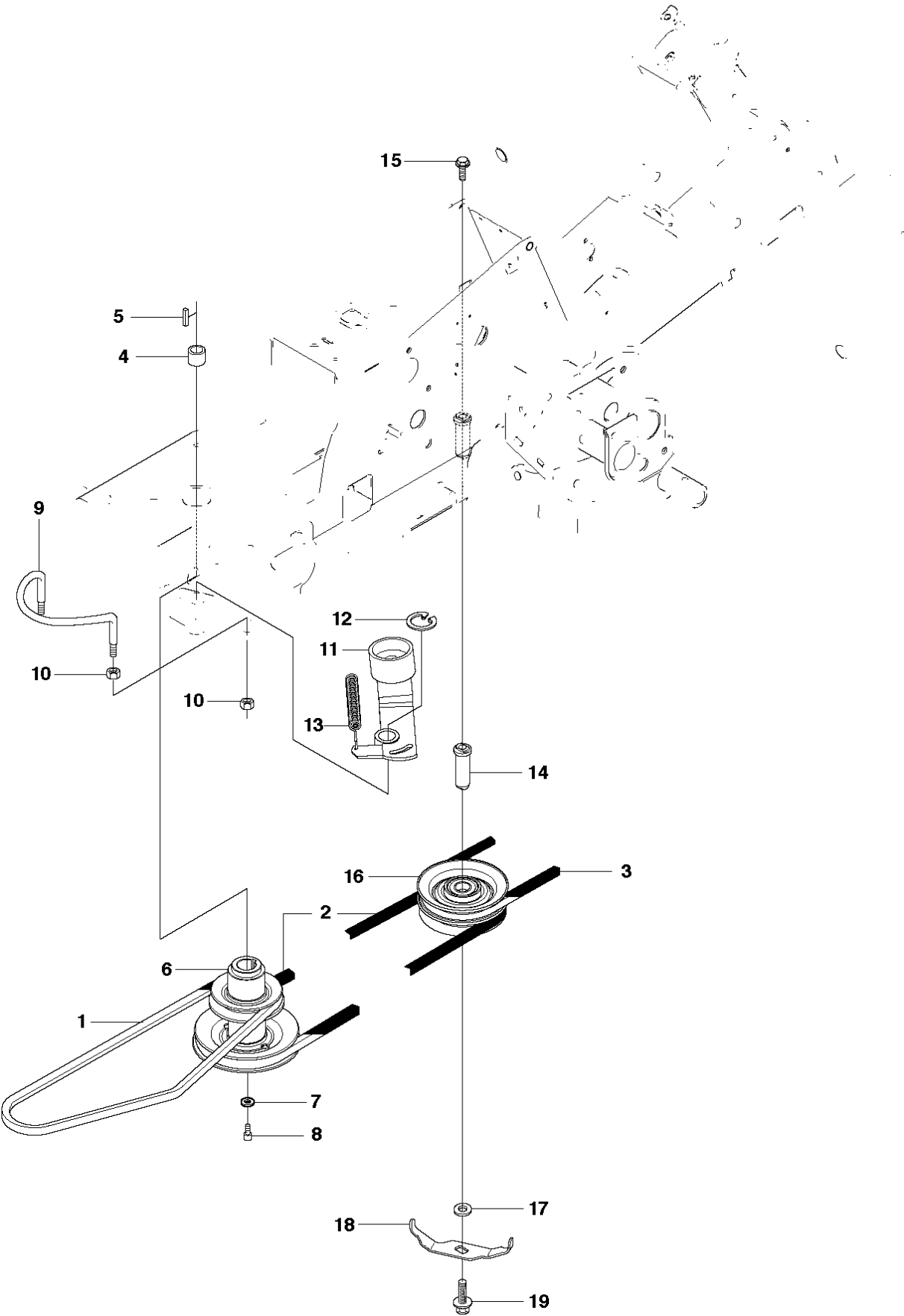


## TRANSMISSION

RIDER 18, 966414001, 2010-03

Ref	Part No	Description	Remark	QTY KIT	
1	506 98 63-01	TRANSMISSION		1	
2	506 98 65-01	SPRING WASHER		1	
3	506 98 66-01	DISTANCE		2	
4	502 45 19-01	PULLEY		1	
5	506 98 68-01	FAN		1	
6	735 31 15-00	CIRCLIP		1	
7	502 45 16-01	TUBE		1	
8	506 98 70-01	HOSE CLAMP		2	
9	535 40 28-07	CLIP		1	1
10	535 40 28-32	PLUG		1	1
11	535 40 28-29	MAGNET		1	1
12	502 45 20-01	MAGNET HOLDER		1	1
13	535 40 28-37	SEALING		2	1
14	502 45 32-01	CONTROL LEVER		1	1
15	535 40 28-09	PIN RETAINING SCREW		1	1
16	535 40 28-17	LEVER		1	1
17	535 40 28-16	PIN RETAINING SCREW		1	1
18	535 40 28-33	PIN RETAINING SCREW		1	1
19	535 40 28-38	LEVER		1	1
20	535 40 28-39	RETURN SPRING		1	1
21	535 40 28-40	PIN RETAINING SCREW		1	1
22	535 40 28-41	PIN RETAINING SCREW		1	1

R18  
TRANSMISSION

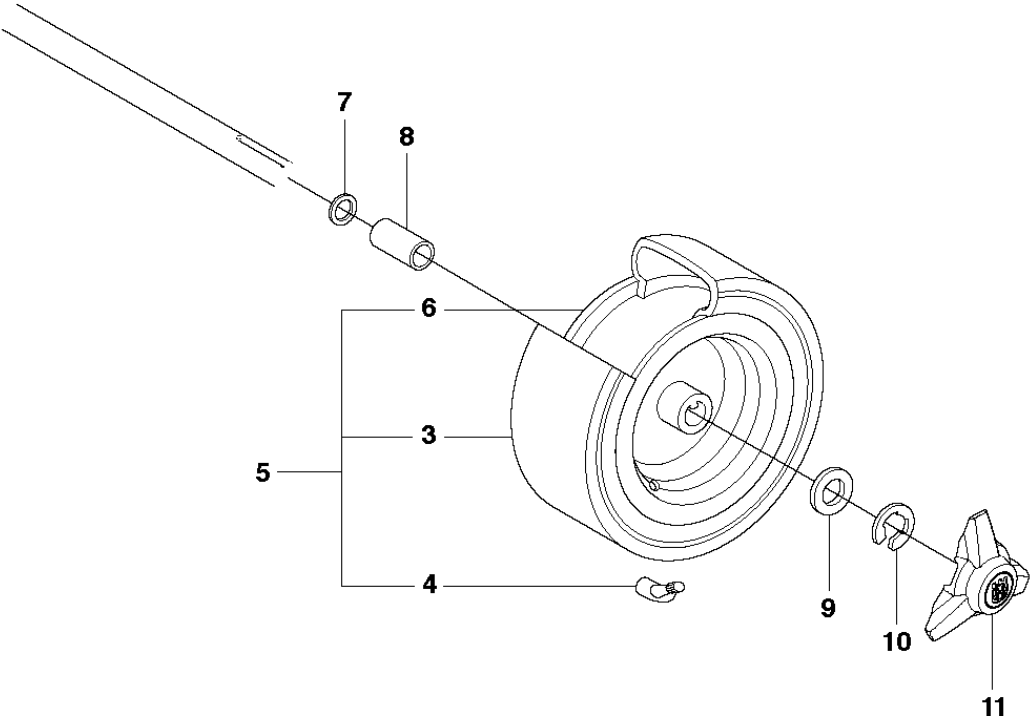
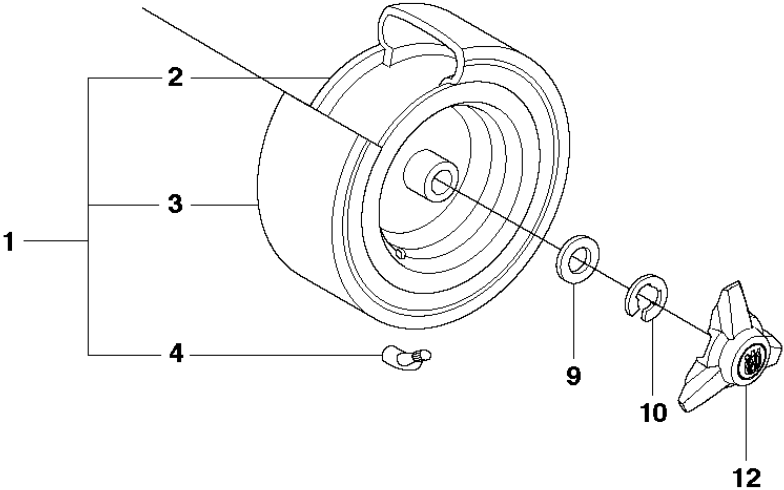
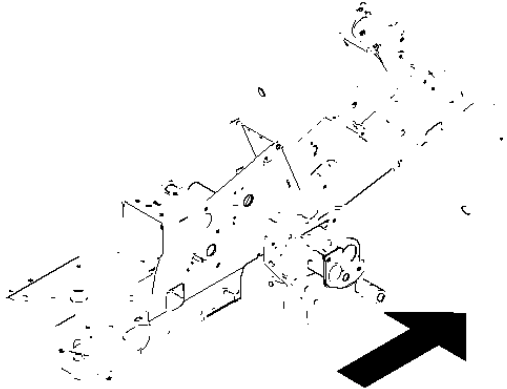


## TRANSMISSION

RIDER 18, 966414001, 2010-03

Ref	Part No	Description	Remark	QTY KIT
1	506 98 83-01	DRIVE BELT		1
2	544 40 02-01	BELT		1
3	535 41 19-01	BELT		1
4	506 50 92-01	SPACING SLEEVE		1
5	506 55 59-01	WEDGE		1
6	535 48 24-01	PULLEY		1
7	506 59 75-01	WASHER		1
8	506 55 60-02	SCREW UNC		1
9	506 66 45-01	BELT GUIDE		1
10	731 23 20-51	HEXAGON NUT		4
11	535 48 44-01	BELT TENSIONER ASSY		1
12	735 31 26-00	CIRCLIP		1
13	506 66 56-01	SPRING		1
14	544 42 61-01	SHAFT		1
15	506 67 54-02	SCREW EHHFM		1
16	535 48 22-01	MELLANHJUL		1
17	506 77 57-01	WASHER		1
18	544 40 53-01	BELT GUIDE		1
19	506 57 01-05	SCREW EHHFM		1

R18  
WHEELS & TIRES



## WHEELS &amp; TIRES

RIDER 18, 966414001, 2010-03

Ref	Part No	Description	Remark	QTY	KIT
1	523 01 22-02	WHEEL		2	
2	523 03 45-01	RIM		1	1
3	523 03 46-02	TYRE		1	1, 5
4	523 03 47-01	VALVE		1	1, 5
5	523 01 26-02	WHEEL		2	
6	523 03 48-01	RIM		1	5
7	506 50 48-05	WASHER		4	
8	506 59 62-03	SPACING SLEEVE		2	
9	506 50 48-03	WASHER		2	
10	506 89 90-01	E-CLIP		4	
11	544 35 35-02	HUB CAP		2	
12	544 35 35-01	HUB CAP		2	