

Briggs&Stratton

33M677-1398-B1

Spare parts

Ersatzteile

Pièces détachées

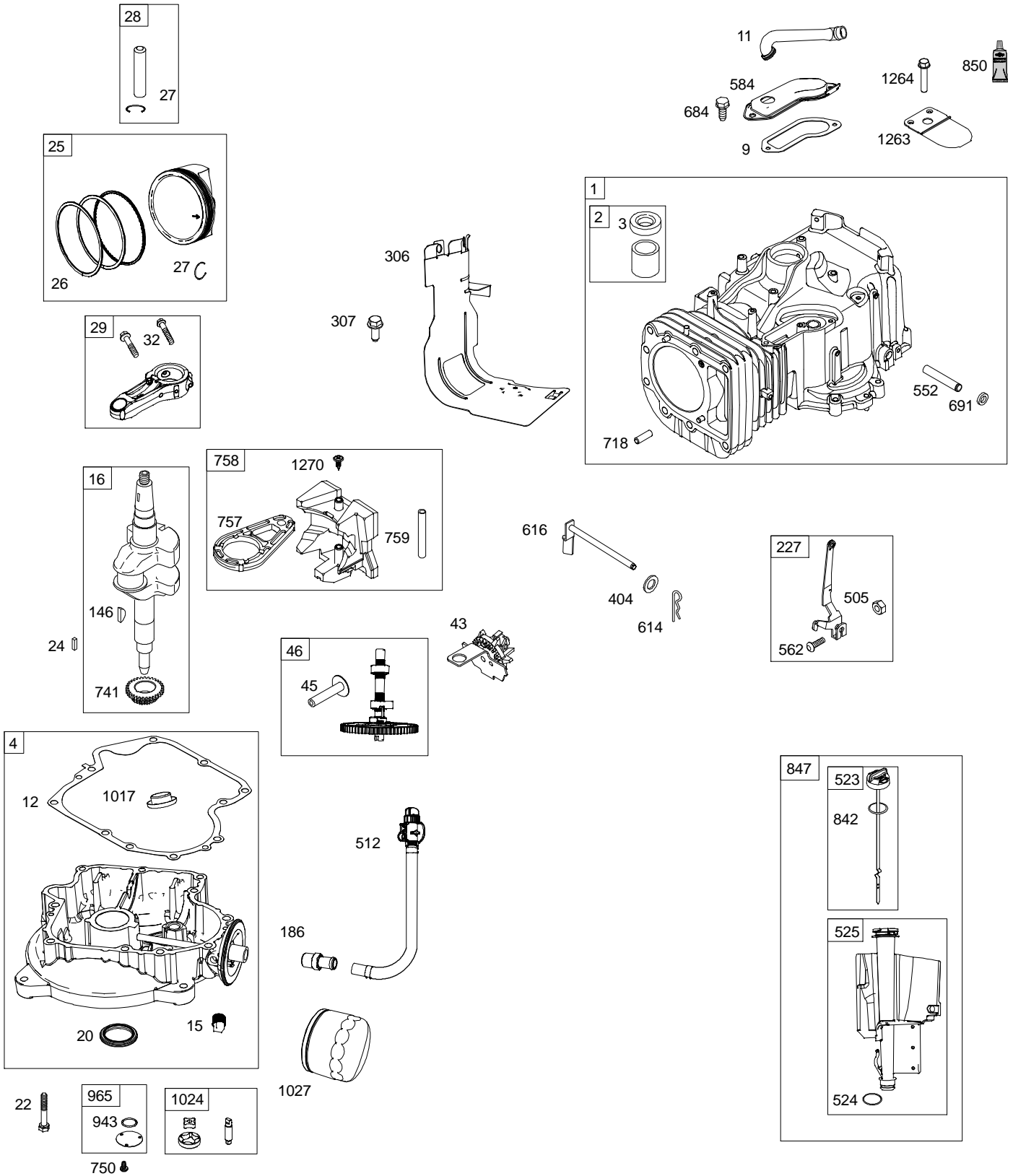
Reserve onderdelen

Repuestos

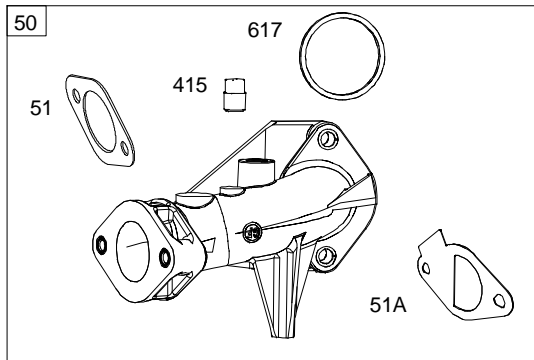
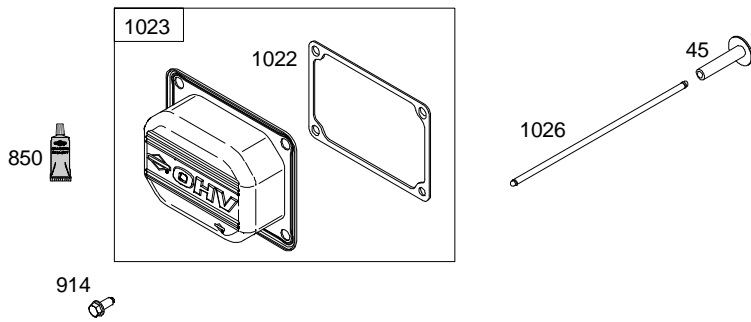
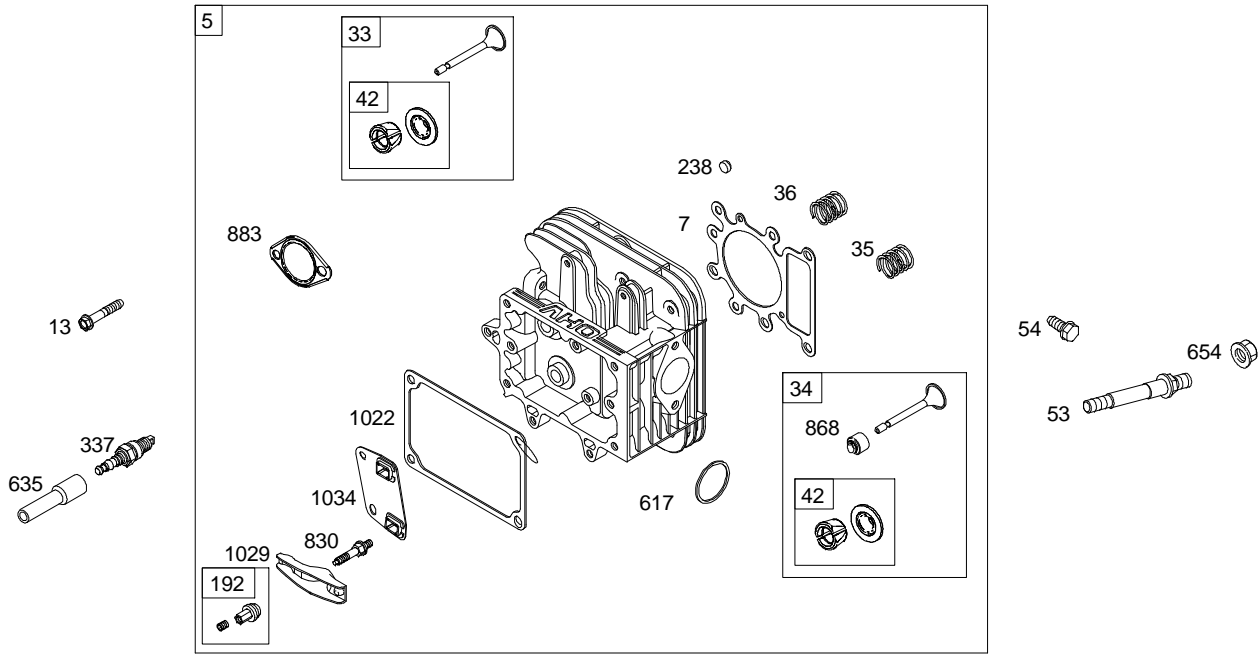
Reservdelar

48 SHORT BLOCK

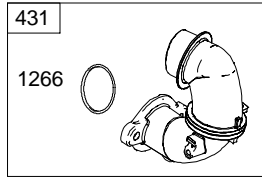
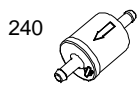
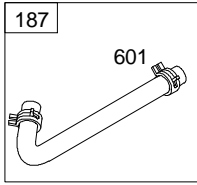
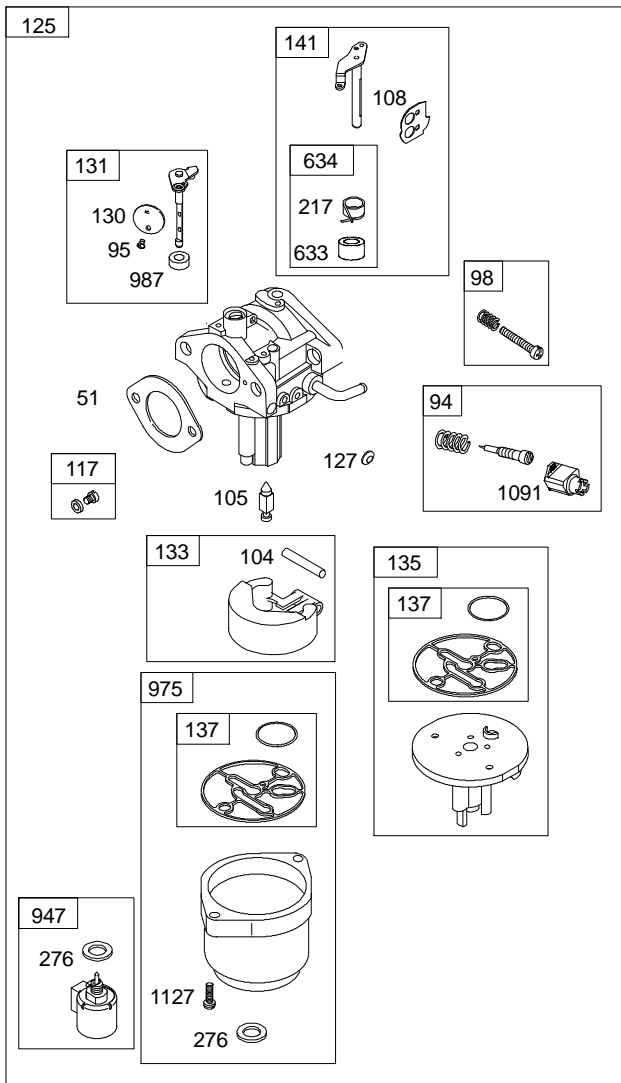
1329 REPLACEMENT ENGINE



Key No.	B&S Part No.	HVA Part No.	Description
1	794128	576 32 67-01	Cylinder Assembly
2	399265	576 29 57-01	Bushing/Seal Kit (Magneto Side)
3	391086s	576 33 77-01	Seal-Oil (Magneto Side)
4	795993	576 32 96-01	Sump-Engine
9	697109	576 31 63-01	Gasket-Breather (Liquid Gasket and the Breather Gasket are Interchangeable)
11	794683	576 32 77-01	Tube-Breather
12	697110	576 31 64-01	Gasket-Crankcase
15	690946	576 29 87-01	Plug-Oil Drain
16	797585	576 33 57-01	Crankshaft
20	795387	576 32 87-01	Seal-Oil (PTO Side)
22	692125	576 30 76-01	Screw (Crankcase Cover/Sump)
24	222698s	576 33 73-01	Key-Flywheel
25	795858	576 32 89-01	Piston Assembly (Standard)
26	794126	576 32 65-01	Ring Set (Standard)
27	698469	576 31 84-01	Lock-Piston Pin
28	795861	576 32 90-01	Pin-Piston
29	794571	576 32 75-01	Rod-Connecting
32	791118	576 32 10-01	Screw (Connecting Rod)
43	691968	576 30 69-01	Slinger-Governor/Oil
45	690564	576 29 80-01	Tappet-Valve
46	793880	576 32 62-01	Camshaft
48	795446	576 32 88-01	Short Block
146	691639	576 30 56-01	Key-Timing
186	796532	575 49 66-01	Connector-Hose (Oil Drain Hose)
227	691374	576 30 52-01	Lever-Governor Control
306	794953	576 32 82-01	Shield-Cylinder
307	691003	576 30 16-01	Screw (Cylinder Shield)
404	691691	576 30 58-01	Washer (Governor Crank)
505	691251	576 30 43-01	Nut (Governor Control Lever)
512	796530	575 49 29-01	Hose-Oil Drain
523	699908	576 32 01-01	Dipstick
524	691032	576 30 24-01	Seal-Dipstick Tube
525	697184	576 31 69-01	Tube-Dipstick
552	697144	576 31 67-01	Bushing-Governor Crank
584	794682	575 33 52-01	Cover-Breather Passage
614	691620	576 30 55-01	Pin-Cotter (Governor Crank)
616	692012	576 30 73-01	Crank-Governor
684	697157	576 31 68-01	Screw (Breather Passage Cover)
691	692407	576 30 81-01	Seal-Governor Shaft
718	690959	576 29 94-01	Pin-Locating
741	697128	576 31 66-01	Gear-Timing
750	790832	576 32 09-01	Screw (Oil Pump Cover)
757	793242	576 32 42-01	Link-Counterweight
758	793763	576 32 61-01	Counterweight
759	697392	576 31 71-01	Pin-Counterweight
842	691031	576 30 23-01	Seal-O Ring (Dipstick Tube)
847	790442	576 32 03-01	Dipstick/Tube Assembly
850	100106	576 29 55-01	Sealant-Liquid
943	690589	576 29 81-01	Seal-O Ring (Oil Pump Cover)
965	499613	576 29 64-01	Cover-Oil Pump
1017	796981	576 33 43-01	Screen-Oil Pump
1024	794644	576 32 76-01	Pump-Oil
1027	798576	576 33 60-01	Filter-Oil
1263	697124	576 31 65-01	Reed-Breather
1264	697104	576 31 62-01	Screw (Breather Reed)
1270	793243	576 32 43-01	Plug-AVS Counterweight
1329	33M777-0036-G1	576 33 76-01	Replacement Engine
--	795877	576 32 91-01	Piston Assembly (020" Oversize)
--	794127	576 32 66-01	Ring Set (.020" Oversize)
--	692011	576 30 72-01	Rod-Push (Exhaust)

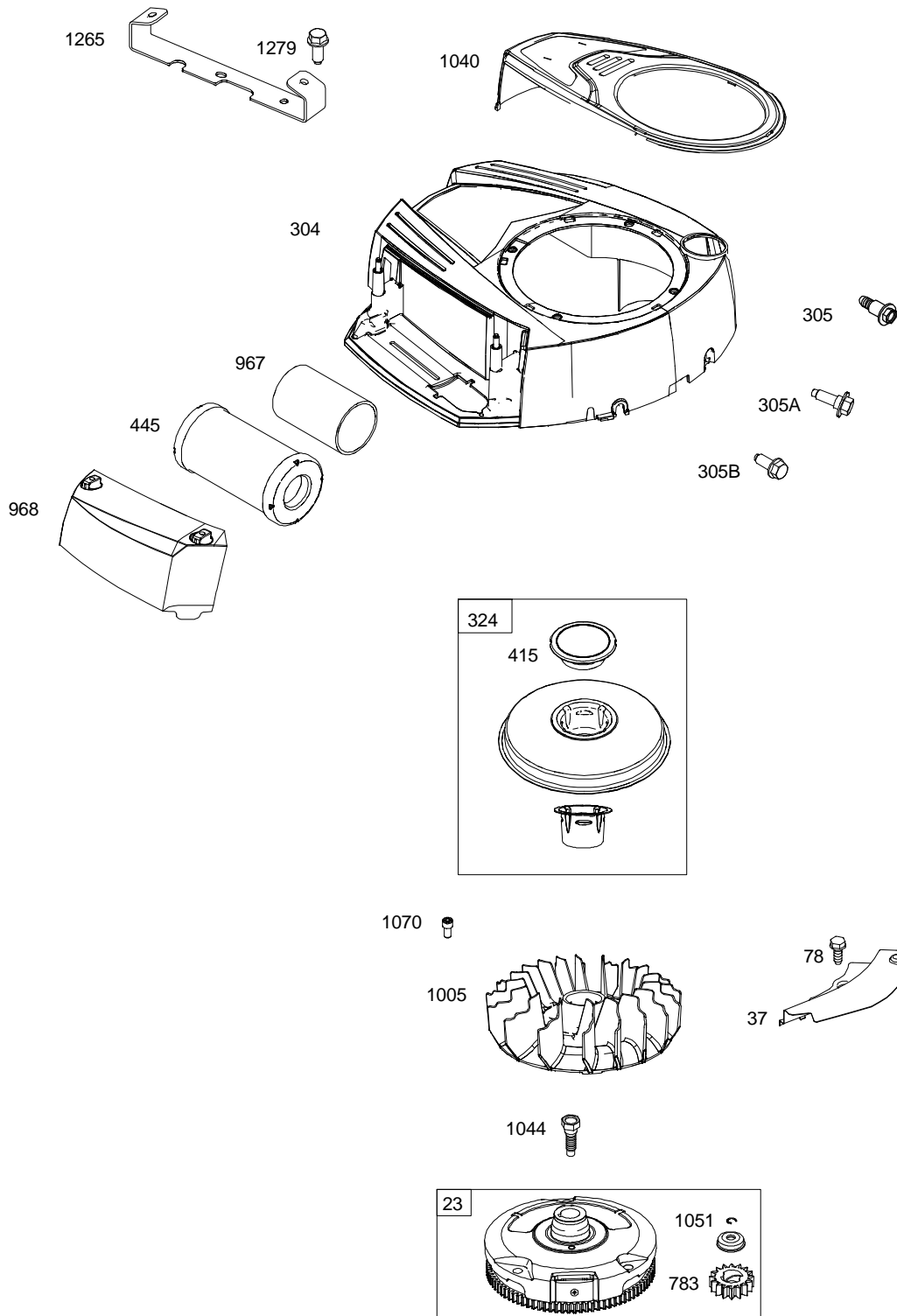


Key No.	B&S Part No.	HVA Part No.	Description
5	796026	576 32 99-01	Head-Cylinder
7	794114	576 32 64-01	Gasket-Cylinder Head
13	793988	576 32 63-01	Screw (Cylinder Head)
33	792868	576 32 40-01	Valve-Exhaust
34	791935	576 32 20-01	Valve-Intake
35	691279	576 30 47-01	Spring-Valve (Intake)
36	691279	576 30 47-01	Spring-Valve (Exhaust)
42	499586	505 40 41-01	Keeper-Valve
45	690564	576 29 80-01	Tappet-Valve
50	796180	576 33 06-01	Manifold-Intake
51	692137	576 30 77-01	Gasket-Intake
51A	794312	576 32 72-01	Gasket-Intake
53	690227	576 29 67-01	Stud (Carburetor)
54	691148	576 30 39-01	Screw (Intake Manifold)
192	691986	576 30 70-01	Adjuster-Rocker Arm
238	691843	576 30 66-01	Cap-Valve
337	696202	576 31 11-01	Plug-Spark
415	794129	576 32 68-01	Plug (Cover/Retainer)
617	692138	576 30 78-01	Seal-O Ring (Intake Manifold) (Red)
635	691909	576 30 67-01	Boot-Spark Plug
654	690958	576 29 93-01	Nut (Carburetor)
830	691095	576 30 34-01	Stud-Rocker Arm
850	100106	576 29 55-01	Sealant-Liquid
868	690968	576 29 95-01	Seal-Valve
883	692236	576 30 80-01	Gasket-Exhaust
914	697551	576 31 72-01	Screw (Rocker Cover)
1022	272475s	576 33 74-01	Gasket-Rocker Cover
1023	797421	576 33 52-01	Cover-Rocker
1026	692003	576 30 71-01	Rod-Push (Intake)
1029	691751	576 30 60-01	Arm-Rocker
1034	690822	576 29 85-01	Guide-Push Rod

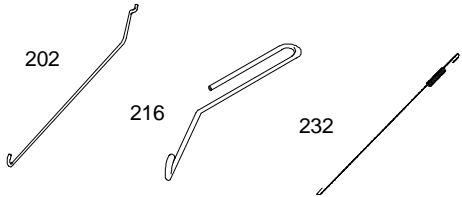
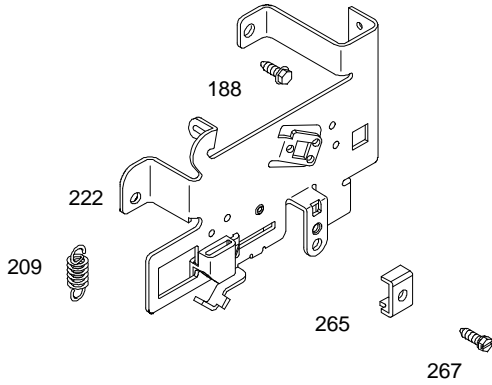
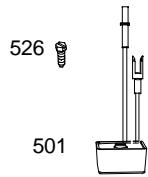
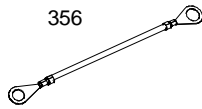
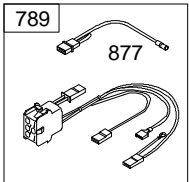
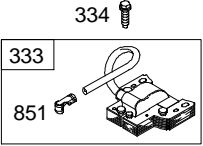
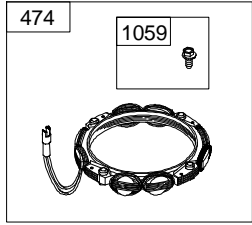
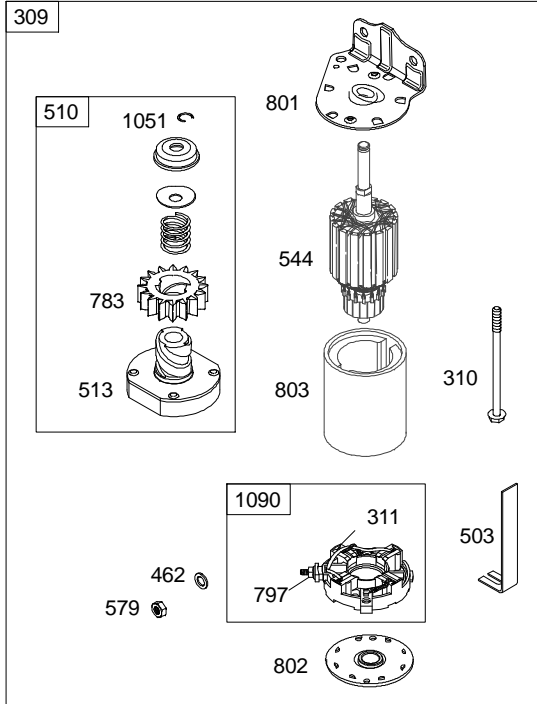


Key No.	B&S Part No.	HVA Part No.	Description
51	692137	576 30 77-01	Gasket-Intake
94	793610	576 32 56-01	Kit-Idle Mixture
95	690718	576 29 83-01	Screw (Throttle Valve)
98	695408	576 31 03-01	Kit-Idle Speed
104	694918	576 30 97-01	Pin-Float Hinge
105	696136	576 31 10-01	Valve-Float Needle
108	695419	576 31 07-01	Valve-Choke
117	796251	576 33 24-01	Jet-Main (Standard)
118	791406	576 32 12-01	Jet-Main (High Altitude)
125	796587	576 33 33-01	Carburetor
127	690727	576 29 84-01	Plug-Welch
130	792747	576 32 37-01	Valve-Throttle
131	792765	576 32 38-01	Kit-Throttle Shaft
133	694914	576 30 96-01	Float-Carburetor
135	698780	576 31 88-01	Tube-Fuel Transfer
137	698781	576 31 89-01	Gasket-Float Bowl
141	792777	576 32 39-01	Kit-Choke Shaft
187	791805	576 32 18-01	Line-Fuel (Formed) (Cut to Required Length)
217	695409	576 31 04-01	Spring-Choke Return
240	691035	576 30 25-01	Filter-Fuel
276	695410	576 31 06-01	Washer-Sealing
431	794145	576 32 69-01	Elbow-Intake
601	791850	575 62 96-01	Hose-Clamp (Green)
633	699813	576 31 98-01	Seal-Choke/Throttle Shaft (Choke Shaft)
634	698779	576 31 87-01	Spring/Seal Assembly (Choke Shaft)
947	699915	576 32 02-01	Solenoid-Fuel
975	699502	576 31 91-01	Bowl-Fuel
987	698777	576 31 86-01	Seal-Throttle Shaft
1091	691333	576 30 51-01	Cap-Limiter
1127	695407	576 31 02-01	Screw (Float Bowl)
1266	691917	576 30 68-01	Seal-O Ring (Intake Elbow) (Red)

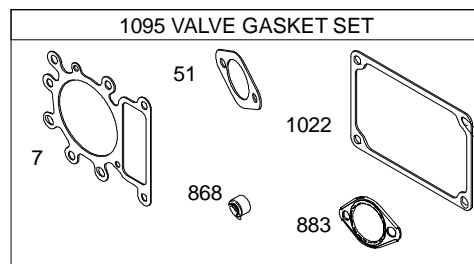
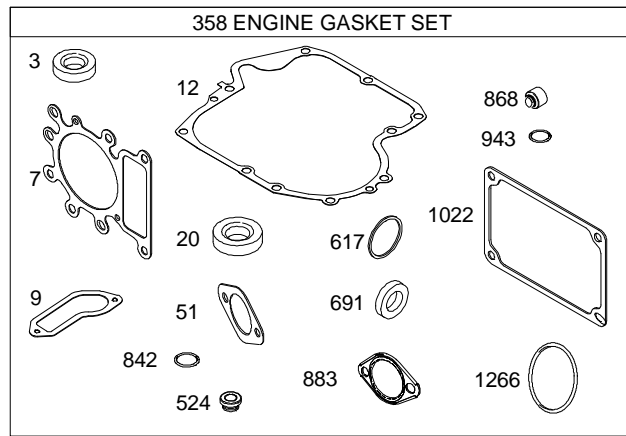
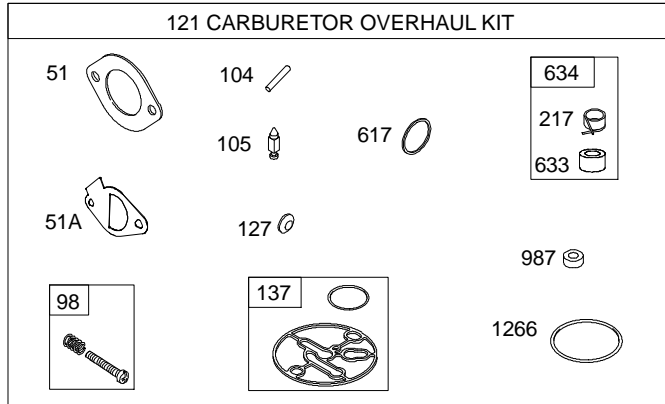
1036 EMISSIONS LABEL



Key No.	B&S Part No.	HVA Part No.	Description
23	698282	576 31 80-01	Flywheel
37	699882	576 32 00-01	Guard-Flywheel
78	691003	576 30 16-01	Screw (Flywheel Guard)
304	798577	576 33 61-01	Housing-Blower
305	697102	576 31 61-01	Screw (Blower Housing) (1/4-20x1.33)
305A	793376	576 32 45-01	Screw (Blower Housing) (1/4-20x.66)
305B	795891	576 32 92-01	Screw (Blower Housing) (Blower Housing to Elbow)
324	796309	576 33 29-01	Screen/Cup Assembly
415	794129	576 32 68-01	Plug (Cover/Retainer)
445	793569	576 32 54-01	Filter-Air Cleaner Cartridge
783	693713	576 30 89-01	Gear-Pinion
967	793685	576 32 60-01	Filter-Pre Cleaner
968	798577	576 33 61-01	Cover-Air Cleaner
1005	796084	576 33 01-01	Fan-Flywheel
1036	--	--	Label-Emissions (Available from a Briggs & Stratton Authorized Dealer)
1040	798568	576 33 59-01	Plate-Trim
1044	698139	576 31 78-01	Screw (Flywheel)
1051	691265	576 30 46-01	Ring-Retaining
1070	690363	576 29 75-01	Screw (Flywheel Fan)
1265	794151	576 32 70-01	Support-Blower Housing
1279	697551	576 31 72-01	Screw (Blower Housing Support)



Key No.	B&S Part No.	HVA Part No.	Description
188	691693	576 30 59-01	Screw (Control Bracket)
202	691841	576 30 64-01	Link-Mechanical Governor
209	692208	576 30 79-01	Spring-Governor (Green)
216	691840	576 30 63-01	Link-Choke
222	694042	576 30 94-01	Bracket-Control
232	691842	576 30 65-01	Spring-Governor Link
265	691024	576 30 21-01	Clamp-Casing
267	794904	576 32 80-01	Screw (Casing Clamp)
309	693551	576 30 87-01	Motor-Starter
310	690323	576 29 73-01	Screw (Starter Motor)
311	497608	576 29 59-01	Brush Set
333	795315	576 32 86-01	Armature-Magneto
334	691061	576 30 33-01	Screw (Magneto Armature)
356	697089	576 31 60-01	Wire-Stop
462	691261	576 30 44-01	Washer (Starter Cable)
474	696457	576 31 12-01	Alternator
501	794360	576 32 73-01	Regulator
503	691532	576 30 54-01	Strap-Starter
510	693699	576 30 88-01	Drive-Starter
513	692024	576 30 74-01	Clutch-Drive
526	697088	576 31 59-01	Screw (Regulator)
544	--	--	Armature-Starter (For Replacement, Order Starter Motor, Reference 309)
579	691029	576 30 22-01	Nut (Starter Cable)
697	690372	576 29 76-01	Screw (Drive Cap)
729	691224	576 30 42-01	Clip-Wire
783	693713	576 30 89-01	Gear-Pinion
789	698329	576 31 82-01	Harness-Wiring
797	693167	576 30 86-01	Nut (Brush Retainer)
801	691283	576 30 48-01	Cap-Drive
802	691286	576 30 49-01	Cap-End
803	--	--	Housing-Starter (For Replacement, Order Starter Motor, Reference 309)
851	692424	576 30 82-01	Terminal-Spark Plug
877	790544	576 32 05-01	Wire/Connector-Alternator
1051	691265	576 30 46-01	Ring-Retaining
1059	698516	576 31 85-01	Kit-Screw/Washer
1090	691293	576 30 50-01	Retainer-Brush
1119	691183	576 30 40-01	Screw (Alternator)



Key No.	B&S Part No.	HVA Part No.	Description
3	391086s	576 33 77-01	Seal-Oil (Magneto Side)
7	794114	576 32 64-01	Gasket-Cylinder Head
9	697109	576 31 63-01	Gasket-Breather (Liquid Gasket and the Breather Gasket are Interchangeable)
12	697110	576 31 64-01	Gasket-Crankcase
20	795387	576 32 87-01	Seal-Oil (PTO Side)
51	692137	576 30 77-01	Gasket-Intake
51A	794312	576 32 72-01	Gasket-Intake
98	695408	576 31 03-01	Kit-Idle Speed
104	694918	576 30 97-01	Pin-Float Hinge
105	696136	576 31 10-01	Valve-Float Needle
121	796184	576 33 07-01	Kit-Carburetor Overhaul
127	690727	576 29 84-01	Plug-Welch
137	698781	576 31 89-01	Gasket-Float Bowl
217	695409	576 31 04-01	Spring-Choke Return
358	796187	574 25 73-01	Gasket Set-Engine
524	691032	576 30 24-01	Seal-Dipstick Tube
617	692138	576 30 78-01	Seal-O Ring (Intake Manifold) (Red)
633	699813	576 31 98-01	Seal-Choke/Throttle Shaft (Choke Shaft)
634	698779	576 31 87-01	Spring/Seal Assembly (Choke Shaft)
691	692407	576 30 81-01	Seal-Governor Shaft
842	691031	576 30 23-01	Seal-O Ring (Dipstick Tube)
868	690968	576 29 95-01	Seal-Valve
883	692236	576 30 80-01	Gasket-Exhaust
943	690589	576 29 82-01	Seal-O Ring (Oil Pump Cover)
987	698777	576 31 86-01	Seal-Throttle Shaft
1022	272475s	576 33 74-01	Gasket-Rocker Cover
1095	794152	576 32 71-01	Gasket Set-Valve
1266	691917	576 30 68-01	Seal-O Ring (Intake Elbow) (Red)