

# **Briggs&Stratton**

# **33M777-1400-B1**

**Spare parts**

**Ersatzteile**

**Pièces détachées**

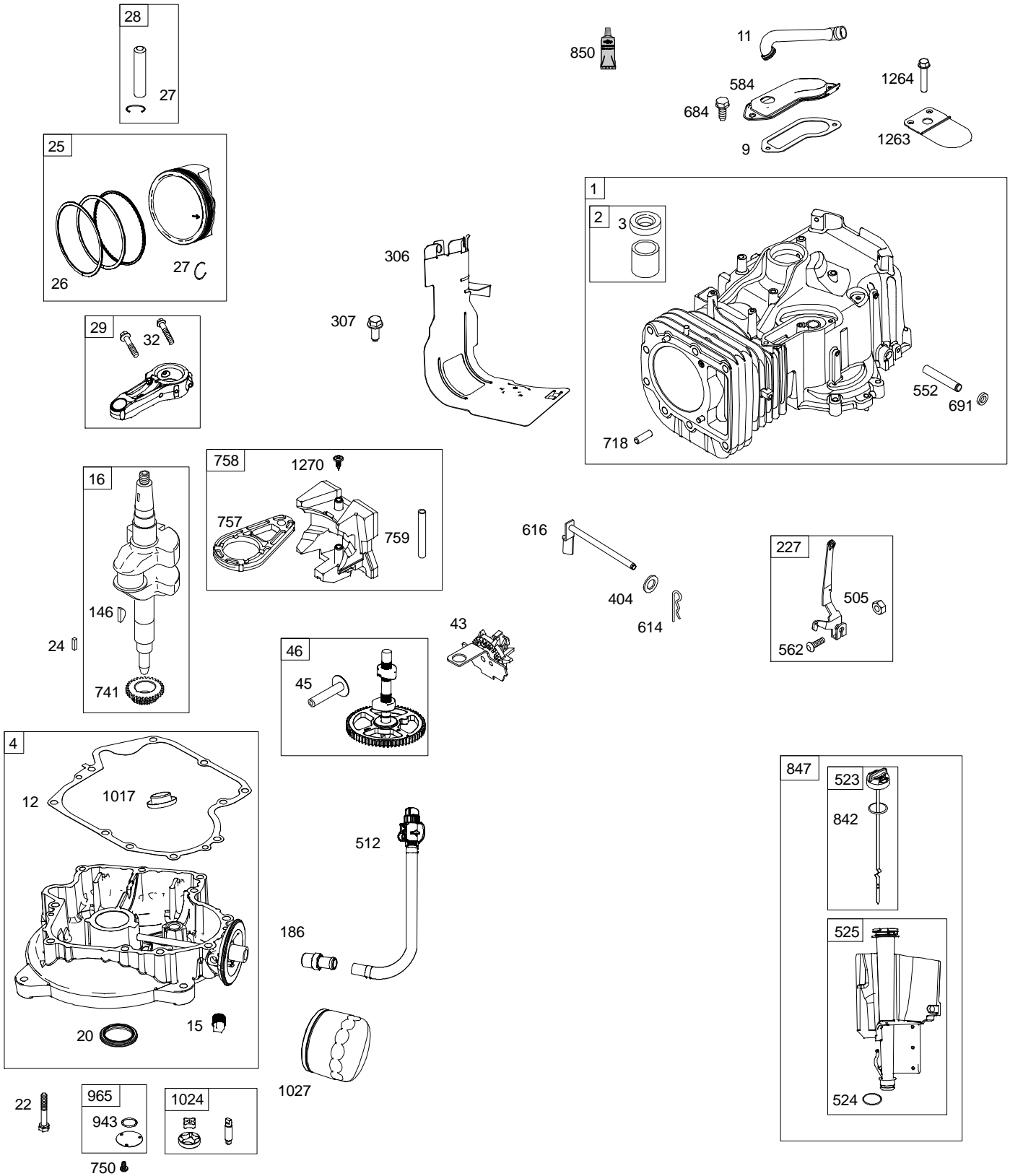
**Reserve onderdelen**

**Repuestos**

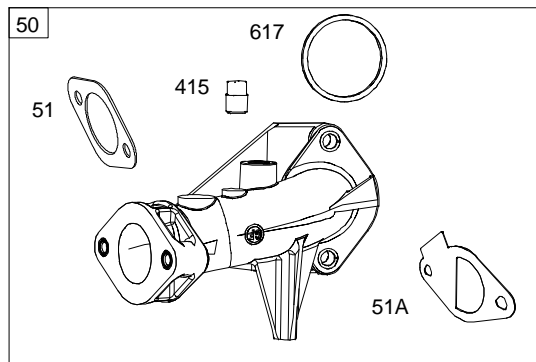
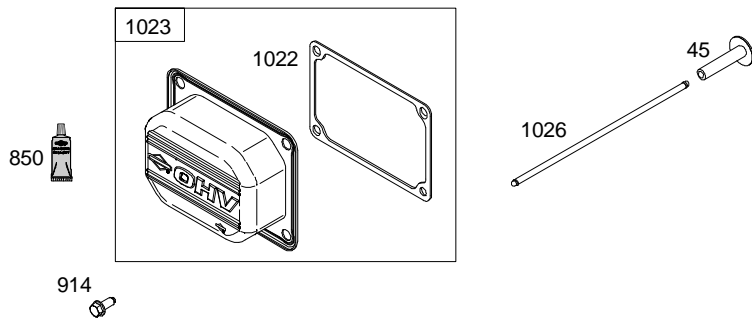
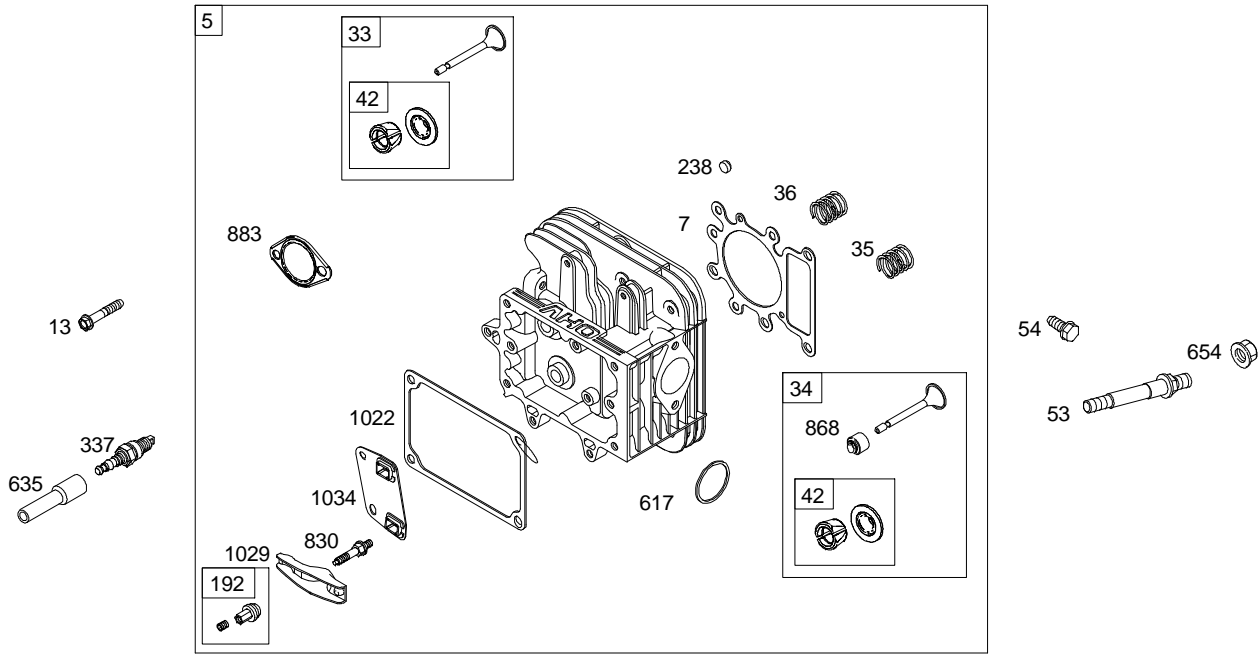
**Reservdelar**

48 SHORT BLOCK

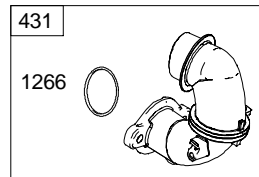
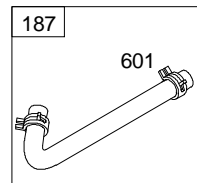
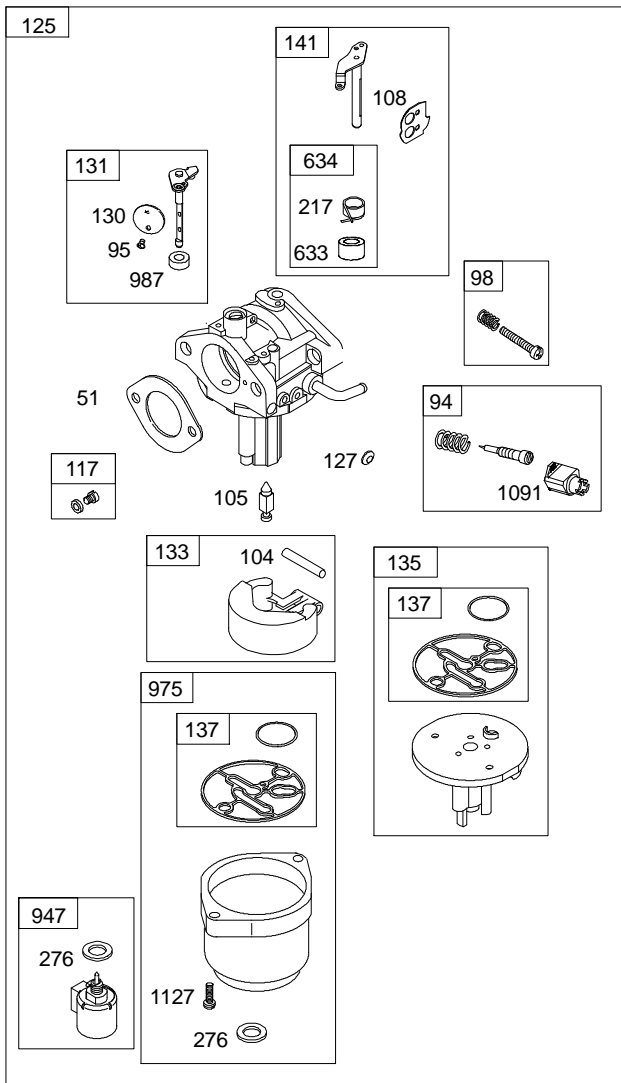
1329 REPLACEMENT ENGINE



| <b>Key No.</b> | <b>B&amp;S Part No.</b> | <b>HVA Part No.</b> | <b>Description</b>  |
|----------------|-------------------------|---------------------|---|
| 1              | 794128                  | 576 32 67-01        | Cylinder Assembly   |
| 2              | 399265                  | 576 29 57-01        | Bushing/Seal Kit (Magneto Side)   |
| 3              | 391086s                 | 576 33 77-01        | Seal-Oil (Magneto Side)   |
| 4              | 795993                  | 576 32 96-01        | Sump-Engine   |
| 9              | 697109                  | 576 31 63-01        | Gasket-Breather (Liquid Gasket and the Breather Gasket are Interchangeable) |
| 11             | 794683                  | 576 32 77-01        | Tube-Breather   |
| 12             | 697110                  | 576 31 64-01        | Gasket-Crankcase  |
| 15             | 690946                  | 576 29 87-01        | Plug-Oil Drain  |
| 16             | 797585                  | 576 33 57-01        | Crankshaft  |
| 20             | 795387                  | 576 32 87-01        | Seal-Oil (PTO Side)   |
| 22             | 692125                  | 576 30 76-01        | Screw (Crankcase Cover/Sump)  |
| 24             | 222698s                 | 576 33 73-01        | Key-Flywheel  |
| 25             | 795858                  | 576 32 89-01        | Piston Assembly (Standard)  |
| 26             | 794126                  | 576 32 65-01        | Ring Set (Standard)   |
| 27             | 698469                  | 576 31 84-01        | Lock-Piston Pin   |
| 28             | 795861                  | 576 32 90-01        | Pin-Piston  |
| 29             | 794571                  | 576 32 75-01        | Rod-Connecting  |
| 32             | 791118                  | 576 32 10-01        | Screw (Connecting Rod)  |
| 43             | 691968                  | 576 30 69-01        | Slinger-Governor/Oil  |
| 45             | 690564                  | 576 29 80-01        | Tappet-Valve  |
| 46             | 793880                  | 576 32 62-01        | Camshaft  |
| 48             | 795446                  | 576 32 88-01        | Short Block   |
| 146            | 691639                  | 576 30 56-01        | Key-Timing  |
| 186            | 796532                  | 575 49 66-01        | Connector-Hose (Oil Drain Hose)   |
| 227            | 691374                  | 576 30 52-01        | Lever-Governor Control  |
| 306            | 794953                  | 576 32 82-01        | Shield-Cylinder   |
| 307            | 691003                  | 576 30 16-01        | Screw (Cylinder Shield)   |
| 404            | 691691                  | 576 30 58-01        | Washer (Governor Crank)   |
| 505            | 691251                  | 576 30 43-01        | Nut (Governor Control Lever)  |
| 512            | 796530                  | 575 49 29-01        | Hose-Oil Drain  |
| 523            | 699908                  | 576 32 01-01        | Dipstick  |
| 524            | 691032                  | 576 30 24-01        | Seal-Dipstick Tube  |
| 525            | 697184                  | 576 31 69-01        | Tube-Dipstick   |
| 552            | 697144                  | 576 31 67-01        | Bushing-Governor Crank  |
| 562            | 691119                  | 576 30 37-01        | Screw (Governor Control Lever)  |
| 584            | 794682                  | 575 33 52-01        | Cover-Breather Passage  |
| 614            | 691620                  | 576 30 55-01        | Pin-Cotter (Governor Crank)   |
| 616            | 692012                  | 576 30 73-01        | Crank-Governor  |
| 684            | 697157                  | 576 31 68-01        | Screw (Breather Passage Cover)  |
| 691            | 692407                  | 576 30 81-01        | Seal-Governor Shaft   |
| 718            | 690959                  | 576 29 94-01        | Pin-Locating  |
| 741            | 697128                  | 576 31 66-01        | Gear-Timing   |
| 750            | 790832                  | 576 32 09-01        | Screw (Oil Pump Cover)  |
| 757            | 793242                  | 576 32 42-01        | Link-Counterweight  |
| 758            | 793763                  | 576 32 61-01        | Counterweight   |
| 759            | 697392                  | 576 31 71-01        | Pin-Counterweight   |
| 842            | 691031                  | 576 30 23-01        | Seal-O Ring (Dipstick Tube)   |
| 847            | 790442                  | 576 32 03-01        | Dipstick/Tube Assembly  |
| 850            | 100106                  | 576 29 55-01        | Sealant-Liquid  |
| 943            | 690589                  | 576 29 81-01        | Seal-O Ring (Oil Pump Cover)  |
| 965            | 499613                  | 576 29 64-01        | Cover-Oil Pump  |
| 1017           | 796981                  | 576 33 43-01        | Screen-Oil Pump   |
| 1024           | 794644                  | 576 32 76-01        | Pump-Oil  |
| 1027           | 798576                  | 576 33 60-01        | Filter-Oil  |
| 1263           | 697124                  | 576 31 65-01        | Reed-Breather   |
| 1264           | 697104                  | 576 31 62-01        | Screw (Breather Reed)   |
| 1270           | 793243                  | 576 32 43-01        | Plug-AVS Counterweight  |
| 1329           | 33M777-0036-G1          | 576 33 76-01        | Replacement Engine  |
| --             | 795877                  | 576 32 91-01        | Piston Assembly (020" Oversize)   |
| --             | 794127                  | 576 32 66-01        | Ring Set (.020" Oversize)   |
| --             | 692011                  | 576 30 72-01        | Rod-Push (Exhaust)  |

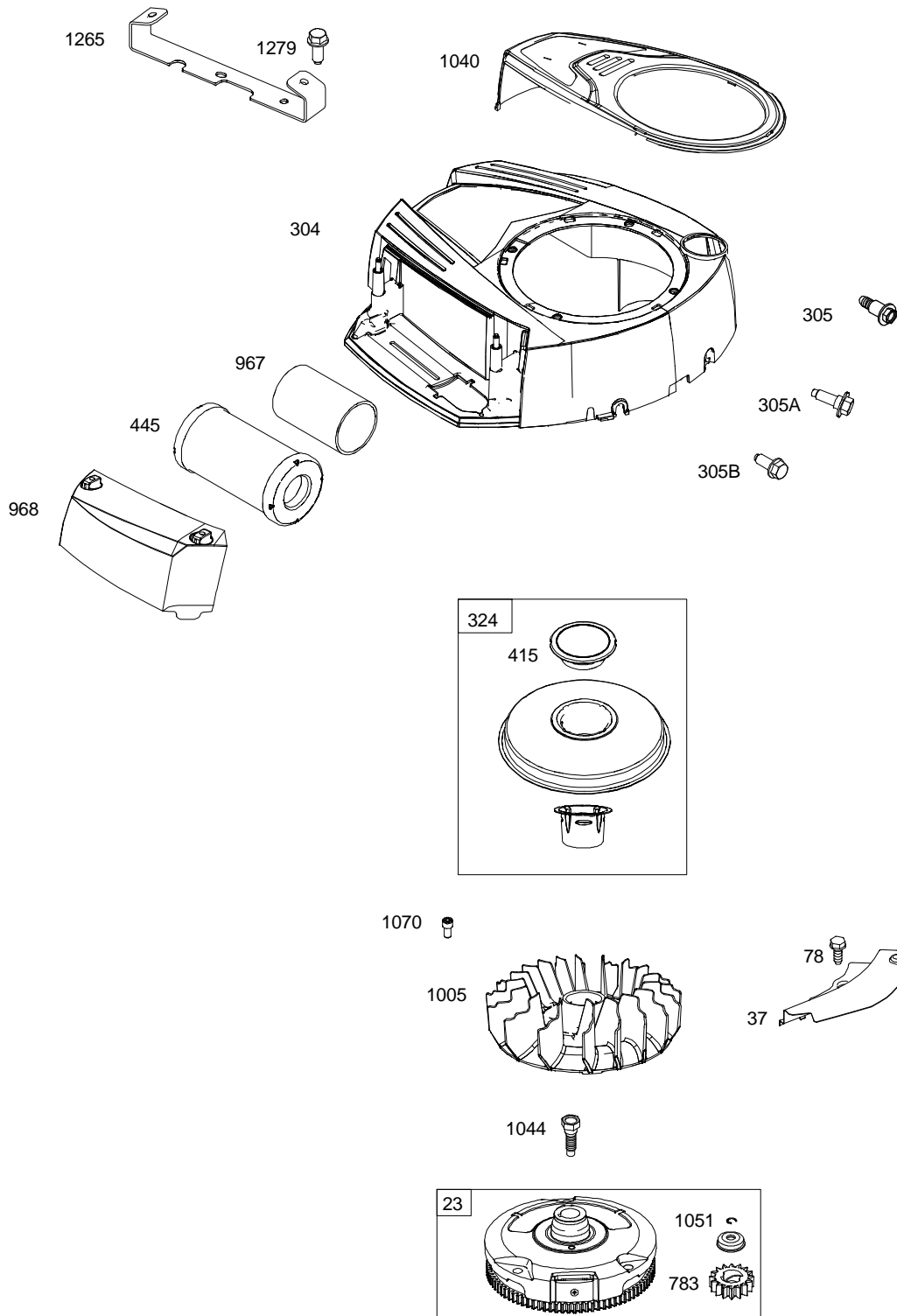


| <b>Key No.</b> | <b>B&amp;S Part No.</b> | <b>HVA Part No.</b> | <b>Description</b>                  |
|----------------|-------------------------|---------------------|-------------------------------------|
| 5              | 796026                  | 576 32 99-01        | Head-Cylinder                       |
| 7              | 794114                  | 576 32 64-01        | Gasket-Cylinder Head                |
| 13             | 793988                  | 576 32 63-01        | Screw (Cylinder Head)               |
| 33             | 792868                  | 576 32 40-01        | Valve-Exhaust                       |
| 34             | 791935                  | 576 32 20-01        | Valve-Intake                        |
| 35             | 691279                  | 576 30 47-01        | Spring-Valve (Intake)               |
| 36             | 691279                  | 576 30 47-01        | Spring-Valve (Exhaust)              |
| 42             | 499586                  | 505 40 41-01        | Keeper-Valve                        |
| 45             | 690564                  | 576 29 80-01        | Tappet-Valve                        |
| 50             | 796180                  | 576 33 06-01        | Manifold-Intake                     |
| 51             | 692137                  | 576 30 77-01        | Gasket-Intake                       |
| 51A            | 794312                  | 576 32 72-01        | Gasket-Intake                       |
| 53             | 690227                  | 576 29 67-01        | Stud (Carburetor)                   |
| 54             | 691148                  | 576 30 39-01        | Screw (Intake Manifold)             |
| 192            | 691986                  | 576 30 70-01        | Adjuster-Rocker Arm                 |
| 238            | 691843                  | 576 30 66-01        | Cap-Valve                           |
| 337            | 696202                  | 576 31 11-01        | Plug-Spark                          |
| 415            | 794129                  | 576 32 68-01        | Plug (Cover/Retainer)               |
| 617            | 692138                  | 576 30 78-01        | Seal-O Ring (Intake Manifold) (Red) |
| 635            | 691909                  | 576 30 67-01        | Boot-Spark Plug                     |
| 654            | 690958                  | 576 29 93-01        | Nut (Carburetor)                    |
| 830            | 691095                  | 576 30 34-01        | Stud-Rocker Arm                     |
| 850            | 100106                  | 576 29 55-01        | Sealant-Liquid                      |
| 868            | 690968                  | 576 29 95-01        | Seal-Valve                          |
| 883            | 692236                  | 576 30 80-01        | Gasket-Exhaust                      |
| 914            | 697551                  | 576 31 72-01        | Screw (Rocker Cover)                |
| 1022           | 272475s                 | 576 33 74-01        | Gasket-Rocker Cover                 |
| 1023           | 797421                  | 576 33 52-01        | Cover-Rocker                        |
| 1026           | 692003                  | 576 30 71-01        | Rod-Push (Intake)                   |
| 1029           | 691751                  | 576 30 60-01        | Arm-Rocker                          |
| 1034           | 690822                  | 576 29 85-01        | Guide-Push Rod                      |



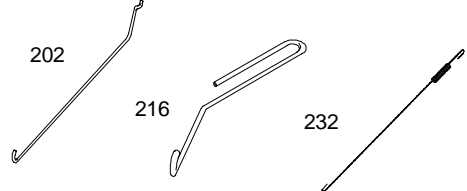
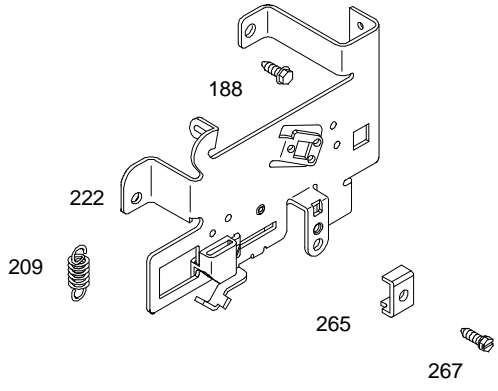
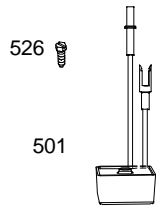
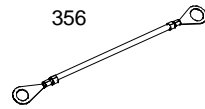
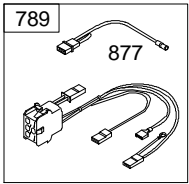
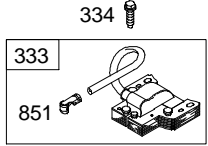
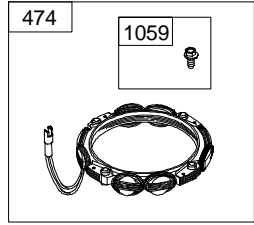
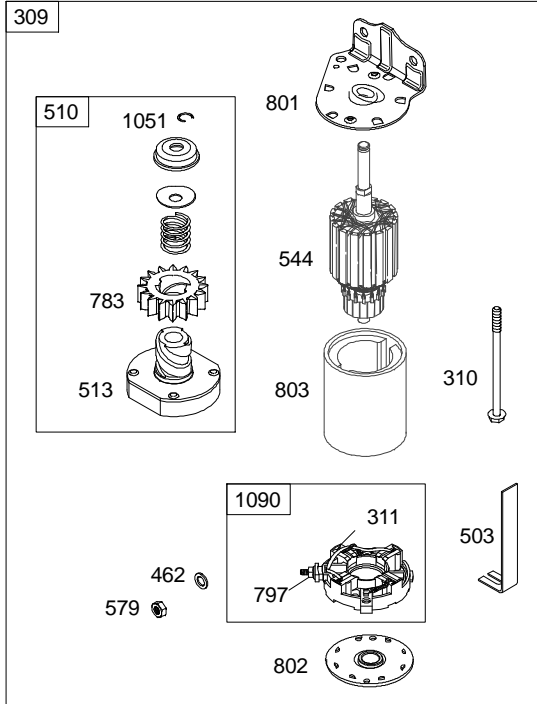
| <b>Key No.</b> | <b>B&amp;S Part No.</b> | <b>HVA Part No.</b> | <b>Description</b>                          |
|----------------|-------------------------|---------------------|---|
| 51             | 692137                  | 576 30 77-01        | Gasket-Intake                               |
| 94             | 793610                  | 576 32 56-01        | Kit-Idle Mixture                            |
| 95             | 690718                  | 576 29 83-01        | Screw (Throttle Valve)                      |
| 98             | 695408                  | 576 31 03-01        | Kit-Idle Speed                              |
| 104            | 694918                  | 576 30 97-01        | Pin-Float Hinge                             |
| 105            | 696136                  | 576 31 10-01        | Valve-Float Needle                          |
| 108            | 695419                  | 576 31 07-01        | Valve-Choke                                 |
| 117            | 796251                  | 576 33 24-01        | Jet-Main (Standard)                         |
| 118            | 791406                  | 576 32 12-01        | Jet-Main (High Altitude)                    |
| 125            | 796587                  | 576 33 33-01        | Carburetor                                  |
| 127            | 690727                  | 576 29 84-01        | Plug-Welch                                  |
| 130            | 792747                  | 576 32 37-01        | Valve-Throttle                              |
| 131            | 792765                  | 576 32 38-01        | Kit-Throttle Shaft                          |
| 133            | 694914                  | 576 30 96-01        | Float-Carburetor                            |
| 135            | 698780                  | 576 31 88-01        | Tube-Fuel Transfer                          |
| 137            | 698781                  | 576 31 89-01        | Gasket-Float Bowl                           |
| 141            | 792777                  | 576 32 39-01        | Kit-Choke Shaft                             |
| 187            | 791805                  | 576 32 18-01        | Line-Fuel (Formed) (Cut to Required Length) |
| 217            | 695409                  | 576 31 04-01        | Spring-Choke Return                         |
| 240            | 691035                  | 576 30 25-01        | Filter-Fuel                                 |
| 276            | 695410                  | 576 31 06-01        | Washer-Sealing                              |
| 431            | 794145                  | 576 32 69-01        | Elbow-Intake                                |
| 601            | 791850                  | 575 62 96-01        | Hose-Clamp (Green)                          |
| 633            | 699813                  | 576 31 98-01        | Seal-Choke/Throttle Shaft (Choke Shaft)     |
| 634            | 698779                  | 576 31 87-01        | Spring/Seal Assembly (Choke Shaft)          |
| 947            | 699915                  | 576 32 02-01        | Solenoid-Fuel                               |
| 975            | 699502                  | 576 31 91-01        | Bowl-Fuel                                   |
| 987            | 698777                  | 576 31 86-01        | Seal-Throttle Shaft                         |
| 1091           | 691333                  | 576 30 51-01        | Cap-Limiter                                 |
| 1127           | 695407                  | 576 31 02-01        | Screw (Float Bowl)                          |
| 1266           | 691917                  | 576 30 68-01        | Seal-O Ring (Intake Elbow) (Red)            |

1036 EMISSIONS LABEL

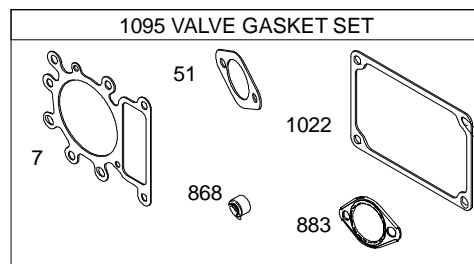
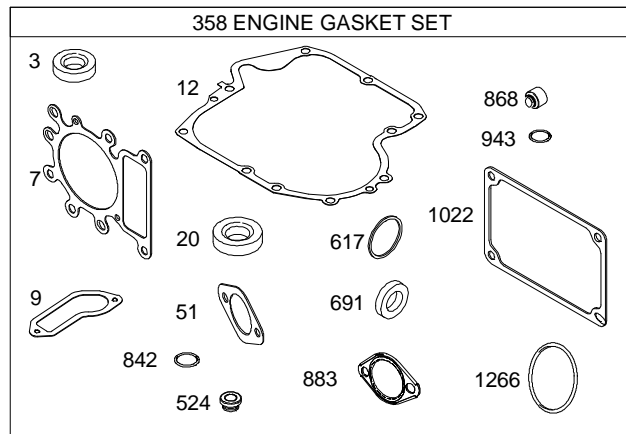
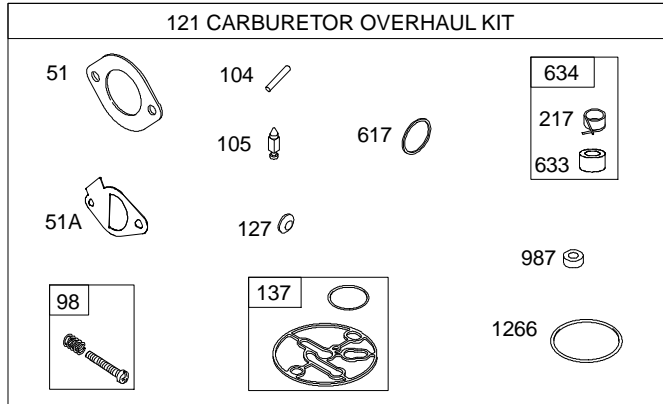




| <b>Key No.</b> | <b>B&amp;S Part No.</b> | <b>HVA Part No.</b> | <b>Description</b>  |
|----------------|-------------------------|---------------------|---|
| 23             | 698282                  | 576 31 80-01        | Flywheel  |
| 37             | 699882                  | 576 32 00-01        | Guard-Flywheel  |
| 78             | 691003                  | 576 30 16-01        | Screw (Flywheel Guard)  |
| 304            | 798577                  | 576 33 61-01        | Housing-Blower  |
| 305            | 697102                  | 576 31 61-01        | Screw (Blower Housing) (1/4-20x1.33)                                      |
| 305A           | 793376                  | 576 32 45-01        | Screw (Blower Housing) (1/4-20x.66)                                       |
| 305B           | 795891                  | 576 32 92-01        | Screw (Blower Housing) (Blower Housing to Elbow)                          |
| 324            | 796309                  | 576 33 29-01        | Screen/Cup Assembly   |
| 415            | 794129                  | 576 32 68-01        | Plug (Cover/Retainer)   |
| 445            | 793569                  | 576 32 54-01        | Filter-Air Cleaner Cartridge  |
| 783            | 693713                  | 576 30 89-01        | Gear-Pinion   |
| 967            | 793685                  | 576 32 60-01        | Filter-Pre Cleaner  |
| 968            | 798577                  | 576 33 61-01        | Cover-Air Cleaner   |
| 1005           | 796084                  | 576 33 01-01        | Fan-Flywheel  |
| 1036           | --                      | --                  | Label-Emissions<br>(Available from a Briggs & Stratton Authorized Dealer) |
| 1040           | 798568                  | 576 33 59-01        | Plate-Trim  |
| 1044           | 698139                  | 576 31 78-01        | Screw (Flywheel)  |
| 1051           | 691265                  | 576 30 46-01        | Ring-Retaining  |
| 1070           | 690363                  | 576 29 75-01        | Screw (Flywheel Fan)  |
| 1265           | 794151                  | 576 32 70-01        | Support-Blower Housing  |
| 1279           | 697551                  | 576 31 72-01        | Screw (Blower Housing Support)  |



| <b>Key No.</b> | <b>B&amp;S Part No.</b> | <b>HVA Part No.</b> | <b>Description</b>  |
|----------------|-------------------------|---------------------|---|
| 188            | 691693                  | 576 30 59-01        | Screw (Control Bracket)   |
| 202            | 691841                  | 576 30 64-01        | Link-Mechanical Governor  |
| 209            | 692208                  | 576 30 79-01        | Spring-Governor (Green)   |
| 216            | 691840                  | 576 30 63-01        | Link-Choke  |
| 222            | 694042                  | 576 30 94-01        | Bracket-Control   |
| 232            | 691842                  | 576 30 65-01        | Spring-Governor Link  |
| 265            | 691024                  | 576 30 21-01        | Clamp-Casing  |
| 267            | 794904                  | 576 32 80-01        | Screw (Casing Clamp)  |
| 309            | 693551                  | 576 30 87-01        | Motor-Starter   |
| 310            | 690323                  | 576 29 73-01        | Screw (Starter Motor)   |
| 311            | 497608                  | 576 29 59-01        | Brush Set   |
| 333            | 795315                  | 576 32 86-01        | Armature-Magneto  |
| 334            | 691061                  | 576 30 33-01        | Screw (Magneto Armature)  |
| 356            | 697089                  | 576 31 60-01        | Wire-Stop   |
| 462            | 691261                  | 576 30 44-01        | Washer (Starter Cable)  |
| 474            | 696457                  | 576 31 12-01        | Alternator  |
| 501            | 794360                  | 576 32 73-01        | Regulator   |
| 503            | 691532                  | 576 30 54-01        | Strap-Starter   |
| 510            | 693699                  | 576 30 88-01        | Drive-Starter   |
| 513            | 692024                  | 576 30 74-01        | Clutch-Drive  |
| 526            | 697088                  | 576 31 59-01        | Screw (Regulator)   |
| 544            | --                      | --                  | Armature-Starter<br>(For Replacement, Order Starter Motor, Reference 309) |
| 579            | 691029                  | 576 30 22-01        | Nut (Starter Cable)   |
| 697            | 690372                  | 576 29 76-01        | Screw (Drive Cap)   |
| 729            | 691224                  | 576 30 42-01        | Clip-Wire   |
| 783            | 693713                  | 576 30 89-01        | Gear-Pinion   |
| 789            | 698329                  | 576 31 82-01        | Harness-Wiring  |
| 797            | 693167                  | 576 30 86-01        | Nut (Brush Retainer)  |
| 801            | 691283                  | 576 30 48-01        | Cap-Drive   |
| 802            | 691286                  | 576 30 49-01        | Cap-End   |
| 803            | --                      | --                  | Housing-Starter<br>(For Replacement, Order Starter Motor, Reference 309)  |
| 851            | 692424                  | 576 30 82-01        | Terminal-Spark Plug   |
| 877            | 790544                  | 576 32 05-01        | Wire/Connector-Alternator   |
| 1051           | 691265                  | 576 30 46-01        | Ring-Retaining  |
| 1059           | 698516                  | 576 31 85-01        | Kit-Screw/Washer  |
| 1090           | 691293                  | 576 30 50-01        | Retainer-Brush  |
| 1119           | 691183                  | 576 30 40-01        | Screw (Alternator)  |



| <b>Key No.</b> | <b>B&amp;S Part No.</b> | <b>HVA Part No.</b> | <b>Description</b>  |
|----------------|-------------------------|---------------------|---|
| 3              | 391086s                 | 576 33 77-01        | Seal-Oil (Magneto Side)   |
| 7              | 794114                  | 576 32 64-01        | Gasket-Cylinder Head  |
| 9              | 697109                  | 576 31 63-01        | Gasket-Breather (Liquid Gasket and the Breather Gasket are Interchangeable) |
| 12             | 697110                  | 576 31 64-01        | Gasket-Crankcase  |
| 20             | 795387                  | 576 32 87-01        | Seal-Oil (PTO Side)   |
| 51             | 692137                  | 576 30 77-01        | Gasket-Intake   |
| 51A            | 794312                  | 576 32 72-01        | Gasket-Intake   |
| 98             | 695408                  | 576 31 03-01        | Kit-Idle Speed  |
| 104            | 694918                  | 576 30 97-01        | Pin-Float Hinge   |
| 105            | 696136                  | 576 31 10-01        | Valve-Float Needle  |
| 121            | 796184                  | 576 33 07-01        | Kit-Carburetor Overhaul   |
| 125            | 796587                  | 576 33 33-01        | Carburetor  |
| 127            | 690727                  | 576 29 84-01        | Plug-Welch  |
| 137            | 698781                  | 576 31 89-01        | Gasket-Float Bowl   |
| 217            | 695409                  | 576 31 04-01        | Spring-Choke Return   |
| 358            | 796187                  | 574 25 73-01        | Gasket Set-Engine   |
| 524            | 691032                  | 576 30 24-01        | Seal-Dipstick Tube  |
| 617            | 692138                  | 576 30 78-01        | Seal-O Ring (Intake Manifold) (Red)   |
| 633            | 699813                  | 576 31 98-01        | Seal-Choke/Throttle Shaft (Choke Shaft)                                     |
| 634            | 698779                  | 576 31 87-01        | Spring/Seal Assembly (Choke Shaft)  |
| 691            | 692407                  | 576 30 81-01        | Seal-Governor Shaft   |
| 842            | 691031                  | 576 30 23-01        | Seal-O Ring (Dipstick Tube)   |
| 868            | 690968                  | 576 29 95-01        | Seal-Valve  |
| 883            | 692236                  | 576 30 80-01        | Gasket-Exhaust  |
| 943            | 690589                  | 576 29 82-01        | Seal-O Ring (Oil Pump Cover)  |
| 987            | 698777                  | 576 31 86-01        | Seal-Throttle Shaft   |
| 1022           | 272475s                 | 576 33 74-01        | Gasket-Rocker Cover   |
| 1095           | 794152                  | 576 32 71-01        | Gasket Set-Valve  |
| 1266           | 691917                  | 576 30 68-01        | Seal-O Ring (Intake Elbow) (Red)  |