

Briggs&Stratton

40H777-1421-B1

Spare parts

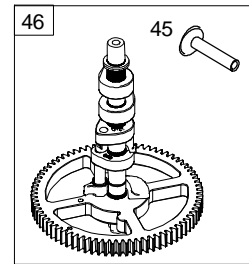
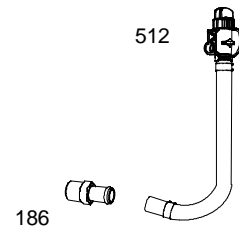
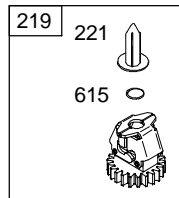
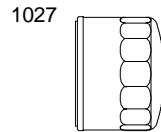
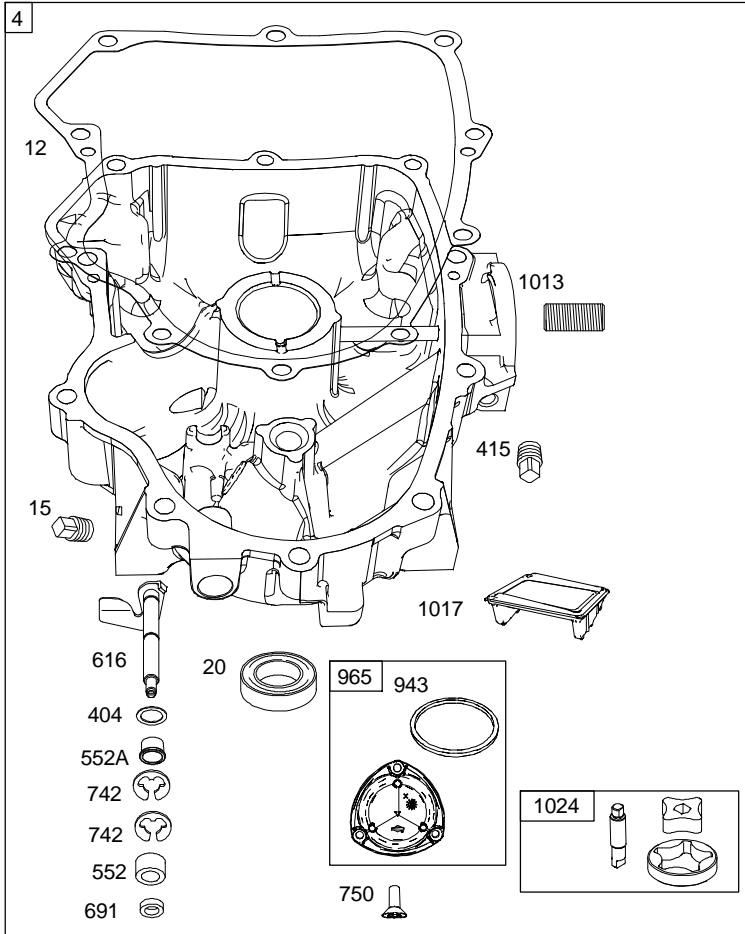
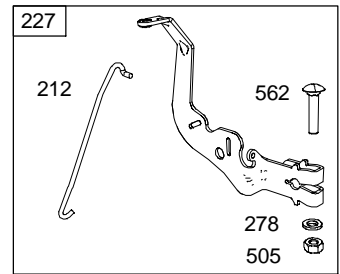
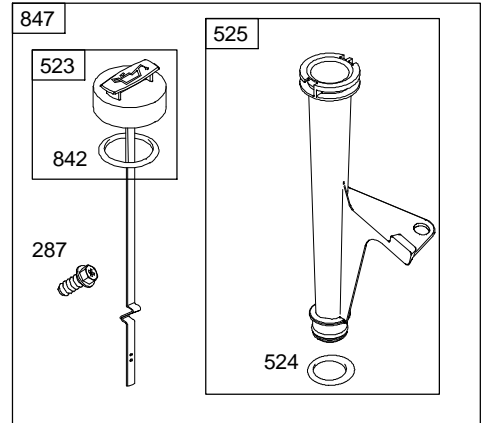
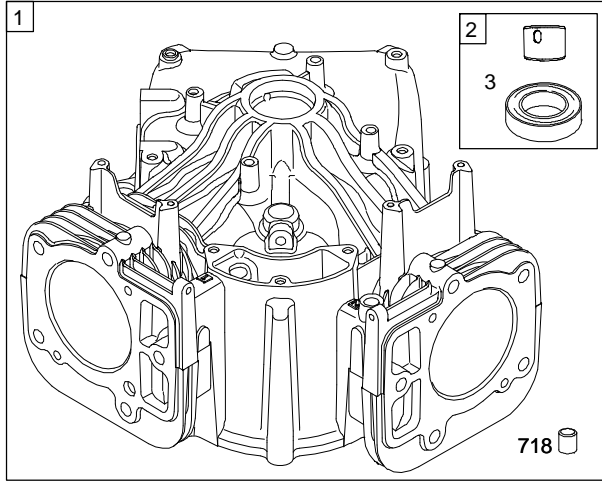
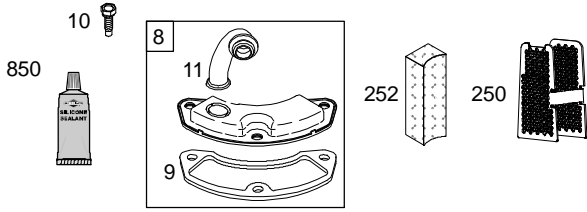
Ersatzteile

Pièces détachées

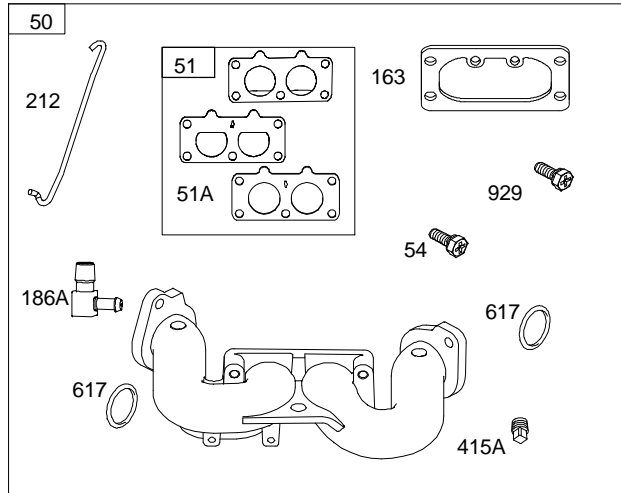
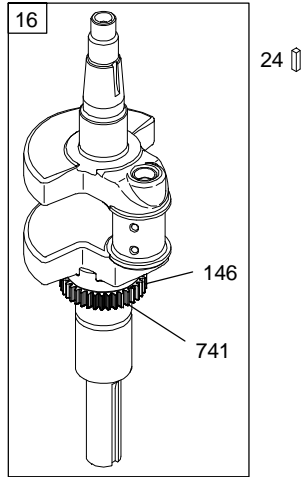
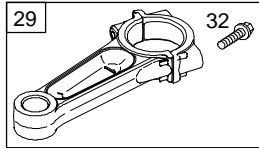
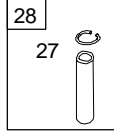
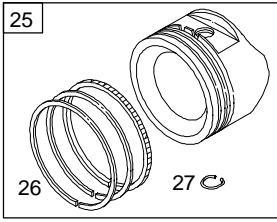
Reserve onderdelen

Repuestos

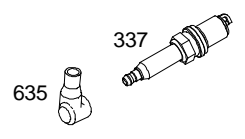
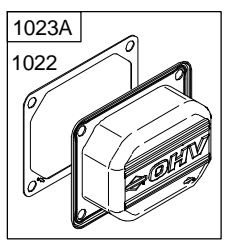
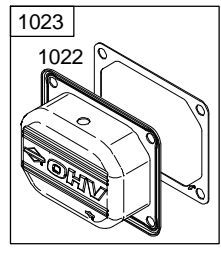
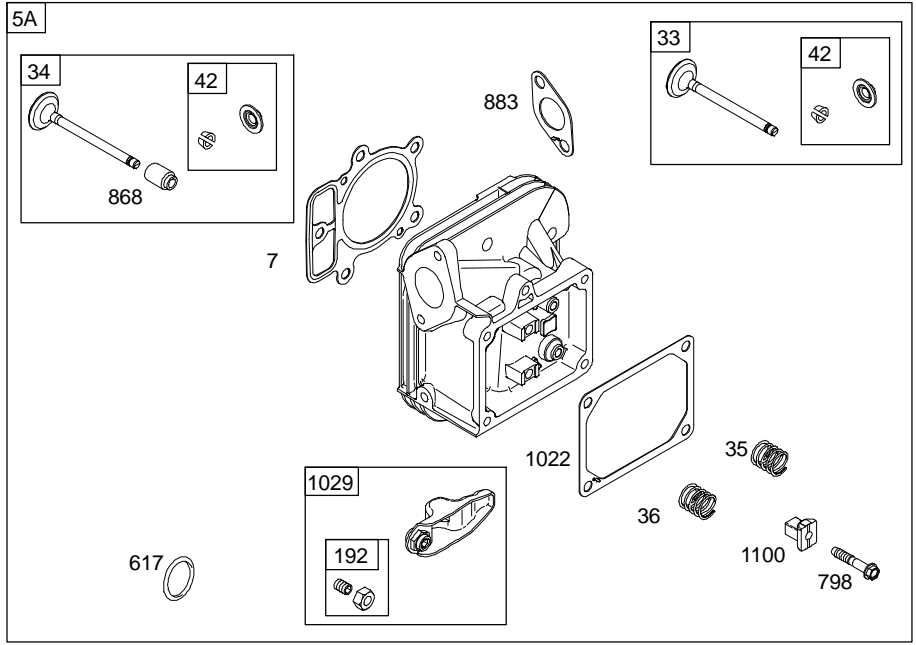
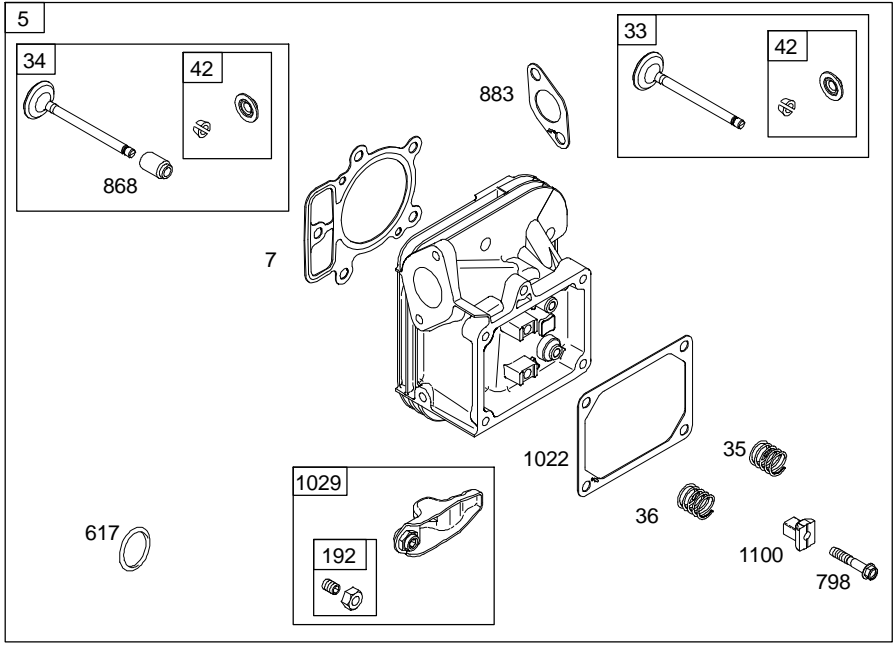
Reservdelar



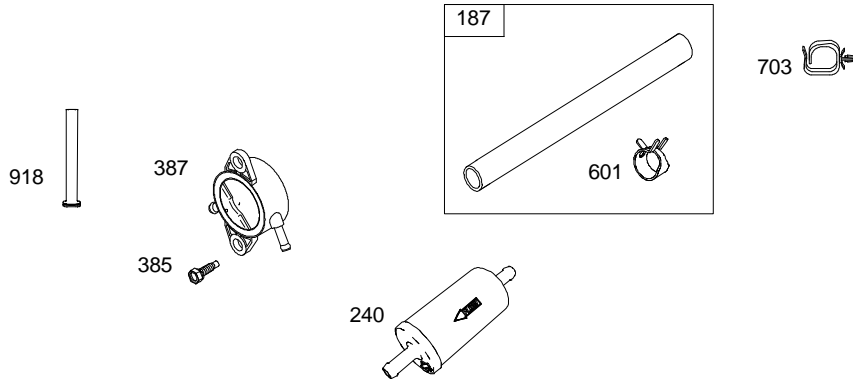
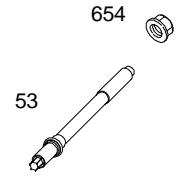
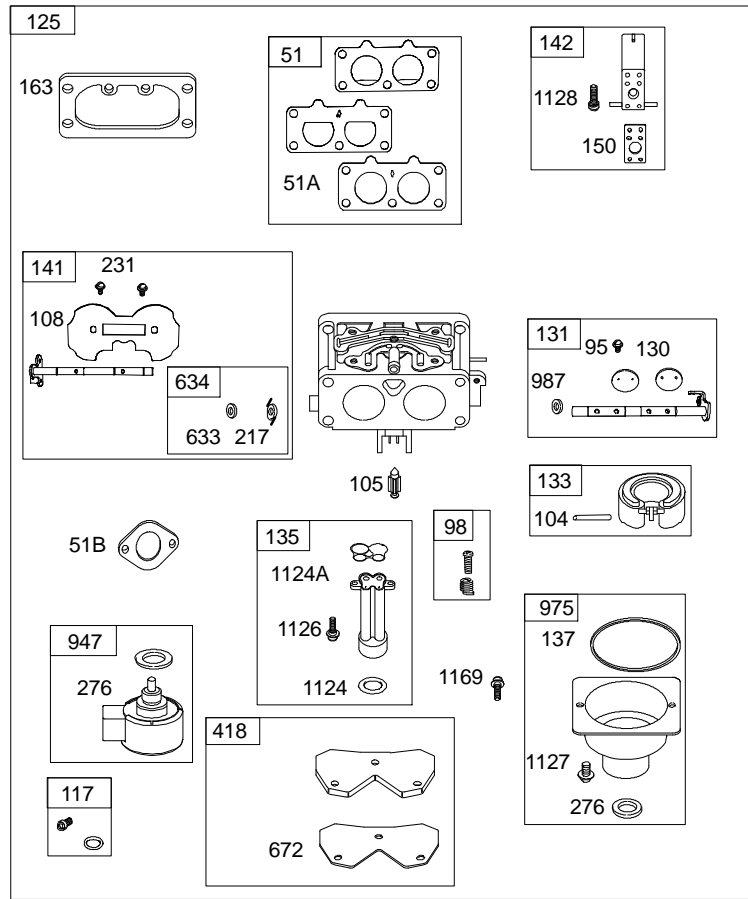
Key No.	B&S Part No.	HVA Part No.	Description
1	795118	576 32 83-01	Cylinder Assembly
2	797673	576 33 58-01	Bushing/Seal Kit (Magneto Side)
3	391086s	576 33 77-01	Seal-Oil (Magneto Side)
4	796307	576 33 28-01	Sump-Engine
8	792185	576 32 27-01	Breather Assembly
9	690937	576 29 86-01	Gasket-Breather
10	697551	576 31 72-01	Screw (Breather Assembly)
11	792184	576 32 26-01	Tube-Breather
12	697227	576 31 70-01	Gasket-Crankcase
15	690946	576 29 87-01	Plug-Oil Drain
20	795387	576 32 87-01	Seal-Oil (PTO Side)
22	694966	576 30 98-01	Screw (Crankcase Cover/Sump)
45	690977	576 30 01-01	Tappet-Valve
46	797242	576 33 47-01	Camshaft
48	797093	576 33 45-01	Short Block
186	796532	575 49 66-01	Connector-Hose (Oil Drain Hose)
212	695238	576 30 99-01	Link-Throttle
219	793338	576 32 44-01	Gear-Governor
220	690412	576 29 77-01	Washer (Governor Gear)
221	841026	576 33 67-01	Cup-Governor
227	796223	576 33 14-01	Lever-Governor Control
250	690957	576 29 92-01	Retainer-Breather
252	794389	576 32 74-01	Collector-Oil
278	792651	576 32 36-01	Washer (Governor Control Lever)
287	697551	576 31 72-01	Screw (Dipstick Tube)
404	690442	576 29 78-01	Washer (Governor Crank)
415	690283	576 29 69-01	Plug (Oil Pressure Switch Hole)
505	691029	576 30 22-01	Nut (Governor Control Lever)
512	796530	575 49 29-01	Hose-Oil Drain
523	691036	576 30 26-01	Dipstick
524	691032	576 30 24-01	Seal-Dipstick Tube
525	691037	576 30 27-01	Tube-Dipstick
552	796638	576 33 35-01	Bushing-Governor Crank
552A	690553	576 29 79-01	Bushing-Governor Crank
562	690311	576 29 72-01	Screw (Governor Control Lever)
615	698290	576 31 81-01	Retainer-Governor Shaft
616	691045	576 30 29-01	Crank-Governor
691	790574	576 32 06-01	Seal-Governor Shaft
718	690959	576 29 94-01	Pin-Locating
742	690328	576 29 74-01	Retainer-E Ring
750	796208	576 33 08-01	Screw (Oil Pump Cover)
842	691031	576 30 23-01	Seal-O Ring (Dipstick Tube)
847	499602	576 29 62-01	Dipstick/Tube Assembly
850	100106	576 29 55-01	Sealant-Liquid
943	796222	576 33 13-01	Seal-O Ring (Oil Pump Cover)
965	796221	576 33 12-01	Cover-Oil Pump
1013	690954	576 29 91-01	Nipple-Oil Filter
1017	796214	576 33 10-01	Screen-Oil Pump
1024	796220	576 33 11-01	Pump-Oil
1027	798576	576 33 60-01	Filter-Oil
1329	44L777-0137-G1	576 33 79-01	Replacement Engine
--	793648	576 32 58-01	Piston Assembly (.020" Oversize)
--	791792	576 32 17-01	Ring Set (.020" Oversize)



Key No.	B&S Part No.	HVA Part No.	Description
16	796237	576 33 23-01	Crankshaft
24	222698s	576 33 73-01	Key-Flywheel
25	793647	576 32 57-01	Piston Assembly (Standard)
26	791787	576 32 16-01	Ring Set (Standard)
27	690975	576 29 99-01	Lock-Piston Pin
28	696581	576 31 58-01	Pin-Piston
29	796209	576 33 09-01	Rod-Connecting
32	690976	576 30 00-01	Screw (Connecting Rod)
50	695241	576 31 01-01	Manifold-Intake
51	795123	576 32 85-01	Gasket-Intake
51A	690950	576 29 89-01	Gasket-Intake
54	699816	576 31 99-01	Screw (Intake Manifold)
146	690979	576 30 02-01	Key-Timing
163	691001	576 30 14-01	Gasket-Air Cleaner
186A	795985	576 32 95-01	Connector-Hose (Intake Manifold)
212	695238	576 30 99-01	Link-Throttle
415A	794903	576 32 79-01	Plug (Intake Manifold)
617	697891	576 31 77-01	Seal-O Ring (Intake Manifold) (Red)
741	690980	576 30 03-01	Gear-Timing
929	695239	576 31 00-01	Screw (Choke Control Bracket)

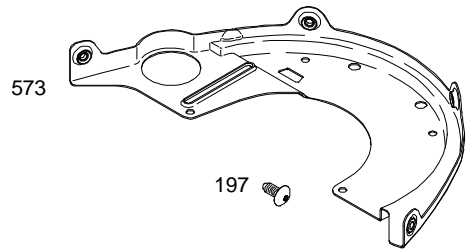
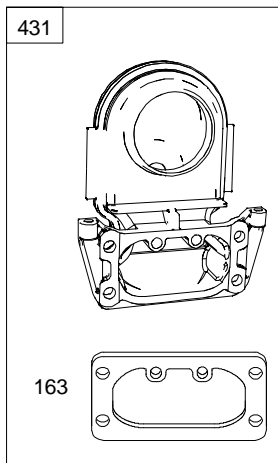
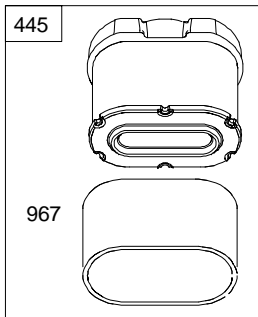
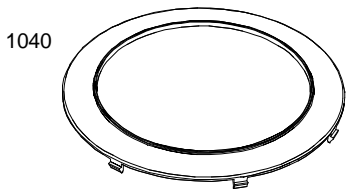
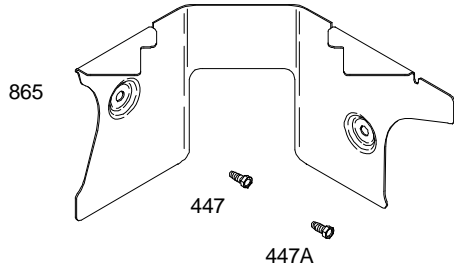
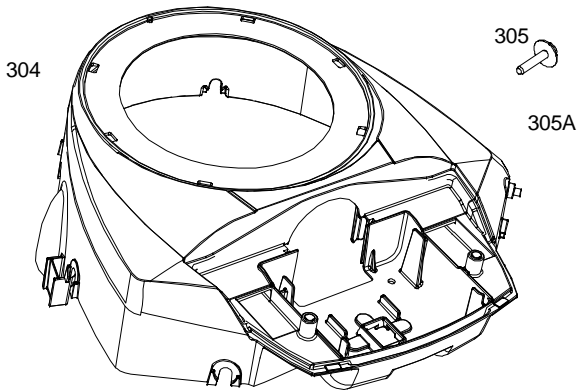
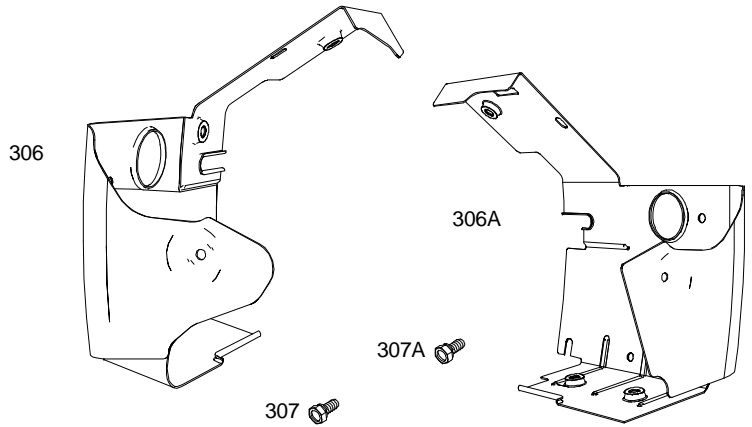
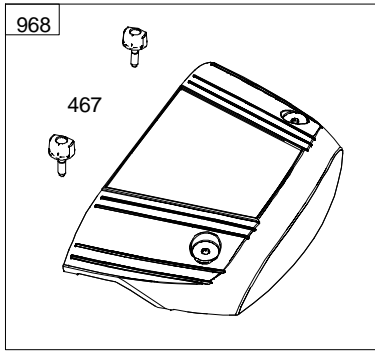


Key No.	B&S Part No.	HVA Part No.	Description
5	796231	576 33 21-01	Head-Cylinder (Cylinder #1)
5A	796232	576 33 22-01	Head-Cylinder (Cylinder #2)
7	693997	576 30 90-01	Gasket-Cylinder Head
13	793988	576 32 63-01	Screw (Cylinder Head)
33	697576	576 31 73-01	Valve-Exhaust
34	792200	576 32 28-01	Valve-Intake
35	694865	576 30 95-01	Spring-Valve (Intake)
36	694865	576 30 95-01	Spring-Valve (Exhaust)
42	499586	505 40 41-01	Keeper-Valve
45	690977	576 30 01-01	Tappet-Valve
192	690083	576 29 66-01	Adjuster-Rocker Arm
337	696202	576 31 11-01	Plug-Spark
617	697891	576 31 77-01	Seal-O Ring (Intake Manifold) (Red)
635	66538s	576 33 82-01	Boot-Spark Plug
798	697890	576 31 76-01	Screw (Rocker Arm)
850	100106	576 29 55-01	Sealant-Liquid
868	690968	576 29 95-01	Seal-Valve
883	690970	576 29 96-01	Gasket-Exhaust
914	691127	576 30 38-01	Screw (Rocker Cover)
918	797408	576 33 49-01	Hose-Vacuum (Cylinder #1)
1022	690971	576 29 97-01	Gasket-Rocker Cover
1023	793146	576 32 41-01	Cover-Rocker (Cylinder #1)
1023A	499600	576 29 61-01	Cover-Rocker (Cylinder #2)
1026	690981	576 30 04-01	Rod-Push (Steel) (Exhaust)
1026A	690982	576 30 05-01	Rod-Push (Aluminum) (Intake)
1029	690972	576 29 98-01	Arm-Rocker
1100	791959	576 32 22-01	Pivot-Rocker Arm

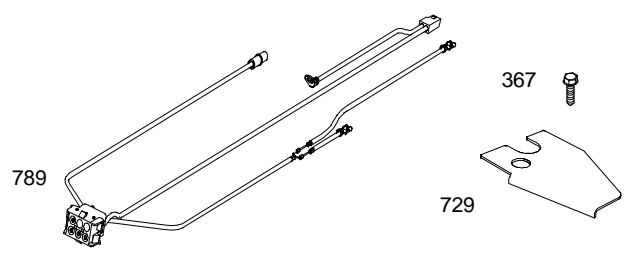
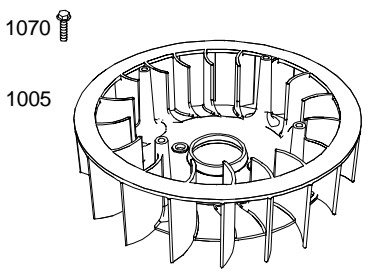
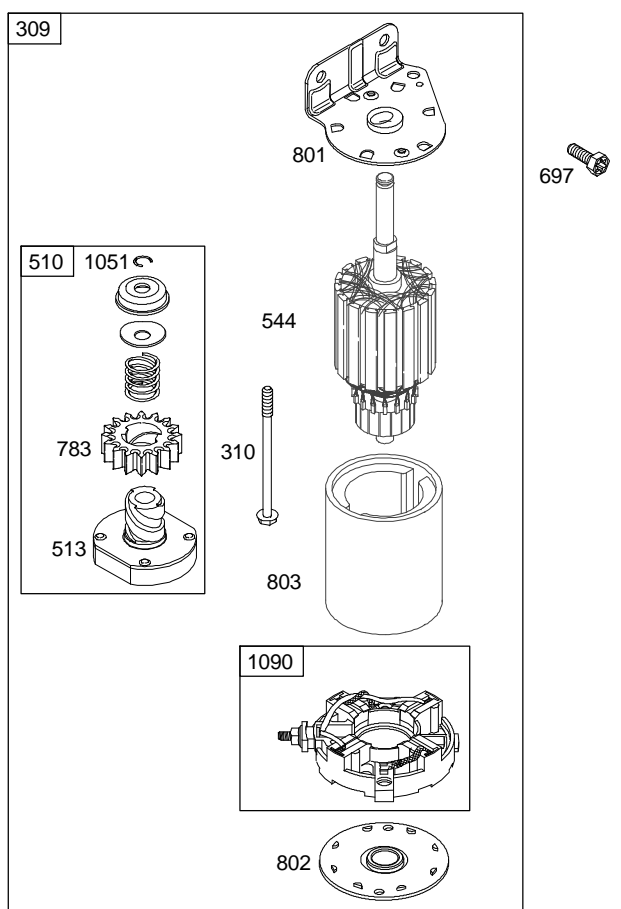
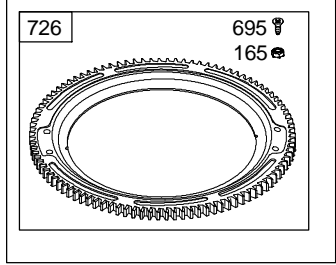
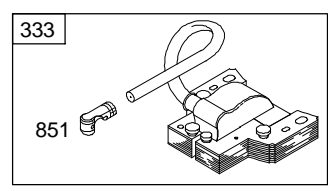
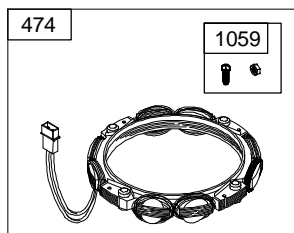
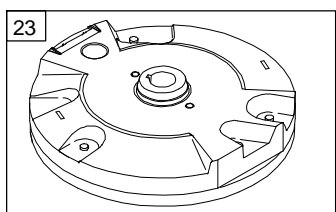
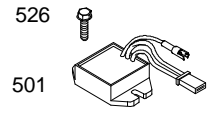
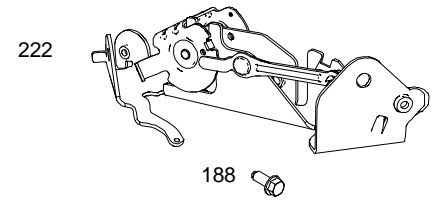
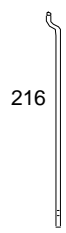
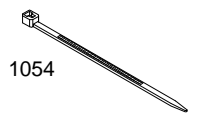
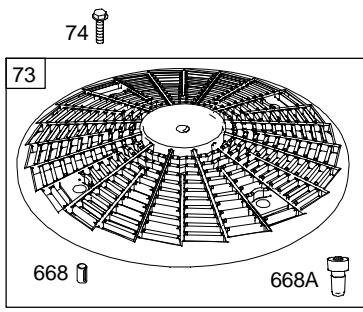


Key No.	B&S Part No.	HVA Part No.	Description
51	795123	576 32 85-01	Gasket-Intake
51A	690950	576 29 89-01	Gasket-Intake
51B	690949	576 29 88-01	Gasket-Intake
53	690951	576 29 90-01	Stud (Carburetor)
95	690718	576 29 83-01	Screw (Throttle Valve)
98	699721	576 31 92-01	Kit-Idle Speed
104	694918	576 30 97-01	Pin-Float Hinge
105	797410	576 33 51-01	Valve-Float Needle
108	699723	576 31 93-01	Valve-Choke
117	842630	576 33 71-01	Jet-Main (Standard) (Left and Right Jet)
118	797477	576 33 56-01	Jet-Main (High Altitude) (Left and Right Jet)
125	796997	576 33 44-01	Carburetor
130	690993	576 30 09-01	Valve-Throttle
131	499805	576 29 65-01	Kit-Throttle Shaft
133	699724	576 31 94-01	Float-Carburetor
135	699729	576 31 96-01	Tube-Fuel Transfer
137	690994	576 30 10-01	Gasket-Float Bowl
141	796228	576 33 19-01	Kit-Choke Shaft
142	699726	576 31 95-01	Nozzle-Carburetor
150	690995	576 30 11-01	Gasket-Nozzle
163	691001	576 30 14-01	Gasket-Air Cleaner
187	791766	576 32 15-01	Line-Fuel (Cut to Required Length)
217	695409	576 31 04-01	Spring-Choke Return
231	690718	576 29 83-01	Screw (Choke Valve)
240	695666	576 31 08-01	Filter-Fuel
276	695410	576 31 06-01	Washer-Sealing
385	797409	576 33 50-01	Screw (Fuel Pump)
387	808656	576 33 66-01	Pump-Fuel
418	795912	576 32 93-01	Plate-Carburetor
601	691038	576 30 28-01	Hose-Clamp (Black)
633	699813	576 31 98-01	Seal-Choke/Throttle Shaft (Choke Shaft)
634	698779	576 31 87-01	Seal/Spring Assembly (Choke Shaft)
654	690958	576 29 93-01	Nut (Carburetor)
672	690234	576 29 68-01	Gasket-Carburetor Plate
703	691010	576 30 18-01	Clip (Fuel Line)
918	797408	576 33 49-01	Hose-Vacuum (Cylinder #1)
947	841546	576 33 68-01	Solenoid-Fuel
975	793592	576 32 55-01	Bowl-Fuel
987	691000	576 30 13-01	Seal-Throttle Shaft
1124	841653	576 33 69-01	Seal-O Ring (Fuel Transfer Tube)
1124A	690988	576 30 06-01	Seal-O Ring (Fuel Transfer Tube)
1126	690991	576 30 08-01	Screw (Fuel Transfer Tube)
1127	695407	576 31 02-01	Screw (Float Bowl)
1128	690990	576 30 07-01	Screw (Carburetor Nozzle)
1169	690990	576 30 07-01	Screw (Carburetor Plate Cover)

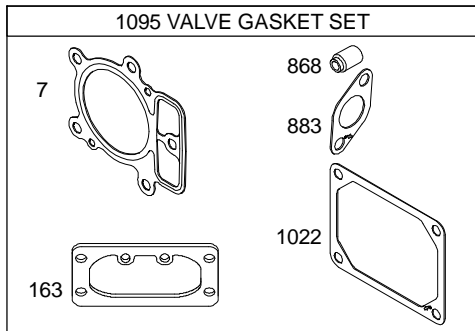
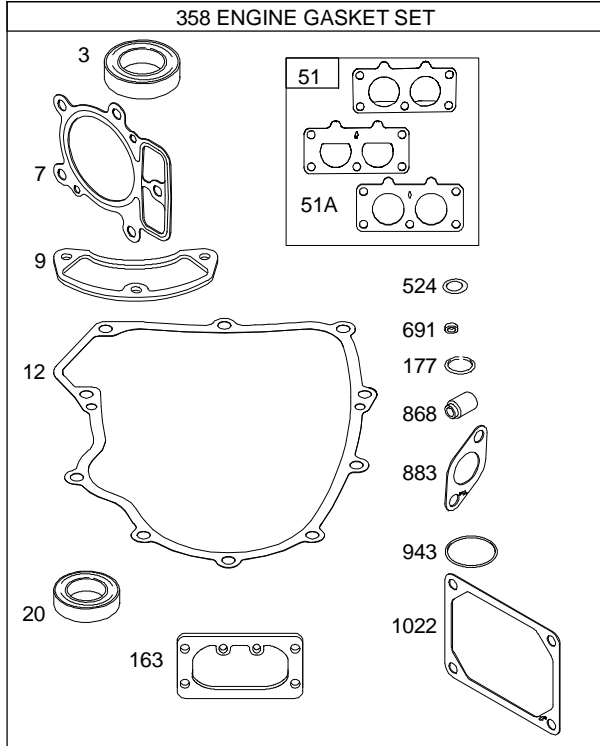
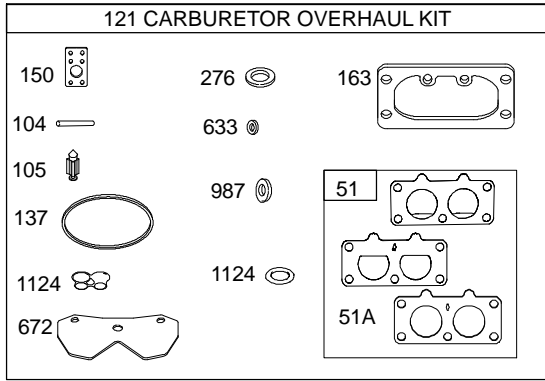
1036 EMISSIONS LABEL



Key No.	B&S Part No.	HVA Part No.	Description
163	691001	576 30 14-01	Gasket-Air Cleaner
197	697820	576 31 75-01	Screw (Back Plate)
304	798579	576 33 63-01	Housing-Blower
305	691005	576 30 17-01	Screw (Blower Housing)
305A	790690	576 32 07-01	Screw (Blower Housing) (Blower Housing to Intake Elbow)
306	796541	576 33 32-01	Shield-Cylinder (Cylinder #2)
306A	796852	576 33 37-01	Shield-Cylinder (Cylinder #1)
307	691003	576 30 16-01	Screw (Cylinder Shield)
307A	697551	576 31 72-01	Screw (Cylinder Shield) (1/4-20x.66)
431	792297	576 32 31-01	Elbow-Intake
445	792105	576 32 25-01	Filter-Air Cleaner Cartridge
447	697551	576 31 72-01	Screw (Air Guide Cover) (1/4-20x.66)
447A	691003	576 30 16-01	Screw (Air Guide Cover)
467	790697	576 32 08-01	Knob-Air Cleaner
573	790444	576 32 04-01	Plate-Back
865	792286	576 32 29-01	Cover-Air Guide (Valley)
967	792303	576 32 32-01	Filter-Pre Cleaner
968	795120	576 32 84-01	Cover-Air Cleaner
1036	--	--	Emissions Label (Available from a Briggs & Stratton Authorized Dealer)
1040	798585	576 33 65-01	Plate-Trim



Key No.	B&S Part No.	HVA Part No.	Description
23	691053	576 30 30-01	Flywheel
73	494439	576 29 58-01	Screen-Rotating
74	698425	576 31 83-01	Screw (Rotating Screen)
75	691056	576 30 31-01	Washer (Flywheel)
165	693148	576 30 83-01	Nut (Ring Gear)
188	697551	576 31 72-01	Screw (Control Bracket)
209	796224	576 33 15-01	Spring-Governor (Yellow/Black)
211	796225	576 33 16-01	Spring-Governed Idle (Orange)
216	796229	576 33 20-01	Link-Choke
222	796226	576 33 17-01	Bracket-Control
265	691024	576 30 21-01	Clamp-Casing
267	792629	576 32 34-01	Screw (Casing Clamp)
309	499521	576 29 60-01	Motor-Starter
310	691263	576 30 45-01	Screw (Starter Motor)
332	691059	576 30 32-01	Nut (Flywheel)
333	691060	510 26 65-01	Armature-Magneto
334	691061	576 30 33-01	Screw (Magneto Armature)
367	697820	576 31 75-01	Screw (Wire Clip)
474	696458	576 31 13-01	Alternator
501	797375	576 33 48-01	Regulator
510	696541	576 31 57-01	Drive-Starter
513	692024	576 30 74-01	Clutch-Drive
526	697551	576 31 72-01	Screw (Regulator)
544	--	--	Starter (For Replacement, Order Starter Motor, Reference 309)
635	66538s	576 33 82-01	Boot-Spark Plug
668	691500	576 30 53-01	Spacer (Rotating Screen)
668A	691215	576 30 41-01	Spacer (Rotating Screen)
695	693149	576 30 84-01	Screw (Ring Gear)
697	690372	576 29 76-01	Screw (Drive Cap)
726	499612	576 29 63-01	Gear-Ring
729	797454	576 33 54-01	Clip-Wire
783	695708	576 31 09-01	Gear-Pinion
789	797424	576 33 53-01	Harness-Wiring
801	691283	576 30 48-01	Cap-Drive
802	691286	576 30 49-01	Cap-End
803	--	--	Starter (For Replacement, Order Starter Motor, Reference 309)
851	493880s	576 33 81-01	Terminal-Spark Plug
1005	791236	576 32 11-01	Fan-Flywheel
1051	691265	576 30 46-01	Ring-Retaining
1054	280275	576 29 56-01	Tie-Cable
1059	698516	576 31 85-01	Kit-Screw/Washer (Alternator)
1070	791680	576 32 13-01	Screw (Flywheel Fan)
1090	691293	576 30 50-01	Retainer-Brush
1119	691183	576 30 40-01	Screw (Alternator)



Key No.	B&S Part No.	HVA Part No.	Description
3	391086s	576 33 77-01	Seal-Oil (Magneto Side)
7	693997	576 30 90-01	Gasket-Cylinder Head
9	690937	576 29 86-01	Gasket-Breather
12	697227	576 31 70-01	Gasket-Crankcase
20	795387	576 32 87-01	Seal-Oil (PTO Side)
51	795123	576 32 85-01	Gasket-Intake
51A	690950	576 29 89-01	Gasket-Intake
104	694918	576 30 97-01	Pin-Float Hinge
105	797410	576 33 51-01	Valve-Float Needle
121	792455	576 32 33-01	Kit-Carburetor Overhaul
137	690994	576 30 10-01	Gasket-Float Bowl
150	690995	576 30 11-01	Gasket-Nozzle
163	691001	576 30 14-01	Gasket-Air Cleaner
276	695410	576 31 06-01	Washer-Sealing
358	694012	576 30 92-01	Gasket Set-Engine
524	691032	576 30 24-01	Seal-Dipstick Tube
633	699813	576 31 98-01	Seal-Choke/Throttle Shaft (Choke Shaft)
672	690234	576 29 68-01	Gasket-Carburetor Plate
691	790574	576 32 06-01	Seal-Governor Shaft
868	690968	576 29 95-01	Seal-Valve
883	690970	576 29 96-01	Gasket-Exhaust
943	796222	576 33 13-01	Seal-O Ring (Oil Pump Cover)
987	691000	576 30 13-01	Seal-Throttle Shaft
1022	690971	576 29 97-01	Gasket-Rocker Cover
1024	796220	576 33 11-01	Pump-Oil
1095	694013	576 30 93-01	Gasket Set-Valve
1124	841653	576 33 69-01	Seal-O Ring (Fuel Transfer Tube)