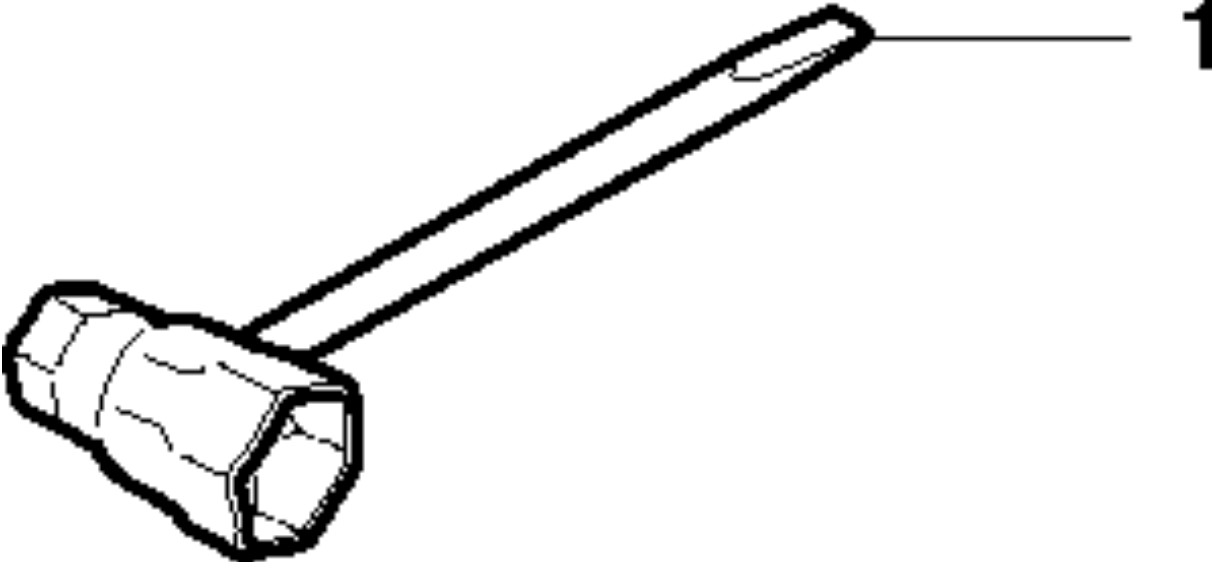




# SPARE PARTS LIST

CHAIN SAWS

435 E, 2010-06



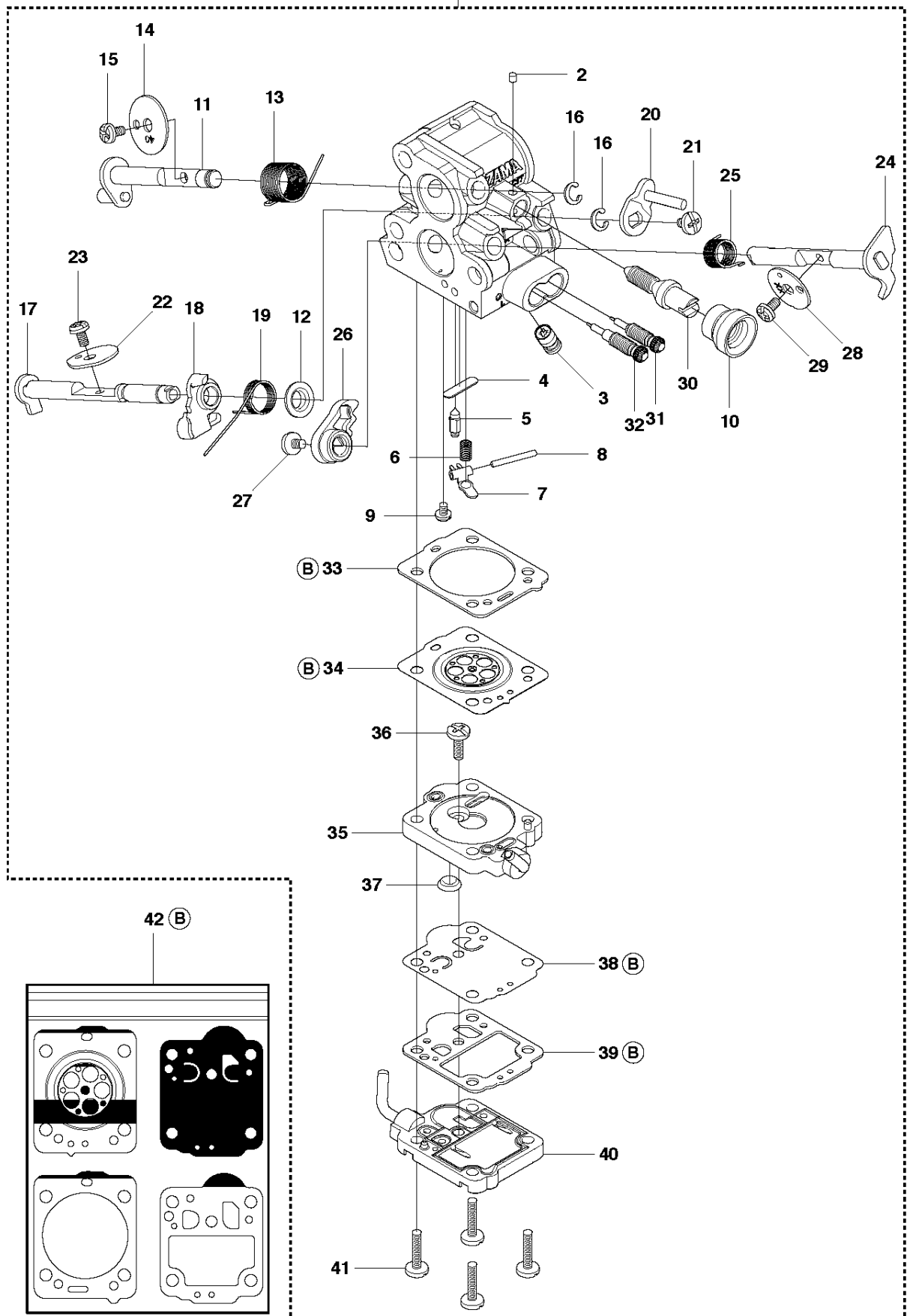
ACCESSORIES

435 E, 2010-06

| Ref | Part No      | Description | Remark | QTY KIT |
|-----|--------------|-------------|--------|---------|
| 1   | 503 55 85-04 | TOOL        |        | 1       |

435, 435e, 440e  
CARBURETOR

ZAMA C1T-EL41

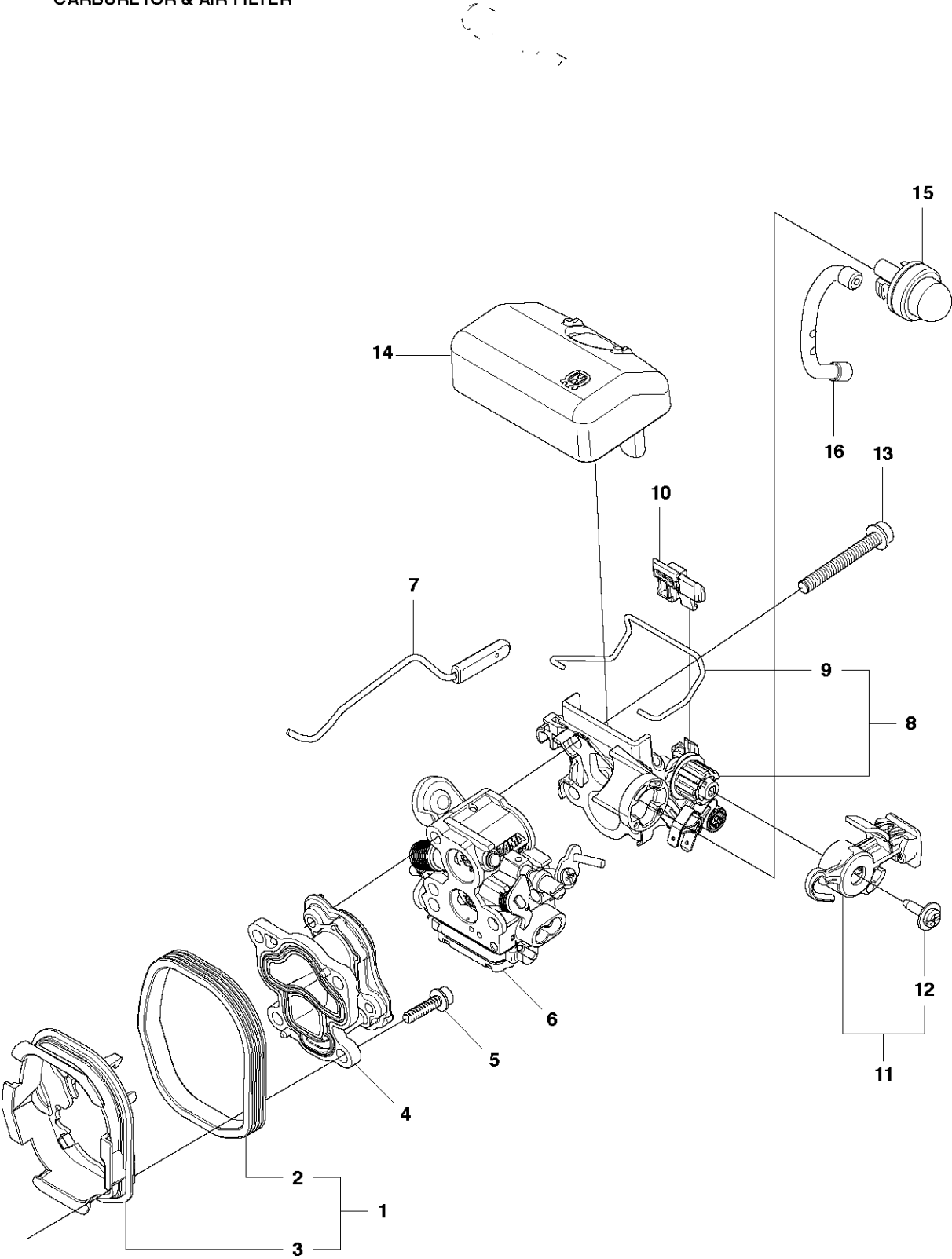


## CARBURETOR

435 E, 2010-06

| Ref | Part No      | Description         | Remark | QTY | KIT   |
|-----|--------------|---------------------|--------|-----|-------|
| 1   | 506 45 05-01 | CARBURETTOR         |        | 1   |       |
| 2   | 503 48 11-01 | PIECE               |        | 1   | 1     |
| 3   | 504 02 40-01 | NOZZLE ASSY         |        | 1   | 1     |
| 4   | 503 53 56-01 | PLUG WELCH          |        | 1   | 1     |
| 5   | 503 47 97-01 | VALVE               |        | 1   | 1     |
| 6   | 537 02 03-01 | SPRING              |        | 1   | 1     |
| 7   | 503 66 59-01 | LEVER               |        | 1   | 1     |
| 8   | 503 48 00-01 | PIN RETAINING SCREW |        | 1   | 1     |
| 9   | 504 02 41-01 | SCREW               |        | 1   | 1     |
| 10  | 505 53 52-01 | HUB CAP             |        | 1   | 1     |
| 11  | 504 02 61-01 | SHAFT ASSY          |        | 1   | 1     |
| 12  | 505 11 07-01 | COLLAR              |        | 1   | 1     |
| 13  | 504 02 85-01 | SPRING              |        | 1   | 1     |
| 14  | 504 02 75-01 | VALVE               |        | 1   | 1     |
| 15  | 503 48 18-01 | SCREW               |        | 2   | 1     |
| 16  | 504 02 67-01 | CIRCLIP             |        | 2   | 1     |
| 17  | 504 02 62-01 | SHAFT ASSY          |        | 1   | 1     |
| 18  | 540 05 37-01 | LEVER               |        | 1   | 1     |
| 19  | 504 02 83-01 | SPRING              |        | 1   | 1     |
| 20  | 504 02 63-01 | LEVER               |        | 1   | 1     |
| 21  | 503 47 90-01 | SCREW               |        | 2   | 1     |
| 22  | 504 02 74-01 | VALVE               |        | 1   | 1     |
| 23  | 503 48 18-01 | SCREW               |        | 2   | 1     |
| 24  | 504 02 60-01 | SHAFT ASSY          |        | 1   | 1     |
| 25  | 504 02 84-01 | SPRING              |        | 1   | 1     |
| 26  | 544 98 31-01 | LEVER               |        | 1   | 1     |
| 27  | 503 47 90-01 | SCREW               |        | 2   | 1     |
| 28  | 504 02 76-01 | VALVE               |        | 1   | 1     |
| 29  | 503 47 92-01 | SCREW               |        | 1   | 1     |
| 30  | 504 02 73-01 | SCREW               |        | 1   | 1     |
| 31  | 504 90 92-01 | SCREW               |        | 1   | 1     |
| 32  | 504 02 81-01 | SCREW               |        | 1   | 1     |
| 33  | 504 02 43-01 | GASKET              |        | 1   | 1, 42 |
| 34  | 504 02 45-01 | DIAPHRAGM           |        | 1   | 1, 42 |
| 35  | 504 02 46-01 | BODY                |        | 1   | 1     |
| 36  | 504 02 82-01 | SCREW               |        | 1   | 1     |
| 37  | 504 02 50-01 | STRAINER            |        | 1   | 1     |
| 38  | 504 02 56-01 | DIAPHRAGM           |        | 1   | 1, 42 |
| 39  | 504 02 57-01 | GASKET              |        | 1   | 1, 42 |
| 40  | 504 02 59-01 | COVER               |        | 1   | 1     |
| 41  | 504 02 78-01 | SCREW               |        | 4   | 1     |
| 42  | 504 02 86-01 | GASKET KIT          |        | 1   |       |

435, 435e, 440e  
CARBURETOR & AIR FILTER

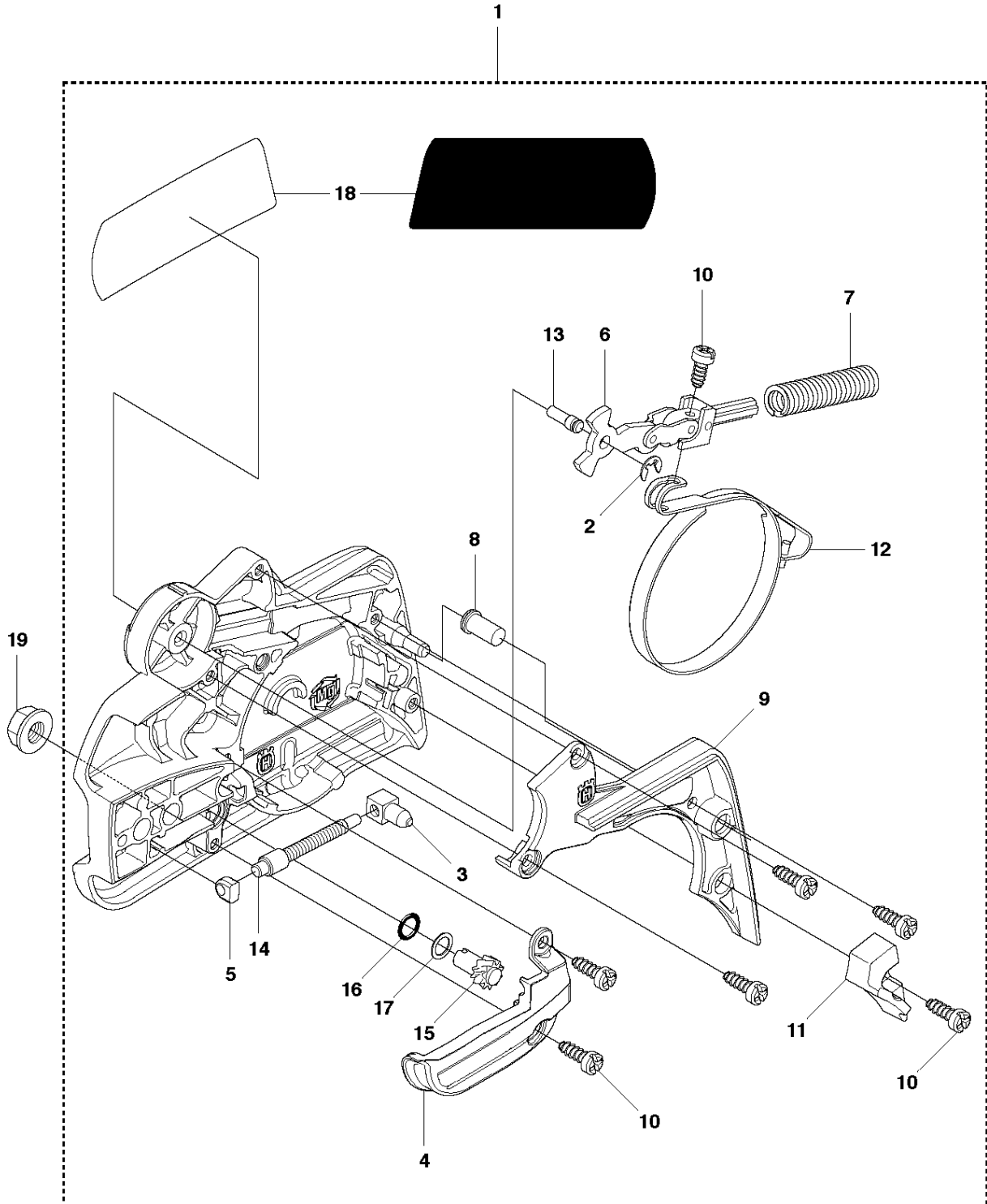


## CARBURETOR &amp; AIR FILTER

435 E, 2010-06

| Ref | Part No      | Description       | Remark    | QTY | KIT |
|-----|--------------|-------------------|-----------|-----|-----|
| 1   | 504 72 47-01 | INSULATION WALL   |           | 1   |     |
| 2   | 504 72 45-01 | INSULATION WALL   |           | 1   | 1   |
| 3   | 504 72 44-01 | INSULATION WALL   |           | 1   | 1   |
| 4   | 504 20 12-01 | INLET PIPE        |           | 1   |     |
| 5   | 503 20 02-16 | SCREW IHSCFM      |           | 4   |     |
| 6   | 506 45 05-01 | CARBURETTOR       |           | 1   |     |
| 7   | 544 28 44-01 | THROTTLE ROD ASSY |           | 1   |     |
| 8   | 544 97 64-01 | FILTER HOLDER     |           | 1   |     |
| 9   | 544 39 26-01 | SHACKLE           |           | 1   | 8   |
| 10  | 504 71 25-01 | GUIDE             |           | 1   |     |
| 11  | 544 84 43-02 | CONTROL           |           | 1   |     |
| 12  | 544 97 66-01 | SCREW             |           | 1   | 11  |
| 13  | 503 20 02-40 | SCREW IHSCFM      |           | 3   |     |
| 14  | 544 80 54-02 | AIR FILTER        | 44 MICRON | 1   |     |
| 14  | 544 80 54-03 | AIR FILTER        | FELT      | 1   |     |
| 15  | 503 93 66-01 | PRIMER HOUSING    |           | 1   |     |
| 16  | 544 40 19-01 | HOSE              |           | 1   |     |

435  
CHAIN BREAK & CLUTCH COVER

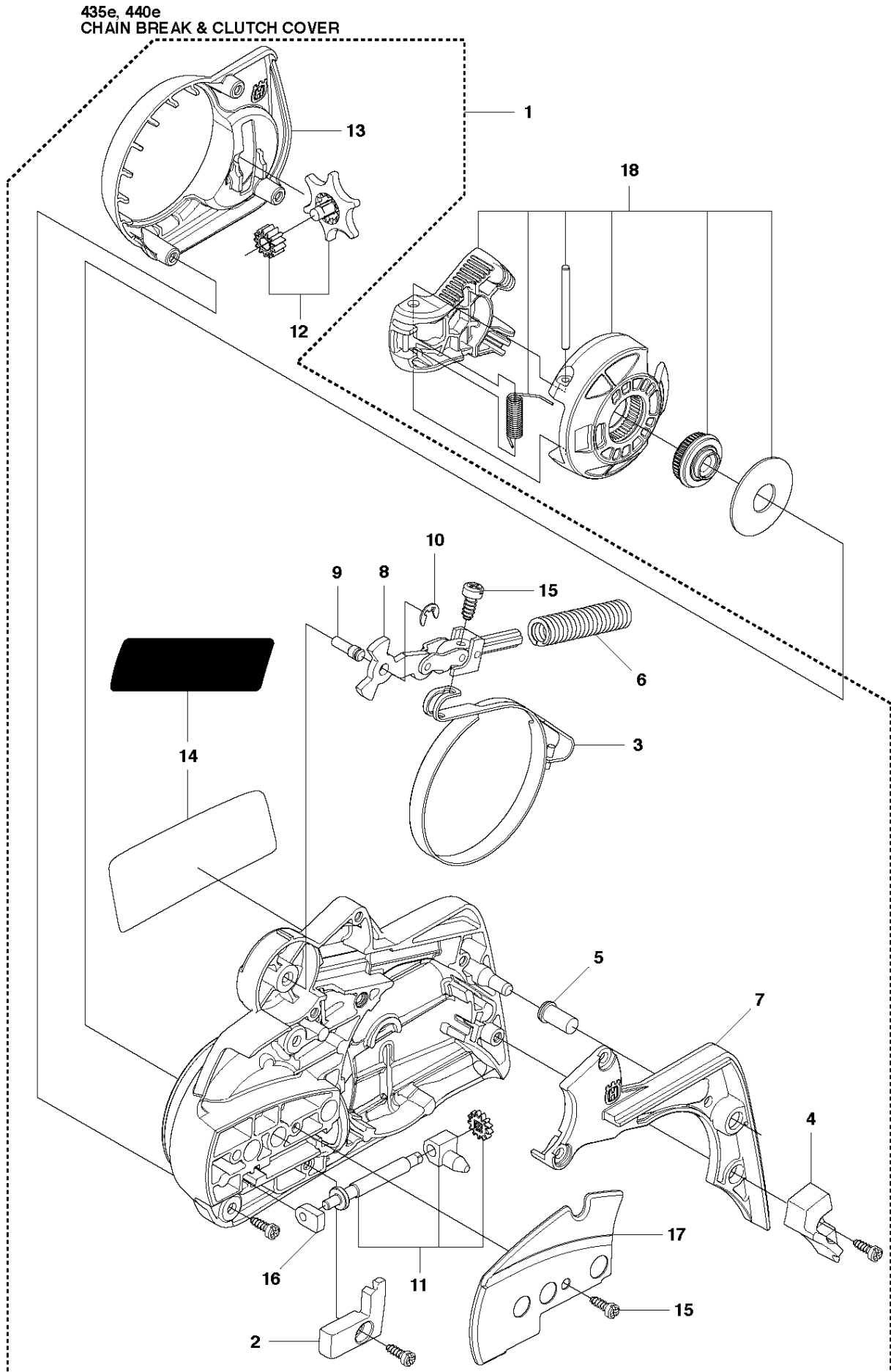




## CHAIN BRAKE &amp; CLUTCH COVER

435 E, 2010-06

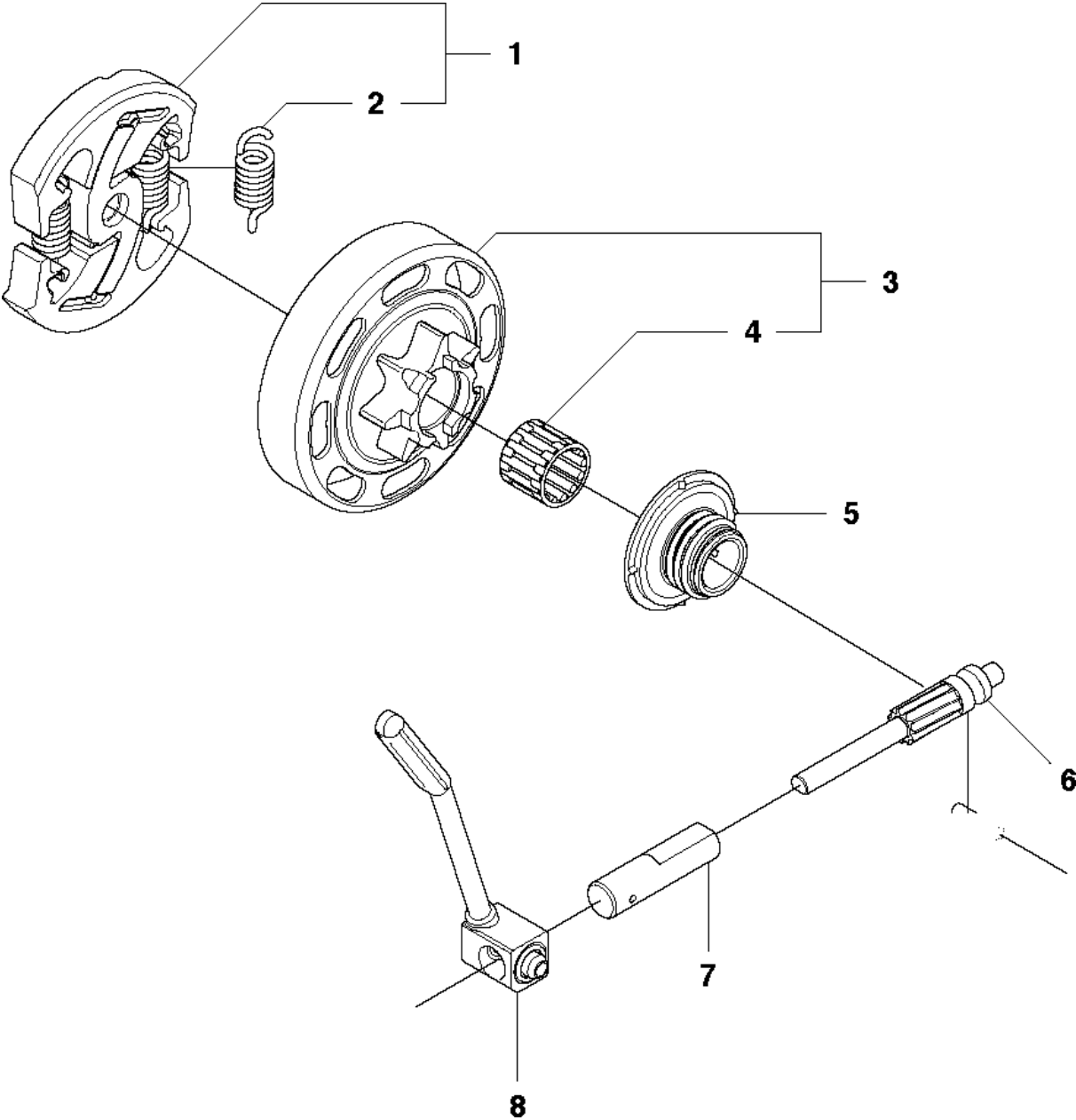
| Ref | Part No      | Description        | Remark | QTY | KIT |
|-----|--------------|--------------------|--------|-----|-----|
| 1   | 501 38 82-01 | CLUTCH COVER ASSY  |        | 1   |     |
| 2   | 735 31 08-20 | E-CLIP             |        | 1   | 1   |
| 3   | 537 28 66-01 | PAWL               |        | 1   | 1   |
| 4   | 540 06 33-01 | CHAIN GUIDE        |        | 1   | 1   |
| 5   | 537 01 74-01 | BEARING SLEEVE     |        | 1   | 1   |
| 6   | 503 89 08-02 | KNEE JOINT ASSY    |        | 1   | 1   |
| 7   | 505 89 26-01 | BRAKE SPRING       |        | 1   | 1   |
| 8   | 503 85 52-01 | GUIDE BUSHING      |        | 1   | 1   |
| 9   | 544 24 85-01 | COVER LID          |        | 1   | 1   |
| 10  | 503 21 70-10 | SCREW CCRPANT      |        | 7   | 1   |
| 11  | 544 25 31-01 | WEAR PROTECTION    |        | 1   | 1   |
| 12  | 544 30 60-01 | BRAKE BAND ASSY    |        | 1   | 1   |
| 13  | 503 89 29-01 | PIN KNEE-JOINT     |        | 1   | 1   |
| 14  | 537 39 70-01 | WORM SCREW         |        | 1   | 1   |
| 15  | 537 07 94-02 | WORM WHEEL         |        | 1   | 1   |
| 16  | 740 48 07-02 | O-RING             |        | 1   | 1   |
| 17  | 503 23 00-63 | WASHER             |        | 1   | 1   |
| 18  | 544 37 68-01 | LABEL              |        | 1   | 1   |
| 19  | 503 22 00-01 | HEXAGON NUT FLANGE |        | 1   |     |



## CHAIN BRAKE &amp; CLUTCH COVER

435 E, 2010-06

| Ref | Part No      | Description           | Remark | QTY | KIT |
|-----|--------------|-----------------------|--------|-----|-----|
| 1   | 544 19 49-05 | CLUTCH COVER ASSY     |        | 1   |     |
| 2   | 504 54 28-01 | COVER LID             |        | 1   | 1   |
| 3   | 544 30 60-01 | BRAKE BAND ASSY       |        | 1   | 1   |
| 4   | 544 25 31-01 | WEAR PROTECTION       |        | 1   | 1   |
| 5   | 503 85 52-01 | GUIDE BUSHING         |        | 1   | 1   |
| 6   | 505 89 26-01 | BRAKE SPRING          |        | 1   | 1   |
| 7   | 544 24 85-01 | COVER LID             |        | 1   | 1   |
| 8   | 503 89 08-02 | KNEE JOINT ASSY       |        | 1   | 1   |
| 9   | 503 89 29-01 | PIN KNEE-JOINT        |        | 1   | 1   |
| 10  | 735 31 08-20 | E-CLIP                |        | 1   | 1   |
| 11  | 537 39 29-01 | CHAIN TENSION SCREW   |        | 1   | 1   |
| 12  | 537 34 72-01 | CHAIN TENSIONER WHEEL |        | 1   | 1   |
| 13  | 537 39 26-01 | HEAT PROTECTOR        |        | 1   | 1   |
| 14  | 544 35 75-01 | LABEL                 |        | 1   | 1   |
| 15  | 503 21 70-10 | SCREW CCRPANT         |        | 10  | 1   |
| 16  | 525 35 43-01 | BEARING SLEEVE        |        | 1   | 1   |
| 17  | 505 32 10-01 | WEAR PLATE            |        | 1   | 1   |
| 18  | 537 34 78-01 | KNOB                  |        | 1   |     |

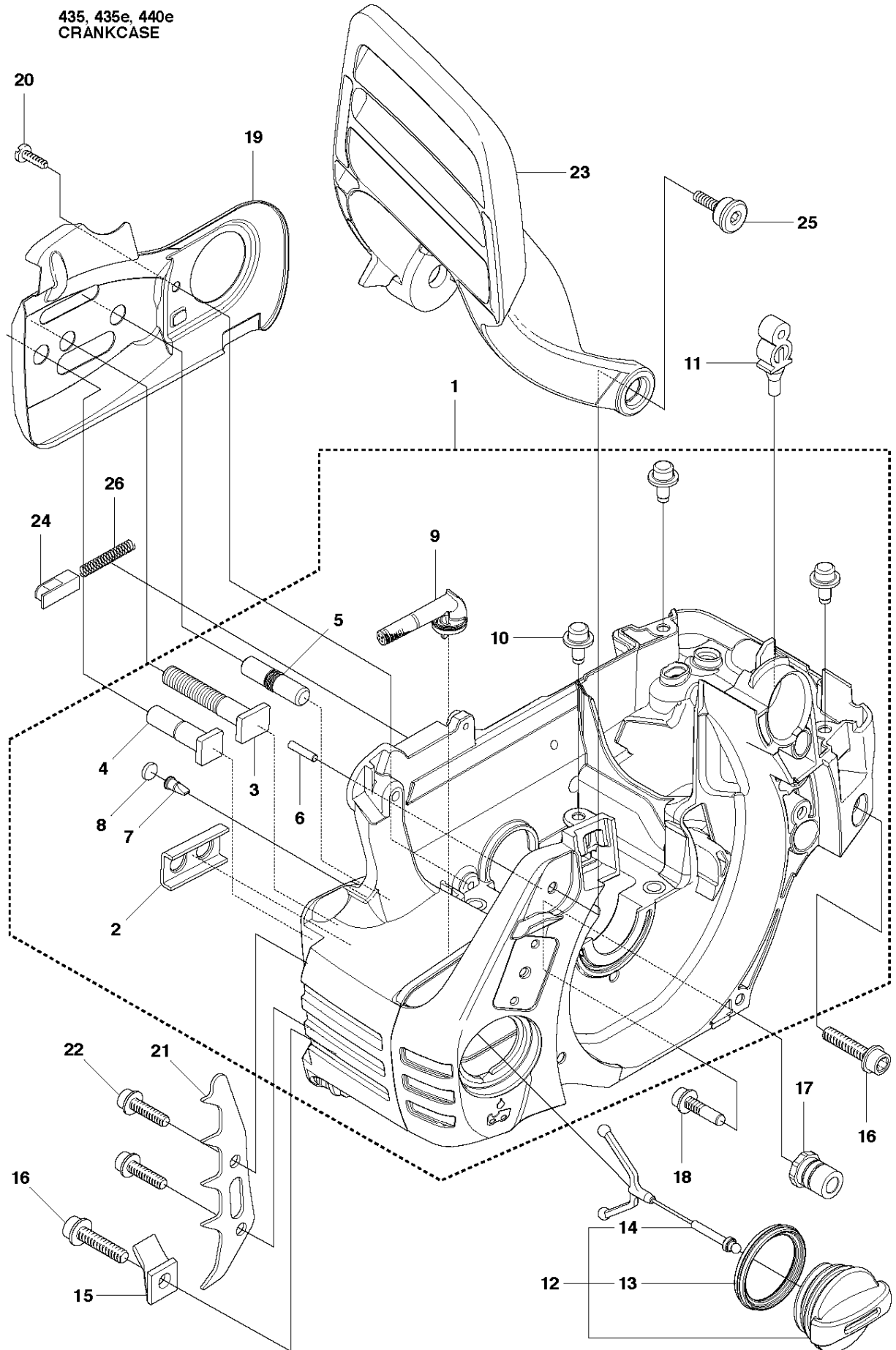


## CLUTCH &amp; OIL PUMP

435 E, 2010-06

| Ref | Part No      | Description    | Remark | QTY | KIT |
|-----|--------------|----------------|--------|-----|-----|
| 1   | 544 87 12-01 | CLUTCH ASSY    |        | 1   |     |
| 2   | 502 08 03-01 | CLUTCH SPRING  |        | 2   | 1   |
| 3   | 505 44 15-01 | CLUTCH DRUM    |        | 1   |     |
| 4   | 503 53 92-01 | NEEDLE BEARING |        | 1   | 3   |
| 5   | 544 21 24-01 | WORM GEAR      |        | 1   |     |
| 6   | 540 05 79-01 | PUMP PISTON    |        | 1   |     |
| 7   | 537 15 48-01 | PUMP CYLINDER  |        | 1   |     |
| 8   | 544 08 42-01 | OIL HOSE       |        | 1   |     |

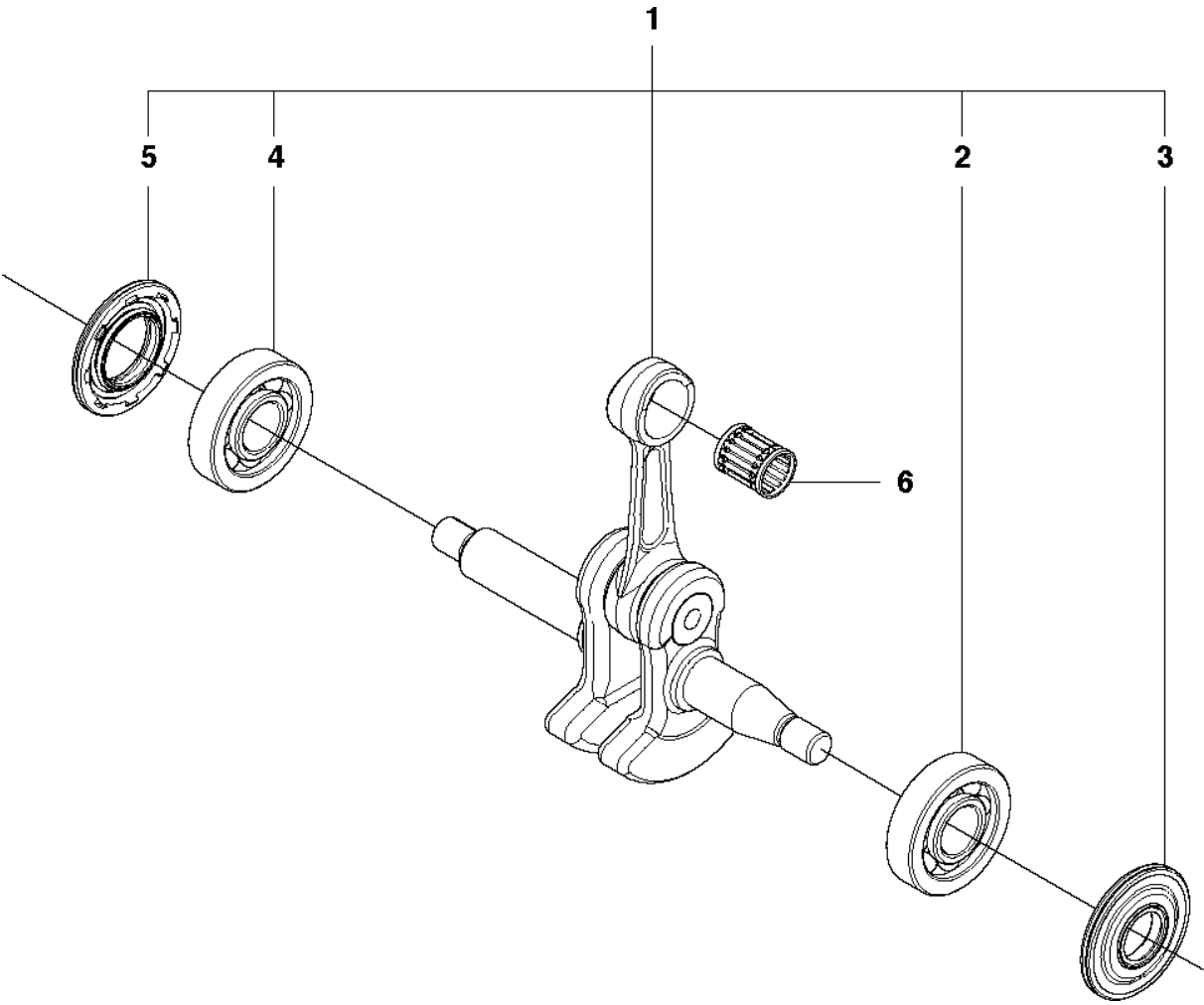
435, 435e, 440e  
CRANKCASE



## CRANKCASE

435 E, 2010-06

| Ref | Part No      | Description          | Remark | QTY | KIT |
|-----|--------------|----------------------|--------|-----|-----|
| 1   | 544 93 25-01 | CRANKCASE ASSY       |        | 1   |     |
| 2   | 503 87 58-02 | STIFFENING PLATE     |        | 1   | 1   |
| 3   | 503 87 54-02 | BAR BOLT             |        | 1   | 1   |
| 4   | 537 33 46-01 | BAR BOLT             |        | 1   | 1   |
| 5   | 544 03 64-01 | BAR BOLT             |        | 1   | 1   |
| 6   | 503 24 09-05 | NEEDLE ROLLER        |        | 1   | 1   |
| 7   | 530 02 61-19 | CHECK VALVE          |        | 1   | 1   |
| 8   | 537 40 35-01 | FILTER               |        | 1   | 1   |
| 9   | 544 08 33-01 | OIL SCREEN           |        | 1   | 1   |
| 10  | 544 33 16-01 | GUIDE PIN            |        | 3   | 1   |
| 11  | 503 86 93-01 | CARBURETTOR MOUNTING |        | 1   |     |
| 12  | 544 11 12-01 | TANK CAP ASSY        |        | 1   |     |
| 13  | 537 21 50-01 | SEALING              |        | 1   | 12  |
| 14  | 503 57 89-01 | HOLDER               |        | 1   | 12  |
| 15  | 503 88 63-01 | CHAIN CATCHER PIN    |        | 1   |     |
| 16  | 503 21 88-76 | SCREW IHSCFT         |        | 2   |     |
| 17  | 501 00 76-01 | LATERAL SUPPORT      |        | 1   |     |
| 18  | 503 21 51-03 | SCREW IHSCFT         |        | 1   |     |
| 19  | 544 28 46-01 | CHAIN GUIDE PLATE    |        | 1   |     |
| 20  | 503 21 70-10 | SCREW CCRPANT        |        | 1   |     |
| 21  | 544 28 65-01 | INDRE BARKSTØD       |        | 1   |     |
| 22  | 503 21 75-20 | SCREW IHSCFT         |        | 2   |     |
| 23  | 544 25 15-01 | HAND GUARD           |        | 1   |     |
| 24  | 503 89 24-01 | LOCK                 |        | 1   |     |
| 25  | 503 89 30-01 | SCREW                |        | 2   |     |
| 26  | 503 43 65-01 | POSITION SPRING      |        | 1   |     |



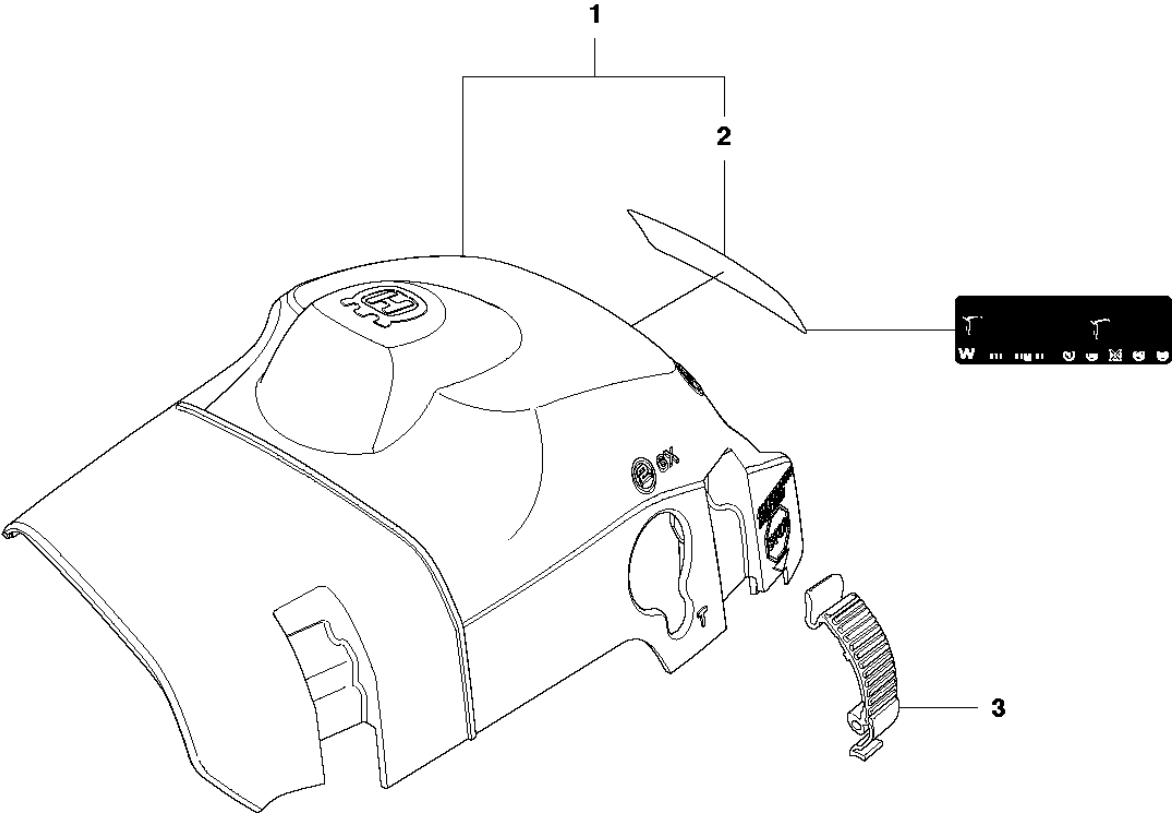


CRANKSHAFT

435 E, 2010-06

| Ref | Part No      | Description    | Remark | QTY | KIT |
|-----|--------------|----------------|--------|-----|-----|
| 1   | 544 34 38-01 | CRANKSHAFT     |        | 1   |     |
| 2   | 544 24 87-02 | BALL BEARING   |        | 1   | 1   |
| 3   | 544 25 12-01 | SEALING        |        | 1   | 1   |
| 4   | 544 24 88-02 | BALL BEARING   |        | 1   | 1   |
| 5   | 544 25 13-01 | SEALING        |        | 1   | 1   |
| 6   | 503 41 41-01 | NEEDLE BEARING |        | 1   |     |

435, 435e, 440e  
CYLINDER COVER

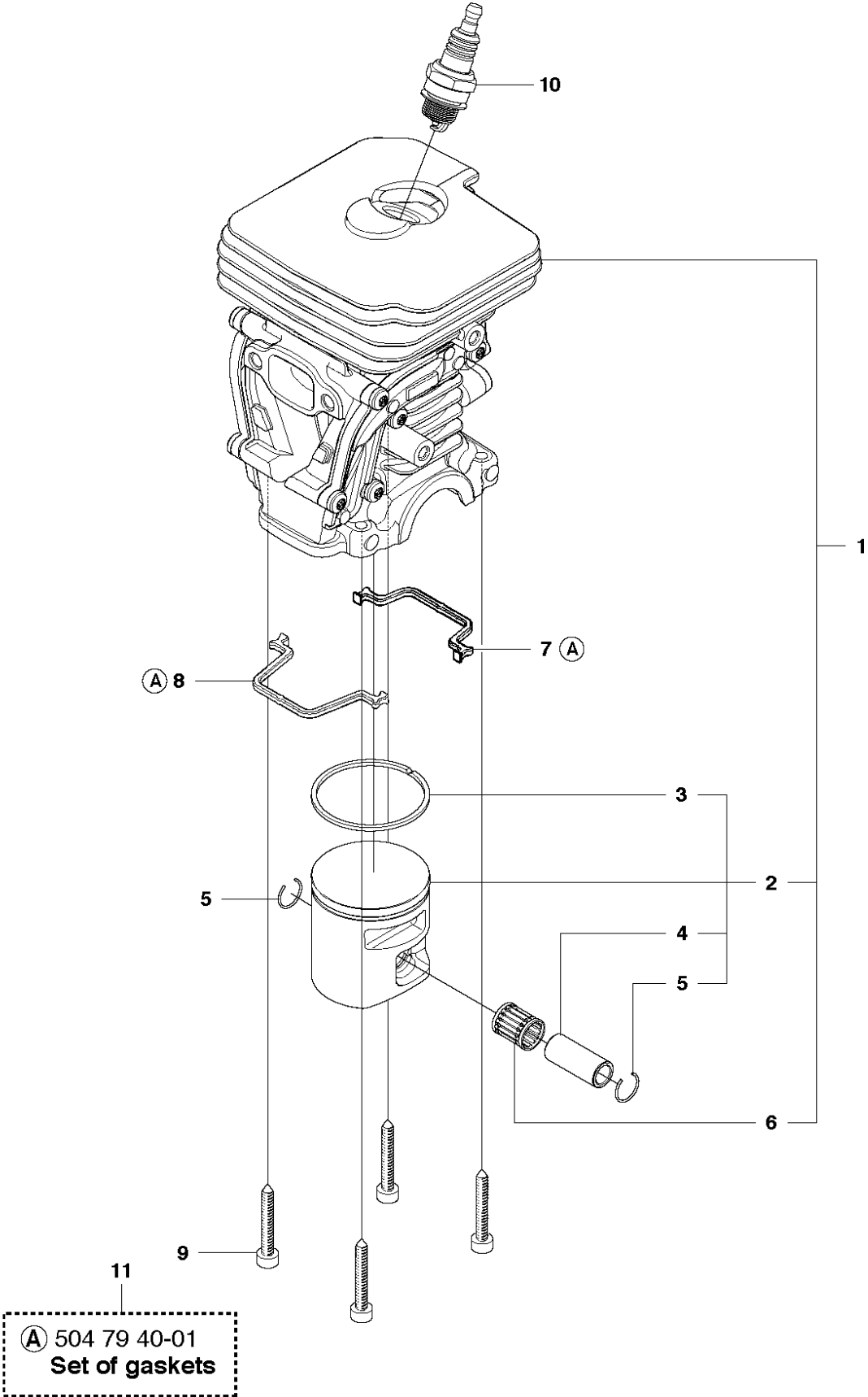


CYLINDER COVER

435 E, 2010-06

| Ref | Part No      | Description         | Remark | QTY | KIT |
|-----|--------------|---------------------|--------|-----|-----|
| 1   | 504 79 02-01 | CYLINDER COVER ASSY |        | 1   |     |
| 2   | 522 73 60-01 | LABEL               |        | 1   | 1   |
| 3   | 503 89 47-01 | SNAP                |        | 3   |     |

440e  
CYLINDER PISTON

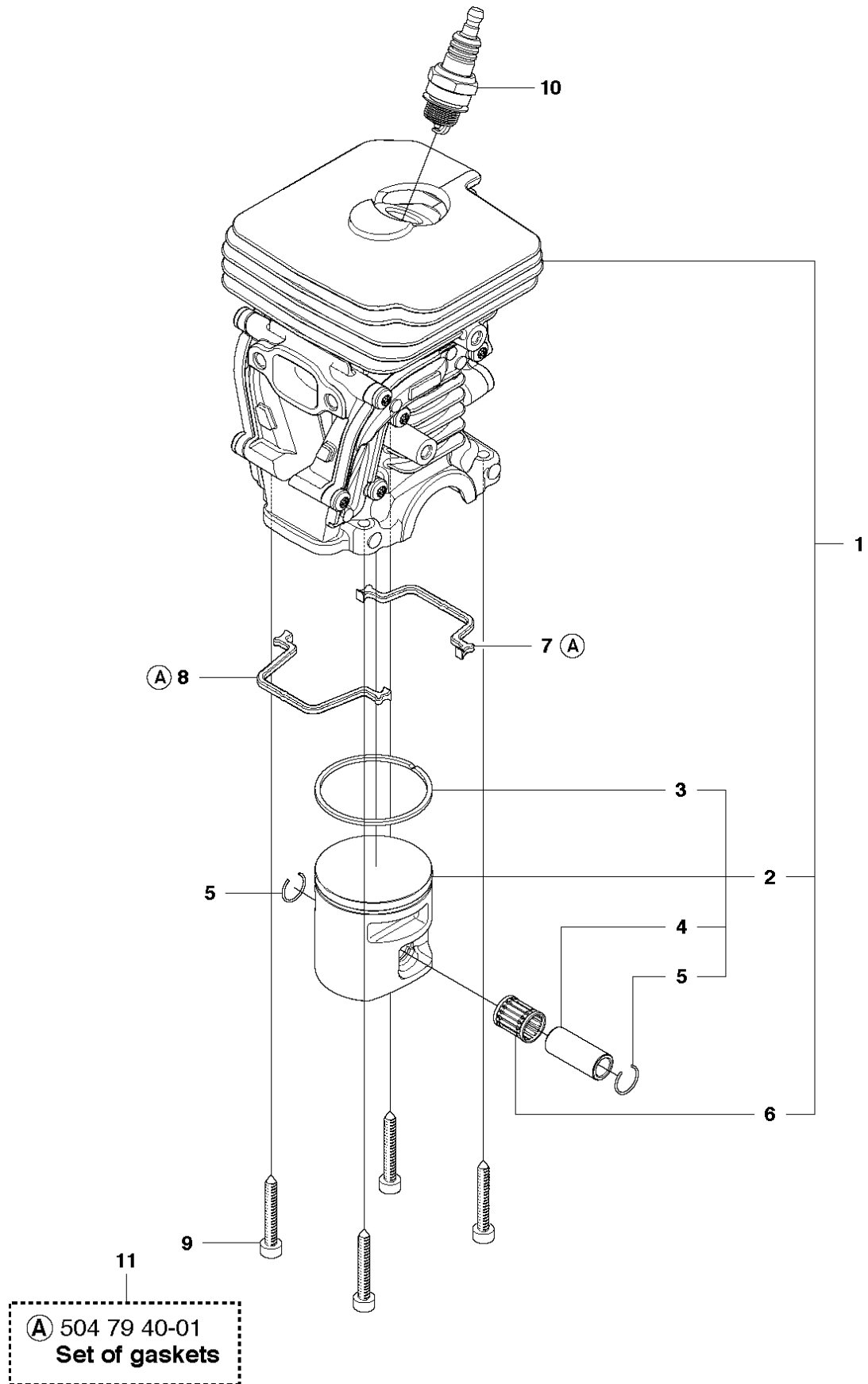


## CYLINDER PISTON

435 E, 2010-06

| Ref | Part No      | Description    | Remark | QTY | KIT |
|-----|--------------|----------------|--------|-----|-----|
| 1   | 504 73 51-01 | CYLINDER       |        | 1   |     |
| 2   | 502 62 50-02 | PISTON ASSY    |        | 1   | 1   |
| 3   | 544 40 59-01 | PISTON RING    |        | 1   | 2   |
| 4   | 544 40 60-01 | PISTON PIN     |        | 1   | 2   |
| 5   | 737 44 10-00 | SNAP RING      |        | 2   | 2   |
| 6   | 503 41 41-01 | NEEDLE BEARING |        | 1   | 1   |
| 7   | 544 39 60-01 | GASKET         |        | 1   | 11  |
| 8   | 544 39 59-01 | GASKET         |        | 1   | 11  |
| 9   | 725 53 33-55 | SCREW IHSCM    |        | 4   |     |
| 10  | 503 23 51-11 | SPARK PLUG     |        | 1   |     |
| 11  | 504 79 40-01 | GASKET         |        | 1   |     |

435, 435e  
CYLINDER PISTON

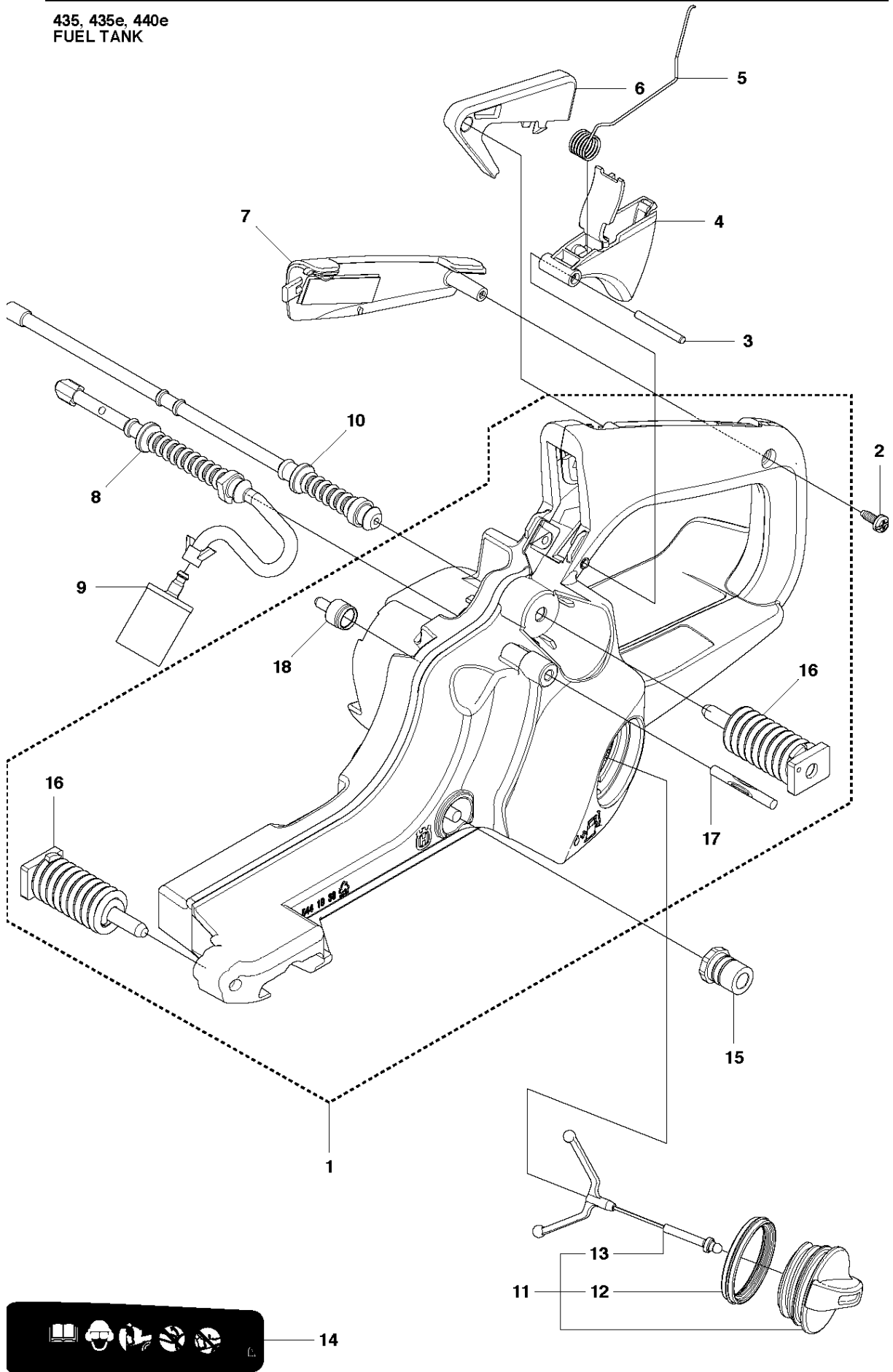


## CYLINDER PISTON

435 E, 2010-06

| Ref | Part No      | Description    | Remark | QTY | KIT |
|-----|--------------|----------------|--------|-----|-----|
| 1   | 504 73 51-02 | CYLINDER       |        | 1   |     |
| 2   | 502 62 50-02 | PISTON ASSY    |        | 1   | 1   |
| 3   | 544 40 59-01 | PISTON RING    |        | 1   | 2   |
| 4   | 544 40 60-01 | PISTON PIN     |        | 1   | 2   |
| 5   | 737 44 10-00 | SNAP RING      |        | 2   | 2   |
| 6   | 503 41 41-01 | NEEDLE BEARING |        | 1   | 1   |
| 7   | 544 39 60-01 | GASKET         |        | 1   | 11  |
| 8   | 544 39 59-01 | GASKET         |        | 1   | 11  |
| 9   | 725 53 33-55 | SCREW IHSCM    |        | 4   |     |
| 10  | 503 23 51-11 | SPARK PLUG     |        | 1   |     |
| 11  | 504 79 40-01 | GASKET         |        | 1   |     |

435, 435e, 440e  
FUEL TANK

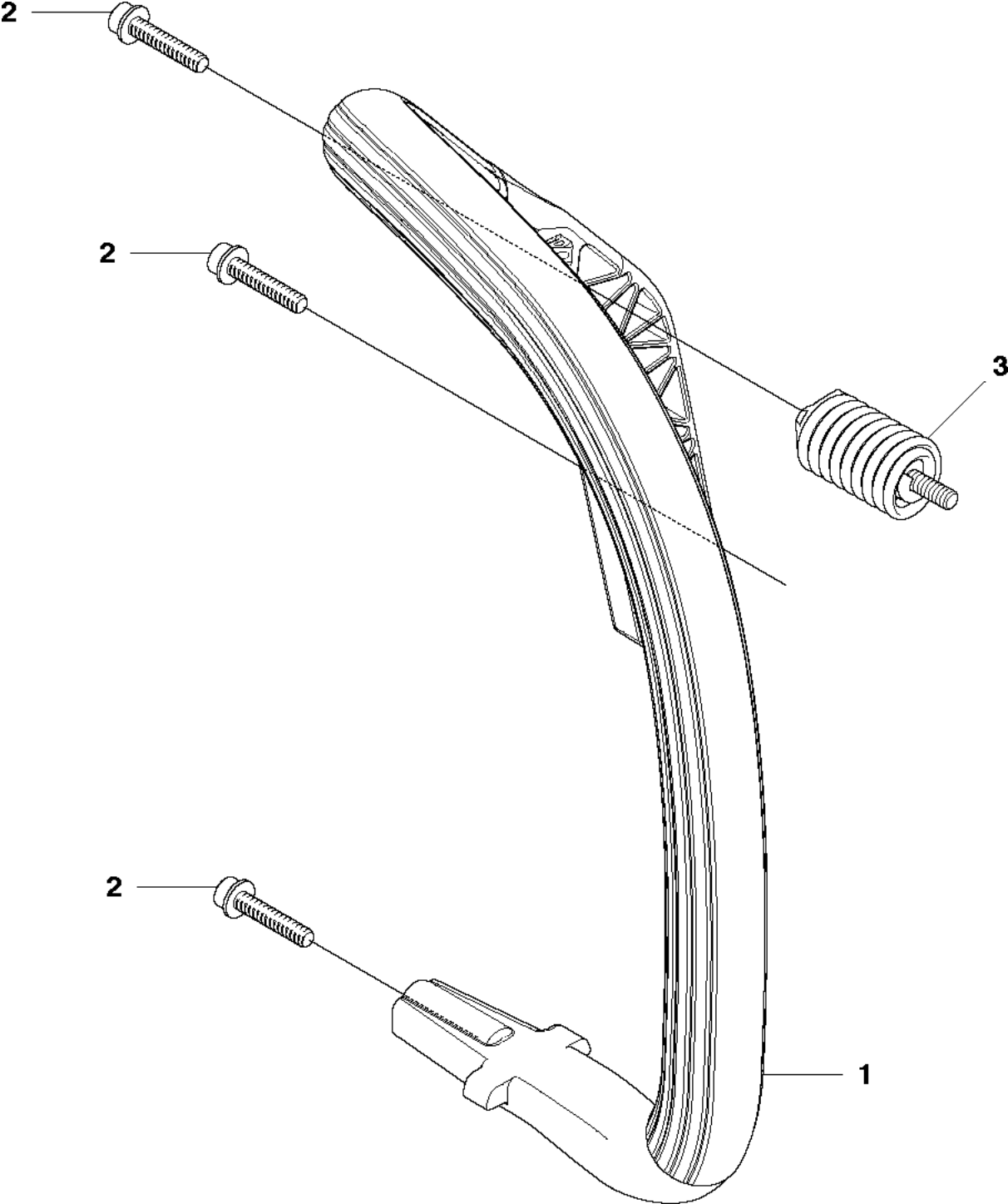




## FUEL TANK

435 E, 2010-06

| Ref | Part No      | Description           | Remark | QTY | KIT |
|-----|--------------|-----------------------|--------|-----|-----|
| 1   | 544 19 38-05 | FUEL TANK             |        | 1   |     |
| 2   | 503 21 28-10 | SCREW CCRPANT         |        | 1   |     |
| 3   | 720 18 25-20 | PARALLEL PIN          |        | 1   |     |
| 4   | 544 96 85-01 | THROTTLE CONTROL      |        | 1   |     |
| 5   | 544 09 99-01 | SPRING                |        | 1   |     |
| 6   | 544 28 41-01 | THROTTLE LOCKOUT      |        | 1   |     |
| 7   | 544 28 49-01 | HANDLE INSERT         |        | 1   |     |
| 8   | 544 12 86-01 | FUEL HOSE             |        | 1   |     |
| 9   | 503 44 32-01 | FILTER                |        | 1   |     |
| 10  | 544 12 97-01 | RETURN HOSE           |        | 1   |     |
| 11  | 544 11 12-01 | TANK CAP ASSY         |        | 1   |     |
| 12  | 537 21 50-01 | SEALING               |        | 1   | 11  |
| 13  | 503 57 89-01 | HOLDER                |        | 1   | 11  |
| 14  | 544 37 50-01 | LABEL                 |        | 1   |     |
| 15  | 501 00 76-01 | LATERAL SUPPORT       |        | 1   |     |
| 16  | 504 79 56-01 | ANTIVIBRATION ELEMENT |        | 2   | 1   |
| 17  | 721 12 63-39 | GROOVED PIN           |        | 1   | 1   |
| 18  | 537 35 95-01 | TANK VENT ASSY        |        | 1   | 1   |

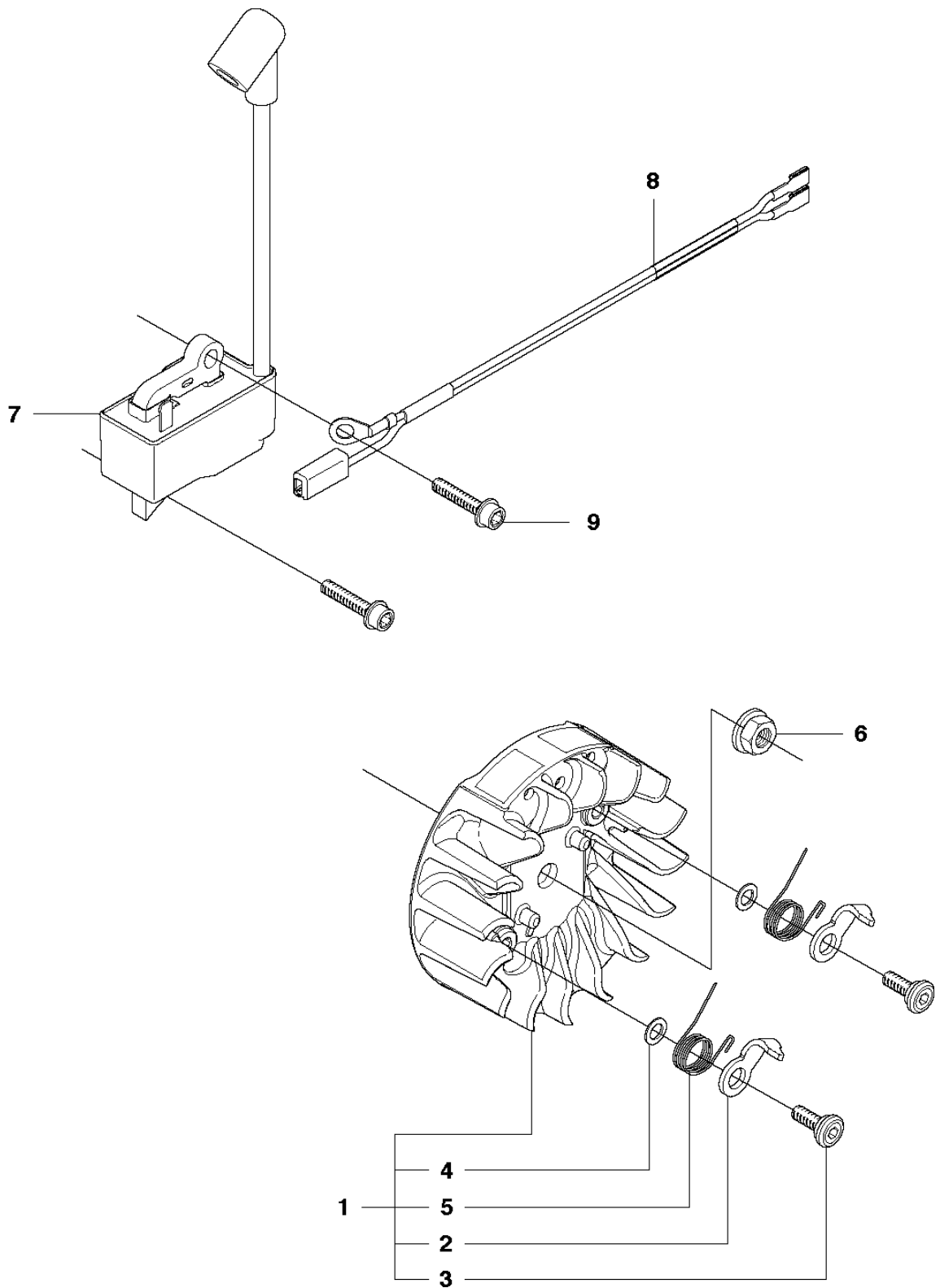


## HANDLE

435 E, 2010-06

| Ref | Part No      | Description           | Remark | QTY KIT |
|-----|--------------|-----------------------|--------|---------|
| 1   | 544 28 40-01 | FRONT HANDLE          |        | 1       |
| 2   | 503 21 88-76 | SCREW IHSCFT          |        | 3       |
| 3   | 503 89 83-01 | ANTIVIBRATION ELEMENT |        | 1       |

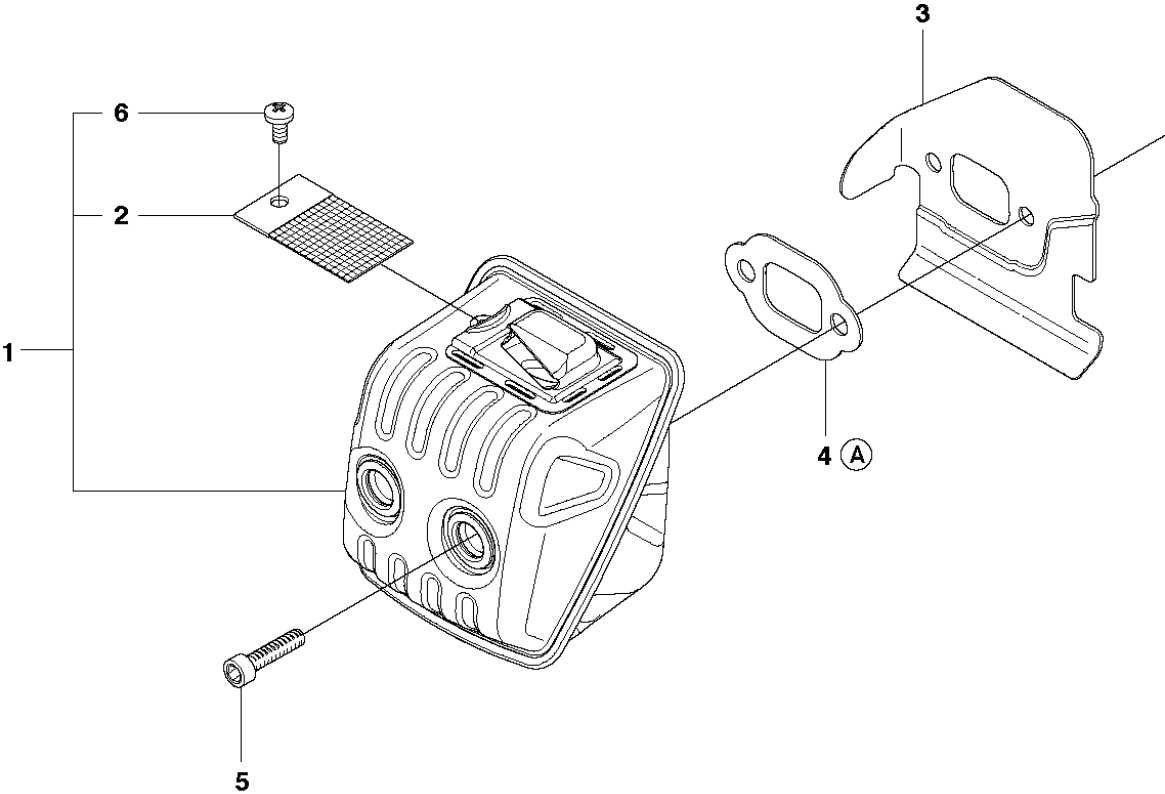
435, 435e, 440e  
IGNITION SYSTEM



## IGNITION SYSTEM

435 E, 2010-06

| Ref | Part No      | Description     | Remark | QTY | KIT |
|-----|--------------|-----------------|--------|-----|-----|
| 1   | 544 87 42-02 | FLYWHEEL ASSY   |        | 1   |     |
| 2   | 537 24 56-01 | STARTER PAWL    |        | 2   | 1   |
| 3   | 501 81 99-03 | SCREW           |        | 2   | 1   |
| 4   | 503 23 00-42 | WASHER          |        | 2   | 1   |
| 5   | 529 27 11-01 | SPRING          |        | 2   | 1   |
| 6   | 503 22 04-01 | NUT             |        | 1   |     |
| 7   | 573 93 57-01 | IGNITION MODULE |        | 1   |     |
| 8   | 510 10 14-01 | WIRING ASSY     |        | 1   |     |
| 9   | 503 20 02-20 | SCREW IHSCFM    |        | 2   |     |



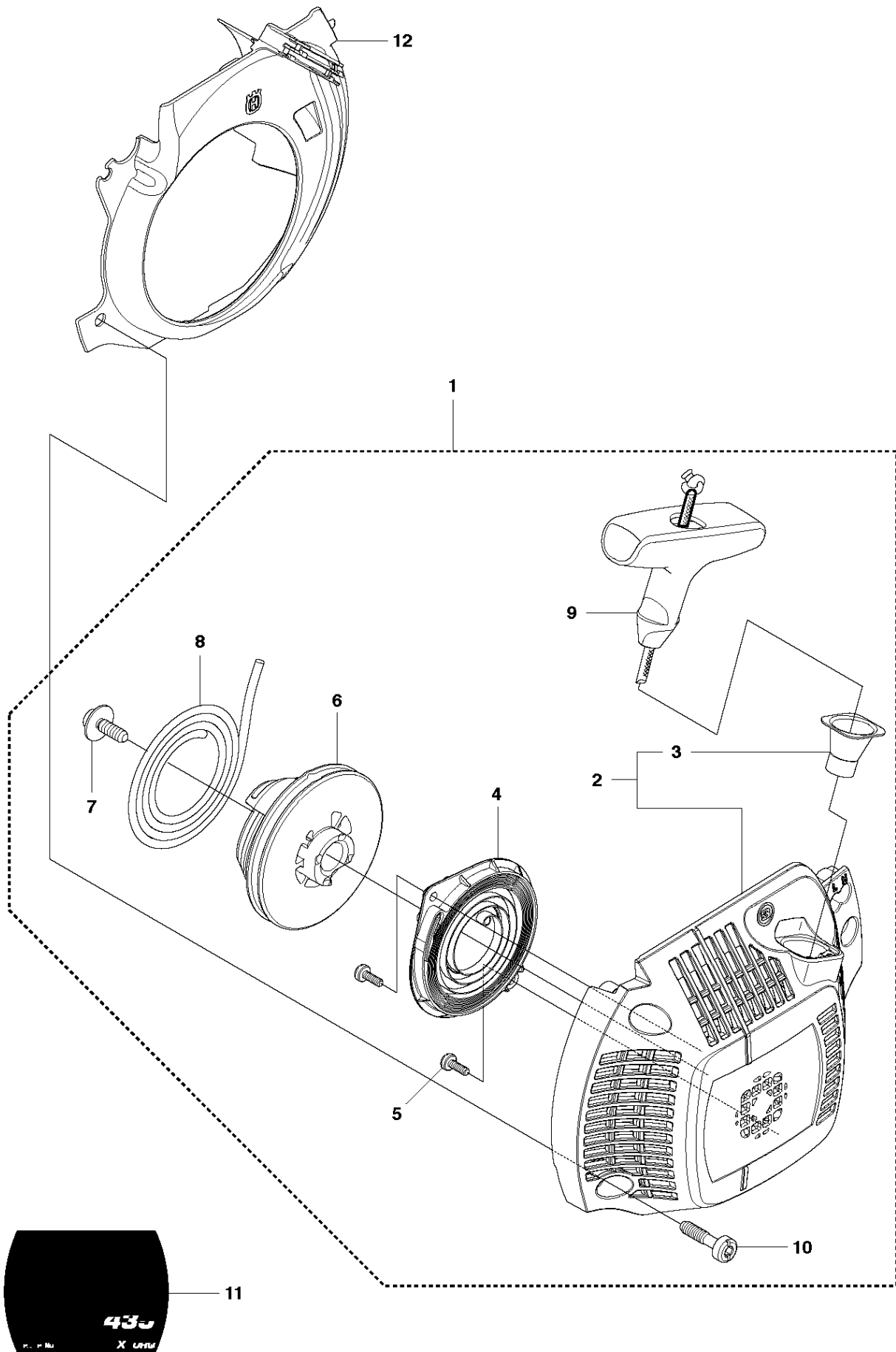
7  
Ⓐ 504 79 40-01  
Set of gaskets

## MUFFLER

435 E, 2010-06

| Ref | Part No      | Description           | Remark | QTY | KIT |
|-----|--------------|-----------------------|--------|-----|-----|
| 1   | 544 14 77-02 | MUFFLER ASSY          |        | 1   |     |
| 2   | 503 86 36-01 | SPARK ARRESTOR SCREEN |        | 1   | 1   |
| 3   | 501 32 31-01 | HEAT DEFLECTOR        |        | 1   |     |
| 4   | 544 08 44-01 | GASKET                |        | 1   | 7   |
| 5   | 725 53 68-55 | SCREW IHSCM           |        | 2   |     |
| 6   | 724 12 87-59 | SCREW CRPANM          |        | 1   | 1   |
| 7   | 504 79 40-01 | GASKET                |        | 1   |     |

435  
STARTER



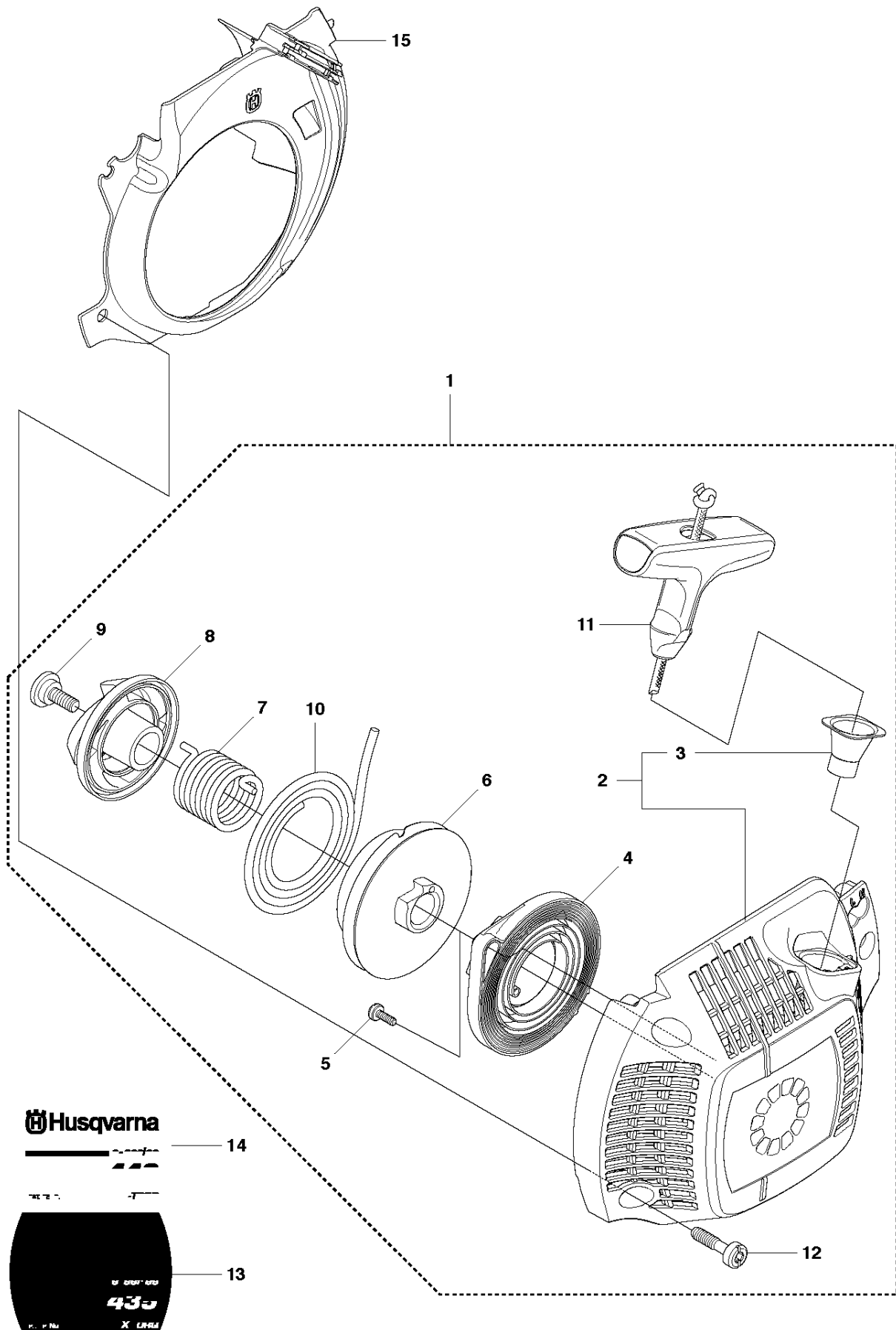


## STARTER

435 E, 2010-06

| Ref | Part No      | Description           | Remark | QTY | KIT  |
|-----|--------------|-----------------------|--------|-----|------|
| 1   | 504 59 70-02 | STARTER ASSY          |        | 1   |      |
| 2   | 504 59 69-01 | STARTER               |        | 1   | 1    |
| 3   | 537 28 32-01 | REINFORCEMENT SLEEVE  |        | 1   | 1, 2 |
| 4   | 540 05 75-02 | SPRING CASSETTE ASSY  |        | 1   | 1    |
| 5   | 503 21 28-10 | SCREW CCRPANT         |        | 2   | 1    |
| 6   | 504 59 71-01 | STARTER PULLEY        |        | 1   | 1    |
| 7   | 503 21 77-16 | SCREW IHSCT           |        | 1   | 1    |
| 8   | 505 30 51-25 | STARTER CORD          |        | 1   | 1    |
| 9   | 537 23 25-01 | STARTER HANDLE        |        | 1   | 1    |
| 10  | 503 21 73-21 | SCREW CIHSCTO         |        | 4   | 1    |
| 11  | 504 54 68-01 | LABEL                 |        | 1   |      |
| 12  | 544 19 71-01 | COOLING AIR CONDUCTOR |        | 1   |      |

435e, 440e  
STARTER

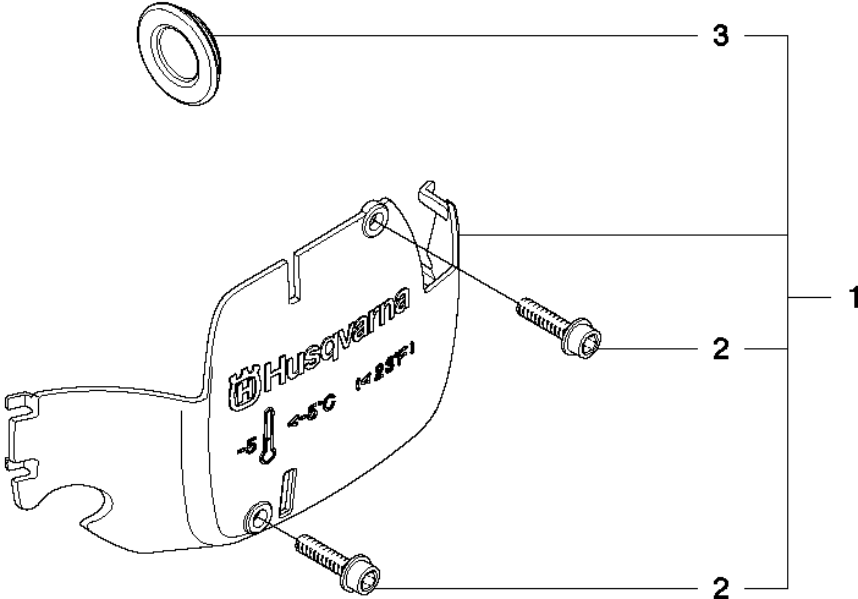


## STARTER

435 E, 2010-06

| Ref | Part No      | Description           | Remark | QTY | KIT |
|-----|--------------|-----------------------|--------|-----|-----|
| 1   | 544 28 70-02 | STARTER ASSY          |        | 1   |     |
| 2   | 544 28 69-01 | STARTER HOUSING       |        | 1   | 1   |
| 3   | 537 28 32-01 | REINFORCEMENT SLEEVE  |        | 1   | 1   |
| 4   | 540 05 75-02 | SPRING CASSETTE ASSY  |        | 1   | 1   |
| 5   | 503 21 28-10 | SCREW CCRPANT         |        | 2   | 1   |
| 6   | 537 42 32-01 | STARTER PULLEY        |        | 1   | 1   |
| 7   | 505 64 73-01 | SPRING                |        | 1   | 1   |
| 8   | 537 42 33-01 | DRIVER                |        | 1   | 1   |
| 9   | 537 42 66-01 | SCREW                 |        | 1   | 1   |
| 10  | 505 30 51-25 | STARTER CORD          |        | 1   | 1   |
| 11  | 537 23 25-01 | STARTER HANDLE        |        | 1   | 1   |
| 12  | 503 21 73-21 | SCREW CIHSCTO         |        | 4   | 1   |
| 13  | 544 46 36-02 | LABEL                 |        | 1   |     |
| 14  | 544 46 36-01 | LABEL                 |        | 1   |     |
| 15  | 544 19 71-01 | COOLING AIR CONDUCTOR |        | 1   |     |

435  
WINTER KIT

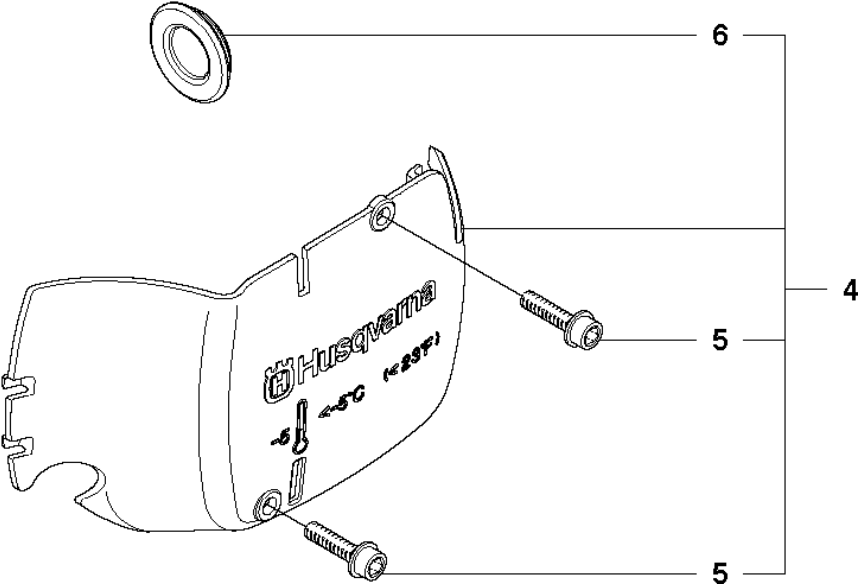


WINTER KIT

435 E, 2010-06

| Ref | Part No      | Description   | Remark | QTY KIT |   |
|-----|--------------|---------------|--------|---------|---|
| 1   | 505 45 04-01 | WINTER KIT    |        | 1       |   |
| 2   | 503 21 70-16 | SCREW CCRPANT |        | 2       | 1 |
| 3   | 503 40 59-01 | WINTER PLUG   |        | 1       | 1 |

435e, 440e  
WINTER KIT



WINTER KIT

435 E, 2010-06

| Ref | Part No      | Description   | Remark | QTY KIT |
|-----|--------------|---------------|--------|---------|
| 4   | 505 45 04-02 | WINTER KIT    |        | 1       |
| 5   | 503 21 70-16 | SCREW CCRPANT |        | 2 2     |
| 6   | 503 40 59-01 | WINTER PLUG   |        | 1 2     |