



# 253RB

**Spare parts**

**Ersatzteile**

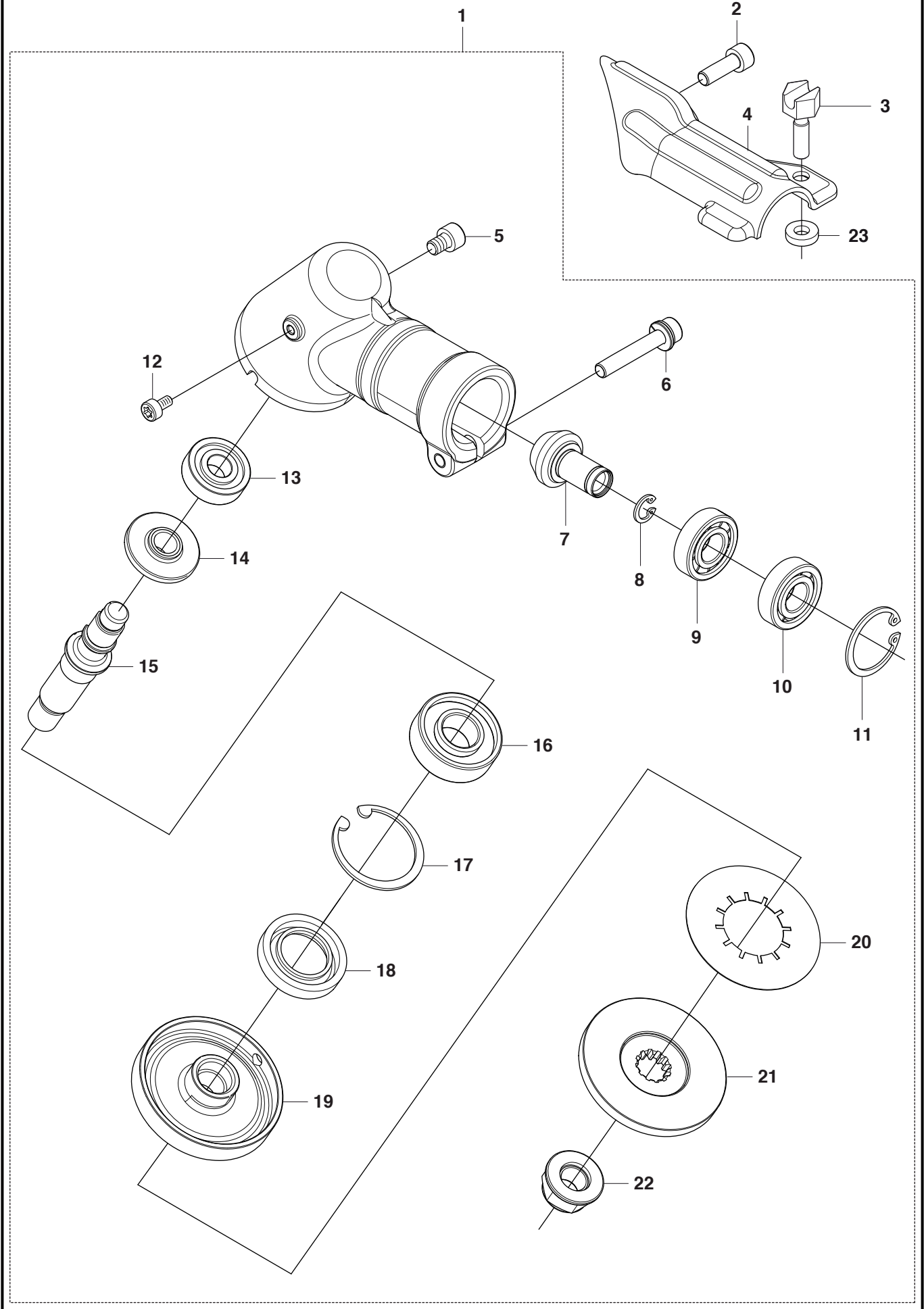
**Pièces détachées**

**Reserve onderdelen**

**Repuestos**

**Reservdelar**

**A** 553RBX  
GEAR

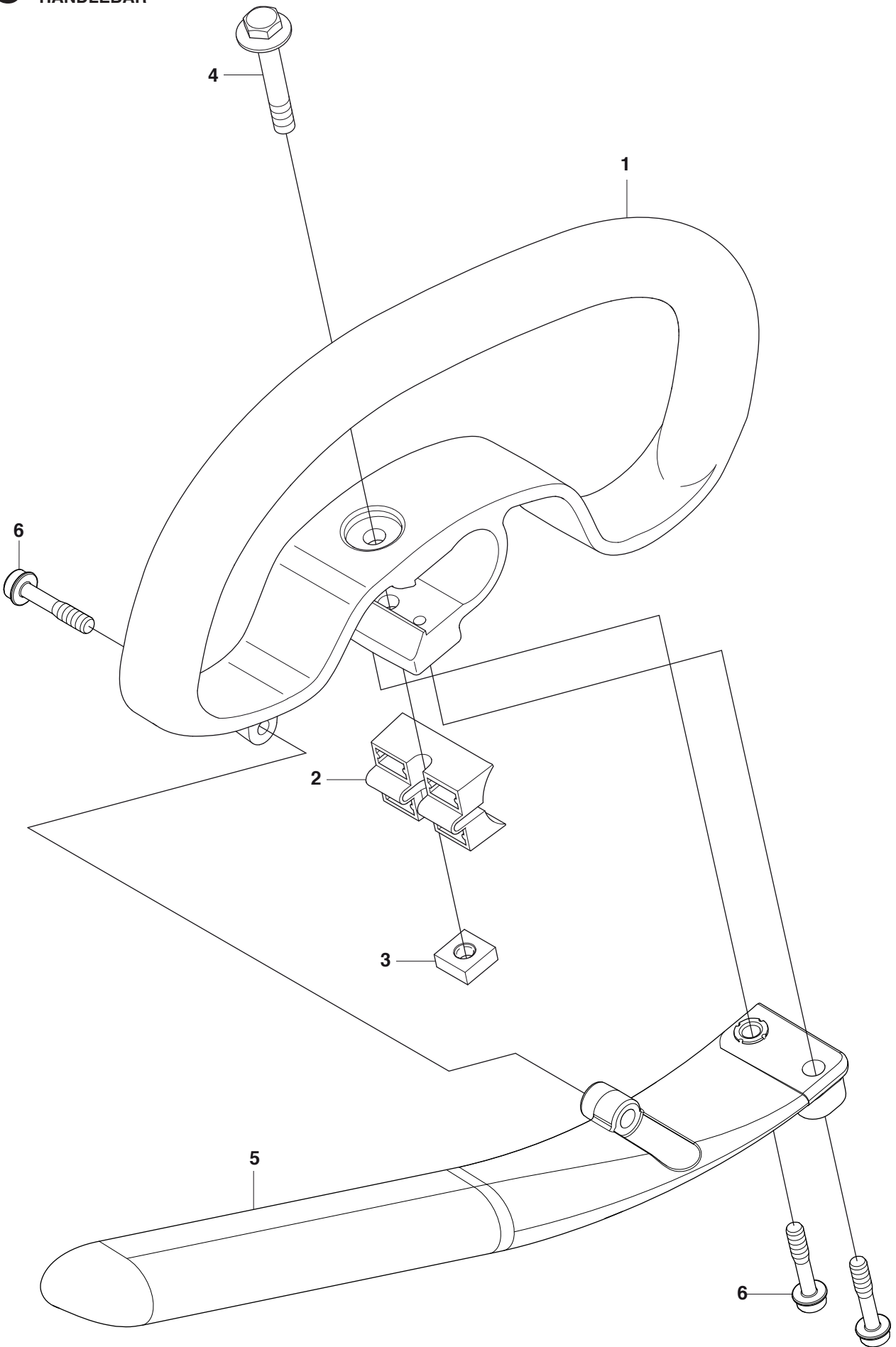


| Position | Article      | Quantity | Notes | Kit |
|----------|--------------|----------|-------|-----|
| 1        | 525 34 86-01 | 1        |       |     |
| 2        | 521 74 65-01 | 1        |       |     |
| 3        | 537 18 95-01 | 1        |       |     |
| 4        | 510 24 10-01 | 1        |       |     |
| 5        | 521 86 20-01 | 1        |       | 1   |
| 6        | 521 86 24-01 | 1        |       | 1   |
| 7        | 525 34 89-01 | 1        |       | 1   |
| 8        | 516 12 41-01 | 1        |       | 1   |
| 9        | 516 12 79-01 | 1        |       | 1   |
| 10       | 516 13 00-01 | 1        |       | 1   |
| 11       | 506 60 99-01 | 1        |       | 1   |
| 12       | 521 86 08-01 | 1        |       | 1   |
| 13       | 516 12 78-01 | 1        |       | 1   |
| 14       | 525 34 88-01 | 1        |       | 1   |
| 15       | 525 34 87-01 | 1        |       | 1   |
| 16       | 516 13 17-01 | 1        |       | 1   |
| 17       | 505 29 40-01 | 1        |       | 1   |
| 18       | 521 52 22-01 | 1        |       | 1   |
| 19       | 525 34 90-01 | 1        |       | 1   |
| 20       | 521 65 60-01 | 1        |       | 1   |
| 21       | 521 66 22-01 | 1        |       | 1   |
| 22       | 502 29 11-01 | 1        |       | 1   |
| 23       | 574 40 44-01 | 1        |       |     |



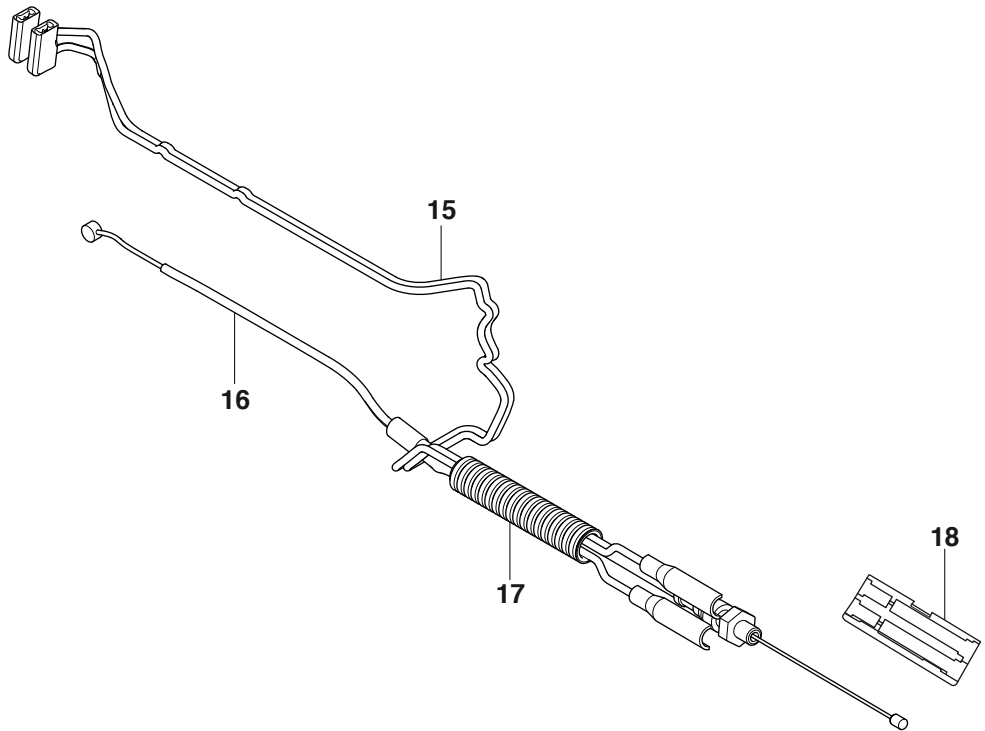
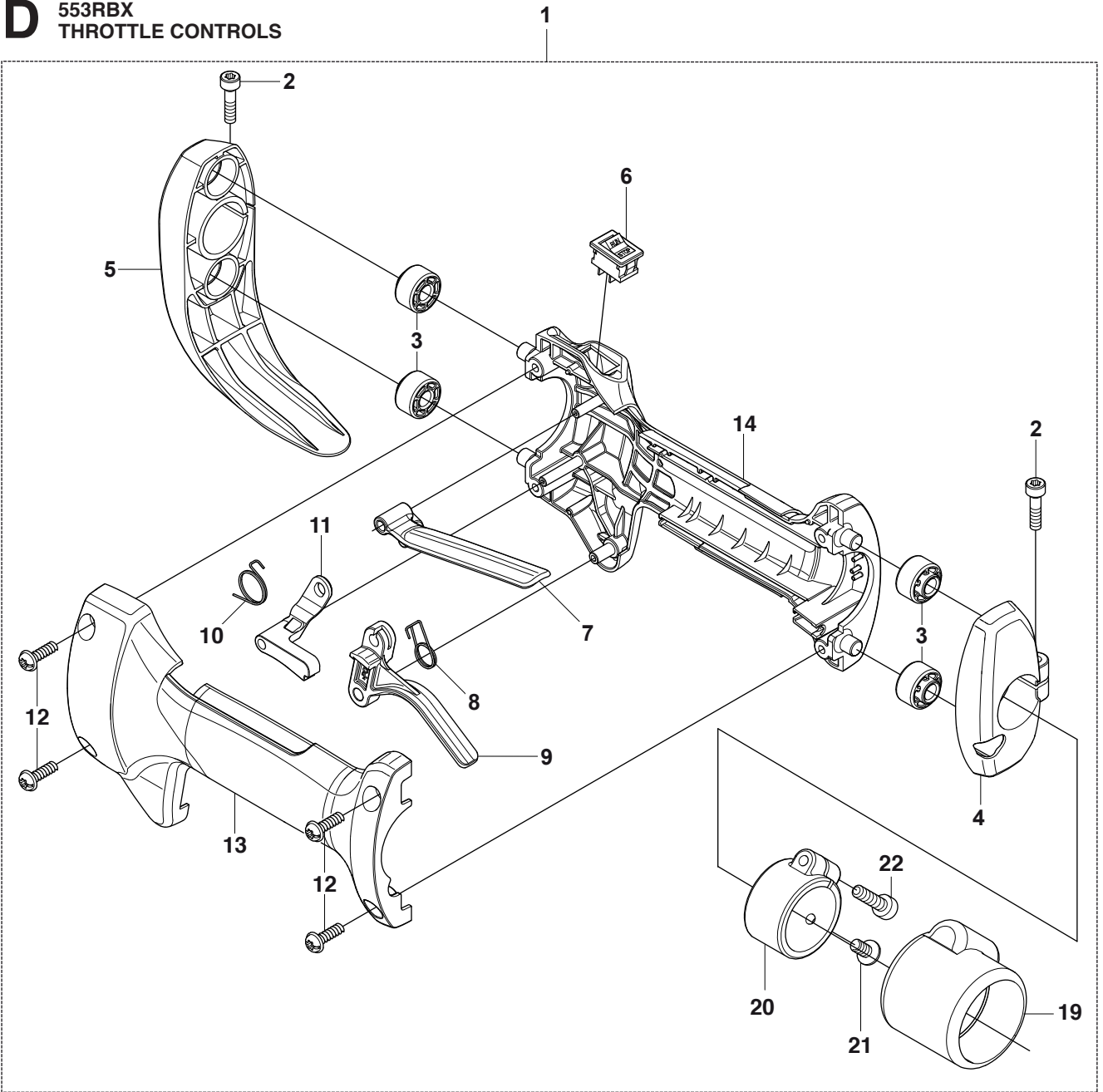
| <b>Position</b> | <b>Article</b> | <b>Quantity</b> | <b>Notes</b> | <b>Kit</b> |
|-----------------|----------------|-----------------|--------------|------------|
| 1               | 574 50 94-01   | 1               |              |            |
| 2               | 516 13 65-01   | 1               |              |            |
| 3               | 523 04 85-01   | 5               |              |            |
| 4               | 521 66 08-01   | 1               |              |            |
| 5               | 544 33 08-01   | 1               |              |            |
| 6               | 574 50 89-01   | 1               |              |            |
| 7               | 574 50 90-01   | 1               |              |            |

**C** 553RBX  
HANDLEBAR



| <b>Position</b> | <b>Article</b> | <b>Quantity</b> | <b>Notes</b> | <b>Kit</b> |
|-----------------|----------------|-----------------|--------------|------------|
| 1               | 544 10 10-05   | 1               |              |            |
| 2               | 544 10 11-01   | 1               |              |            |
| 3               | 502 19 71-01   | 1               |              |            |
| 4               | 725 23 78-51   | 1               |              |            |
| 5               | 503 99 78-03   | 1               |              |            |
| 6               | 574 18 15-01   | 3               |              |            |

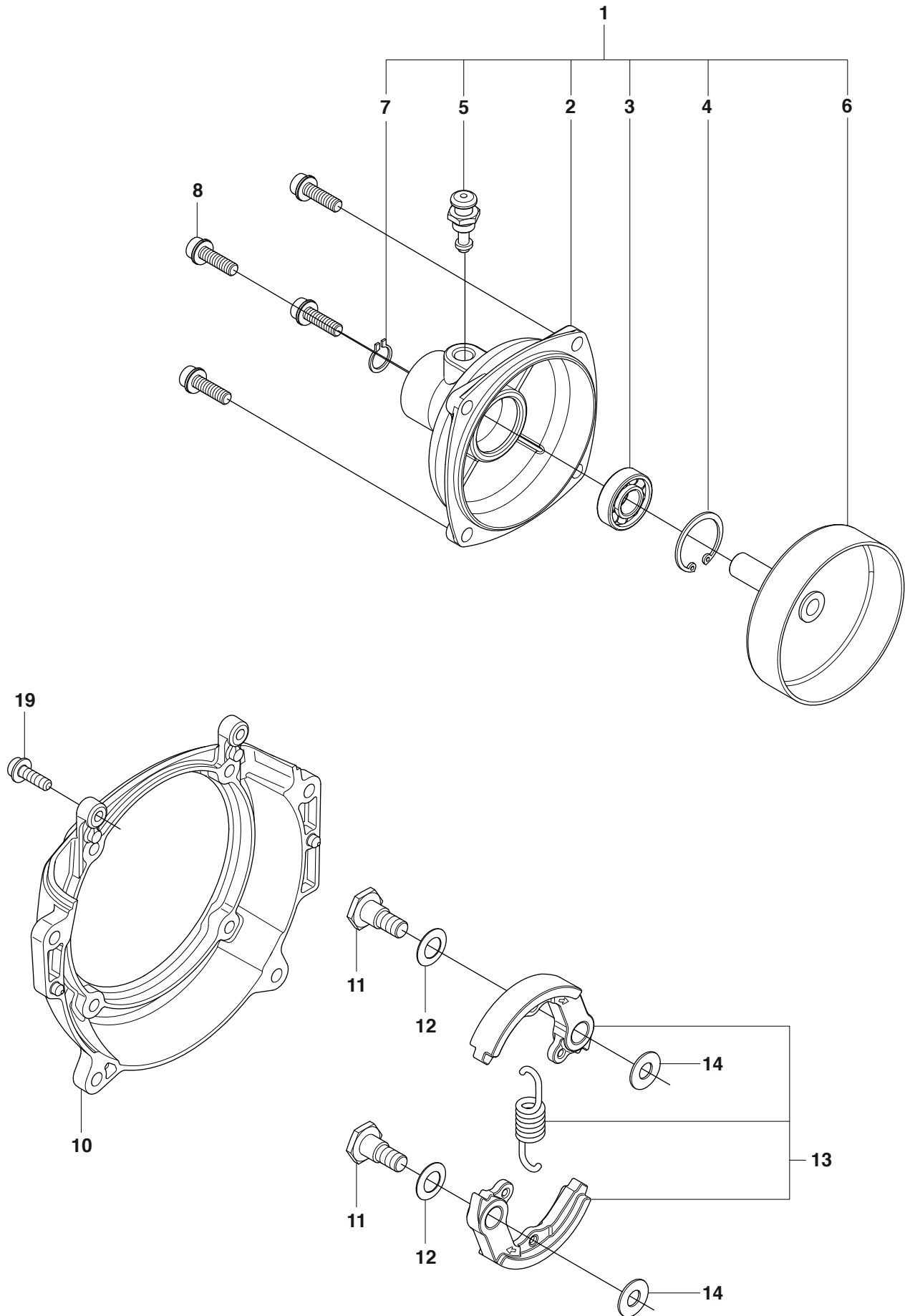
**D** 553RBX  
THROTTLE CONTROLS





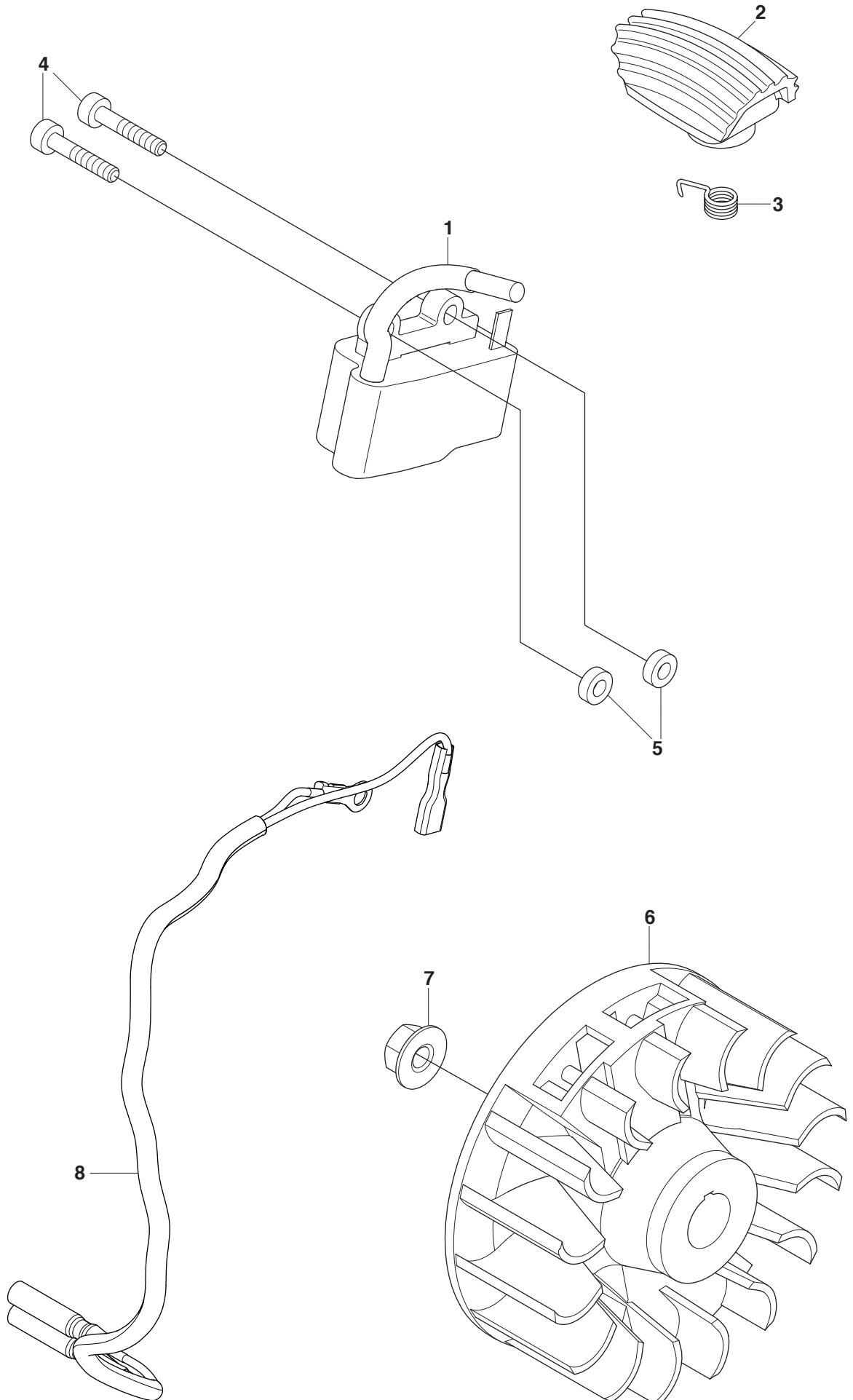
| Position | Article      | Quantity | Notes | Kit |
|----------|--------------|----------|-------|-----|
| 1        | 574 73 51-01 | 1        |       |     |
| 2        | 506 61 62-01 | 2        |       | 1   |
| 3        | 521 66 77-01 | 4        |       | 1   |
| 4        | 525 41 86-01 | 1        |       | 1   |
| 5        | 574 50 93-01 | 1        |       | 1   |
| 6        | 521 85 16-01 | 1        |       | 1   |
| 7        | 521 66 73-01 | 1        |       | 1   |
| 8        | 521 66 72-01 | 1        |       | 1   |
| 9        | 521 66 70-01 | 1        |       | 1   |
| 10       | 521 66 75-01 | 1        |       | 1   |
| 11       | 521 66 76-01 | 1        |       | 1   |
| 12       | 521 51 79-01 | 4        |       | 1   |
| 13       | 521 66 66-01 | 1        |       | 1   |
| 14       | 521 66 62-01 | 1        |       | 1   |
| 15       | 521 52 58-01 | 1        |       |     |
| 16       | 574 27 05-01 | 1        |       |     |
| 17       | 521 52 44-01 | 1        |       |     |
| 18       | 521 52 86-01 | 1        |       |     |
| 19       | 574 50 92-01 | 1        |       | 1   |
| 20       | 574 50 91-01 | 1        |       | 1   |
| 21       | 521 51 52-01 | 1        |       | 1   |
| 22       | 506 68 90-01 | 1        |       | 1   |

**E** 553RBX  
CLUTCH



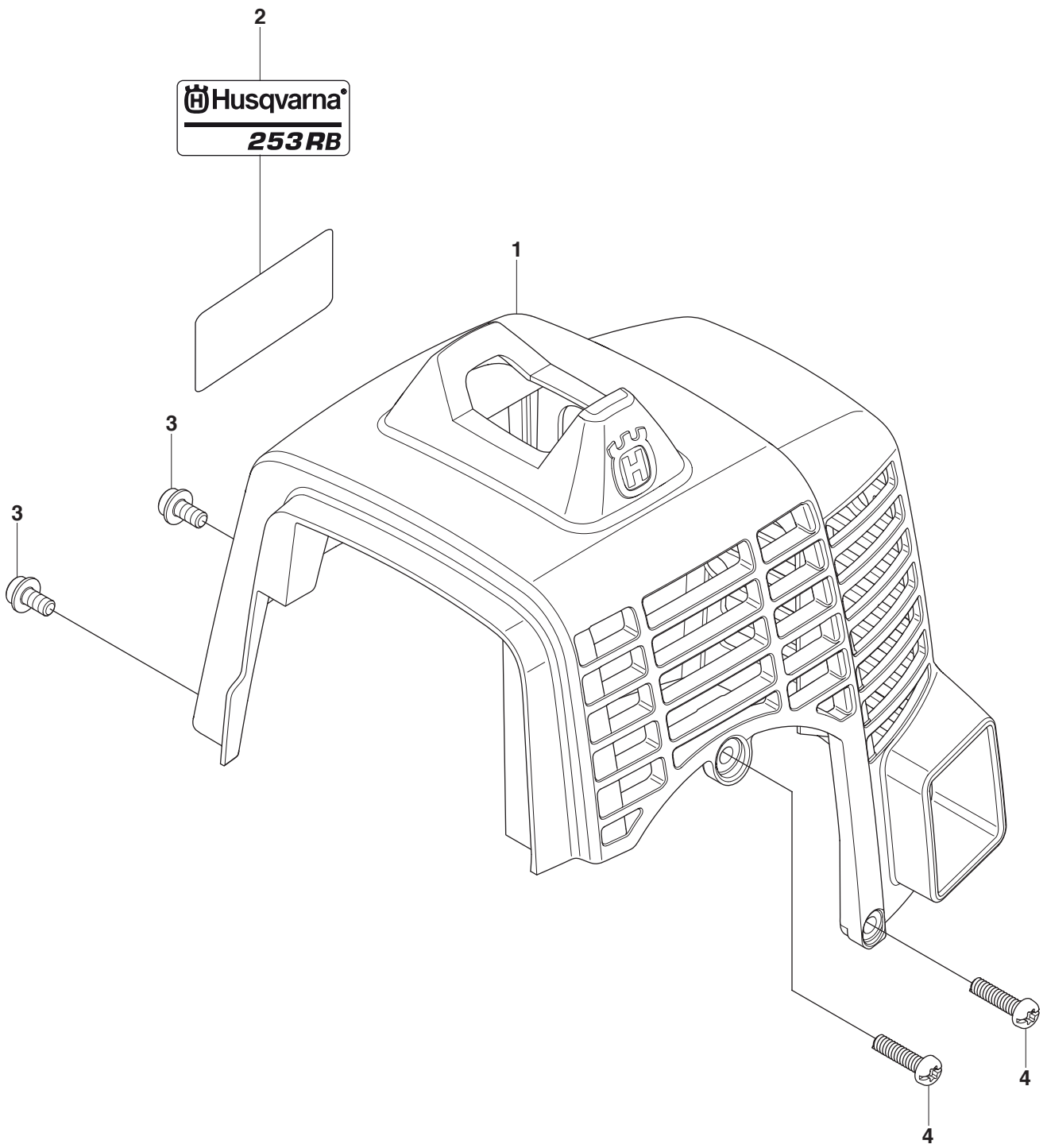
| <b>Position</b> | <b>Article</b> | <b>Quantity</b> | <b>Notes</b> | <b>Kit</b> |
|-----------------|----------------|-----------------|--------------|------------|
| 1               | 526 57 43-01   | 1               |              |            |
| 2               | 515 53 61-01   | 1               |              | 1          |
| 3               | 529 26 98-01   | 1               |              | 1          |
| 4               | 506 60 99-01   | 1               |              | 1          |
| 5               | 521 60 23-01   | 1               |              | 1          |
| 6               | 515 55 89-01   | 1               |              | 1          |
| 7               | 516 12 41-01   | 1               |              | 1          |
| 8               | 523 01 90-01   | 4               |              |            |
| 9               | 521 34 79-01   | 4               |              |            |
| 10              | 525 43 18-01   | 1               |              |            |
| 11              | 505 29 78-01   | 2               |              |            |
| 12              | 505 29 81-01   | 2               |              |            |
| 13              | 521 63 64-01   | 1               |              |            |
| 14              | 505 29 80-01   | 2               |              |            |

**F** 553RBX  
IGNITION



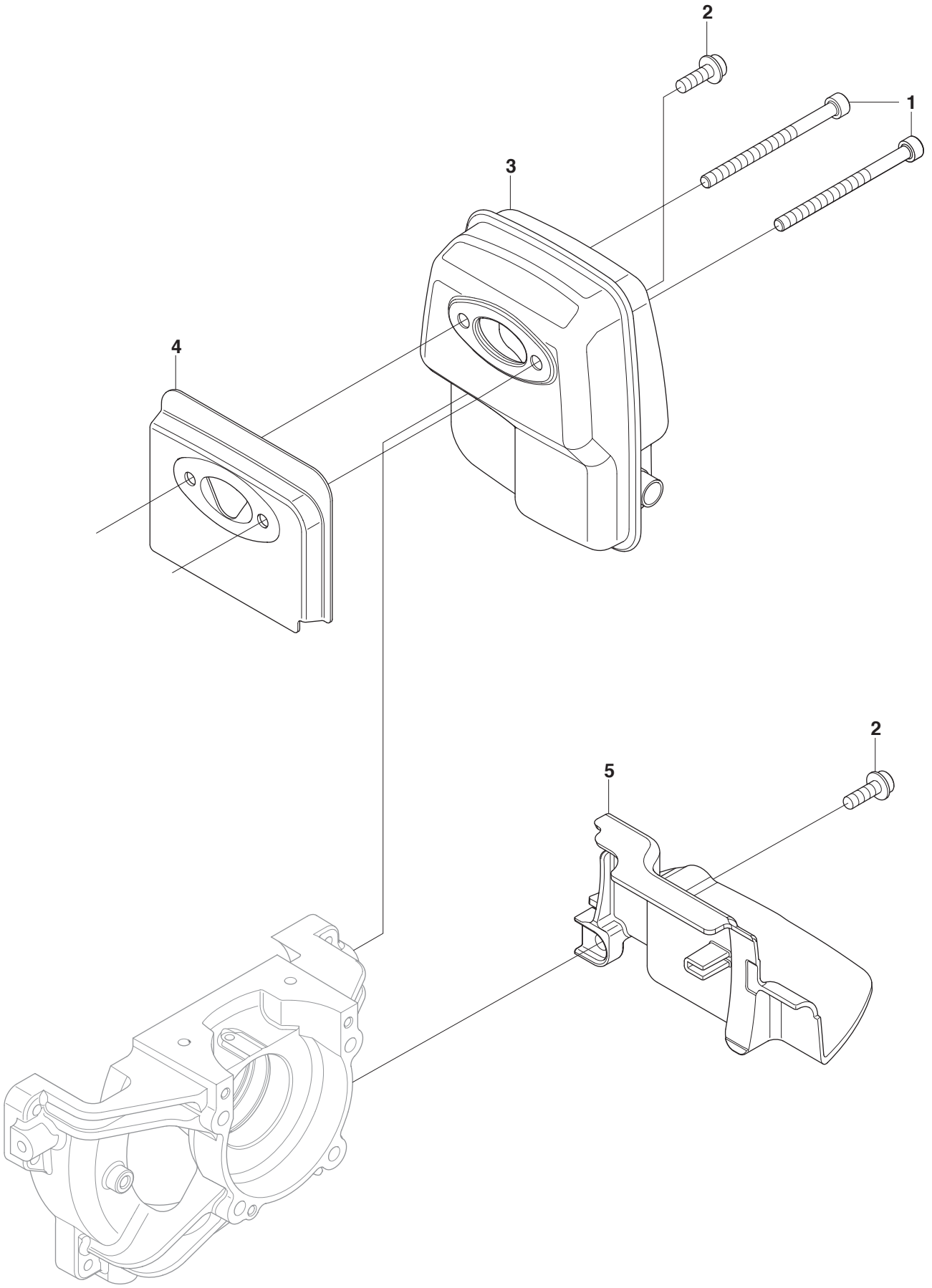
| <b>Position</b> | <b>Article</b> | <b>Quantity</b> | <b>Notes</b> | <b>Kit</b> |
|-----------------|----------------|-----------------|--------------|------------|
| 1               | 521 64 87-01   | 1               |              |            |
| 2               | 521 61 00-01   | 1               |              |            |
| 3               | 505 29 89-01   | 1               |              |            |
| 4               | 521 86 09-01   | 2               |              |            |
| 5               | 506 61 12-01   | 2               |              |            |
| 6               | 521 64 79-01   | 1               |              |            |
| 7               | 516 31 39-01   | 1               |              |            |
| 8               | 512 31 20-01   | 1               |              |            |

**G** 553RBX  
CYLINDER COVER



| <b>Position</b> | <b>Article</b> | <b>Quantity</b> | <b>Notes</b> | <b>Kit</b> |
|-----------------|----------------|-----------------|--------------|------------|
| 1               | 510 17 32-01   | 1               |              |            |
| 2               | 522 78 04-07   | 1               |              |            |
| 3               | 521 51 59-01   | 2               |              |            |
| 4               | 521 86 36-01   | 2               |              |            |

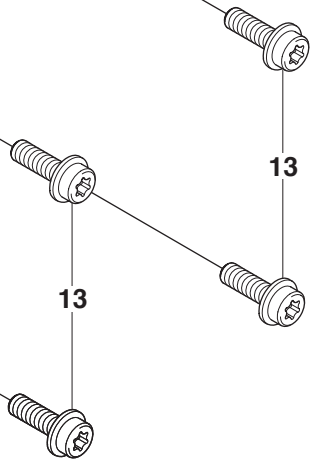
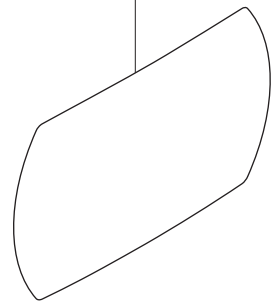
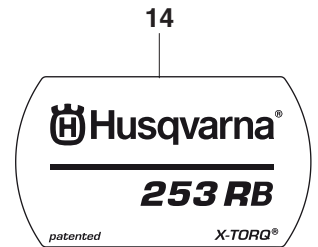
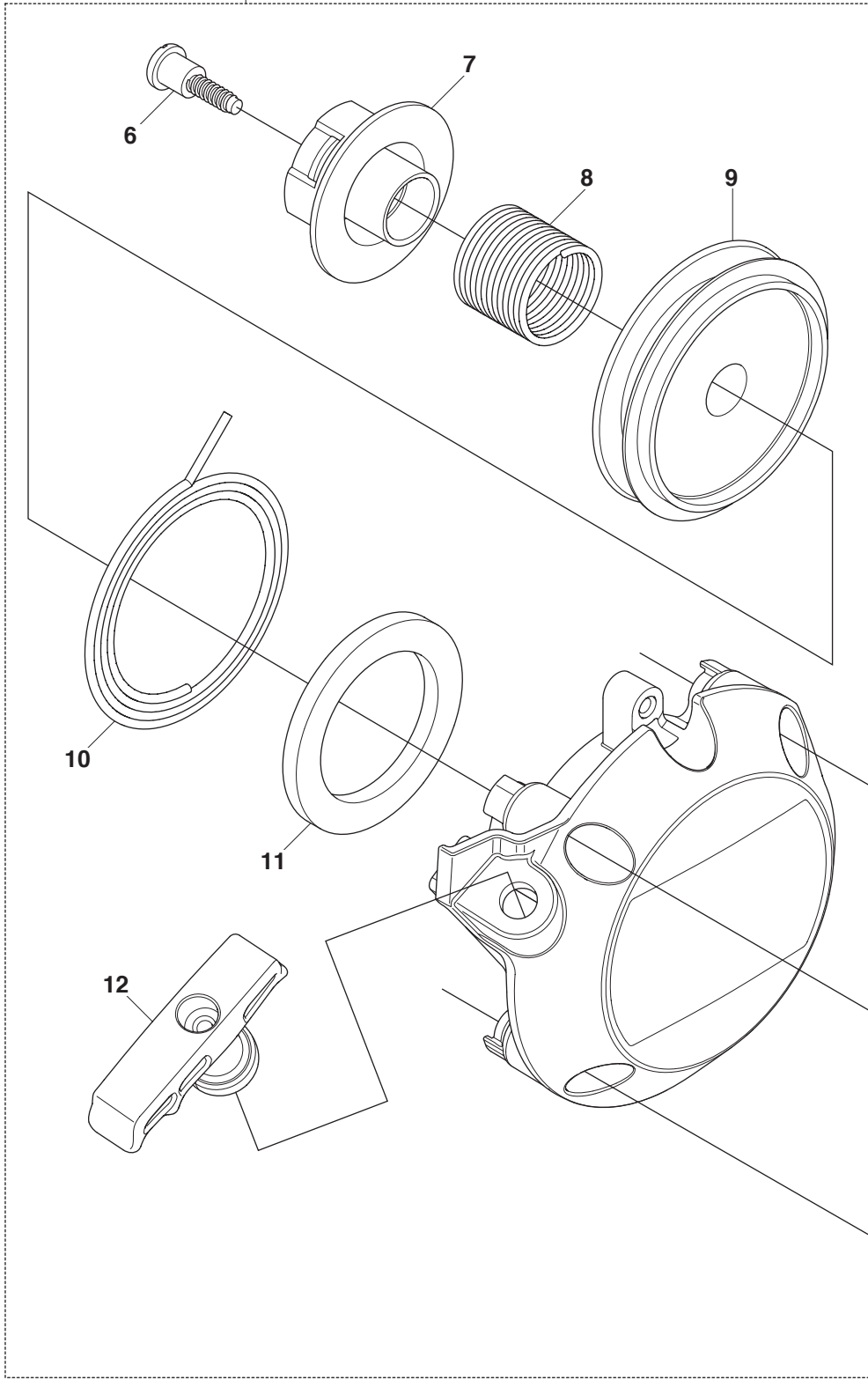
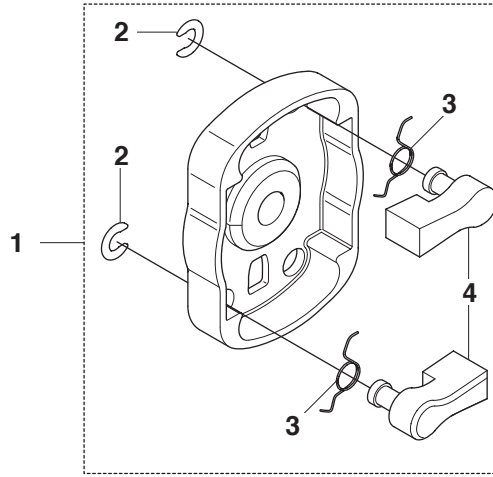
**H** 553RBX  
MUFFLER





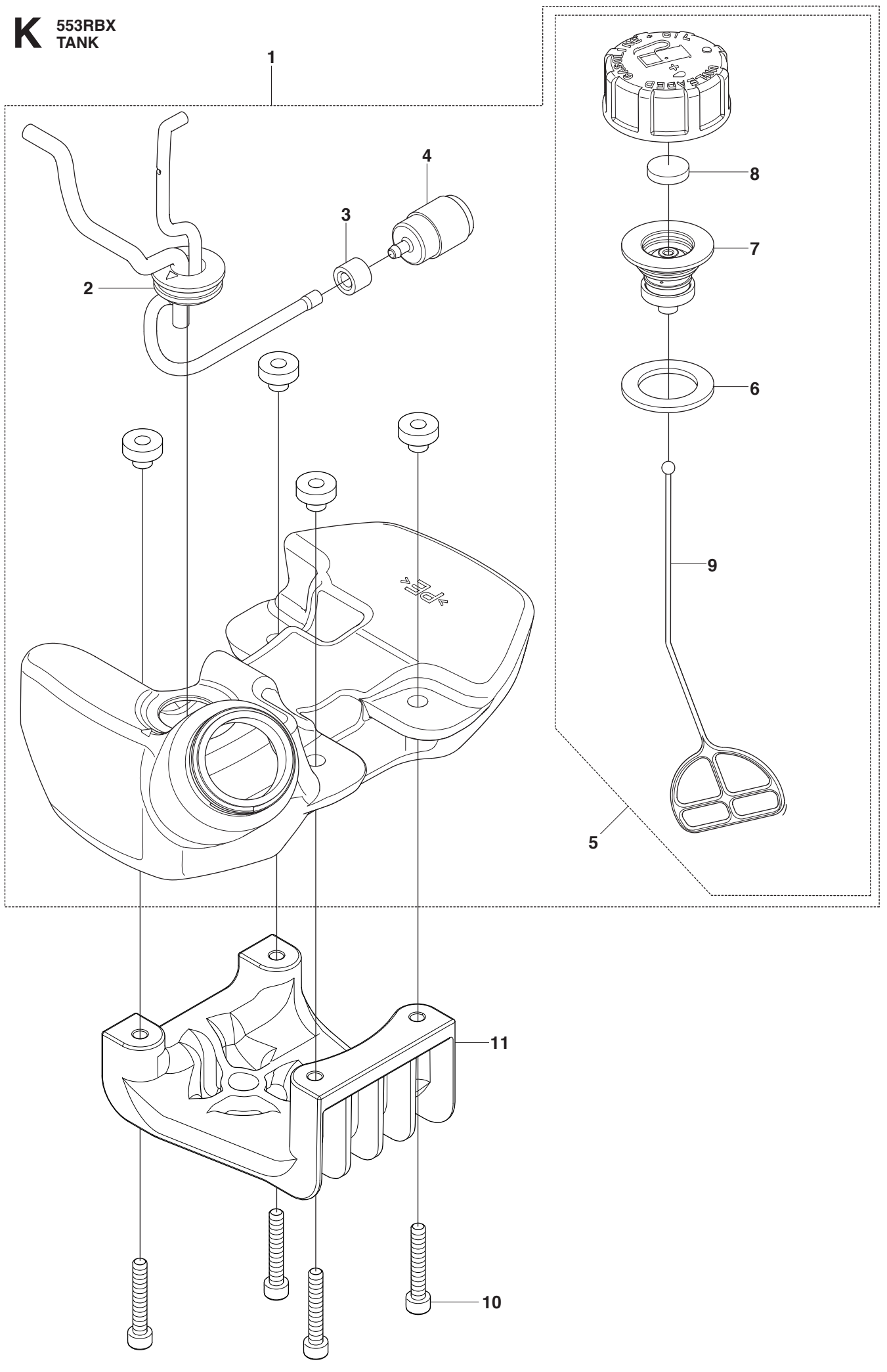
| <b>Position</b> | <b>Article</b> | <b>Quantity</b> | <b>Notes</b> | <b>Kit</b> |
|-----------------|----------------|-----------------|--------------|------------|
| 1               | 521 51 73-01   | 2               |              |            |
| 2               | 521 34 79-01   | 2               |              |            |
| 3               | 521 63 53-01   | 1               |              |            |
| 4               | 521 64 66-01   | 1               |              |            |
| 5               | 525 43 17-01   | 1               |              |            |

**J** 553RBX  
STARTER



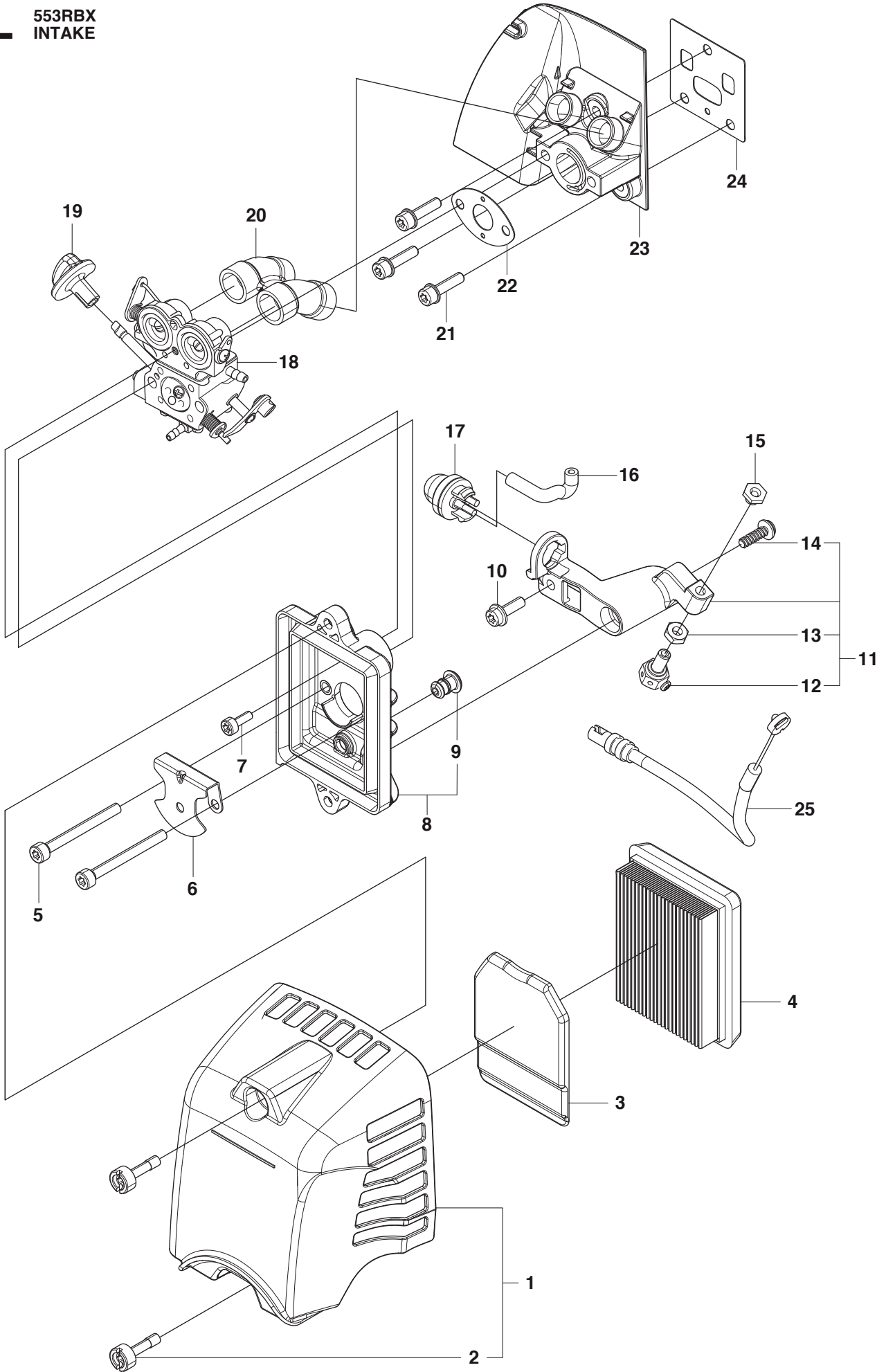
| <b>Position</b> | <b>Article</b> | <b>Quantity</b> | <b>Notes</b> | <b>Kit</b> |
|-----------------|----------------|-----------------|--------------|------------|
| 1               | 521 64 80-01   | 1               |              |            |
| 2               | 516 15 55-01   | 2               |              | 1          |
| 3               | 521 63 84-01   | 2               |              | 1          |
| 4               | 525 43 24-01   | 2               |              | 1          |
| 5               | 525 43 20-01   | 1               |              |            |
| 6               | 525 43 23-01   | 1               |              | 5          |
| 7               | 525 43 22-01   | 1               |              | 5          |
| 8               | 521 63 80-01   | 1               |              | 5          |
| 9               | 521 64 81-01   | 1               |              | 5          |
| 10              | 521 63 77-01   | 1               |              | 5          |
| 11              | 521 63 74-01   | 1               |              | 5          |
| 12              | 521 61 79-01   | 1               |              | 5          |
| 13              | 506 61 65-01   | 4               |              |            |
| 14              | 522 78 03-05   | 1               |              |            |

**K** 553RBX  
TANK



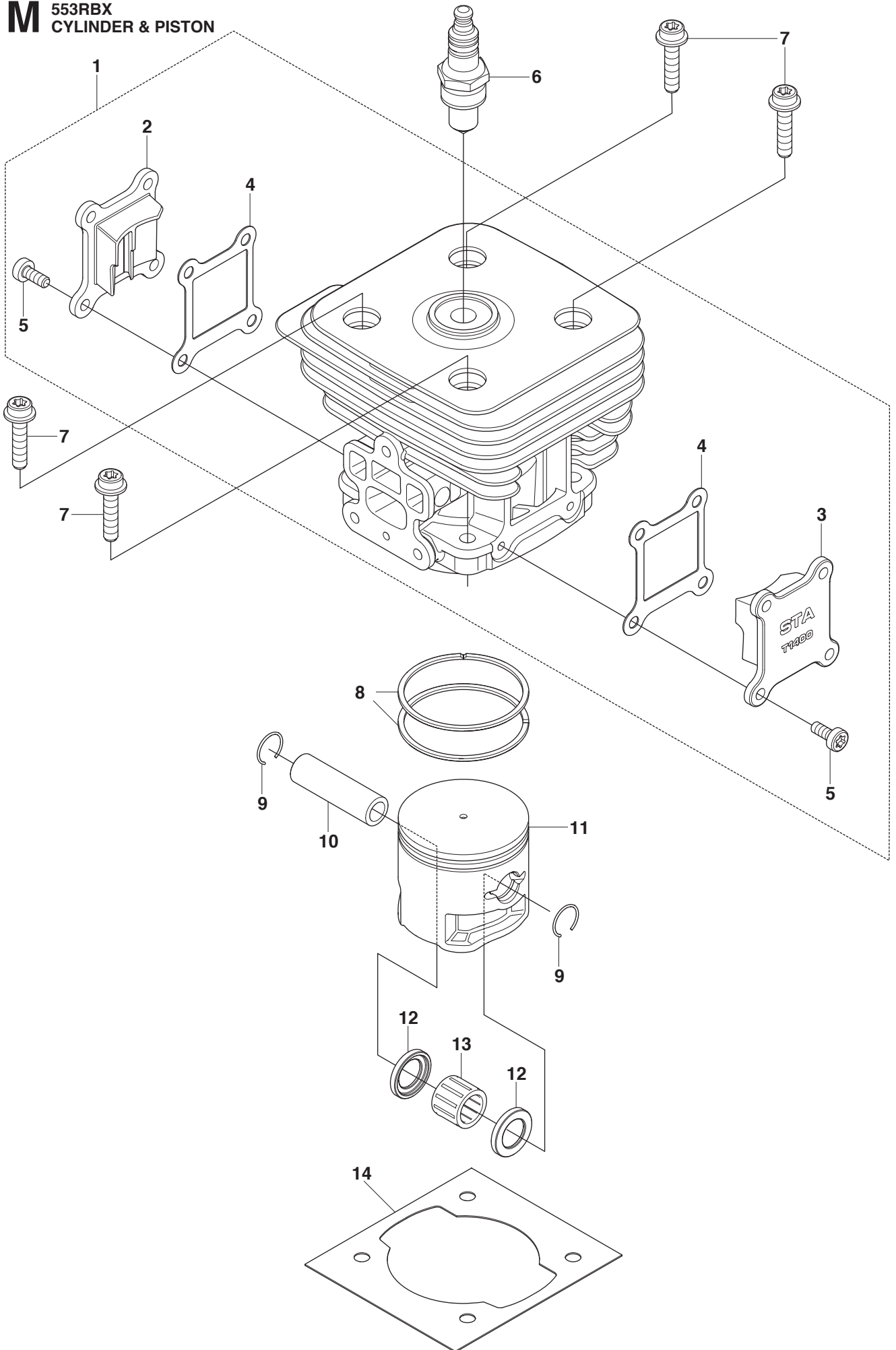
| Position | Article      | Quantity | Notes | Kit |
|----------|--------------|----------|-------|-----|
| 1        | 521 64 25-01 | 1        |       |     |
| 2        | 521 64 26-01 | 1        |       | 1   |
| 3        | 505 04 45-01 | 1        |       | 1   |
| 4        | 506 61 46-01 | 1        |       | 1   |
| 5        | 506 67 10-01 | 1        |       | 1   |
| 6        | 506 61 53-01 | 1        |       | 1,5 |
| 7        | 506 61 54-01 | 1        |       | 1,5 |
| 8        | 506 61 72-01 | 1        |       | 1,5 |
| 9        | 506 61 67-01 | 1        |       | 1,5 |
| 10       | 521 51 70-01 | 4        |       |     |
| 11       | 521 64 44-01 | 1        |       |     |

**L** 553RBX  
INTAKE



| Position | Article      | Quantity | Notes | Kit |
|----------|--------------|----------|-------|-----|
| 1        | 525 41 83-01 | 1        |       |     |
| 2        | 521 51 54-01 | 2        |       | 1   |
| 3        | 521 62 57-01 | 1        |       |     |
| 4        | 521 64 21-01 | 1        |       |     |
| 5        | 506 61 63-01 | 2        |       |     |
| 6        | 521 83 44-01 | 1        |       |     |
| 7        | 521 51 57-01 | 1        |       |     |
| 8        | 521 62 54-01 | 1        |       |     |
| 9        | 521 62 56-01 | 1        |       | 8   |
| 10       | 521 34 79-01 | 1        |       |     |
| 11       | 521 64 12-01 | 1        |       |     |
| 12       | 505 30 82-01 | 1        |       | 11  |
| 13       | 516 11 79-01 | 1        |       | 11  |
| 14       | 521 51 79-01 | 1        |       | 11  |
| 15       | 521 62 53-01 | 1        |       |     |
| 16       | 521 52 35-01 | 1        |       |     |
| 17       | 505 04 58-01 | 1        |       |     |
| 18       | 574 18 45-01 | 1        |       |     |
| 19       | 521 64 17-01 | 1        |       |     |
| 20       | 521 64 15-01 | 1        |       |     |
| 21       | 505 04 04-01 | 3        |       |     |
| 22       | 521 63 52-01 | 1        |       |     |
| 23       | 521 63 48-01 | 1        |       |     |
| 24       | 521 63 50-01 | 1        |       |     |
| 25       | 521 52 84-01 | 1        |       |     |

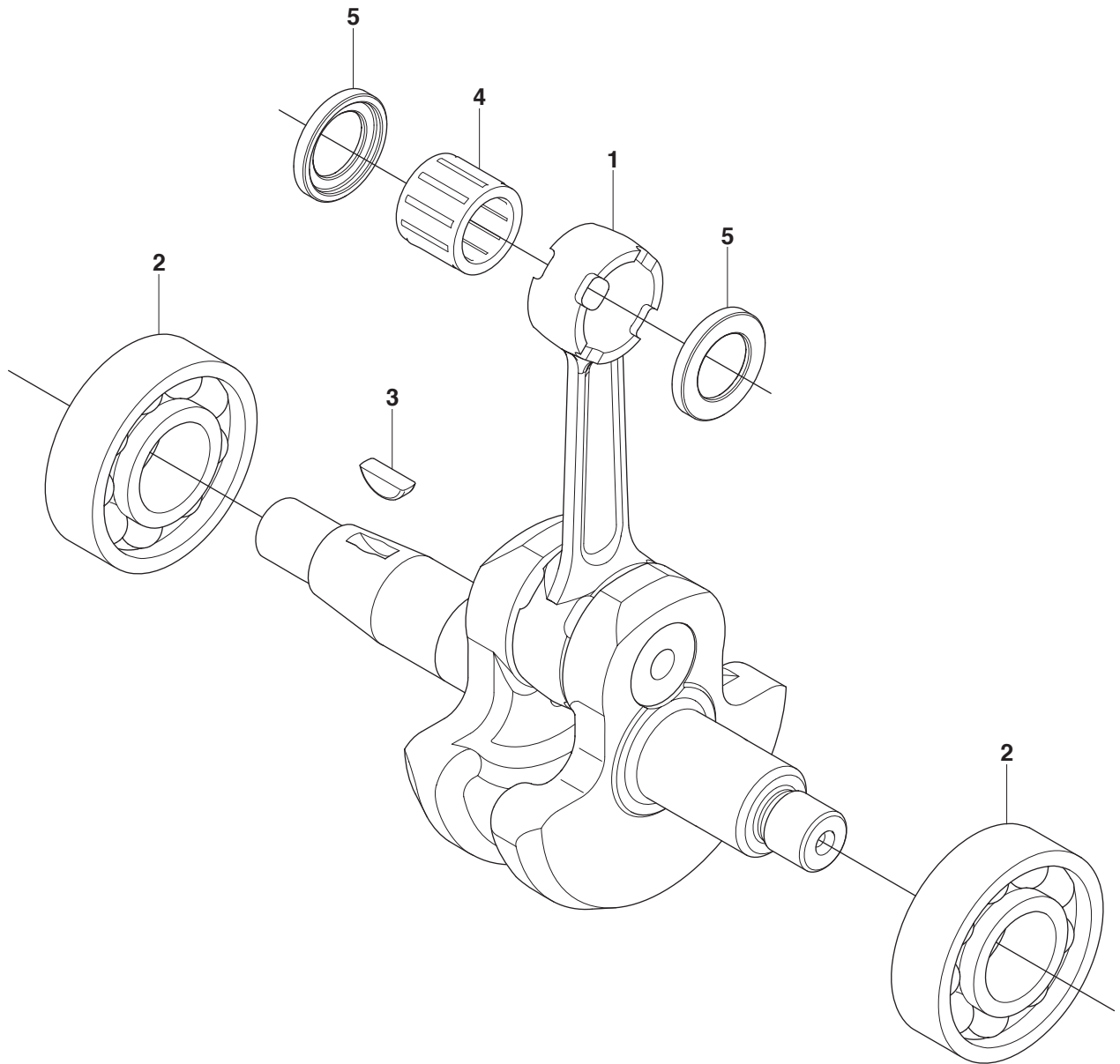
**M** 553RBX  
CYLINDER & PISTON





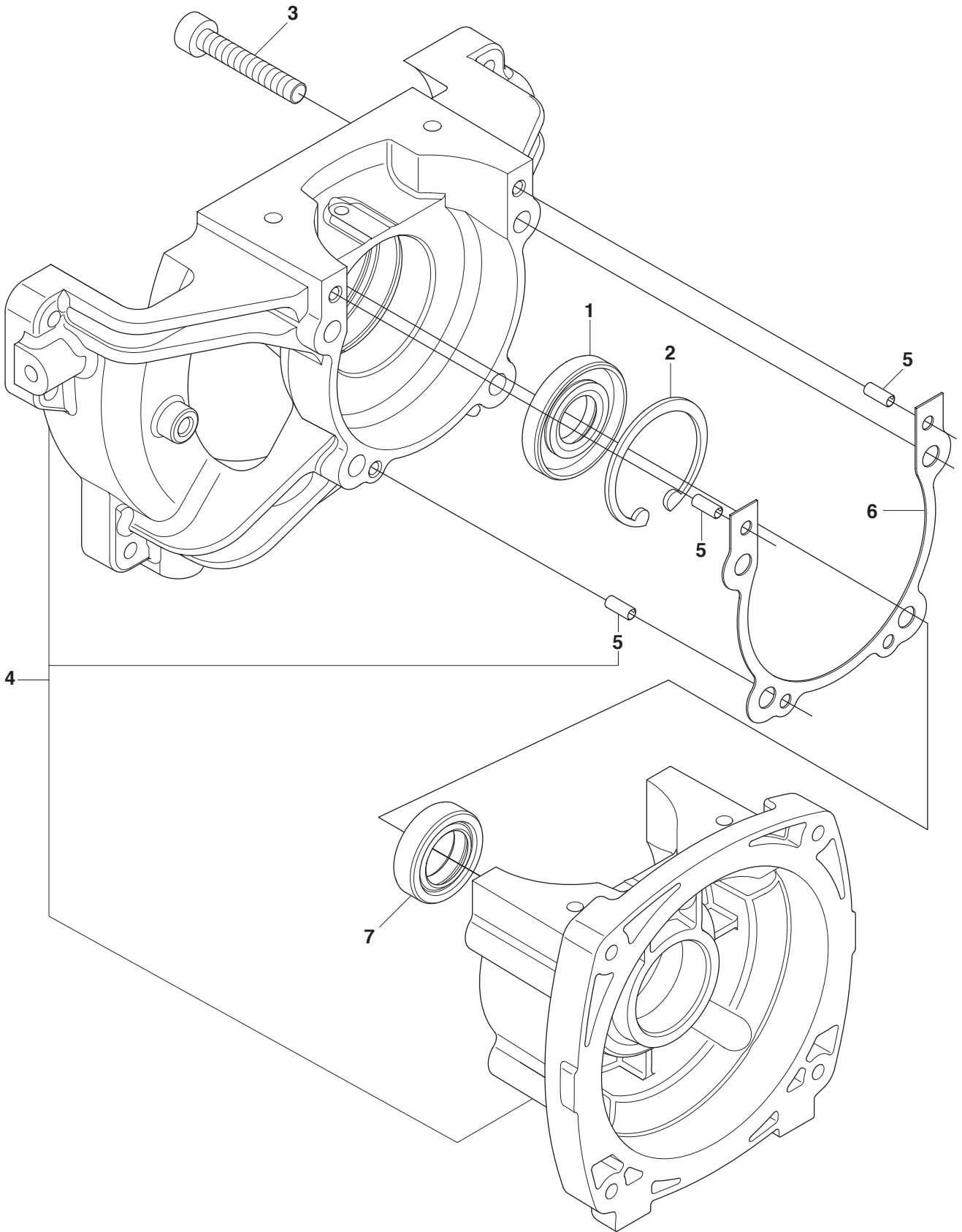
| Position | Article      | Quantity | Notes | Kit |
|----------|--------------|----------|-------|-----|
| 1        | 521 63 42-01 | 1        |       |     |
| 2        | 521 63 45-01 | 1        |       | 1   |
| 3        | 521 63 44-01 | 1        |       | 1   |
| 4        | 521 63 46-01 | 2        |       | 1   |
| 5        | 521 51 56-01 | 8        |       | 1   |
| 6        | 521 23 34-01 | 1        |       |     |
| 7        | 506 61 60-01 | 4        |       |     |
| 8        | 521 74 55-01 | 2        |       |     |
| 9        | 521 05 72-01 | 2        |       |     |
| 10       | 516 99 80-01 | 1        |       |     |
| 11       | 521 63 62-01 | 1        |       |     |
| 12       | 516 81 50-01 | 2        |       |     |
| 13       | 516 31 34-01 | 1        |       |     |
| 14       | 521 63 43-01 | 1        |       |     |

**N** 553RBX  
CRANKSHAFT



| <b>Position</b> | <b>Article</b> | <b>Quantity</b> | <b>Notes</b> | <b>Kit</b> |
|-----------------|----------------|-----------------|--------------|------------|
| 1               | 521 63 63-01   | 1               |              |            |
| 2               | 521 52 11-01   | 2               |              |            |
| 3               | 506 61 07-01   | 1               |              |            |
| 4               | 516 31 34-01   | 1               |              |            |
| 5               | 516 81 50-01   | 2               |              |            |

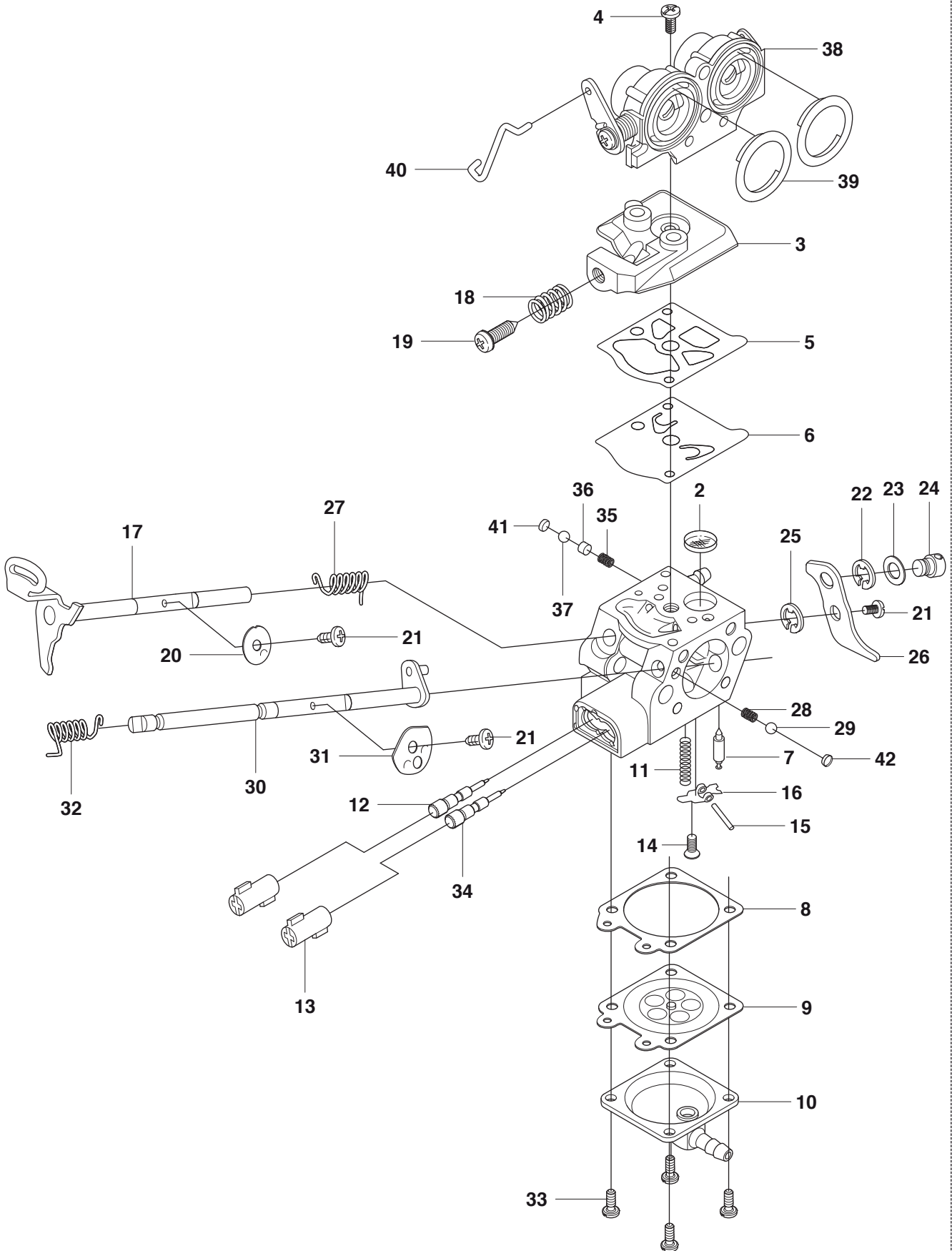
**P** 553RBX  
CRANKCASE



| <b>Position</b> | <b>Article</b> | <b>Quantity</b> | <b>Notes</b> | <b>Kit</b> |
|-----------------|----------------|-----------------|--------------|------------|
| 1               | 516 31 23-01   | 1               |              |            |
| 2               | 505 29 40-01   | 1               |              |            |
| 3               | 521 34 57-01   | 4               |              |            |
| 4               | 521 63 56-01   | 1               |              |            |
| 5               | 505 29 61-01   | 3               |              | 4          |
| 6               | 521 74 54-01   | 1               |              |            |
| 7               | 521 84 01-01   | 1               |              |            |

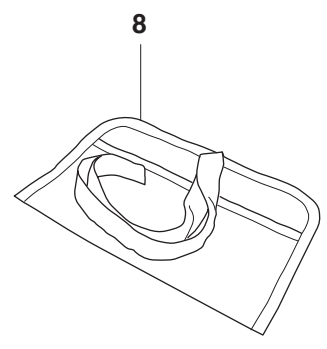
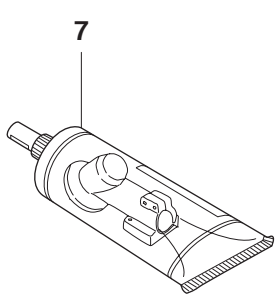
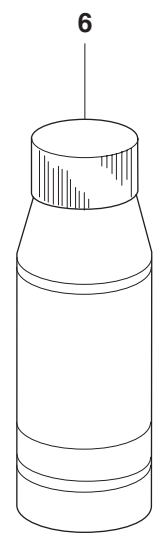
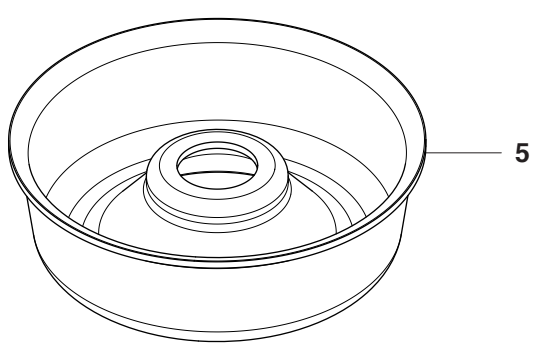
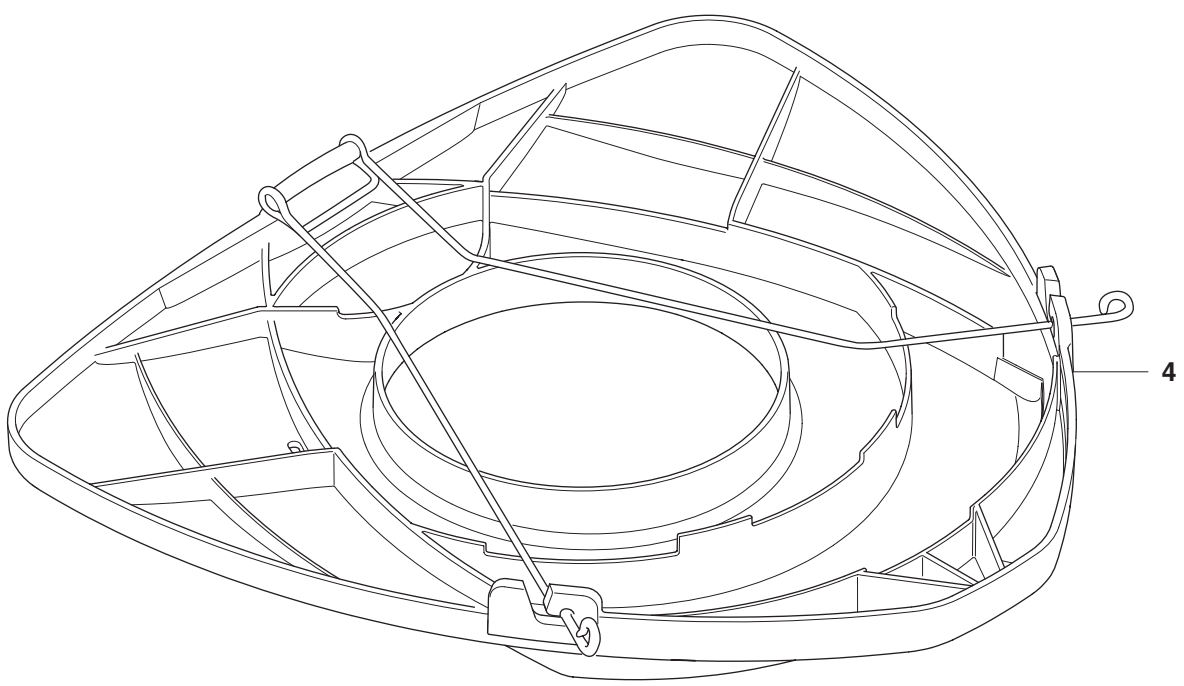
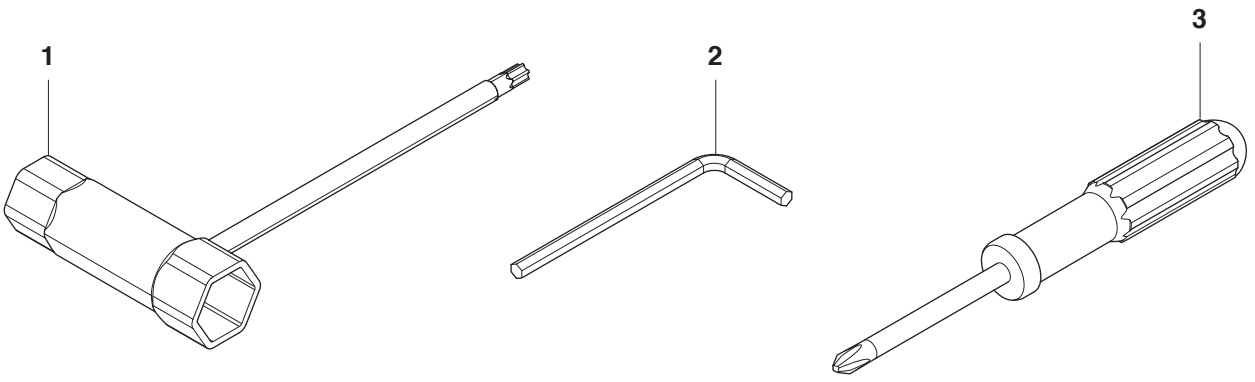
**Q** 553RBX  
CARBURETTOR

1



| Position | Article      | Quantity | Notes | Kit |
|----------|--------------|----------|-------|-----|
| 1        | 574 18 45-01 | 1        |       |     |
| 2        | 505 05 51-01 | 1        |       | 1   |
| 3        | 521 63 98-01 | 1        |       | 1   |
| 4        | 521 64 00-01 | 1        |       | 1   |
| 5        | 505 05 54-01 | 1        |       | 1   |
| 6        | 516 22 17-01 | 1        |       | 1   |
| 7        | 505 05 56-01 | 1        |       | 1   |
| 8        | 505 05 63-01 | 1        |       | 1   |
| 9        | 505 30 68-01 | 1        |       | 1   |
| 10       | 521 63 97-01 | 1        |       | 1   |
| 11       | 516 35 07-01 | 1        |       | 1   |
| 12       | 525 55 45-01 | 1        |       | 1   |
| 13       | 521 11 69-01 | 2        |       | 1   |
| 14       | 505 05 59-01 | 1        |       | 1   |
| 15       | 505 05 58-01 | 1        |       | 1   |
| 16       | 505 05 60-01 | 1        |       | 1   |
| 17       | 525 55 46-01 | 1        |       | 1   |
| 18       | 516 27 94-01 | 1        |       | 1   |
| 19       | 516 21 38-01 | 1        |       | 1   |
| 20       | 525 55 47-01 | 1        |       | 1   |
| 21       | 505 05 67-01 | 3        |       | 1   |
| 22       | 506 61 25-01 | 1        |       | 1   |
| 23       | 516 52 42-01 | 1        |       | 1   |
| 24       | 516 52 38-01 | 1        |       | 1   |
| 25       | 505 05 65-01 | 1        |       | 1   |
| 26       | 521 64 55-01 | 1        |       | 1   |
| 27       | 505 05 68-01 | 1        |       | 1   |
| 28       | 521 06 61-01 | 1        |       | 1   |
| 29       | 521 06 55-01 | 1        |       | 1   |
| 30       | 521 64 51-01 | 1        |       | 1   |
| 31       | 525 55 49-01 | 1        |       | 1   |
| 32       | 521 06 65-01 | 1        |       | 1   |
| 33       | 505 05 78-01 | 4        |       | 1   |
| 34       | 516 93 58-01 | 1        |       | 1   |
| 35       | 505 05 79-01 | 1        |       | 1   |
| 36       | 505 05 80-01 | 1        |       | 1   |
| 37       | 506 12 30-01 | 1        |       | 1   |
| 38       | 521 64 09-01 | 1        |       | 1   |
| 39       | 525 41 93-01 | 2        |       | 1   |
| 40       | 521 64 16-01 | 1        |       | 1   |
| 41       | 516 34 29-01 | 1        |       | 1   |
| 42       | 525 55 50-01 | 1        |       | 1   |

**R** 553RBX  
ACCESSORIES

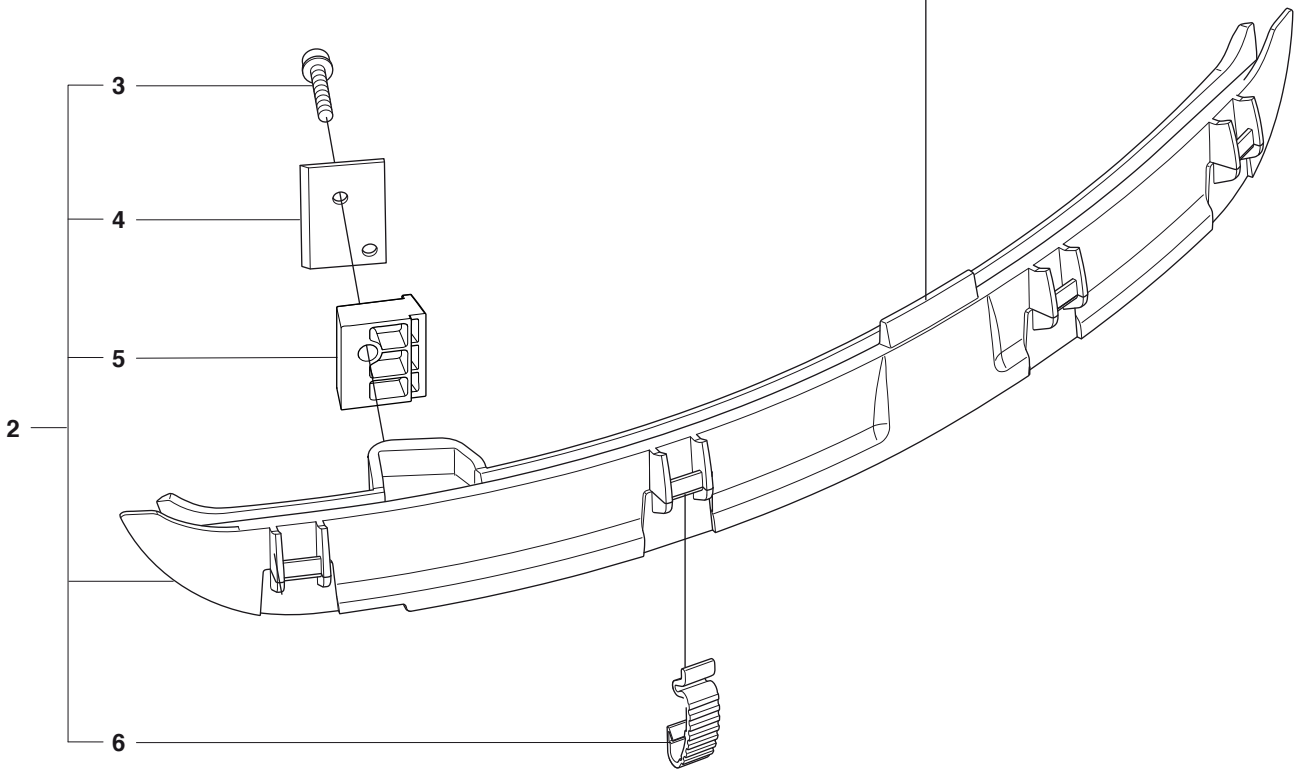
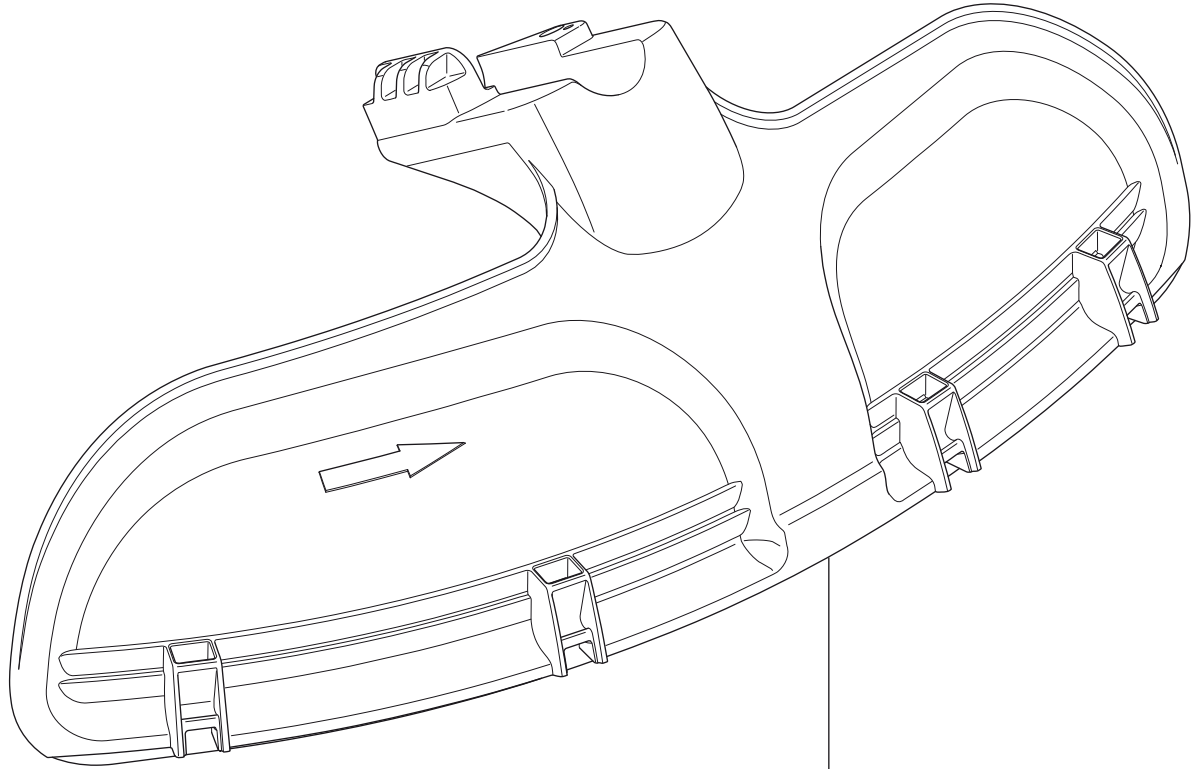




ACCESSORIES

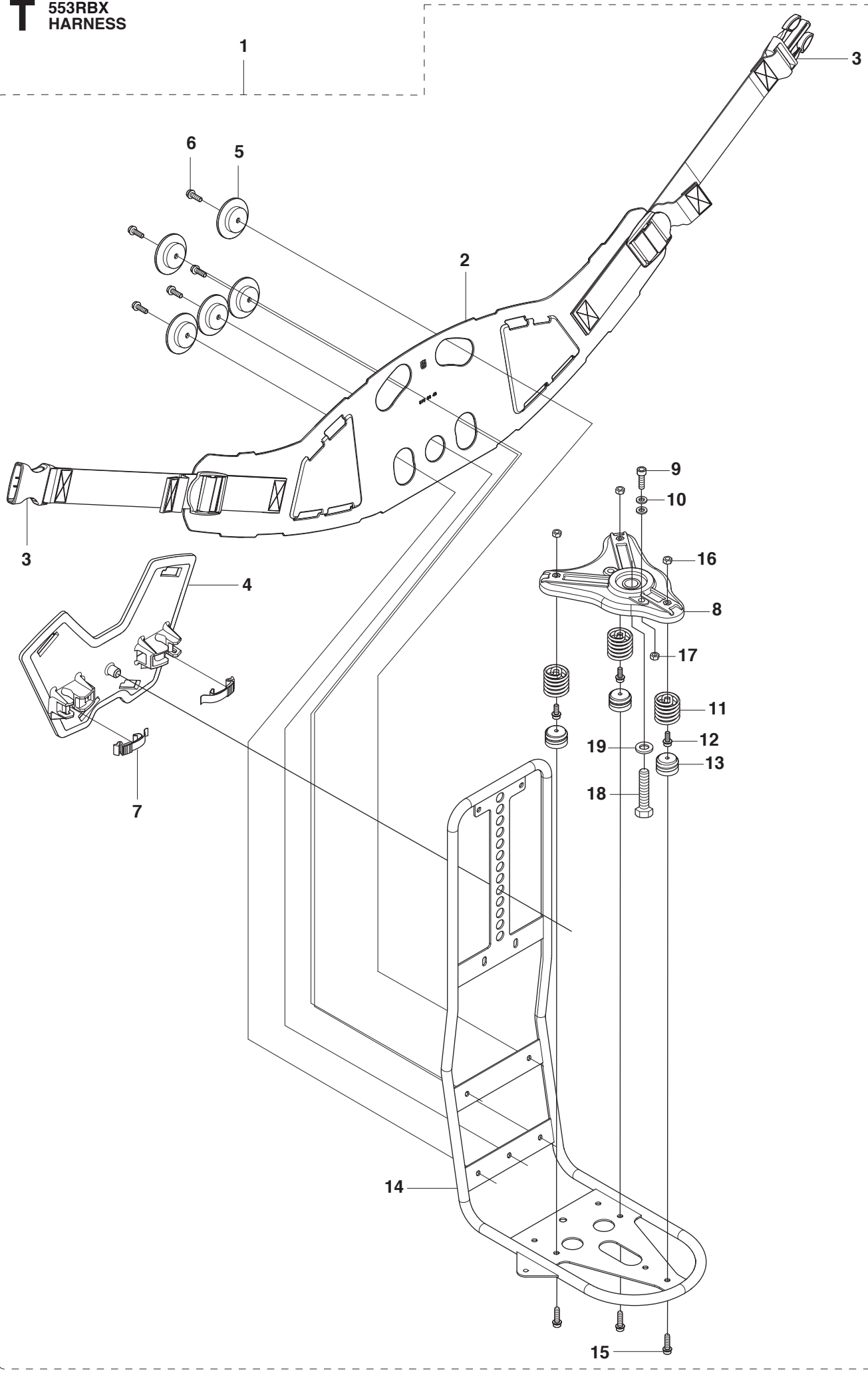
| Position | Article      | Quantity | Notes | Kit |
|----------|--------------|----------|-------|-----|
| 1        | 506 68 61-01 | 1        |       |     |
| 2        | 505 31 20-01 | 1        |       |     |
| 3        | 516 15 38-01 | 1        |       |     |
| 4        | 544 35 91-01 | 1        |       |     |
| 5        | 516 01 45-01 | 1        |       |     |
| 6        | 531 00 92-48 | 1        |       |     |
| 7        | 503 97 64-01 | 1        |       |     |
| 8        | 501 19 22-01 | 1        |       |     |

1



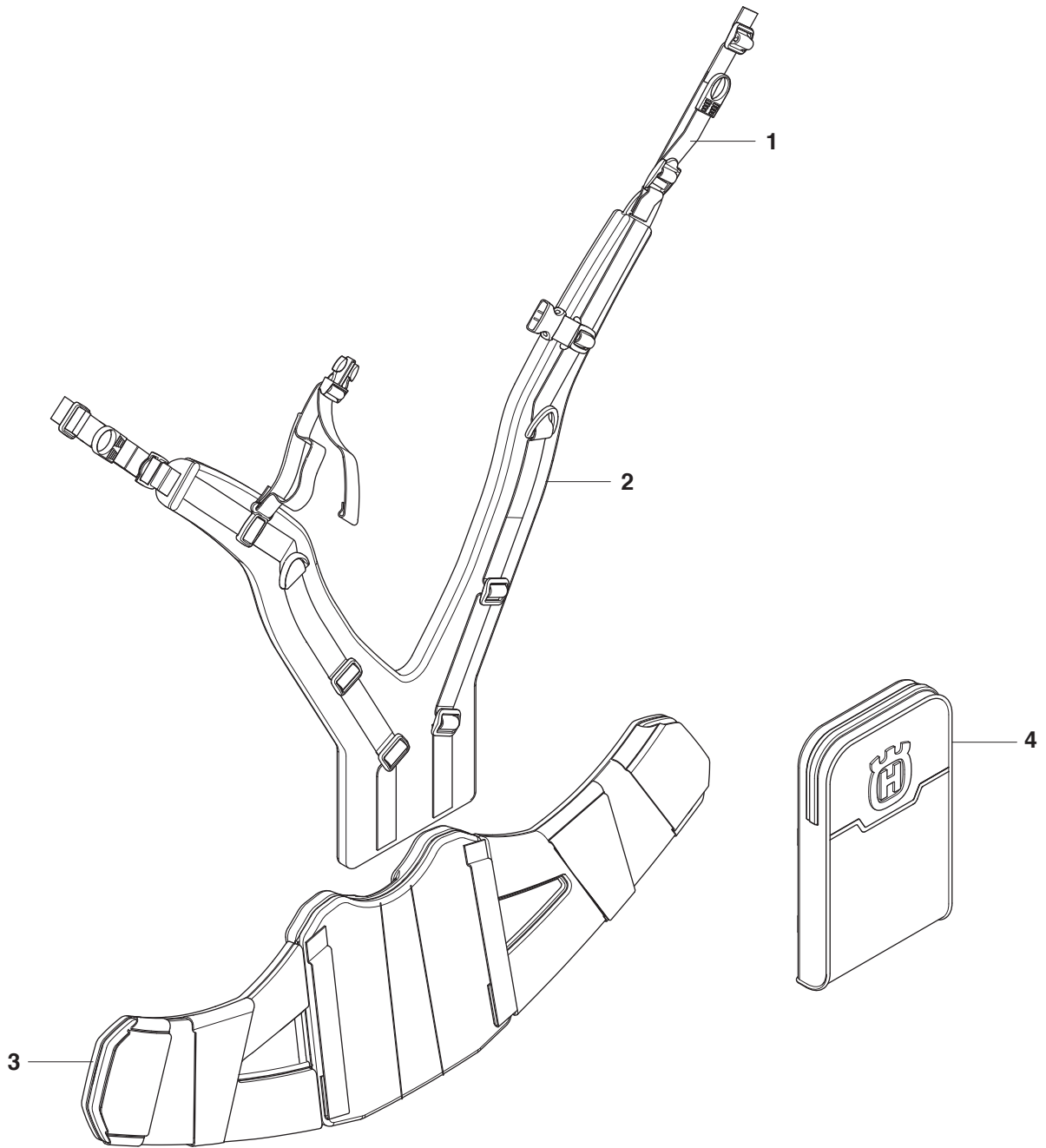
| <b>Position</b> | <b>Article</b> | <b>Quantity</b> | <b>Notes</b> | <b>Kit</b> |
|-----------------|----------------|-----------------|--------------|------------|
| 1               | 537 33 16-03   | 1               |              |            |
| 2               | 537 39 63-03   | 1               |              | 1          |
| 3               | 503 21 68-25   | 1               |              | 1,2        |
| 4               | 503 79 88-01   | 1               |              | 1,2        |
| 5               | 544 12 45-01   | 1               |              | 1,2        |
| 6               | 537 38 72-01   | 4               |              | 1,2        |

**T** 553RBX  
HARNESS



| Position | Article      | Quantity | Notes | Kit |
|----------|--------------|----------|-------|-----|
| 1        | 521 99 18-01 | 1        |       |     |
| 2        | 522 48 74-01 | 1        |       | 1   |
| 3        | 537 33 15-01 | 1        |       | 1   |
| 4        | 521 99 14-01 | 1        |       | 1   |
| 5        | 521 88 77-01 | 5        |       | 1   |
| 6        | 503 21 75-72 | 5        |       | 1   |
| 7        | 503 74 01-02 | 2        |       | 1   |
| 8        | 522 48 39-01 | 1        |       | 1   |
| 9        | 725 53 70-06 | 1        |       | 1   |
| 10       | 731 23 16-01 | 1        |       | 1   |
| 11       | 522 02 88-01 | 3        |       | 1   |
| 12       | 503 20 03-12 | 3        |       | 1   |
| 13       | 521 91 03-01 | 3        |       | 1   |
| 14       | 510 36 36-01 | 1        |       | 1   |
| 15       | 503 21 06-19 | 3        |       | 1   |
| 16       | 731 23 14-01 | 3        |       | 1   |
| 17       | 731 23 16-01 | 1        |       | 1   |
| 18       | 725 24 93-71 | 1        |       | 1   |
| 19       | 734 11 72-01 | 1        |       | 1   |

**U** 553RBX  
HARNESS



| <b>Position</b> | <b>Article</b> | <b>Quantity</b> | <b>Notes</b> | <b>Kit</b> |
|-----------------|----------------|-----------------|--------------|------------|
| 1               | 503 99 61-08   | 1               |              |            |
| 2               | 522 92 07-01   | 1               |              |            |
| 3               | 510 36 42-01   | 1               |              |            |
| 4               | 575 69 29-01   | 1               |              |            |