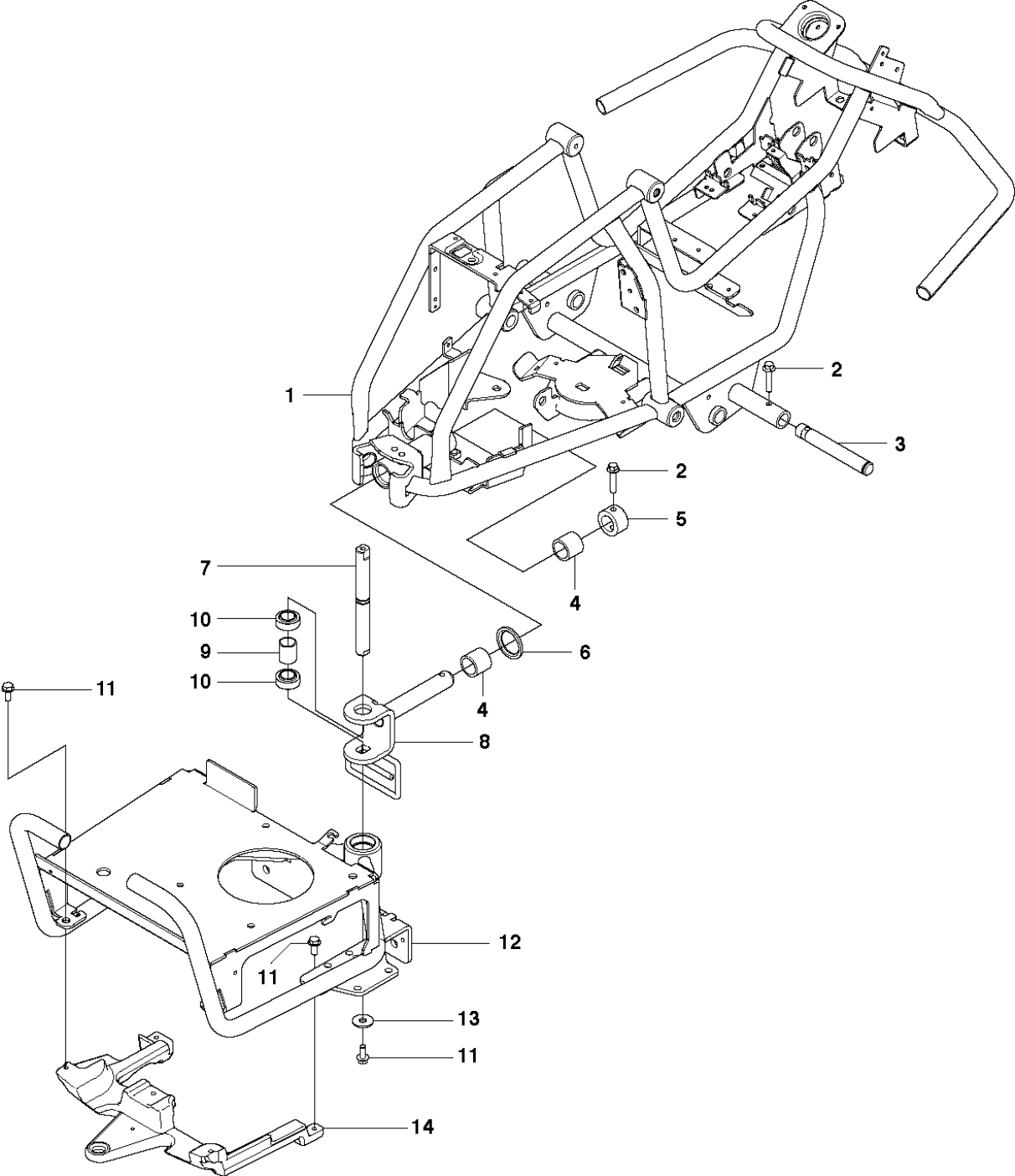




SPARE PARTS LIST

RIDERS

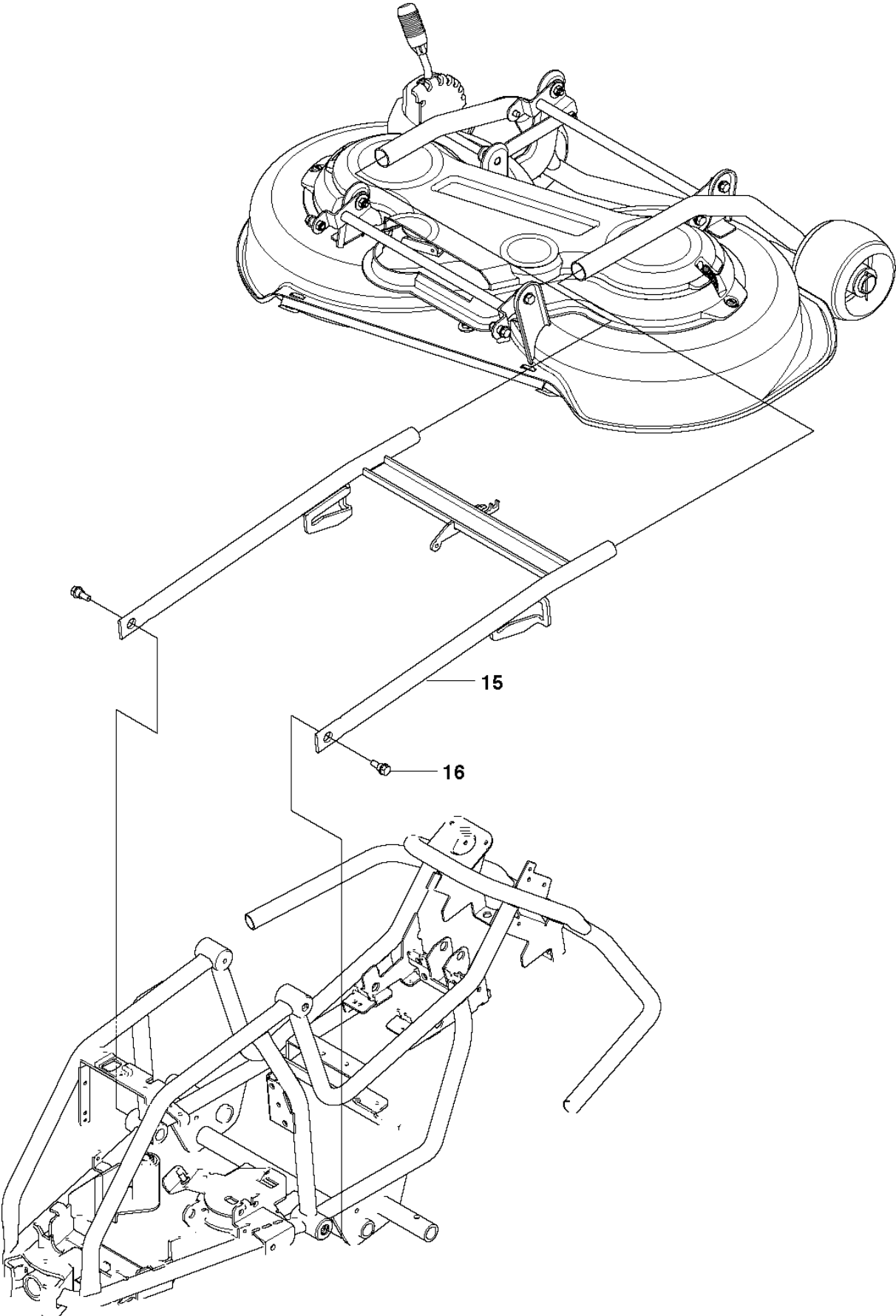
RIDER 111 B, 965996885, 2010-07



CHASSIS / FRAME

RIDER 111 B, 965996885, 2010-07

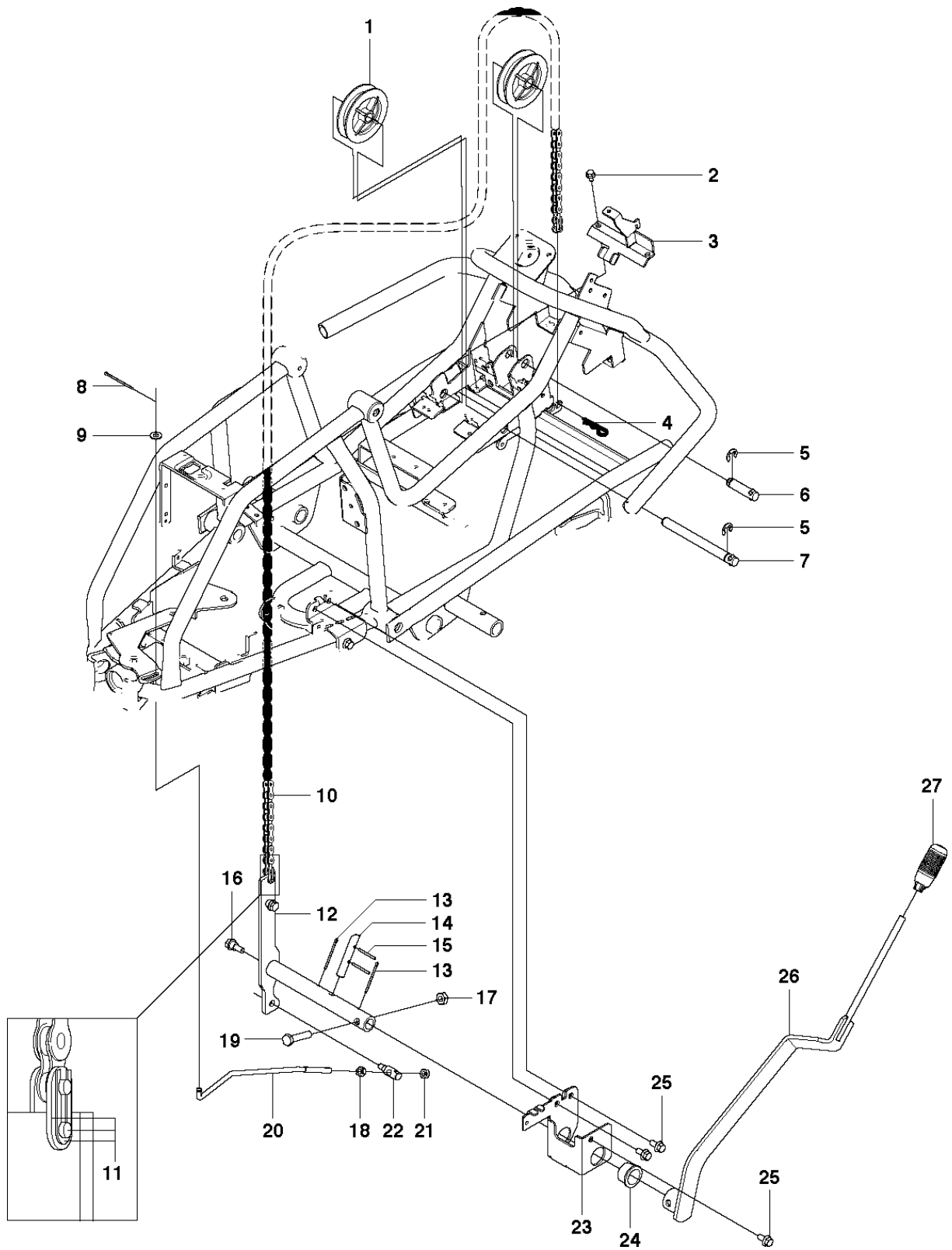
Ref	Part No	Description	Remark	QTY KIT
1	522 41 61-01	FRAME		1
2	725 24 59-61	SCREW EHHFT		3
3	535 47 08-01	WHEEL AXLE		2
4	506 98 61-01	GLIDLAGER		2
5	522 42 52-01	STOP SLEEVE		1
6	522 42 53-01	SPACER		1
7	522 42 46-01	SHAFT		1
8	522 42 47-01	SWING AXLE		1
9	522 42 45-01	SLEEVE		1
10	574 36 85-01	BEARING		2
11	506 57 01-04	SCREW EHHFM		5
12	522 42 31-01	FRAME		1
13	734 11 74-41	WASHER		1
14	525 35 23-01	COUNTERWEIGHT		1



CHASSIS / FRAME

RIDER 111 B, 965996885, 2010-07

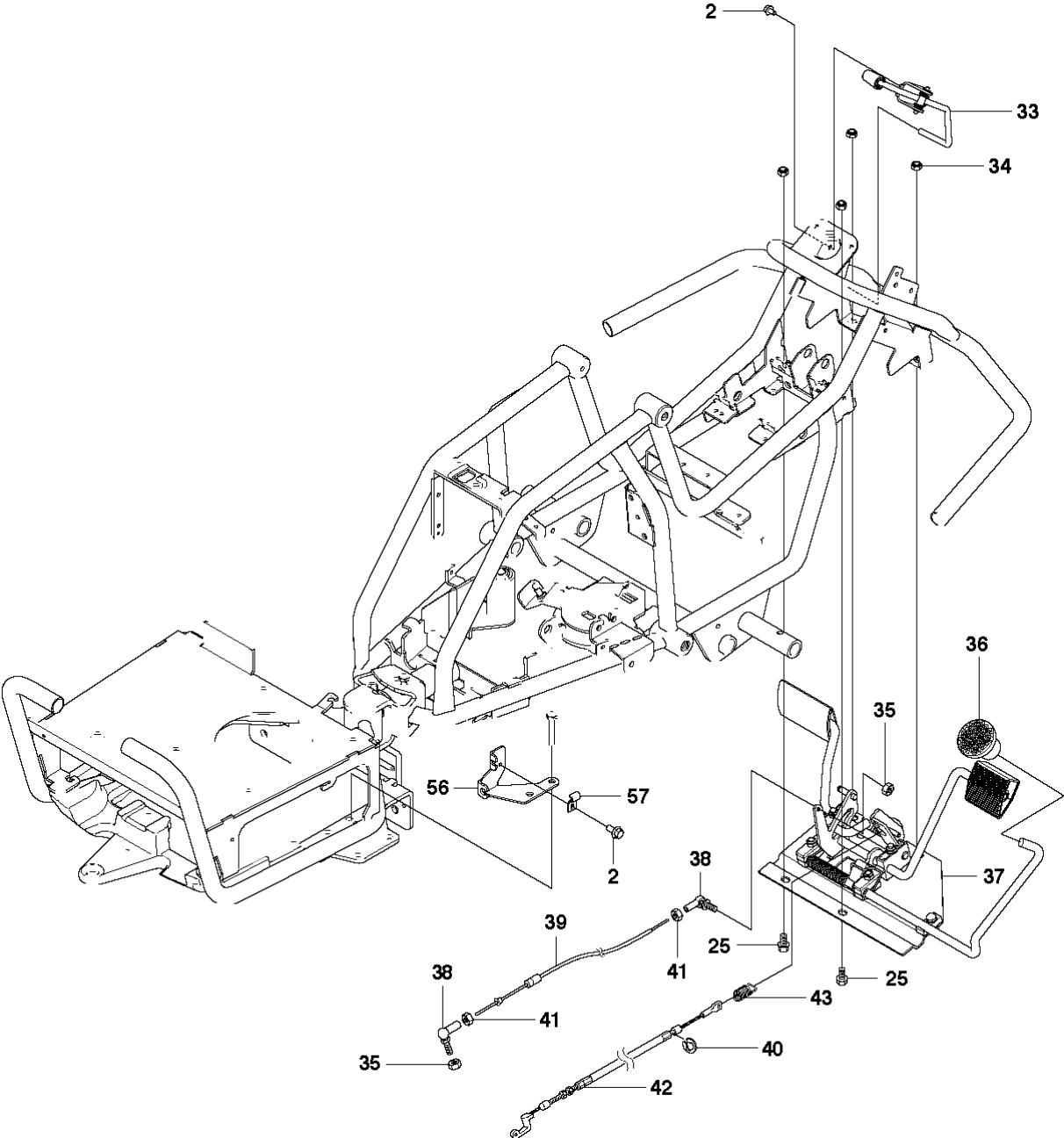
Ref	Part No	Description	Remark	QTY KIT
15	522 45 15-01	EQUIPMENT FRAME		1
16	506 89 58-01	COLLAR SCREW		2



CONTROLS

RIDER 111 B, 965996885, 2010-07

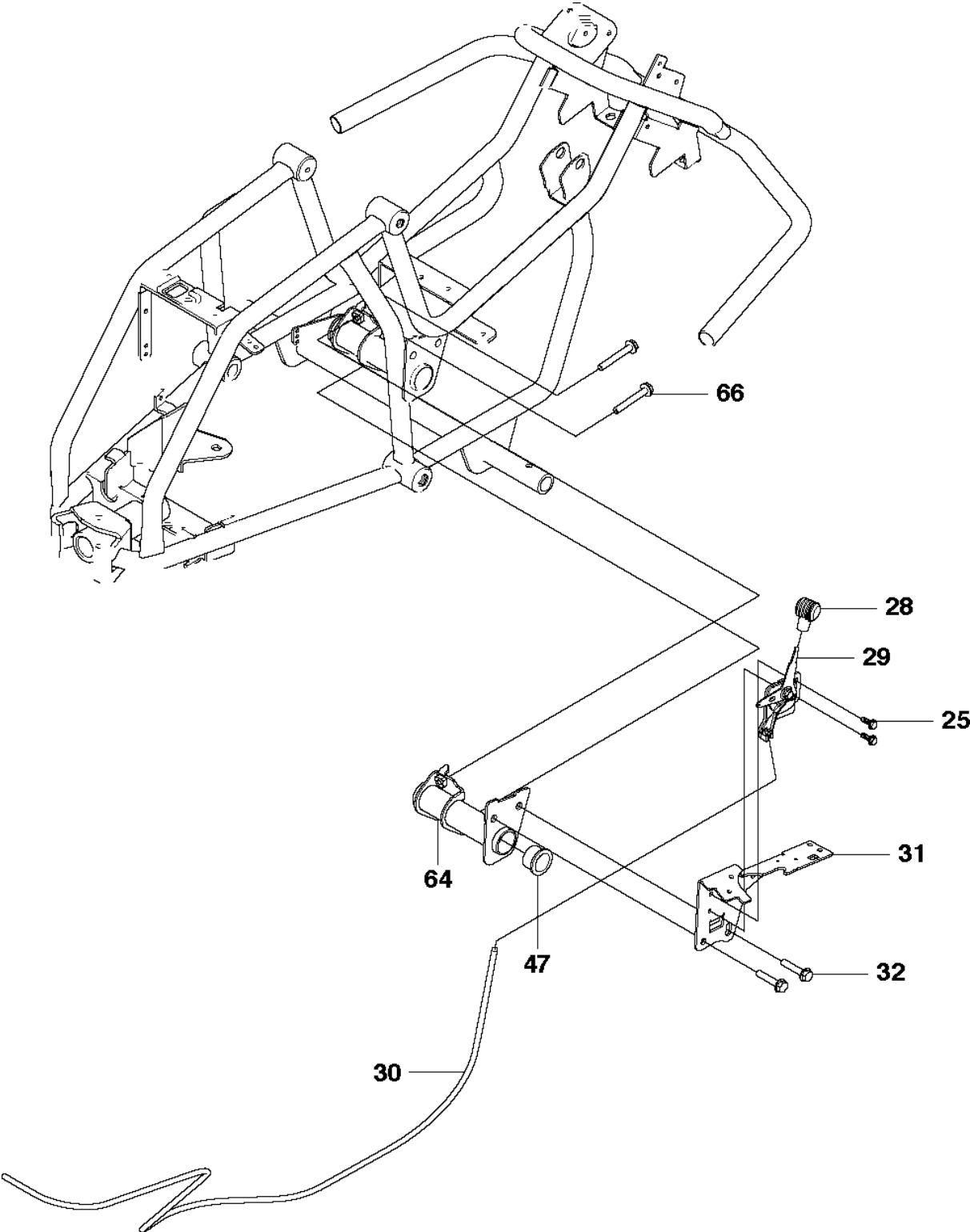
Ref	Part No	Description	Remark	QTY KIT
1	506 90 56-01	OFFSET PULLEY		2
2	725 23 64-61	SCREW EHHFT		7
3	574 31 58-01	BRACKET		1
4	721 68 02-51	SPRING COTTER		1
5	735 31 18-20	E-CLIP		2
6	525 40 45-01	SHAFT		1
7	525 40 44-01	SHAFT		1
8	721 61 83-01	SPLIT PIN		1
9	734 11 64-01	WASHER		2
10	506 55 46-11	CHAIN		1
11	506 55 47-01	LINKAGE		1
12	522 56 02-01	LEVER ASSY		1
13	721 61 87-01	SPLIT PIN		1
14	506 90 53-01	PEN		1
15	721 12 59-30	GROOVED PIN		1
16	506 59 74-01	SCREW EHHFM		1
17	732 21 20-51	NUT		1
18	731 23 18-01	HEXAGON NUT		1
19	725 25 00-51	SCREW EHHM		1
20	522 56 01-01	ROD		1
21	732 21 18-01	LOCK NUT		1
22	525 49 13-01	JOINT		1
23	525 40 47-01	BRACKET		1
24	506 55 65-01	BEARING		1
25	506 57 01-03	SCREW EHHFM		10
26	522 50 83-01	LEVER		1
27	506 54 20-01	HANDLE		1



CONTROLS

RIDER 111 B, 965996885, 2010-07

Ref	Part No	Description	Remark	QTY KIT
2	725 23 64-61	SCREW EHHFT		7
25	506 57 01-03	SCREW EHHFM		10
33	523 34 60-01	LOCKING LEVER		1
34	506 91 62-01	BLIND RIVET NUT		4
35	731 23 14-01	HEXAGON NUT		2
36	535 47 37-01	KNOB		1
37	544 12 60-01	PEDAL PLATE ASSY		1
38	506 55 73-01	VINKELL.AS8 DIN71802		2
39	574 41 11-05	CONTROL CABLE		1
40	735 31 09-20	E-CLIP		1
41	732 21 14-01	LOCK NUT		2
42	574 40 76-01	WIRE		1
43	575 35 52-01	SPRING		1
56	522 82 31-01	WIRE HOLDER		1
57	506 56 65-01	CLIP		2

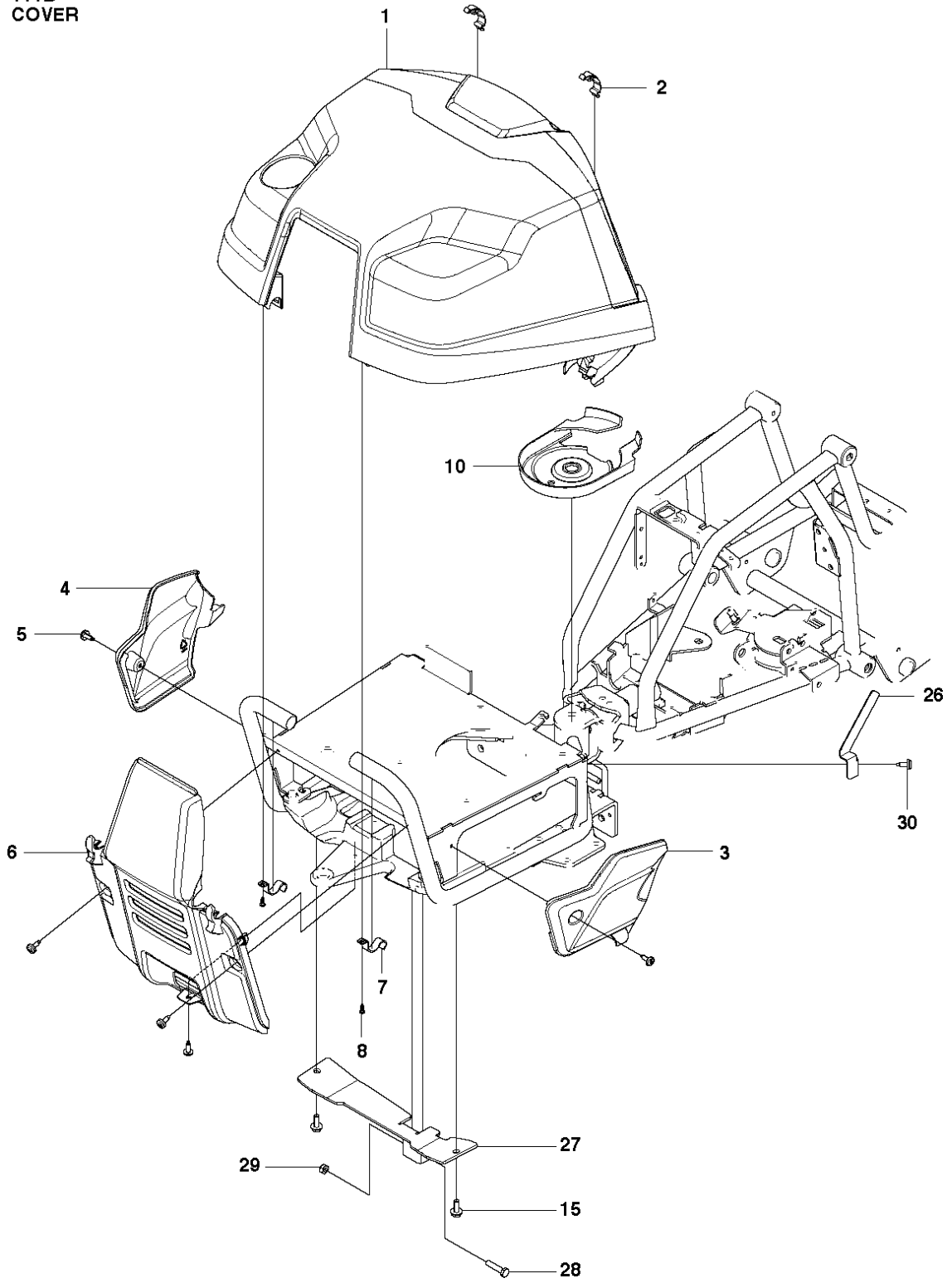


CONTROLS

RIDER 111 B, 965996885, 2010-07

Ref	Part No	Description	Remark	QTY KIT
25	506 57 01-03	SCREW EHHFM		10
28	506 88 91-01	KNOB		1
29	522 50 59-01	THROTTLE CONTROL		1
30	544 30 17-04	WIRE		1
31	575 24 03-01	SHEET		1
32	506 57 01-04	SCREW EHHFM		2
47	535 48 02-01	ROLLER		1
64	574 36 97-01	BRACKET		1
66	725 24 60-71	SCREW EHHM		1

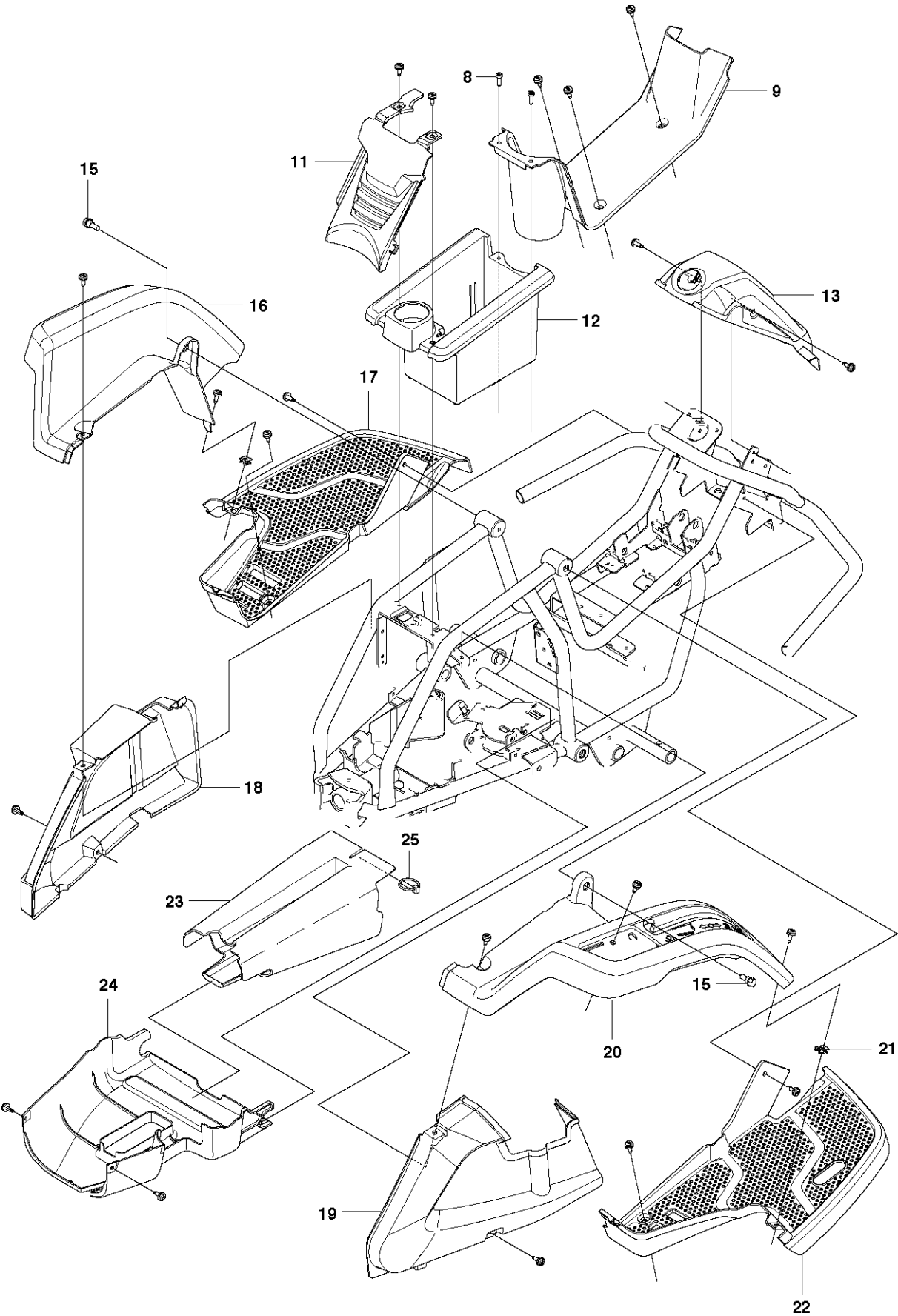
B1 111B
COVER



COVER

RIDER 111 B, 965996885, 2010-07

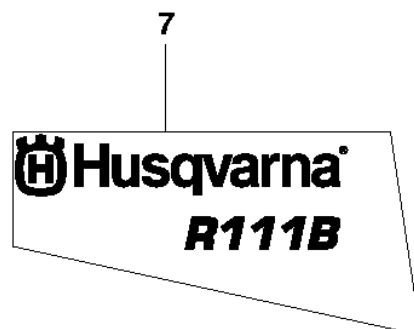
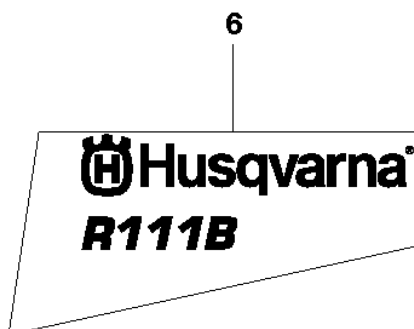
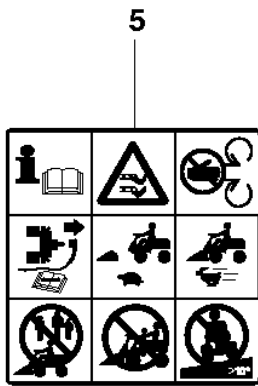
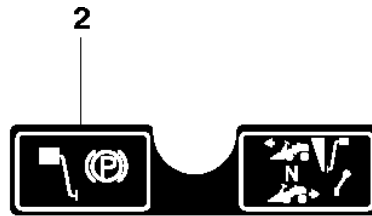
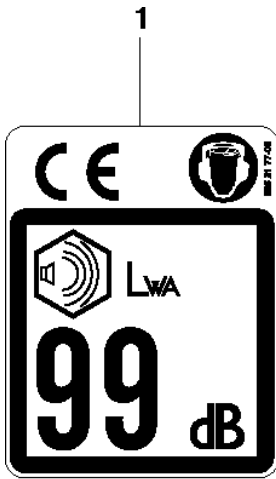
Ref	Part No	Description	Remark	QTY KIT
1	522 82 80-01	ENGINE HOOD ASSY		1
2	503 89 47-01	SNAP		2
3	525 49 78-01	COVER		1
4	525 49 79-01	COVER		1
5	544 40 05-01	SCREW		27
6	522 60 21-01	SKID PLATE		1
7	525 88 11-01	SHEET		2
8	503 21 74-16	SCREW IHSCT		4
10	522 50 81-01	COVER		1
15	506 57 01-04	SCREW EHHFM		1
26	575 35 49-01	BRACKET		1
27	575 45 31-01	BRACKET		1
28	535 42 38-02	SCREW RSQM		1
29	732 21 18-01	LOCK NUT		1
30	544 40 05-01	SCREW		1



COVER

RIDER 111 B, 965996885, 2010-07

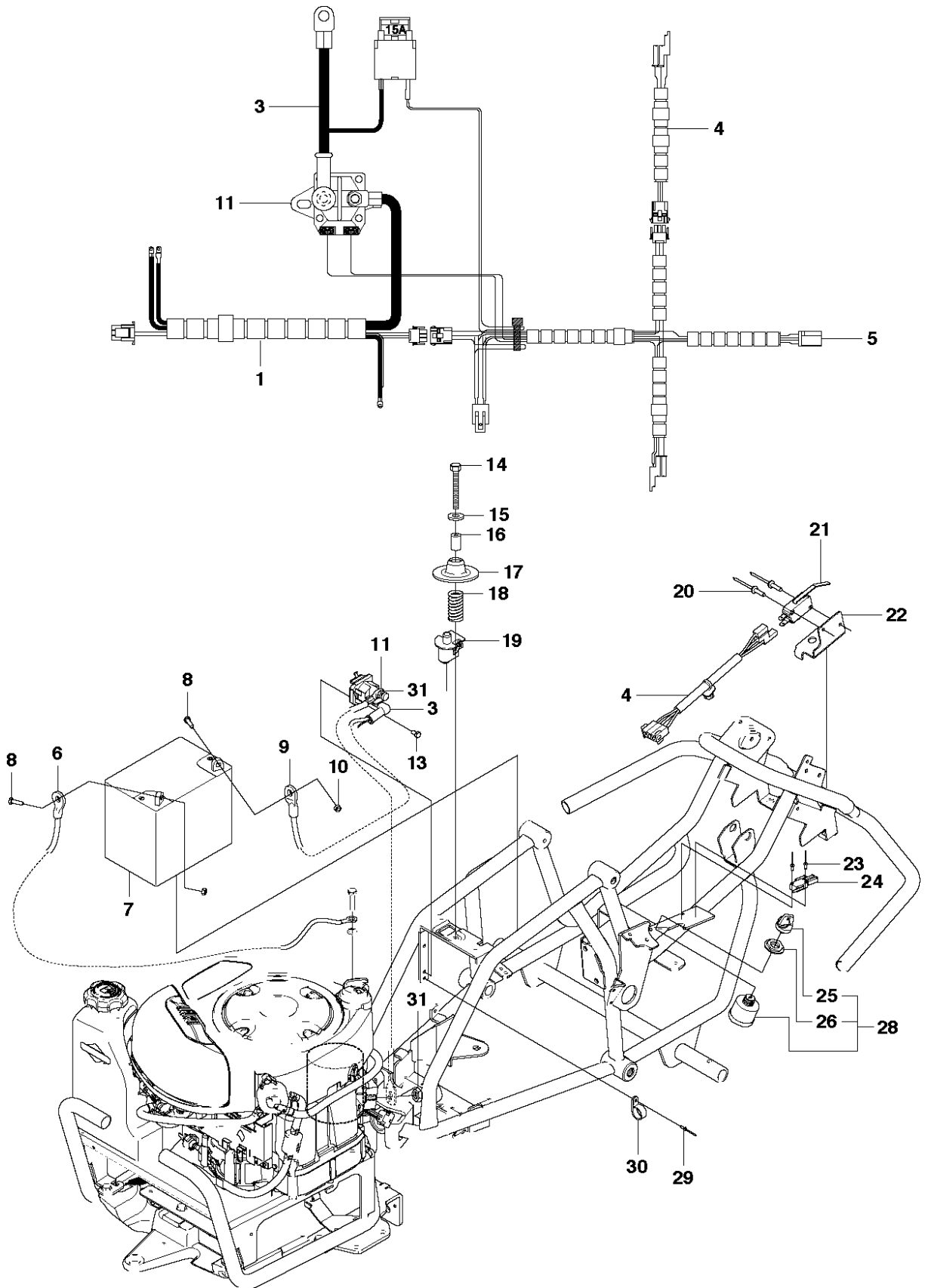
Ref	Part No	Description	Remark	QTY KIT
8	503 21 74-16	SCREW IHSCT		4
9	522 60 18-01	COVER		1
11	525 47 79-01	COVER		1
12	525 47 78-01	BATTERY BOX		1
13	575 83 92-01	COVER		1
15	506 57 01-04	SCREW EHHFM		2
16	521 89 07-01	COVER		1
17	521 88 91-01	FOOT PLATE		1
18	522 60 19-01	COVER		1
19	522 60 20-01	COVER		1
20	521 88 93-01	CONTROL PANEL		1
21	535 42 91-01	SPRING NUT		2
22	521 88 92-01	FOOT PLATE		1
23	525 39 61-01	COVER		1
24	575 75 14-01	COVER		1
25	574 60 08-01	SPRINT		1



DECALS

RIDER 111 B, 965996885, 2010-07

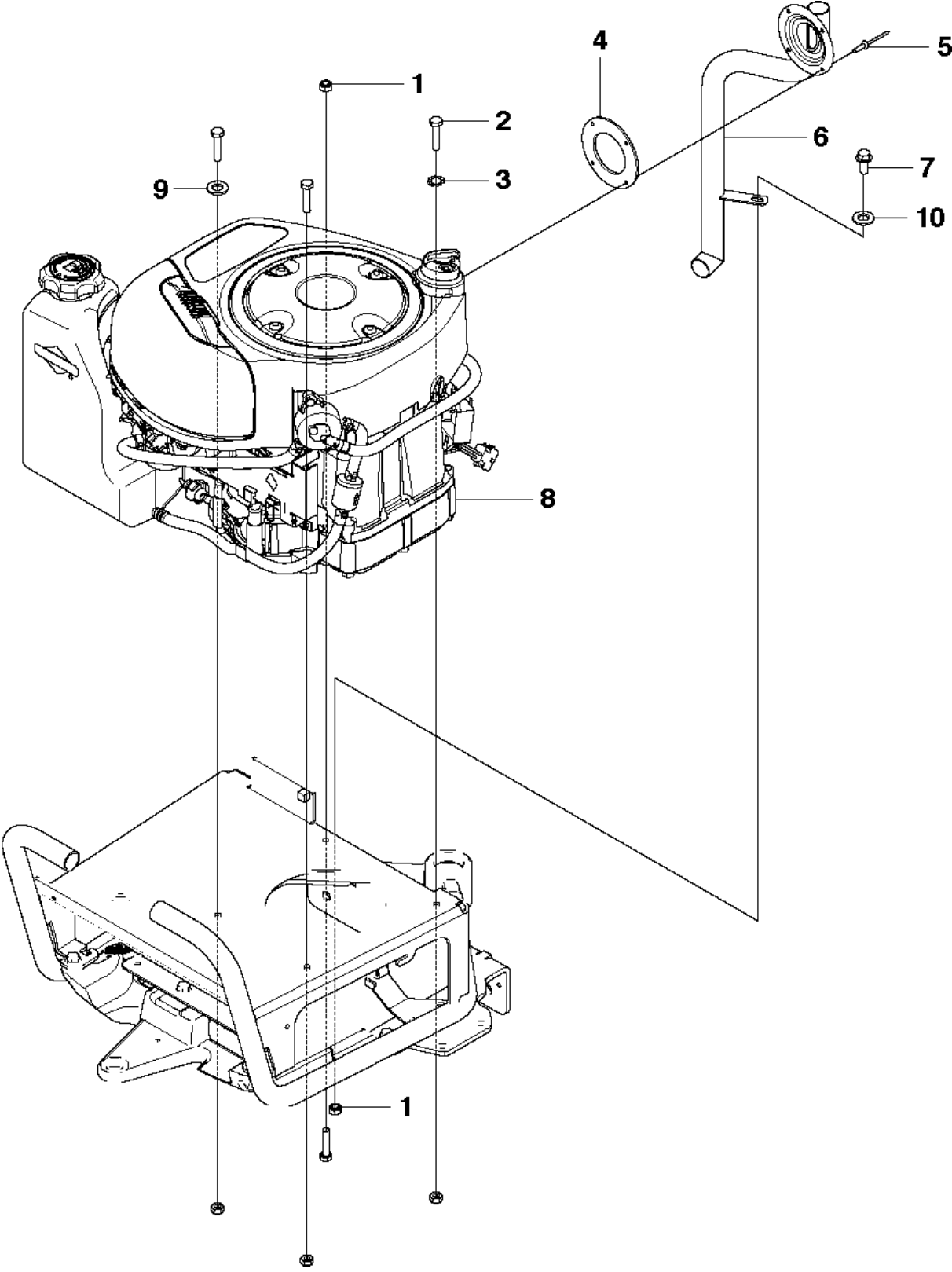
Ref	Part No	Description	Remark	QTY KIT
1	505 21 77-05	LABEL		1
2	574 85 46-01	DECAL		1
3	575 22 27-01	DECAL		1
4	574 38 21-01	DECAL		1
5	574 85 48-01	DECAL		1
6	575 25 30-02	DECAL		1
7	575 25 30-01	DECAL		1



ELECTRICAL

RIDER 111 B, 965996885, 2010-07

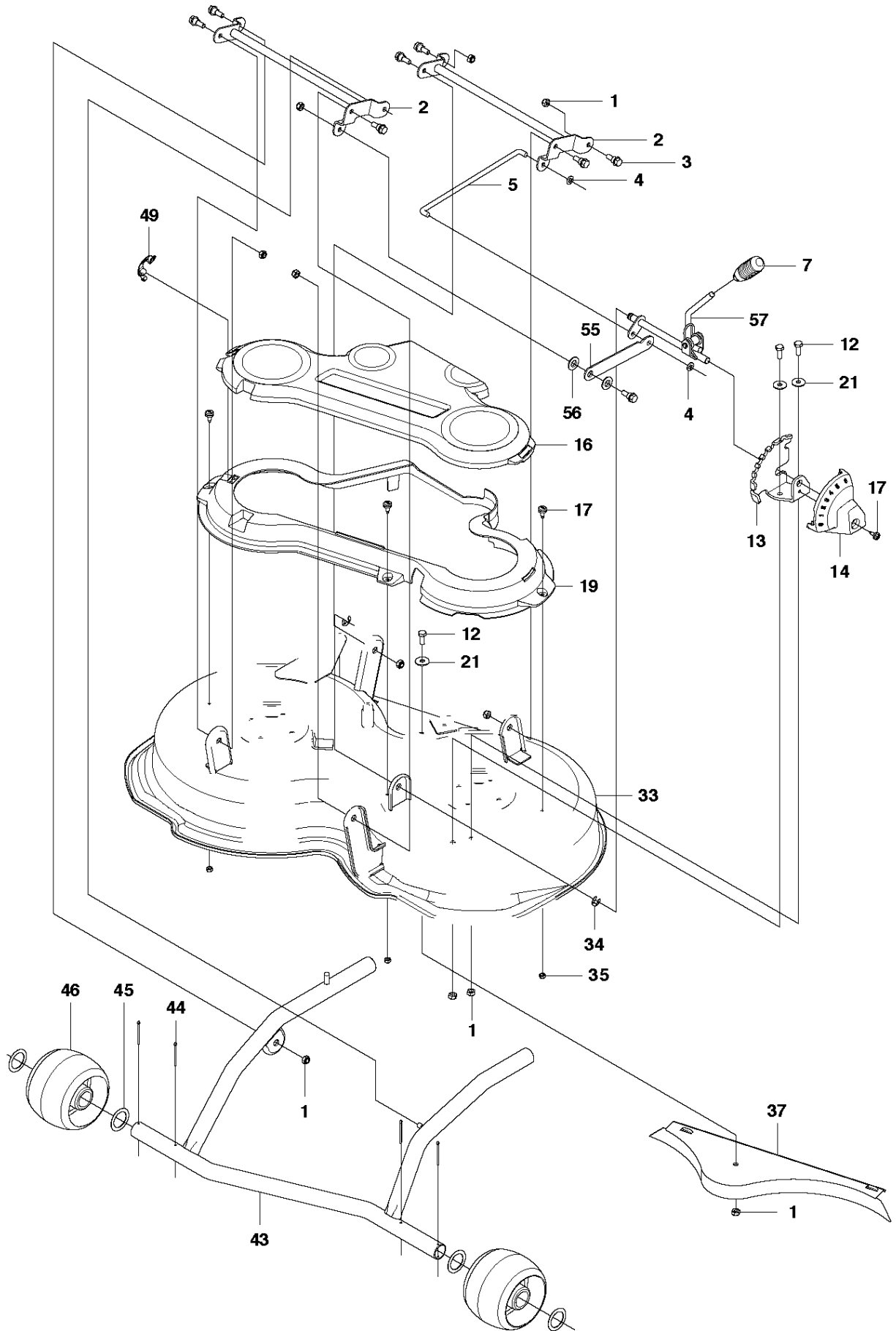
Ref	Part No	Description	Remark	QTY	KIT
1	574 26 97-01	WIRING		1	
3	574 26 98-01	CABLE		1	
4	574 26 96-01	WIRING		1	
5	574 26 95-01	WIRING		1	
7	510 13 85-01	BATTERY		1	
8	522 62 21-01	SCREW EHHM		2	
10	522 62 43-01	NUT		2	
11	544 43 98-01	RELAY		1	
13	725 23 64-61	SCREW EHHFT		1	
14	725 24 60-51	SCREW EHHM		1	
16	506 90 99-02	SPACING TUBE		1	
17	506 90 97-01	SPRING WASHER		1	
18	544 44 12-01	SPRING		1	
19	506 90 96-01	SWITCH		1	
20	544 44 07-01	RIVET		2	
21	574 31 61-01	SWITCH		1	
22	544 41 57-01	BRACKET		1	
23	544 44 07-01	RIVET		2	
24	574 31 61-01	SWITCH		1	
25	544 44 24-01	IGNITION KEY		1	
26	544 44 23-01	NUT		1	28
28	544 44 21-01	IGNITION SWITCH		1	28
29	722 79 54-02	RIVET		1	
30	575 26 99-01	CABLE CLAMP		1	
31	506 89 98-01	NUT		3	



ENGINE

RIDER 111 B, 965996885, 2010-07

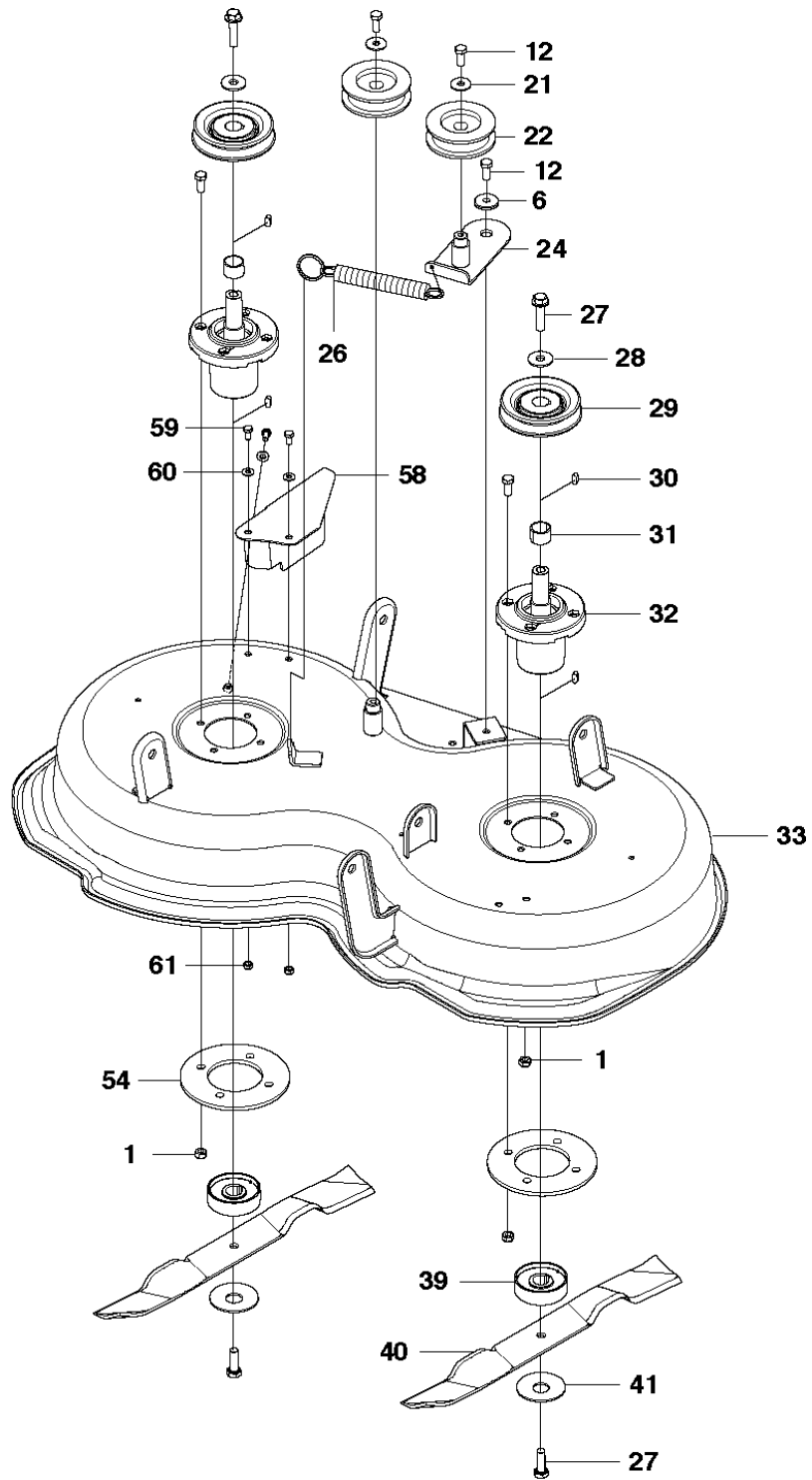
Ref	Part No	Description	Remark	QTY KIT
1	732 21 18-01	LOCK NUT		5
2	725 24 57-51	SCREW		4
3	735 21 64-00	LOCKWASHER		1
4	575 79 52-01	GASKET		1
5	722 79 26-09	RIVET		4
6	522 60 34-01	EXHAUST PIPE ASSY		1
7	506 57 01-04	SCREW EHHFM		1
8	574 37 19-01	ENGINE		1
9	734 11 64-01	WASHER		3
10	734 11 64-41	WASHER		1



MOWER DECK / CUTTING DECK

RIDER 111 B, 965996885, 2010-07

Ref	Part No	Description	Remark	QTY	KIT
1	732 21 18-01	LOCK NUT		16	
2	522 45 09-01	CROSS BAR		2	
3	506 59 74-01	SCREW EHHFM		8	
4	735 58 52-00	WASHER		2	
5	522 60 23-01	ROD		1	
7	574 32 88-01	HANDLE		1	
12	725 24 53-71	SCREW EHHM		15	
13	522 52 32-01	BRACKET		1	
14	573 97 18-01	COVER		1	
16	574 17 21-01	COVER		1	
17	506 67 54-02	SCREW EHHFM		4	
19	574 17 20-01	COVER		1	
21	506 91 87-02	WASHER		5	
33	586 14 70-01	CUTTING DECK		1	Assy
34	735 31 15-20	E-CLIP		2	
35	732 21 16-01	NUT		3	
37	574 04 17-01	PLUG		1	
43	522 45 19-01	EQUIPMENT FRAME		1	
44	721 61 87-01	SPLIT PIN		4	
45	574 26 45-01	WASHER		4	
46	522 73 59-01	WHEEL		2	
49	503 89 47-01	SNAP		1	
55	525 85 57-01	ARM		1	
56	734 11 65-41	WASHER		2	
57	575 80 21-01	LEVER ASSY		1	



20

BioClip® 85

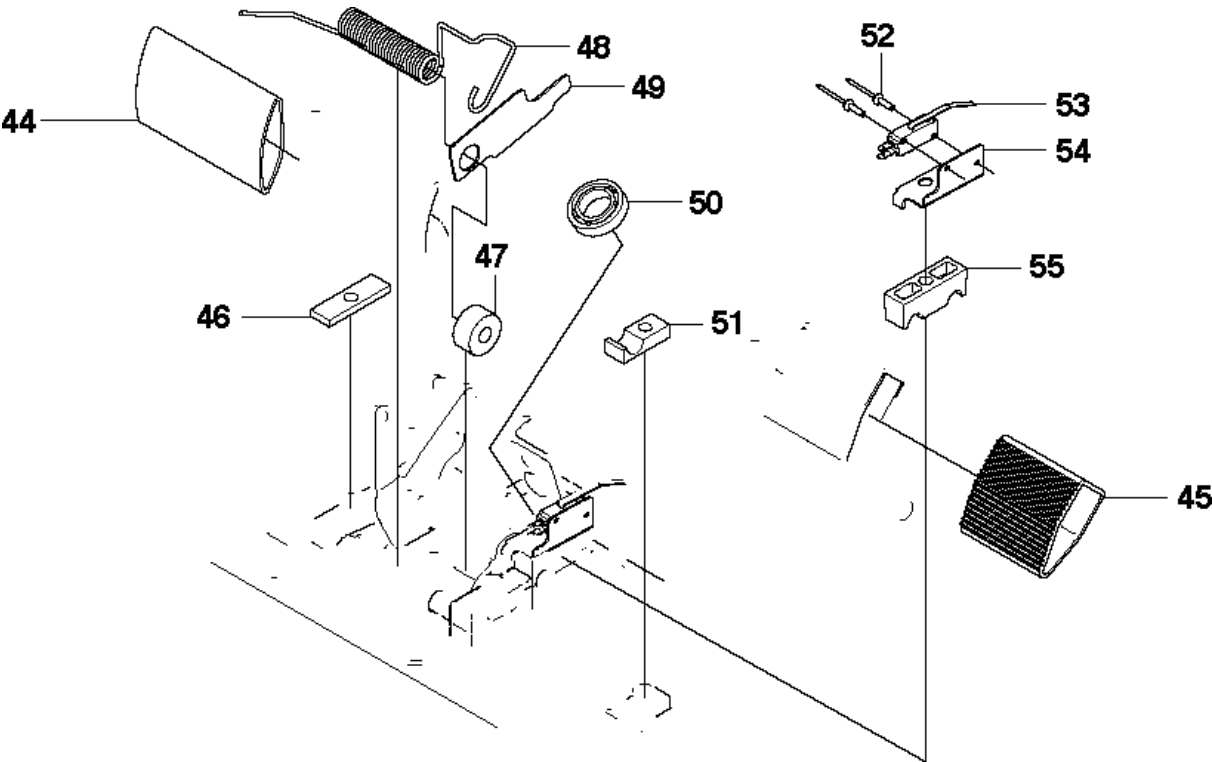
23



MOWER DECK / CUTTING DECK

RIDER 111 B, 965996885, 2010-07

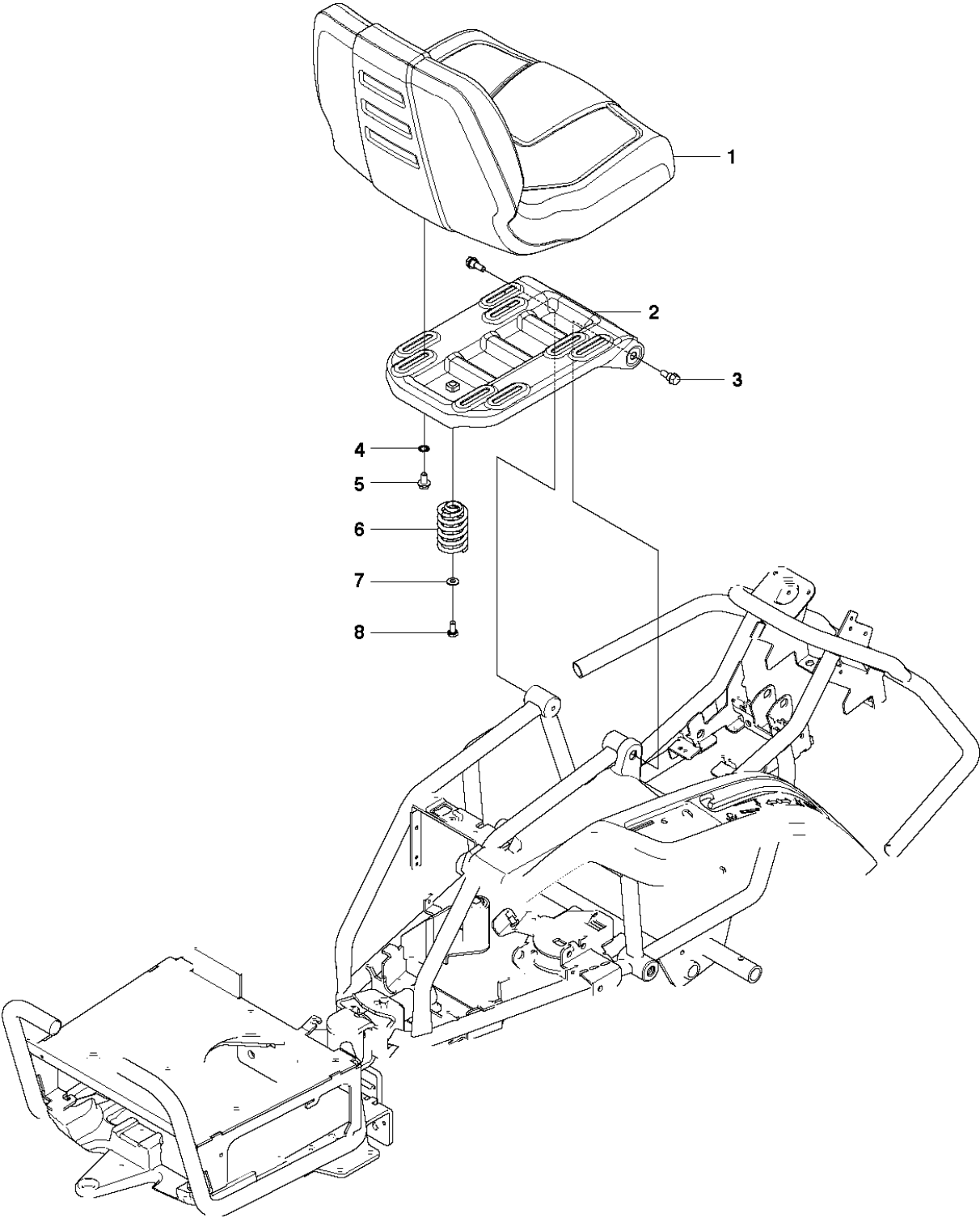
Ref	Part No	Description	Remark	QTY KIT
1	732 21 18-01	LOCK NUT		16
6	506 91 87-02	WASHER		1
12	725 24 53-71	SCREW EHHM		15
20	574 84 97-01	DECAL		1
21	506 91 87-02	WASHER		5
22	506 79 32-02	BELT TENSIONER WHEEL		2
23	574 51 00-01	DECAL		2
24	573 96 95-01	BELT TENSIONER		1
26	584 29 88-01	SPRING		1
27	544 40 05-01	SCREW		4
28	734 11 77-71	WASHER		2
29	574 46 07-01	PULLEY		2
30	506 53 35-01	PARALLEL KEY		4
31	573 96 65-01	TUBE		2
32	573 96 86-01	BEARING HOUSING ASSY		2
33	522 45 00-01	CUTTING DECK		1
39	573 96 61-01	ADAPTER		2
40	522 44 95-01	BLADE		2
41	506 79 23-01	KNIFE PLATE		2
54	575 55 33-01	WASHER		2
58	576 20 90-01	SHEET		1
59	725 23 66-71	SCREW EHHM		3
60	734 11 56-01	WASHER		3
61	732 21 16-01	NUT		3



PEDALS

RIDER 111 B, 965996885, 2010-07

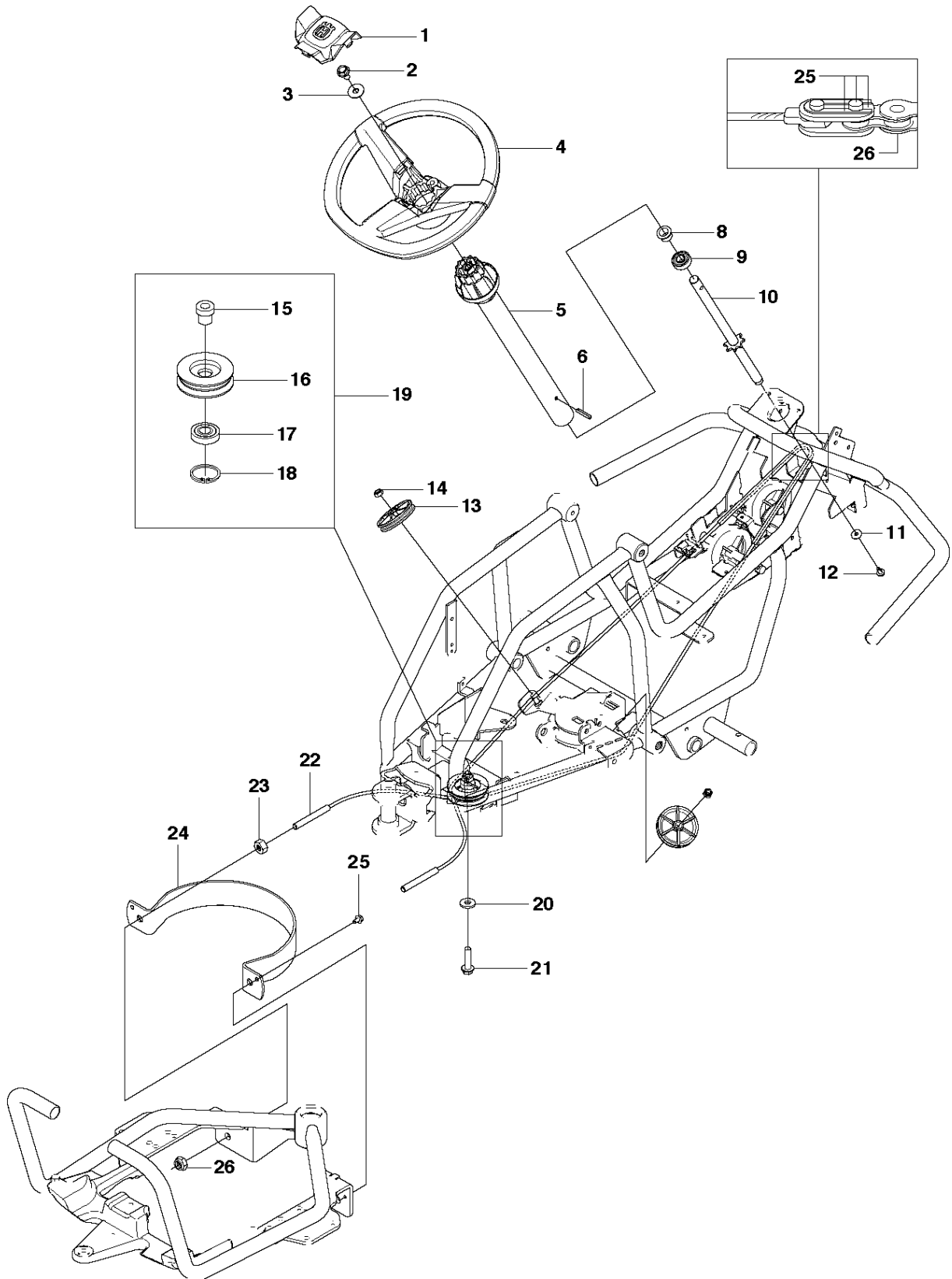
Ref	Part No	Description	Remark	QTY KIT
44	535 47 88-02	PEDAL RUBBER		1
45	535 47 88-01	PEDAL RUBBER		1
46	535 48 10-01	REINFORCEMENT PLATE		3
47	535 48 02-01	ROLLER		1
48	535 48 07-01	SPRING		1
49	535 48 06-01	PROTECTIVE PLATE		1
50	738 21 02-04	BALL BEARING		1
51	535 48 09-01	BEARING SUPPORT		5
52	544 44 07-01	RIVET		2
53	574 31 61-01	SWITCH		1
54	544 41 57-01	BRACKET		1
55	535 48 08-01	BEARING SUPPORT		4



SEAT

RIDER 111 B, 965996885, 2010-07

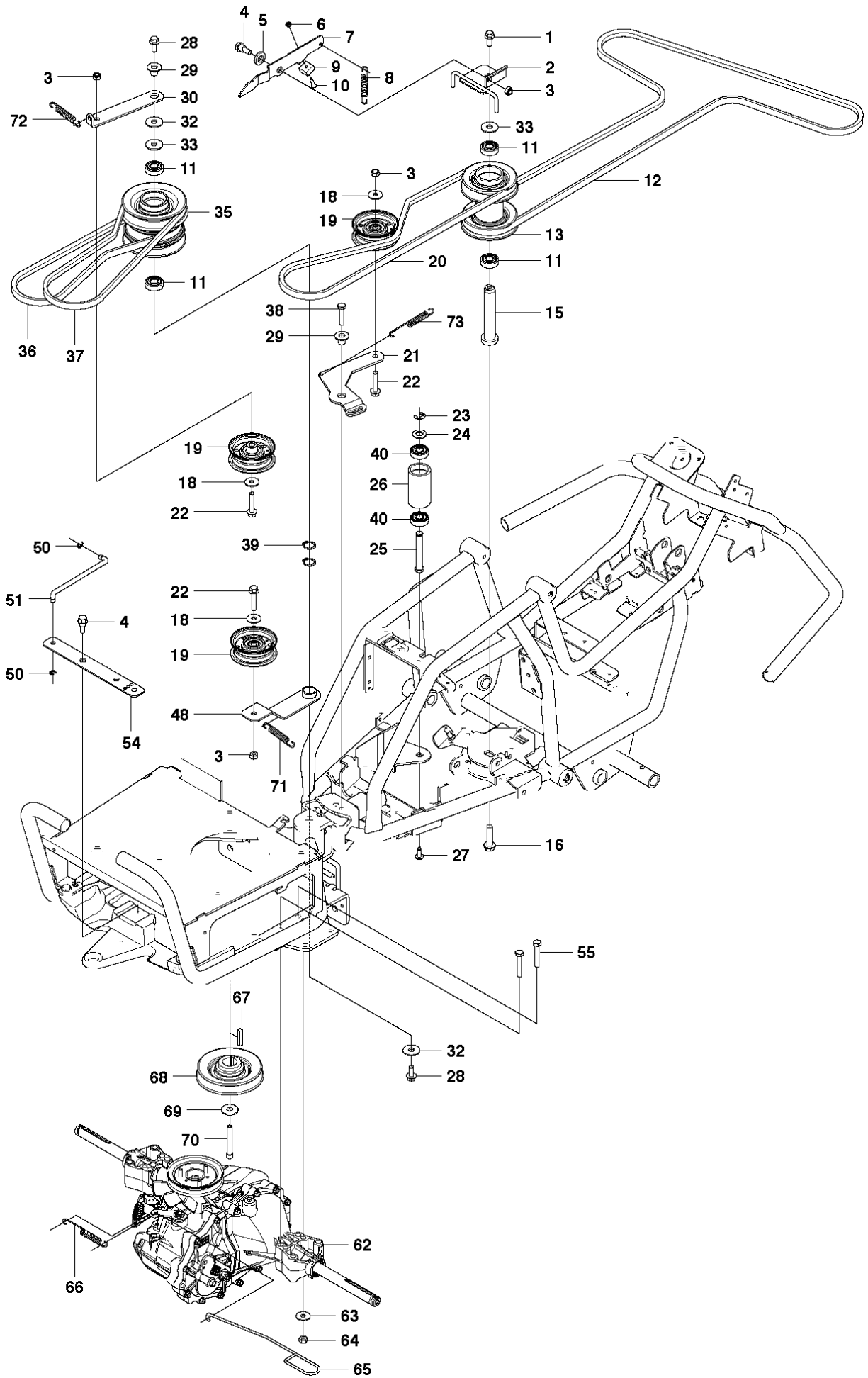
Ref	Part No	Description	Remark	QTY KIT
1	525 81 48-01	SEAT		1
2	522 77 51-01	SEAT BRACKET		1
3	506 59 74-01	SCREW EHHFM		2
4	735 21 64-00	LOCKWASHER		4
5	506 57 01-03	SCREW EHHFM		4
6	506 91 53-01	COMPRESSION SPRING		1
7	734 11 74-41	WASHER		1
8	725 24 93-71	SCREW EHHM		1



STEERING

RIDER 111 B, 965996885, 2010-07

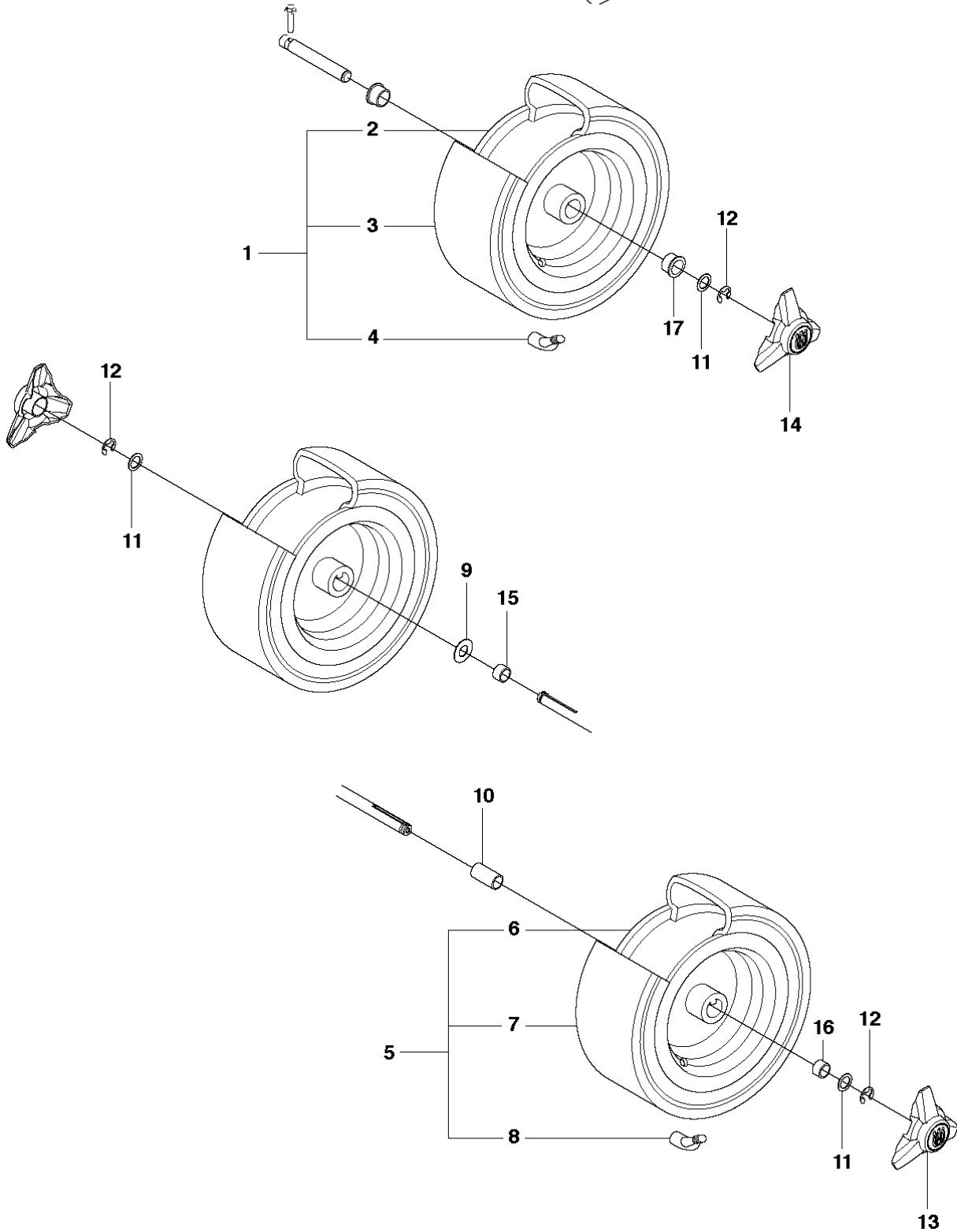
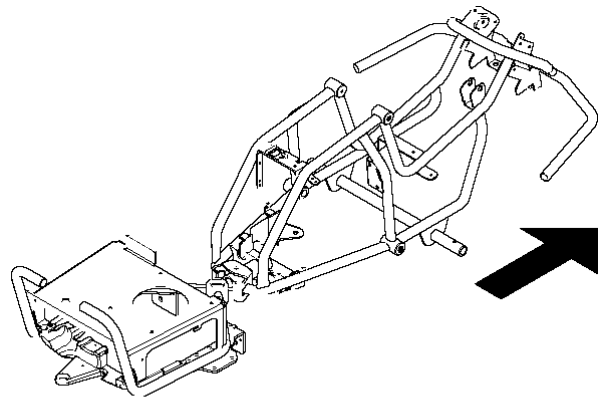
Ref	Part No	Description	Remark	QTY KIT
1	532 41 59-87	KNOB		1
2	725 24 97-51	SCREW		1
3	574 37 92-01	WASHER		1
4	532 41 64-80	STEERING WHEEL		1
5	525 39 80-01	STEERING SYSTEM		1
6	721 43 47-01	SPRING PIN		1
8	506 88 78-01	SPACER		1
9	738 21 04-04	BALL BEARING		1
10	525 51 34-01	STEERING ROD		1
11	734 11 54-41	WASHER		1
12	535 47 52-12	SCREW EHHFM		1
13	575 58 58-01	WHEEL		2
14	732 21 16-01	NUT		2
15	506 50 08-02	BUSHING		1
16	506 50 07-01	BARRING WHEEL		1
17	738 22 04-19	BALL BEARING		1
18	735 31 40-10	CIRCLIP		1
19	506 50 09-02	BARRING WHEEL		1
20	734 11 74-41	WASHER		1
21	506 67 54-02	SCREW EHHFM		1
22	506 58 91-01	WIRE ASSY		2
23	731 23 20-51	HEXAGON NUT		2
24	525 40 43-01	GUIDE RAIL		1
25	506 55 47-01	LINKAGE		2
25	725 23 68-61	SCREW EHHFT		2
26	506 55 46-01	CHAIN		1
26	732 21 20-51	NUT		2



TRANSMISSION

RIDER 111 B, 965996885, 2010-07

Ref	Part No	Description	Remark	QTY KIT
1	506 57 01-03	SCREW EHHFM		1
2	575 43 02-01	BRACKET		1
3	732 21 18-01	LOCK NUT		4
4	506 59 74-01	SCREW EHHFM		2
5	575 53 87-01	WASHER		1
6	732 21 14-01	LOCK NUT		1
7	575 43 03-01	ARM		1
8	575 92 89-01	SPRING		1
9	506 83 36-01	BRAKE LINING		1
10	723 53 31-51	SCREW SLCSFM		1
11	738 21 04-04	BALL BEARING		4
12	506 77 58-01	BELT		1
13	574 25 95-01	PULLEY		1
15	574 25 98-01	SHAFT		1
16	506 67 54-02	SCREW EHHFM		1
18	734 11 64-41	WASHER		3
19	539 91 90-78	PULLEY		3
20	575 22 55-01	BELT		1
21	522 60 29-01	BELT TENSIONER		1
22	725 24 59-51	SCREW EHHM		3
23	735 31 15-20	E-CLIP		1
24	734 11 78-01	WASHER		1
25	525 40 37-01	SHAFT		1
26	525 40 36-01	PULLEY		1
27	544 40 05-01	SCREW		1
28	506 57 01-05	SCREW EHHFM		2
29	574 87 41-01	WASHER		2
30	522 83 16-01	BRACKET		1
32	734 11 74-41	WASHER		2
33	506 50 48-05	WASHER		2
35	525 40 39-01	PULLEY		1
36	575 22 57-01	BELT		1
37	575 22 56-01	BELT		1
38	506 57 01-05	SCREW EHHFM		1
39	735 31 22-00	CIRCLIP		2
40	738 22 01-19	BALL BEARING		2
48	574 41 19-01	BRACKET		1
50	735 31 10-20	E-CLIP		2
51	525 40 81-01	ROD		1
54	522 82 32-01	LINK ARM		1
55	725 24 66-51	SCREW		4
62	574 44 91-01	TRANSMISSION		1
63	734 11 64-01	WASHER		4
64	731 23 18-01	HEXAGON NUT		4
65	525 39 19-01	ARM		1
66	506 83 43-01	SPRING		1
67	506 55 59-02	WEDGE		1
68	522 82 76-01	PULLEY		1
69	506 59 75-01	WASHER		1
70	506 55 60-02	SCREW UNC		1
71	574 50 62-01	SPRING		1
72	574 50 61-01	SPRING		1
73	575 56 72-01	SPRING		1



WHEELS & TIRES

RIDER 111 B, 965996885, 2010-07

Ref	Part No	Description	Remark	QTY KIT
1	525 58 47-01	WHEEL		2
2	573 98 16-01	RIM		1
3	573 98 14-01	TYRE		1
4	523 03 47-01	VALVE		1
5	525 58 49-01	WHEEL		2
6	573 98 15-01	RIM		1
7	573 98 14-01	TYRE		1
8	523 03 47-01	VALVE		1
9	506 50 48-05	WASHER		4
10	506 59 62-10	SPACING SLEEVE		1
11	506 50 48-03	WASHER		2
12	506 89 90-01	E-CLIP		4
13	544 35 35-01	HUB CAP		2
14	544 35 35-03	HUB CAP		2
15	506 59 62-09	SPACING SLEEVE		1
16	575 29 27-01	SPACING SLEEVE		1
17	574 67 17-01	BEARING		2