

PT26D 2010

Spare parts

Ersatzteile

Pièces détachées

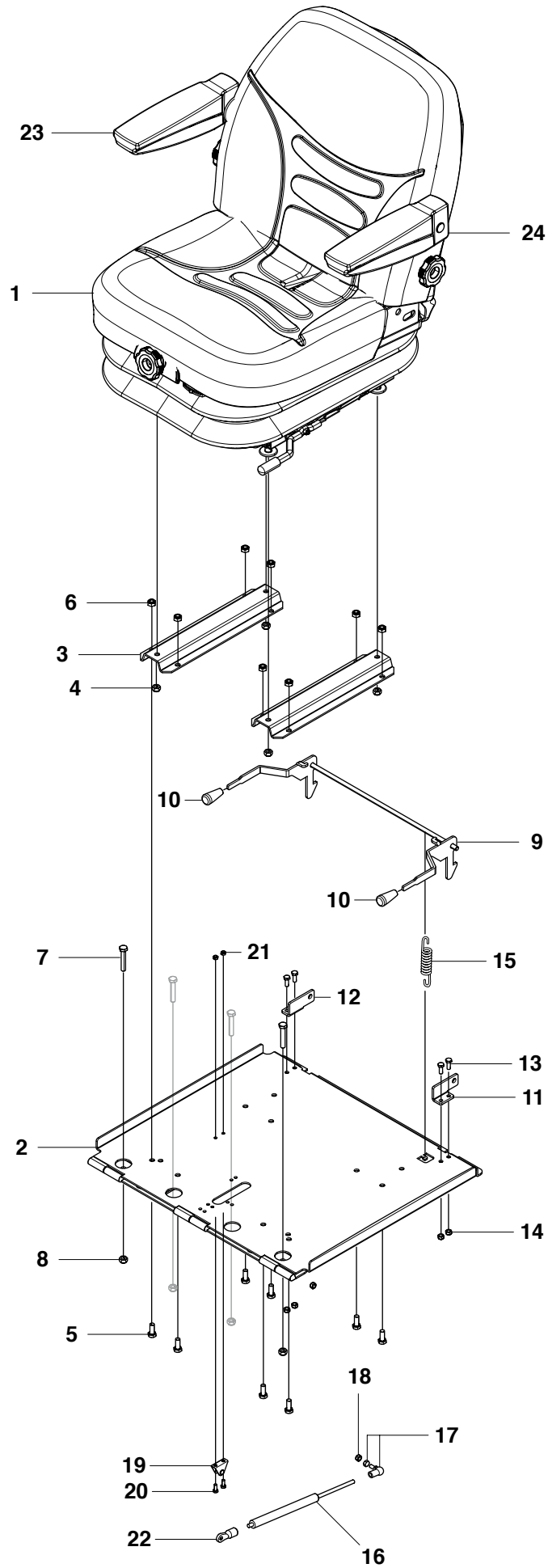
Reserve onderdelen

Repuestos

Reservdelar

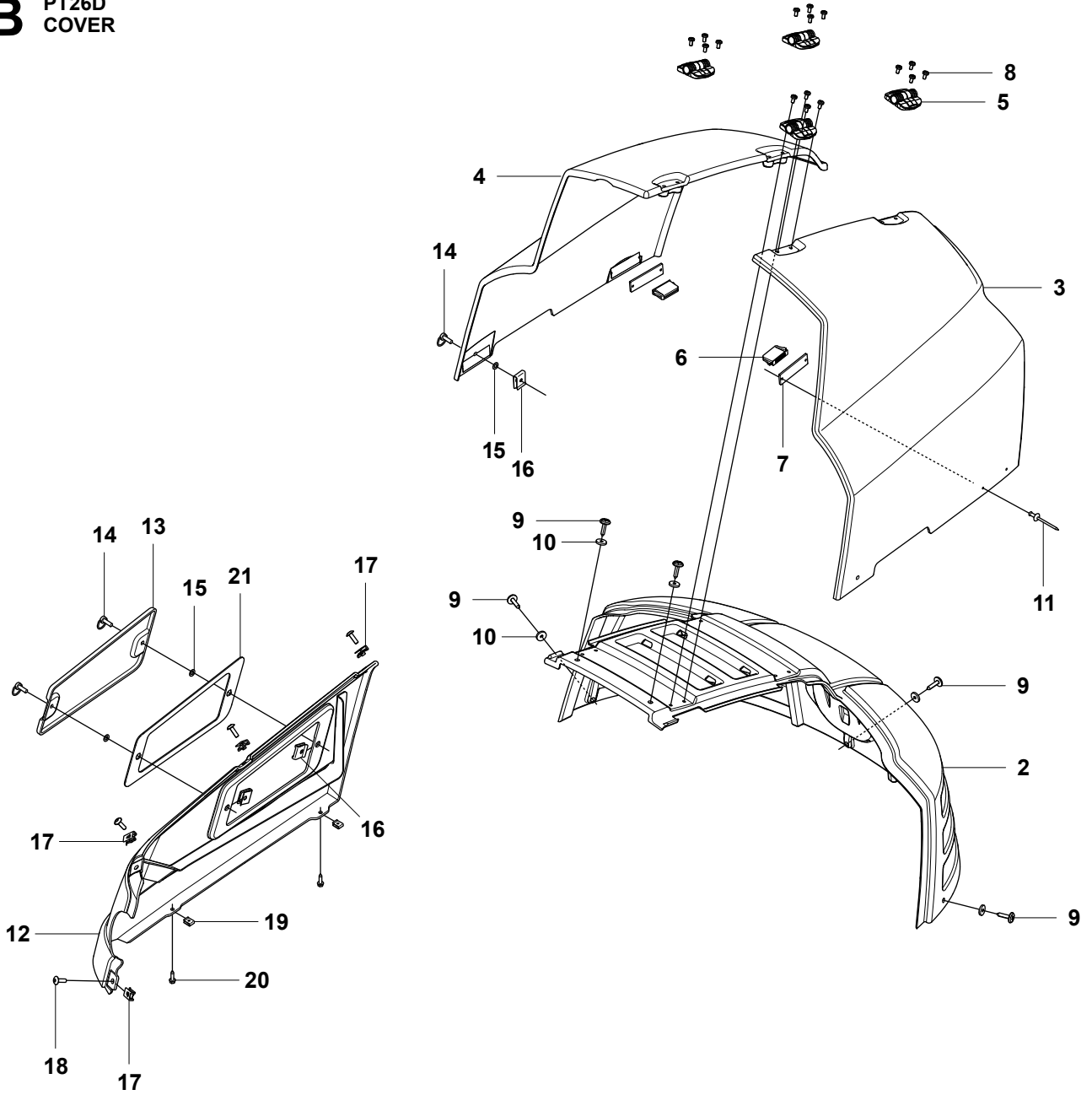
A PT26D
SEAT

Not Shown:
539 10 75-23 Seat Switch



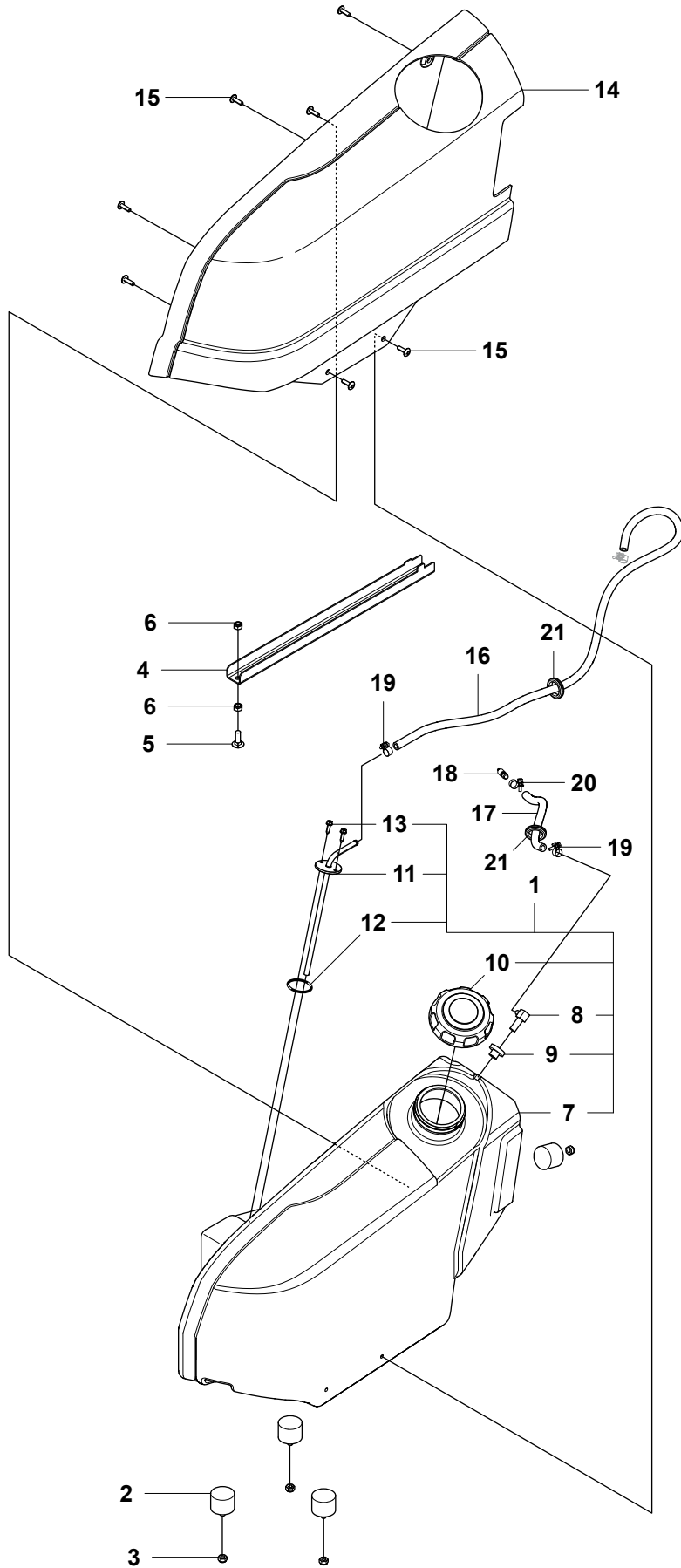
Page A		PT26D		SEAT	
Position	Article	Quantity	Notes	Kit	
1	510 37 40-01	1	SEAT		
2	510 10 73-01	1	BRACKET, SEAT		
3	510 44 24-01	2	BRACKET, SEAT SUSPENSION		
4	732 21 18-01	4	LOCK NUT, M8-8		
5	725 24 51-51	8	SCREW M6S 8x20 FZ		
6	732 21 18-01	8	LOCK NUT, M8-8		
7	725 24 60-51	2	SCREW, M6S 8X45 FZB		
8	732 21 18-01	2	LOCK NUT, M8-8		
9	544 35 80-01	1	HITCH ,SEAT		
10	535 43 82-01	2	KNOB		
11	544 35 86-01	1	BRACKET, LOCK CLAMP, LEFT		
12	544 35 86-02	1	BRACKET, LOCK CLAMP, RIGHT		
13	725 23 68-51	4	SCREW, M6X16		
14	732 21 16-01	4	LOCK NUT, M6		
15	544 21 81-03	1	SPRING, L=50 MM.		
16	544 46 82-01	1	SPRING, GAS		
17	544 93 55-01	1	BRACKET, ROD END		
18	732 21 16-01	1	LOCK NUT, M6		
19	544 97 19-01	1	BRACKET, CPL,GAS SPRING		
20	725 23 27-71	2	SCREW, M6S 5X12-8.8FZ		
21	732 21 14-01	2	LOCK NUT, M5		
22	544 93 55-01	1	BRACKET ROD END		
23	579 55 35-02	1	ARMREST		
24	579 55 35-01	1	ARMREST		

B PT26D
COVER



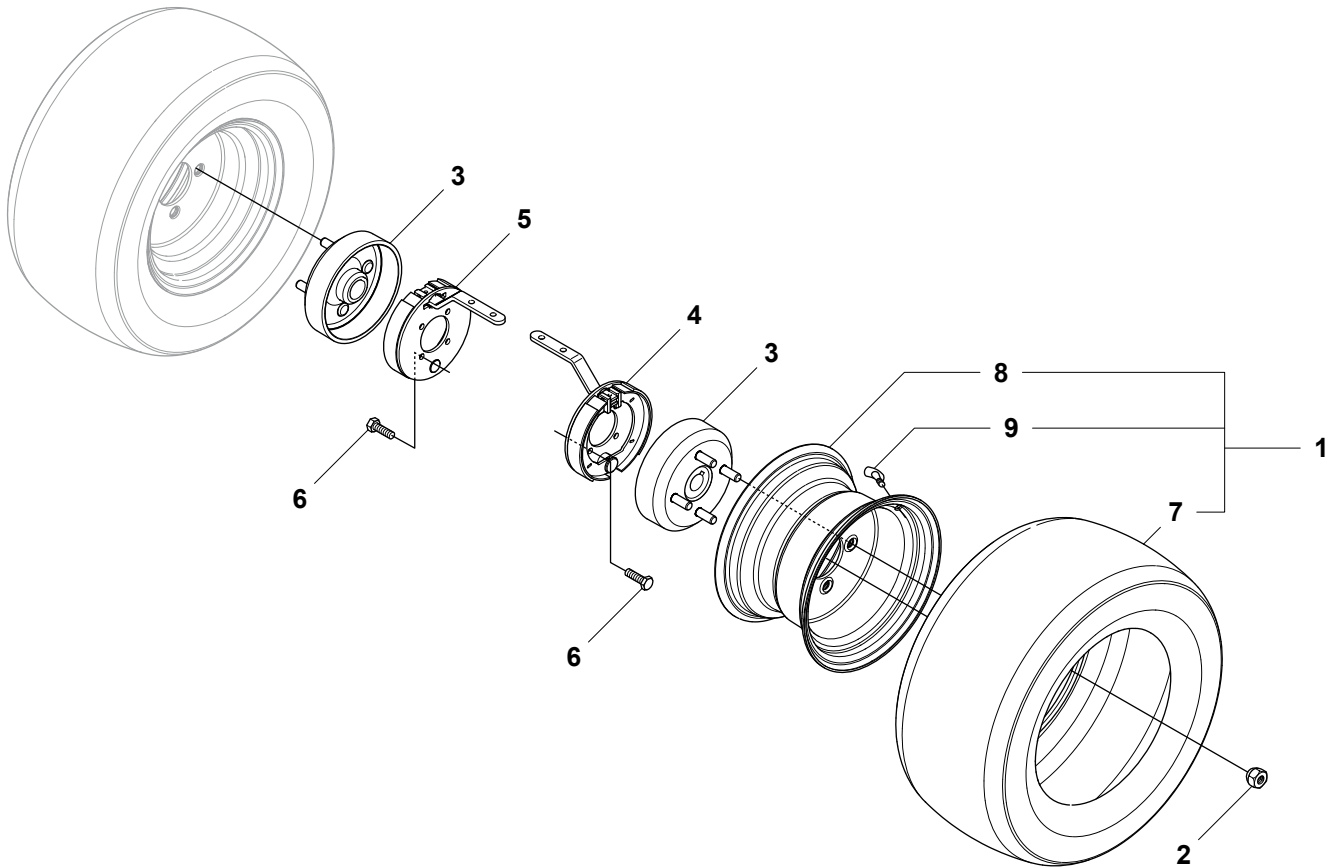
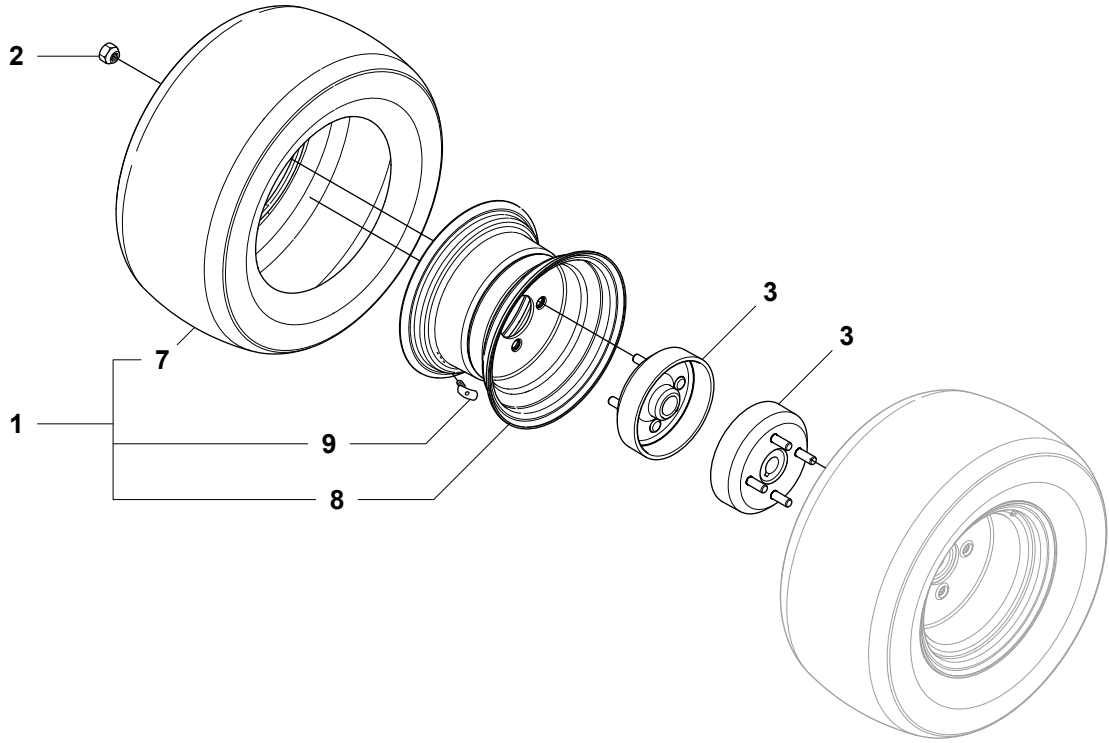
Page B PT26D COVER				
Position	Article	Quantity	Notes	Kit
2	544 17 73-01	1	MOTORKÅPA,CENTRE PAR	
3	522 52 02-01	1	MOTORKÅPA,SIDE PART	
4	522 52 02-02	1	MOTORKÅPA,SIDE PART	
5	544 25 48-01	4	GÅNGJÄRN,ENGINE HOOD	
6	544 25 49-01	2	MAGNET,ENGINE HOOD	
7	544 87 01-01	2	PLÅT,MAGNETIC	
8	544 29 13-01	16	SKRUV,TORX 5X10	
9	506 98 26-02	5	SKRUV	
10	506 55 97-01	5	GUMMIBRICKA	
11	722 78 29-02	4	POPINIT 3,2x13,3	
12	501 04 80-01	1	KÅPA,CONTROL COVER S	
13	544 33 27-01	1	LOCK,FUSE ACCESS	
14	506 96 35-01	4	VRIDTAPP	
15	506 96 36-01	4	BRICKA	
16	506 96 37-01	4	LÅSDON	
17	535 42 91-01	4	FJÄDERMUTTER M6	
18	535 42 58-02	4	SKRUV,MK6S 6X20 SV	
19	506 89 20-01	2	SNABBLÅSMUTTER	
20	535 41 56-19	2	FLÄNSSKRUV ST4.8X19	
21	501 04 79-01	1	PACKNING,SIDE COVER	

C PT26D
FUEL SYSTEM



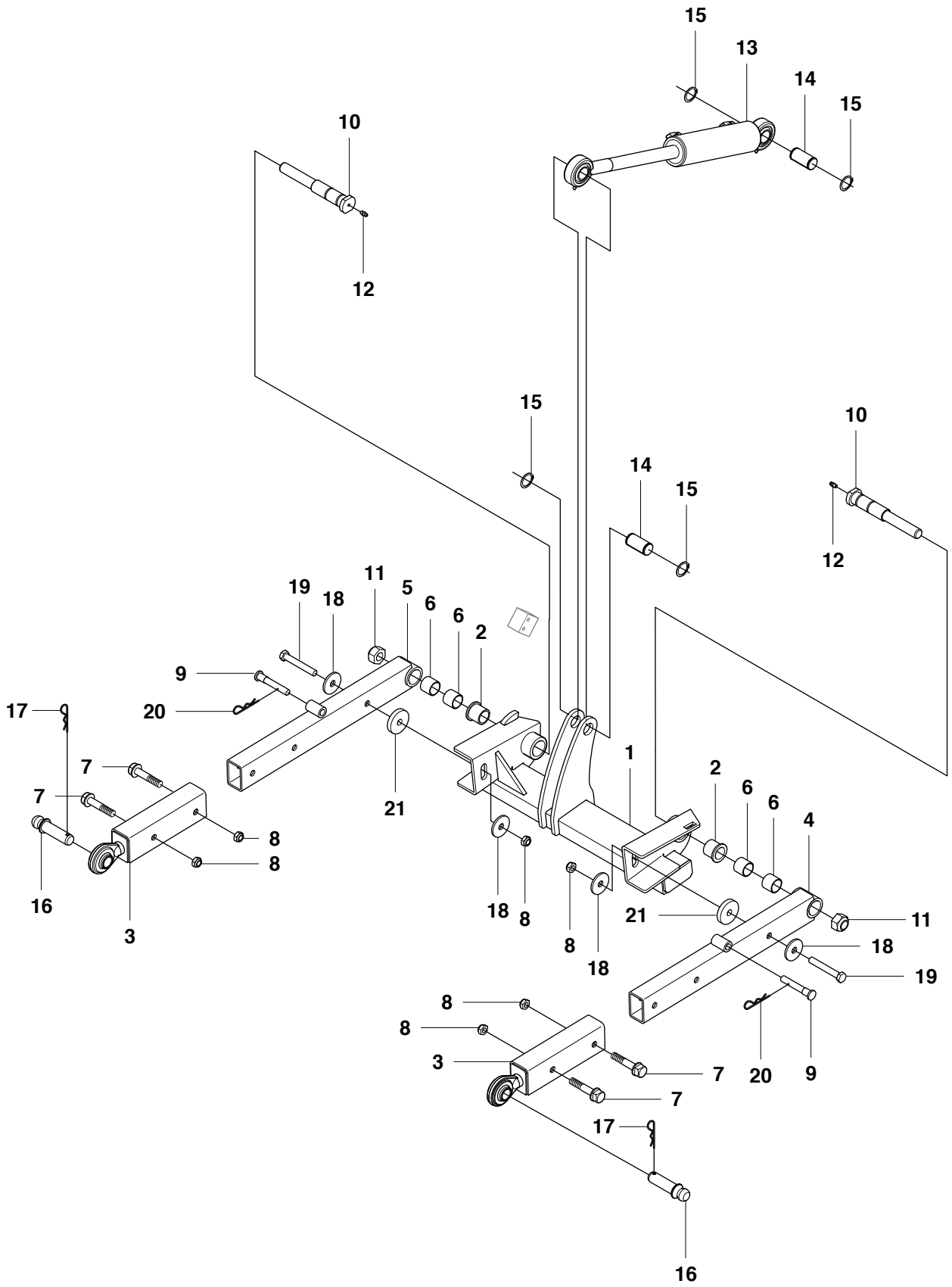
Page C		PT26D		FUEL SYSTEM	
Position	Article	Quantity	Notes	Kit	
1	522 44 66-01	1	BRÄNSLETANK KPL		
2	544 25 21-01	4	VIBRATIONISOLATOR		
3	732 21 18-01	4	LÅSMUTTER,M8-8		
4	522 02 81-01	1	BALK,FUEL TANK		
5	535 42 38-01	1	SKRUV,MVBF M8X25 GK		
6	732 21 18-01	2	LÅSMUTTER,M8-8		
7	505 14 91-01	1	BRÄNSLETANK		
8	539 10 52-44	1	JOINT		
9	539 10 52-45	1	GENOMFÖRING,RUBBER		
10	539 10 63-30	1	TANK CAP		
11	544 24 33-01	1	ANSLUTNING,FUEL TANK		
12	740 48 12-02	1	O-RING 14.67x1.78		
13	535 41 56-19	2	FLÄNSSKRUV ST4.8X19		
14	510 41 34-01	1	TANKKÅPA,FUEL TANK		
15	535 42 58-01	7	SKRUV,MK6S 6X10 SV		
16	544 28 25-04	1	BRÄNSLESLANG		
17	544 28 25-05	1	BRÄNSLESLANG		
18	544 36 92-01	1	ANSLUTNING,REDUCING		
19	544 28 26-01	2	SLANGKLÄMMA,FUEL HOS		
20	544 28 26-02	1	SLANGKLÄMMA,FUEL HOS		
21	505 43 52-01	2	GROMMET		

D PT26D
WHEEL



Page D		PT26D		WHEEL	
Position	Article	Quantity	Notes	Kit	
1	544 21 00-01	4	HJUL KPL,20X10 HG		
2	539 10 11-73	16	NUT		
3	510 03 74-01	4	BROMSTRUMMA		
4	544 93 35-01	1	BROMS,RIGHT		
5	544 93 35-02	1	BROMS,LEFT		
6	544 33 09-01	8	SKRUV,5/16X3/4 UNC		
7	544 21 01-01	4	TIRE,20X10 HG		
8	544 21 02-01	4	FÄLG,6,5 X 10		
9	506 57 43-01	4	VENTIL KPL.		

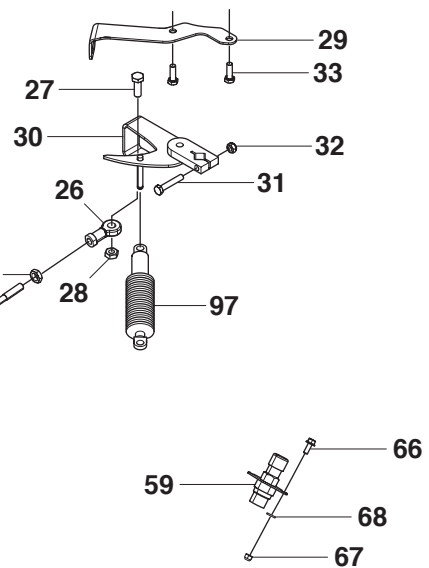
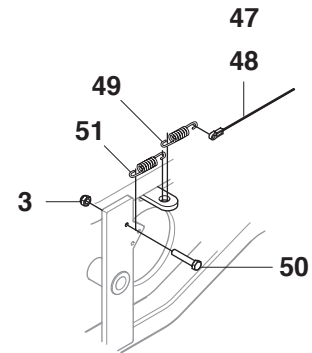
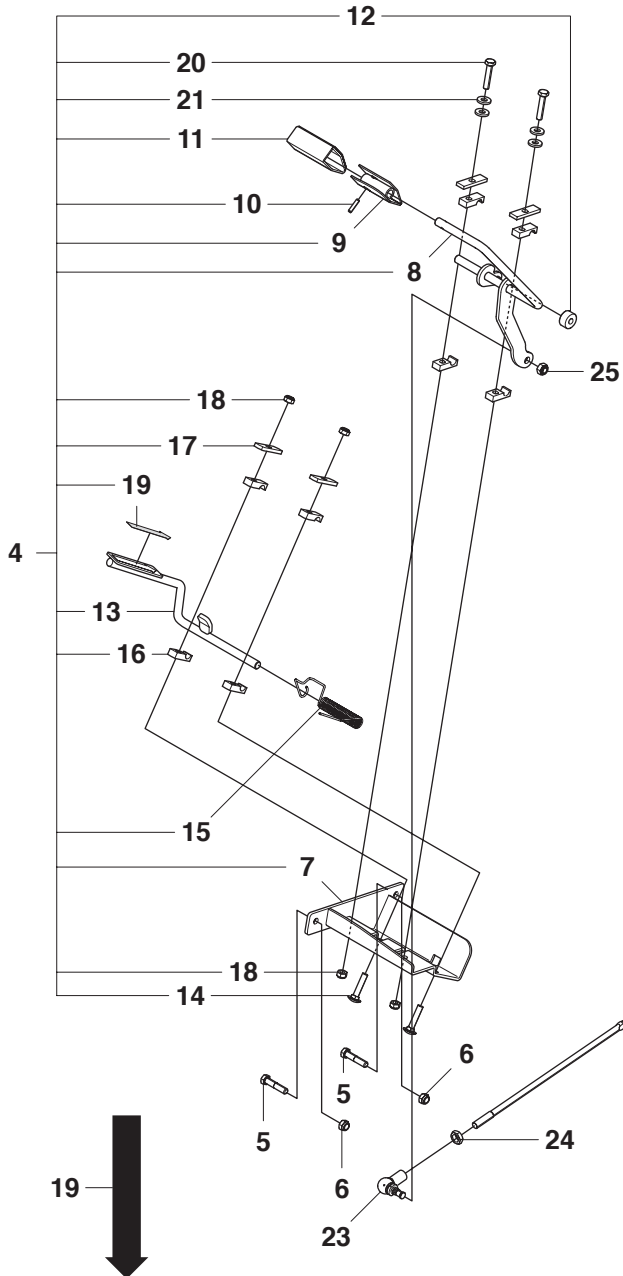
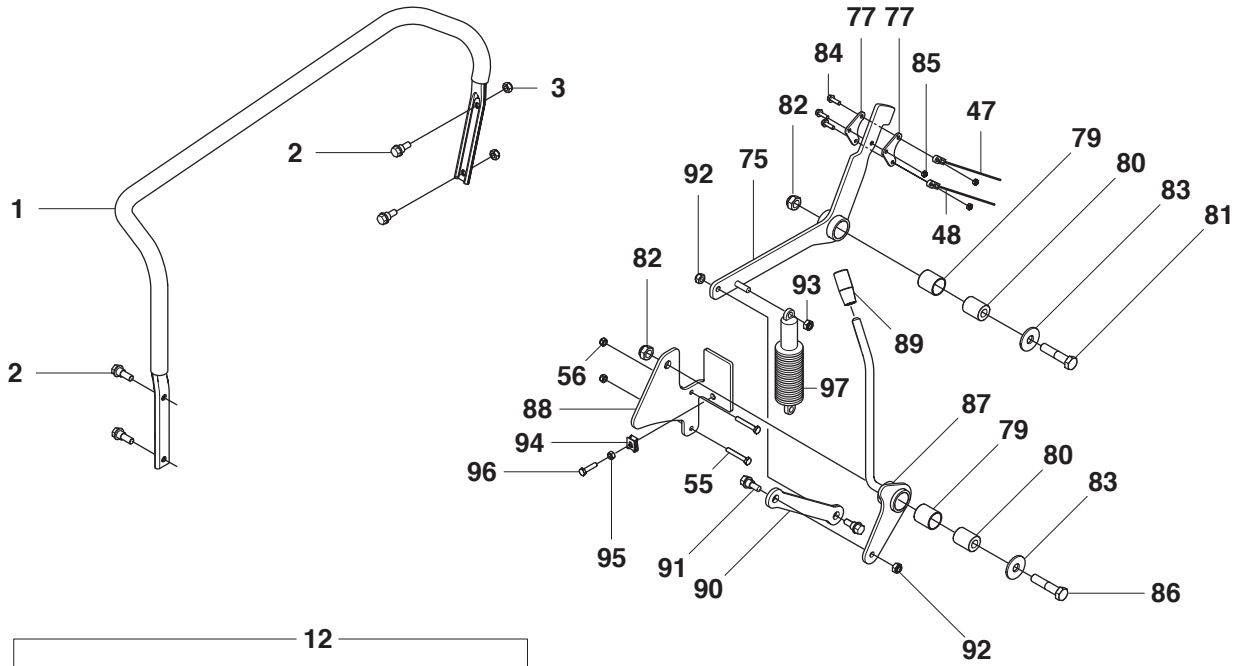
E PT26D
LIFTING SYSTEM



Page E PT26D LIFTING SYSTEM				
Position	Article	Quantity	Notes	Kit
1	510 11 45-01	1	BALK,PACKING BEAM	
2	544 17 41-02	2	LAGERBUSSNING,FLANGE	
3	544 22 00-01	2	REDSKAPSRAM	
4	544 21 94-01	1	LYFTARM,LEFT	
5	544 21 94-02	1	LYFTARM,RIGHT	
6	544 21 92-01	4	LAGERBUSSNING	
7	725 25 44-71	4	SKRUV,EHHM 12X60 8.8	
8	732 25 22-01	6	MUTTER M12 LOC	
9	504 88 76-01	2	SPRINT	
10	544 21 46-02	2	BULT,MED KONA	
11	544 28 13-01	2	MUTTER LÄSNING,M20 C	
12	738 88 10-01	2	SMÖRJNIPPEL,AH M6 FZ	
13	544 17 61-01	1	HYDRAULCYLINDER	
14	544 21 98-01	2	SPRINT	
15	735 31 26-00	4	SPÄRRING SGA 25	
16	544 21 42-01	2	BULT,LIFTING ARM	
17	506 96 66-01	2	HÄRNÄLSSPRINT 4	
18	505 43 25-01	2	WASHER	
19	725 25 48-51	2	BOLT, M6 12X80	
20	721 68 02-51	2	HAIR PIN 3 FZB	
21	544 25 32-01	2	WASHER	

Page F		PT26D		STEERING COLUMN	
Position	Article	Quantity	Notes	Kit	
1	544 29 70-01	1	RATTRÖR		
2	506 91 62-01	2	BLINDNITMUTTER,M8X16		
3	506 57 01-03	4	SKRUV EHHFM,8X16		
4	732 21 18-01	4	LÅSMUTTER,M8-8		
5	544 30 07-01	1	GAFFEL		
6	535 42 38-01	4	SKRUV,MVBF M8X25 GK		
7	732 21 18-01	4	LÅSMUTTER,M8-8		
8	535 42 91-01	13	FJÄDERMUTTER M6		
9	544 30 11-01	1	LÅSBYGEL		
10	506 59 74-01	2	ANSATSSKRUV M8		
11	732 21 18-01	2	LÅSMUTTER,M8-8		
12	544 30 02-01	1	SPÄRRHÄVARM,STEERING		
13	544 30 00-01	1	KNOPP		
14	732 21 20-01	1	MUTTER,M10 LOC		
15	504 88 84-01	1	SPRING		
16	544 21 81-06	1	DRAGFJÄDER,L=108		
17	506 89 58-01	2	ANSATSSKRUV		
18	544 29 98-01	2	BUSSNING		
19	510 08 91-01	1	RATTKOLONN		
20	535 42 91-01	1	BLINDNITMUTTER,M8X19		
22	506 06 81-01	1	SERVOSTYRNING		
23	521 93 59-01	1	FÄSTE,POWER STEERING		
24	725 54 49-01	4	SKRUE C HC 8X16 BICH		
25	725 23 68-71	4	SKRUV EHHM		
26	732 21 16-01	4	NUT M6 LOC		
32	544 30 13-01	1	STRÅLKASTARE		
33	544 34 75-01	1	LAMPA,H4		
34	544 30 14-01	1	FÄSTE,HEADLAMP		
35	544 28 76-03	2	FJÄDER		
36	724 12 95-01	2	SCREW		
37	725 23 64-61	4	SKRUV M6x10 TAPTITE		
38	535 42 91-01	2	FJÄDERMUTTER M6		
39	544 30 12-01	1	INDIKERINGSPANEL		
40	535 42 58-02	3	SKRUV,MK6S 6X20 SV		
41	544 33 28-01	1	KÅPA,HEAD LAMP		
42	535 42 58-02	2	SKRUV,MK6S 6X20 SV		
43	510 13 13-01	1	KÅPA,STEERING COLUMN		
44	535 42 58-02	4	SKRUV,MK6S 6X20 SV		
45	535 42 91-01	4	SPRING NUT		
46	505 21 44-01	1	KÅPA,STEERING COLUMN		
47	535 42 58-02	2	SKRUV,MK6S 6X20 SV		
48	544 29 14-01	1	RATT		
49	506 57 01-06	1	SKRUV EHHFM,8X35		
50	544 22 16-01	1	BRICKA,8.4X29X3		
51	735 88 12-00	1	WOODRUFFKIL,5X6,5		
52	506 55 97-01	3	GUMMIBRICKA		
53	734 11 64-01	4	BRICKA,BRB 8.4X17		

G PT26D
CONTROL

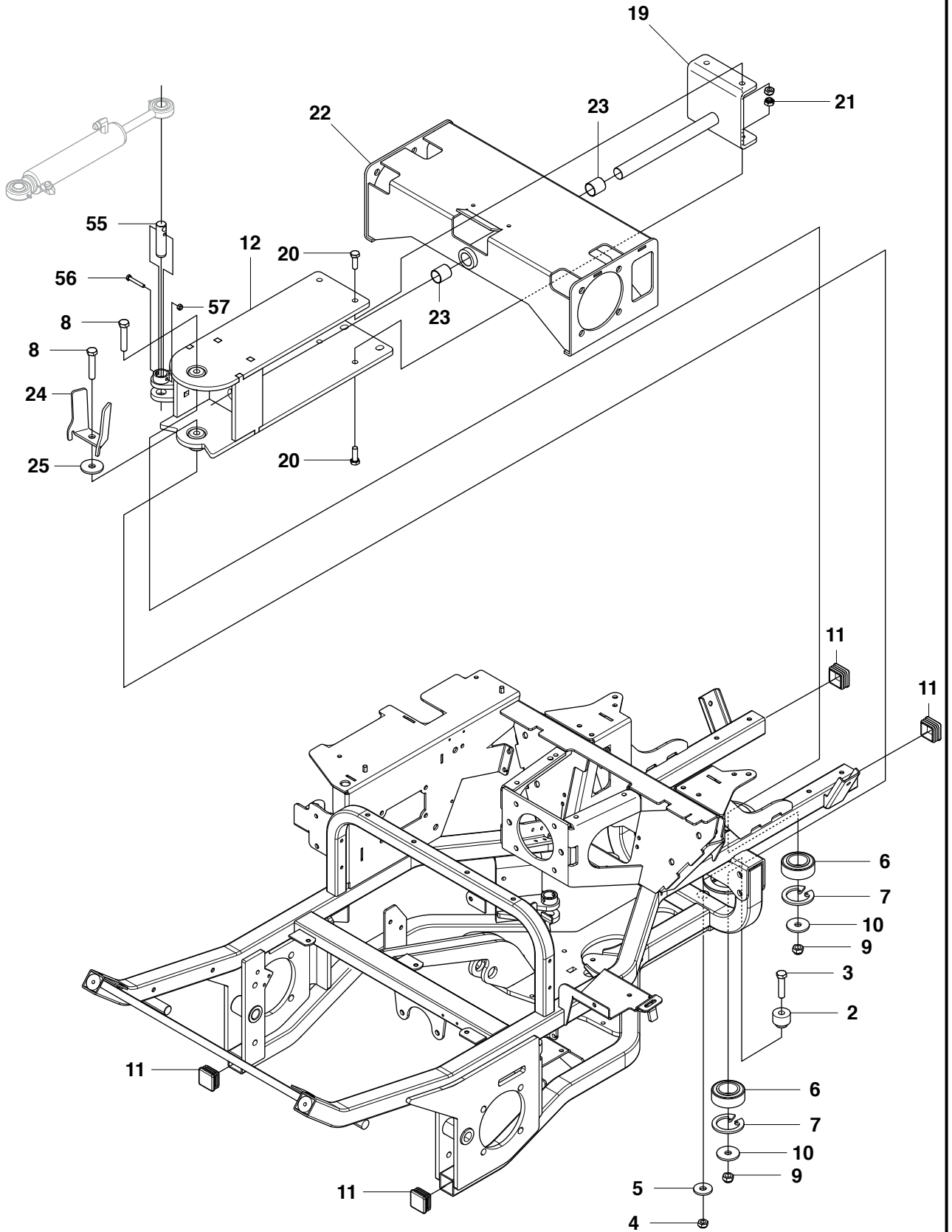


Page G PT26D CONTROLS				
Position	Article	Quantity	Notes	Kit
1	544 25 51-01	1	HANDTAG KPL	
2	506 59 74-01	4	ANSATSSKRUV M8	
3	732 21 18-01	7	LÅSMUTTER,M8-8	
4	544 29 00-01	1	PEDALPLATTA KPL,PROT	
5	725 24 62-51	2	SKRUV M6S 8X55 FZ	
6	732 21 18-01	2	LÅSMUTTER,M8-8	
7	544 28 88-01	1	PEDALPLATTA	
8	544 28 94-01	1	HYDROSTATPEDAL	
9	535 47 99-01	1	FOTPLATTA KPL.	
10	721 43 09-70	1	PINNE S 5x22	
11	506 50 62-01	1	PEDALGUMMI	
12	535 45 99-01	1	RULLE	
13	544 28 91-01	1	BACKPEDAL	
14	727 64 59-51	2	SKRUV RSQM,8X40 8.8	
15	535 45 95-01	1	FJÄDER	
16	506 95 41-01	8	LAGERBLOCK	
17	506 80 41-01	4	PLÅT	
18	731 21 18-01	4	MUTTER M6M M8 LOC	
19	544 33 82-01	1	DEKAL,PEDAL	
20	725 24 59-51	2	SKRUV M6S 8x40 fz	
21	734 11 64-01	4	BRICKA,BRB8.4/17X1.6	
22	506 81 49-09	1	STÅNG,L=640	
23	506 78 99-01	1	VINKELLÄNK DIN 71802	
24	506 89 76-01	1	MUTTER V-GÅNGAD FZ	
25	732 21 20-51	1	MUTTER M10-LOCK	
26	506 95 17-01	1	LÅNKHUVUD,M10 HÖ INV	
27	725 24 95-71	1	SKRUV M6S M10X30 FZ	
28	732 21 20-51	1	MUTTER M10-LOCK	
29	505 14 92-01	1	SHEET	
30	505 14 95-01	1	CONTROL UNIT	
31	725 24 60-71	1	SCREW	
32	732 21 18-01	1	LÅSMUTTER M8	
33	725 24 53-51	2	SKRUV	
47	544 35 76-01	1	WIRE KPL,BRAKE LEFT	
48	544 35 76-02	1	WIRE KPL,BRAKE RIGHT	
49	506 94 63-01	2	BROMSFJÄDER FRÄMRE	
50	725 24 60-71	2	SKRUV M6S 8X45 FZ	
51	506 54 25-01	2	FJÄDER,20X2 L=62	
55	535 47 52-45	2	SCREW, M6X45	
56	732 21 16-01	2	MUTTER M6 LOC	
59	522 45 42-01	1	DIFFERENTIALPEDAL KP	
66	725 23 68-51	2	SKRUV,M6S 6X55-8.8	
67	732 21 16-01	2	MUTTER M6 LOC	
68	734 11 56-01	2	BRICKA BRB 6.7X14 FZ	
75	521 90 27-01	1	PARKERINGSBROMS	
77	544 29 03-01	2	LÄNK	
79	506 98 61-01	2	GLIDLAGER	
80	544 27 94-01	2	HYLSA	
81	725 25 43-51	1	SKRUV EHHM,12X55 8.8	
82	732 25 22-01	2	MUTTER M12 LOC	
83	734 11 80-41	2	BRICKA,13/37X3 FZB	
84	725 23 31-51	3	SKRUV,M6S 5X20-8.8FZ	
85	732 21 14-01	3	LÅSMUTTER, M5	

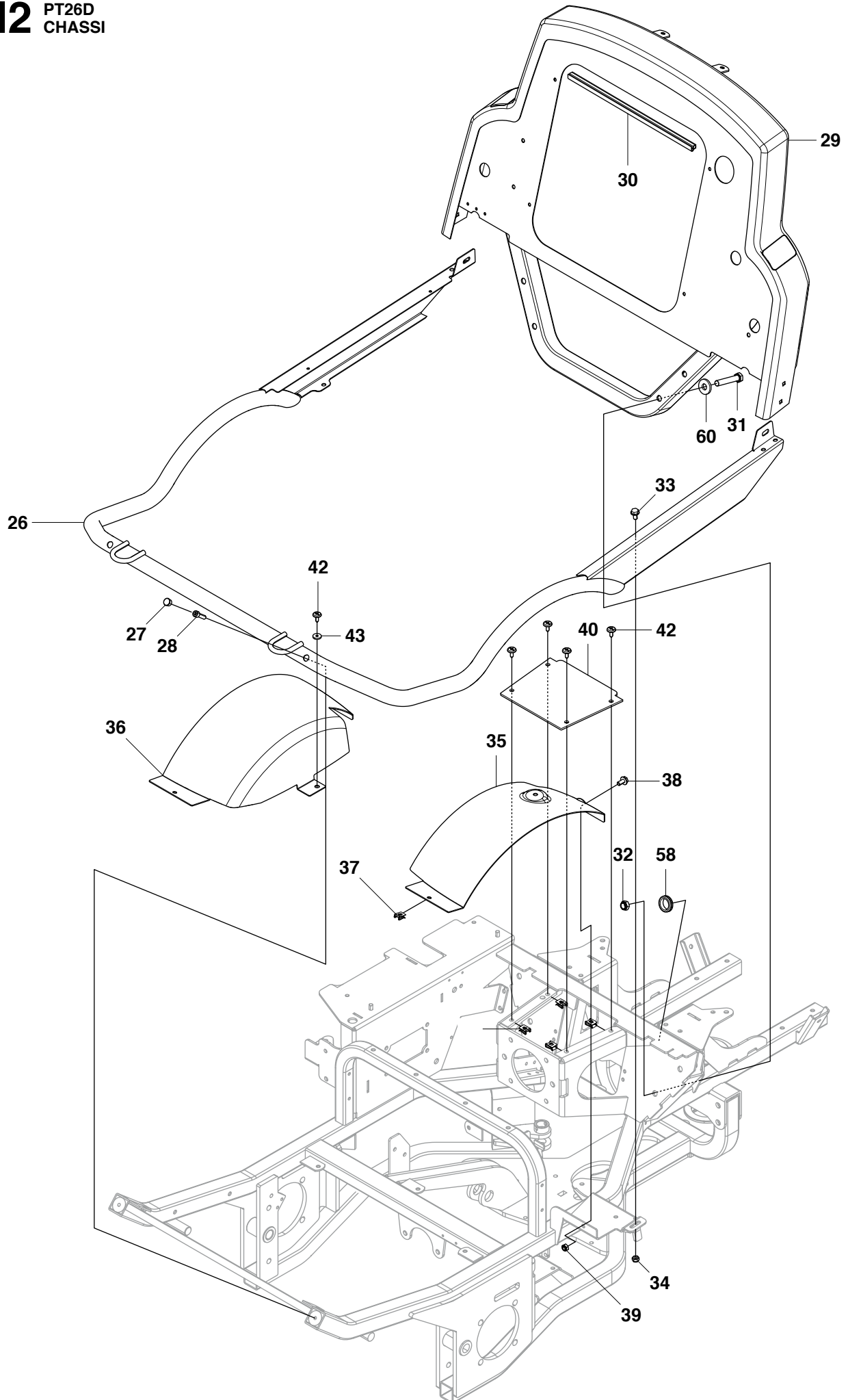
Page G		PT26D		CONTROLS	
Position	Article	Quantity	Notes	Kit	
86	725 25 43-51	1	SCREW, M12X55 8.8		
87	521 90 31-01	1	BRACKET LEVER		
88	521 90 29-01	1	BRACKET		
89	521 90 35-01	1	KNOPP		
90	521 90 36-01	1	LINK		
91	506 59 74-01	2	ANSATSSKRUV M8		
92	732 21 18-01	2	LÅSMUTTER		
93	731 23 16-01	1	NUT		
94	535 42 91-01	1	SPRING NUT		
95	731 23 16-01	1	MUTTER		
96	725 23 72-71	1	SKRUV		
97	506 93 83-01	2	GASFJADER		

H1

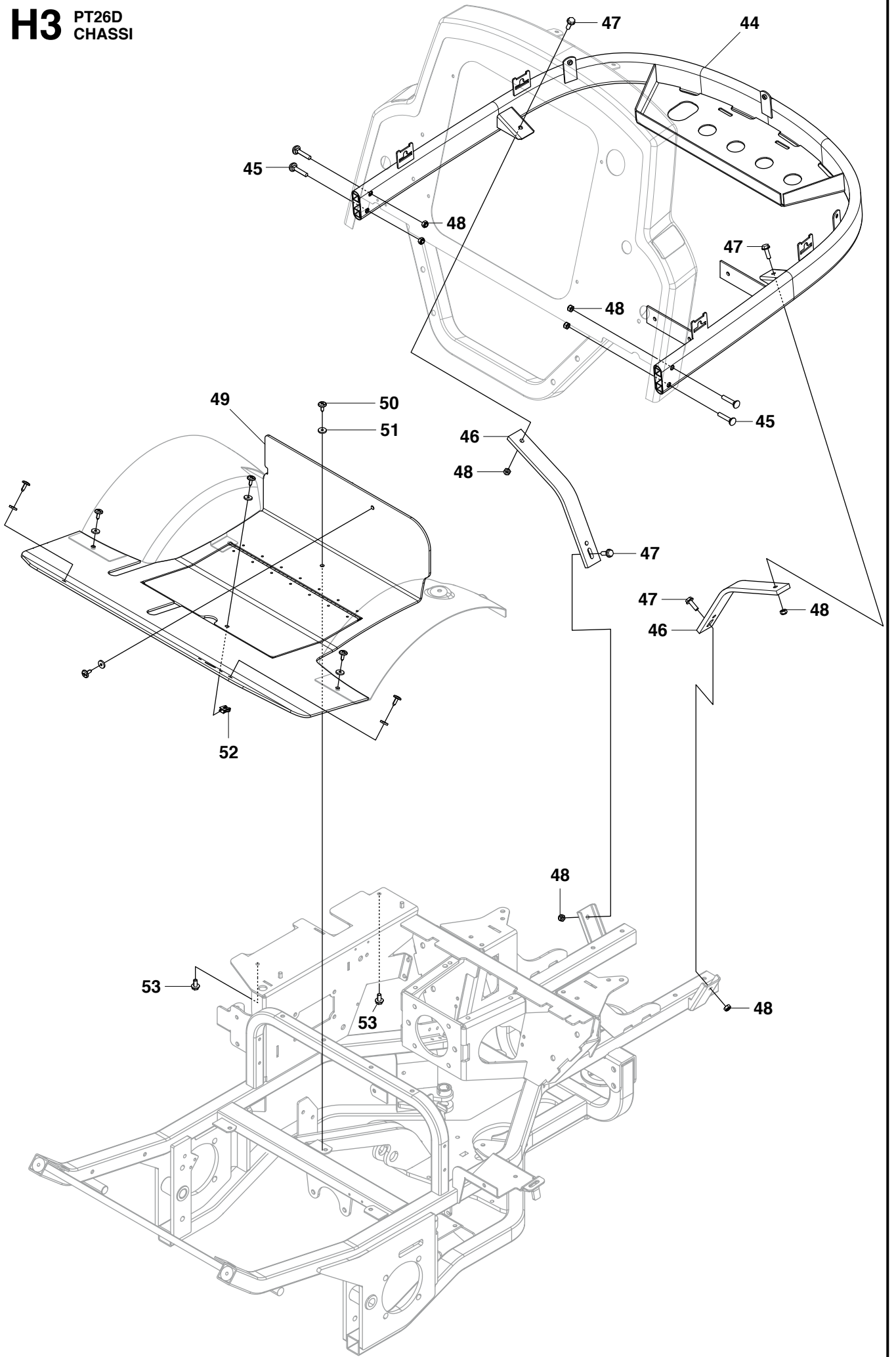
PT26D
CHASSI



H2 PT26D
CHASSI

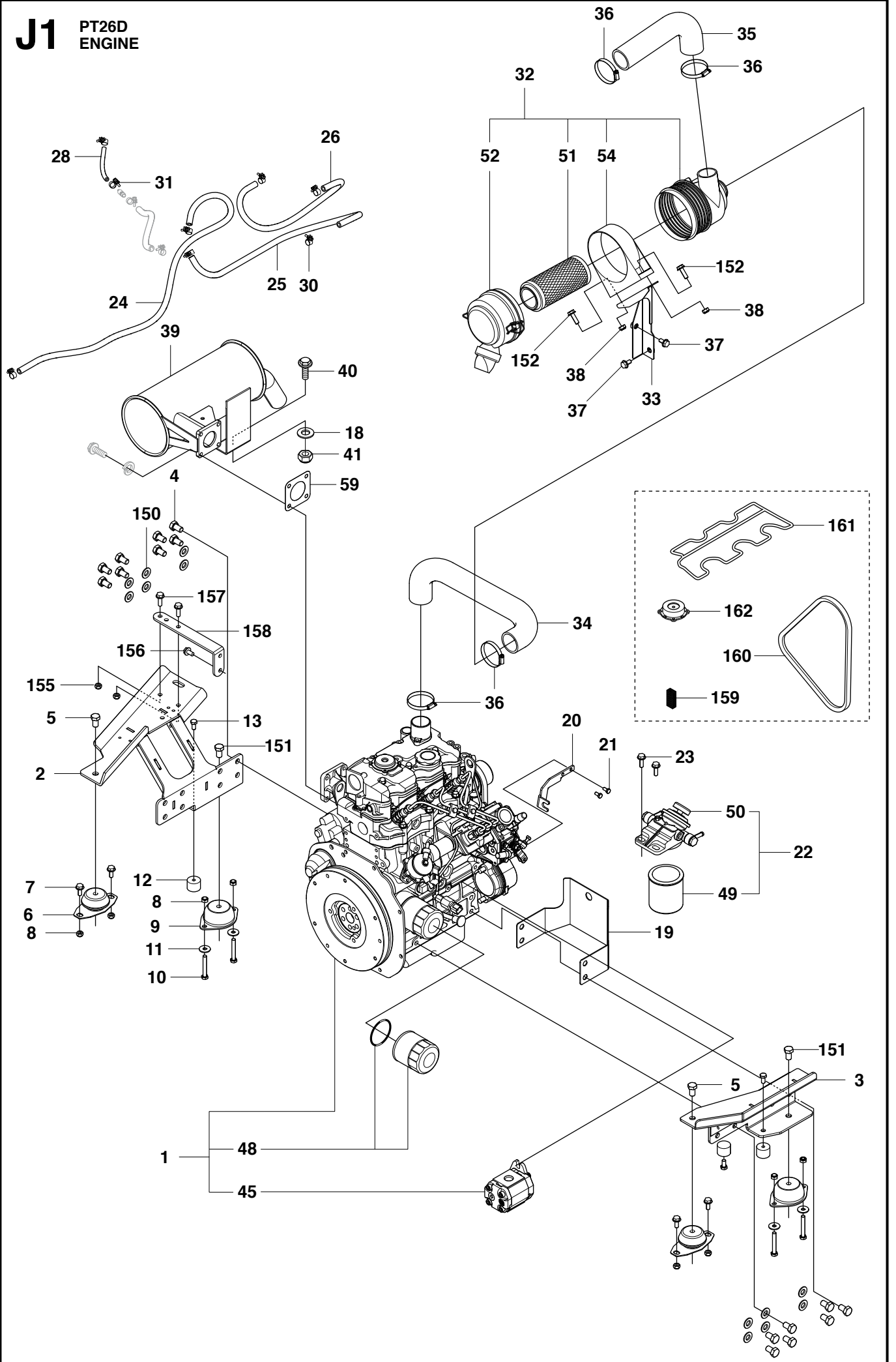


H3 PT26D
CHASSI

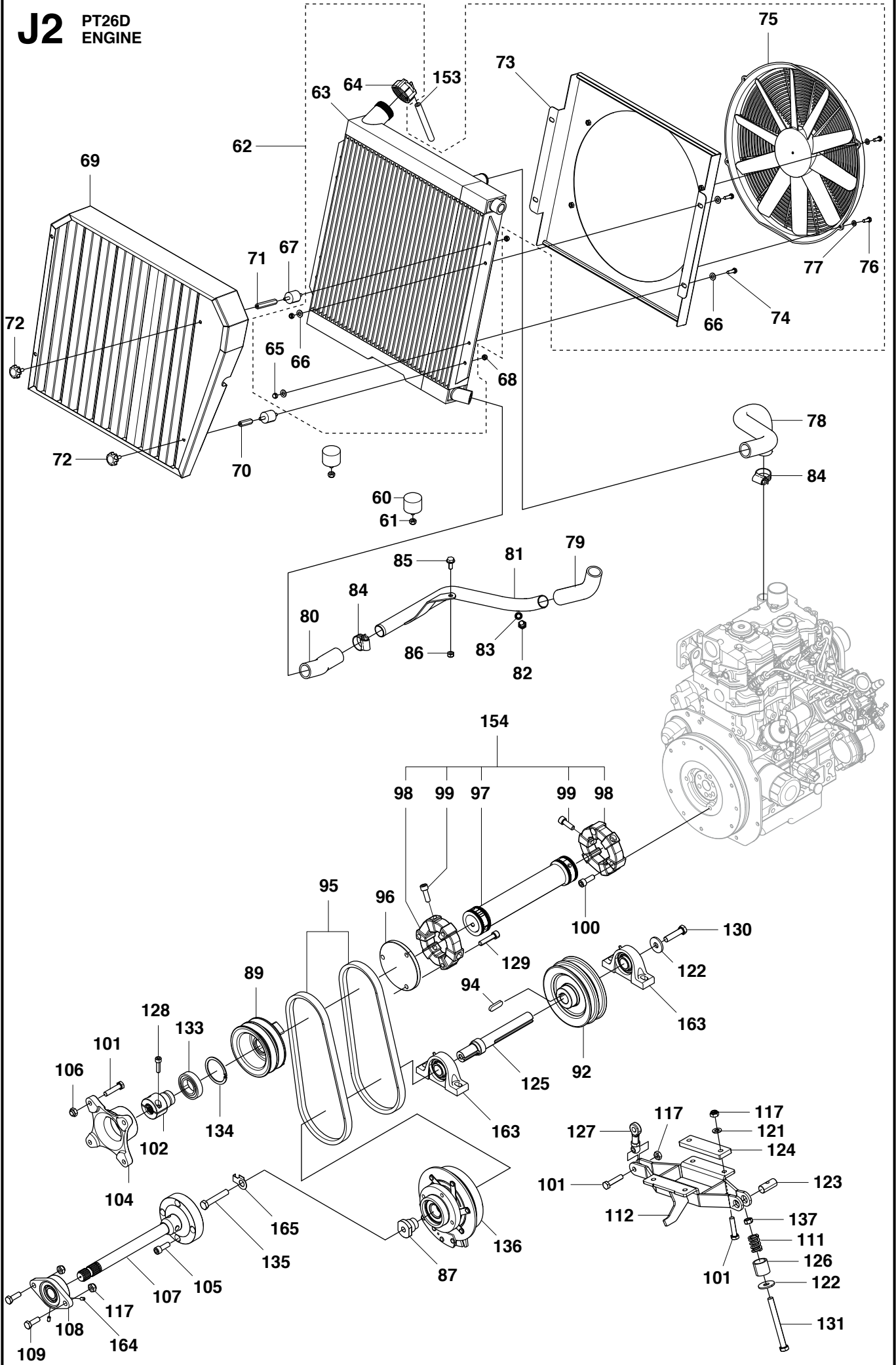


Page H		PT26D		CHASSIS	
Position	Article	Quantity	Notes	Kit	
2	544 18 91-01	1	STOPPHYLSA,STEERING		
3	725 25 42-51	1	SKRUV EHHM,12X50 8.8		
4	732 25 22-01	1	MUTTER M12 LOC		
5	535 42 92-01	1	BRICKA		
6	738 22 07-19	2	KULLAGER,6207 2RSI		
7	544 25 29-01	2	SPÄRRING,SGH 72		
8	725 25 44-71	2	SKRUV,EHHM 12X60 8.8		
9	732 25 22-01	2	MUTTER M12 LOC		
10	544 25 32-01	1	BRICKA,13X45X4		
11	544 25 41-01	4	PLUGG,TUBE		
12	544 18 79-01	1	RAM,REAR		
19	544 18 92-01	1	PENDELAXEL		
20	725 24 95-71	4	SKRUV M6S M10X30 FZ		
21	732 21 20-51	4	MUTTER M10-LOCK		
22	544 18 87-01	1	BAKAXEL		
23	506 98 61-01	2	GLIDLAGER		
24	501 98 75-01	1	STYRPLÅT,HYDRAULIC H		
25	734 11 77-71	1	BRICKA 13/20X2 FZ		
26	510 16 44-01	1	FRONTRÖR		
27	544 24 19-01	2	PLUGG		
28	725 54 55-01	2	SCREW,8X30 8.8 FZB		
29	506 60 78-01	1	TORPEDPLÅT		
30	544 32 92-01	1	TÄTNINGSLIST		
31	725 25 45-51	4	SKRUV EHHM,12X65 8.8		
32	732 25 22-01	4	MUTTER M12 LOC		
33	506 57 01-03	2	SKRUV EHHFM,8X16		
34	732 21 18-01	1	LÅSMUTTER,M8-8		
35	510 09 33-01	1	STÅNKSÅRM,LEFT		
36	510 09 34-01	1	STÅNKSÅRM,RIGHT		
37	535 42 91-01	2	FJÄDERMUTTER M6		
38	506 57 01-03	2	SKRUV EHHFM,8X16		
39	732 21 18-01	1	LÅSMUTTER,M8-8		
40	510 06 57-01	1	SKYDDSPÅT		
42	506 98 26-01	6	SKRUV		
43	506 55 97-01	2	GUMMIBRICKA		
44	510 17 40-01	1	MOTORBÅGE,PT26D		
45	727 64 59-51	4	SKRUV EHHFM,8X35		
46	544 23 42-01	2	STÖD,ENGINE FRAME		
47	506 57 01-05	4	SKRUV EHHFM,8X25		
48	732 21 18-01	8	LÅSMUTTER,M8-8		
49	510 09 96-01	1	FÖTPLATTA		
50	506 98 26-01	7	SKRUV		
51	506 55 97-01	7	GUMMIBRICKA		
52	535 42 91-01	1	FJÄDERMUTTER M6		
53	506 57 01-03	4	SCREW		
55	505 39 61-01	2	AXEL; Ø20,CYLINDER		
56	725 23 78-51	2	SKRUV M6X40 8.8 FZB;		
57	732 21 16-01	2	LÅSMUTTER M6;		
58	505 43 52-01	1	GROMMET		
60	734 11 80-41	4	BRICKA		

J1 PT26D ENGINE



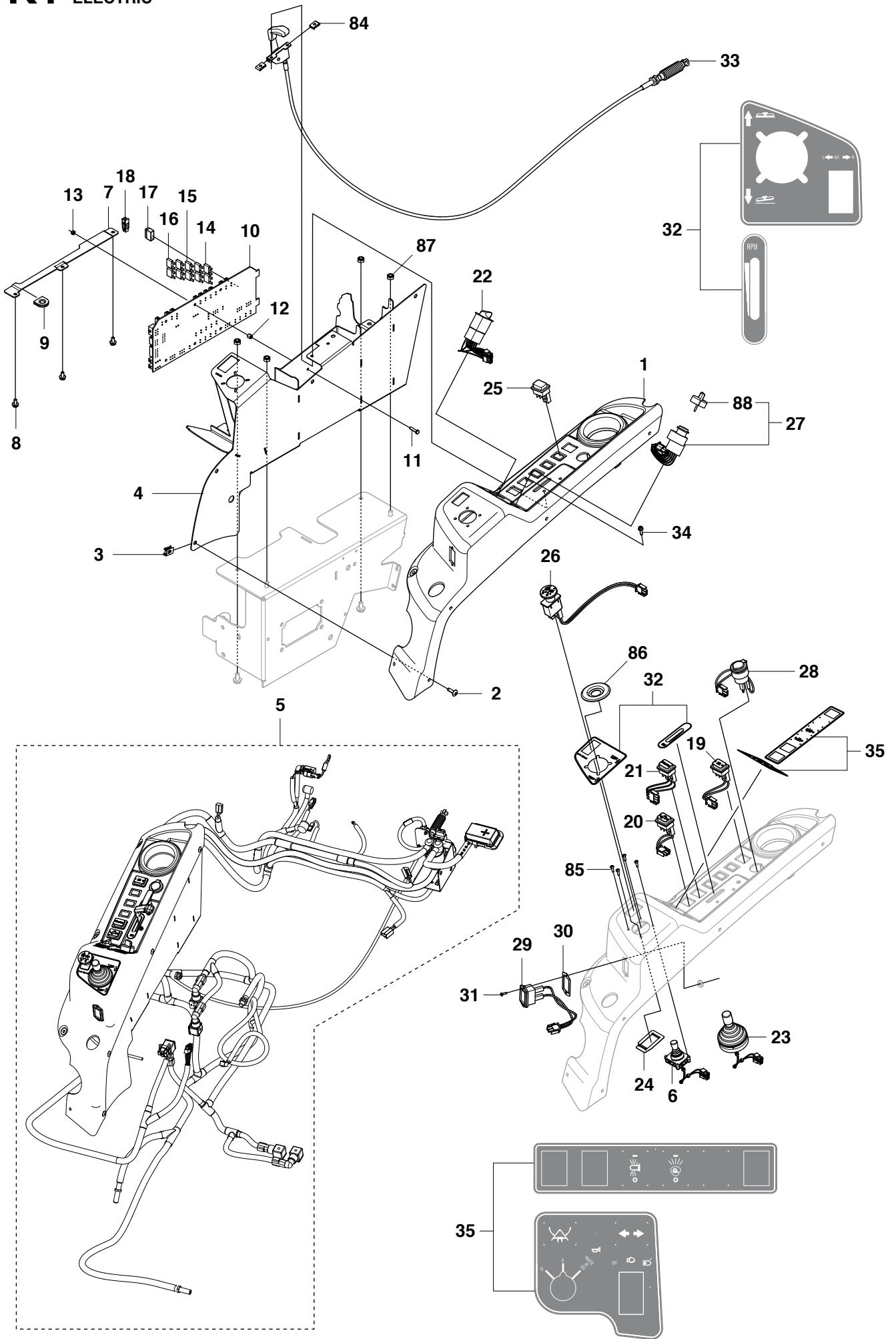
J2 PT26D
ENGINE

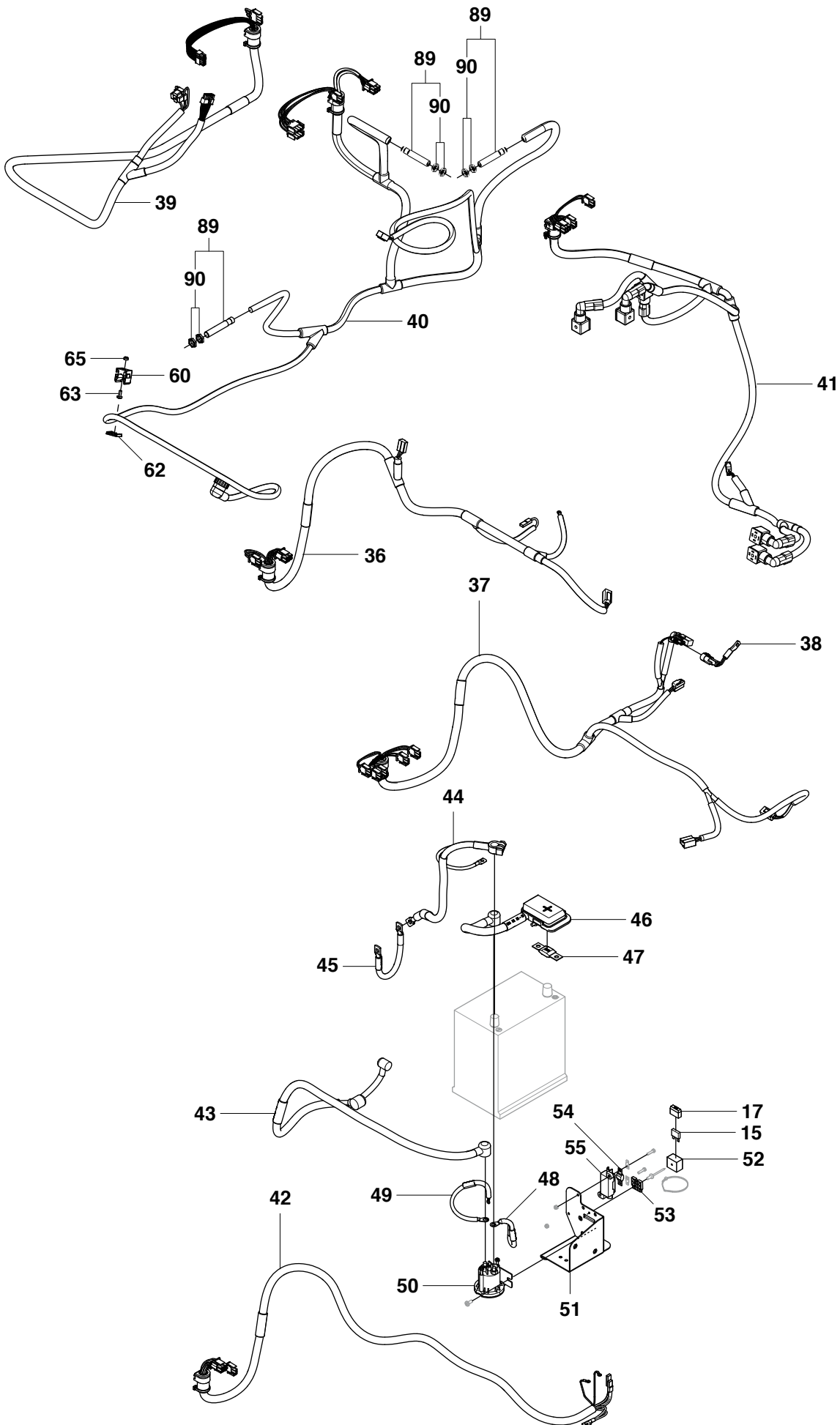


Page J1 PT26D		ENGINE		
Position	Article	Quantity	Notes	Kit
1	510 19 25-01	1	MOTOR,PERKINS 403D-1	
2	504 85 45-01	1	MOTORINFÄSTNING,RIGH	
3	510 22 06-01	1	MOTORINFÄSTNING,LEFT	
4	544 25 19-01	15	SKRUV EHHM,12X1.25X2	
5	725 25 32-71	2	SCREW,12X20	
6	544 19 13-03	2	VIBRATIONISOLATOR,E	
7	506 57 01-04	4	SKRUV EHHFM,8X20	
8	732 21 18-01	8	LÅSMUTTER,M8-8	
9	544 19 13-02	2	VIBRATIONISOLATOR,E	
10	725 24 62-51	4	SKRUV M6S 8X55 FZ	
11	734 11 64-01	4	BRICKA,BRB 8.4X17	
12	544 25 21-02	4	VIBRATIONISOLATOR	
13	506 57 01-03	4	SKRUV EHHFM,8X16	
18	734 11 64-41	1	BRICKA SRKB 8.4/25X2	
19	544 44 32-01	1	SKYDDSPÅT,REAR	
20	515 98 08-01	1	FÄSTE,THROTTLE WIRE	
21	725 23 66-51	2	SKRUV EHHM,6X12 8.8	
22	544 25 16-01	1	BRÄNSLEFILTER,DIESEL	
23	506 57 01-05	2	SKRUV EHHFM,8X25	
24	544 28 25-01	1	BRÄNSLESLANG	
25	544 28 25-02	1	BRÄNSLESLANG	
26	544 28 25-03	1	BRÄNSLESLANG	
28	544 28 25-05	1	BRÄNSLESLANG	
30	544 28 26-01	6	SLANGKLÄMMA,FUEL HOSE	
31	544 28 26-02	1	HOSE CLAMP	
32	544 18 02-01	1	LUFTRENARE	
33	544 33 98-01	1	FÄSTE KPL,AIRCLEANER	
34	544 18 04-01	1	SLANG,AIR INTAKE	
35	544 18 05-02	1	SLANG,AIR INTAKE	
36	544 20 27-03	4	SLANGKLÄMMA	
37	506 57 01-03	2	SKRUV EHHFM,8X16	
38	732 21 18-01	2	LÅSMUTTER,M8-8	
39	522 44 65-01	1	LJUDDÅMPARE	
40	506 57 01-04	1	SKRUV EHHFM,8X20	
41	732 21 18-01	1	LÅSMUTTER,M8-8	
45	510 22 65-01	1	HYDRAULPUMP	
48	544 29 12-01	1	FILTER,DIESEL ENGINE	
49	544 28 28-01	1	BRÄNSLEFILTER,FILTER	
50	544 28 29-01	1	FILTERHÅLLARE,WITH P	
51	544 28 30-01	1	LUFTFILTER	
52	544 28 32-01	1	LUFTFILTERHALVA,GABE	
54	544 18 03-01	1	FÄSTE,AIR CLEANER	
59	544 18 07-01	1	PACKNING	
60	544 25 21-01	2	VIBRATIONISOLATOR	
61	732 21 18-01	2	LÅSMUTTER,M8-8	
62	501 01 78-01	1	KYLARELEMENT KPL	
63	501 01 79-01	1	KYLARELEMENT	
64	544 25 61-01	1	LOCK,RADIATOR	
65	732 21 16-01	4	MUTTER M6 LOC	
66	734 11 63-01	8	BRICKA,BRB8.4/16X1.6	
67	544 19 00-01	4	VIBRATIONISOLATOR,R	
68	732 21 16-01	4	MUTTER M6 LOC	
69	544 28 08-01	1	GALLER,COOLER	
70	544 34 28-01	2	DISTANSHYLSA,6X35	
71	544 34 28-02	2	DISTANSHYLSA,6X60	
72	544 34 48-01	4	VRED,M6X15	
73	540 06 28-01	1	FLÅKTKÅPA,ELECTRIC F	
74	725 23 70-71	4	SKRUV, M6X20	
75	544 18 10-01	1	ELFLÅKT	

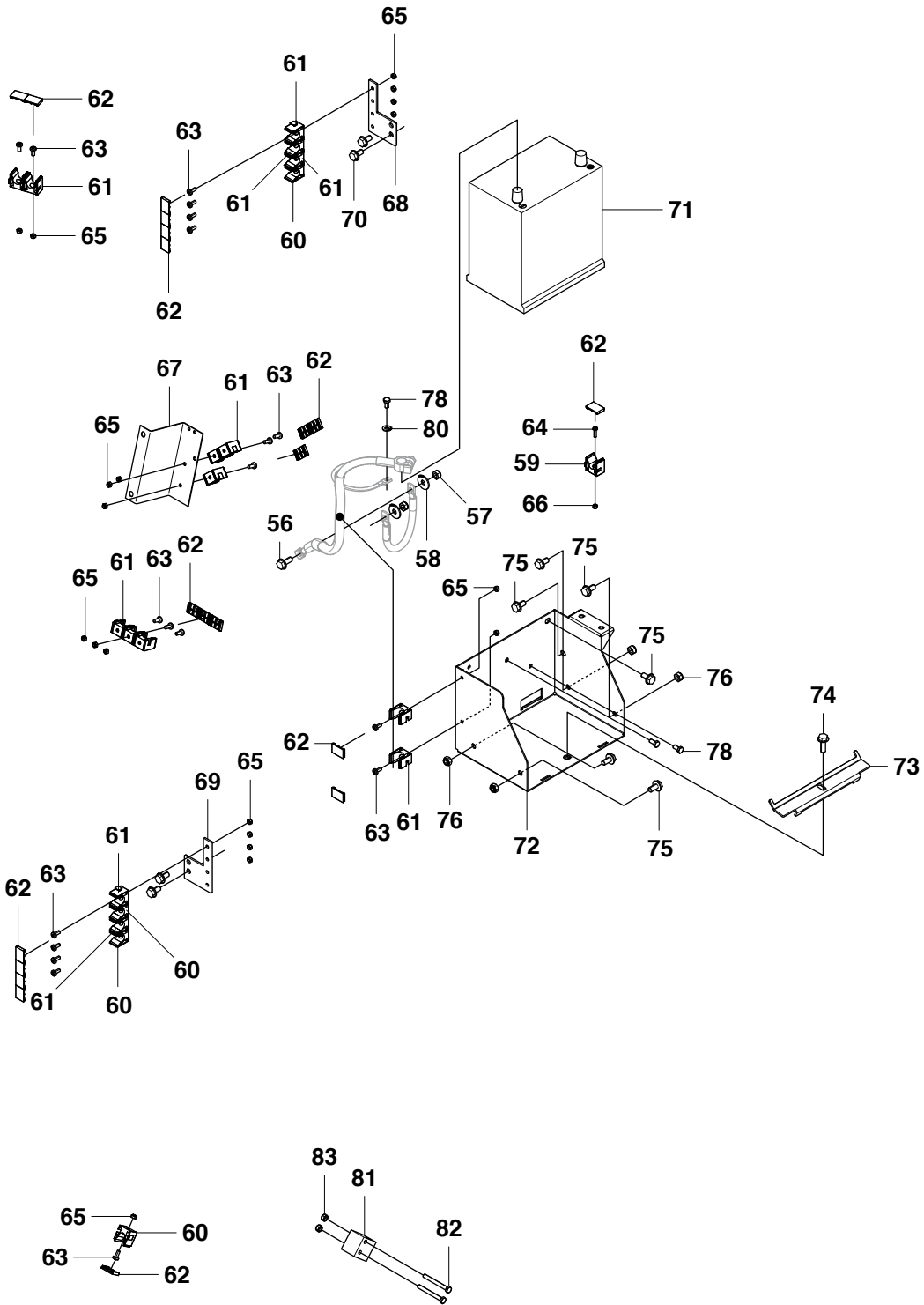
Page J2 PT26D		ENGINE		
Position	Article	Quantity	Notes	Kit
76	725 23 68-51	4	SKRUV M6S 6X16 FZ	
77	734 11 52-01	4	BRICKA,6.4/12X1.6 FZ	
78	544 18 11-01	1	SLANG,COOLING WATER	
79	544 18 13-01	1	SLANG,COOLING WATER	
80	544 18 14-01	1	SLANG,COOLING WATER	
81	544 18 98-01	1	RÖR,COOLING WATER	
82	725 24 87-71	1	SKRUV EHHM,M10X12 FZ	
83	535 43 72-02	1	GUMMISTÅLBRICKA,M10	
84	544 20 27-02	6	SLANGKLÄMMA	
85	506 57 01-04	1	SKRUV EHHFM,8X20	
86	732 21 18-01	1	LÅSMUTTER,M8-8	
87	580 27 26-01	1	SPACER	
89	505 02 04-01	1	PULLEY-PTO	
92	506 00 96-01	1	REMSKIVA,PTO	
94	504 81 35-01	1	PLATTKIL,6X6X40	
95	506 00 75-01	1	REM,PTO	
96	515 98 35-01	1	FLÅNS,ENGINE SIDE	
97	515 98 33-01	1	SHAFT	
98	515 98 34-01	2	RUBBER RING	
99	725 54 95-01	6	SCREW IHSETM, 10x30 FZB	
100	502 23 36-01	3	SKRUV IHSCM,10X30	
101	725 25 00-51	9	SKRUV IHSCM,10X60	
102	510 09 07-01	1	SHAFT	
104	506 04 32-01	1	FLÅNS,PUMP SIDE	
105	502 23 36-01	4	SCREW	
106	732 21 20-51	4	MUTTER M10-LOCK	
107	506 04 19-01	1	AXEL,PTO	
108	544 19 10-01	2	LAGERENHET,FYTB 25TF	
109	725 24 95-71	2	SKRUV M6S M10X30 FZ	
110	732 21 20-01	4	MUTTER,M10 LOC	
111	510 17 07-01	2	FJÄDER	
112	506 04 27-01	1	BEARING CAGE	
117	732 21 20-51	1	LÅSMUTTER,M8-8	
121	734 11 72-01	4	WASHER	
122	535 42 92-01	2	WASHER	
123	510 16 76-01	1	PIN	
124	510 14 60-01	1	DISTANCE	
125	506 04 26-01	1	SHAFT	
126	522 94 69-01	1	SLEEVE	
127	506 95 17-01	1	ROD END	
128	725 54 55-01	2	SCREW	
129	502 23 36-02	3	SCREW IHSCM, 10X30	
130	725 25 42-51	1	M12X50	
131	725 25 15-71	1	SCREW	
133	522 66 44-01	1	BALL BEARING	
134	522 66 43-01	1	CIRCLIP	
135	522 68 00-01	1	SCREW EHHM	
136	506 04 24-01	1	CLUTCH	
137	731 23 20-51	1	NUT	
150	734 11 77-71	12	BRICKA 13/20X2 FZ	
151	725 24 93-71	2	SKRUV M6S 10x25 FZ	
152	506 57 01-05	2	SKRUV EHHFM,8X25	
153	506 94 67-02	1	BRÅNSLESLANG	
154	515 98 32-01	1	KOPPLING,FLEXIBLE	
155	732 21 18-01	2	LOCK NUT	
156	506 57 01-03	2	SCREW	
157	506 57 01-05	2	SCREW	
158	505 39 68-01	1	BRACKET	
159	544 91 35-01	1	FÖRFILTER	
160	544 91 36-01	1	GENERATORREM	
161	544 91 37-01	1	VENTILKÅPSPACKNING	
162	544 91 38-01	1	VEVHUSVENTIL	
163	506 04 36-01	2	SY-LAGERENHETER	
164	522 80 58-01	2	LOCKING SCREW	
165	575 81 36-01	1	LOCKING TAB WASHER	

K1 PT26D
ELECTRIC





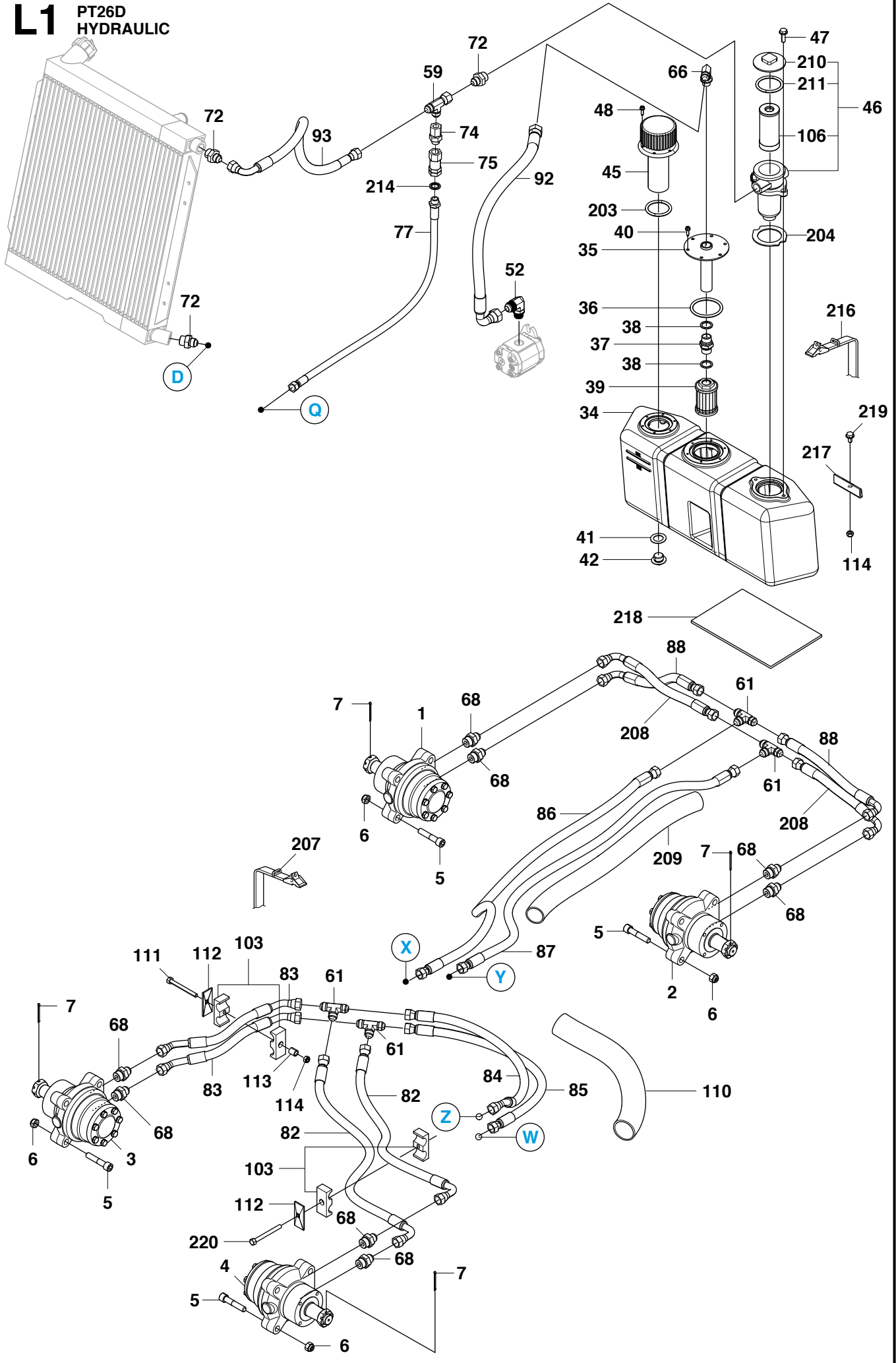
K3 PT26D
ELECTRIC



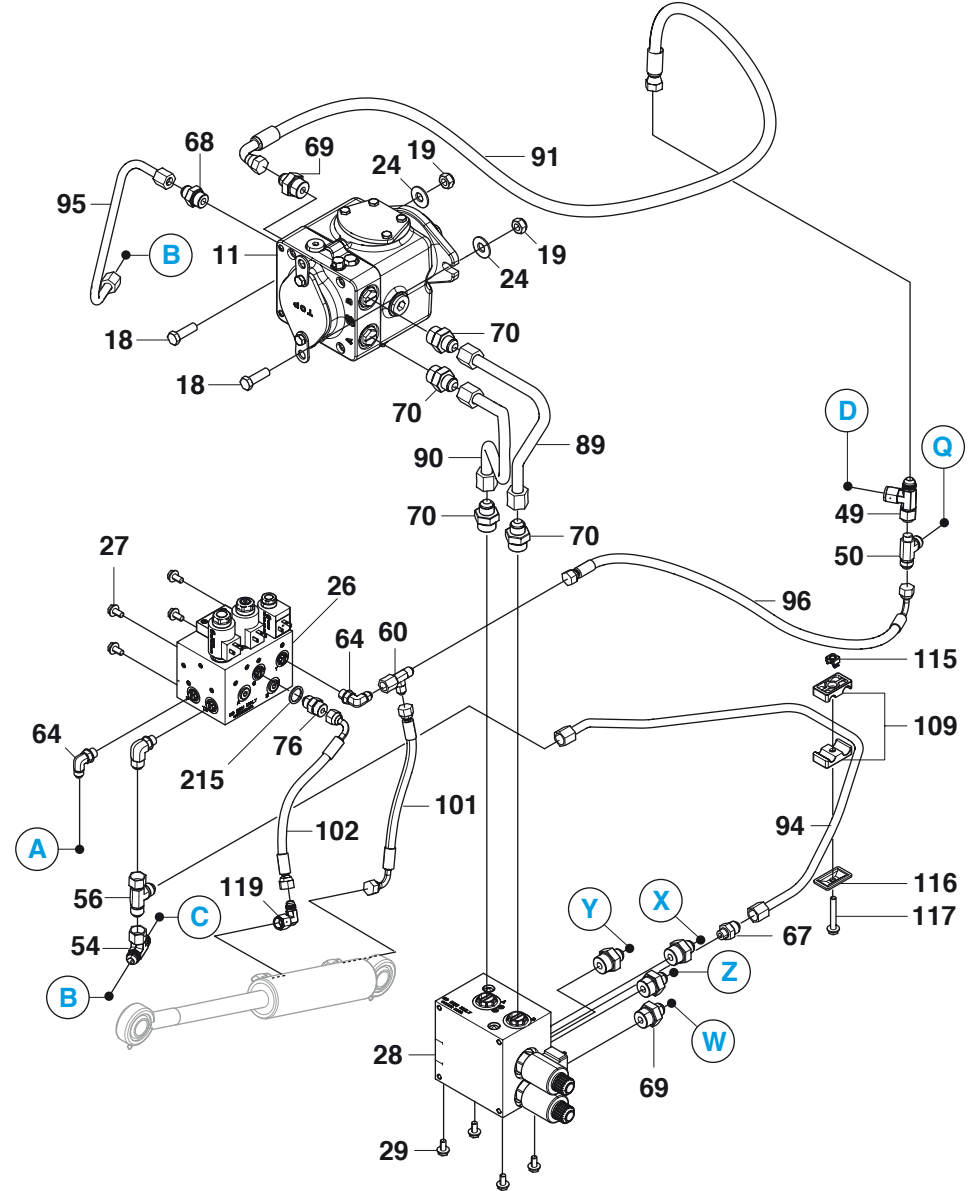
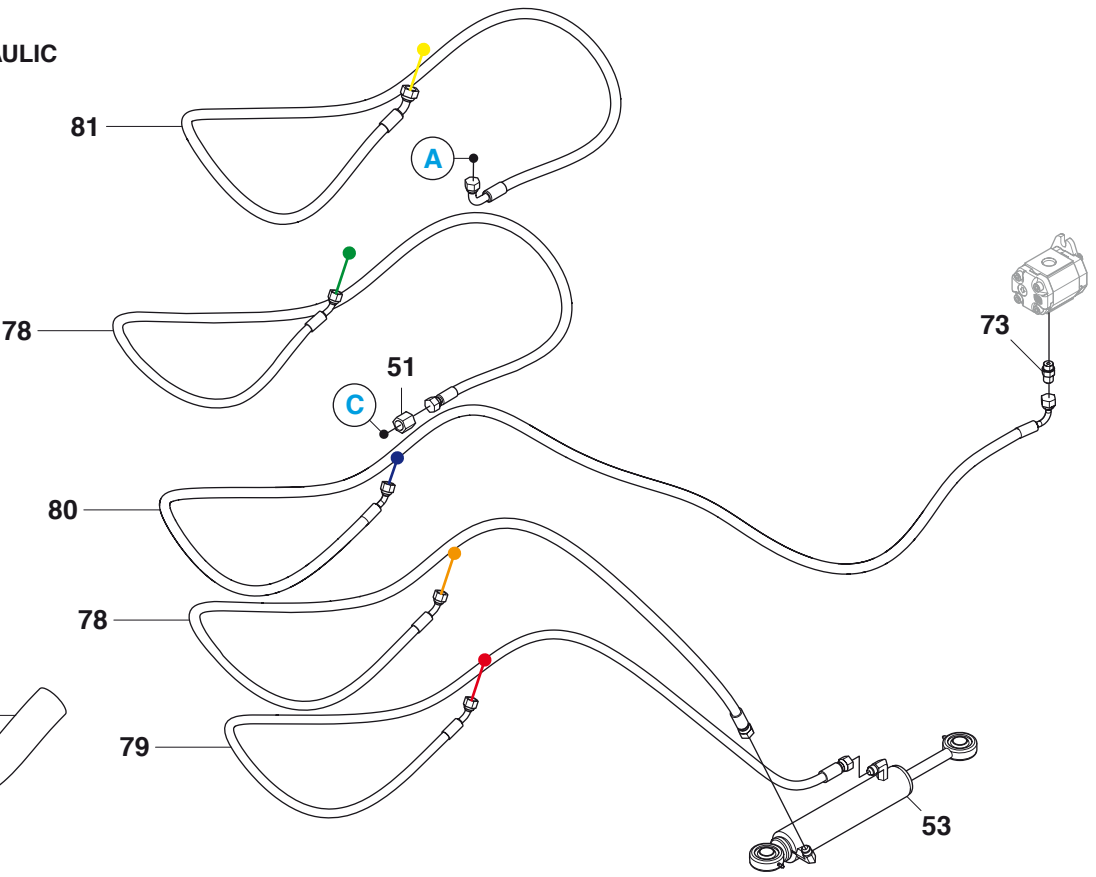
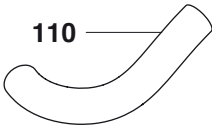
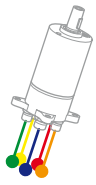
Page K PT26D ELECTRIC				
Position	Article	Quantity	Notes	Kit
1	540 05 92-01	1	REGLAGEKAPA	
2	535 42 58-02	5	SKRUV,MK6S 6X20 SV	
3	535 42 91-01	5	FJÄDERMUTTER M6	
4	510 16 94-01	1	FÄSTE KPL,CONTROL PA	
5	510 16 93-01	1		
6	510 44 16-01	1	JOYSTICK, APEM	
7	522 02 48-01	1	PLÅT,CONTROL PANEL L	
8	535 47 52-12	3	SKRUV EHHFM,6X12 FZB	
9	544 38 15-01	4	BUSSNING,BLIND	
10	544 98 33-01	1	STYRKORT,ELECTRONIC	
11	725 23 31-51	6	SKRUV,M6S 5X20-8.8FZ	
12	544 33 78-01	6	MUTTER,5X8	
13	732 21 14-01	6	LÅSMUTTER, M5	
14	544 32 43-01	1	FUSE 7,5 amp.	
15	544 32 43-02	8	FUSE 10 amp.	
16	544 32 43-04	2	FUSE 20 amp.	
17	502 08 45-01	10	COVER	
18	504 00 81-01	1	KLÄMMA,FUSE EXTRACTO	
19	544 31 21-01	1	BRYTARE,12V	
20	544 31 24-01	1	BRYTARE,HIGH SPEED	
21	544 31 25-01	1	BRYTARE,FLOATING	
22	544 31 34-01	1	BRYTARE,HEAD LAMP	
23	544 31 55-01	1	JOYSTICK, CALDARO	
24	544 40 43-01	1	LÅSBRICKA,PTO	
25	504 06 13-01	5	BRYTARE, BLIND	
26	544 31 37-01	1	BRYTARE,PTO	
27	544 31 52-01	1	NYCKELBRYTARE,ASSY	
28	544 31 50-01	1	UTTAG,12 V	
29	544 31 51-01	1	TIMMÅTARE,ASSY	
30	540 05 57-01	1	BRICKA,HOUR METER	
31	722 78 29-02	2	POPNIIT 3,2x13,3	
32	522 45 74-01	1	DEKAL,KIT CONTROL PA	
33	544 25 54-01	1	GASHANDTAG KPL	
34	535 41 56-19	2	FLÅNSSKRUV ST4.8X19	
35	522 45 75-01	1	DEKAL,KIT CONTROL PA	
36	510 44 17-01	1	KABLAGE,ENGINESTART	
37	521 91 00-01	1	KABLAGE,GENERATOR	
38	544 36 80-01	1	SENSOR,ENGINE TEMPER	
39	544 32 24-01	1	KABLAGE,INDICATION	
40	522 43 73-01	1	KABLAGE,SENSOR FRONT	
41	521 91 01-01	1	KABLAGE,HYDRAULICS	
42	544 36 98-01	1	KABLAGE,POWER RELAY	
43	544 37 28-01	1	KABLAGE, START ENGINE	
44	544 32 35-01	1	KABLAGE,BATTERY -	
45	544 32 37-01	1	JORDKABEL	
46	544 32 32-01	1	KABLAGE, BATTERY +	
47	544 36 96-01	1	FUSE, 125 AMP.	
48	544 36 97-01	1	KABLAGE, FUSE POWER	
49	501 98 11-01	1	KABLAGE, FUSE POWER	
50	521 92 68-01	1	RELÅ, POWER	
51	544 33 97-01	1	BRACKET, POWER RELÅ	
52	504 00 63-01	1	HOLDER, FUSE	
53	501 00 75-01	1	BRACKET, FUSE HOLDER	
54	501 96 55-01	1	FUSE, 50 AMP.	
55	501 01 40-01	1	HOLDER, FUSE.50 AMP.	
56	506 57 01-04	1	SKRUV EHHFM,8X20	
57	732 21 18-01	2	LÅSMUTTER,M8-8	
58	734 11 64-01	2	BRICKA,BRB 8.4X17	
59	544 32 14-01	1	HÅLLARE, 7,5	
60	544 32 14-02	4	HÅLLARE,10	
61	544 32 14-03	12	HÅLLARE,13	
62	544 32 15-01	16	HÅLLARE,LID	
63	544 29 13-02	16	SKRUV,TORX 5X12	
64	544 29 13-03	1	SKRUV TORX, 4x16	
65	732 21 14-01	16	LÅSMUTTER, M5	
66	732 21 12-01	1	LOCKNUT, M4	
67	544 37 31-01	1	FÄSTE,WIRING	

Page K		PT26D		ELECTRIC	
Position	Article	Quantity	Notes	Kit	
68	544 33 51-02	1	FÄSTE,WIRING		
69	544 33 51-01	1	FÄSTE,WIRING		
70	506 57 01-03	4	SKRUV EHHFM,8X16		
71	544 28 85-01	1	BATTERI		
72	544 33 37-01	1	BATTERILÅDA		
73	544 33 38-01	1	FÄSTE,BATTERY		
74	506 57 01-05	1	SKRUV EHHFM,8X25		
75	506 57 01-03	6	SKRUV EHHFM,8X16		
76	732 21 18-01	4	LÅSMUTTER,M8-8		
78	725 23 66-71	4	SKRUV EHHM,6X12 8.8		
80	734 11 56-01	1	BRICKA BRB 6.7X14 FZ		
81	544 26 94-01	1	FÄSTE,SENSOR LIFT		
82	725 23 81-51	2	SKRUV,M6S 6X55-8.8		
83	732 21 16-01	2	MUTTER M6 LOC		
84	733 78 40-23	2	SNABBLÅSMUTTER		
85	503 21 28-10	4	SCREW 3,5X9,5		
86	510 17 42-01	1	WASHER,JOYSTICK		
87	732 21 18-01	4	NUT		
88	535 47 60-01	1	KEY		
89	522 61 25-01	3	SENSOR		
90	522 61 76-01	6	NUT		

L1 PT26D HYDRAULIC



L2 PT26D HYDRAULIC



Page L		PT26D		HYDRAULIC	
Position	Article	Quantity	Notes	Kit	
1	544 17 20-01	1	HJULMOTOR, 125 CW		
2	544 17 21-01	1	HJULMOTOR, 125 CCW		
3	544 17 22-01	1	HJULMOTOR, 160 CW		
4	544 17 23-01	1	HJULMOTOR, 160 CCW		
5	544 25 63-01	16	SKRUV IHSCM, 12X60		
6	732 25 22-01	16	MUTTER M12 LOC		
7	721 61 87-01	4	SAXPINNE SP 3.2X40		
11	510 02 04-01	1	HYDRAULPUMP		
18	725 25 40-71	2	SKRUV, M6S12X40-8.8FZ		
19	732 25 22-01	2	MUTTER M12 LOC		
24	535 42 92-01	2	BRICKA		
26	544 20 15-01	1	VENTILBLOCK, LIFT LOW		
27	506 57 01-03	4	SKRUV EHHFM, 8X16		
28	544 20 14-01	1	VENTILBLOCK, TRANSMIS		
29	506 57 01-03	4	SKRUV EHHFM, 8X16		
34	516 03 96-01	1	HYDRALIC TANK		
35	522 03 34-01	1	PIPE ASSY.		
36	544 04 65-05	1	GASKET		
37	544 00 97-01	1	PIPE FITTING		
38	544 01 00-01	2	GASKET		
39	544 00 19-01	1	FILTER		
40	535 41 56-19	6	FLÄNSSKRUV ST4.8x19		
41	522 47 13-01	1	GASKET		
42	522 47 12-01	1	SCREW		
45	544 17 64-01	1	TANKLOCK		
46	544 17 65-01	1	FILTERHÅLLARE		
47	506 57 01-03	3	SKRUV EHHFM, 8x16		
48	535 41 56-19	6	LÅSMUTTER, M5		
49	535 42 68-02	1	RÖRKOPPLING, JIC-JIC-JIC T		
50	544 34 73-01	1	RÖRKOPPLING, JIC-JIC-JIC L		
51	510 04 30-01	1	RÖRKOPPLING		
52	535 42 66-07	1	RÖRKOPPLING		
53	544 17 62-01	1	HYDRAULCYLINDER		
54	522 73 33-01	1	RÖRKOPPLING		
56	544 34 73-01	1	RÖRKOPPLING, JIC-UNF		
59	544 34 73-01	3	RÖRKOPPLING, JIC-JIC-		
60	544 34 73-02	2	RÖRKOPPLING, JIC-JIC-		
61	544 01 56-01	5	RÖRKOPPLING, JIC T 3/		
64	535 42 66-01	3	RÖRKOPPLING, JIC-UNF		
66	535 43 73-03	1	RÖRKOPPLING, JIC-BSPP		
67	535 42 65-02	1	PIPE FITTING		
68	535 42 65-04	10	RÖRKOPPLING, JIC-UNF		
69	535 42 65-05	4	RÖRKOPPLING, JIC-UNF		
70	535 42 65-06	2	RÖRKOPPLING, JIC-UNF		
72	535 42 68-02	2	RÖRKOPPLING, JIC-BSPP		
73	535 42 65-03	1	RÖRKOPPLING, JIC-BSPP		
74	544 01 57-01	1	RÖRKOPPLING, JIC-BSPP		
75	544 01 54-03	1	CHECK VALVE, 2BAR		
76	535 43 71-02	1	RÖRKOPPLING, JIC-BSPP		
77	544 38 44-02	1	HYDRAULSLANG, 3/8"		
78	544 30 58-01	2	HYDRAULSLANG, 1/4" 10		
79	544 30 58-03	1	HYDRAULSLANG		
80	544 36 71-02	1	HYDRAULSLANG		
81	544 36 71-01	1	HYDRAULSLANG, 3/8"		
82	544 30 54-03	2	HYDRAULSLANG, 1/2" 27		
83	544 40 39-01	2	HYDRAULSLANG, 1/2"		
84	544 30 54-03	1	HYDRAULSLANG		
85	544 93 36-05	1	HYDRAULSLANG		
86	544 93 36-03	1	HYDRAULSLANG, 1/2"		
87	544 93 36-05	1	HYDRAULSLANG, 1/2"		
88	544 30 55-08	2	HYDRAULSLANG		
89	506 48 85-01	1	HYDRAULSLANG, 5/8" 27		
90	506 48 86-01	1	HYDRAULSLANG, 5/8" 27		
91	544 30 55-10	2	HYDRAULSLANG, 3/8"		
92	544 38 34-01	1	HYDRAULSLANG, 5/8"		
93	544 30 55-07	1	HYDRAULSLANG		
94	506 48 84-01	1	HYDRAULSLANG		
95	506 48 83-01	1	HYDRAULSLANG, 3/8"		
96	544 36 69-02	1	HYDRAULSLANG, 3/8"		

Page L		PT26D		HYDRAULIC	
Position	Article	Quantity	Notes	Kit	
101	544 35 72-02	1	HYDRAULSLANG		
102	544 35 73-02	1	HYDRAULSLANG		
103	544 37 33-01	2	RÖRHÅLLARE,ASSY Ø20X		
106	544 42 72-01	1	FILTER, HYDRAULIC		
109	522 62 42-01	1	PIPE CLAMP		
110	505 45 38-01	2	HOSE GUARD		
111	725 24 67-51	1	SCREW		
112	544 37 38-01	2	COVER PLATE		
113	504 61 61-01	1	TUBE		
114	732 21 18-01	2	MUTTER		
115	544 81 17-01	1	CAGE NUT, M8		
116	544 37 38-01	1	COVER PLATE		
117	506 57 01-03	1	SKRUV M6S, 8x80 8.8		
119	544 02 67-02	1	RÖRKOPPLING		
203	544 04 65-03	1	PACKNING,HYDRAULIC T		
204	522 49 45-01	1	PACKNING,HYDRAULIC T		
206	725 24 62-51	1	SKRUV M6S 8X55 FZ		
207	506 83 68-03	1	BATTERIREM		
208	544 30 55-09	2	HYDRAULSLANG		
209	544 02 66-04	1	SLANGSKYDD		
210	544 17 65-01	1	LOCK, HYDRUALIC		
211	544 04 65-03	1	PACKNING,HYDRAULIC T		
214	535 43 72-03	1	GUMMISTÅLBRICKA, G 3/		
215	544 04 65-02	1	O-RING,12X2 NITRIL		
216	506 83 68-04	2	BATTERI BELT		
217	525 39 15-01	2	BRACKET, HYDRAULIC T		
218	535 44 11-01	2	BATTERI MAT.		
219	506 57 01-04	2	SCREW EHHFM 8x20		
220	725 24 62-51	1	SCREW M8x55		

M PT26D
DECALS



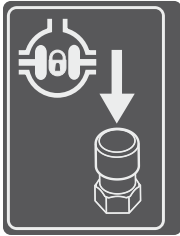
6



7



8



11



1



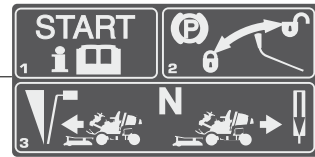
2



3



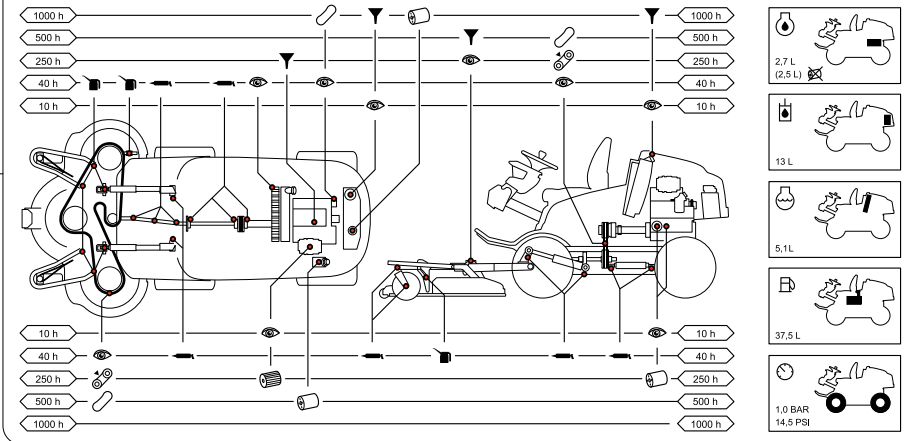
4



5

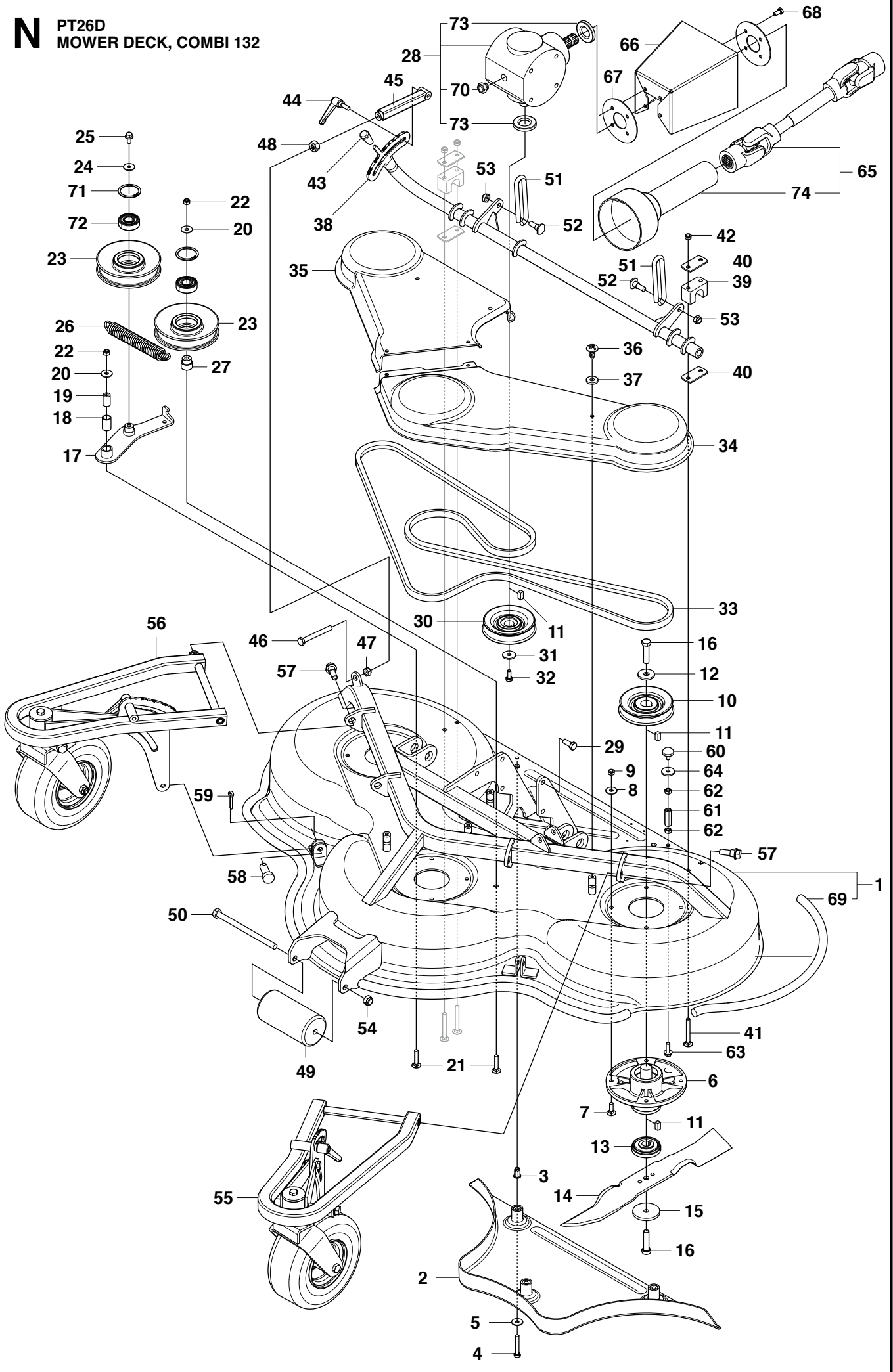
QUICKMAINTENANCE GUIDE FOR PT26D

10



Page M		PT26D		DECALS	
Position	Article	Quantity	Notes	Kit	
1	544 39 11-01	2	DEKAL,HUSQVARNA		
2	544 39 12-01	1	DEKAL,PT26D		
3	544 39 13-01	2	DEKAL,PT26D COMMERC		
4	544 39 14-01	2	VARNINGSDEKAL,DANGER		
5	522 44 63-01	1	DEKAL,START INFO		
6	544 39 16-01	1	VARNINGSDEKAL,PROHIB		
7	535 50 51-01	1	DEKAL,4X4		
8	505 21 77-04	1	STANDARDDEKAL,104 dB		
10	504 10 78-02	1	DEKAL,QUICK MAINTENA		
11	522 75 78-01	1	DEKAL, DIFFERENTIAL P.		

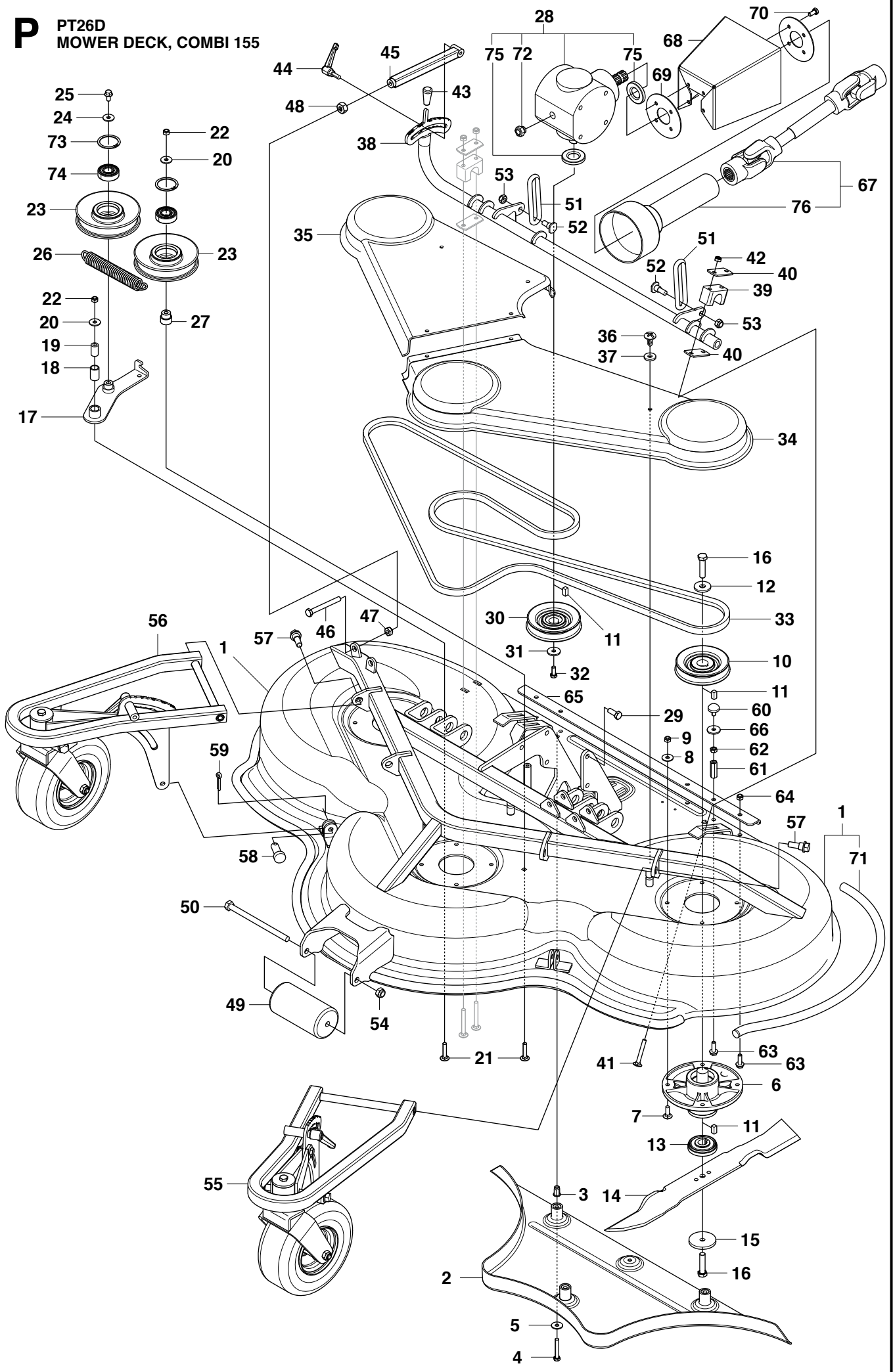
N PT26D
MOWER DECK, COMBI 132



Page N		PT26D		MOWERDECK, COMBI 132	
Position	Article	Quantity	Notes	Kit	
1	544 16 25-02	1	KLIPPKÅPA KPL,C132		
2	544 16 62-02	1	PLUGG KPL,C132		
3	506 91 62-03	3	BLINDNITMUTTER,M8X19		
4	725 24 61-51	3	SKRUV M6S 8X50 FZ		
5	734 11 64-01	3	BRICKA,BRB 8.4X17		
6	535 42 86-02	3	KNIVLAGRING KPL,OUTER		
7	535 42 38-01	12	SKRUV,MVBF M8X25 GK		
8	734 11 64-01	12	BRICKA,BRB 8.4X17		
9	732 21 18-01	12	LÅSMUTTER,M8-8		
10	544 25 56-01	3	REMSKIVA,SPB DP118 C		
11	506 53 35-01	7	PLATTKIL,6X6X14		
12	535 42 92-01	3	BRICKA		
13	535 50 42-01	3	KNIVFÄSTE,XP		
14	544 17 57-01	3	KNIV,C132		
15	506 79 23-02	3	KNIVBRICKA		
16	725 25 42-51	6	SKRUV EHHM,12X50 8.8		
17	544 17 55-01	1	REMSPÄNNARE,CUTTING		
18	506 98 61-03	1	BUSSNING		
19	506 99 20-01	1	RÖR,LAGRING		
20	734 11 64-41	2	BRICKA SRKB 8.4/25X2		
21	727 64 59-51	2	SKRUV RSQM,8X40 8.8		
22	732 21 18-01	2	LÅSMUTTER,M8-8		
23	523 11 62-01	2	REMSPÄNNARHJUL KPL,A		
24	734 11 64-41	1	BRICKA SRKB 8.4/25X2		
25	725 24 49-61	1	SKRUV,M6SF 8X16 TAPT		
26	544 21 81-05	1	DRAGFJÄDER,L=122		
27	535 48 48-01	1	BUSSNING		
28	544 18 34-01	1	VINKELVÅXEL		
29	725 24 93-71	5	SKRUV M6S 10x25 FZ		
30	504 87 74-01	1	REMSKIVA,SPB DP118		
31	544 22 16-01	1	BRICKA,8.4X29X3		
32	725 24 51-71	1	SKRUV M6S 8x20 FZ		
33	504 87 73-01	1	REM,C132		
34	544 18 45-01	1	REMKÅPA,C132 L		
35	544 18 46-01	1	REMKÅPA,C132 R		
36	506 98 26-01	5	SKRUV		
37	506 55 97-01	5	GUMMIBRICKA		
38	544 17 52-01	1	TVÅRSTAG		
39	504 19 03-01	2	LAGERÖVERFALL,Ø25		
40	506 81 38-01	4	FÖRSTÄRKNINGSPLÅT		
41	535 42 38-02	4	SKRUV,MVBF M8X55 GK		
42	732 21 18-01	4	LÅSMUTTER,M8-8		
43	535 43 82-01	1	KNOPP		
44	544 19 68-01	1	VRED,M 8		
45	544 20 10-01	1	PARALLELLSTÅNG,C 132		
46	725 25 09-71	1	SCREW		
47	732 21 20-01	1	MUTTER,M10 LOC		
48	731 23 20-51	1	MUTTER M10 FZ		
49	544 18 54-01	1	RULLE		
50	544 22 10-01	1	SKRUV EHHM,M12X180		
51	544 18 50-01	2	LÄNK		
52	544 21 43-01	2	SKRUV,LINK		
53	732 21 20-51	2	MUTTER M10-LOCK		
54	732 25 22-01	1	MUTTER M12 LOC		
55	544 17 32-01	1	HJULUPPHÅNGNING,LEFT		

Page N		PT26D		MOWERDECK, COMBI 132	
Position	Article	Quantity	Notes	Kit	
56	544 17 32-02	1	HJULUPPHÅNGNING,RIGHT		
57	506 89 58-01	4	ANSATSSKRUV		
58	721 84 56-01	2	BULT,10X25 FZB		
59	721 61 83-01	2	SAXSPRINT 3.2x25		
60	501 97 66-01	2	VIBRATIONISOLATOR		
61	544 31 76-01	2	DISTANSHYLSA,SEAT		
62	731 23 18-01	4	MUTTER M6M8 FZ		
63	506 57 01-04	2	SKRUV EHHFM,8X20		
64	734 11 64-41	2	BRICKA SRKB 8.4/25X2		
65	525 57 12-01	1	SHAFT ASSY		
66	522 75 00-01	1	PROTECTION		
67	522 75 01-01	2	ATTACHMENT PLATE		
68	506 57 01-04	4	SKRUV M8X20		
69	522 52 35-01	2	REINFORCEMENT		
70	525 24 97-01	1	WINDOW		
71	735 31 40-10	2	CIRCLIP		
72	738 22 04-19	2	BALL BEARING		
73	525 24 98-01	1	GASKET		
74	522 75 02-01	1	SAFETY GUARD		

P PT26D
MOWER DECK, COMBI 155



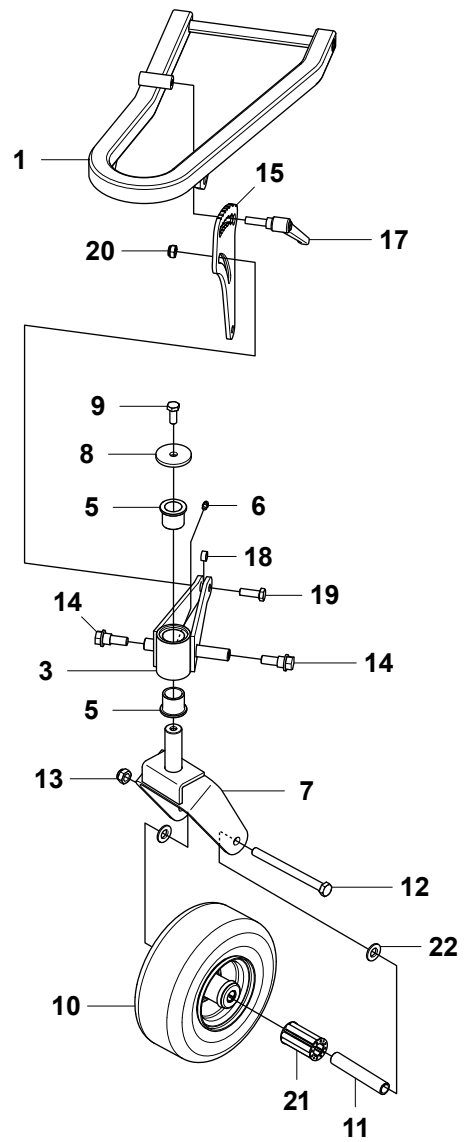
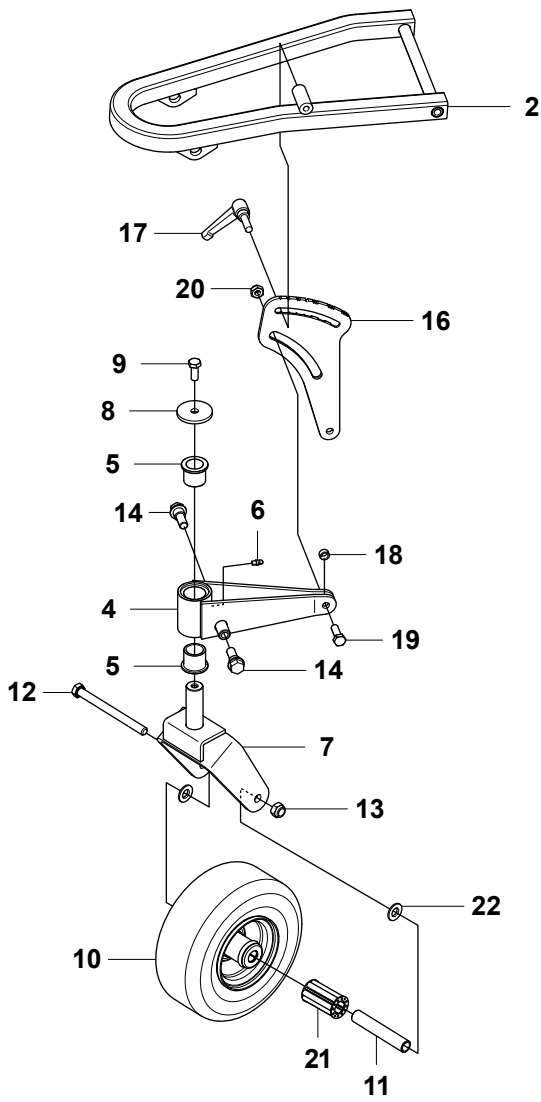
Page P		PT26D		MOWERDECK, COMBI 155	
Position	Article	Quantity	Notes	Kit	
1	544 16 29-02	1	KLIPPKÅPA KPL,C155		
2	544 16 64-02	1	PLUGG KPL,C155		
3	506 91 62-03	3	BLINDNITMUTTER,M8X19		
4	725 24 61-51	3	SKRUV M6S 8X50 FZ		
5	734 11 64-01	3	BRICKA,BRB 8.4X17		
6	535 42 86-02	3	KNIVLAGRING KPL,OUTE		
7	535 42 38-01	12	SKRUV,MVBF M8X25 GK		
8	734 11 64-01	12	BRICKA,BRB 8.4X17		
9	732 21 18-01	12	LÅSMUTTER,M8-8		
10	544 25 56-01	3	REMSKIVA,SPB DP118 C		
11	506 53 35-01	7	PLATTKIL,6X6X14		
12	535 42 92-01	3	BRICKA		
13	535 50 42-01	3	KNIVFÄSTE,XP		
14	544 17 58-01	3	KNIV,C155		
15	506 79 23-02	3	KNIVBRICKA		
16	725 25 42-51	6	SKRUV EHHM,12X50 8.8		
17	544 17 55-01	1	REMSPÄNNARE,CUTTING		
18	506 98 61-03	1	BUSSNING		
19	506 99 20-01	1	RÖR,LAGRING		
20	734 11 64-41	2	BRICKA SRKB 8.4/25X2		
21	727 64 59-51	2	SKRUV RSQM,8X40 8.8		
22	732 21 18-01	2	LÅSMUTTER,M8-8		
23	523 11 62-01	2	REMSPÄNNARHJUL KPL,A		
24	734 11 64-41	1	BRICKA SRKB 8.4/25X2		
25	725 24 49-61	1	SKRUV,M6SF 8X16 TAPT		
26	544 21 81-05	1	DRAGFJÄDER,L=122		
27	535 48 48-01	1	BUSSNING		
28	544 18 34-01	1	VINKELVÅXEL		
29	725 24 93-71	5	SKRUV M6S 10x25 FZ		
30	544 18 40-01	1	REMSKIVA,SPB DP106		
31	544 22 16-01	1	BRICKA,8.4X29X3		
32	725 24 51-71	1	SKRUV M6S 8x20 FZ		
33	544 18 36-01	1	REM,C155		
34	544 18 47-01	1	REMKÅPA,C155 L		
35	544 18 48-01	1	REMKÅPA,C155 R		
36	506 98 26-01	5	SKRUV		
37	506 55 97-01	5	GUMMIBRICKA		
38	544 17 52-01	1	TVÅRSTAG		
39	504 19 03-01	3	LAGERÖVERFALL,Ø25		
40	506 81 38-01	5	FÖRSTÄRKNINGSPLAT		
41	535 42 38-02	6	SKRUV,MVBF M8X55 GK		
42	732 21 18-01	6	LÅSMUTTER,M8-8		
43	535 43 82-01	1	KNOPP		
44	544 19 68-01	1	VRED,M 8		
45	544 20 11-01	1	PARALLELLSTÅNG,C 155		
46	725 25 09-71	1	SCREW		
47	732 21 20-01	1	MUTTER,M10 LOC		
48	731 23 20-51	1	MUTTER M10 FZ		
49	544 18 54-01	1	RULLE		
50	544 22 10-01	1	SKRUV EHHM,M12X180		
51	544 18 50-01	2	LÄNK		
52	544 21 43-01	2	SKRUV,LINK		
53	732 21 20-51	2	MUTTER M10-LOCK		
54	732 25 22-01	1	MUTTER M12 LOC		
55	544 17 32-01	1	HJULUPPHÅNGNING,LEFT		

Page P		PT26D		MOWERDECK, COMBI 155	
Position	Article	Quantity	Notes	Kit	
56	544 17 32-02	1	HJULUPPHÅNGNING,RIGH		
57	506 89 58-01	4	ANSATSSKRUV		
58	721 84 56-01	2	BULT,10X25 FZB		
59	721 61 83-01	2	SAXSPRINT 3.2x25		
60	501 97 66-01	2	VIBRATIONISOLATOR		
61	544 31 76-01	2	DISTANSHYLSA,SEAT		
62	731 23 18-01	2	MUTTER M6M8 FZ		
63	506 57 01-04	5	SKRUV EHHFM,8X20		
64	732 21 18-01	3	LÅSMUTTER,M8-8		
65	501 97 67-01	1	FÖRSTÄRKNINGSPLÅT,DE		
66	734 11 64-41	2	BRICKA SRKB 8.4/25X2		
67	525 57 12-01	1	SHAFT ASSY		
68	522 75 00-01	1	PROTECTION		
69	522 75 01-01	2	ATTACHMENT PLATE		
70	506 57 01-04	4	SKRUV M8		
71	522 52 36-01	2	REINFORCEMENT		
72	525 24 97-01	1	WINDOW		
73	735 31 40-10	2	CIRCLIP		
74	738 22 04-19	2	BALL BEARING		
75	525 24 98-01	1	GASKET		
76	522 75 02-01	1	SAFETY GUARD		

Q PT26D
SUPPORT WHEELS, COMBI 132, COMBI 155

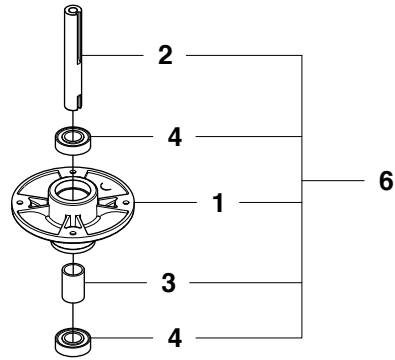
56

55

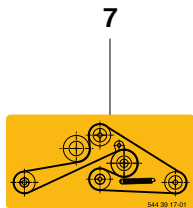


Page Q		PT26D		SUPPORT WHEELS, COMBI 132, COMBI 155	
Position	Article	Quantity	Notes	Kit	
1	544 17 35-01	1	BÄRARM,LEFT	55	
2	544 17 35-02	1	BÄRARM,RIGHT	56	
3	544 17 33-01	1	PIVOTHJULSFÄSTE,LEFT	55	
4	544 17 33-02	1	PIVOTHJULSFÄSTE,RIGHT	56	
5	544 17 41-02	2	LAGERBUSSNING,FLANGER	55, 56	
6	738 88 10-01	1	SMÖRJNIPPEL,AH M6 FZ	55, 56	
7	544 17 34-01	1	GAFFEL,PIVOT WHEEL	55, 56	
8	506 98 25-01	1	BRICKA	55, 56	
9	506 67 54-01	1	FLÄNSSKRUV	55, 56	
10	539 10 45-56	1	TIRE & WHEEL ASSEMBL	55, 56	
11	539 10 18-72	1	SPACER	55, 56	
12	725 25 59-51	1	SKRUV EHHM,12X140 FZ	55, 56	
13	732 21 22-01	1	MUTTER LOC-KING 12	55, 56	
14	506 89 58-01	2	ANSATSSKRUV	55, 56	
15	544 17 50-01	1	PLÅT,HEIGHT ADJUSTER	55	
16	544 17 50-02	1	PLÅT,HEIGHT ADJUSTER	56	
17	544 19 18-01	1	VRED,M 10	55, 56	
18	544 20 02-01	1	HYLSA,PIVOT WHEEL SU	55, 56	
19	725 24 95-71	1	SKRUV M6S M10X30 FZ	55, 56	
20	732 21 20-51	1	MUTTER M10-LOCK	55, 56	
21	539 97 73-53	1	NÄLLAGER	55, 56	
22	539 97 73-56	2	WASHER	55, 56	
55	544 17 32-01	1	HJULUPPHÄNGNING,LEFT		
56	544 17 32-02	1	HJULUPPHÄNGNING,RIGHT		

R PT26D
SPINDLES, COMBI 132, COMBI 155



Page R		PT26D		SPINDLES, COMBI 132, COMBI 155	
Position	Article	Quantity	Notes	Kit	
1	535 42 89-01	1	LAGERHUS	6	
2	535 42 87-02	1	AXEL	6	
3	535 42 88-01	1	DISTANS	6	
4	738 22 05-19	2	KULLAGER 6205 2RS1	6	
6	535 42 86-02	3	KNIVLAGRING KPL, OUTER		



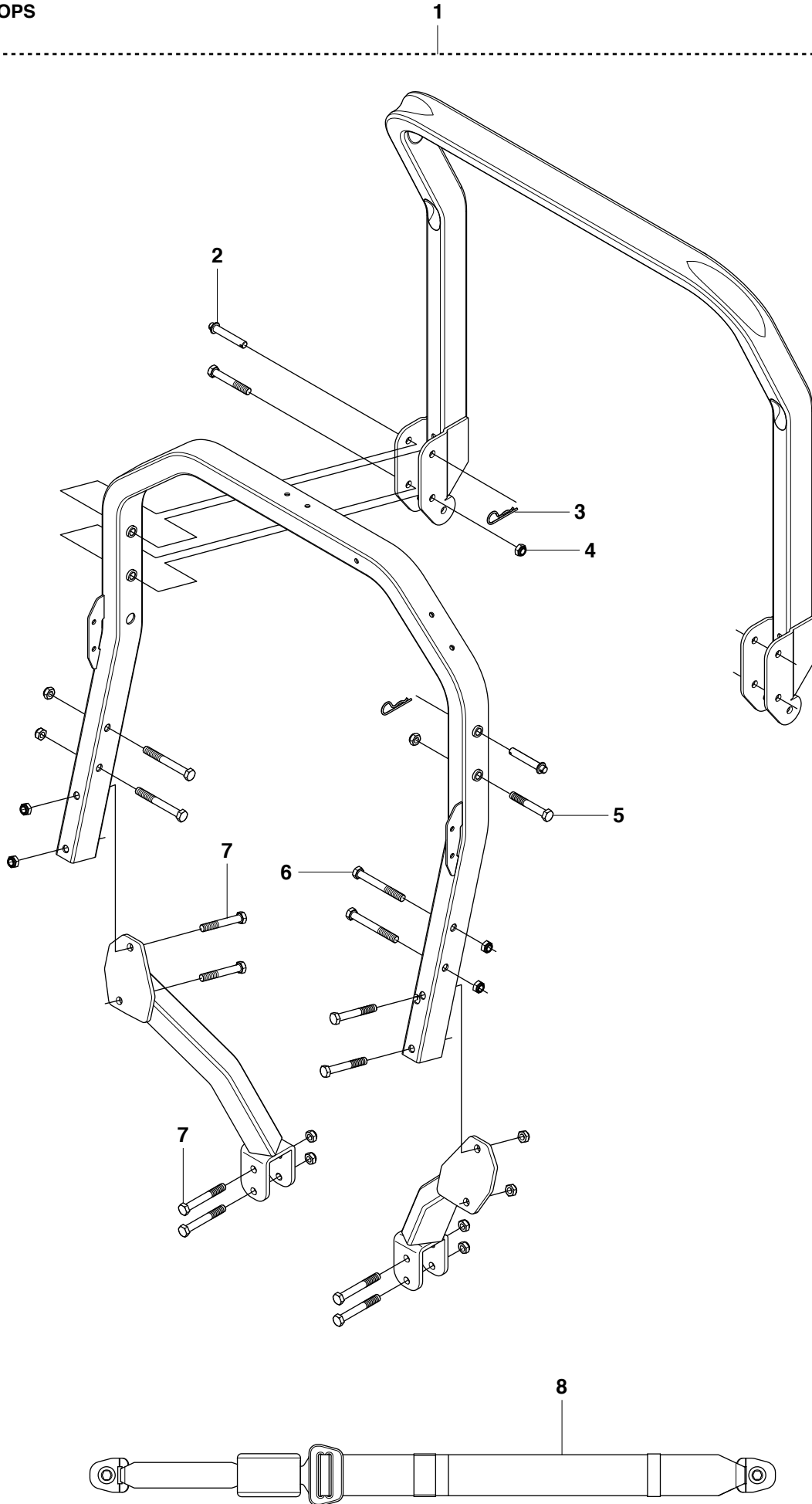
9 — ***Combi 132***

10 — ***Combi 155***



Page S		PT26D		DECALS, COMBI 132, COMBI 155	
Position	Article	Quantity	Notes	Kit	
7	544 39 17-01	1	DEKAL, BELT DIAGRAM		
8	506 92 90-01	1	DEKAL, CE		
9	544 24 56-01	1	DEKAL, COMBI 132		
10	544 24 56-02	1	DEKAL, COMBI 155		
11	574 51 00-01	2	DEKAL, WARNING		

T PT26D
ROPS



Page T		PT26D		ROPS	
Position	Article	Quantity	Notes	Kit	
1	965 14 28-01	1			
2	522 71 63-01	2		1	
3	721 68 02-51	2		1	
4	732 25 22-01	14		1	
5	725 25 48-81	2		1	
6	725 25 52-81	4		1	
7	725 25 50-81	8		1	
8	544 91 43-01	1		1	