

# LT1597

**Spare parts**

**Ersatzteile**

**Pièces détachées**

**Reserve onderdelen**

**Repuestos**

**Reservdelar**

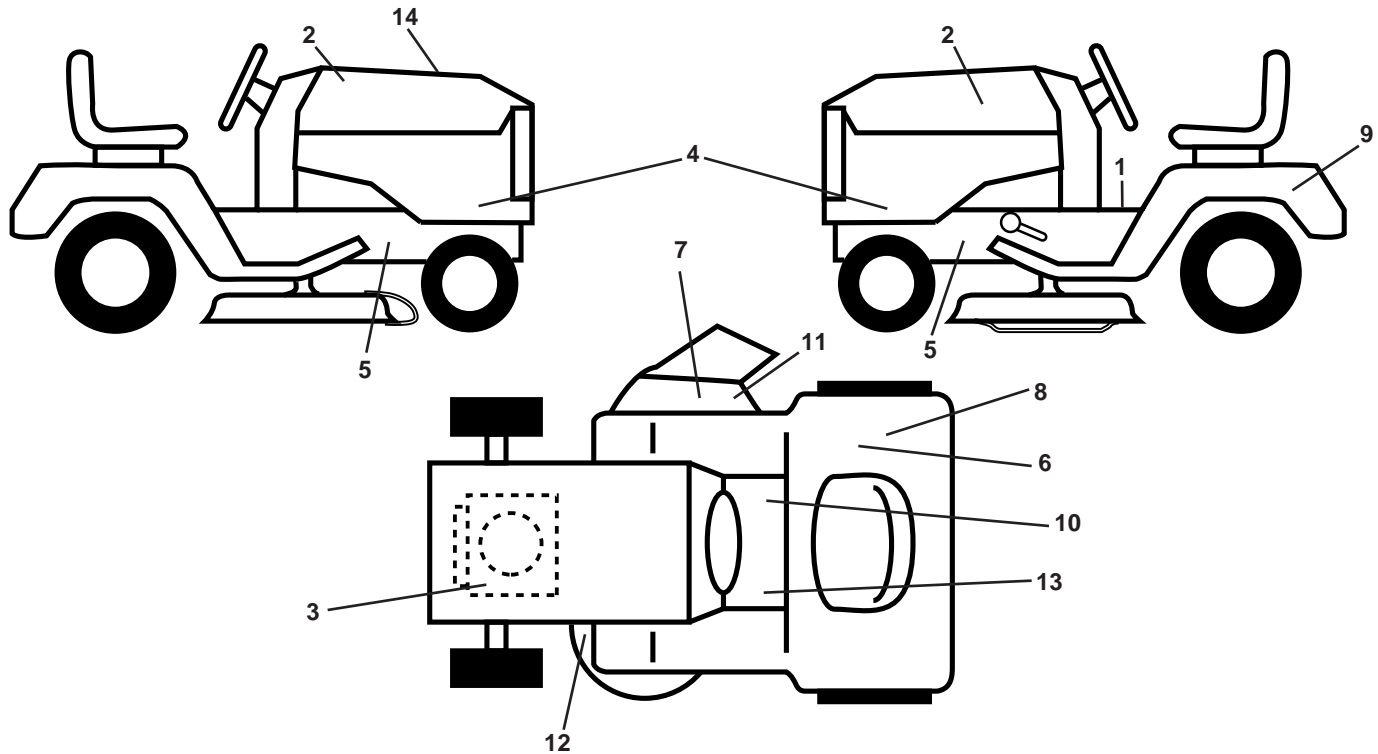
# **ILLUSTRATED PARTS LIST**

**MODEL NO. 96041005008**

**CUSTOMER CATALOG NO. LT1597**

**PRODUCT NO. 960 41 00-50**

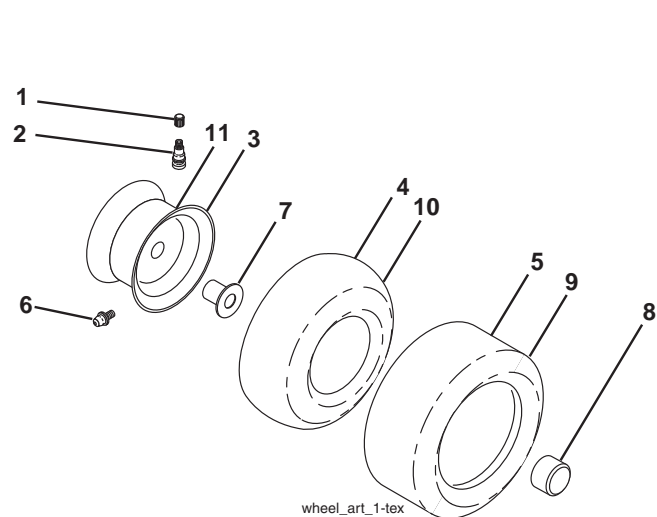
**TRACTOR - - MODEL NO. LT1597 (96041005008), PRODUCT NO. 960 41 00-50  
DECALS 27**



| KEY NO. | PART NO.     | DESCRIPTION                 |
|---------|--------------|-----------------------------|
| 1       | 532 40 03-89 | Decal, Operators            |
| 2       | 532 42 91-96 | Decal, Hood                 |
| 3       | 532 19 68-41 | Decal, Warning Eng. Symbols |
| 4       | 532 44 38-48 | Decal, Sdpnl                |
| 5       | 532 15 97-36 | Decal, Chassis Hot Muffler  |
| 6       | 532 12 44-33 | Decal, 80 DBA               |
| 7       | 532 18 21-66 | Decal, Cutfinger CE         |
| 8       | 532 16 88-69 | Decal, Tick Mark            |
| 9       | 532 14 50-05 | Decal, Battery Dnge/Poi     |

| KEY NO. | PART NO.     | DESCRIPTION                   |
|---------|--------------|-------------------------------|
| 10      | 532 14 08-37 | Decal, Saddle Brake Parking   |
| 11      | 532 19 63-57 | Decal, Warning                |
| 12      | 532 19 43-02 | Decal, Mower V-Belt Schematic |
| 13      | 532 15 97-37 | Decal, Brake/Clutch Symbol    |
| 14      | 532 43 20-42 | Decal, Replacement            |
| --      | 532 41 08-05 | Pad, Footrest, LH             |
| --      | 532 41 10-56 | Pad, Footrest, RH             |
| --      | 532 16 25-98 | Decal, Drawbar Load Limit     |
| --      | 532 43 50-32 | Manual Oper. English          |

**WHEELS AND TIRES**

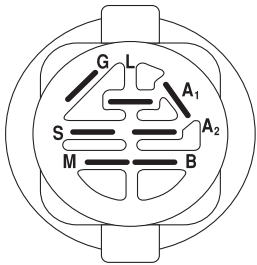
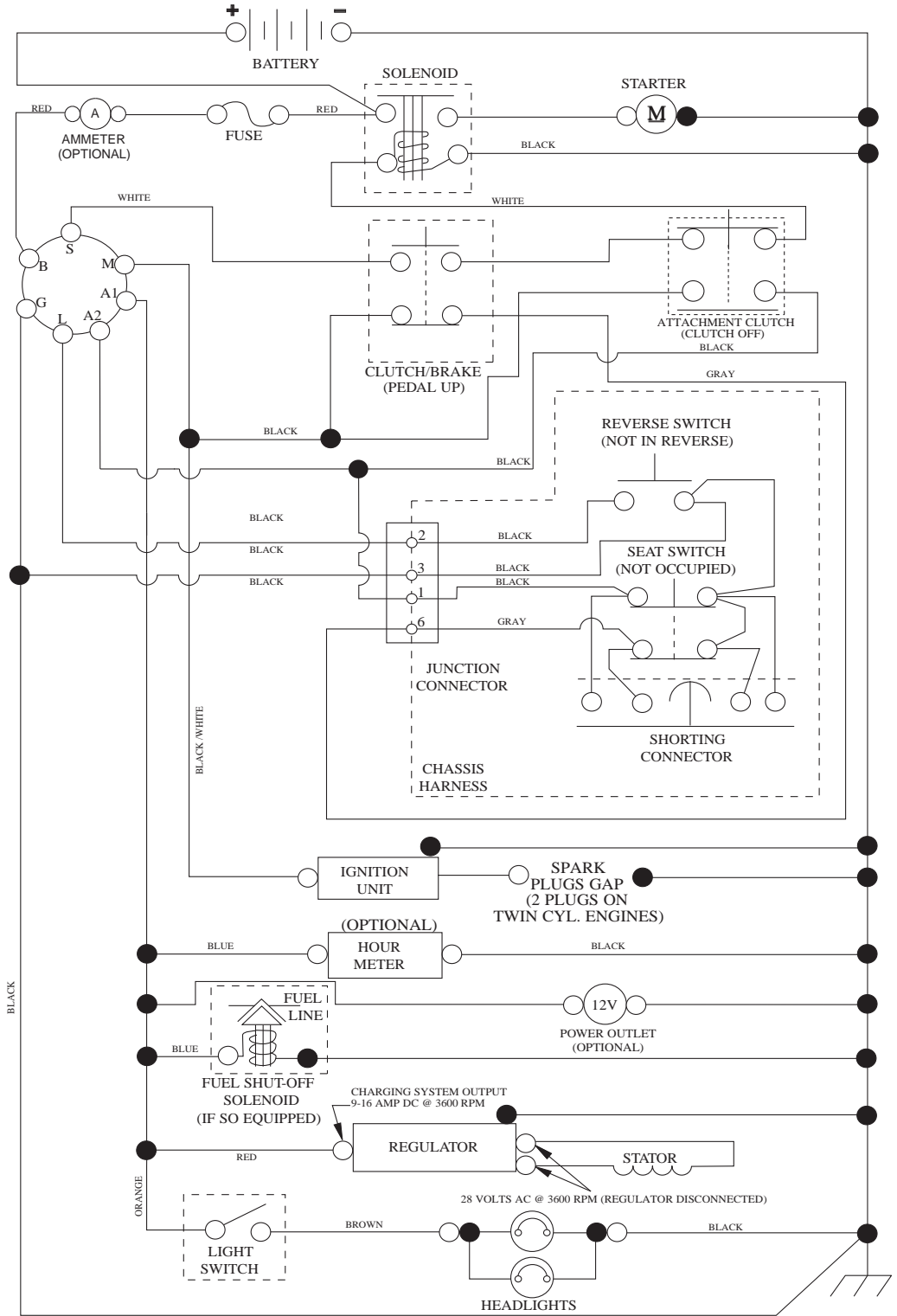


| KEY NO. | PART NO.     | DESCRIPTION                       |
|---------|--------------|-----------------------------------|
| 1       | 532 05 91-92 | Cap Valve Tire                    |
| 2       | 532 06 51-39 | Stem Valve                        |
| 3       | 532 13 83-36 | Rim Asm 6" Front                  |
| 4       | 532 05 99-04 | Tube Front                        |
| 5       | 532 10 62-22 | Tire F T 15 x 6 0 - 6             |
| 6       | 532 12 49-57 | Fitting Grease (Front Wheel Only) |
| 7       | 532 12 49-59 | Bearing Flange (Front Wheel Only) |
| 8       | 532 17 50-39 | Cap Axle Blk 1 50 x 1 00          |
| 9       | 532 42 05-31 | Tire R 18 x 9.5-8 Turf Saver LT   |
| 10      | 532 12 49-26 | Tube Rear                         |
| 11      | 532 13 83-37 | Rim Asm 8" Rear                   |
| --      | 532 14 43-34 | Sealant, Tire (10 oz. Tube)       |

**NOTE:** All component dimensions given in U.S. inches  
1 inch = 25.4 mm

# TRACTOR - - MODEL NO. LT1597 (96041005008), PRODUCT NO. 960 41 00-50 SCHEMATIC 38

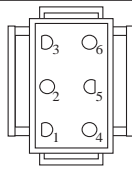
SCH10



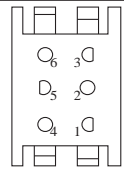
IGNITION SWITCH

| POSITION     | CIRCUIT    | "MAKE" |
|--------------|------------|--------|
| OFF          | M+G+A1     |        |
| RUN/OVERRIDE | B+A1       |        |
| RUN          | B+A1       | L+A2   |
| START        | B + S + A1 |        |

03107



CHASSIS HARNESS CONNECTOR (MATING SIDE)



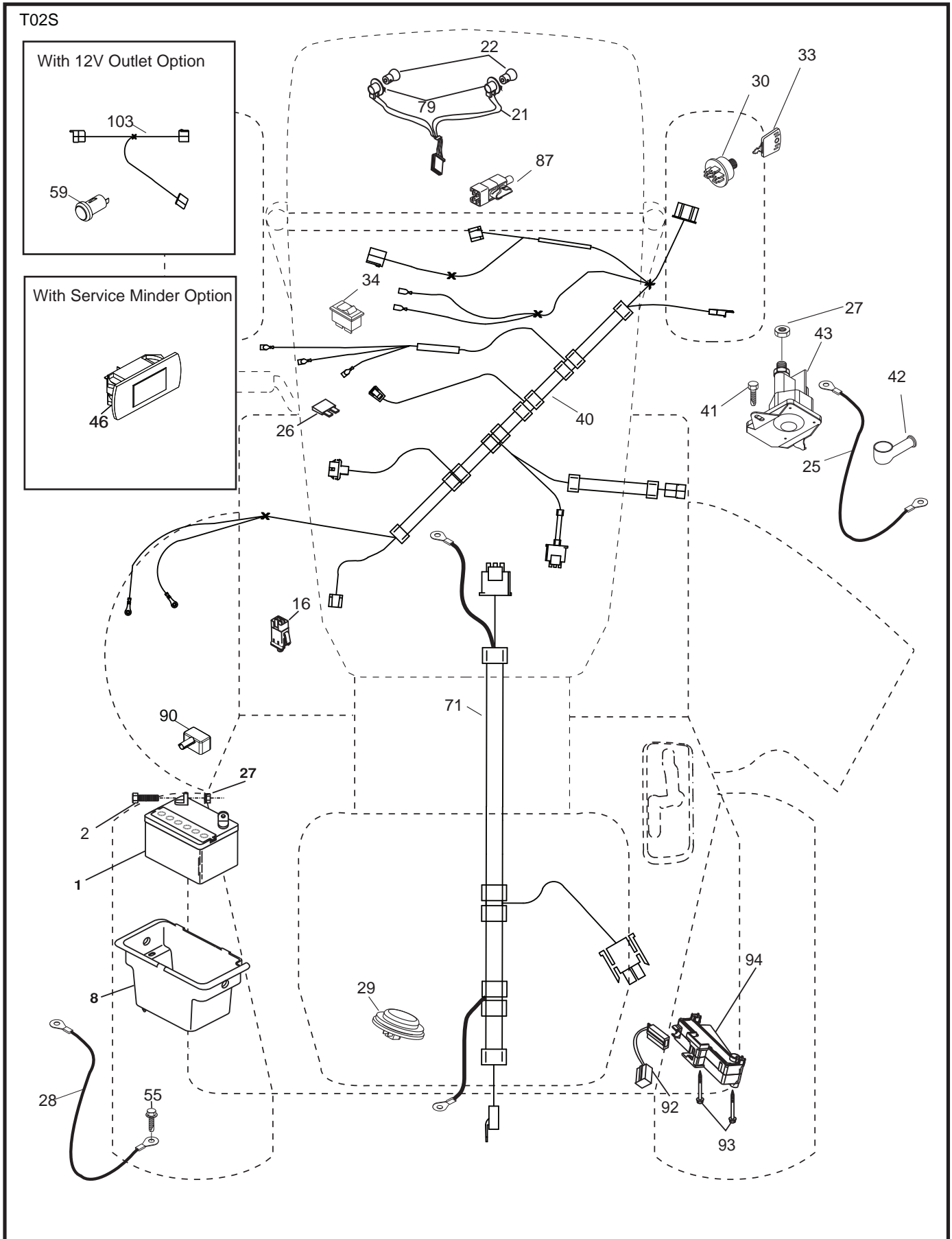
DASH HARNESS CONNECTOR (MATING SIDE)

WIRING INSULATED CLIPS  
NOTE: IF WIRING INSULATED CLIPS WERE REMOVED FOR SERVICING OF UNIT, THEY SHOULD BE RE-INSTALLED TO PROPERLY SECURE YOUR WIRING.

●  
NON-REMOVABLE CONNECTIONS

○  
REMOVABLE CONNECTIONS

TRACTOR - - MODEL NO. LT1597 (96041005008), PRODUCT NO. 960 41 00-50  
ELECTRICAL **32**

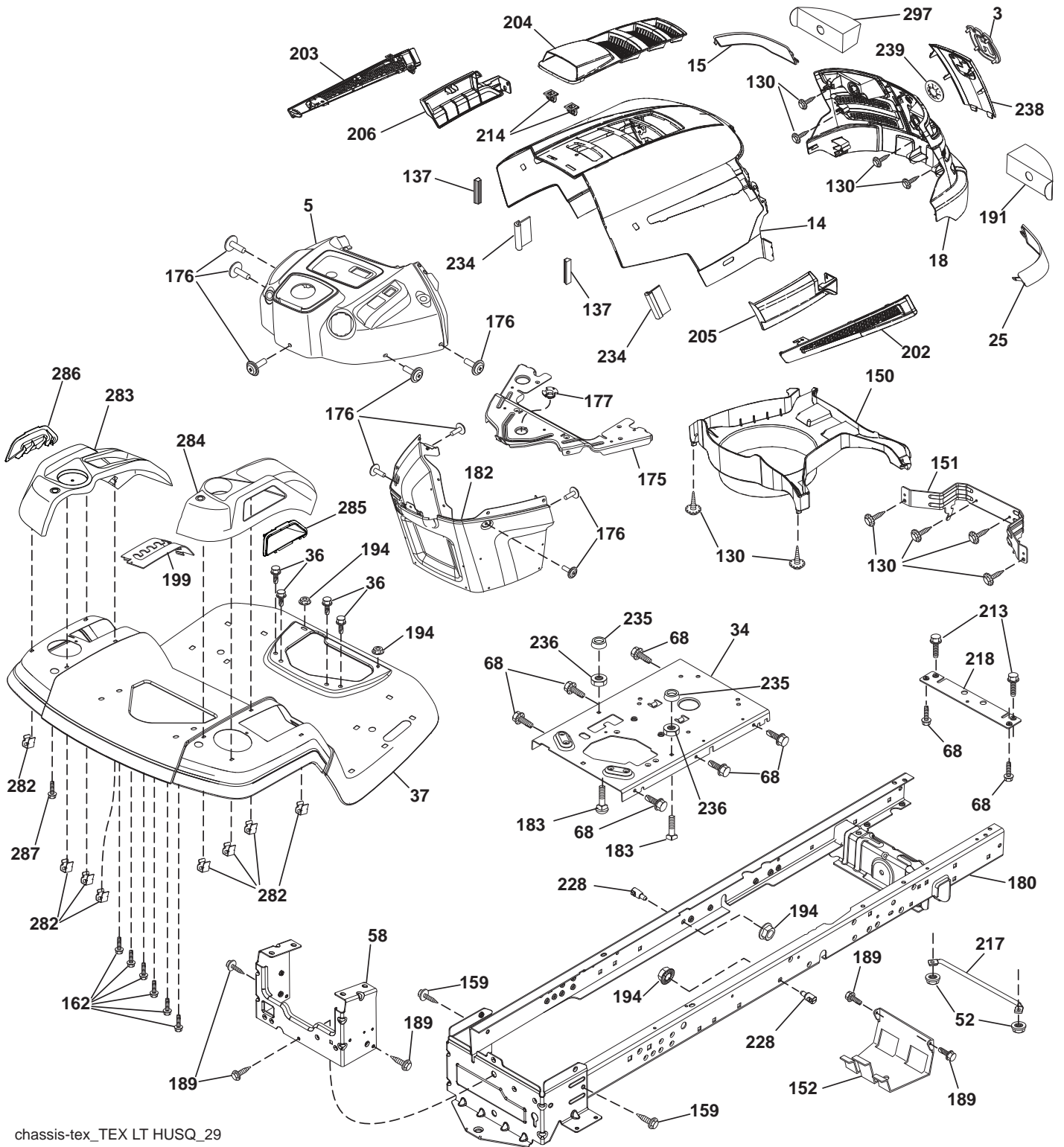


**TRACTOR - - MODEL NO. LT1597 (96041005008), PRODUCT NO. 960 41 00-50  
ELECTRICAL 32**

| <b>KEY NO.</b> | <b>PART NO.</b> | <b>DESCRIPTION</b>              |
|----------------|-----------------|---------------------------------|
| 1              | 532 16 34-65    | Battery                         |
| 2              | 874 76 04-12    | Bolt Hex Head 1/4-20 x 3/4      |
| 8              | 532 19 32-28    | Box Battery                     |
| 16             | 532 17 61-38    | Switch Interlock Push-In        |
| 21             | 532 40 02-52    | Harness Socket Light w/4152J    |
| 22             | 532 00 41-52    | Bulb Light                      |
| 25             | 532 41 28-94    | Cable Starter                   |
| 26             | 532 17 51-58    | Fuse                            |
| 27             | 873 51 04-00    | Nut Keps Hex 1/4-20 unc         |
| 28             | 532 19 88-85    | Cable,Ground                    |
| 29             | 532 40 15-45    | Switch, Seat                    |
| 30             | 532 19 33-50    | Switch, Ign                     |
| 33             | 532 41 19-33    | Key, Ignition                   |
| 34             | 532 11 07-12    | Switch Light/Reset              |
| 40             | 532 40 10-98    | Harness Ign. Dash               |
| 41             | 817 72 04-08    | Screw Thd Cut 1/4-20 x 1/2      |
| 42             | 532 13 15-63    | Cover, Terminal                 |
| 43             | 532 19 25-07    | Solenoid                        |
| 46             | 532 40 17-63    | Gauge Hourmeter                 |
| 55             | 817 06 05-12    | Screw Thdrol 5/16-18 x 3/4 TYTT |
| 71             | 532 40 04-49    | Harness Chassis                 |
| 79             | 532 17 52-42    | Socket Asm                      |
| 87             | 532 19 78-02    | Switch Interlock Clutch Cable   |
| 90             | 532 40 07-25    | Cover Terminal                  |
| 92             | 532 19 66-15    | Harness Pigtail Reverse Switch  |
| 93             | 532 19 25-40    | Screw Plastite 10-14 x 2.0      |
| 94             | 532 19 18-34    | Module Reverse ROS              |

**NOTE:** All component dimensions given in U.S. inches  
1 inch = 25.4 mm

TRACTOR - - MODEL NO. LT1597 (96041005008), PRODUCT NO. 960 41 00-50  
CHASSIS AND ENCLOSURES **39**



chassis-tex\_TEX LT HUSQ\_29

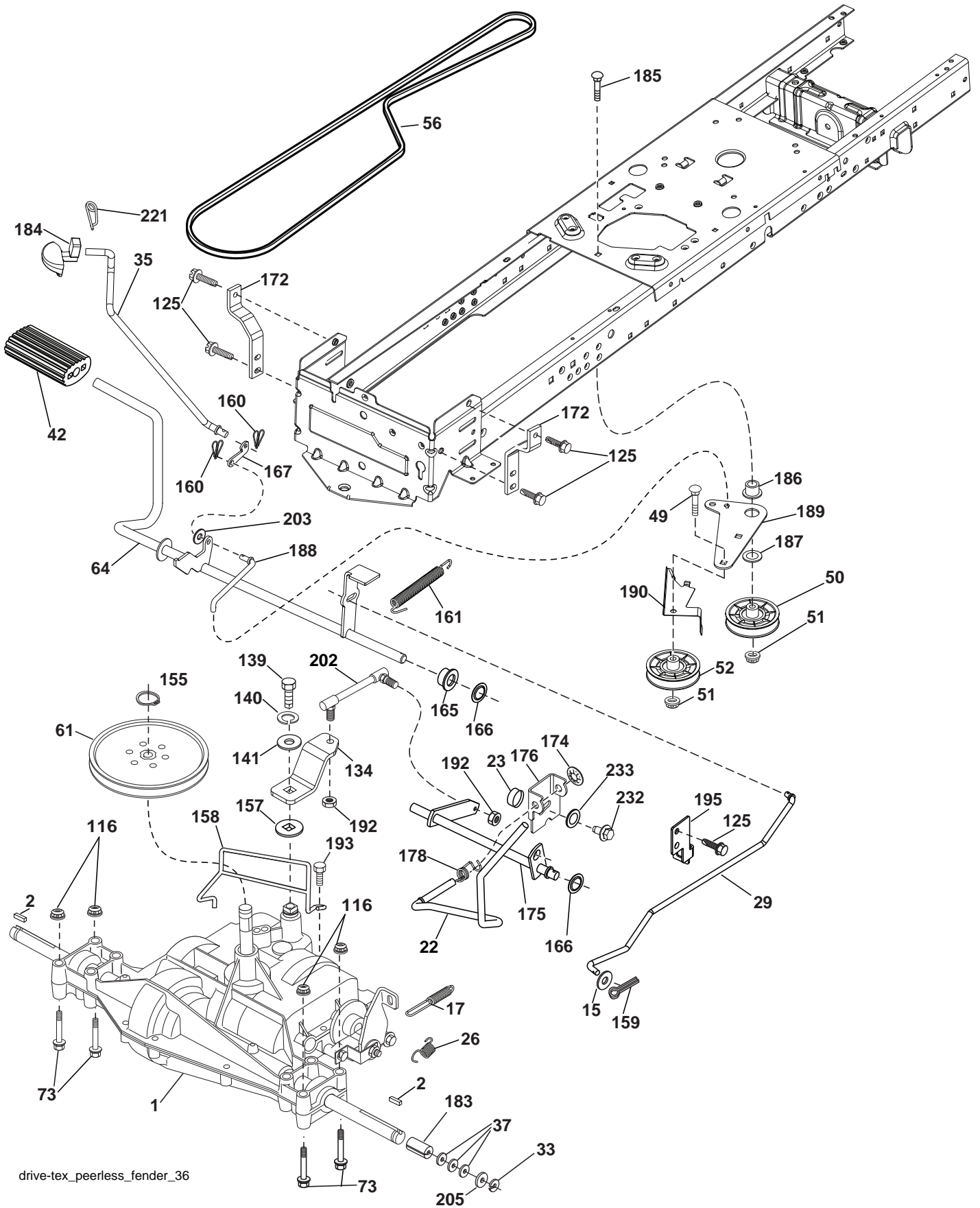
**TRACTOR - - MODEL NO. LT1597 (96041005008), PRODUCT NO. 960 41 00-50  
CHASSIS AND ENCLOSURES 39**

| KEY<br>NO. | PART<br>NO.  | DESCRIPTION                       | KEY<br>NO. | PART<br>NO.  | DESCRIPTION                      |
|------------|--------------|-----------------------------------|------------|--------------|----------------------------------|
| 3          | 532 40 50-12 | Logo                              | 199        | 532 41 34-85 | Plate Deck Lift                  |
| 5          | 532 40 75-92 | Dash                              | 202        | 532 41 10-75 | Vent Side Hood RH                |
| 14         | 532 44 12-67 | Hood                              | 203        | 532 41 10-74 | Vent Side Hood LH                |
| 15         | 532 41 10-79 | Lens LH                           | 204        | 532 41 11-16 | Vent Top Hood                    |
| 18         | 532 42 69-63 | Grille                            | 205        | 532 41 10-76 | Skirt Side RH                    |
| 25         | 532 41 10-78 | Lens RH                           | 206        | 532 41 10-77 | Skirt Side LH                    |
| 34         | 532 19 61-25 | Plate Engine                      | 213        | 874 76 05-12 | Bolt Hex HD 5/16-18 x 3/4        |
| 36         | 817 06 05-12 | Screw 5/16-18 x 3/4               | 214        | 532 19 91-45 | Clip Retainer                    |
| 37         | 532 44 12-66 | Fender                            | 217        | 532 40 91-67 | Rod Pivot Hood                   |
| 52         | 873 68 05-00 | Nut Crown Lock 5/16-18            | 218        | 532 19 63-95 | X-Piece Hood Stop                |
| 58         | 532 41 22-80 | Drawbar Upper                     | 228        | 532 19 51-61 | Stud Fastener                    |
| 68         | 817 49 05-08 | Screw Thdrol. 5/16-18 x 1/2       | 234        | 532 40 47-42 | Bumper Hood                      |
| 130        | 532 41 63-58 | Screw #10 x 0.75                  | 235        | 532 40 61-29 | Spacer Fender                    |
| 137        | 532 40 75-90 | Bumper Dash                       | 236        | 873 93 05 00 | Nut Center Lock 5/16-18 unc      |
| 150        | 532 40 75-37 | Air Duct                          | 238        | 532 41 11-19 | Trim                             |
| 151        | 532 40 78-07 | Bracket Pivot                     | 239        | 532 40 48-83 | CLIP TINNERMAN                   |
| 152        | 532 19 95-35 | Shield Browning                   | 282        | 532 41 41-10 | Clip retainer Console            |
| 159        | 817 00 06-12 | Screw 3/8-16 x 3/4                | 283        | 532 41 63-16 | Console. Deck Lift Husq N/FR. GR |
| 162        | 532 14 24-32 | Screw Hex Wsh Hi-Lo 1/4 x 1/2 unc | 284        | 532 41 63-14 | Console. SHFT HYD HUSQ LT        |
| 175        | 532 19 94-72 | Crossmember                       | 285        | 532 41 63-15 | Console INSRT RH HUSQ            |
| 176        | 532 40 07-76 | Screw 10-24 x 5/8                 | 286        | 532 41 63-17 | Console INSRT LH HUSQ            |
| 177        | 532 19 52-28 | Bushing Steering                  | 287        | 817 60 04-06 | Screw Hex Washhead. 1/4-20 x 3/8 |
| 180        | 532 41 50-63 | Chassis                           | 297        | 532 41 65-00 | Insert Reflective RH             |
| 182        | 532 40 71-76 | Dash Lower                        | --         | 532 43 18-83 | Kit Bumper                       |
| 183        | 874 52 05-20 | Bolt 5/16-18 x 1-1/4              |            |              |                                  |
| 189        | 817 00 05-12 | Screw 5/16-18 x 3/4               |            |              |                                  |
| 191        | 532 40 66-65 | Insert Reflective LH              |            |              |                                  |
| 194        | 873 90 05-00 | Nut Lock Hex Flange 5/16-18       |            |              |                                  |

**NOTE:** All component dimensions given in U.S. inches  
1 inch = 25.4 mm



TRACTOR - - MODEL NO. LT1597 (96041005008), PRODUCT NO. 960 41 00-50  
DRIVE **40**

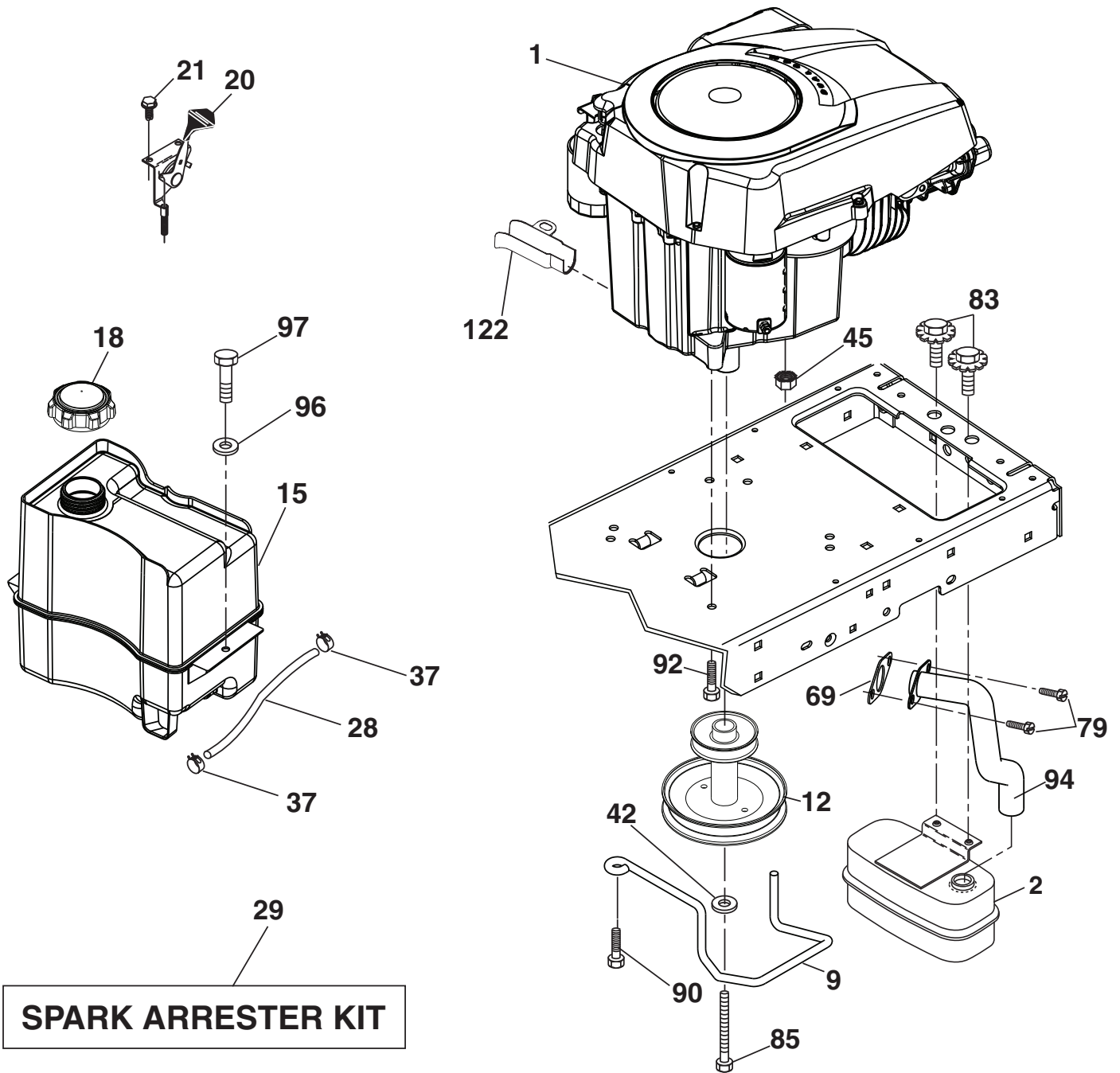


drive-tex\_peerless\_fender\_36

**TRACTOR - - MODEL NO. LT1597 (96041005008), PRODUCT NO. 960 41 00-50  
DRIVE **40****

| <b>KEY NO.</b> | <b>PART NO.</b> | <b>DESCRIPTION</b>             | <b>KEY NO.</b> | <b>PART NO.</b> | <b>DESCRIPTION</b>               |
|----------------|-----------------|--------------------------------|----------------|-----------------|----------------------------------|
| 1              | -----           | Transaxle, Peerless 206-565    | 165            | 532 19 62-12    | Bushing Shaft Brake Hand Control |
| 2              | 532 12 35-83    | Key Square                     | 166            | 532 42 91-64    | Nut Push .625                    |
| 15             | 819 13 13-16    | Washer 13/32 x 13/16 x 16 Ga.  | 167            | 532 40 52-57    | Latch Brake Parking              |
| 17             | 532 19 72-97    | Spring, Brake                  | 172            | 532 19 76-57    | Strap Torque LH                  |
| 22             | 532 19 76-60    | Rod Shift                      | 174            | 532 19 72-89    | Nut Push                         |
| 23             | 532 12 12-74    | Knob Duckhead 1/2-13           | 175            | 532 19 78-58    | Shaft Asm. Shift                 |
| 26             | 532 19 74-55    | Spring Brake Return            | 176            | 532 19 62-14    | Arm Clevis Rod Shift             |
| 29             | 532 19 72-67    | Rod, Brake                     | 178            | 532 19 74-56    | Spring Shift                     |
| 33             | 812 00 00-01    | Ring E                         | 183            | 532 13 70-57    | Spacer Axle                      |
| 35             | 532 40 10-31    | Rod, Brake, Park               | 184            | 532 40 97-47    | Knob                             |
| 37             | 532 12 17-49    | Washer 25/32 x 1-1/4 x 16 Ga.  | 185            | 872 11 06-22    | Bolt                             |
| 42             | 532 12 48-72    | Cover, Foot Pedal              | 186            | 532 19 43-21    | Spacer Retainer                  |
| 49             | 872 11 06-14    | Bolt                           | 187            | 819 13 32-10    | Washer                           |
| 50             | 532 19 43-27    | Pulley Idler Flat              | 188            | 532 19 43-23    | Link Clutch Ground Drive         |
| 51             | 873 90 06-00    | Lock Nut 3/8-16                | 189            | 532 19 43-17    | Bellcrank Ground Drive           |
| 52             | 532 19 43-26    | Idler V-Groove                 | 190            | 532 19 43-18    | Keeper Bellcrank Ground Drive    |
| 56             | 532 19 43-46    | V-Belt, Drive                  | 192            | 532 15 03-60    | Nut Lock Center 1/4-28 Fnthd     |
| 61             | 532 12 36-66    | Pulley transaxle               | 193            | 817 06 05-12    | Screw 5/16-18 x 3/4              |
| 64             | 532 19 62-00    | Shaft Asm. Pedal Brake Control | 195            | 532 19 73-32    | Bracket Brake Rod                |
| 73             | 874 49 05-44    | Belt 5/16-18 Gr. 5             | 202            | 532 19 78-59    | Link Transaxle                   |
| 116            | 873 90 05-00    | Nut Lock Hex Flange 5/16-18    | 203            | 819 11 11-16    | Washer 11/32 x 11/16 x 16 Ga.    |
| 125            | 817 00 05-12    | Screw 5/16-18 x 3/4            | 205            | 532 12 17-48    | Washer 25/32 x 1-5/8 16 Ga.      |
| 134            | 532 19 78-57    | Asm Shift                      | 221            | 532 40 31-87    | Retainer Spring Clip Handle      |
| 139            | 874 55 04-12    | Bolt 1/4-28 unf Gr. 8 w/Patch  | 232            | 874 78 07-16    | Bolt Fin Hex 7/16-14 x 1 Gr 5    |
| 140            | 810 04 04-00    | Washer Lock Hvy Helical 1/4    | 233            | 532 40 52-96    | Washer Serrated                  |
| 141            | 819 09 12-10    | Washer 9/32 x 3/4 x 10 Ga.     |                |                 |                                  |
| 155            | 812 00 00-28    | Ring Retainer                  |                |                 |                                  |
| 157            | 532 10 57-01    | Washer Plate Shift             |                |                 |                                  |
| 158            | 532 19 43-52    | Belt Keeper                    |                |                 |                                  |
| 159            | 876 02 04-12    | Pin Cotter 1/8 x 3/4           |                |                 |                                  |
| 160            | 532 16 94-84    | Retainer Clip                  |                |                 |                                  |
| 161            | 532 10 57-09    | Spring, Return, Clutch         |                |                 |                                  |

**NOTE:** All component dimensions given in U.S. inches  
1 inch = 25.4 mm



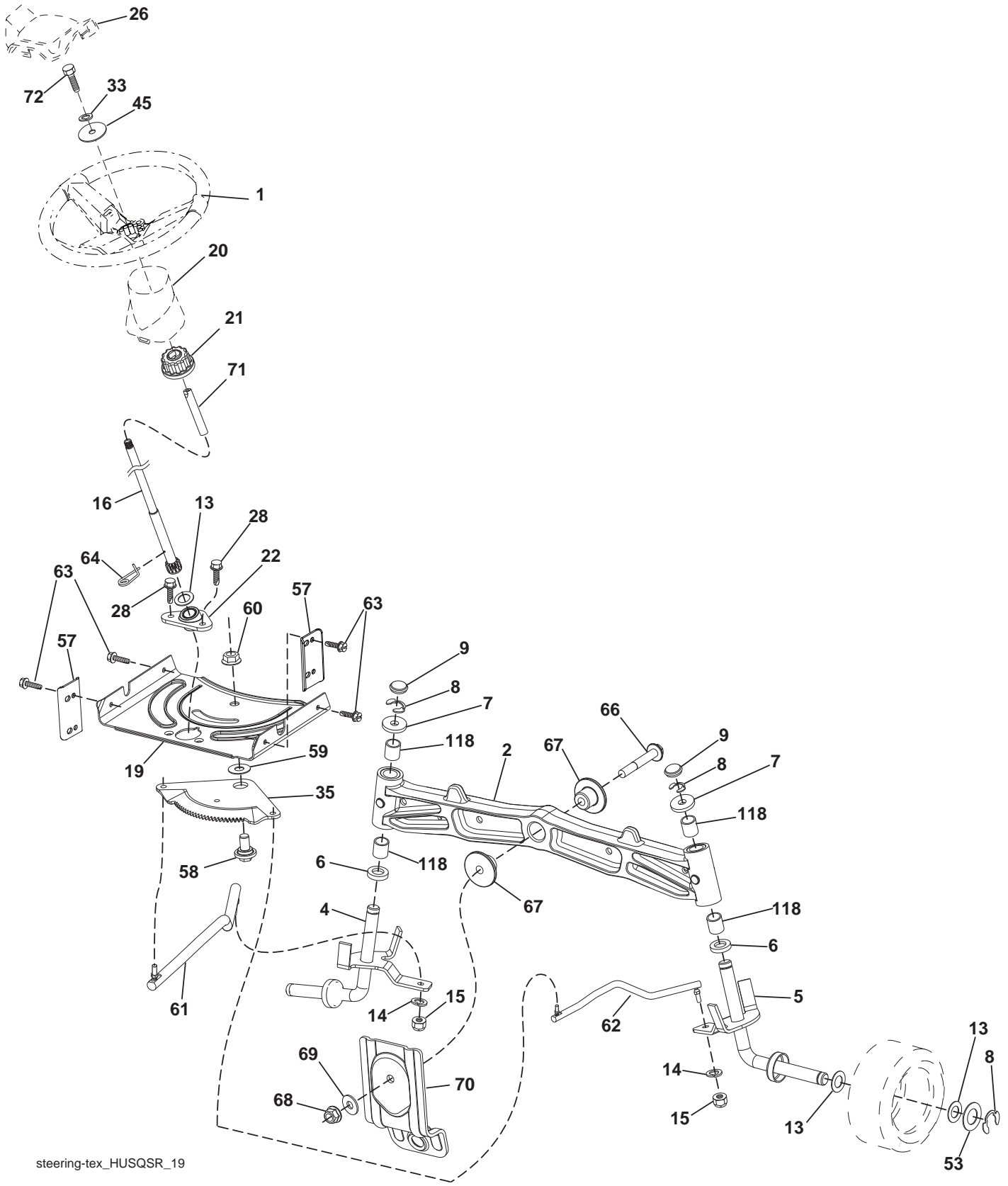
engine-tex\_kohl\_23\_r1

**TRACTOR - - MODEL NO. LT1597 (96041005008), PRODUCT NO. 960 41 00-50  
ENGINE 24**

| <b>KEY NO.</b> | <b>PART NO.</b> | <b>DESCRIPTION</b>                 |
|----------------|-----------------|------------------------------------|
| 1              | -----           | Engine Kohler Model No. SV470-0123 |
| 2              | 532 18 86-55    | Muffler                            |
| 9              | 532 19 43-19    | Keeper Belt Engine                 |
| 12             | 532 40 19-85    | Pulley Engine                      |
| 15             | 532 40 75-45    | Tank Fuel 1.5                      |
| 18             | 532 43 02-20    | Cap Fuel                           |
| 20             | 532 18 38-97    | Control Throttle                   |
| 21             | 532 41 63-58    | Screw #10 x 0.075                  |
| 28             | 532 13 70-40    | Fuel Line                          |
| 29             | 532 13 71-80    | Spark Arrester Kit                 |
| 37             | 532 12 34-87    | Clamp Hose                         |
| 42             | 810 04 07-00    | Washer Split                       |
| 45             | 873 51 04-00    | Nut Keps Hex 1/4-20 unc            |
| 69             | 532 18 59-09    | Gasket                             |
| 79             | 532 19 23-34    | Screw 5/16-18 x .75                |
| 83             | 532 17 18-77    | Bolt 5/16-18 unc x 3/4 w/Sems      |
| 85             | 532 17 39-37    | Bolt Hex 7/16-20 x 4 Gr. 5         |
| 90             | 817 00 06-16    | Screw 3/8-16 x 1                   |
| 92             | 817 12 06-16    | Screw 3/8-16 x 1                   |
| 94             | 532 18 86-54    | Tube Exhaust                       |
| 96             | 819 09 14-16    | Washer 9/32 x 7/8 x 16 Ga.         |
| 97             | 817 67 04-12    | Screw 1/4-20 x 3/4                 |
| 122            | 532 42 19-22    | Extension Drain Oil                |

**NOTE:** All component dimensions given in U.S. inches  
1 inch = 25.4 mm

TRACTOR - - MODEL NO. LT1597 (96041005008), PRODUCT NO. 960 41 00-50  
STEERING ASSEMBLY **41**



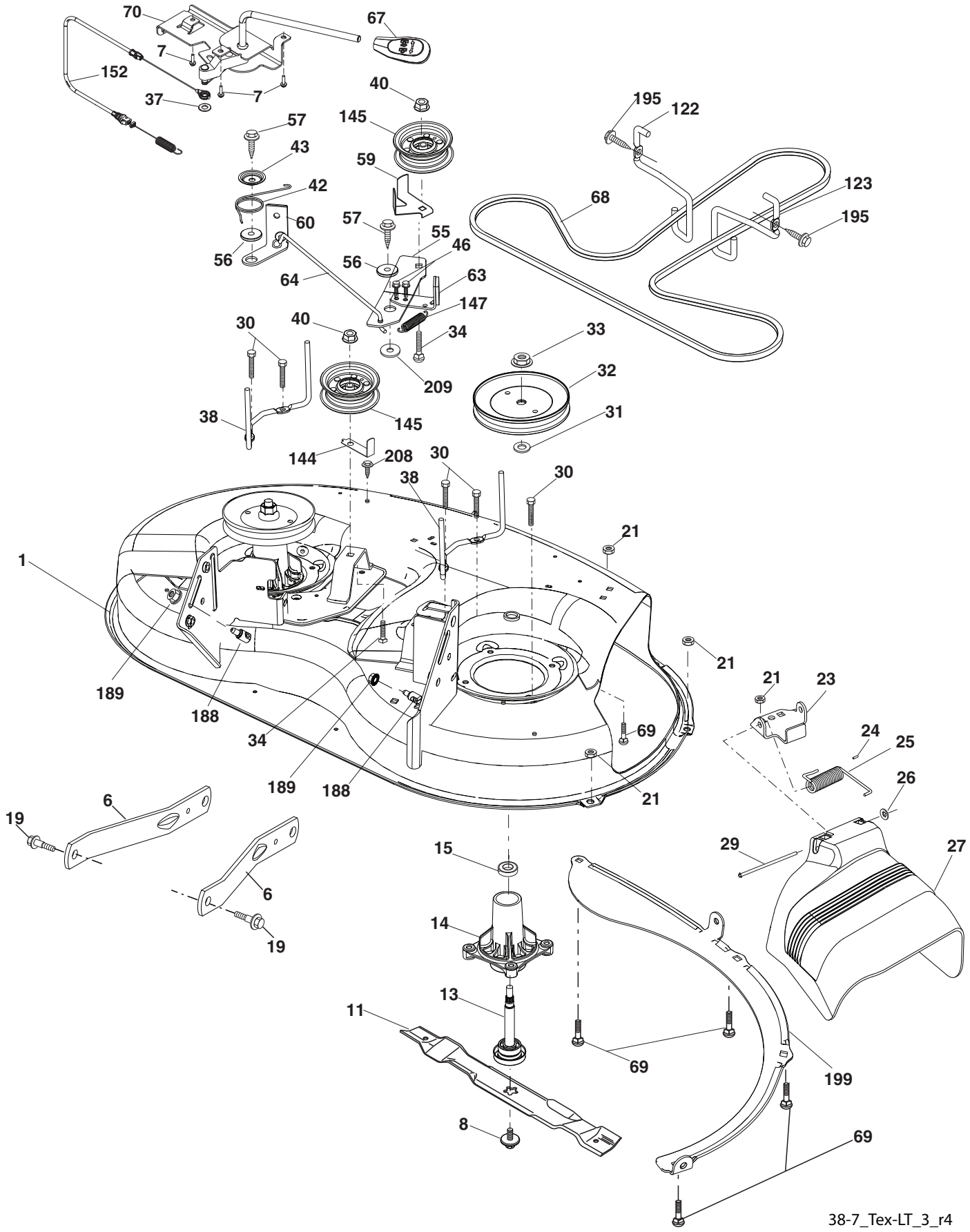
steering-tex\_HUSQSR\_19

**TRACTOR - - MODEL NO. LT1597 (96041005008), PRODUCT NO. 960 41 00-50  
STEERING ASSEMBLY 41**

| <b>KEY NO.</b> | <b>PART NO.</b> | <b>DESCRIPTION</b>                  |
|----------------|-----------------|-------------------------------------|
| 1              | 532 41 64-80    | Wheel, Steering                     |
| 2              | 532 41 35-91    | Axle Asm., Front                    |
| 4              | 532 40 30-87    | Spindle Asm., LH                    |
| 5              | 532 40 30-88    | Spindle Asm., RH                    |
| 6              | 532 12 49-31    | Washer .75 x 1.230, Thrust          |
| 7              | 532 12 17-48    | Washer 25/32 x 1-5/8 x 16 Ga.       |
| 8              | 812 00 00-29    | Ring, clip #T5304-75                |
| 9              | 532 12 12-32    | Cap, Spindle                        |
| 13             | 532 12 17-49    | Washer 25/32 x 1-1/4 x 16 Ga.       |
| 14             | 810 04 06-00    | Washer, Lock Hvy Hlcl Spr 3/8       |
| 15             | 873 54 06-00    | Nut, Crown Lock 3/8-24 unf          |
| 16             | 532 42 93-73    | Shaft Steering                      |
| 19             | 532 19 47-29    | Plate Steering                      |
| 20             | 532 41 11-39    | Boot, Steering                      |
| 21             | 532 18 67-37    | Adapter, Wheel Steering             |
| 22             | 532 42 05-37    | Supt., Strg. Lower                  |
| 26             | 532 41 59-87    | Insert, Wheel Steering              |
| 28             | 817 00 06-12    | Screw 3/8-16 x 3/4                  |
| 33             | 810 04 05-00    | Washer Lock 5/16                    |
| 35             | 532 19 47-32    | Gear, Sector Plate                  |
| 45             | 819 11 38-12    | Washer 11/32 x 3/8 x 12 Ga.         |
| 53             | 532 18 89-67    | Washer Hardened .793 x 1.637 x .060 |
| 57             | 532 40 74-65    | Bracket Upstop                      |
| 58             | 532 19 47-47    | Bolt Shoulder Sector Pivot CFM      |
| 59             | 532 19 47-48    | Washer Thrust Sector Steering       |
| 60             | 873 97 10-00    | Nut Flange Lock 5/8-11              |
| 61             | 532 19 47-40    | Draglink, LH                        |
| 62             | 532 19 47-41    | Draglink, RH                        |
| 63             | 817 00 05-12    | Screw 5/16-18 x 3/4                 |
| 64             | 532 19 98-49    | Retainer Clip Spring Steering       |
| 66             | 871 02 07-48    | Bolt Hex Fghd 7/16-14 x 3 Serr      |
| 67             | 532 19 47-37    | Bushing PM Front Axle               |
| 68             | 873 90 07-00    | Nut Lock Flange 7/16-14 Gr. 5       |
| 69             | 532 19 91-62    | Washer 1.5 x .505 x .118            |
| 70             | 532 19 61-97    | Bracket Deck Susp. Front            |
| 71             | 532 19 07-52    | Shaft Extension Steering            |
| 72             | 532 42 89-82    | Bolt Fin Hx 5/16-18 x 4             |
| 118            | 532 40 60-13    | Bushing                             |

**NOTE:** All component dimensions given in U.S. inches  
1 inch = 25.4 mm

TRACTOR - - MODEL NO. LT1597 (96041005008), PRODUCT NO. 960 41 00-50  
MOWER DECK 44



38-7\_Tex-LT\_3\_r4

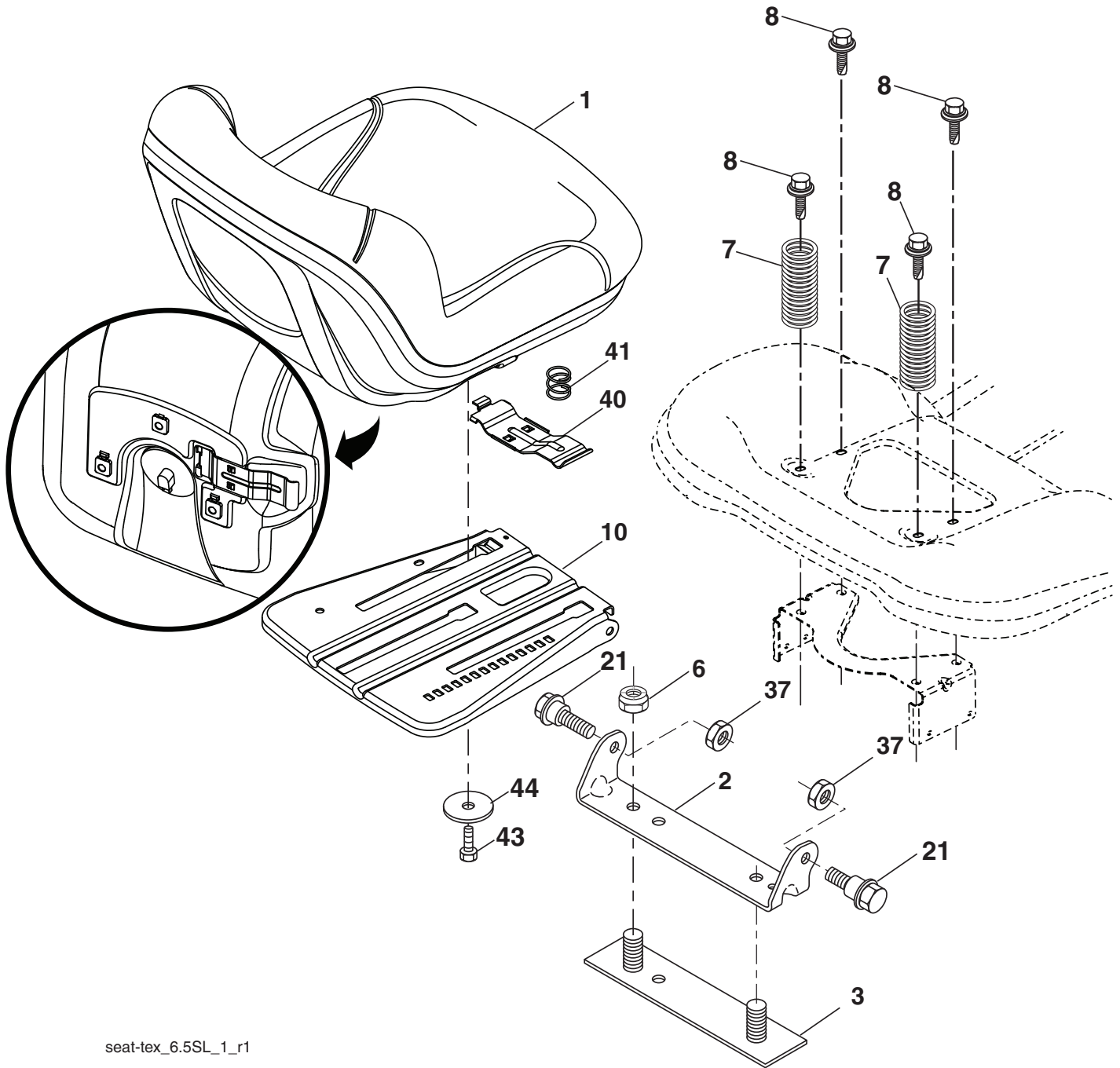
**TRACTOR - - MODEL NO. LT1597 (96041005008), PRODUCT NO. 960 41 00-50  
MOWER DECK 44**

| KEY NO. | PART NO.     | DESCRIPTION                        | KEY NO. | PART NO.     | DESCRIPTION   |
|---------|--------------|------------------------------------|---------|--------------|---|
| 1       | 532 19 42-51 | Mower Housing                      | 59      | 532 14 10-43 | Guard, Tuv Idler  |
| 6       | 532 19 51-86 | Arm Suspension                     | 60      | 532 19 94-71 | Arm Brake Mower   |
| 7       | 532 41 63-58 | Screw #10 x 0.750 BOS Thread       | 63      | 532 19 94-70 | Arm Brake Mower   |
| 8       | 532 19 30-03 | Bolt/Washer Asm 7/16-20 unf        | 64      | 532 19 97-90 | Link Brake  |
| 11      | 532 19 39-57 | Blade                              | 67      | 532 40 30-12 | Handle Clutch Cable   |
| 13      | 532 19 28-72 | Shaft Assembly Mandrel             | 68      | 532 40 83-81 | V-Belt  |
| 14      | 532 18 72-81 | Housing Mandrel                    | 69      | 872 14 05-05 | Bolt  |
| 15      | 532 11 04-85 | Bearing, Ball, Mandrel             | 70      | 532 40 12-46 | Clutch Asm Manual   |
| 19      | 532 19 65-39 | Bolt, Shoulder                     | 122     | 532 19 72-58 | Keeper Belt Engine LH   |
| 21      | 873 68 05-00 | Nut, Crownlock 5/16-18 unc         | 123     | 532 19 72-59 | Keeper Belt Engine RH   |
| 23      | 532 19 25-57 | Bracket, Deflector                 | 144     | 532 19 34-14 | Keeper Belt   |
| 24      | 532 10 53-04 | Cap, Sleeve                        | 145     | 532 19 31-97 | Pulley Idler  |
| 25      | 532 19 70-26 | Spring, Torsion, Deflector         | 147     | 532 40 18-72 | Spring Return   |
| 26      | 532 11 04-52 | Nut, Push                          | 152     | 532 43 51-11 | Manual Clutch Cable   |
| 27      | 532 40 14-72 | Shield, Deflector                  | 188     | 532 19 51-61 | Stud Fastener   |
| 29      | 532 13 14-91 | Rod, Hinge                         | 189     | 873 90 05-00 | Nut Lock Hex Flange   |
| 30      | 532 17 39-84 | Screw Thdrol Rolling Wsh Hd        | 195     | 817 00 06-12 | Screw 3/8-16 x 3/4  |
| 31      | 532 18 76-90 | Washer, Spacer                     | 199     | 532 40 00-95 | Baffle Vortex   |
| 32      | 532 19 97-89 | Pulley, Mandrel                    | 208     | 817 67 06-08 | Screw Thdrol 3/8-16 x 1/2   |
| 33      | 532 40 02-34 | Nut, Toplock, Flanged              | 209     | 819 13 32-10 | Washer 13/32 x 2 x 10   |
| 34      | 872 11 06-12 | Bolt Carr Sh. 3/8-16 x 1-1/2 Gr. 5 | --      | 532 19 28-70 | Mandrel Assembly (Includes housing, shaft assembly, and bearing only - pulley/nut/washer and blade bolt/washers not included) |
| 37      | 819 13 13-16 | Washer                             | --      | 532 40 04-22 | Replacement Mower, Complete   |
| 38      | 532 19 95-41 | Keeper Belt LH Mandrel             |         |              |   |
| 40      | 873 90 06-00 | Nut, Lock Flg. 3/8-16 unc          |         |              |   |
| 42      | 532 19 84-10 | Spring Torsion Brake               |         |              |   |
| 43      | 532 19 72-56 | Spring Torsion Retainer            |         |              |   |
| 46      | 532 13 77-29 | Screw 1/4-20 x 5/8                 |         |              |   |
| 55      | 532 19 72-49 | Arm, Idler                         |         |              |   |
| 56      | 532 19 90-92 | Spacer, Retainer                   |         |              |   |
| 57      | 817 00 06-16 | Screw 3/8-16 x 1                   |         |              |   |

**NOTE:** All component dimensions given in U.S. inches  
1 inch = 25.4 mm



TRACTOR - - MODEL NO. LT1597 (96041005008), PRODUCT NO. 960 41 00-50  
SEAT ASSEMBLY **42**



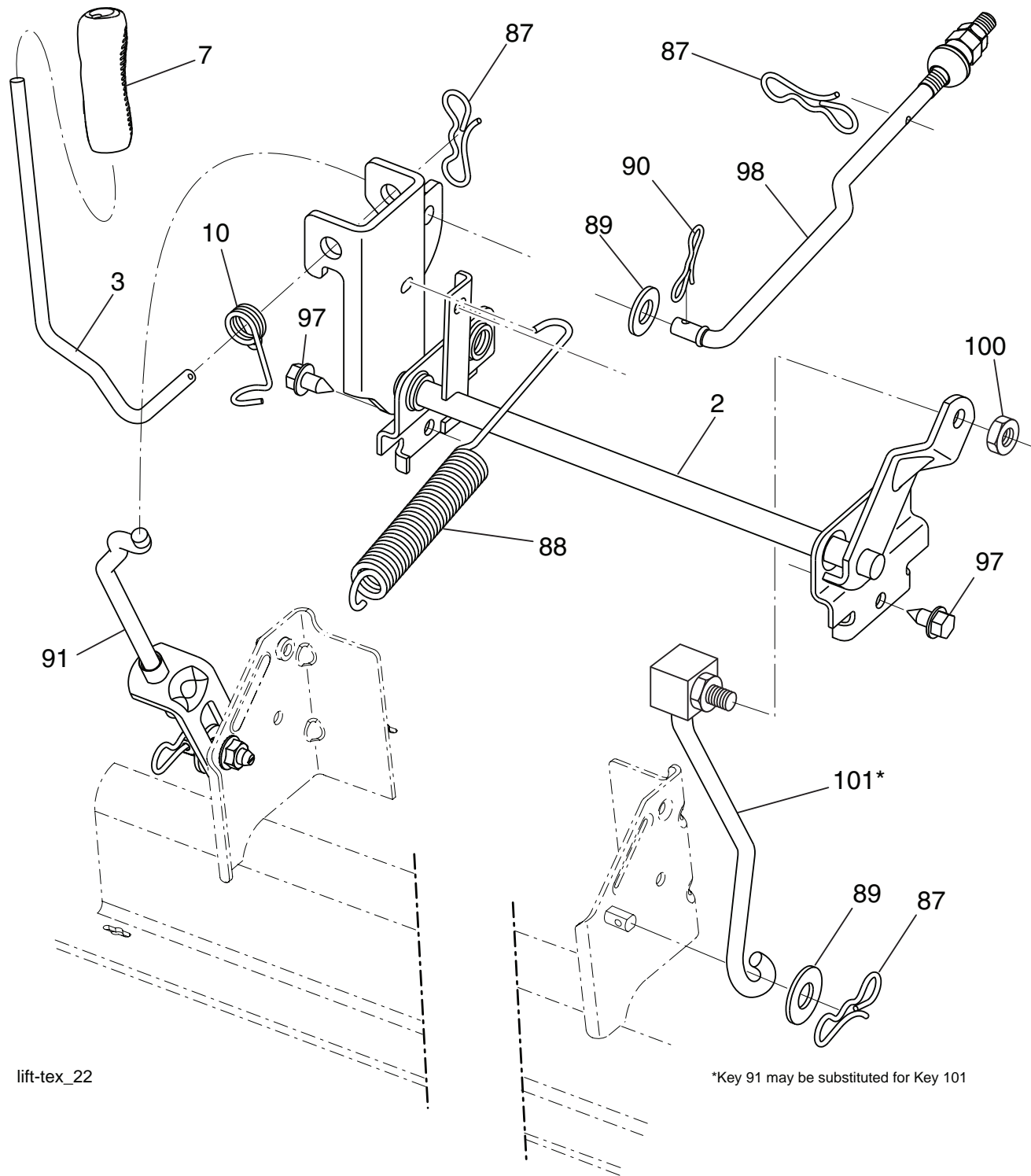
seat-tex\_6.5SL\_1\_r1

| KEY NO. | PART NO.     | DESCRIPTION                   |
|---------|--------------|-------------------------------|
| 1       | 532 42 40-67 | Seat                          |
| 2       | 532 18 01-66 | Bracket Pivot Fender          |
| 3       | 532 14 06-75 | Strap, Asm Fender             |
| 6       | 873 80 06-00 | Nut, Lock w/Ins. 3/8-16 unc   |
| 7       | 532 12 41-81 | Spring, Seat Cprsn            |
| 8       | 532 17 18-77 | Bolt 5/16-18 unc x 3/4 w/Sems |
| 10      | 532 19 69-77 | Pan, Seat                     |
| 21      | 532 17 18-52 | Bolt, Shoulder 5/16-18        |

| KEY NO. | PART NO.     | DESCRIPTION                   |
|---------|--------------|-------------------------------|
| 37      | 873 80 05-00 | Nut, Lock 5/16-18 unc         |
| 40      | 532 19 76-61 | Handle Slide                  |
| 41      | 532 19 82-00 | Spring Latch                  |
| 43      | 874 76 06-12 | Bolt 3/8-16 unc x 3/4         |
| 44      | 819 13 38-12 | Washer 13/32 x 2-3/8 x 12 Ga. |

**NOTE:** All component dimensions given in U.S. inches  
1 inch = 25.4 mm

**TRACTOR - - MODEL NO. LT1597 (96041005008), PRODUCT NO. 960 41 00-50  
MOWER LIFT 45**



lift-tex\_22

\*Key 91 may be substituted for Key 101

| KEY NO. | PART NO.     | DESCRIPTION                  |
|---------|--------------|------------------------------|
| 2       | 532 42 20-27 | Shaft Asm., Lift             |
| 3       | 532 19 52-31 | Lever Asm., Lift RH          |
| 7       | 532 41 15-55 | Grip, Lever                  |
| 10      | 532 19 63-14 | Spring Torsion               |
| 87      | 532 19 42-09 | Pin Cotter 7/16 Bow Tie Lock |
| 88      | 532 41 07-10 | Spring Lift Assist           |
| 89      | 819 19 19-12 | Washer Clear Zinc            |
| 90      | 532 19 42-08 | Pin Cotter 5/16 Bow Tie Lock |
| 91      | 532 19 51-81 | Link Lift Susp Mower Rear    |

| KEY NO. | PART NO.     | DESCRIPTION                      |
|---------|--------------|----------------------------------|
| 97      | 817 00 06-12 | Screw 3/8-16 x .75 Smgml Tap/R.Z |
| 98      | 532 19 52-70 | Link Lift Susp. Front Mower      |
| 100     | 873 93 06-00 | Nut Centerlock 3/8-16            |
| 101     | 532 40 70-03 | Link Asm. Lift                   |

**NOTE:** All component dimensions given in U.S. inches  
1 inch = 25.4 mm

