

R145 SV

Spare parts

Ersatzteile

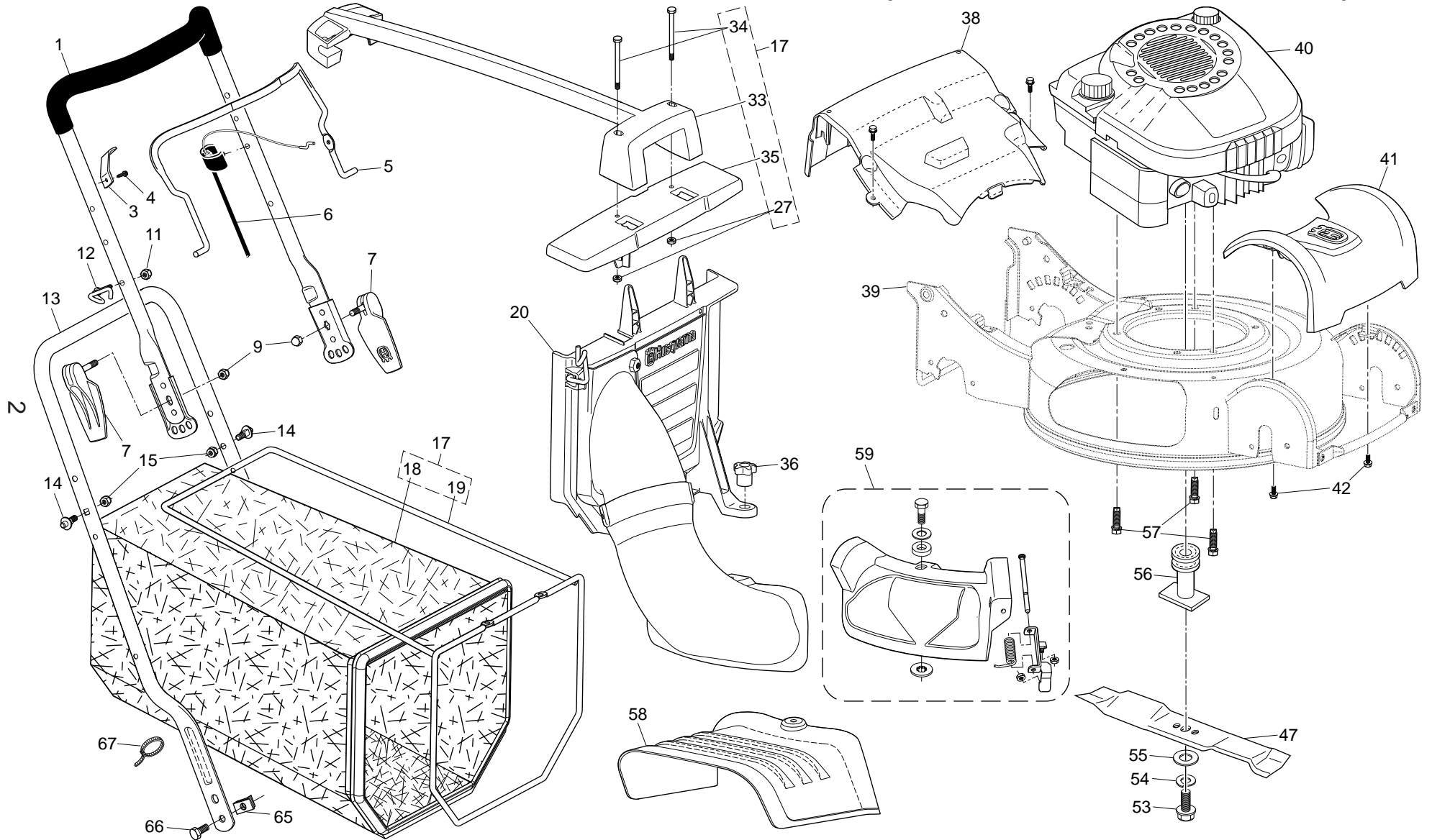
Pièces détachées

Reserve onderdelen

Repuestos

Reservdelar

ROTARY LAWN MOWER -- MODEL NUMBER R 145SV (MFG. ID. NUMBER 96141013105)



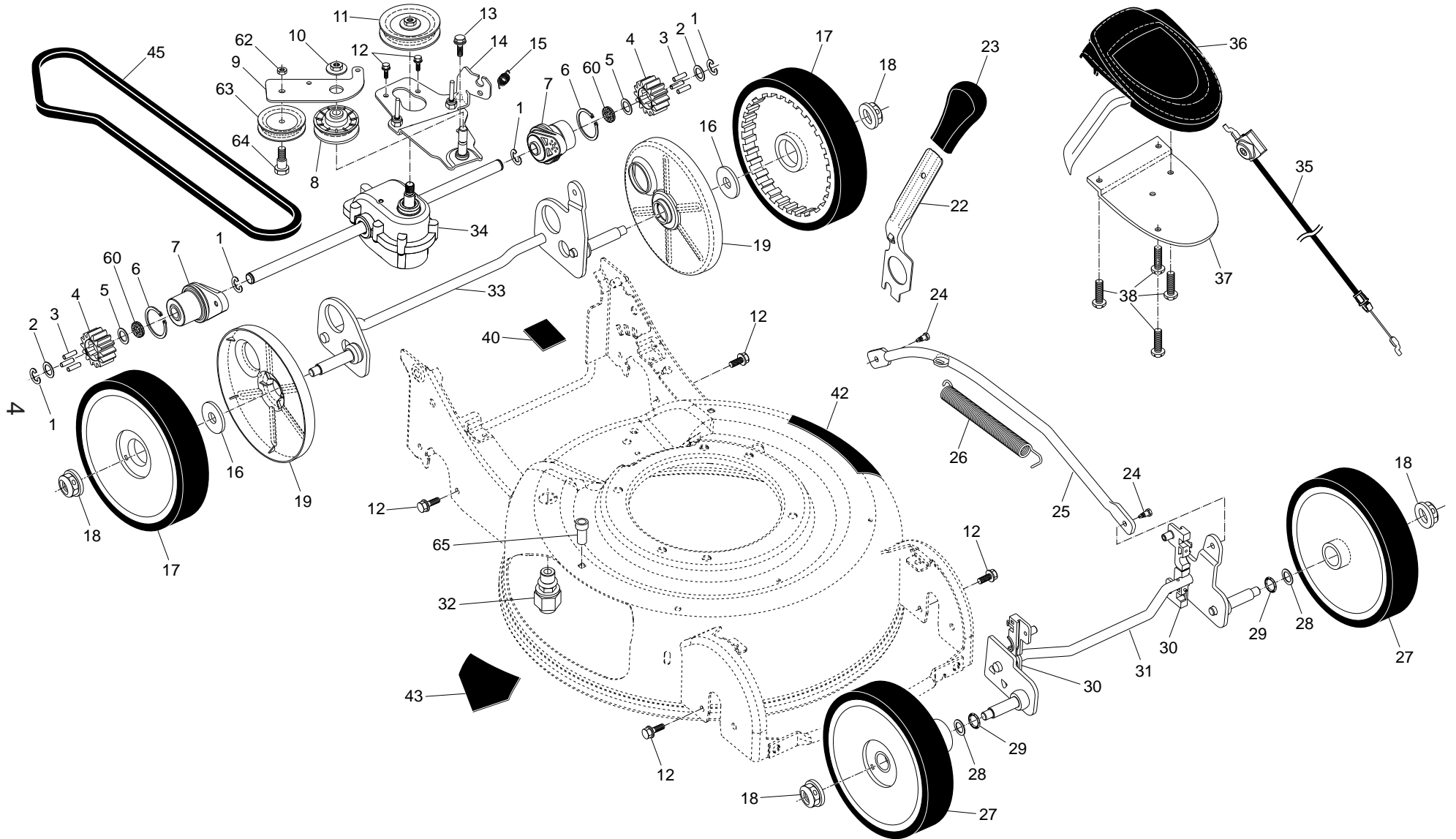
ROTARY LAWN MOWER - - MODEL NUMBER **R 145SV** (MFG. ID. NUMBER 96141013105)

KEY NO.	PART NO.	DESCRIPTION	KEY NO.	PART NO.	DESCRIPTION
1	532 19 98-87	Upper Handle Assembly (Includes Foam Grip)	39	532 43 33-94	Lawn Mower Housing
3	532 43 00-34	Upstop Bracket	40	- - -	Engine, Briggs & Stratton, Model Number 124T02-1232-B1 (Order parts from Engine manufacturer)
4	532 75 06-34	Screw, Threaded, Rolled #10-24 x 1/2			
5	532 42 68-12	Control Bar	41	532 41 35-14	Front Cover
6	532 42 59-23	Cable, Engine Zone Control	42	532 19 41-89	Screw, Hex Washer Head 1/8-16 x 5/8
7	532 43 06-79	Quick Release Assembly	43	532 40 12-16	Debris Shield Assembly
9	532 40 04-13	Nut, Acorn	44	532 08 86-52	Screw, Hinge 1/4-20 x 1/2
12	532 19 47-88	Rope Guide, Upper Handle	45	532 41 35-15	Debris Shield
13	532 41 35-35	Lower Handle	46	532 19 23-25	Screw, Hex Washer Head
14	532 19 92-55	Stud, Adjustment	47	532 19 92-43	Blade
15	532 75 11-53	Nut, Hex 5/16-18	53	532 19 17-60	Bolt, Hex Head 3/8-24 x 2-1/2
17	532 40 01-36	Grass Catcher Assembly	54	532 85 02-63	Washer, Helical
18	532 19 92-73	Grass Bag	55	532 85 10-74	Washer, Hardened
19	532 19 92-78	Frame, Grass Bag	56	532 18 67-66	Blade Adapter / Pulley
20	532 43 33-60	Chute Assembly	57	532 15 04-06	Bolt, Engine, Dogpoint 3/8-16
25	532 19 09-39	Bracket, Debris Shield	58	532 43 34-19	Discharge Guard
27	532 13 20-04	Nut, Hex, Zinc-Plated, Black 1/4-20	59	532 43 34-06	Mulcher Door Assembly
33	532 41 35-36	Handle, Grass Catcher	65	532 40 40-08	Speed Nut
34	871 09 04-48	Screw 1/4-20 x 3	66	532 85 09-99	Bolt, Hex Head 3/8-16 x 1-1/4
35	532 41 35-12	Adapter, Grass Catcher	67	532 06 64-26	Wire Tie
36	532 18 34-47	Knob	--	532 43 46-26	Manual, Operator's, European
38	532 43 26-80	Drive Cover Assembly (Includes Mounting Screws and Pushnuts)	--	532 43 46-27	Manual, Operator's, Scandinavian
			--	532 43 46-28	Manual, Operator's, East Bloc
			--	532 43 46-29	Manual, Operator's, Baltic

NOTE: All component dimensions given in U.S. inches. 1 inch = 25.4 mm.

IMPORTANT: Use only Original Equipment Manufacturer (O.E.M.) replacement parts. Failure to do so could be hazardous, damage your lawn mower and void your warranty.

ROTARY LAWN MOWER - - MODEL NUMBER R 145SV (MFG. ID. NUMBER 96141013104)



ROTARY LAWN MOWER - - MODEL NUMBER **R 145SV** (MFG. ID. NUMBER 96141013104)

KEY NO.	PART NO.	DESCRIPTION	KEY NO.	PART NO.	DESCRIPTION
1	812 00 00-58	E-Ring	24	532 40 70-59	Screw, Semi-Gimlett Point
2	532 05 70-79	Washer, Hardened	25	532 43 18-15	Rod, Height Adjustment
3	532 17 00-11	Pawl	26	532 40 96-16	Spring
4	532 16 64-50	Gear, Pinion	27	532 41 08-31	Wheel & Tire Assembly, Front
5	532 05 21-60	Washer, Flat	28	532 08 83-48	Washer, Flat
6	812 00 00-12	Ring, Retaining	29	532 19 74-80	O-Ring
7	532 40 01-34	Bearing, Drive	30	532 41 35-20	Bearing Assembly, Front Axle
8	532 19 37-91	Pulley, Idler	31	532 41 40-71	Axle Assembly, Front
9	532 42 11-01	Arm, Idler	32	532 40 00-94	Fitting, Quick Release
10	532 40 91-49	Locknut, Hex	33	532 41 40-73	Axle Assembly, Rear
11	532 19 34-43	Drive Pulley	34	532 19 92-31	Gear Case Assembly
12	532 16 34-09	Screw, Hi-Lo Thread 1/8 x 5/8	35	532 40 15-53	Cable, Drive Control
13	817 06 04-10	Screw, Hex Washer Head 1/4-20 x 1/16	36	532 42 56-63	Drive Control Assembly
14	532 40 11-13	Belt Guide Bracket Assembly	37	532 40 07-23	Plate, Rear, Drive Control
15	532 19 41-24	Spring, Return	38	532 18 16-98	Screw #8 x 1/16
16	532 06 77-25	Washer, Flat 3/8	40	532 19 97-31	Decal, Noise Level
17	532 41 10-81	Wheel & Tire Assembly, Rear, Driven	42	532 19 99-12	Decal, Warning
18	532 40 91-48	Nut, Hex	43	532 18 21-66	Decal, Danger
19	532 18 94-03	Dust Cover	45	532 19 92-25	V-Belt
22	532 41 35-19	Height Adjustment Lever	60	532 08 81-18	Washer, Felt
23	532 16 76-53	Knob, Height Adjustment Lever	62	873 93 05-00	Nut, Hex 5/16-18
			63	532 16 60-43	Pulley, Idler
			64	532 16 08-29	Bolt, Hex Head 5/16-18
			65	532 43 22-34	Bushing

NOTE: All component dimensions given in U.S. inches. 1 inch = 25.4 mm.

IMPORTANT: Use only Original Equipment Manufacturer (O.E.M.) replacement parts. Failure to do so could be hazardous, damage your lawn mower and void your warranty.