

# SC18A CE

**Spare parts**

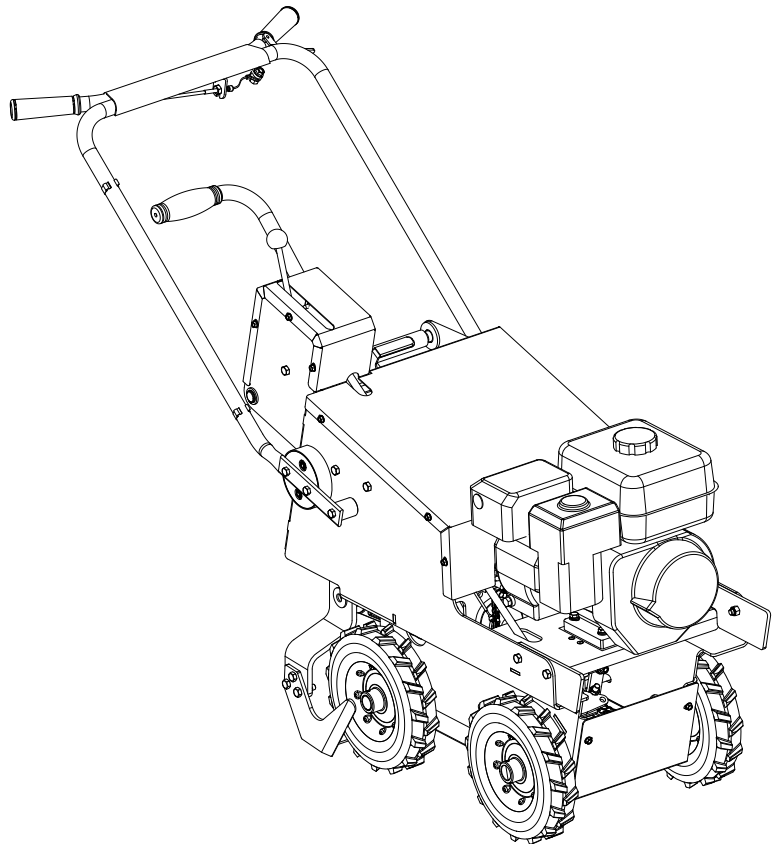
**Ersatzteile**

**Pièces détachées**

**Reserve onderdelen**

**Repuestos**

**Reservdelar**





# CONTENTS

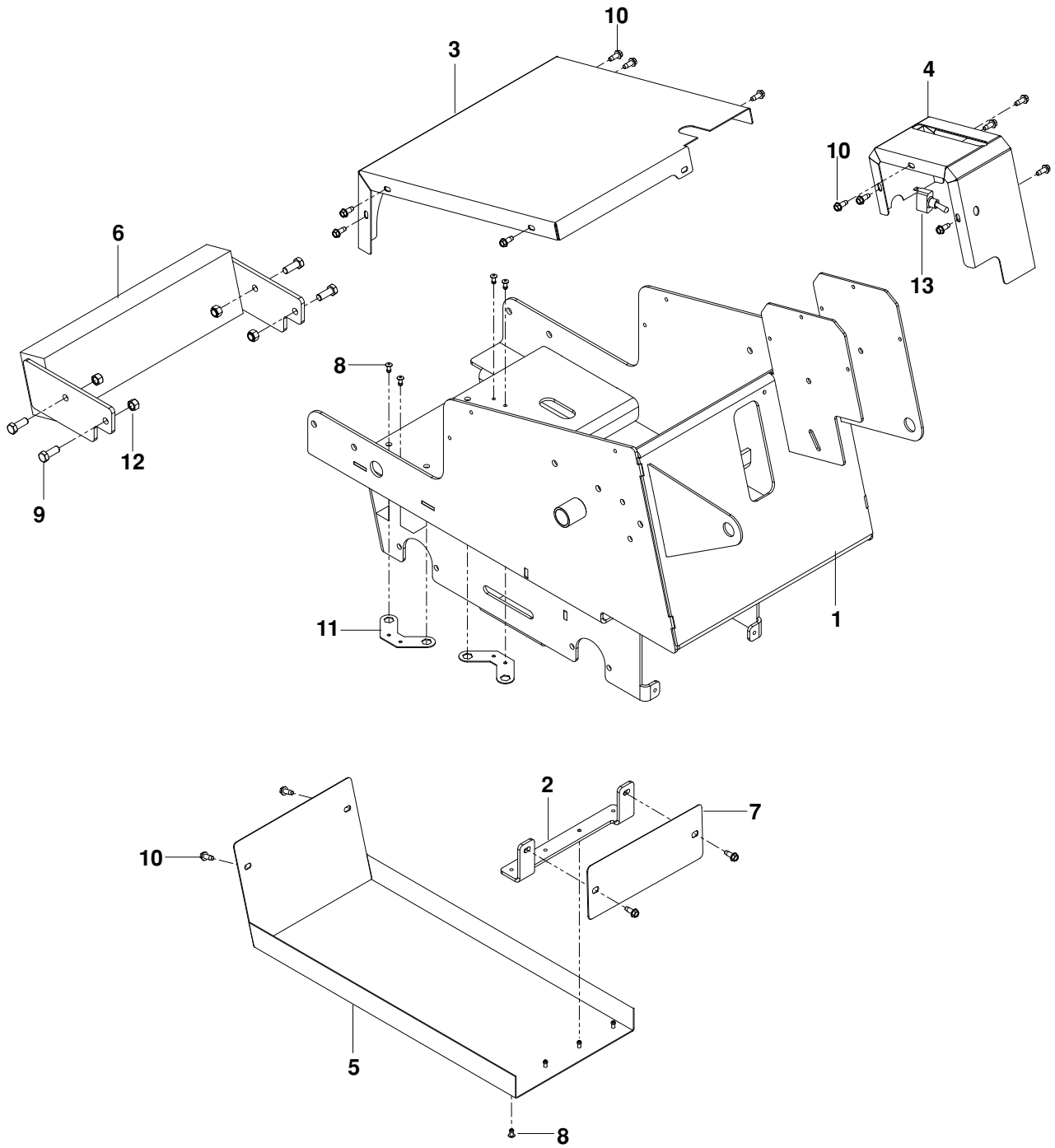
---

FRAME.....	4	GEARS.....	14
DRIVE.....	6	TRUNNION.....	16
HANDLE.....	8	AXLE.....	18
BLADE DRIVE.....	10	DECALS.....	20
DEPTH CONTROL.....	12		

NOTE: ALL FASTENERS ARE GRADE 5 UNLESS OTHERWISE SPECIFIED.

# FRAME

---

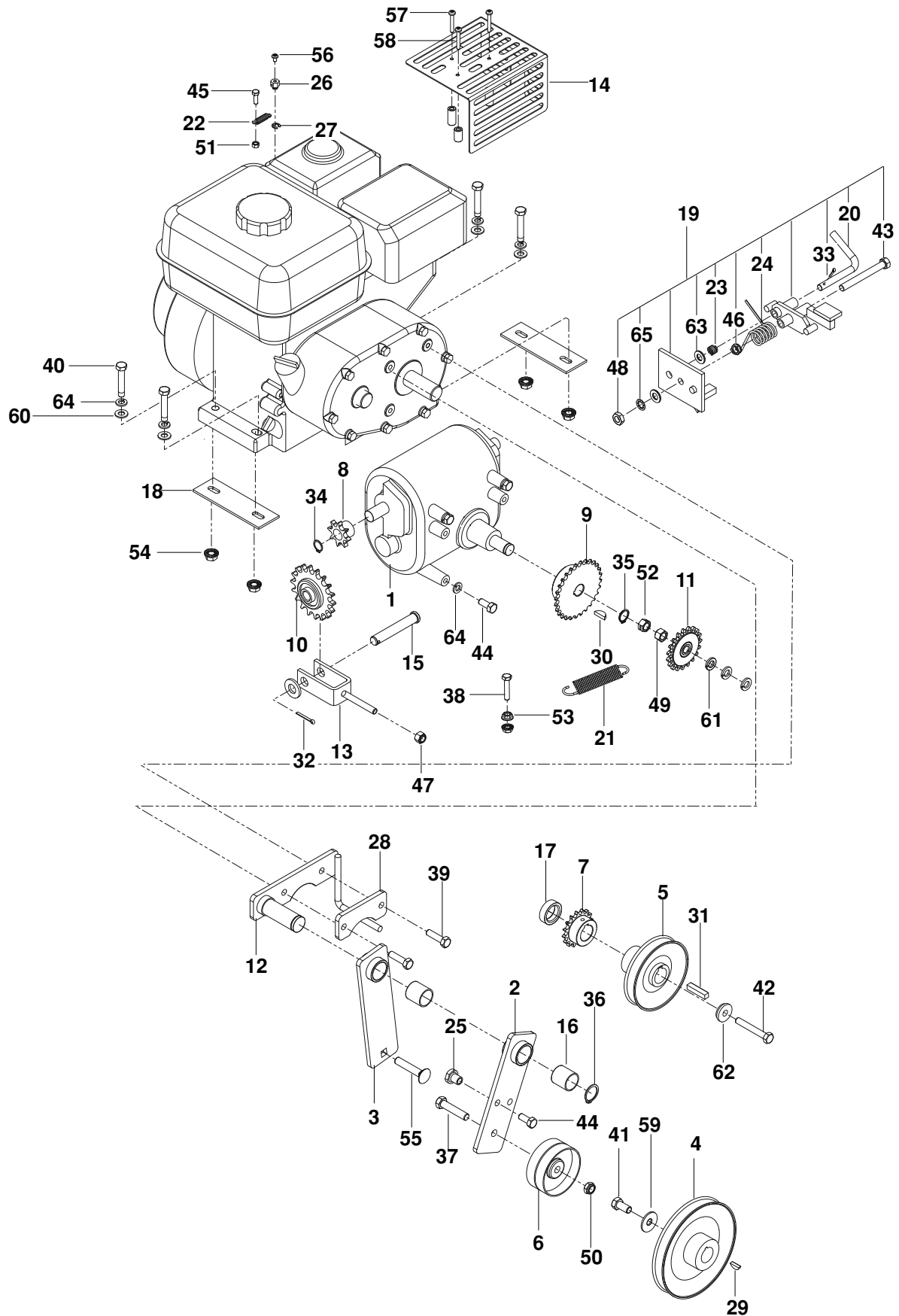


# FRAME

---

- |  |  |
|--|--|
| 1.. 539 114010.....1 ... CHASSIS ORG                 | 9.. 539 990563.....4 ... HCS $\frac{3}{8}$ -16 x 1                         |
| 2.. 539 114007.....1 ... BRACKET, END ORG            | 10.. 539 990362... 17 ... SCREW $\frac{1}{4}$ -20 x $\frac{5}{8}$ SELF TAP |
| 3.. 539 114003.....1 ... COVER, TOP ORG              | 11.. 539 112861.....2 ... PLATE, NUT BLK                                   |
| 4.. 539 133078.....1 ... COVER, SHIFT ORG            | 12.. 539 976979.....4 ... NUT $\frac{3}{8}$ -16 HEX NYLOC                  |
| 5.. 539 114006.....1 ... BELLY PAN ORG               | 13.. 505 155501.....1 ... SWITCH, TOGGLE                                   |
| 6.. 539 112836.....1 ... WEIGHT, FRONT BLK           | NOT SHOWN  |
| 7.. 539 114005.....1 ... SHIELD, PULLEY              | 539 133065 ....1 ... WIRING  |
| 8.. 539 200684.....8 ... RIVET $\frac{3}{16}$ STAVEX |  |

# DRIVE

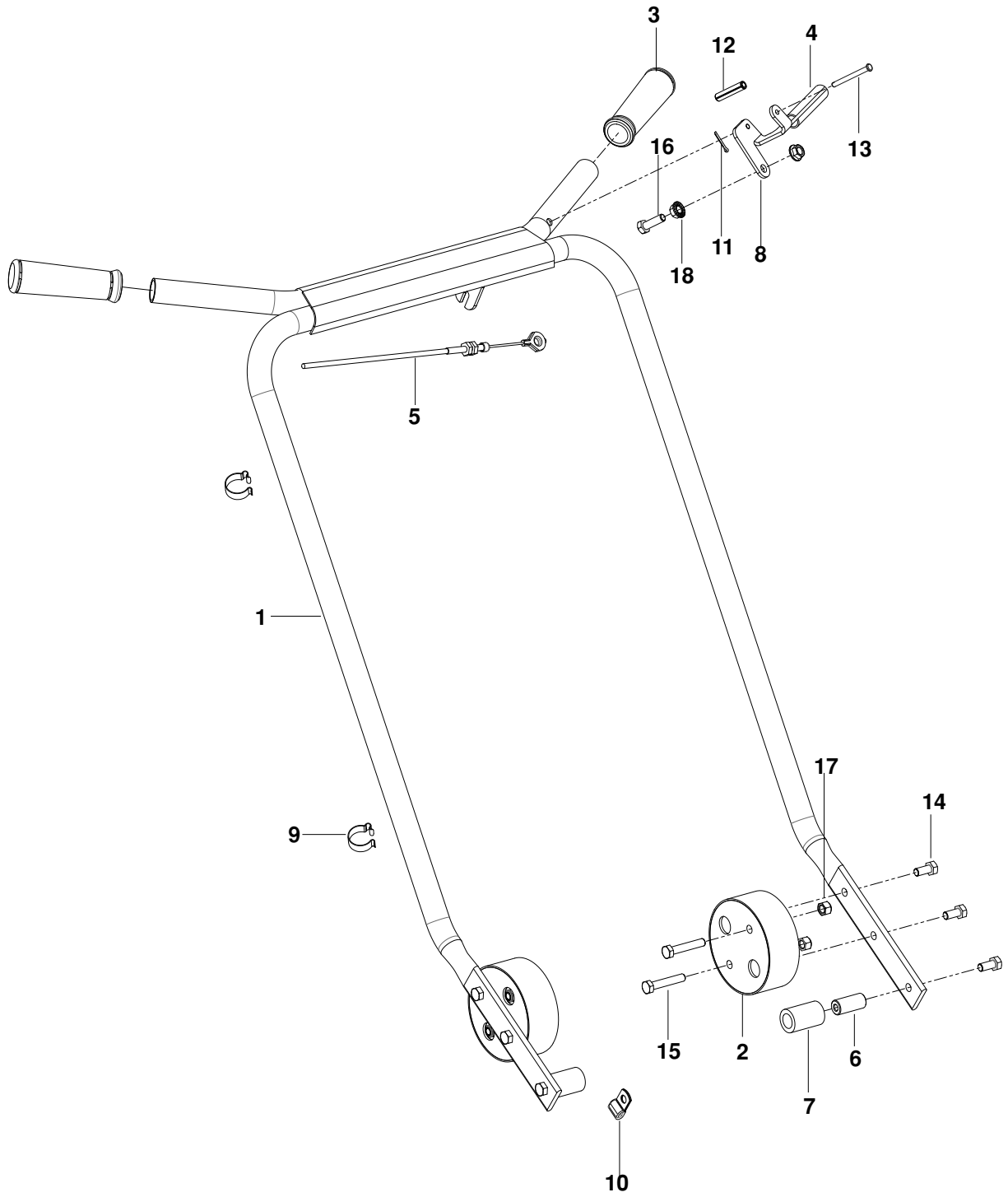


# DRIVE

---

1.. 539 112854.....1 ... TRANSMISSION, 4 SPEED	37.. 539 990730.....1 ... HCS $\frac{3}{8}$ -18 x $1\frac{3}{4}$
2.. 539 112869.....1 ... ARM, IDLER, BELT w/ BSHG	38.. 539 100266.....1 ... HCS $\frac{1}{4}$ -20 x $1\frac{1}{4}$
3.. 539 112868.....1 ... ARM, IDLER, CHAIN w/ BSHG	39.. 539 100567.....2 ... HCS M8-1.25 x 30 GR 8.8
4.. 539 112463.....1 ... PULLEY, 5.25 A	40.. 539 990669.....4 ... HCS $\frac{5}{16}$ -18 x $1\frac{3}{4}$
5.. 539 112464.....1 ... PULLEY, 3.75 A	41.. 539 977748.....1 ... HCS $\frac{3}{8}$ -24 x $\frac{3}{4}$
6.. 539 000343.....1 ... PULLEY, IDLER	42.. 539 112859.....1 ... HCS M8-1.25 x 55 GR 8.8
7.. 539 030440.....1 ... SPROCKET, ENGINE	43.. 539 108367.....1 ... HCS $\frac{1}{2}$ -13 x $4\frac{1}{2}$
8.. 539 030456.....1 ... SPROCKET #40 CHAIN	44.. 539 976934.....5 ... HCS $\frac{5}{16}$ -18 x $\frac{3}{4}$
9.. 539 030429.....1 ... SPROCKET	45.. 539 108520.....1 ... HCS M5-0.8 x 16 GR 8.8
10.. 539 030430.....1 ... SPROCKET	46.. 539 108010.....1 ... NUT $\frac{1}{2}$ -13 JAM NYLOC GR2
11.. 539 112833.....1 ... SPROCKET, 35 PITCH	47.. 539 990717.....1 ... NUT $\frac{5}{16}$ -18 NYLOC
12.. 539 112855.....1 ... PIVOT, IDLER BLK	48.. 539 108784.....1 ... NUT $\frac{1}{2}$ -13 HEAVY JAM
13.. 539 003133.....1 ... CHAIN TENSIONER, BLK	49.. 539 976979.....1 ... NUT $\frac{3}{8}$ -16 NYLOC
14.. 539 114031.....1 ... SHIELD, HEAT	50.. 539 200282.....1 ... NUT $\frac{3}{8}$ -16 HAM NYLOC
15.. 539 109216.....1 ... PIN, CLEVIS $\frac{1}{2}$ x 3	51.. 539 109154.....1 ... NUT 5mm-8
16.. 539 108619.....2 ... BUSHING	52.. 539 990546.....1 ... NUT $\frac{3}{8}$ -16 CNTRLK
17.. 539 112825.....1 ... SPACER, PTO SHAFT	53.. 539 108735.....2 ... NUT $\frac{1}{4}$ -20 FLANGE LK
18.. 539 005193.....2 ... PLATE, ENGINE	54.. 539 112899.....4 ... NUT $\frac{5}{16}$ -18 FLANGE NYLOC
19.. 539 030312.....1 ... BRAKE ASSY	55.. 539 100145.....1 ... RHSNB $\frac{3}{8}$ -16 x 2
20.. 539 001425.....1 ... HANDLE, BRAKE	56.. 539 108583.....1 ... SCREW #8-32 x $\frac{1}{4}$
21.. 539 010195.....1 ... SPRING	57.. 539 114034.....2 ... SCREW, M5-0.8 x 40 PAN HD
22.. 539 030445.....1 ... SPRING, THROTTLE	58.. 539 114038.....1 ... SCREW, M5-0.8 x 35 PAN HD
23.. 539 005153.....1 ... SPRING, LOAD	59.. 539 112483.....1 ... WASHER $\frac{3}{8}$ SPRING
24.. 539 052861.....1 ... SPRING, TORSION	60.. 539 990188.....4 ... WASHER $\frac{5}{16}$ SAE
25.. 539 113455.....1 ... ANCHOR, SPRING	61.. 539 990118.....3 ... WASHER $\frac{3}{8}$ SPLT LOCK
26.. 539 030449.....1 ... CLAMP, THROTTLE CABLE	62.. 539 112826.....1 ... WASHER, STEPPED
27.. 539 030451.....1 ... CLIP, E-RING	63.. 539 990250.....1 ... WASHER $\frac{1}{2}$ SAE
28.. 539 113180.....1 ... KEEPER, CHAIN	64.. 539 990187.....8 ... WASHER $\frac{5}{16}$ SLW
29.. 539 910008.....1 ... KEY WOODRUFF #6	65.. 539 990509.....1 ... WASHER $\frac{1}{2}$ INT LOCK
30.. 539 910211.....1 ... KEY, WOODRUFF #9	NOT SHOWN
31.. 539 109159.....1 ... KEY 7mm SQ x 33mm	539 030439 ....1 ... V-BELT
32.. 539 109246.....1 ... PIN $\frac{1}{8}$ x 1 COTTER	539 030443 ....1 ... CHAIN, TRANSMISSION #35
33.. 539 990365.....1 ... PIN $\frac{1}{8}$ " x $\frac{3}{4}$ " COTTER	539 112875 ....1 ... CHAIN, #40
34.. 539 109984.....1 ... RING $\frac{9}{16}$ RETAINING	
35.. 539 101971.....1 ... RING, RETAINING	
36.. 539 101151.....1 ... RING, RETAINING	

# HANDLE



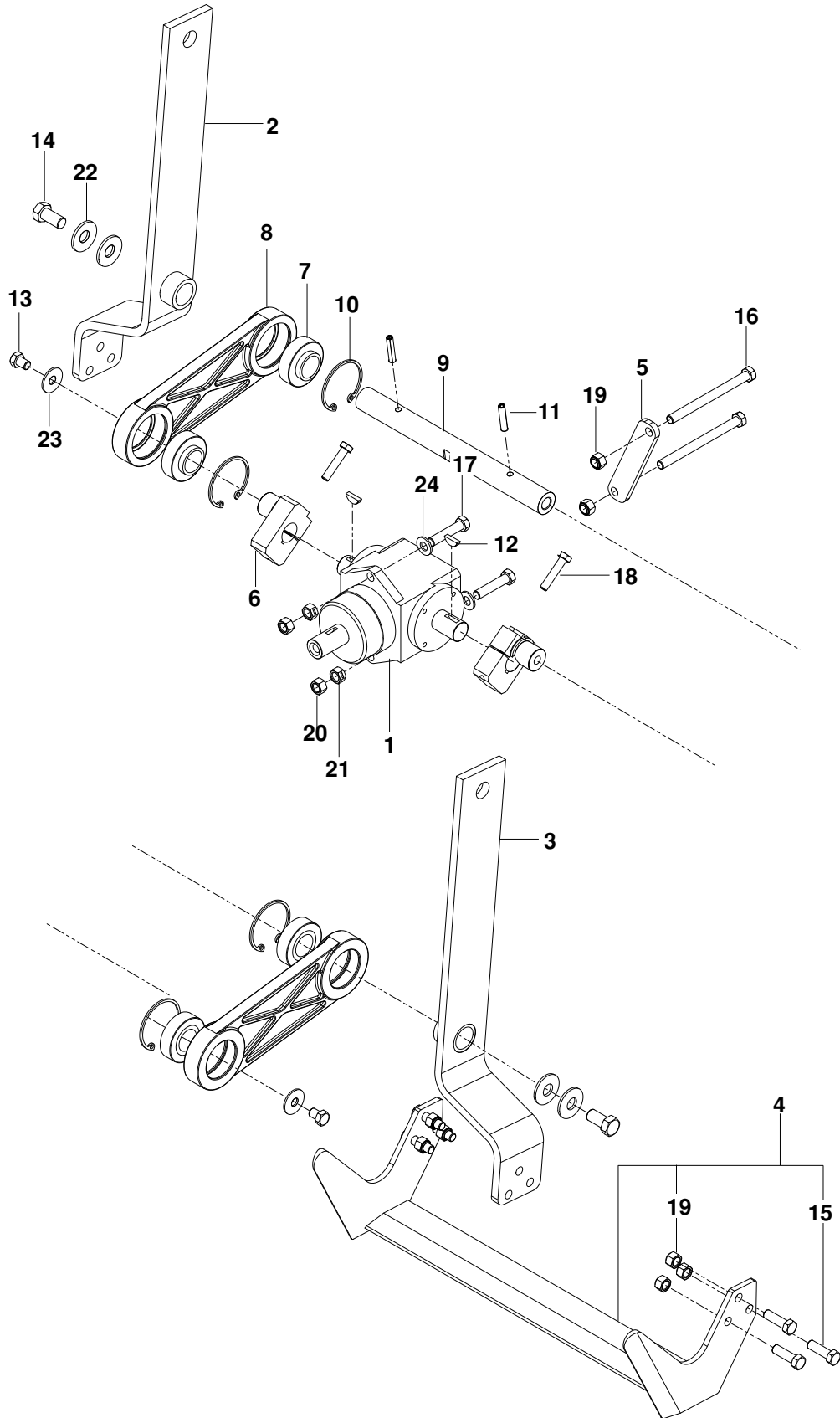


# HANDLE

---

- |   |  |
|---|--|
| 1.. 539 114013.....1 ... HANDLE GRY           | 10.. 539 109867.....1 ... TUBE CLAMP, DOUBLE                           |
| 2.. 539 030452.....2 ... MOUNT, SHEAR LOAD    | 11.. 539 990037.....1 ... PIN $\frac{3}{32}$ x $\frac{3}{4}$ COTTER    |
| 3.. 539 000090.....2 ... GRIP, HANDLE         | 12.. 539 113222.....1 ... PIN $\frac{5}{16}$ DIA x $1\frac{1}{2}$ ROLL |
| 4.. 539 101050.....1 ... GRIP, VINYL          | 13.. 539 113223.....1 ... PIN, CLEVIS                                  |
| 5.. 539 113221.....1 ... CABLE, PULL          | 14.. 539 108519.....6 ... HCS M8-1.25 x 22, GR 8.8                     |
| 6.. 539 113454.....2 ... STAND OFF            | 15.. 539 990669.....4 ... HCS $\frac{5}{16}$ -18 x $1\frac{3}{4}$      |
| 7.. 539 030468.....2 ... BUSHING              | 16.. 539 990209.....1 ... HCS $\frac{5}{16}$ -18 x 1                   |
| 8.. 539 114020.....1 ... LEVER, THROTTLE, ORG | 17.. 539 990717.....4 ... NUT $\frac{5}{16}$ -18 HEX NYLOC             |
| 9.. 539 112870.....2 ... CLIP, CABLE          | 18.. 539 990585.....2 ... NUT $\frac{5}{16}$ -18 WHIZLK                |

# BLADE DRIVE

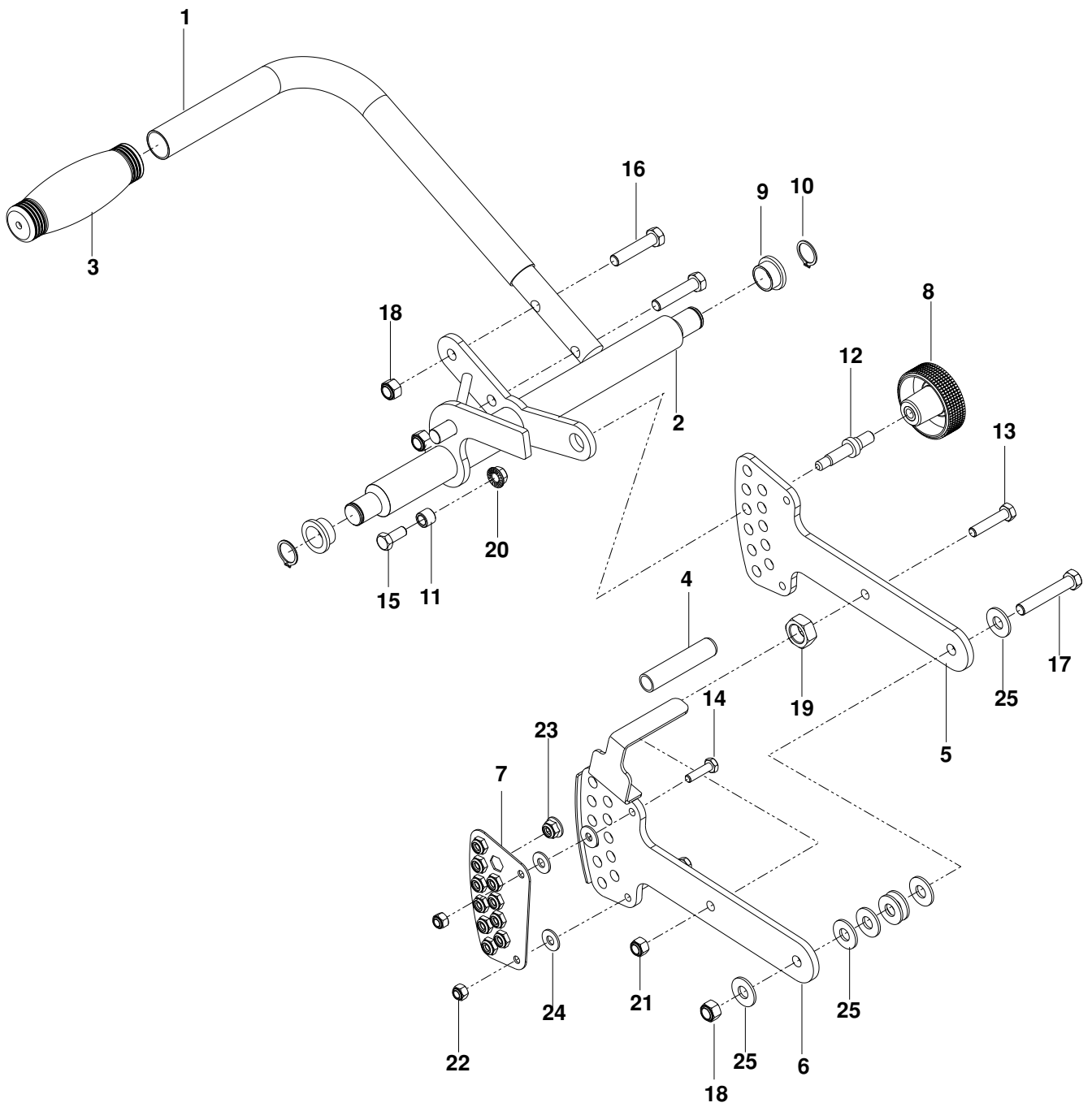


# BLADE DRIVE

---

- |   |  |
|---|--|
| 1.. 539 030455.....1 ... GEAR BOX                                   | 13.. 539 106776.....2 ...HCS $\frac{3}{8}$ -16 x $\frac{1}{2}$       |
| 2.. 539 112873.....1 ... BLADE ARM, RT BLK                          | 14.. 539 990646.....2 ...HCS $\frac{1}{2}$ -13 x 1                   |
| 3.. 539 112874.....1 ... BLADE ARM, LT BLK                          | 15.. 539 130628.....6 ...HCS $\frac{3}{8}$ -16 x $1\frac{1}{4}$ GR 8 |
| 4.. 539 113449.....1 ... BLADE KIT, 18"                             | 16.. 539 990591.....2 ...HCS $\frac{3}{8}$ -16 x $4\frac{1}{2}$      |
| 5.. 539 112850.....1 ... STRAP, T BOX BLK                           | 17.. 539 977670.....2 ...HCS $\frac{3}{8}$ -24 x $1\frac{3}{4}$ GR 8 |
| 6.. 539 112872.....2 ... ECCENTRIC                                  | 18.. 539 976935.....2 ...HCS $\frac{5}{16}$ -18 x $1\frac{1}{2}$     |
| 7.. 539 115279.....4 ... BEARING                                    | 19.. 539 976979.....8 ... NUT $\frac{3}{8}$ -16 NYLOC                |
| 8.. 539 112465.....2 ... LINK, CONNECTING                           | 20.. 539 990155.....2 ... NUT $\frac{3}{8}$ -24 GR2                  |
| 9.. 539 112471.....1 ... SHAFT, BLADE ARM                           | 21.. 539 990289.....2 ... NUT $\frac{3}{8}$ -24 CTR LK               |
| 10.. 539 112482.....4 ... RING 52mm SNAP                            | 22.. 539 112484.....4 ... WASHER $\frac{1}{2}$ SPRING                |
| 11.. 539 112879.....2 ... PIN $\frac{1}{4}$ x $1\frac{1}{4}$ SPIRAL | 23.. 539 112483.....2 ... WASHER $\frac{3}{8}$ SPRING                |
| 12.. 539 910211.....2 ... KEY, WOODRUFF #9                          | 24.. 539 990122.....2 ... WASHER $\frac{3}{8}$ SAE                   |

# DEPTH CONTROL

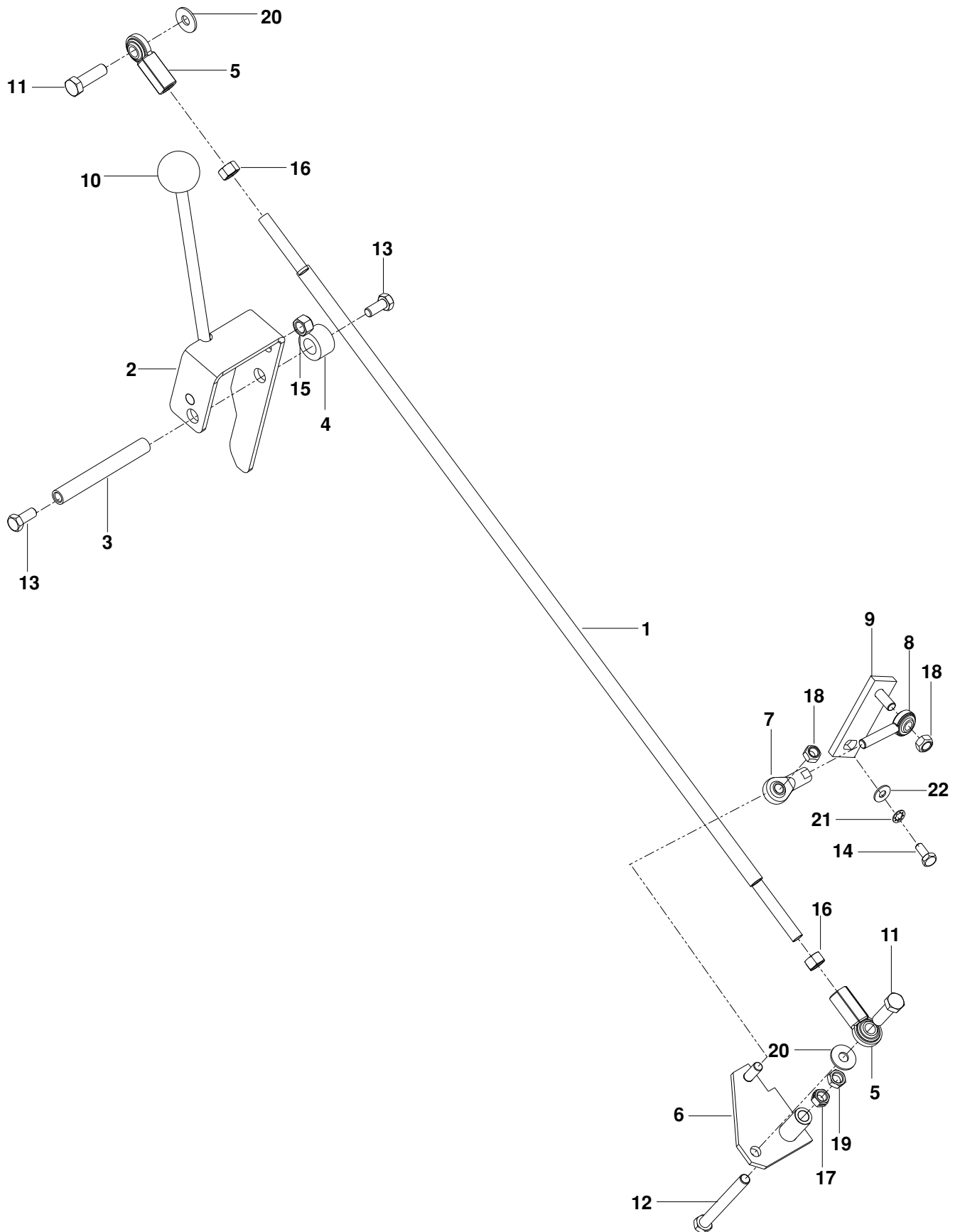


## DEPTH CONTROL

---

- |  |   |
|--|---|
| 1.. 539 114016.....1 ...HANDLE GRY                               | 14.. 539 990548.....2 ...HCS $\frac{1}{4}$ -20 x 1              |
| 2.. 505 162703.....1 ...SHAFT                                    | 15.. 539 976934.....1 ...HCS $\frac{5}{16}$ -18 x $\frac{3}{4}$ |
| 3.. 539 976488.....1 ...GRIP, HANDLE                             | 16.. 539 990730.....2 ...HCS $\frac{3}{8}$ -16 x $1\frac{3}{4}$ |
| 4.. 539 101050.....1 ...GRIP, VINYL                              | 17.. 539 990629.....1 ...HCS $\frac{3}{8}$ -16 x $2\frac{1}{4}$ |
| 5.. 539 114017.....1 ...ADJUSTER GRY                             | 18.. 539 976979.....3 ...NUT $\frac{3}{8}$ -16 NYLOC            |
| 6.. 539 114018.....1 ...ADJUSTER, RT GRY                         | 19.. 539 976980.....1 ...NUT $\frac{5}{8}$ -18                  |
| 7.. 539 114019.....1 ...PLATE, ADJUSTER NUT GRY                  | 20.. 539 990585.....1 ...NUT $\frac{5}{16}$ WHIZLK              |
| 8.. 539 113452.....1 ...KNOB                                     | 21.. 539 990717.....1 ...NUT $\frac{5}{16}$ NYLOC               |
| 9.. 539 112895.....2 ...BEARING, FLANGE                          | 22.. 539 976978.....2 ...NUT $\frac{1}{4}$ -20 NYLOC            |
| 10.. 539 112496.....2 ...RING $\frac{3}{4}$ SNAP                 | 23.. 539 112899...11 ...NUT $\frac{5}{16}$ -18 FLANGE NYLOC     |
| 11.. 539 102827.....1 ...SPACER, PULLEY                          | 24.. 539 990598.....2 ...WASHER $\frac{1}{4}$                   |
| 12.. 516 034901.....1 ...ADJUSTER, STUD                          | 25.. 539 990517.....7 ...WASHER $\frac{3}{8}$                   |
| 13.. 539 976935.....1 ...HCS $\frac{5}{16}$ -18 x $1\frac{1}{2}$ |   |

# GEARS

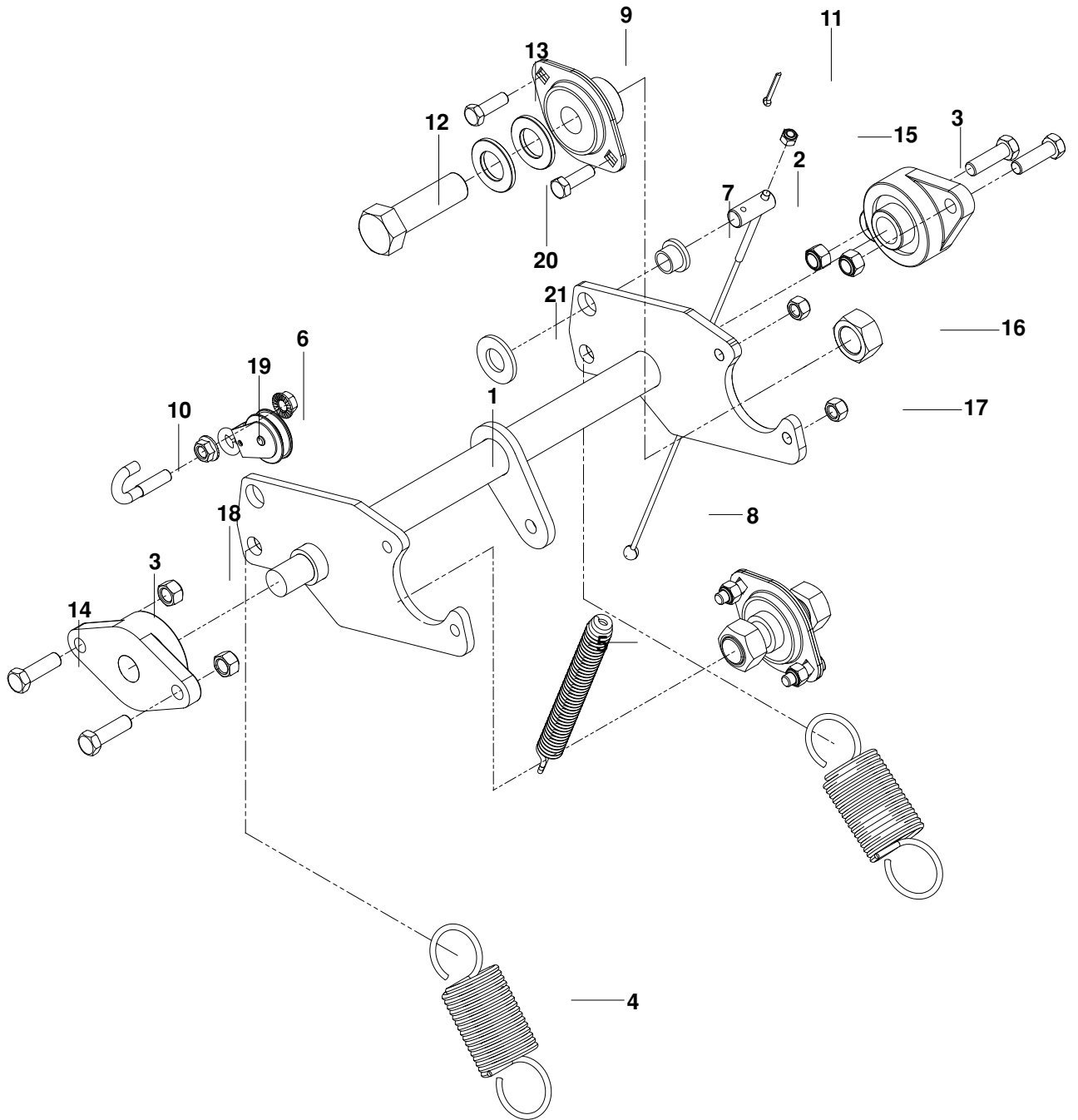


# GEARS

---

- |  |   |
|--|---|
| 1.. 539 112852.....1 ... ROD, SHIFT BLK                          | 12.. 539 102754.....1 ... HCS $\frac{3}{8}$ -16 x $3\frac{1}{2}$ GR 8 |
| 2.. 539 114009.....1 ... LEVER, SHIFT ORG                        | 13.. 539 976934.....2 ... HCS $\frac{5}{16}$ -18 x $\frac{3}{4}$      |
| 3.. 539 112490.....1 ... SHAFT, SHIFT PIVOT                      | 14.. 539 990100.....1 ... HCS $\frac{1}{4}$ -28 x $\frac{5}{8}$       |
| 4.. 539 100526.....1 ... SPACER                                  | 15.. 539 976979.....1 ... NUT $\frac{3}{8}$ -16 NYLOC                 |
| 5.. 539 030425.....2 ... ROD END $\frac{3}{8}$ -24 FEMALE        | 16.. 539 990155.....2 ... NUT $\frac{3}{8}$ -24 GR2                   |
| 6.. 539 003136.....1 ... BELL CRANK, SHIFT                       | 17.. 539 990546.....1 ... NUT $\frac{3}{8}$ -16 CNTRLK                |
| 7.. 539 102590.....1 ... BALL END, RT                            | 18.. 539 109758.....2 ... NUT $\frac{5}{16}$ -24 TOP LK GRC           |
| 8.. 539 030423.....1 ... ROD END $\frac{5}{16}$ MALE             | 19.. 539 109332.....1 ... NUT $\frac{3}{8}$ -16 JAM                   |
| 9.. 539 003135.....1 ... ARM, SHIFT                              | 20.. 539 990692.....2 ... WASHER $\frac{5}{16}$                       |
| 10.. 539 112877.....1 ... KNOB, SHIFT                            | 21.. 539 990053.....1 ... WASHER $\frac{1}{4}$ INT TOOTH LK           |
| 11.. 539 976941.....2 ... HCS $\frac{3}{8}$ -16 x $1\frac{1}{4}$ | 22.. 539 990055.....1 ... WASHER $\frac{1}{4}$ SAE                    |

# TRUNNION





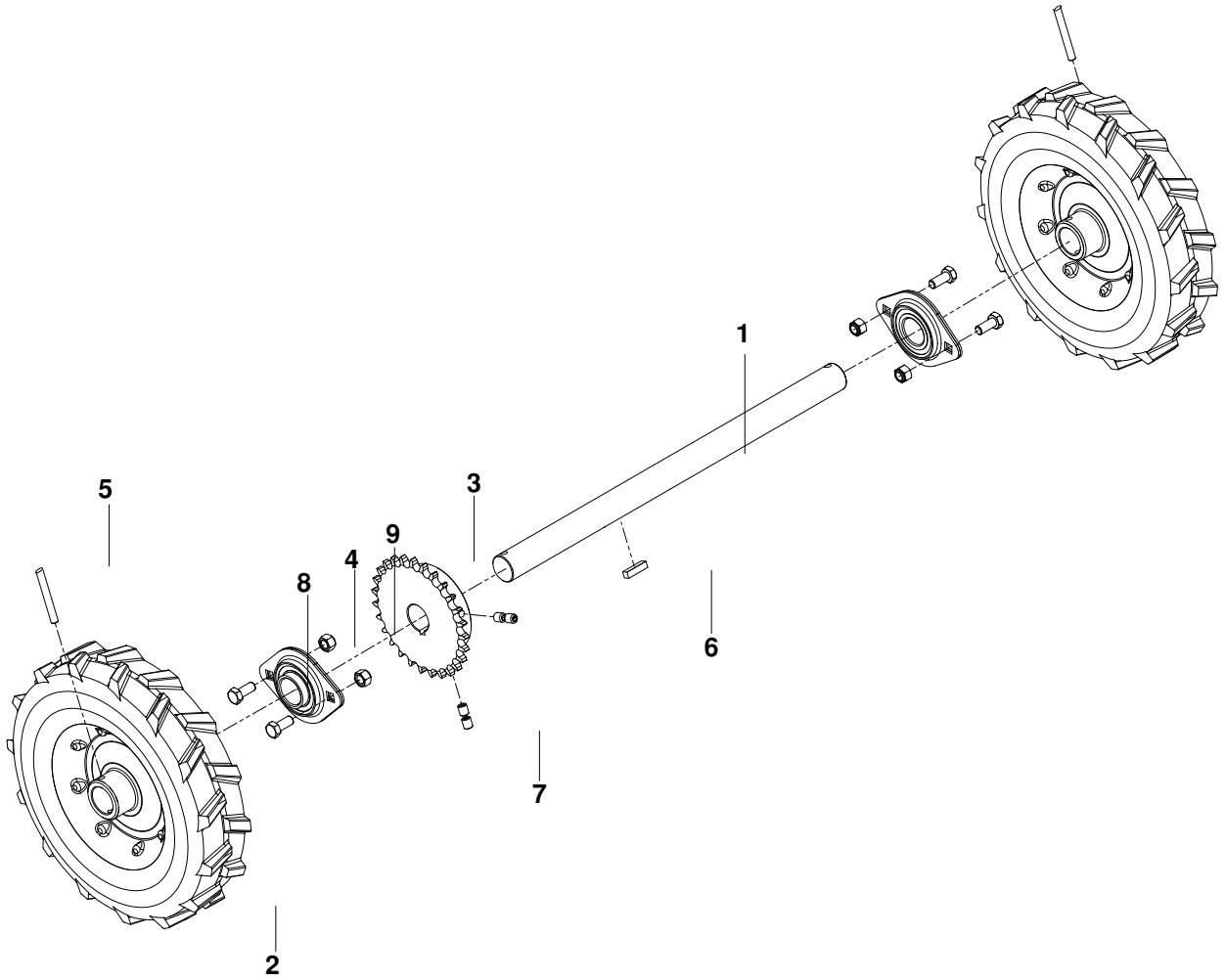
# TRUNNION

---

- |  |  |
|--|--|
| 1.. 539 112834.....1 ... SHAFT, TRUNNION BLK           | 12.. 539 108438.....2 ...HCS $\frac{3}{4}$ -16 x 2 $\frac{1}{2}$ |
| 2.. 539 130624.....1 ... PIN, CABLE PIVOT              | 13.. 539 990209.....4 ...HCS $\frac{5}{16}$ -18 x 1              |
| 3.. 539 112478.....2 ... BEARING $\frac{3}{4}$ 2 BOLT  | 14.. 539 976941.....4 ...HCS $\frac{3}{8}$ -16 x 1 $\frac{1}{4}$ |
| 4.. 539 113185.....2 ... SPRING, EXTENSION             | 15.. 539 976978.....1 ... NUT $\frac{1}{4}$ -20 NYLOC            |
| 5.. 539 113377.....1 ... SPRING, EXTENSION             | 16.. 539 110800.....2 ... NUT $\frac{3}{4}$ -16 TOP LK           |
| 6.. 539 030464.....1 ... BRACKET, PULLEY               | 17.. 539 990717.....4 ... NUT $\frac{5}{16}$ -18 NYLOC           |
| 7.. 539 100032.....1 ... BUSHING, FLANGED              | 18.. 539 976979.....4 ... NUT $\frac{3}{8}$ -16 NYLOC            |
| 8.. 539 130625.....1 ... CABLE, PULL                   | 19.. 539 990585.....2 ... NUT $\frac{5}{16}$ -18 WHIZLK          |
| 9.. 539 000316.....4 ... FLANGE $\frac{3}{4}$          | 20.. 539 109333.....4 ... WASHER $\frac{3}{4}$ SAE               |
| 10.. 539 112896.....1 ... J-BOLT                       | 21.. 539 976982.....1 ... WASHER $\frac{5}{8}$ SAE               |
| 11.. 539 109246.....1 ... PIN $\frac{1}{8}$ x 1 COTTER |  |

# AXLE

---

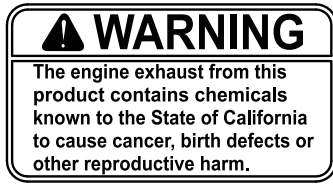


# AXLE

---

- |  |  |
|--|--|
| 1.. 539 112823.....2 ... AXLE                | 6.. 539 105308.....2 ... KEY ¼ SQ x 1                            |
| 2.. 539 030426.....4 ... WHEEL 2.75 x 10 x 1 | 7.. 539 976956.....8 ... KPSS $\frac{5}{16}$ -18 x $\frac{3}{8}$ |
| 3.. 539 000303.....2 ... SPROCKET            | 8.. 539 976934.....8 ... HCS $\frac{5}{16}$ -18 x $\frac{3}{4}$  |
| 4.. 539 000318.....8 ... BEARING FLANGE      | 9.. 539 990717.....8 ... NUT $\frac{5}{16}$ -18 NYLOC            |
| 5.. 539 113453.....4 ... PIN ¼ x 1½ SPIRAL   |  |

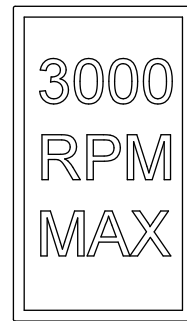
# DECALS



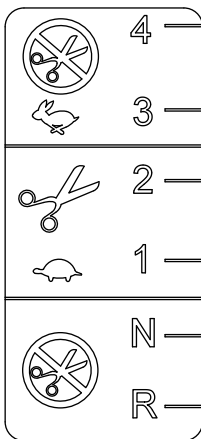
2



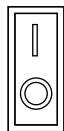
4



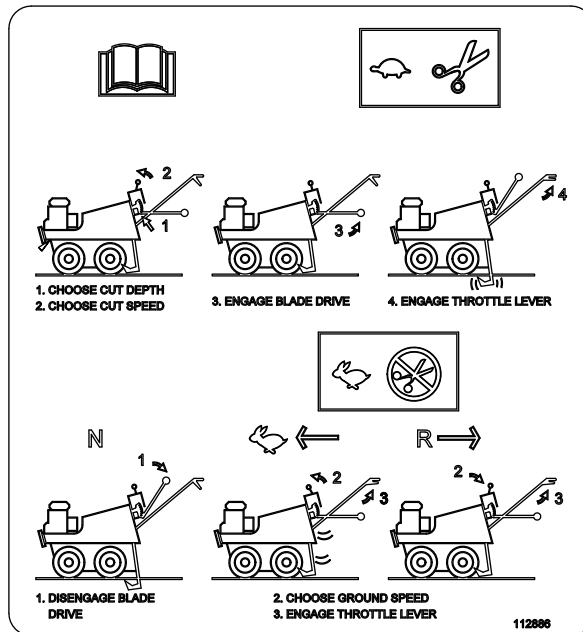
3



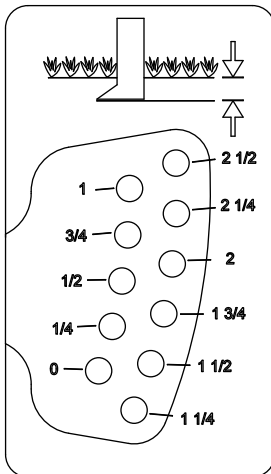
1



10



6



5



7



9



8

# DECALS

---

- |   |  |
|---|--|
| 1.. 539 112881.....1 ...DECAL, SHIFT        | 6.. 539 112886.....1 ...DECAL, OPERATION |
| 2.. 539 101881.....1 ...DECAL, PROP 65      | 7.. 532 428676.....1 ...DECAL, CROWN     |
| 3.. 540 200025.....1 ...DECAL, 3000 MAX RPM | 8.. 532 429196.....1 ...DECAL, HUSQVARNA |
| 4.. 540 200076.....1 ...DECAL, DANGER FOOT  | 9.. 539 108447.....1 ...DECAL, CE        |
| 5.. 539 112888.....1 ...DECAL, DEPTH OF CUT | 10.. 539 200830.....1 ...DECAL, ON / OFF |

