

T-20401

Spare parts

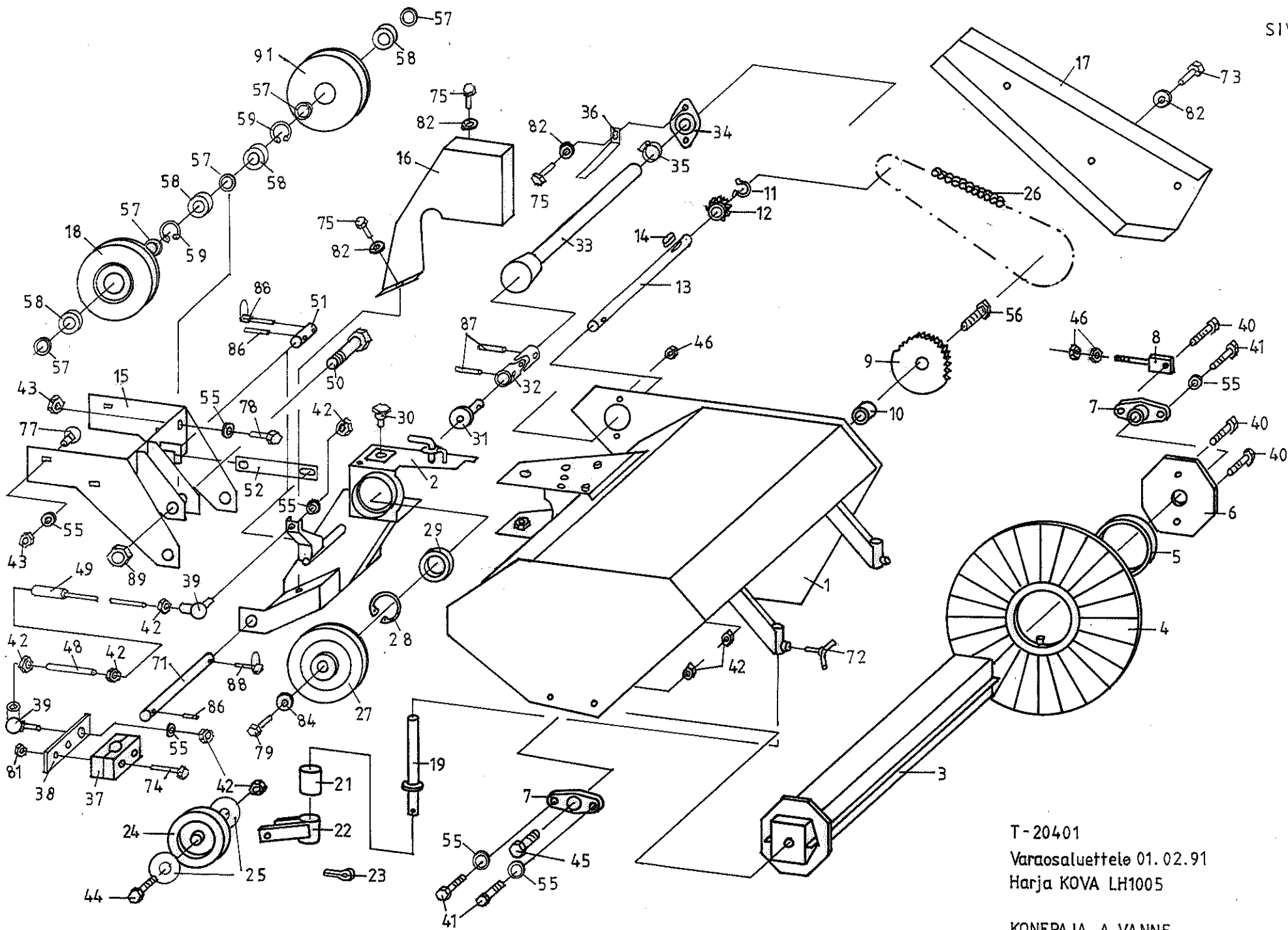
Ersatzteile

Pièces détachées

Reserve onderdelen

Repuestos

Reservdelar

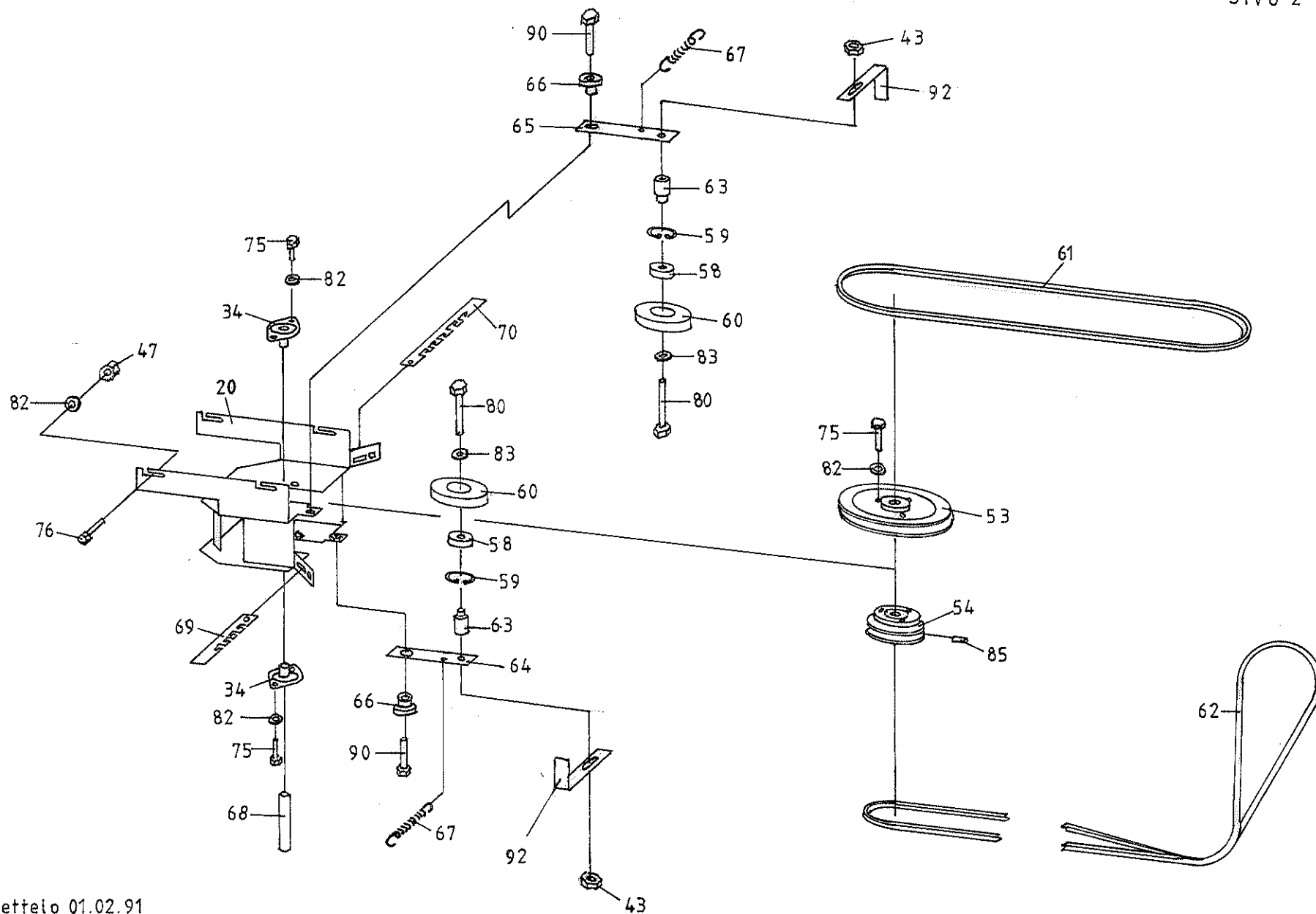


T-20401

Varaosaluettelo 01.02.91

Harja KOVA LH1005

KONEPAJA A.VANNE



T-20401

Varaosaluettelo 01.02.91

Harja KOVA LH1005

KONEPAJA A. VANNE

Key No.	Part No.	Description	Qty.	Key No.	Part No.	Description	Qty.
1	531 00 51-50	Frame	1	49	KOVA# 27117	Rod, Lift	1
2	KOVA# 27103	Weldment	1	50	531 00 51-91	Screw	1
3	531 00 51-52	Roller Shaft	1	51	531 00 51-92	Shaft	2
4	531 00 51-53	Brush Ring	26	52	531 02 11-58	Weldment, Lift	1
5	531 00 51-54	Collar, Plastic	25	53	531 02 11-59	Pulley	1
6	531 00 51-55	Flange	1	54	531 02 11-60	Pulley	1
7	531 00 51-08	Bearing, Flange	2	55	531 02 11-37	Washer	11
8	531 00 51-57	Chain Tightener	1	56	531 00 51-91	Screw	1
9	531 00 51-58	Chain Wheel	1	57	531 00 51-97	Collar	5
10	531 00 51-59	Collar	1	58	531 02 11-38	Bearing	6
11	531 02 11-51	Circlip	1	59	531 00 51-98	Circlip	4
12	531 00 51-60	Chain Wheel	1	60	531 00 51-99	Pulley	2
13	531 00 51-61	Drive Shaft	1	61	531 00 51-01	V-Belt	1
14	531 00 52-20	Key	1	62	531 00 51-04	V-Belt	1
15	KOVA# 27105	Frame	1	63	531 02 11-61	Collar	2
16	531 02 11-53	Belt Guard	1	64	531 02 11-62	Arm	1
17	531 00 51-65	Chain Guard	1	65	531 02 11-77	Arm	1
18	531 00 51-66	Pulley	1	66	531 02 11-64	Collar	2
19	531 00 51-67	Support Shaft, Wheel	2	67	531 00 52-03	Spring	2
20	531 02 11-76	Frame	1	68	531 02 11-66	Shaft	1
21	531 00 51-69	Bushing, Plastic	2	69	531 00 52-04	Tightener, Belt	1
22	531 00 51-70	Support, Wheel	2	70	531 02 11-79	Tightener, Belt	1
23	531 00 51-71	Pin, Split	2	71	531 02 11-68	Shaft	1
24	531 00 51-72	Support Wheel	2	72	531 00 52-12	Screw	2
25	531 00 51-73	Guard, Support	4	73	531 02 11-44	Screw	3
26	531 00 51-11	Drive Chain	1	74	KOVA# 97014	Screw	2
27	531 00 51-75	Pulley	1	75	531 02 11-46	Screw	4
28	531 00 51-76	Circlip	1	76	535 41 50-45	Screw	11
29	531 00 51-12	Bearing	1	77	531 02 11-72	Screw (carriage bolt)	4
30	531 00 51-77	Screw	2	78	531 02 11-73	Screw	2
31	531 00 51-78	Pin	1	79	531 02 11-49	Screw	1
32	531 00 51-79	Universal Joint	1	80	531 02 11-31	Screw	2
33	531 00 51-80	Guard, Drive Shaft	1	81	531 02 11-98	Nut, Lock	2
34	531 00 51-81	Bearing	3	82	531 02 11-84	Washer	17
35	531 00 51-82	Clamp	1	83	531 00 52-15	Collar	2
36	531 00 51-83	Support	1	84	531 02 11-85	Washer	1
37	KOVA# 27114	Mounting, Plastig	1	85	531 02 11-69	Set Screw	1
38	KOVA# 27115	Mounting Plate	1	86	531 00 52-16	Pin, Spring	3
39	KOVA# 29301	Angle Joint	2	87	531 02 11-70	Pin, Spring	2
40	531 02 11-27	Screw	3	88	531 00 52-17	Pin Set	3
41	531 02 11-28	Screw	1	89	531 00 52-18	Nut, Lock	1
42	531 02 11-29	Nut	11	90	531 02 11-27	Screw	2
43	531 02 11-30	Nut, Lock	8	91	531 00 51-68	Pulley	1
44	531 02 11-31	Screw	2	92	531 02 11-71	Guide, Belt	2
45	531 00 51-87	Screw, Special	1				
46	531 02 11-32	Nut	4				
47	531 02 12-19	Nut, Lock	4				
48	KOVA# 27116	Screw	1				

KOVA

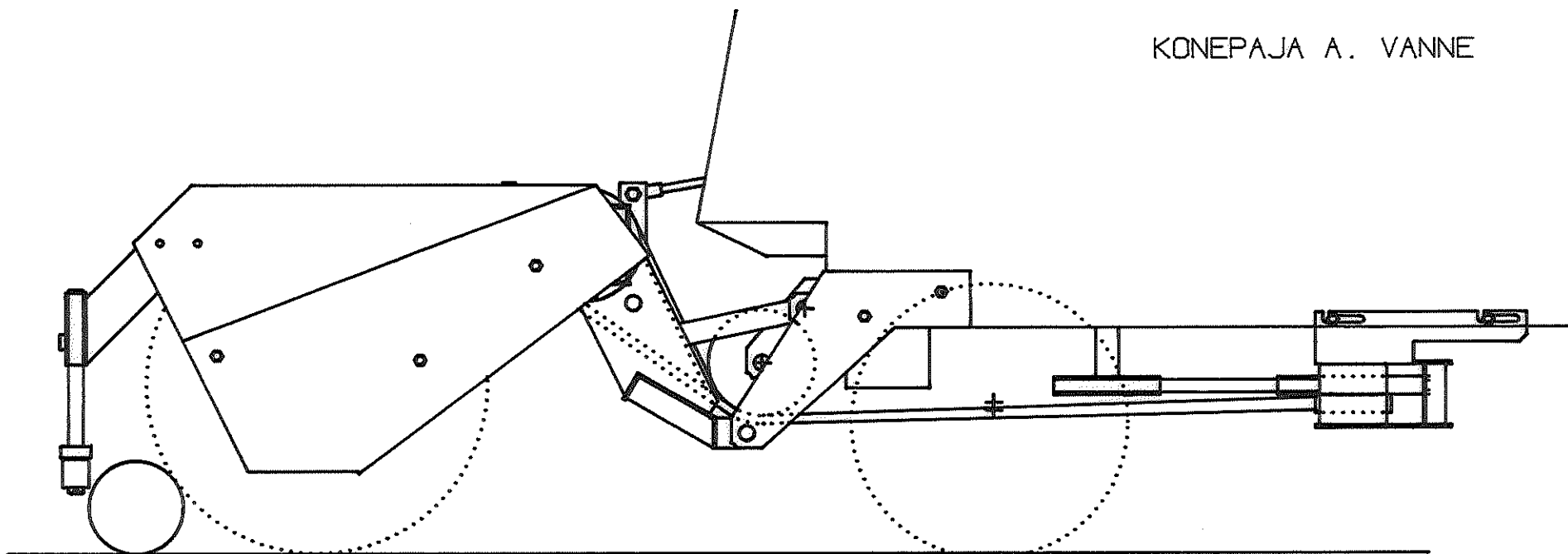
T-20401

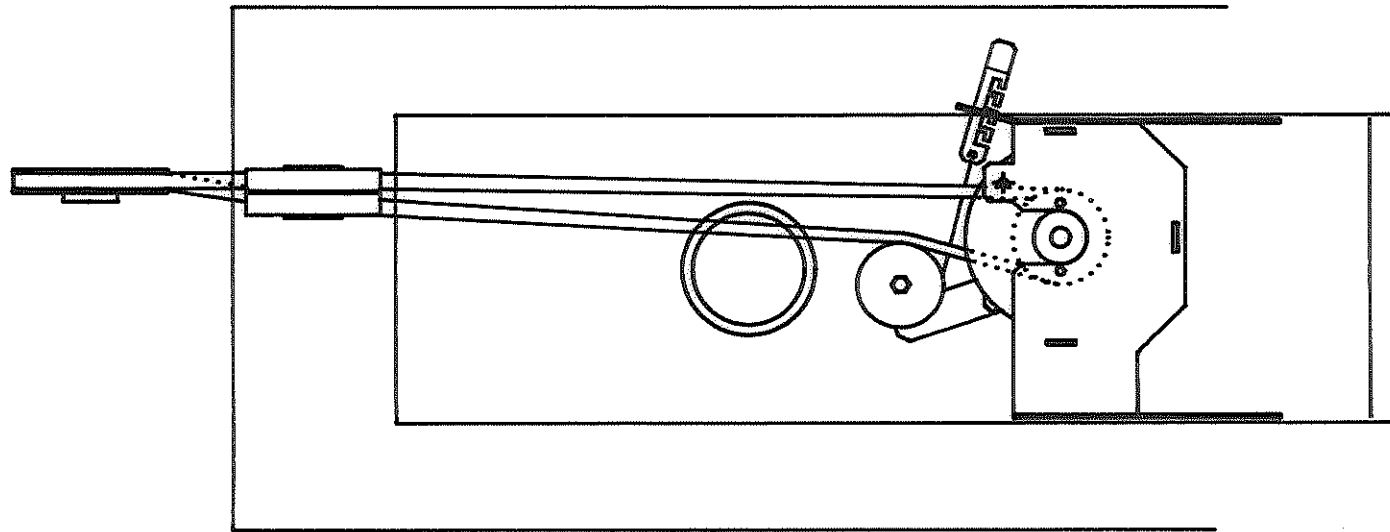
KOVA LH1005

JONSERED JYTH 16

ASENNUSOHJE 01.02.91

KONEPAJA A. VANNE





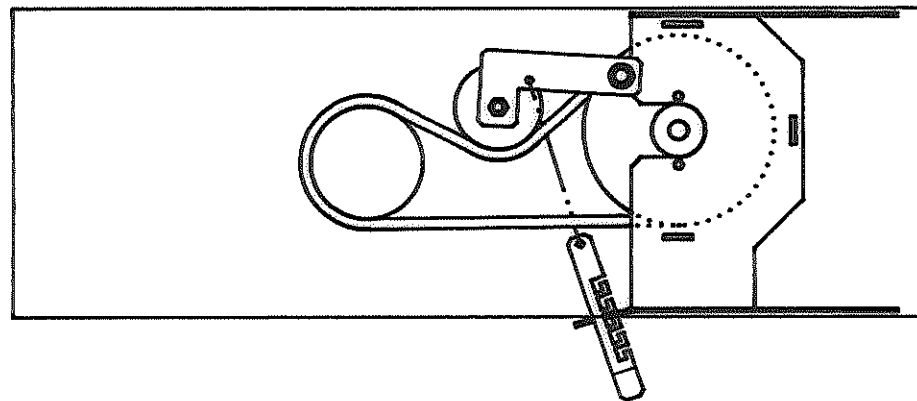
KOVA

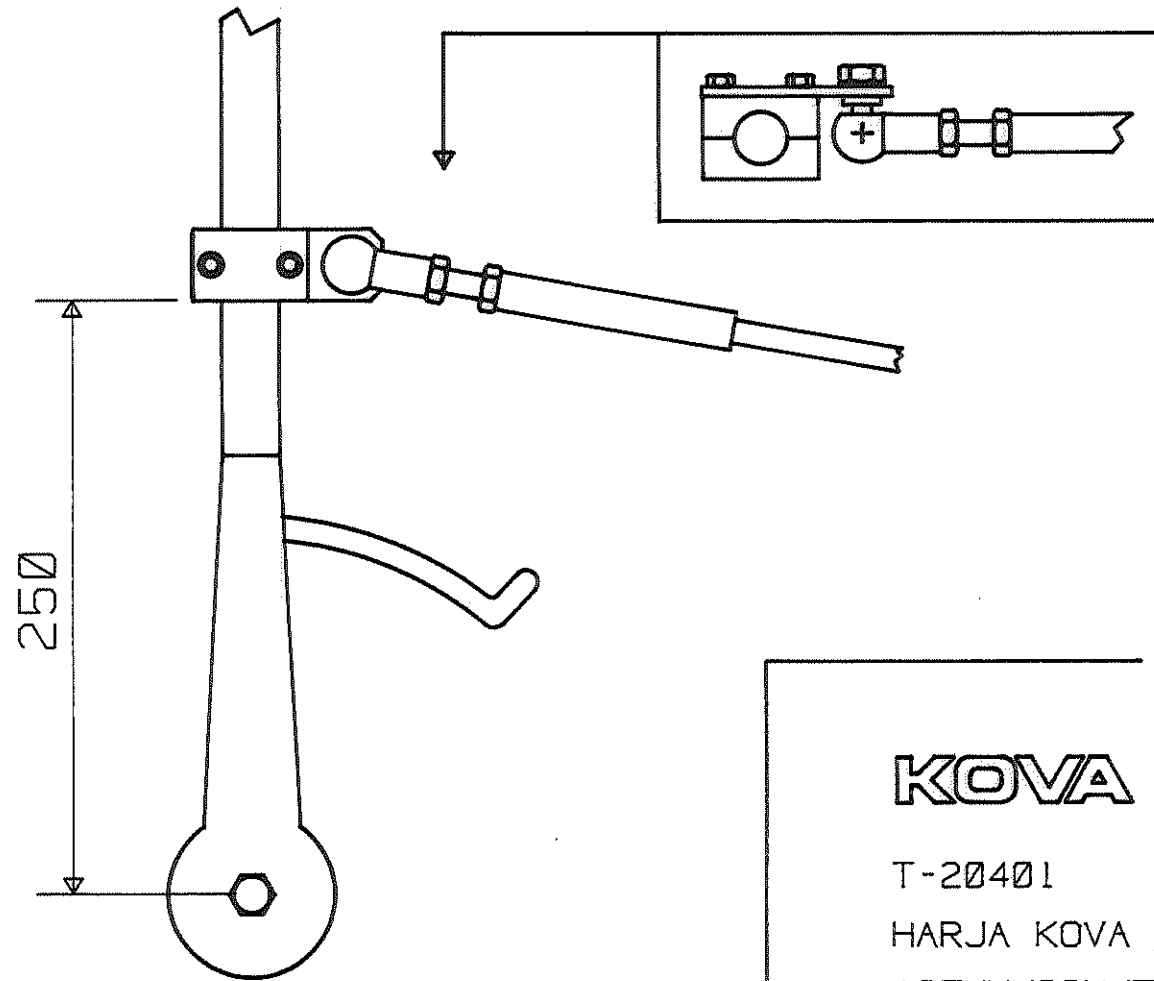
T-20401

KOVA LH1005

ASENNUSOHJE 04.02.91

KONEPAJA A. VANNE





KOVA

T-20401

HARJA KOVA LH1005

ASENNUSOHJE 04.02.91

KONEPAJA A. VANNE

KOVA

T-20401

KOVA LH1005

ASENNUSOHJE 04.02.91

KONEPAJA A. VANNE

