



128RJ (EU,AU)

Spare parts

Ersatzteile

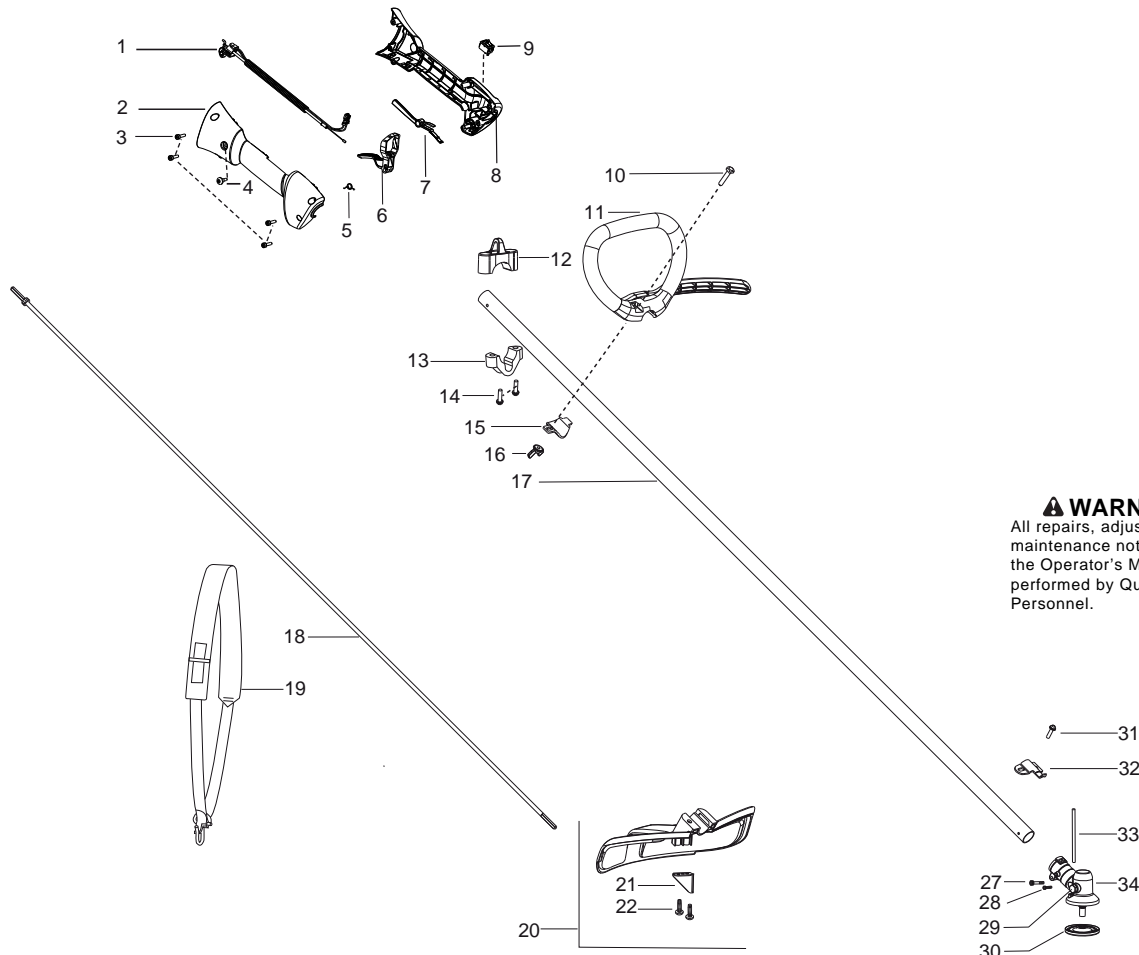
Pièces détachées

Reserve onderdelen

Repuestos

Reservdelar

| | | | |
|-----------------------------|---------------------------------|-------------------------------|---|
| Parts List No. 545192150 | | Husqvarna ® PARTS LIST | MODEL 128RJ (EU/AU) |
| Date 7/29/11 | Replaces 545192150 - 8/20/10 | | NOTE : Illustration may differ from actual model due to design changes. |



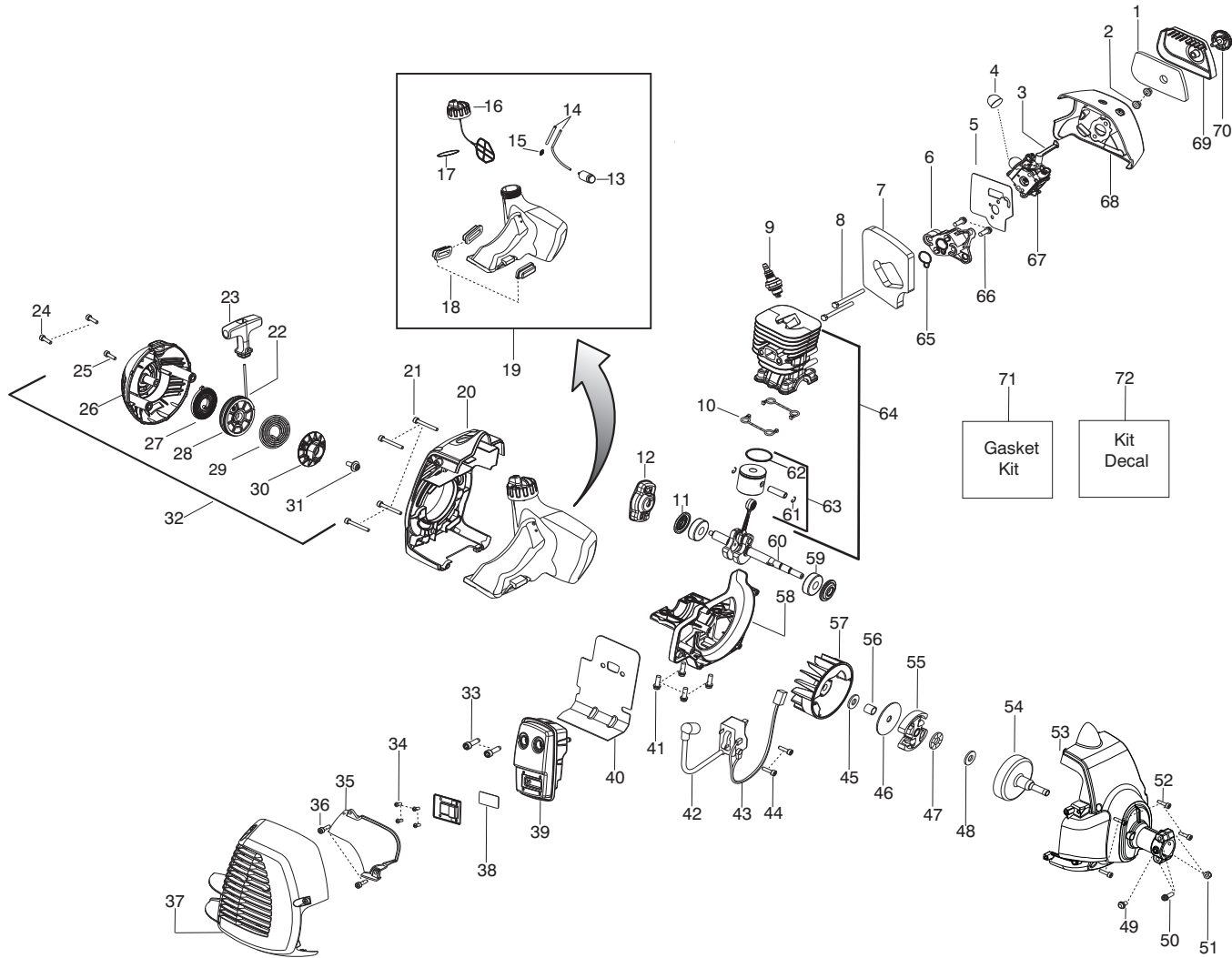
⚠ WARNING
All repairs, adjustments and maintenance not described in the Operator's Manual must be performed by Qualified Service Personnel.

| Ref. | Part No. | Description | Ref. | Part No. | Description | Ref. | Part No. | Description |
|------|-----------|--|------|-----------|-------------------|------|-----------|-------------------|
| 1. | ***** | Assy-Cable/Wire Harness | 22. | 530015814 | Screw | | | |
| 2. | ***** | Housing-Throttle - RH | 27. | 530016014 | Screw | | | |
| 3. | ***** | Screw | 28. | 545003902 | Screw | | | |
| 4. | ***** | Screw | 29. | 575724601 | Grease Plug - 9mm | | | |
| 5. | 530016454 | Spring-Trigger | 30. | 537234901 | Driver Disc | | | |
| 6. | ***** | Trigger | 31. | 530015771 | Screw | | | |
| 7. | ***** | Lockout-Throttle | 32. | 530057554 | Bracket - Shield | | | |
| 8. | ***** | Housing-Thottle - LH | 33. | 502285901 | Pin - Locking | | | |
| 9. | ***** | Kit-Switch | 34. | 530096295 | Assy - Gearbox | | | |
| 10. | 530015820 | Bolt | | | | | | |
| 11. | 545139701 | Assy-Handle/J-Bar | | | | | | |
| 12. | 545113301 | Clamp-Harness (upper) | | | | | | |
| 13. | 545056601 | Clamp-Harness (lower) | | | | | | |
| 14. | 530015940 | Screw | | | | | | |
| 15. | 530059185 | Clamp - Handle | | | | | | |
| 16. | 530016152 | Wingnut | | | | | | |
| 17. | 575776001 | Kit-Driveshaft (Incl. 27,28,29,32,34) | | | | | | |
| 18. | 545007507 | Flexshaft | | | | | 537312901 | Guard - Transport |
| 19. | 537216201 | Harness-w/o warning | | | | | 530031159 | Wrench-Hex |
| 20. | 545030901 | Kit-Shield (Incl. 21,22,31) | | | | | 502114602 | Wrench-Spark Plug |
| 21. | 530052286 | Limitter - Line | | | | | | |

✓ = New Part Number For This IPL

★ = Refer to the Service Reference Indicated for more information.(Located at the END of the IPL)

| | | | |
|------------------------------------|--|-------------------------------|--|
| Parts List No. 545192150 | | Husqvarna ® PARTS LIST | MODEL 128RJ (EU/AU) |
| Date 7/29/11 | Replaces 545192150 - 8/20/10 | | NOTE : Illustration may differ from actual model due to design changes. |



| Ref. | Part No. | Description | Ref. | Part No. | Description | Ref. | Part No. | Description |
|------|-----------|--|------|-----------|--|------|-----------|--|
| 1. | 530150253 | Filter | 27. | 545008087 | Kit-Spring | 51. | 530015768 | Locknut |
| 2. | 530016101 | Nut-Carb. Screw | 28. | 545008078 | Kit-Starter Pulley | 52. | 530016456 | Screw |
| 3. | 530057844 | Lever - Choke | 29. | 544038802 | Spring - Driver | 53. | ★★★★★ | Assy-Fan Housing |
| 4. | 530058709 | Bulb-Purge | 30. | 544038702 | Pulley-Driver | 54. | 530150039 | Assy-Clutch Drum |
| 5. | 545008086 | Kit-Carb. Gasket (Incl 7,65) | 31. | 530016468 | Screw | 55. | 530055122 | Assy-Clutch |
| 6. | 530035596 | Adaptor-Carb. | 32. | 576368301 | Assy-Starter Hsg. (Incl. 22,23,25-31) | 56. | 530057852 | Spacer |
| 7. | 545008084 | Foam-Gasket (kit) | 33. | 530058982 | Bolt-Muffler | 57. | 530039242 | Flywheel |
| 8. | 530016400 | Bolt | 34. | 530015241 | Screw | 58. | 545195601 | Crankcase-Cast |
| 9. | 952030201 | Plug-Spark (RCJ-8Y) | 35. | 530150440 | Shield-Heat | 59. | 545013401 | Bearing |
| 10. | 545008084 | Seal-Cylinder (kit) | 36. | 530016449 | Screw | 60. | 545195202 | Assy-Crankshaft |
| 11. | 545008084 | Seal-Crankshaft (kit) | 37. | 576215001 | Kit - Muffler Guard (Incl. Screws) | 61. | 530015162 | Retainer-Piston Pin |
| 12. | 503873305 | Assy-Starter Pawl | 38. | 545030501 | Kit-Spark (Incl. 34) | 62. | 530019283 | Ring-Piston |
| 13. | 530095646 | Assy-Fuel Filter | 39. | 574031502 | Kit-Muffler (Incl. 33,34,38,40) | 63. | 545081814 | Kit-Piston (Incl. 61,62) |
| 14. | 530069599 | Kit-Fuel Line (Incl. 15) | 40. | 545008084 | Gasket-Paper Met.(kit) | 64. | 545008083 | Kit-Cyl./Piston (Incl. 63) |
| 15. | 530023877 | Fitting-Fuel Line | 41. | 530015897 | Screw | 65. | 545008084 | Seal-adaptor (kit) |
| 16. | 530150350 | Assy-Cap w/ret.(Incl. 17) | 42. | 545046701 | Module-Ignition | 66. | 530015897 | Screw |
| 17. | 545008084 | O-Ring-Fuel Cap (kit) | 43. | 530039227 | Assy-Leadwire | 67. | 545081848 | Kit-Carb. (Incl. 3,4,5) |
| 18. | 530059780 | Isolator-Fuel Tank | 44. | 530016456 | Screw | 68. | 576459001 | Airbox |
| 19. | 545180870 | Kit-Fuel Tank Assy. (Incl. 13,14,15,16,17,18) | 45. | 530016463 | Washer | 69. | 530057846 | Cover-Air Box |
| 20. | 576382101 | Shroud-Rear (KIT) | 46. | 530094189 | Washer-Clutch | 70. | 530059796 | Assy-Knob |
| 21. | 530016448 | Screw | 47. | 545173401 | Bearing - Thrust | 71. | 545008084 | Kit-Gasket (Incl. 5,7,10,11,17,40,65) |
| 22. | 545008079 | Kit-Rope | 48. | 530016420 | Washer - Thrust | 72. | 545003326 | Kit-Decal |
| 23. | 545043205 | Handle-Starter | 49. | ★★★★★ | Screw | | | |
| 24. | 530016426 | Screw | 50. | ★★★★★ | Screw | | | |
| 25. | 530016449 | Screw | | | | | | |
| 26. | 576382101 | Starter Hsg. (KIT) | | | | | | |

✓ = New Part Number For This IPL

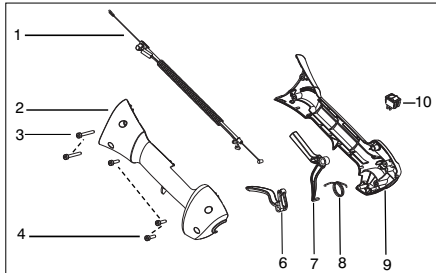
★ = Refer to the Service Reference Indicated for more information.(Located at the END of the IPL)

| | | | |
|------------------------------------|--|-------------------------------|--|
| Parts List No. 545192150 | | Husqvarna ® PARTS LIST | MODEL 128RJ (EU/AU) |
| Date 7/29/11 | Replaces 545192150 - 8/20/10 | | NOTE : Illustration may differ from actual model due to design changes. |

***** **Service Reference** *****

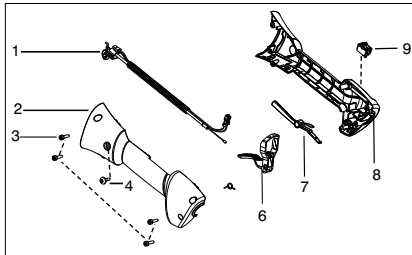
Note : Due to product improvements, your unit may have a different throttle housing assembly.
Please refer to the serial number on your unit and order the parts below.

Serial Number - 2010-72N and lower, please use the following parts:



- Ref.# 1 - 545125301 - Assy-Cable/Wire Harness
- Ref.# 2 - 545062001 - Housing-throttle (RH)
- Ref.# 3 - 530016448 - Screw
- Ref.# 4 - 530016449 - Screw
- Ref.# 6 - 545066001 - Trigger
- Ref.# 7 - 530059804 - Lockout - Throttle
- Ref.# 8 - 545045601 - Spring - Lockout
- Ref.# 9 - 545067001 - Housing-throttle (LH)
- Ref.#10- 545030601 - Kit - Switch

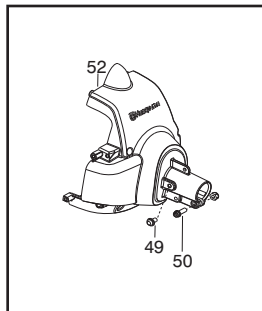
Serial Number - 2010-73N and higher, please use the following parts:



- Ref.# 1 - 576139401 - Assy. - Cable/Wire Harness
- Ref.# 2 - 545223001 - Housing-throttle (RH)
- Ref.# 3 - 530016449 - Screw
- Ref.# 4 - 530015805 - Screw
- Ref.# 6 - 574355301 - Trigger
- Ref.# 7 - 574355401 - Lockout - Throttle
- Ref.# 8 - 545223201 - Housing-throttle (LH)
- Ref.# 9 - 545049309 - Switch

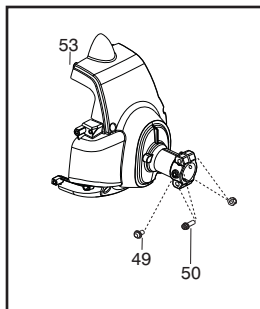
***** **Service Reference** *****

Note : Due to product improvements, your unit may have a different fan housing assembly.
Please refer to the serial number on your unit and order the parts below.



Serial Number - 2010-72N and lower, please use the following parts:

- Ref.# 49 - 530016469 - Screw
- Ref.# 50 - 530016470 - Screw
- Ref.# 52 - 545017501 - Assy. - Fan Housing



Serial Number - 2010-73N and higher, please use the following parts:

- Ref.# 49 - 530015805 - Screw
- Ref.# 50 - 530015774 - Screw
- Ref.# 53 - 545205201 - Assy. - Fan Housing