

Husqvarna Parts Manual

MZ5424S / 96669880 I



Please read the operator's manual carefully and make sure you understand the instructions before using the machine.

When you need spare parts or support in service questions, warranty issues, etc., please consult the following professional:

This manual belongs to the machine with the manufacturing number:	Engine	Transmission

Manufacturing Number

The machine's manufacturing number can be found on the printed plate affixed to the engine compartment.

Stated on the plate, from the top are:

- The machine's type designation (I.D.).
- The manufacturer's type number (Model).
- The machine's serial number (Serial no.)

Please have the type designation and serial number available when ordering spare parts.

The engine's manufacturing number is stamped on one of the valve covers.

The plate states:

- The engine's model.
- The engine's type.
- Code

Please have these available when ordering spare parts.

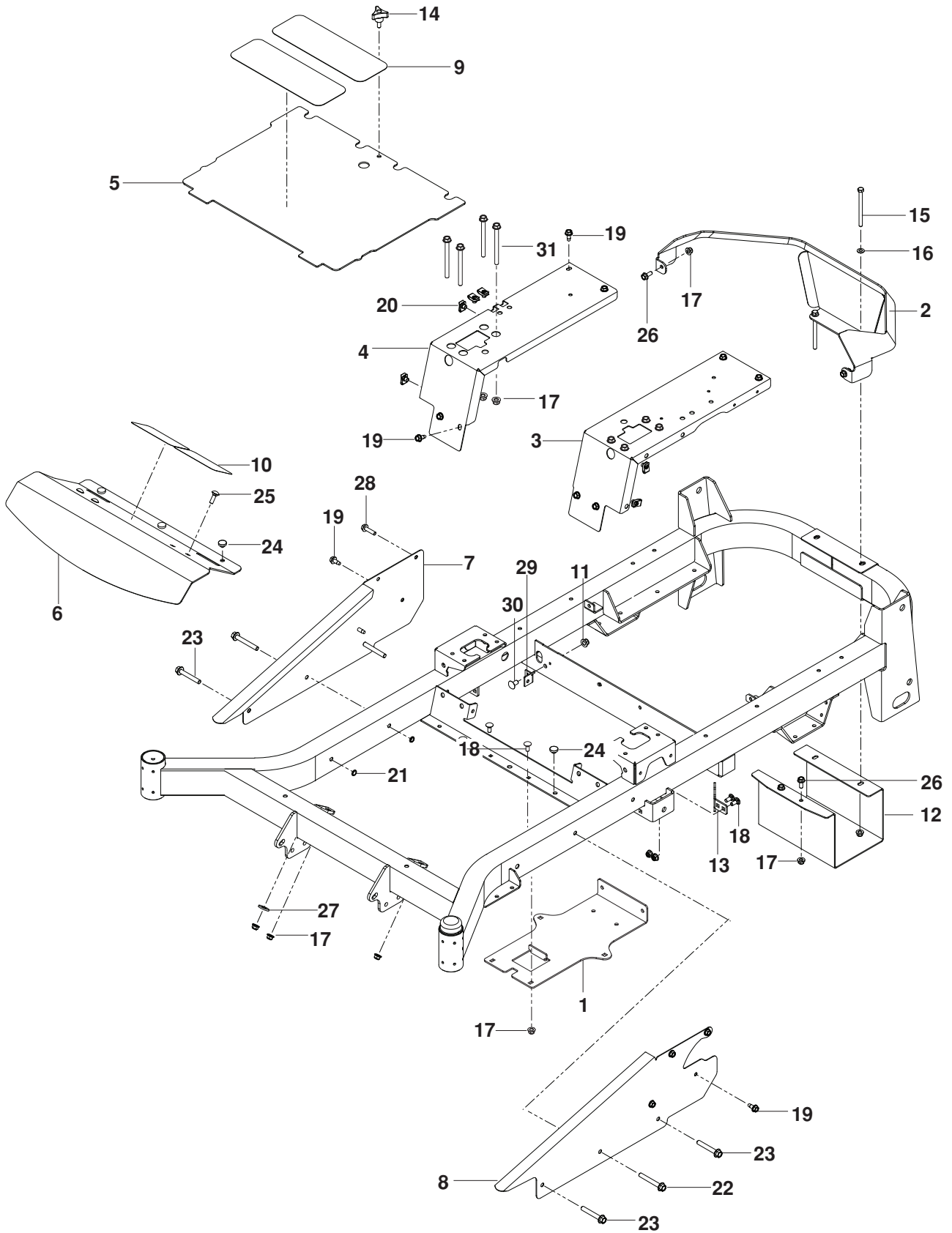
The wheel motors and hydrostatic pumps have a barcode decal affixed at the rear.

CONTENTS

FRAME	4
ENGINE PLATE.....	6
STEERING	8
IGNITION.....	10
ELECTRICAL	12
PARKING BRAKE	14
HYDRAULIC PUMP-MOTOR.....	16
WHEELS	18
MOWER LIFT / DECK LIFT.....	20
MOWER DECK / CUTTING DECK	22
SEAT	24
DECALS	26

NOTE: ALL FASTENERS ARE GRADE 5 UNLESS OTHERWISE SPECIFIED.

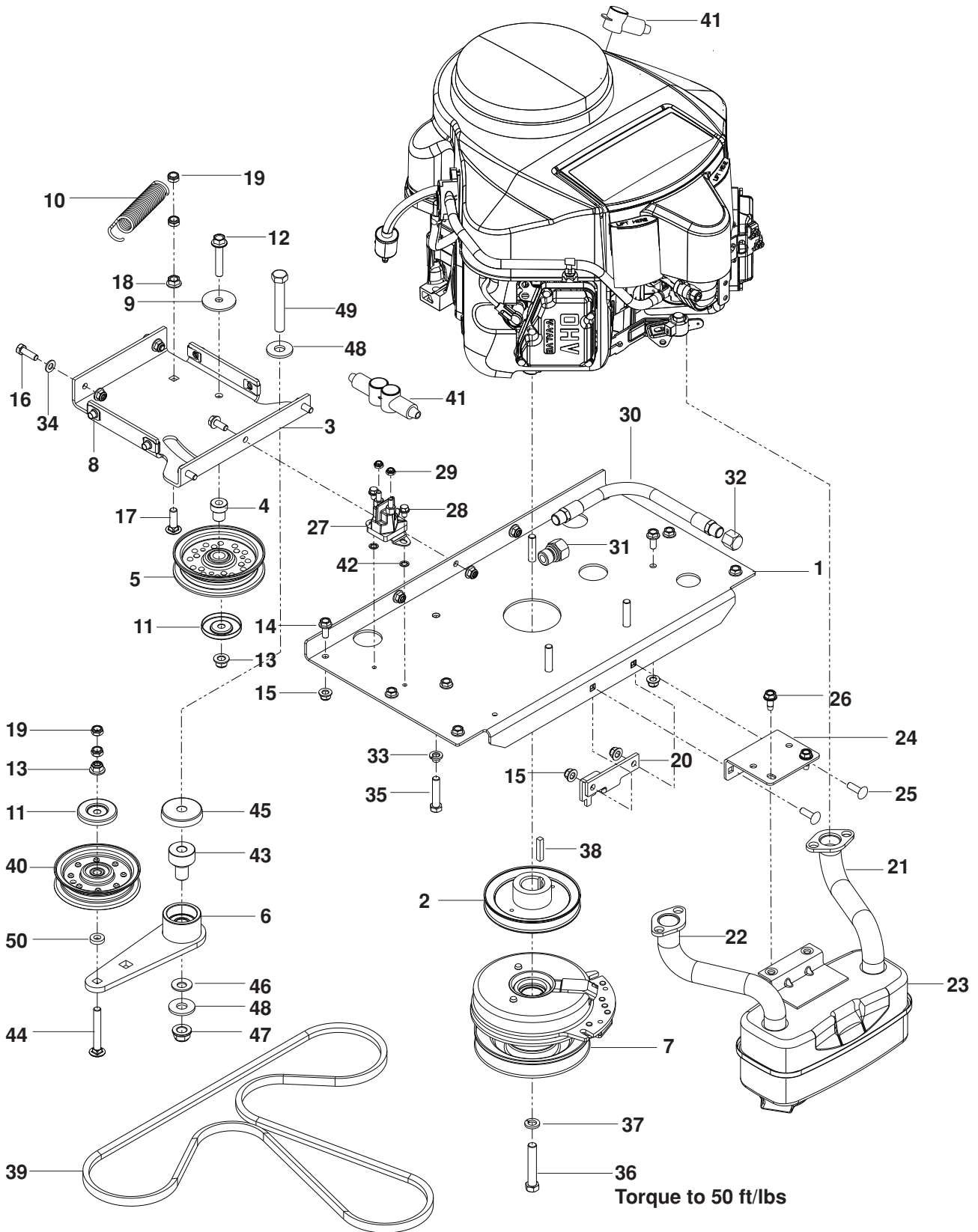
FRAME



FRAME

ITEM	PART NO.	QTY.	DESCRIPTION	ITEM	PART NO.	QTY.	DESCRIPTION
1..	575 017202....	1 PLATE, BATTERY, BLK	17..	539 112899..	15 NUT ⁵ / ₁₆ -18 FLANGE NYLOC
2..	575 348402....	1 GUARD, REAR	18..	539 990316....	6 RHSNB ⁵ / ₁₆ -18 x ³ / ₄
3..	576 694802....	1 PANEL, LT	19..	539 107475..	12 BOLT ⁵ / ₁₆ -18 x ³ / ₄ THD FRM
4..	576 694702....	1 PANEL, RT	20..	539 104763....	8 RETAINER, U TYPE ⁵ / ₁₆ -18
5..	539 132744....	1 PLATE, FLOOR w/ DECALS	21..	539 200282....	6 NUT ³ / ₈ -16 HEX JAM NYLOC
6..	539 132380....	1 PLATE, FOOTREST	22..	539 131781....	2 SCREW, HX FLG ³ / ₈ -16 x 2 ³ / ₄
7..	539 131579....	1 SIDE, RT	23..	539 133006....	4 SCREW, HX FLG ³ / ₈ -16 x 2 ¹ / ₂
8..	539 131577....	1 SIDE, LT	24..	539 102587....	5 GROMMET, BUMPER
9..	539 977778....	2 PAD, ABRASIVE LG	25..	539 990208....	3 RHSNB ⁵ / ₁₆ -18 x 1
10..	539 121322....	2 PAD, ABRASIVE SM	26..	525 464701....	4 HHFS ⁵ / ₁₆ -18 x ³ / ₄
11..	521 996501....	2 NUT ³ / ₈ -16 HEX FLG NYLOC	27..	539 990250....	1 WASHER
12..	575 230402....	1 SHIELD, MUFFLER	28..	525 544001....	1 HHFS ⁵ / ₁₆ -18 x 1 ¹ / ₄ TPBLT
13..	505 256401....	2 STOP, DECK	29..	575 245202....	2 BRACKET, DAMPENER
14..	539 104411....	1 KNOB w/ STUD	30..	539 109117....	2 RHSNB ³ / ₈ -16 x ³ / ₄
15..	539 102335....	3 HCS ⁵ / ₁₆ -18 x 4	31..	539 131780....	8 HHFS ⁵ / ₁₆ -18 x 3 ³ / ₄
16..	539 990188..	10 WASHER ⁵ / ₁₆ SAE FLAT				

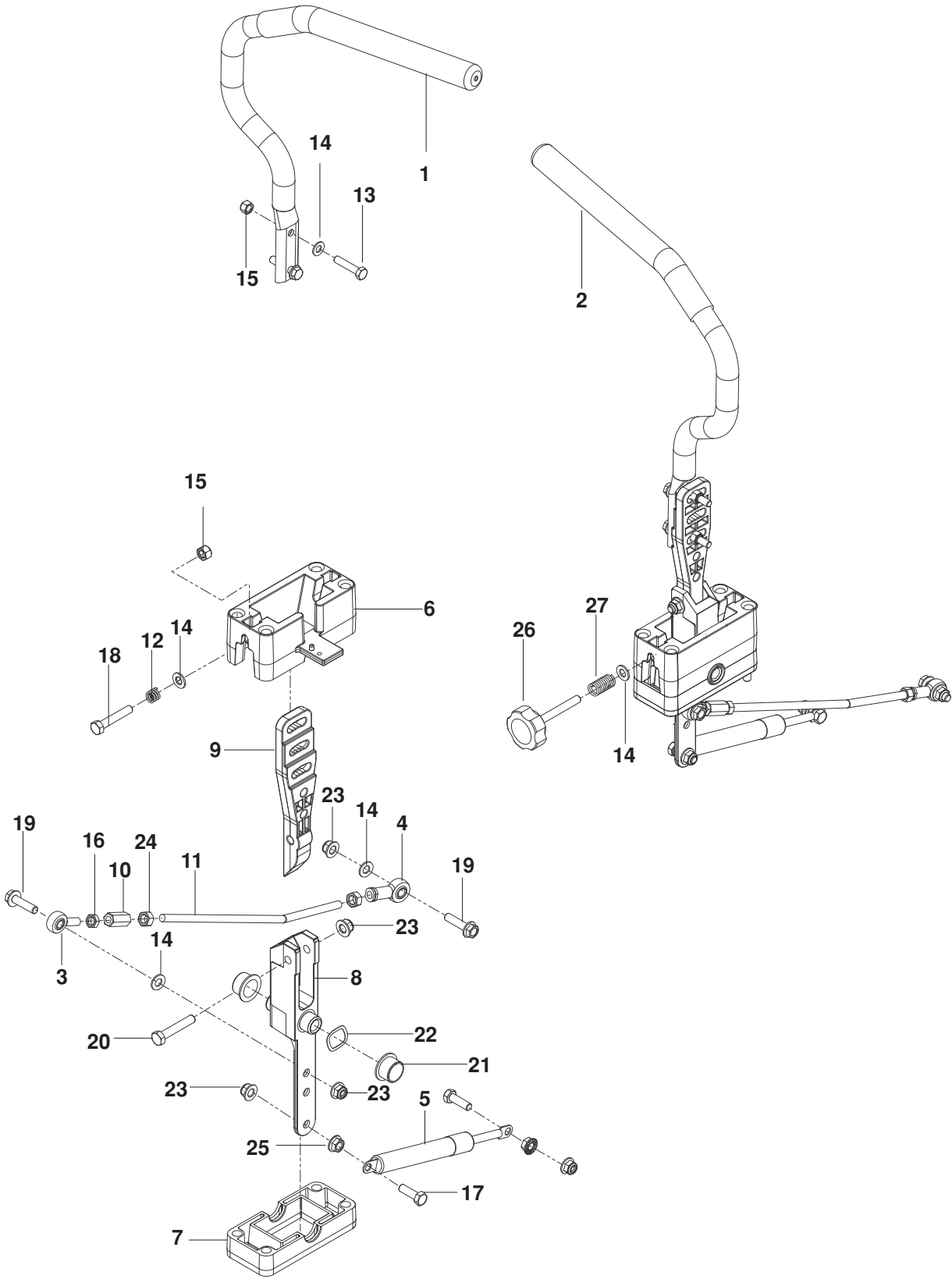
ENGINE PLATE



ENGINE PLATE

ITEM	PART NO.	QTY.	DESCRIPTION	ITEM	PART NO.	QTY.	DESCRIPTION
1..	575 608801....	1 PLATE, ENGINE w/ DECAL	28..	539 990302....	2 SCREW ¼-20 x 8 THD FRM
2..	574 811001....	1 PULLEY, V 1 1/8 BORE	29..	539 108120....	3 NUT ¼-20 HEX THIN NYLOC
3..	574 846402....	1 PLATE, IDLER SUPPORT	30..	539 101362....	1 HOSE, DRAIN
4..	525 435601....	1 PIVOT, IDLER	31..	522 599001....	1 ADAPTER
5..	539 976688....	1 PULLEY, IDLER	32..	539 101364....	1 PLUG, OIL
6..	510 041603....	1 ARM, IDLER w/ BEARINGS	33..	539 990118....	1 WASHER 3/8 SPLT LK
7..	574 607001....	1 CLUTCH, 200 FT-LB	34..	539 990188....	2 WASHER 5/16 SAE FLAT
8..	539 104763....	4 RETAINER, U TYPE 5/16-18	35..	539 976949....	4 HCS 3/8-16 x 1 3/4
9..	539 111897....	1 WASHER, SPECIAL	36..	539 991120....	1 HCS 7/16-20 x 2 1/2
10..	510 254401....	1 SPRING, PUMP	37..	539 990247....	1 WASHER 7/16 SLW
11..	510 254501....	2 SHIELD, DUST	38..	539 912757....	1 KEY ¼ SQ x 1 ¼
12..	525 866201....	1 HHFS 3/8-16 x 2	39..	574 870901....	1 BELT
13..	521 996501....	2 NUT 3/8-16 HEX FLG NYLOC	40..	539 107620....	1 PULLEY, IDLER SECONDARY
14..	525 464701..	11 HHFS 5/16-18 x 3/4	41..	539 102759....	3 INSULATOR
15..	539 112899..	15 NUT 5/16-18 HEX FLG NYLOC	42..	539 990053....	2 WASHER ¼ INT TOOTH LK
16..	539 990209....	2 HCS 5/16-18 x 1	43..	510 206301....	1 PIVOT, BEARING
17..	539 100413....	1 RHSNB 3/8-16 x 1 ¼	44..	539 130235....	1 RHSNB 3/8-16 x 2 3/4
18..	539 990613....	1 NUT 3/8-16 HEX WHIZLK	45..	539 114662....	1 SHIELD, DUST
19..	539 200282....	4 NUT 3/8-16 HEX JAM NYLOC	46..	539 115528....	1 WASHER ½" BELLEVILLE
20..	575 017302....	1 STOP, CLUTCH	47..	521 991101....	1 NUT ½-13 HEX FLG NYLOC
21..	532 424765....	1 EXHAUST TUBE, RT	48..	539 109554....	2 WASHER ½ FLAT ZD
22..	532 424766....	1 EXHAUST TUBE, LT	49..	539 103433....	1 HCS ½-13 x 3 ¼
23..	539 131604....	1 MUFFLER ASM TWIN	50..	539 109562....	1 WASHER 3/8 x 3/4
24..	575 229902....	1 BRKT, MUFFLER, BLK	NOT SHOWN			
25..	539 107271....	2 RHSNB 5/16-18 x 1	539 102757 ...	1 CABLE, POSITIVE	
26..	539 107475....	2 BOLT 5/16-18 x 3/4 THD FRM	539 107516 ...	1 PIGTAIL,	
27..	539 101714....	1 SOLENOID				

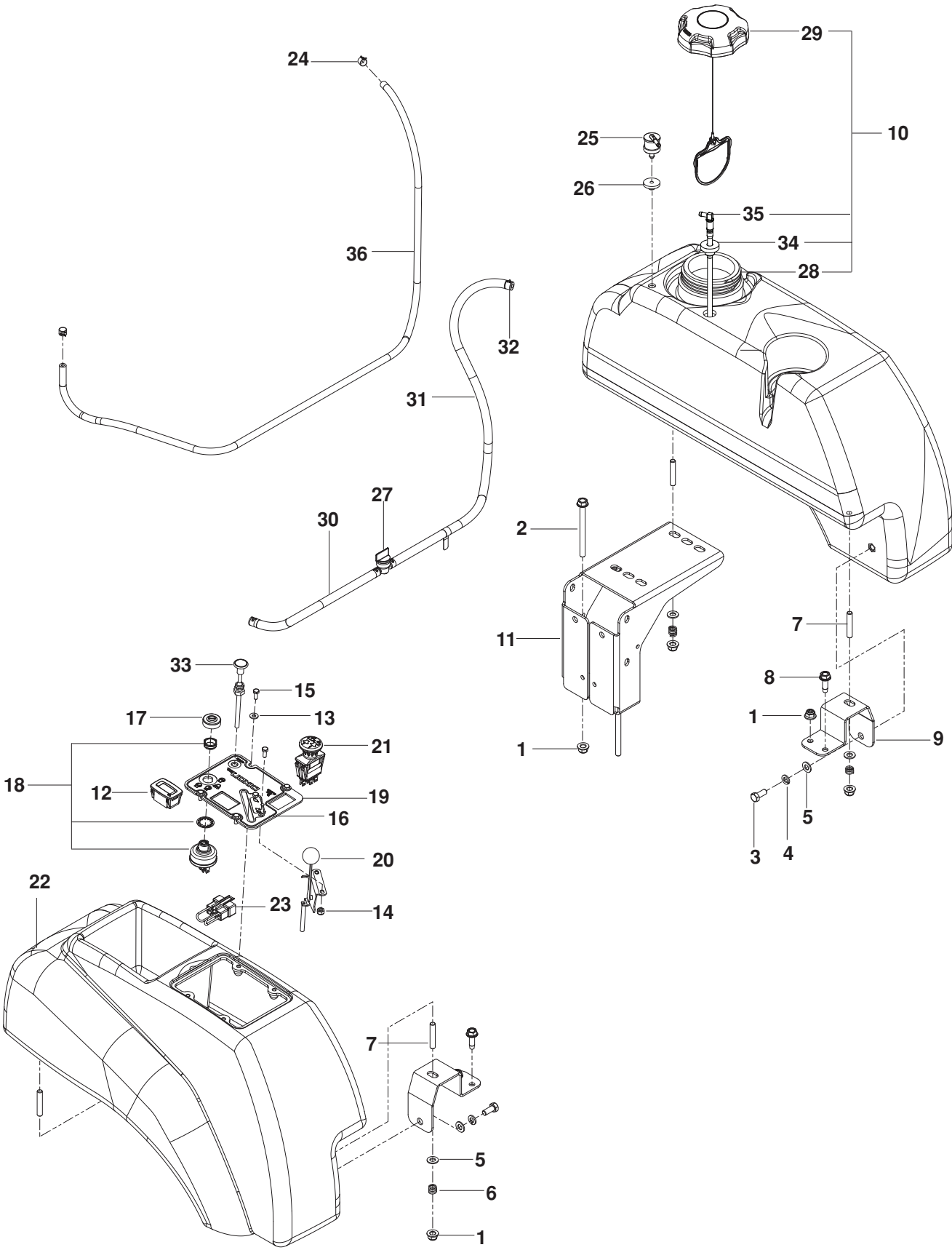
STEERING



STEERING

ITEM	PART NO.	QTY.	DESCRIPTION	ITEM	PART NO.	QTY.	DESCRIPTION
1..	539 132009....	1	LEVER, DRIVE w/ GRIP RT	15..	539 990717....	6	NUT ⁵ / ₁₆ -18 HEX NYLOC
2..	539 132010....	1	LEVER, DRIVE w/ GRIP LT	16..	539 991073....	2	NUT ⁵ / ₁₆ -24 HEX JAM LH
3..	539 116690....	2	ROD END LH	17..	539 990209....	2	BOLT, HEX ⁵ / ₁₆ -18 x 1
4..	539 115729....	2	ROD END RH	18..	539 108394....	1	BOLT ⁵ / ₁₆ -18 x 1 ³ / ₄ TPBLT
5..	539 102720....	2	DAMPENER	19..	525 544001....	4	HHFS ⁵ / ₁₆ -18 x 1 ¹ / ₄ TPBLT
6..	539 131517....	2	BLOCK, UPPER	20..	539 990669....	2	BOLT, HEX ⁵ / ₁₆ -18 x 1 ³ / ₄
7..	539 131519....	2	BLOCK, LOWER	21..	539 131518....	4	BEARING, FLANGE
8..	522 452901....	2	PIVOT SECTION, DR CNTRL	22..	539 133007....	2	WASHER .825, WAVE
9..	539 131521....	2	MOUNT, DR CNTRL HANDLE	23..	539 112899....	8	NUT ⁵ / ₁₆ -18 HEX FLG NYLOC
10..	539 116689....	2	COUPLER, ROD END	24..	539 990223....	4	NUT ⁵ / ₁₆ -24 HEX
11..	574 811401....	2	ROD, MOTION CONTROL	25..	539 990585....	4	NUT ⁵ / ₁₆ -18 HEX WHIZLK
12..	539 102845....	1	SPRING	26..	539 131799....	1	KNOB
13..	539 976935....	4	BOLT, HEX ⁵ / ₁₆ -18 x 1 ¹ / ₂	27..	539 101224....	1	SPRING
14..	539 990188....	8	WASHER ⁵ / ₁₆ SAE FLAT				

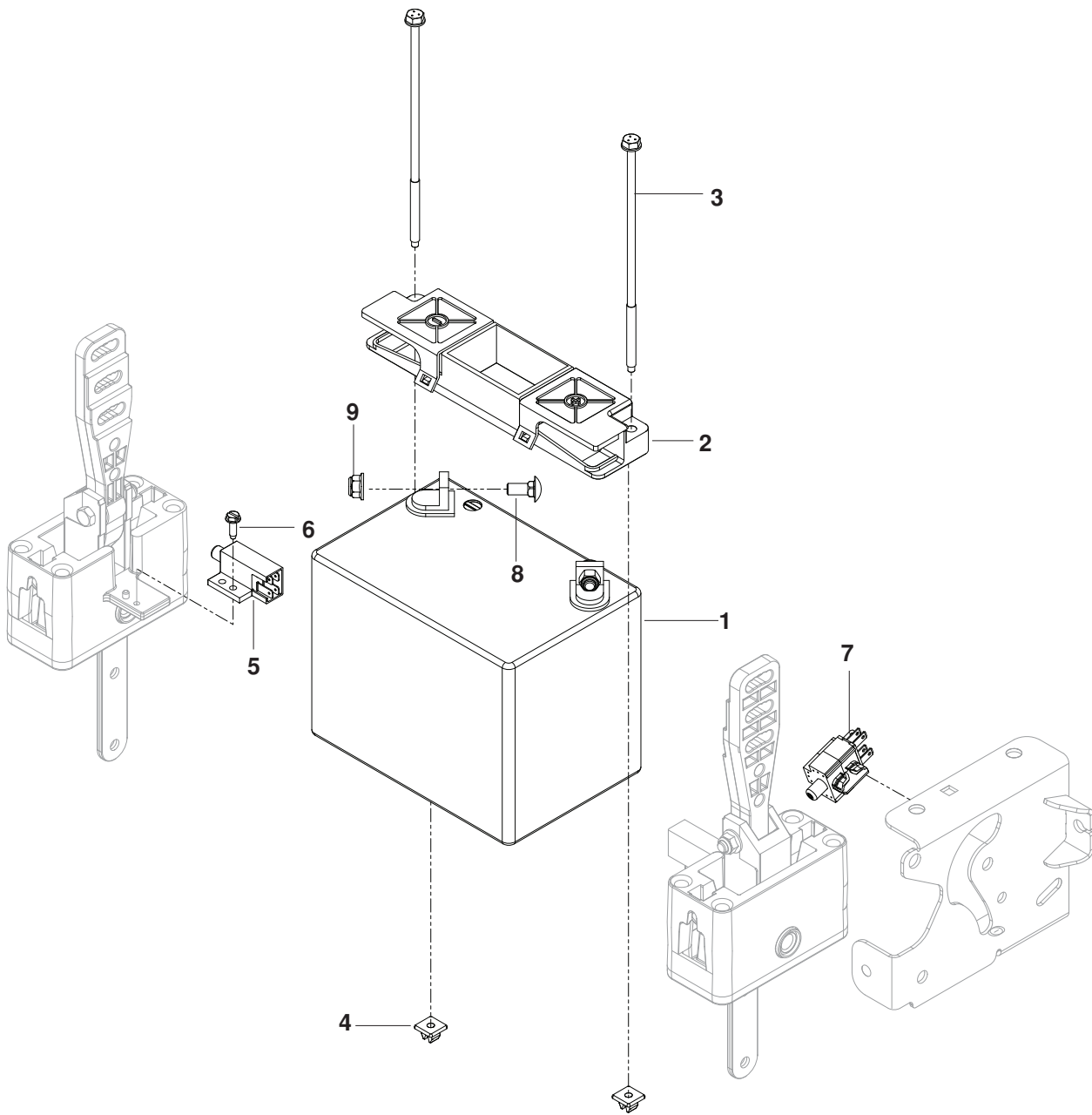
IGNITION



IGNITION

ITEM	PART NO.	QTY.	DESCRIPTION	ITEM	PART NO.	QTY.	DESCRIPTION
1..	539 112899..	11	NUT 5/16-18 HEX FLG NYLOC	20..	539 102732....	1	THROTTLE CABLE
2..	539 131780....	4	HHFS 5/16-18 x 3 3/4	21..	539 131627....	1	SWITCH, PTO 10 AMP
3..	539 976934....	2	HCS 5/16-18 x 3/4	22..	539 107593....	1	CONSOLE, RT
4..	539 990187....	2	WASHER 5/16, SLW	23..	575 321001....	1	PLUG, TIMER
5..	539 990188....	8	WASHER 5/16, SAE	24..	575 436501....	2	CLAMP, HOSE
6..	539 102845....	6	SPRING, TANK MOUNT	25..	576 618101....	1	VALVE, FUEL CHECK
7..	539 102502....	6	STUD 5/16-18	26..	576 618201....	1	GROMMET, CHECK VALVE
8..	539 113226....	3	BOLT 5/16-18 x 1, TRD FORM	27..	539 916325....	1	FUEL VALVE
9..	539 131671....	2	SUPPORT, TANK, BLK	28..	576 370101....	1	TANK, LT, FUEL
10..	576 370102....	1	TANK, LT, ASSEMBLY	29..	575 018101....	1	FUEL CAP w/ TETHER
11..	575 533602....	2	MOUNT, TANK, BLK	30..	539 107765....	1	HOSE, FUEL
12..	576 179401....	1	HOUR METER	31..	539 932956....	1	FUEL LINE, 10"
13..	539 105408....	4	WASHER #10	32..	539 912222....	4	HOSE CLAMP
14..	539 976977....	2	NUT #10-24, NYLOC	33..	539 113458....	1	CHOKE CONTROL
15..	539 990411....	6	SCREW #10-24 x 1/2, SLT	34..	539 105245....	1	GROMMET, RUBBER
16..	574 841103....	1	DECAL, CONTROL	35..	576 469201....	1	FITTING, FUEL
17..	539 103178....	1	CAP, IGNITION SWITCH NUT	36..	576 660602....	1	HOSE, FUEL
18..	574 455401....	1	SWITCH, IGNITION				NOT SHOWN
19..	574 841204....	1	PLATE, CONSOLE, BLK		539 976856	5	WIRE TIE

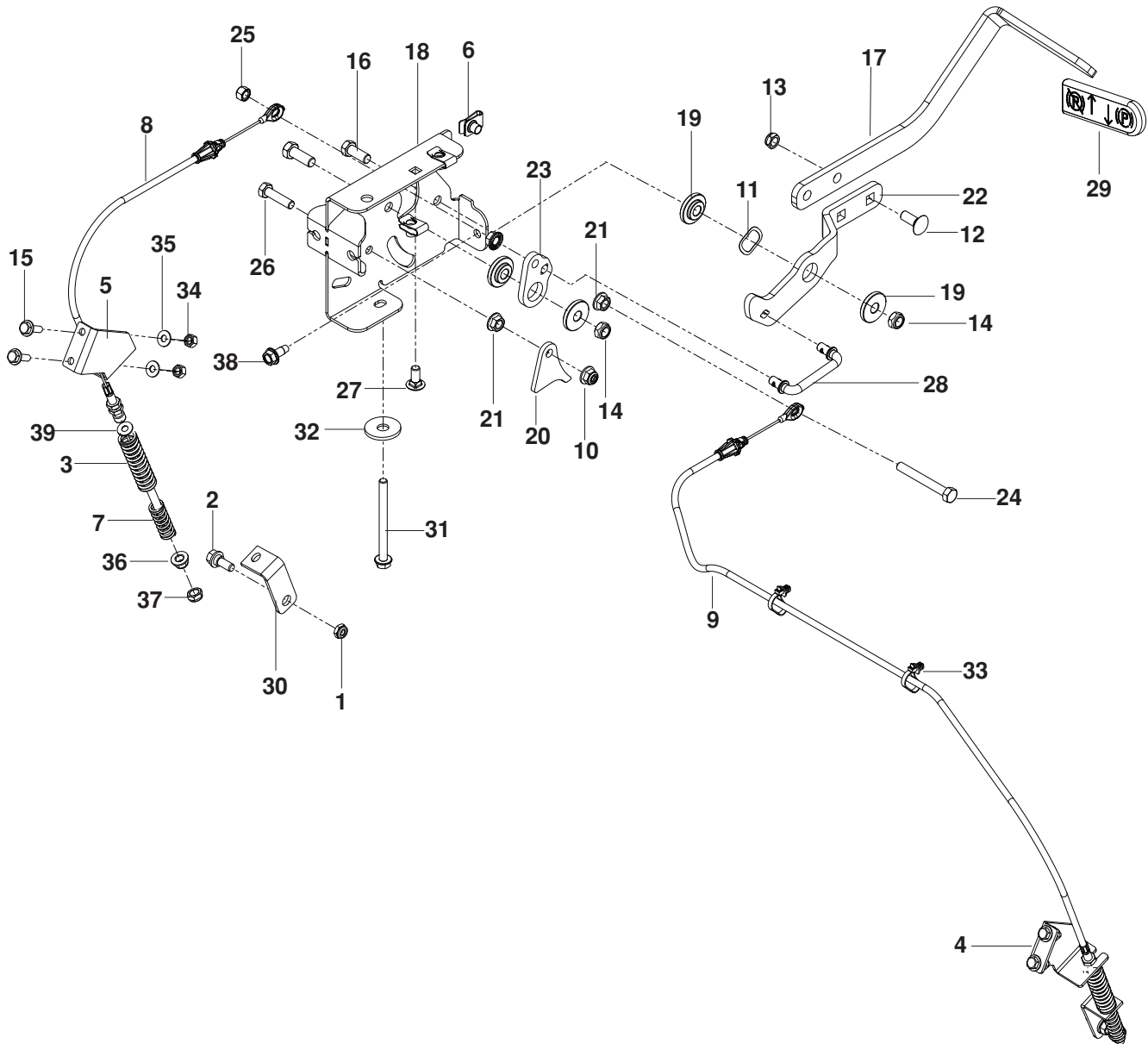
ELECTRICAL



ELECTRICAL

ITEM	PART NO.	QTY.	DESCRIPTION	ITEM	PART NO.	QTY.	DESCRIPTION
1..	539 102436....	1	BATTERY	8..	539 990316....	2	BOLT, $\frac{5}{16}$ -18 x $\frac{3}{4}$
2..	539 107628....	1	BATTERY HOLD DOWN	9..	539 112899....	2	NUT $\frac{5}{16}$ -18 FLANGE NYLOC
3..	539 107632....	2	BOLT, $\frac{1}{4}$ x $7\frac{1}{2}$		NOT SHOWN		
4..	539 107629....	2	NUT $\frac{1}{4}$ PUSH, NYLON		539 104974 ...	1	POSITIVE CABLE
5..	539 101080....	2	SWITCH, INTERLOCK		539 107645 ...	1	NEGATIVE CABLE
6..	539 991034....	2	SCREW #10-24 x $\frac{5}{8}$ WSH HD		575 320901 ...	1	MAIN HARNESS
7..	539 113792....	1	SWITCH, BRAKE		539 976856 ...	3	WIRE TIE

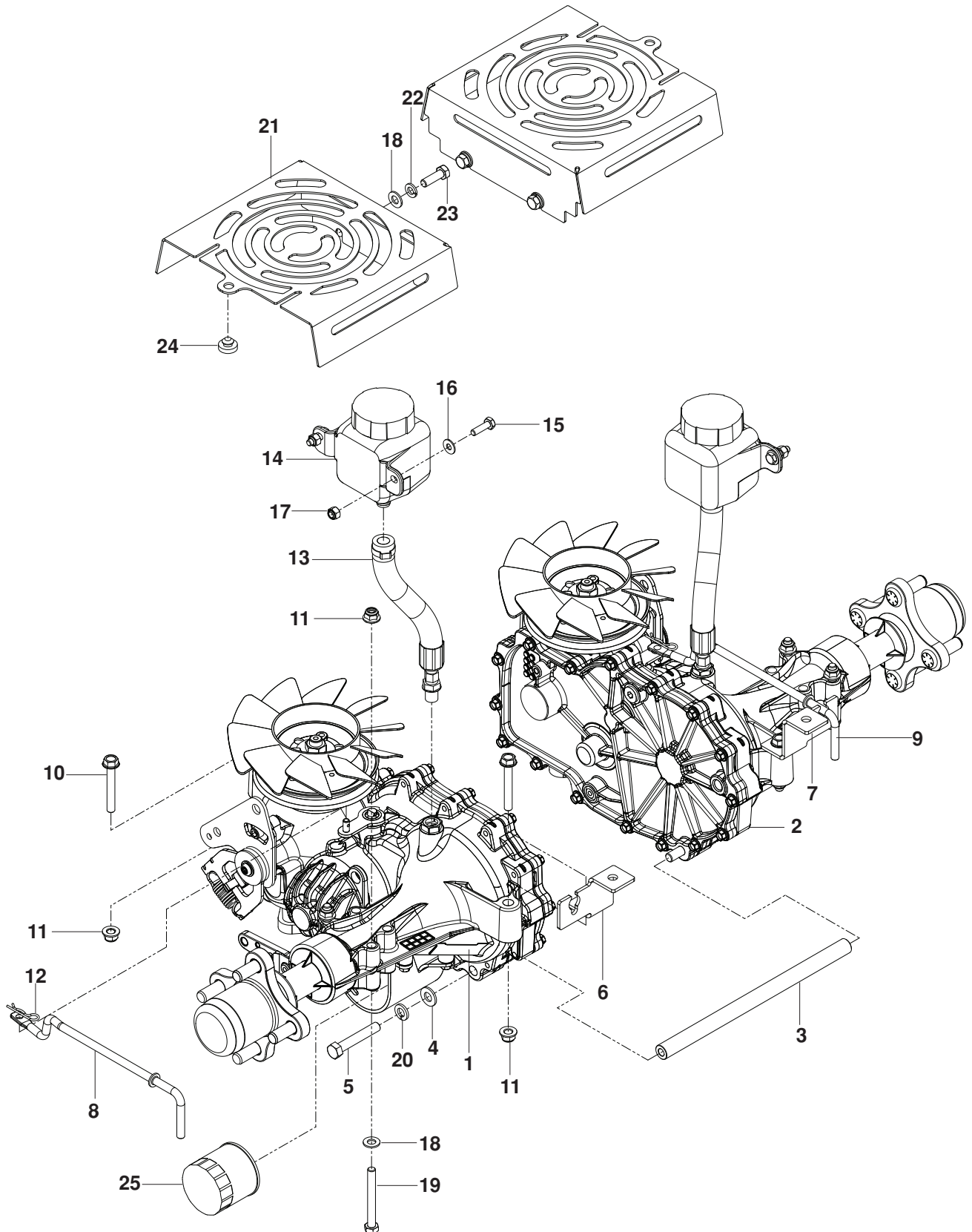
PARKING BRAKE



PARKING BRAKE

ITEM	PART NO.	QTY.	DESCRIPTION	ITEM	PART NO.	QTY.	DESCRIPTION
1..	539 115617....2	NUT $\frac{5}{16}$ HEX NYLOC	21..	539 990585....3	NUT $\frac{5}{16}$ -18 HEX WHIZLK
2..	539 110303....2	BOLT $\frac{5}{16}$ SHOLDER	22..	539 132423....1	LEVER, BRAKE
3..	575 230201....2	SPRING, RETURN	23..	539 132153....1	BELLCRANK, BRAKE
4..	575 229602....1	BRACKET, RT	24..	539 108396....1	BOLT, HEX $\frac{5}{16}$ -18 x $2\frac{1}{2}$ TPBLT
5..	575 229702....1	BRACKET, LT	25..	539 990717....1	NUT $\frac{5}{16}$ -18 HEX NYLOC
6..	539 104763....3	RETAINER, U TYPE $\frac{5}{16}$ -18	26..	539 990209....1	BOLT, HEX $\frac{5}{16}$ -18 x 1
7..	575 230301....2	SPRING, ENGAGEMENT	27..	539 990316....1	RHSNB $\frac{5}{16}$ -18 x $\frac{3}{4}$
8..	539 132173....1	CABLE, BRAKE, SHORT	28..	539 132424....1	LINKAGE, BRAKE
9..	539 132174....2	CABLE, BRAKE, LONG	29..	539 105036....1	GRIP, BRAKE HANDLE
10..	539 112899....2	NUT $\frac{5}{16}$ -18 FLANGE NYLOC	30..	575 229802....2	BRACKET, BRAKE
11..	539 133007....2	WASHER .825 WAVE	31..	539 131780....1	HHFS $\frac{5}{16}$ -18 x $3\frac{3}{4}$
12..	539 990645....2	RHSNB $\frac{3}{8}$ -16 x 1	32..	539 109554....1	WASHER $\frac{1}{2}$ FLAT
13..	521 996501....2	NUT $\frac{3}{8}$ -16 HEX FLG NYLOC	33..	505 280001....2	TIE, w/ CLIP
14..	539 200282....2	NUT $\frac{3}{8}$ -16 HEX JAM NYLOC	34..	539 976978....4	NUT $\frac{1}{4}$ -20 HEX NYLOC
15..	539 990643....4	HCS $\frac{1}{4}$ -20 x $\frac{7}{8}$	35..	539 990055....4	WASHER $\frac{1}{4}$ FLAT SAE
16..	539 990563....2	BOLT, HEX $\frac{3}{8}$ -16 x 1	36..	539 990585....2	NUT $\frac{5}{16}$ -18, WHIZLK
17..	539 132151....1	ARM, BRAKE	37..	539 107897....2	NUT $\frac{5}{16}$ -18, JAM
18..	539 132158....1	MOUNT, BRAKE	38..	539 107475....1	BOLT $\frac{5}{16}$ -18 x $\frac{3}{4}$, THD FORM
19..	539 132161....4	BUSHING, BRAKE	39..	539 990122....2	WASHER $\frac{3}{8}$ SAE
20..	539 132154....1	ACTUATOR, SWITCH				

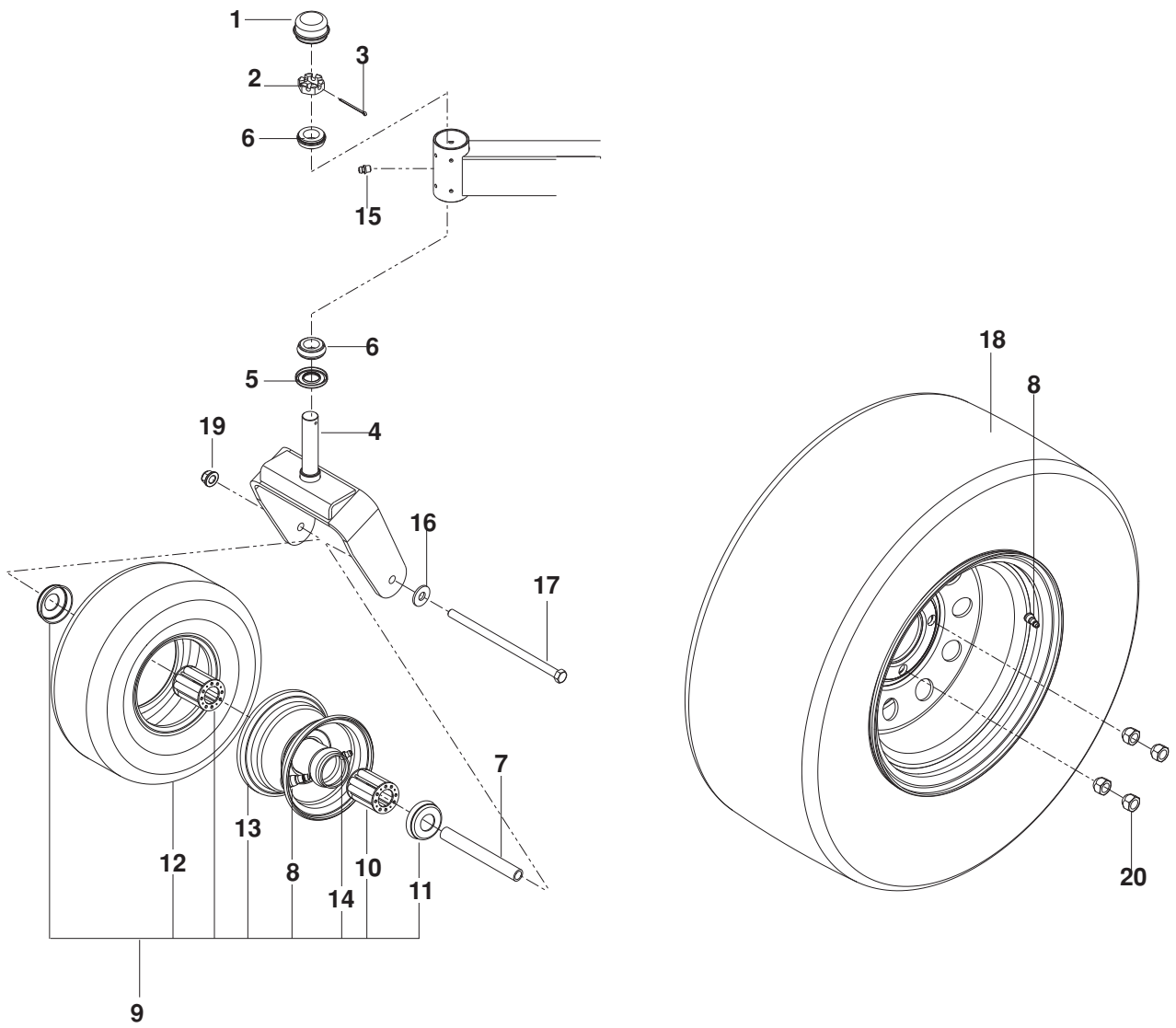
HYDRAULIC PUMP-MOTOR



HYDRAULIC PUMP-MOTOR

ITEM	PART NO.	QTY.	DESCRIPTION	ITEM	PART NO.	QTY.	DESCRIPTION
1..	574 569101....	1 TRANS, ZT-3400, LT	14..	574 811301....	2 TANK, EXPANSION
2..	574 569102....	1 TRANS, ZT-3400, RT	15..	539 990643....	4 HCS ¼-20 x 7/8
3..	574 868501....	1 TUBE, SPACER, 3400	16..	539 990055....	4 WASHER ¼ FLAT SAE
4..	539 990122....	2 WASHER, 3/8 SAE FLT	17..	539 976978....	4 NUT ¼-20 HEX NYLOC
5..	539 108551....	2 HCS 3/8-16 x 2½ GR8	18..	539 990188....	8 WASHER 5/16 SAE FLAT
6..	575 017102....	1 BRACKET, TRANS, LT	19..	539 101721....	4 HCS 5/16-18 x 2¾
7..	575 017002....	1 BRACKET, TRANS, RT	20..	539 990118....	2 WASHER 3/8 SPLT LK
8..	539 131616....	1 LINKAGE, LEFT BYPASS	21..	575 778202....	2 COVER, FAN
9..	539 131618....	1 LINKAGE, RIGHT BYPASS	22..	539 990187....	4 WASHER 5/16 SLW
10..	574 233801....	4 HHFS 5/16-18 x 2¼	23..	539 990209....	4 HCS 5/16-18 x 1
11..	539 112899....	8 NUT 5/16-18 HEX FLG NYLOC	24..	539 102587....	2 BUMPER
12..	539 976988....	2 HAIRPIN COTTER	25..	539 113466....	2 FILTER, HYDRO
13..	574 892101....	2 HOSE, EXPANSION				

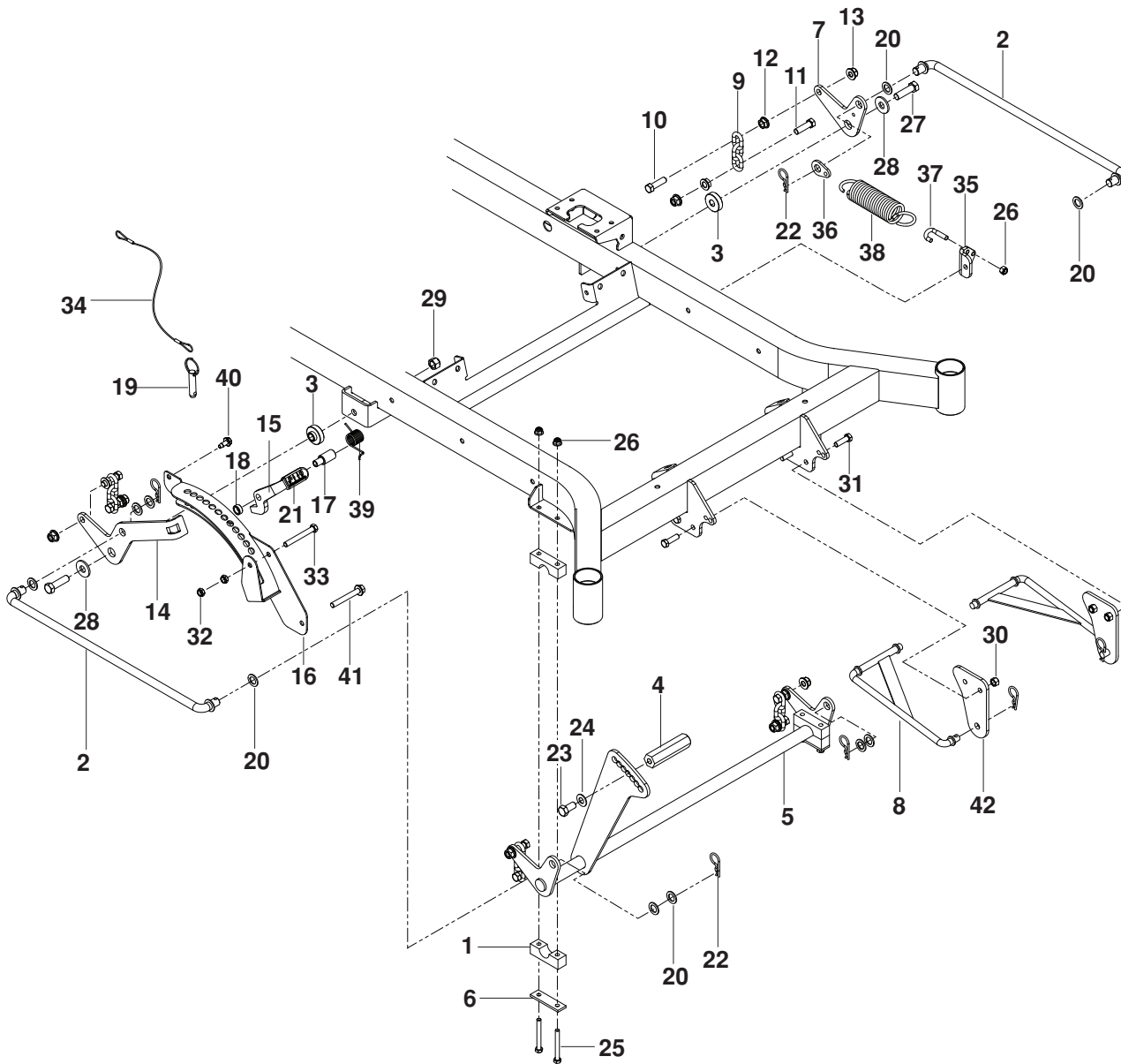
WHEELS



WHEELS

ITEM	PART NO.	QTY.	DESCRIPTION	ITEM	PART NO.	QTY.	DESCRIPTION
1..	539 102535....2	CAP, GREASE	11..	539 102484....4	BEARING, FLANGED
2..	539 102852....2	SLOTTED JAM NUT 1"-14	12..	539 102546....2	TIRE, 13 x 5-6
3..	539 102889....2	COTTER PIN 1/8 x 2	13..	539 104573....2	RIM, CASTER TIRE
4..	539 104571....2	YOKE, CASTER, ORG	14..	539 976977....2	ZERK
5..	539 102851....2	SEAL	15..	539 101474....2	ZERK
6..	539 102543....4	BEARING	16..	539 109554....2	WASHER 1/2 FLAT
7..	539 102856....2	SPACER, PIVOT	17..	539 102855....2	HCS 1/2-13 x 7 1/2
8..	539 912234....2	AIR VALVE	18..	516 056501....2	WHEEL ASSY, 22 x 9.5-12
9..	539 104572....2	WHEEL ASSY 13 x 6.5	19..	521 991101 ...2	NUT 1/2-13 HEX FLG NYLOC
10..	539 102485....4	BEARING 2 1/2 CAGE	20..	539 101173....8	NUT 1/2-20 LUG

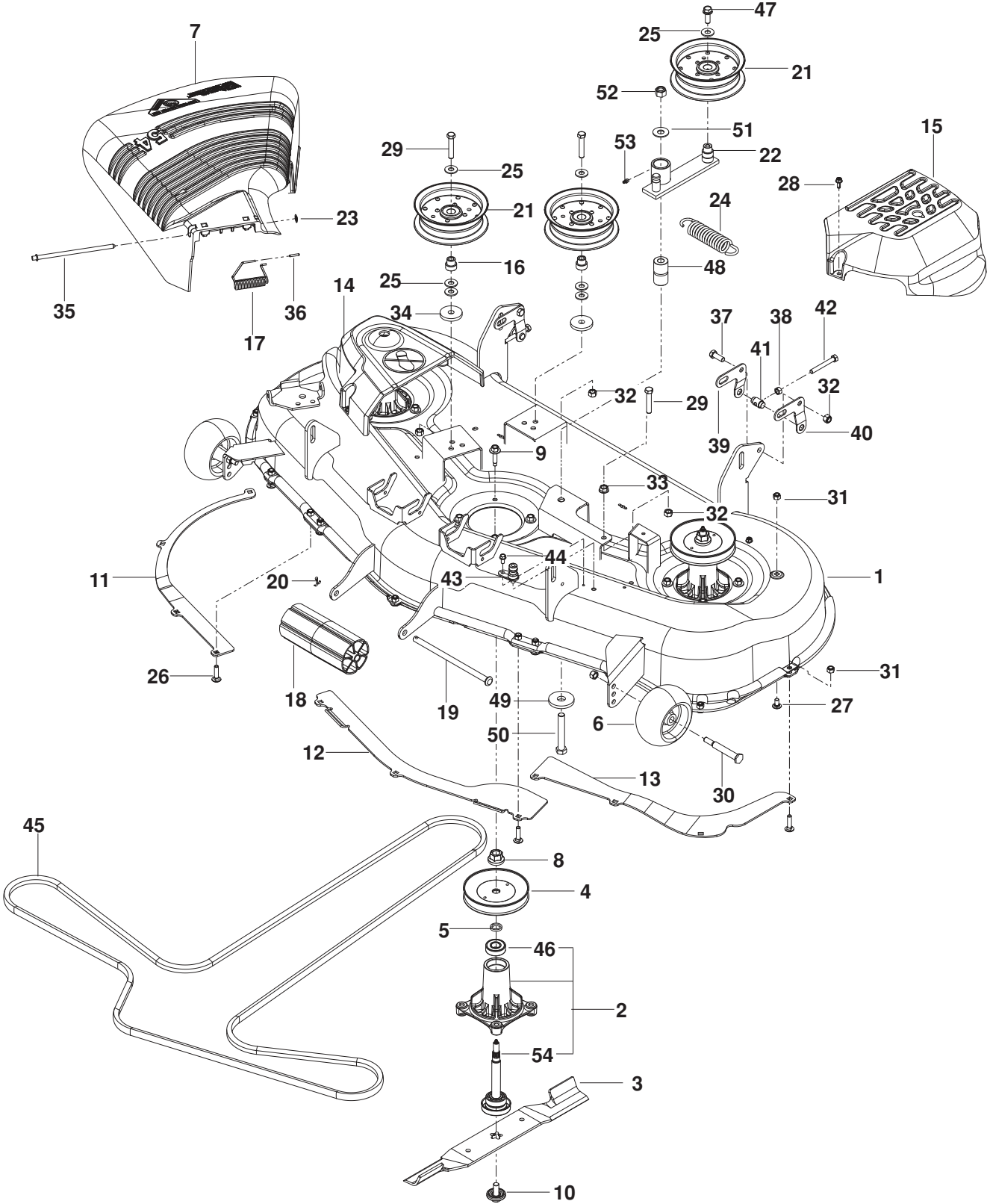
MOWER LIFT / DECK LIFT



MOWER LIFT / DECK LIFT

ITEM	PART NO.	QTY.	DESCRIPTION	ITEM	PART NO.	QTY.	DESCRIPTION
1..	539 104808....4	PILLOW BLOCK	22..	539 115501....6	PIN, COTTER 1 $\frac{3}{4}$
2..	539 110808....2	DECK LIFT LINK	23..	539 990646....1	BOLT, HEX $\frac{1}{2}$ -13 x 1 $\frac{3}{4}$
3..	539 118937....2	SPACER, IDLER	24..	539 102843....1	WASHER $\frac{7}{16}$ " SPRING
4..	539 131556....1	PEDAL, FOOT, HEX	25..	539 101721....4	BOLT, HEX $\frac{5}{16}$ -18 x 2 $\frac{3}{4}$
5..	539 131509....1	SHAFT, FRONT-LIFT	26..	539 112899....5	NUT $\frac{5}{16}$ -18 FLANGE NYLOC
6..	539 104807....2	REINFORCEMENT BAR	27..	539 108181....2	BOLT, HEX $\frac{1}{2}$ -13 x 1 $\frac{3}{4}$ GR 8
7..	539 131897....1	BELLCRANK, RR, LIFT	28..	539 109554....2	WASHER $\frac{1}{2}$ FLAT
8..	539 112223....2	STRUT LINKAGE	29..	539 101331....2	NUT $\frac{1}{2}$ HEX NYLOC
9..	539 109693....4	LIFT CHAIN-3 LINK	30..	539 976979....4	NUT $\frac{3}{8}$ -16 HEX NYLOC
10..	539 101175....4	BOLT, HEX $\frac{7}{16}$ -14 x 1 $\frac{1}{2}$	31..	539 976941....4	BOLT, HEX $\frac{5}{16}$ -18 x 1 THD FM
11..	539 108073....4	BOLT, HEX $\frac{7}{16}$ -14 x 1 $\frac{3}{4}$	32..	539 200282....2	NUT $\frac{3}{8}$ -16 HEX JAM NYLOC
12..	539 102582....8	NUT $\frac{7}{16}$ -14 HEX WHIZ LK	33..	539 101341....1	BOLT, HEX $\frac{3}{8}$ -16 x 3
13..	539 132019....8	NUT $\frac{7}{16}$ -14 HEX WHIZ LK	34..	539 105059....1	LANYARD
14..	539 131853....1	BELLCRANK, RR, RT	35..	539 131791....1	MOUNT, SPRING
15..	539 131566....1	LATCH, TRANSPORT	36..	539 131792....1	TAB, SPRING
16..	539 131850....1	HEIGHT, ADJUST, DECK	37..	539 112896....1	J-BOLT
17..	539 131860....1	PIVOT, LATCH, TRANSPORT	38..	539 102642....1	SPRING
18..	539 131861....1	SPACER	39..	539 132734....1	SPRING, TORSION
19..	539 132182....1	PIN $\frac{1}{2}$ x 1 $\frac{1}{2}$ DETENT RING	40..	539 107475....1	BOLT $\frac{5}{16}$ -18 x $\frac{3}{4}$ THD FRM
20..	539 991043..10	BUSHING .625	41..	539 131781....1	SCREW, HX FLG $\frac{3}{8}$ -16 x 2 $\frac{3}{4}$
21..	539 132851....1	GRIP	42..	539 132017....2	MOUNT, STRUT

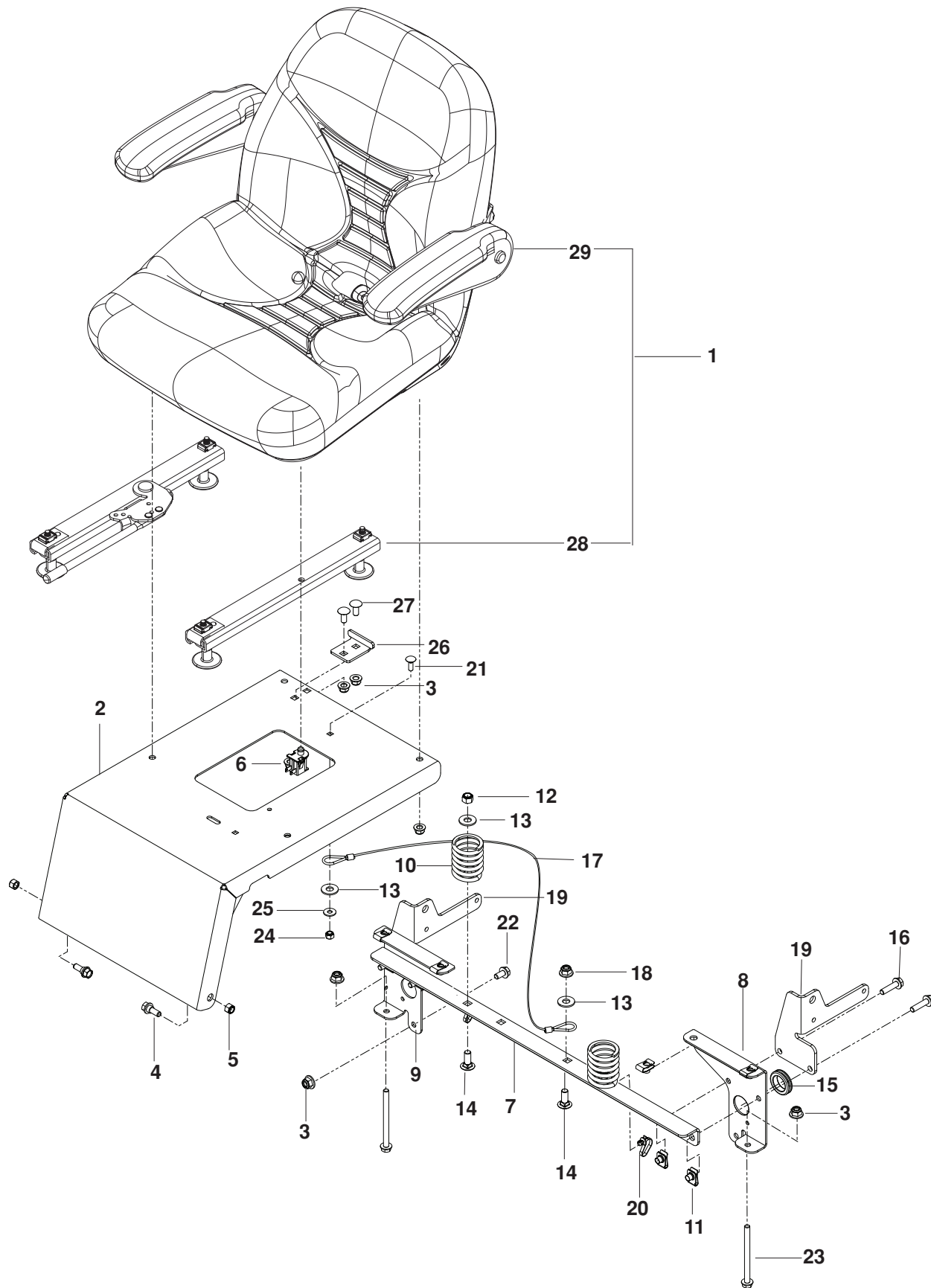
MOWER DECK / CUTTING DECK



MOWER DECK / CUTTING DECK

ITEM	PART NO.	QTY.	DESCRIPTION	ITEM	PART NO.	QTY.	DESCRIPTION
1..	577 200203....	1 DECK w/ SFTY DECALS ORG	28..	539 107631....	4 SCREW ¼ -20 x 5/16 THDROLL
2..	539 112057....	3 MANDREL ASSY	29..	539 990588....	3 HCS 3/8-16 x 2
3..	532 187256....	3 BLADE, 54"	30..	539 107608....	2 BOLT, SHOULDER
4..	539 112171....	3 PULLEY	31..	539 990717..	12 NUT 5/16-18 HEX NYLOC
5..	539 107520....	3 WASHER, SPACER	32..	539 976979....	7 NUT 3/8-16 HEX NYLOC
6..	539 107610....	2 WHEEL	33..	539 990613....	1 NUT 3/8-16 HEX WHIZLK
7..	539 112054....	1 DEFLECTOR	34..	539 106504....	2 WASHER, HEAVY
8..	539 107590....	3 NUT 9/16 TOP CENTER LOCK	35..	539 110462....	1 ROD, HINGE
9..	539 107630..	12 SCREW, WASHER HEAD	36..	539 107627....	1 CAP, SLEEVE
10..	532 193003....	3 BOLT, WASHER ASSY	37..	539 990563....	2 HCS 3/8-16 x 1
11..	539 112059....	1 BAFFLE, RT	38..	539 990196....	2 NUT 5/16-18 HEX
12..	539 112062....	1 BAFFLE, CNTR	39..	539 131857....	2 PITCH, ADJUST, RT
13..	539 112060....	1 BAFFLE, LT	40..	539 131858....	2 PITCH, ADJUST, LT
14..	532 188187....	1 COVER, MANDREL RT	41..	539 131859....	2 TRUNION, PITCH
15..	532 187297....	1 COVER, MANDREL LT	42..	539 108396....	2 HCS 5/16-18 x 2½ TPBLT
16..	539 112076....	2 BUSHING, IDLER	43..	532 415598....	1 PORT, WASHOUT
17..	539 107609....	1 SPRING, TORSION	44..	539 108461....	1 BOLT ¼-20 x ½ HWST
18..	532 176066....	1 ROLLER, NOSE	45..	577 503601....	1 BELT
19..	539 107613....	1 ROD, ROLLER	46..	539 112050....	1 BEARING, BALL
20..	539 990365....	1 PIN, COTTER 1/8 x 3/4	47..	539 990582....	1 HCS 3/8-16 x 1 WHIZLK
21..	539 132728....	3 PULLEY, IDLER	48..	539 103427....	1 BUSHING, PIVOT
22..	539 112198....	1 ARM, IDLER	49..	539 102243....	1 WASHER, SUPPORT
23..	539 107626....	1 PUSHNUT	50..	539 103433....	1 HCS ½-13 x 3¼
24..	539 103256....	1 SPRING	51..	539 990550....	1 WASHER ½ STD FLT
25..	539 990517....	7 WASHER 3/8 FLAT STD	52..	539 101331....	1 NUT ½ HEX NYLOC
26..	539 100472....	7 RHSNB 5/16-18 x 1¼	53..	539 976998....	1 ZERK
27..	539 990799....	5 RHSNB 5/16-18 x 5/8	54..	539 112056....	1 SHAFT, MANDREL

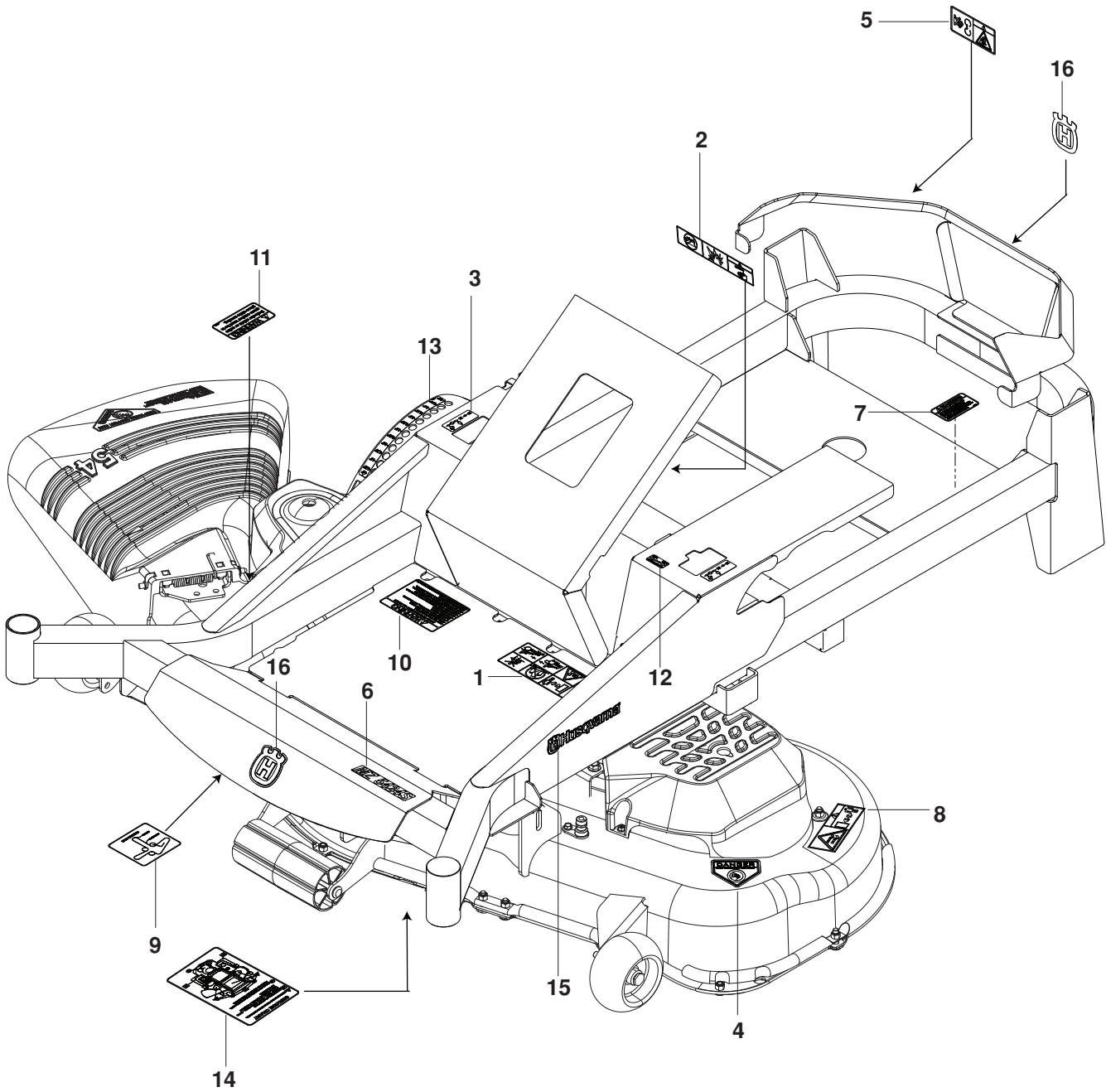
SEAT



SEAT

ITEM	PART NO.	QTY.	DESCRIPTION	ITEM	PART NO.	QTY.	DESCRIPTION
1..	539 130873....	1 SEAT ASSY	16..	525 544001....	4 HHFS $\frac{5}{16}$ -18 x $1\frac{1}{4}$ TPBLT
2..	575 608601....	1 MOUNT, SEAT w/ DECAL	17..	539 103247....	1 LANYARD, SEAT
3..	539 112899..	10 NUT $\frac{5}{16}$ -18 FLANGE NYLOC	18..	521 996501....	1 NUT $\frac{3}{8}$ -16 FLG HEX NYLOC
4..	539 130896....	2 BOLT $\frac{5}{16}$ -18 HEX HD	19..	575 017402....	2 MOUNT, SEAT BELT
5..	539 990717....	2 NUT $\frac{5}{16}$ -18 HEX NYLOC	20..	505 280001....	2 TIE WRAP w/ CLIP
6..	539 119741....	1 SWITCH, SEAT	21..	539 990074....	1 RHSNB $\frac{1}{4}$ -40 x $\frac{3}{4}$
7..	539 131656....	1 SUPPORT, SEAT	22..	525 464701....	2 HHFS $\frac{5}{16}$ -18 x $\frac{3}{4}$
8..	575 224102....	1 SUPPORT, LT	23..	539 131780....	2 SCREW, HX FLG $\frac{5}{16}$ -18 x $3\frac{3}{4}$
9..	575 224002....	1 SUPPORT, RT	24..	539 976978....	1 NUT $\frac{1}{4}$ -20 HEX NYLOC
10..	539 110300....	2 SPRING, SEAT	25..	539 990598....	1 WASHER $\frac{1}{4}$ FLAT
11..	539 104763....	8 RETAINER, U TYPE $\frac{5}{16}$ -18	26..	539 130793....	1 DECK STOP
12..	539 976979....	2 NUT $\frac{3}{8}$ -16 HEX NYLOC	27..	539 109100....	2 RHSNB $\frac{5}{16}$ -18 x $\frac{3}{4}$
13..	539 990517....	4 WASHER $\frac{3}{8}$ FLAT STD	28..	539 112037....	1 RAIL SET, SEAT
14..	539 990645....	3 RHSNB $\frac{3}{8}$ -16 x 1	29..	539 112036....	1 ARM REST, LT
15..	539 105974....	1 GROMMET RUBBER		539 112035....	1 ARM REST, RT

DECALS



DECALS

ITEM	PART NO.	QTY.	DESCRIPTION	ITEM	PART NO.	QTY.	DESCRIPTION
1..	539 107959	...1	...DECAL, WARNING	9..	539 112620	...1	...DECAL, BELT ROUTING
2..	539 105745	...1	...DECAL, BATTERY WARNING	10..	539 113213	...1	...DECAL, WARNING
3..	539 103333	...2	...DECAL, MOTION CONTROL	11..	539 113224	...1	...DECAL, WARNING
4..	539 913010	...1	...DECAL, BLADE WARNING	12..	539 110974	...2	...DECAL, F.S.T
5..	539 105744	...1	...DECAL, DANGER BLT DRIVE	13..	539 132039	...1	...DECAL, HEIGHT ADJUST
6..	521 988005	...1	...DECAL, MZ5424S	14..	539 132187	...1	...DECAL, SERVICE
7..	539 101881	...1	...DECAL, EXHAUST WARN	15..	532 429196	...2	...DECAL, HUSQVARNA
8..	539 105746	...1	...DECAL, SEVERING	16..	532 428676	...2	...DECAL, CROWN H

 **Husqvarna**