

Illustrated Parts List

 **Husqvarna**

## **ROTARY LAWN MOWER**

149cc Kohler Engine

21" Multi-Cut

Model No.

**917.384510**

Product No.

**6021P**



### **CAUTION:**

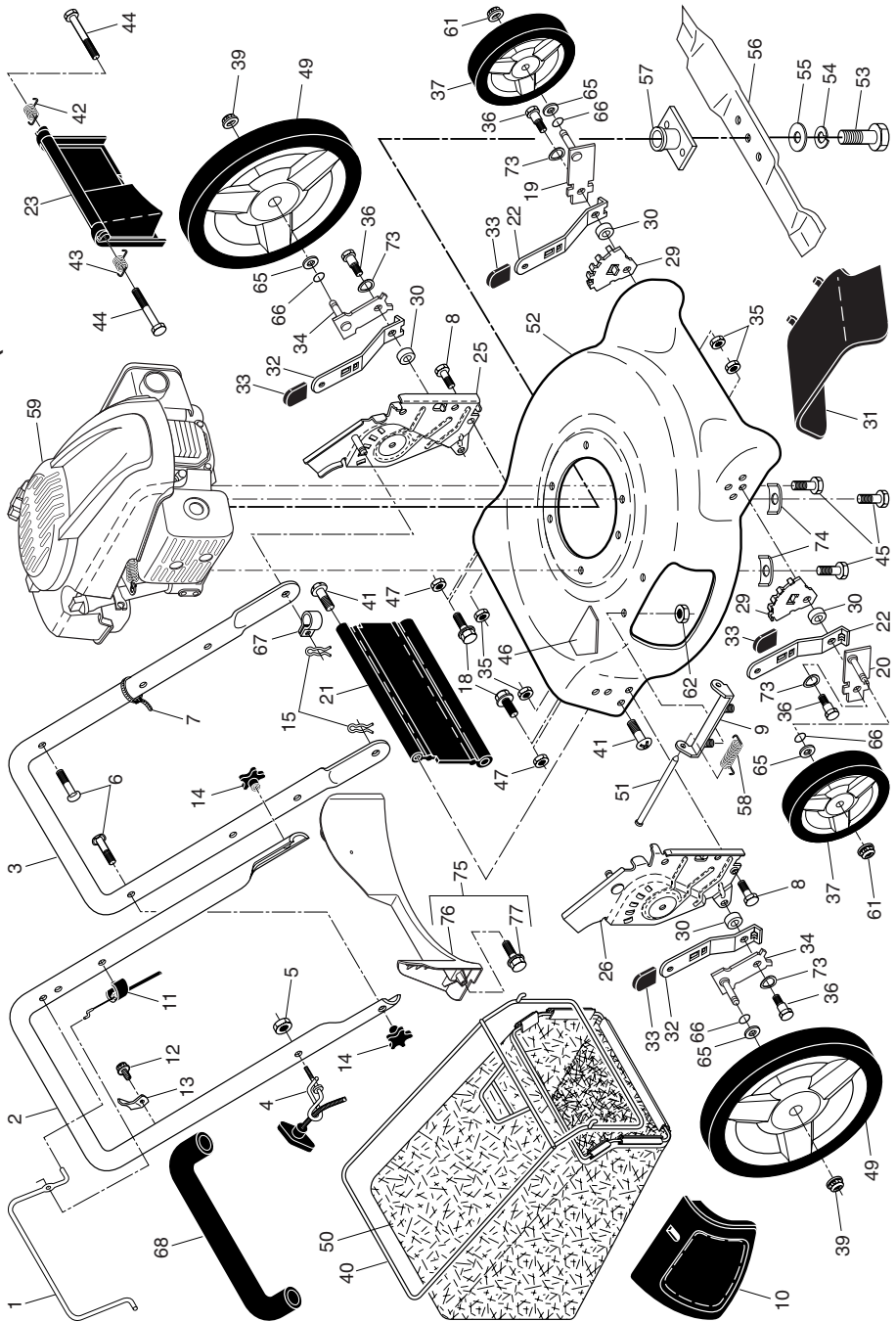
Read and follow all  
Safety Rules and Instructions  
before operating this equipment

Husqvarna, Charlotte, NC 28269 U.S.A.

Visit our website: [www.husqvarna.com](http://www.husqvarna.com)

# REPAIR PARTS

HUSQVARNA ROTARY LAWN MOWER -- MODEL NUMBER 917.384510 (PRODUCT NUMBER 6021P)

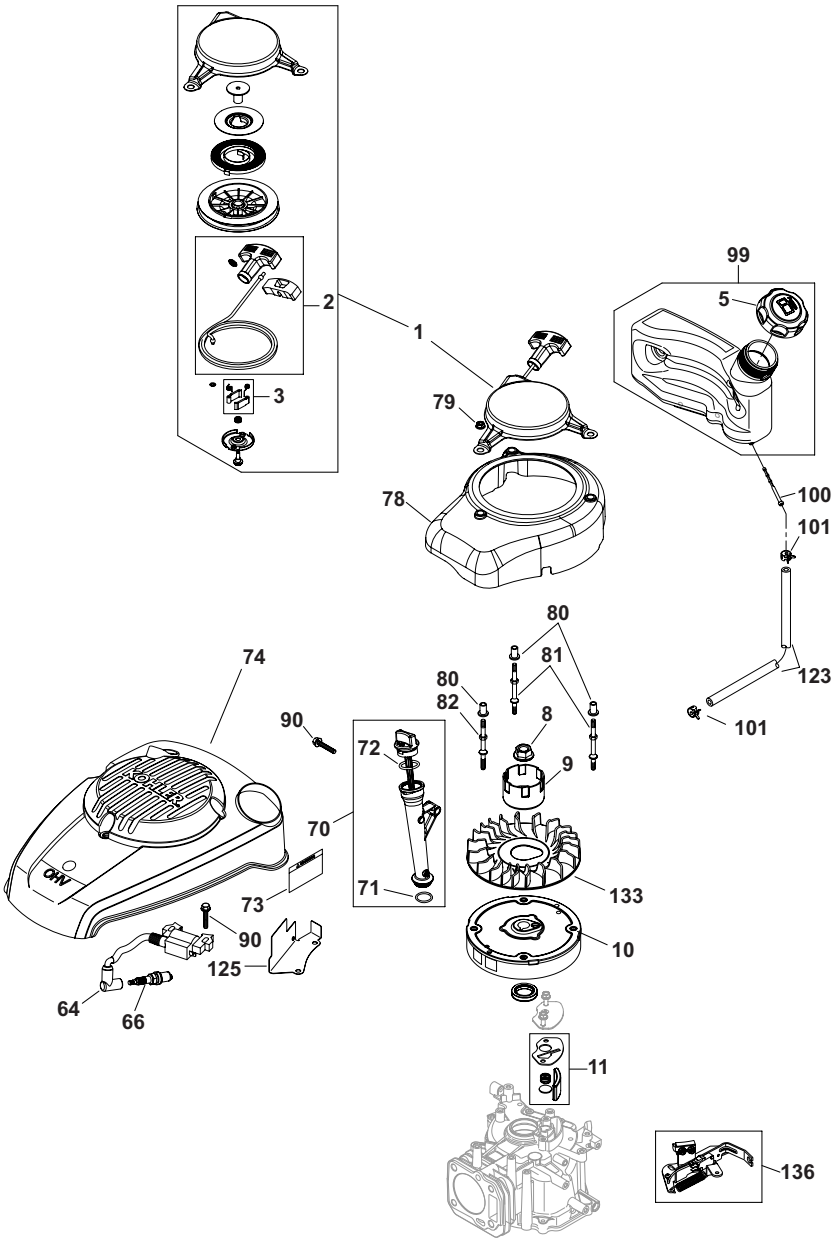


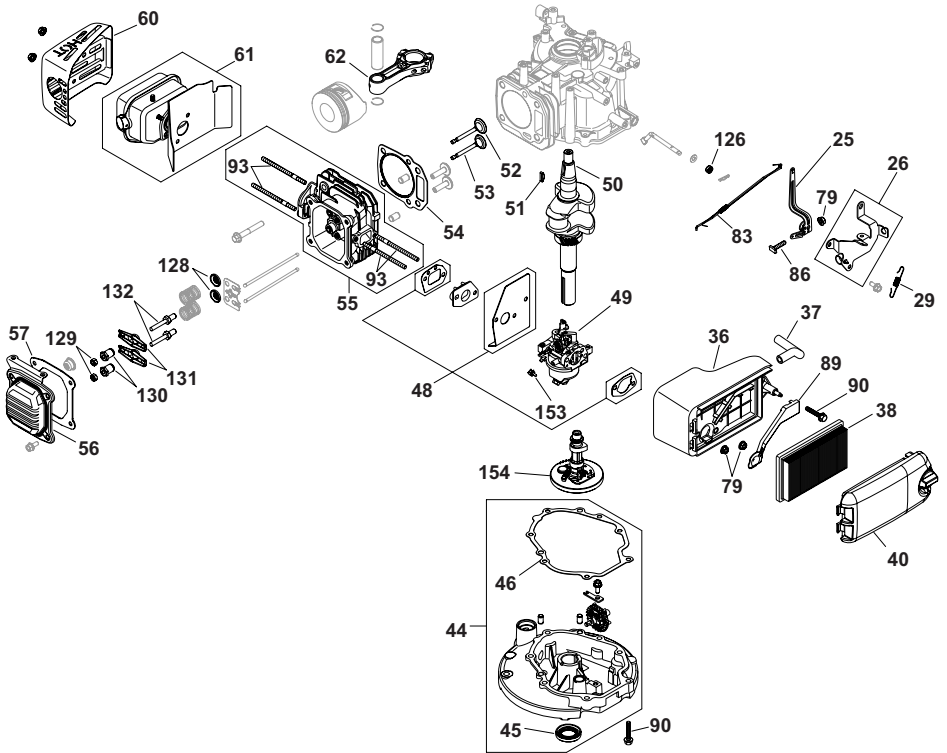
# HUSQVARNA ROTARY LAWN MOWER -- MODEL NUMBER 917.384510 (PRODUCT NUMBER 6021P)

KEY NO.	PART NO.	DESCRIPTION	KEY NO.	PART NO.	DESCRIPTION	KEY NO.	PART NO.	DESCRIPTION
1	194177X422	Control Bar	32	401624X004	Selector Spring, Rear	56	406712	21" Blade
2	197808	Upper Handle	33	87877	Selector Knob	57	420097	Blade Adapter
3	169708X498	Lower Handle	34	401176X004	Axle Arm Assembly, Rear, LH	58	152124	Hinge Spring
4	194788	Rope Guide	35	426589	Locknut, Hex 5/16-18	59	---	Engine, Kohler, Model Number XT149-0026-EA (See Breakdown)
5	132004	Nut, Hex	36	401638	Shoulder Bolt 5/16-18	61	409148	Nut, Hex
6	191574	Handle Bolt	37	401273X460	Wheel & Tire Assembly, Front	62	73800400	Locknut, Hex 1/4-20
7	66426	Wire Tie	39	409149	Flanged Locknut, Hex	65	88348	Washer, Flat
8	74780512	Bolt, Hex Head 5/16-18 x 3/4	40	411949	Frame, Grassbag	66	197480	O-Ring
9	154132	Hinge Bracket	41	88652	Hinge Screw	67	197991	Clip, Cable
10	185589	Mulcher Door	42	405421	Spring, Rear Door, LH	68	164265	Grip, Foam
11	183281	Engine Zone Control Cable	43	405423	Spring, Rear Door, RH	73	401630	Washer, Curved
12	750634	Hex Washer Head Screw	44	184193	Bolt, Rear Door	74	851201X004	Washer, Special, Engine
13	429930X004	Up-Stop Bracket	45	150406	Screw, Hex Head, Threaded, Rolled 3/8-16 x 1	75	413693	Kit, Rear Baffle (Includes 3 Screws)
14	182398	Handle Knob	46	404763	Danger Decal	76	410589	Baffle, Rear
15	51793	Hairpin Cotter	47	751153	Nut, Hex	77	17411312	Screw, Rear Baffle
18	17600406	Screw 1/4-20 x 3/8	48	401177X004	Axle Arm Assembly, Rear, RH	--	404764	Warning Decal (not shown)
19	401174X004	Axle Arm Assembly, Front, LH	49	401277X460	Wheel & Tire Assembly, Rear	--	431621	Owner's Manual
20	401175X004	Axle Arm Assembly, Front, RH	50	194715	Grassbag	Available accessories not included with mower:		
21	418655	Kit, Rear Skirt	51	147286	Hinge Rod	--	71 33623	Gas Can
22	401621X004	Selector Spring, Front	52	418709	Kit, Housing	--	71 33500	(2.5 Gallon Container)
23	401814X428	Rear Door Assembly				--	71 33000	Fuel Stabilizer
25	410385X422	Handle Bracket Assembly, LH	53	851084	(Includes Key Number 46) Screw, Hex Head, Grade 8	--	71 33000	SAE 30W Oil
26	410386X422	Handle Bracket Assembly, RH						(20 Ounce Bottle)
29	407494X005	Wheel Adjusting Bracket	54	850263	Helical Lockwasher			
30	401629	Spacer	55	851074	Hardened Washer			
31	185595	Discharge Deflector						

**NOTE:** All component dimensions given in U.S. inches. 1 inch = 25.4 mm

**IMPORTANT:** Use only Original Equipment Manufacturer (O.E.M.) replacement parts. Failure to do so could be hazardous, damage your lawn mower and void your warranty.





<b>KEY PART NO.</b>	<b>NO.</b>	<b>DESCRIPTION</b>	<b>KEY NO. NO.</b>	<b>PART DESCRIPTION</b>
1	14 165 01-s	Starter, Recoil (Includes Key Numbers 2 and 3, Recoil Housing, Recoil Bushing, Recoil Guide Plate, Recoil Springs, Recoil Pulley, Recoil Retainer Plate and Recoil Shoulder Screw)	60	14 314 04-s Guard Assembly, Muffler
2	14 160 01-s	Kit, Starter Rope, with Handle (Includes Coil Starter Rope, Recoil Starter Handle, Recoil Starter Handle Retainer and Recoil Rope Retainer)	61	14 068 06-s Muffler Assembly
3	14 379 01-s	Kit, Pawl Repair (Includes Recoil Springs and Recoil Starter Pawls)	62	14 067 02-s Rod Assembly, Connecting
5	14 227 04-s	Cap Assembly, Fuel	64	14 584 05-s Module, Ignition (Aluminum Flywheel)
8	14 100 10-s	Nut, Flywheel, with Serrations	66	14 132 08-s Plug, Spark (RA10HC)
9	14 109 02-s	Cup, Starter Drive	70	14 123 04-s Assembly, Dipstick and Tube (Includes Key No.s 71 and 72)
10	14 025 02-s	Flywheel Assembly, Aluminum	71	14 153 03-s O-Ring, Oil Fill Tube
11	14 050 01-s	Kit, Breather Filter (Includes Breather Cover Gasket, Breather Cover Spring, Breather Filter and Breather Reed)	72	14 153 01-s O-Ring, Dipstick
25	14 090 18-s	Lever, Governor	73	14 113 03-s Label, Warning
26	14 126 22-s	Control Assembly, Fixed Speed	74	14 096 36-s Cover, Engine
29	14 089 14-s	Spring, Extension (Governor)	78	14 027 03-s Housing, Blower
36	14 094 13-s	Base, Air Cleaner	79	M-641060-s Nut, Hex Flange (M6)
37	14 123 05-s	Hose, Breather	80	14 112 07 Spacer, Compression Limiter
38	14 083 01-s	Element, Air Filter	81	14 072 12-s Stud, Blower Housing (Fuel Tank)
40	14 096 09-s	Cover, Air Cleaner	82	14 072 13-s Stud, Blower Housing (Ignition)
44	14 199 03-s	Kit, Oil Pan (Includes Key Numbers 45 and 46)	83	14 079 20-s Linkage, Governor (Auto Choke)
45	14 032 05-s	Seal, Oil	86	25 086 166-s Screw, Retangle Head, M6
46	14 041 13-s	Gasket, Oil Pan	89	14 096 51-s Cover, Air Cleaner Base (Breather Gas)
48	14 041 16-s	Gasket, Carburetor (Heat Shield)	90	25 086 293-s Screw, Hex Flange (M6)
49	14 853 21-s	Carburetor, 12mm Auto Choke without Shutoff	93	24 072 06-s Stud, Carburetor (M6)
50	14 014 29-s	Crankshaft Assembly	99	14 065 11-s Tank, Fuel (Row) (Includes Key Number 5)
51	14 340 01-s	Key, Woodruff	100	14 050 14-s Filter, Fuel (in-nipple)
52	14 017 02-s	Valve, Intake	101	14 237 04-s Clamp, Hose
53	14 016 02-s	Valve, Exhaust	123	25 111 61-s Hose, Fuel Low-permeation
54	14 841 15-s	Gasket, Head	125	--- Guard, Finger
55	14 318 02-s	Kit, Cylinder Head (Includes Key Number 93)	126	--- Seal, Oil
56	14 096 05-s	Cover, Valve	128	--- Retainer, Valve Spring
57	14 041 01-s	Gasket, Valve Cover	129	--- Nut, Hex Jam (M6)
			130	--- Pivot, Rocker Arm
			131	--- Arm, Rocker
			132	--- Stud, Rocker Arm
			133	--- Fan, Flywheel (Plastic)
			136	14 219 07-s Brake Assembly, Carburetor Side (Includes Brake Lever, Brake Spring, Flange Nuts, Brake Pad, Ground To Kill Lead, Screw, Kill Switch, Brake Bracket, Brake Lever Washer and Brake Lever Rivet)
			153	14 237 05-s Clamp, Hose
			154	--- Camshaft Assembly

# **SERVICE NOTES**

# Get it fixed, at your home or ours!

## Your Home

For repair – **in your home** – of **all** major brand appliances, lawn and garden equipment, or heating and cooling systems, **no matter who made it, no matter who sold it!**

For the replacement parts, accessories and owner's manuals that you need to do-it-yourself.

For Sears professional installation of home appliances and items like garage door openers and water heaters.

**1-800-4-MY-HOME**<sup>®</sup> Anytime, day or night  
(1-800-469-4663) (U.S.A. and Canada)  
[www.sears.com](http://www.sears.com) [www.sears.ca](http://www.sears.ca)

## Our Home

For repair of carry-in products like vacuums, lawn equipment, and electronics, call or go on-line for the nearest **Sears Parts and Repair Center.**

**1-800-488-1222** Anytime, day or night (U.S.A. only)  
[www.sears.com](http://www.sears.com)

To purchase a protection agreement (U.S.A.) or maintenance agreement (Canada) on a product serviced by Sears:

**1-800-827-6655** (U.S.A.) **1-800-361-6665** (Canada)

Para pedir servicio de reparación a domicilio, y para ordenar piezas:

**1-888-SU-HOGAR**<sup>®</sup>  
(1-888-784-6427)

Au Canada pour service en français:

**1-800-LE-FOYER**<sup>MC</sup>  
(1-800-533-6937)  
[www.sears.ca](http://www.sears.ca)



© Sears Brands, LLC

® Registered Trademark / <sup>TM</sup> Trademark / <sup>SM</sup> Service Mark of Sears Brands, LLC

® Marca Registrada / <sup>TM</sup> Marca de Fábrica / <sup>SM</sup> Marca de Servicio de Sears Brands, LLC

<sup>MC</sup> Marque de commerce / <sup>MD</sup> Marque déposée de Sears Brands, LLC