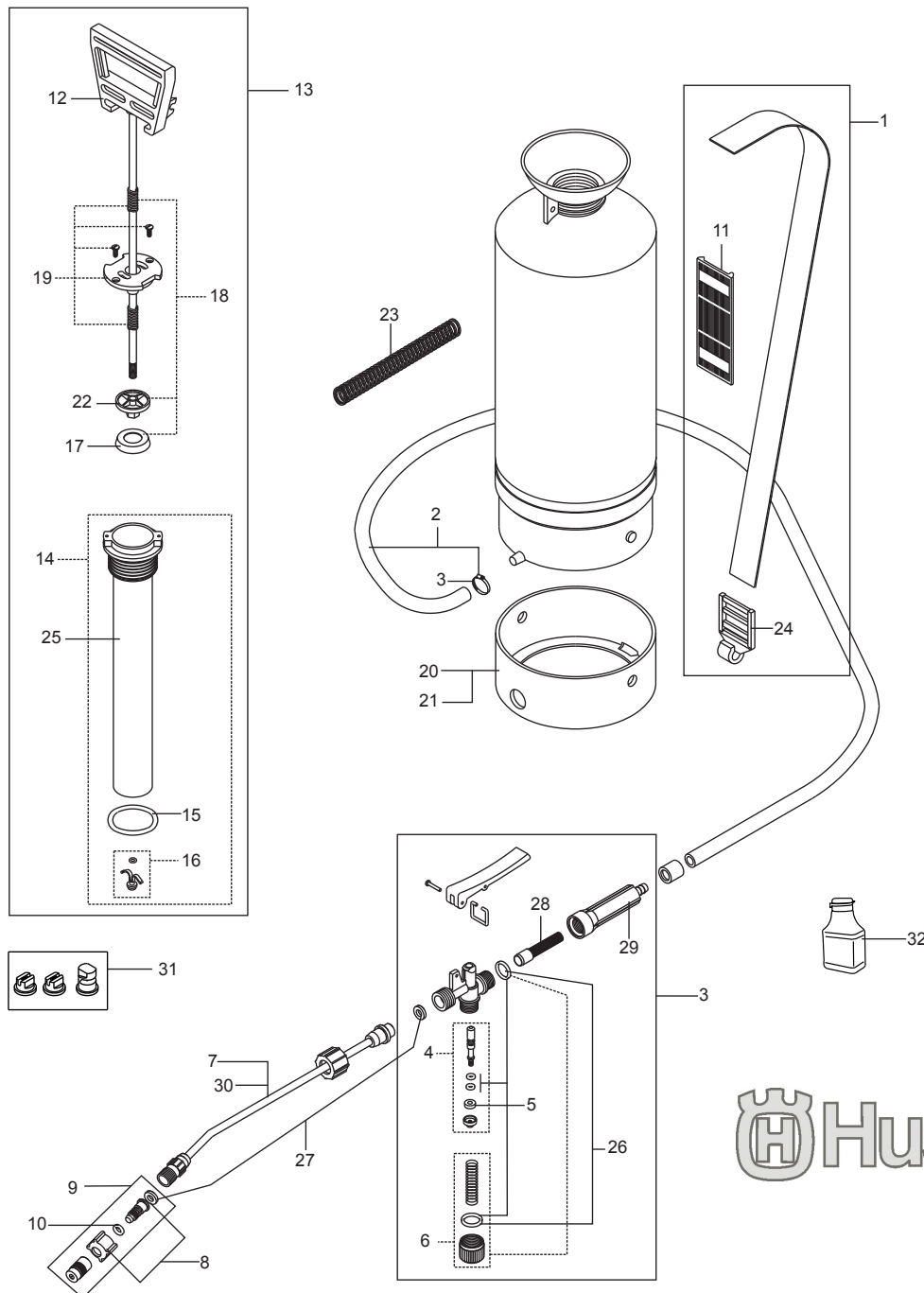


Parts list for the **HUSQVARNA** model **HS2** - 2 gallon/**HS4** - 3.5 gallon compression sprayer



PARTS LIST

1	574151401	Shoulder strap assembly (1-belt & 1-clip).
2	574151701	Hose set (w/2 clamps).
3	574152201	Complete spray pistol w/built-in filter.
4	574152301	Spindle set.
5	574152401	Spindle O-ring set.
6	574152501	Plug set.
7	574152601	Brass spray wand 20".
8	574152701	Nozzle holder.
9	574152801	Adjustable brass nozzle w/holder.
10	574154101	Spray tip O-ring.
11	574 15 53-01	Shoulder pad.
12	577 11 96-01	Pump handle (orange)
13	577 11 97-01	Complete pump module (orange)
14	577 11 98-01	Complete pump module.
15	574156301	Large pump O-ring.
16	574156401	Check valve antenna & O-ring.
17	574156501	Pump plunger - nitril.
18	574156601	Pump plunger assembly set.
19	574156701	Pump top & screw set.
20	577 11 99-01	Plastic base (grey) for HS2
21	577 12 00-01	Plactic base (grey) for HS4
22	577 12 01-01	Piston seat.
23	574154201	Hose spring for compression sprayer.
24	574154401	Belts hook.
25	577 12 12-01	Pump tube.
26	574155401	O-ring for plug.
27	574155501	Washer set for gun & nozzle.
28	574 15 68-01	Filter for RMKIT 18F.
29	574 15 69-01	Grip handle for RMKIT 18F.

ACCESORIES

30	577 11 83-01	20" plastic spray wand.
31	574153901	Plastic spray tip set (2-8004 & 1-TK5).
32	577 12 30-01	Silicone grease lubricant for all sprayer.

 **Husqvarna**

HS2

 **Husqvarna**

HS4