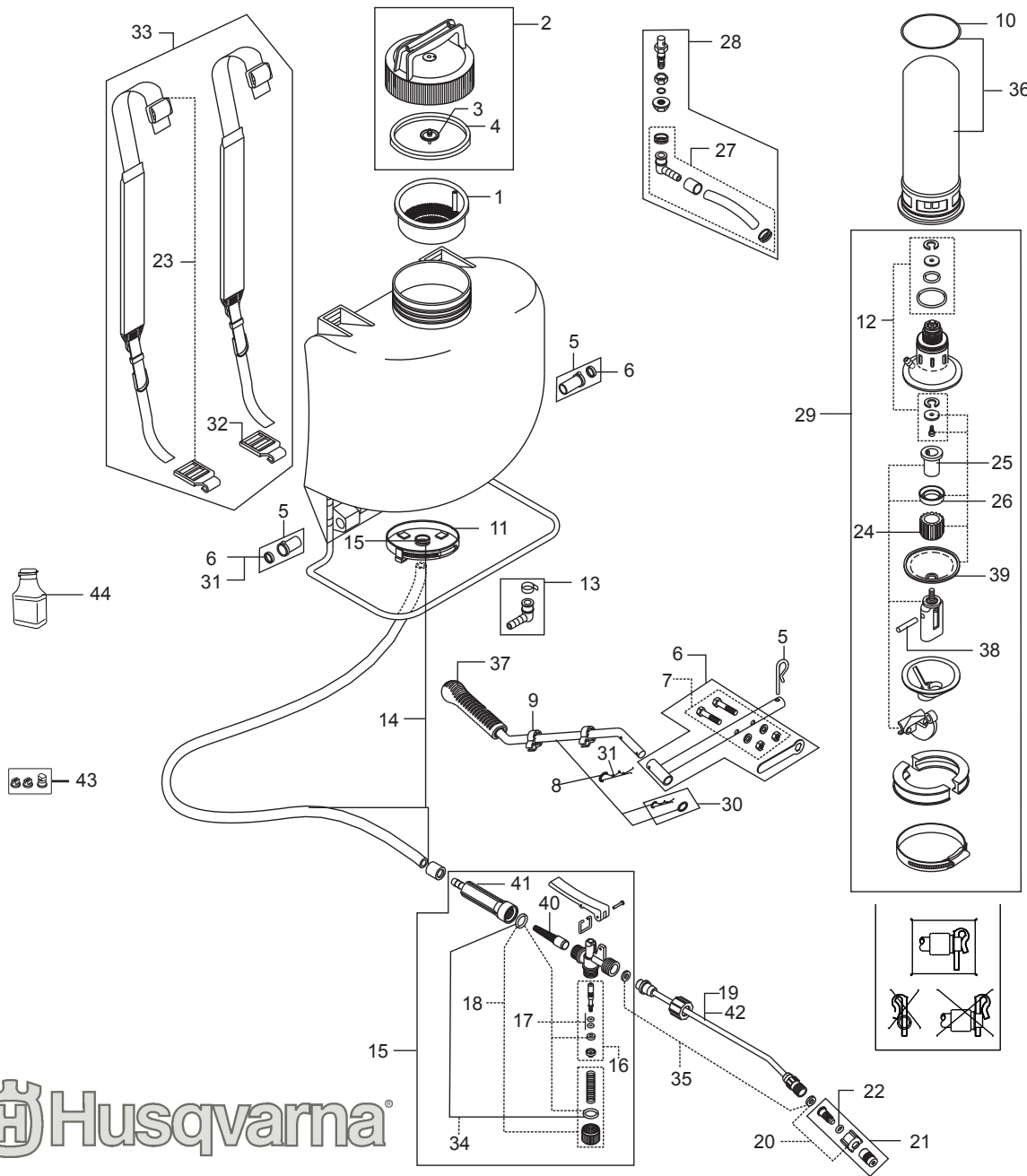


Parts list for the **HUSQVARNA** model **BP4E** 4-gallon Backpack Sprayer



PARTS LIST

Position	Article	Description
1	574 14 92-01	Tank strainer
2	577 11 78-01	Orange lid (6") w/seal & carrying handle
3	574 14 93-01	Seal for cap 6
4	574 14 94-01	Check valve for cap
5	574 14 95-01	Nylon bearing
6	574 14 96-01	Pump lever fold back type
7	574 15 03-01	Screw & nut set
8	577 11 79-01	Pump handle fold back type
9	577 11 80-01	Clips for pump handle
10	574150501	Pressure tank O-ring
11	574150601	Retention clamp
12	574150701	Diaphragm O-ring & washer set
13	574151601	90° degree fitting & clamp
14	574151701	Hose set (w/2 clamps)
15	574152201	Complete spray pistol w/built-in filter
16	574152301	Spindle set
17	574152401	Spindle o-ring set
18	574152501	Plug set
19	574152601	Brass spray wand 20"
20	574152701	Nozzle holder
21	574152801	Adjustable brass nozzle w/holder
22	574154101	Spray tip O-ring set
23	574155201	Shoulder strap belt hook (1) & buckle clip (1)
24	577 11 86-01	Piston pump holder & guide - viton
25	577 11 89-01	Viton diaphragm, piston, & internal seals
26	577 11 88-01	Viton piston cup
27	577 11 90-01	Agitating hose & clamps
28	577 11 91 01	Agitating hose, clamps, & tank connector (plastic)
29	577 11 94-01	Complete pump module
30	574151901	Locking pin - pump handle (small)
31	574152001	Locking pin - pump handle (large)
32	574154401	Shoulder strap belt hook (1)
33	574154501	Heavy - duty padded adjustable straps
34	574155401	O-ring for plug
35	574155501	Washer set for gun & nozzle
36	574155801	Special solvent resistant pressure tank
37	577 12 22-01	Plastic ball grip
38	577 12 19-01	Pin for pump lever
39	577 12 29-01	Hytrell diaphragm membrane
40	574 15 68-01	Filter for RMKit 18F
41	574 15 69-01	Grip handle for RMKit 18F

ACCESORIES

42	577 11 83-01	20" Plastic spray wand
43	574153901	Plastic spray tip set (2-8004 & 1-TK5)
44	577 12 30-01	Silicone grease lubricant for all sprayer

Husqvarna®

BP4E

NOTE:

For best results, the sprayer should be pumped every 5 seconds on a continuous basis. This will maintain your spraying pressure. If you do not pump, you will not have pressure to spray

BN513-0810E/EX

Rev.00