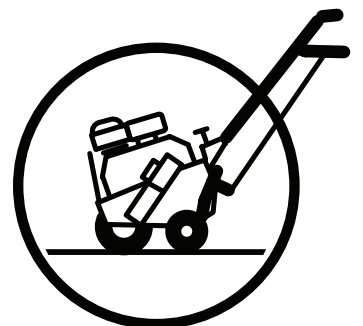




## Parts Manual

**ARI9B / 968999277    ARI9B / 968999358**  
**ARI9 / 968999363    ARI9BC / 968999646**  
**AR25H / 968981104**

Please read the operator's manual carefully and make sure you understand the instructions before using the machine.



**English**



# CONTENTS

---

## CHASSIS / FRAME

Models AR19 ..... 4

Models AR25 ..... 6

## HANDLE

Models AR19 Cam Lock ..... 8

Models AR19 Link Lock ..... 10

Models AR25 ..... 12

## WHEELS

Models AR19 ..... 14

Models AR25 ..... 16

## POWER TRAIN

Models AR19 ..... 18

ModelS AR25 ..... 20

## TINES

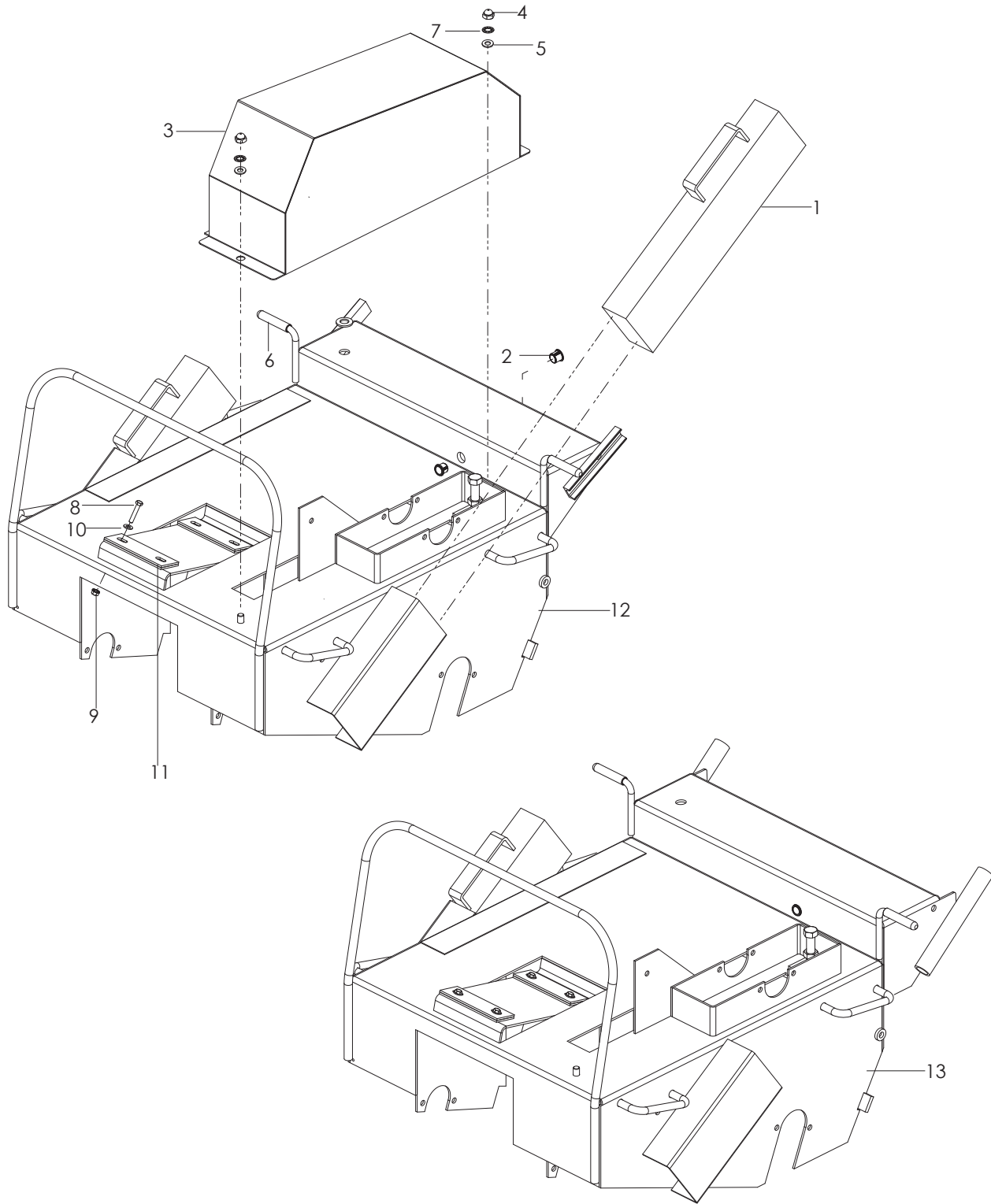
Models AR19 ..... 22

Models AR25 ..... 24

DECALS ..... 26

# CHASSIS / FRAME

Models AR19



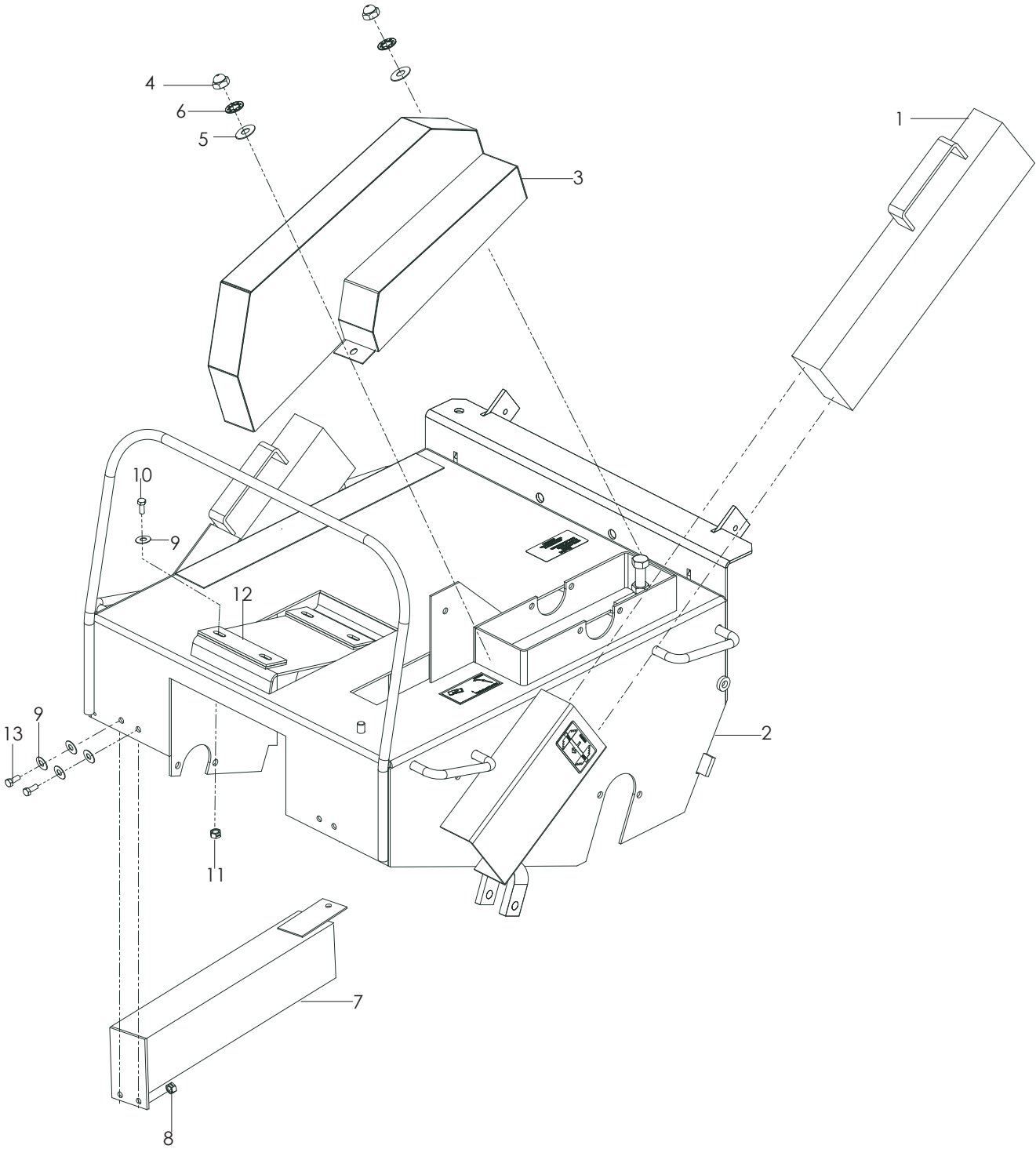
# CHASSIS / FRAME

---

ITEM	PART NO.	QTY.	DESCRIPTION	ITEM	PART NO.	QTY.	DESCRIPTION
1..	539 012535....	2	WEIGHT	11..	539 007203....	1	PLATE KIT (4 ea of Items 8-10 and plates)
2..	539 030465....	2	BUSHING	12..	540 007601....	1	HOUSING W/DECALS (Cam Lock)
3..	540 007602....	1	DRIVE GUARD W/DECALS	13..	522 629301....	1	HOUSING W/DECALS (Link Lock)
4..	539 108746....	2	NUT $\frac{3}{8}$ -16 ACORN	NOT SHOWN			
5..	539 990122....	2	WASHER $\frac{3}{8}$ SAE FLAT	540 007603 ...	1	DECAL KIT, AR19	
6..	539 000034....	2	GRIP, CLUTCH	540 000729 ...	1	PAINT, ORG 1 QT	
7..	539 990390....	2	WASHER $\frac{3}{8}$ ITLW				
8..	539 990669....	4	HCS $\frac{5}{16}$ -18 x $1\frac{3}{4}$				
9..	539 108787....	4	NUT $\frac{5}{16}$ -18 KEP HEX				
10..	539 990188....	4	WASHER $\frac{5}{16}$ SAE				

# CHASSIS / FRAME

Models AR25



# CHASSIS / FRAME

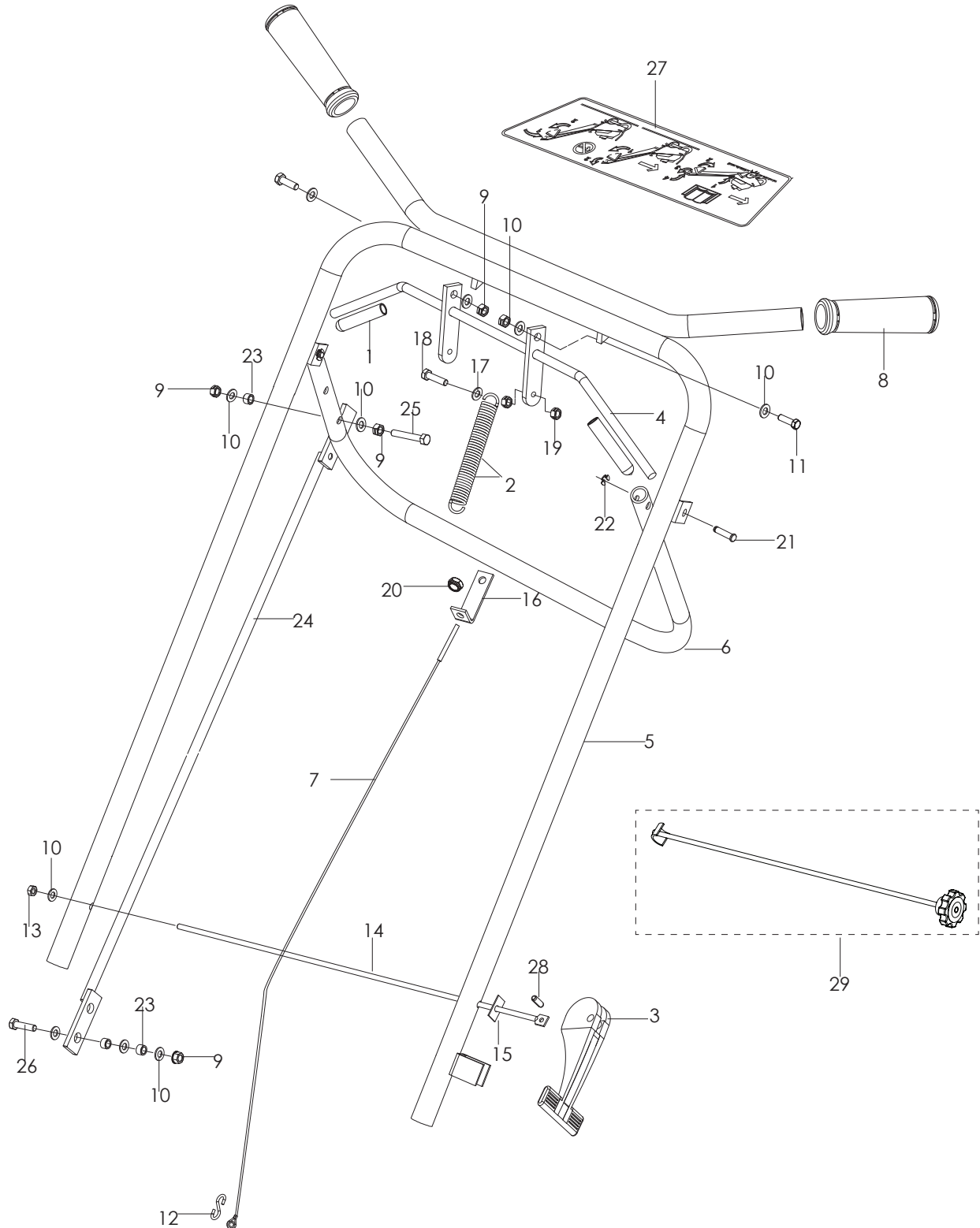
---

ITEM	PART NO.	QTY.	DESCRIPTION	ITEM	PART NO.	QTY.	DESCRIPTION
1..	539 012535....	2	WEIGHT, 36 LBS.	10..	539 990669....	4	HCS <sup>5</sup> / <sub>16</sub> -18 x 1 <sup>3</sup> / <sub>4</sub>
2..	540 007400....	1	HOUSING W/DECALS	11..	539 108787....	4	NUT <sup>5</sup> / <sub>16</sub> -18 KEP HEX
3..	540 007401....	1	DRIVE GUARD W/DECALS	12..	540 007203....	1	PLATE KIT (4 ea of Items 9-11 and plates)
4..	539 108746....	2	NUT <sup>3</sup> / <sub>8</sub> -16 ACORN	13..	539 990209....	4	HCS <sup>5</sup> / <sub>16</sub> -18 x 1
5..	539 990122....	2	WASHER <sup>3</sup> / <sub>8</sub> SAE FLAT	NOT SHOWN			
6..	539 990390....	2	WASHER <sup>3</sup> / <sub>8</sub> ITLW		540 007404 ...	1	DECAL KIT
7..	539 012449....	2	WEIGHT, MOUNTED 36 LB		540 000729 ...	1	PAINT, ORG 1 QT
8..	539 990184....	4	NUT <sup>5</sup> / <sub>16</sub> -18 CTRLK				
9..	539 990188..	12	WASHER <sup>5</sup> / <sub>16</sub> SAE				

# HANDLE

Models AR19  
Cam Lock

For Units produced prior to Serial Number 084573366





# HANDLE

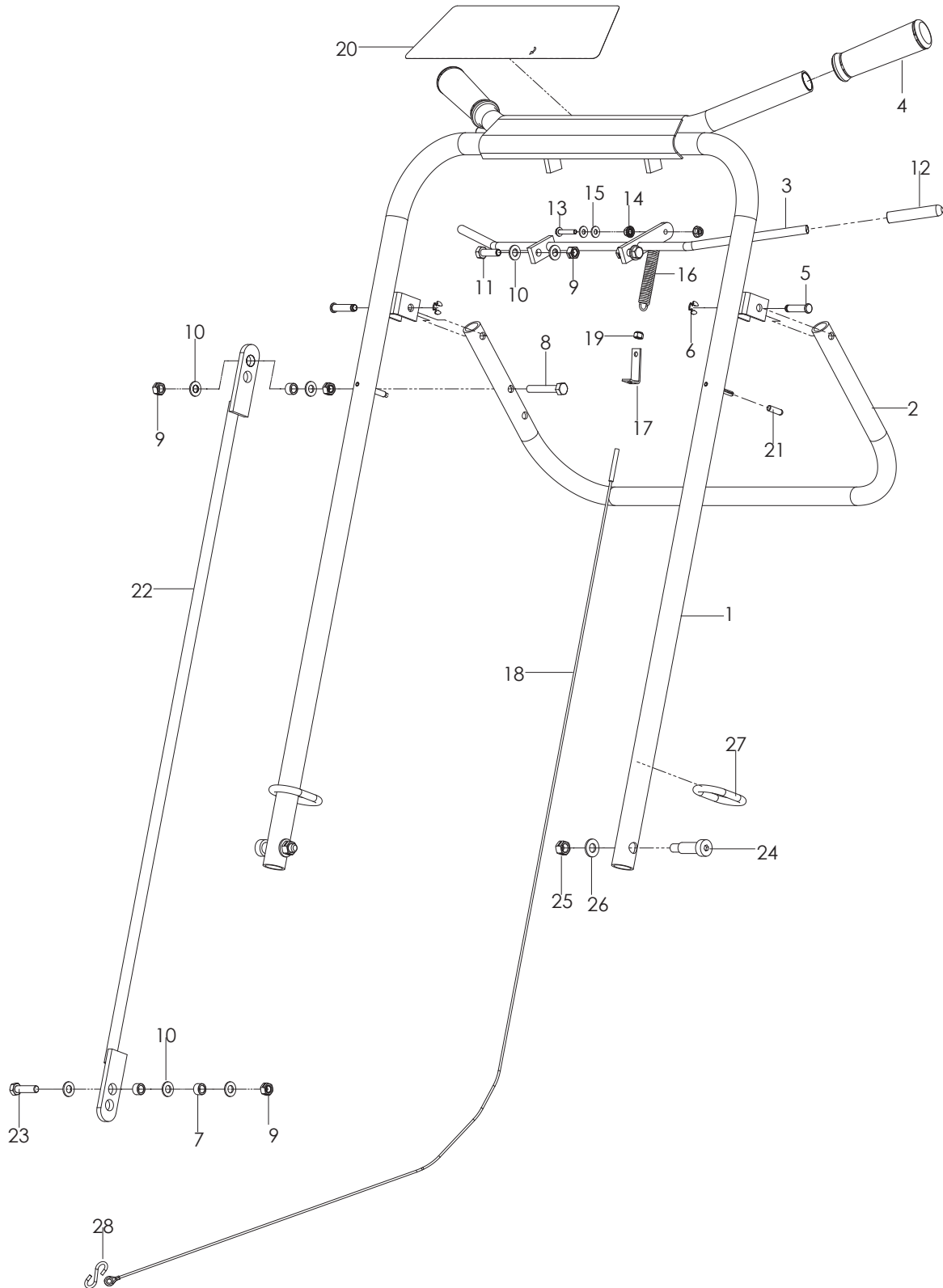
---

ITEM	PART NO.	QTY.	DESCRIPTION	ITEM	PART NO.	QTY.	DESCRIPTION
1..	539 000033....	2	GRIP, CLUTCH	17..	539 105408....	2	WASHER #10
2..	539 005129....	1	SPRING, CLUTCH	18..	539 107353....	1	SCREW #10-32 x 1
3..	539 005256....	1	CAM, LOCKING	19..	539 108741....	2	NUT #10-32 FLG LK
4..	540 200168....	1	BAIL	20..	539 976977....	1	NUT #10-24 HEX NYLOC
5..	539 200744....	1	HANDLE	21..	539 003895....	2	PIN, CLEVIS <sup>5</sup> / <sub>16</sub>
6..	540 200253....	1	CONTROL HANDLE, RR	22..	539 109303....	2	RING, RETAINING EXT <sup>5</sup> / <sub>16</sub>
7..	540 010189....	1	CABLE, CLUTCH	23..	539 010191....	3	BUSHING 1/2"
8..	540 007191....	1	GRIPS, HANDLE, PAIR	24..	539 200290....	1	BAR, TRANSPORT LINK
9..	539 990184....	4	NUT <sup>5</sup> / <sub>16</sub> -18 CTRLK	25..	539 108395....	1	HCS <sup>5</sup> / <sub>16</sub> -18 x 2 TPBLT
10..	539 990188....	7	WASHER <sup>5</sup> / <sub>16</sub> SAE	26..	539 990627....	1	HCS <sup>5</sup> / <sub>16</sub> -18 x 1 1/4
11..	539 990209....	2	HCS <sup>5</sup> / <sub>16</sub> -18 x 1	27..	540 200122....	1	DECAL, AERATOR HANDLE
12..	539 000101....	1	HOOK, S LINK	28..	539 109274....	1	PIN, ROLL
13..	539 990717....	1	NUT <sup>5</sup> / <sub>16</sub> -18 HEX NYLOC	29..	966 979601....	1	RELEASE KIT, HANDLE (optional)
14..	539 010147....	1	ROD, CAM	NOT SHOWN			
15..	539 111816....	1	PIVOT SLIDE	539 007225 ... 1 .... CAM ROD KIT			
16..	539 010192....	1	ADJUSTER, CLUTCH CABLE				

# HANDLE

Models AR19  
Link Lock

For Units produced after Serial Number 084573366



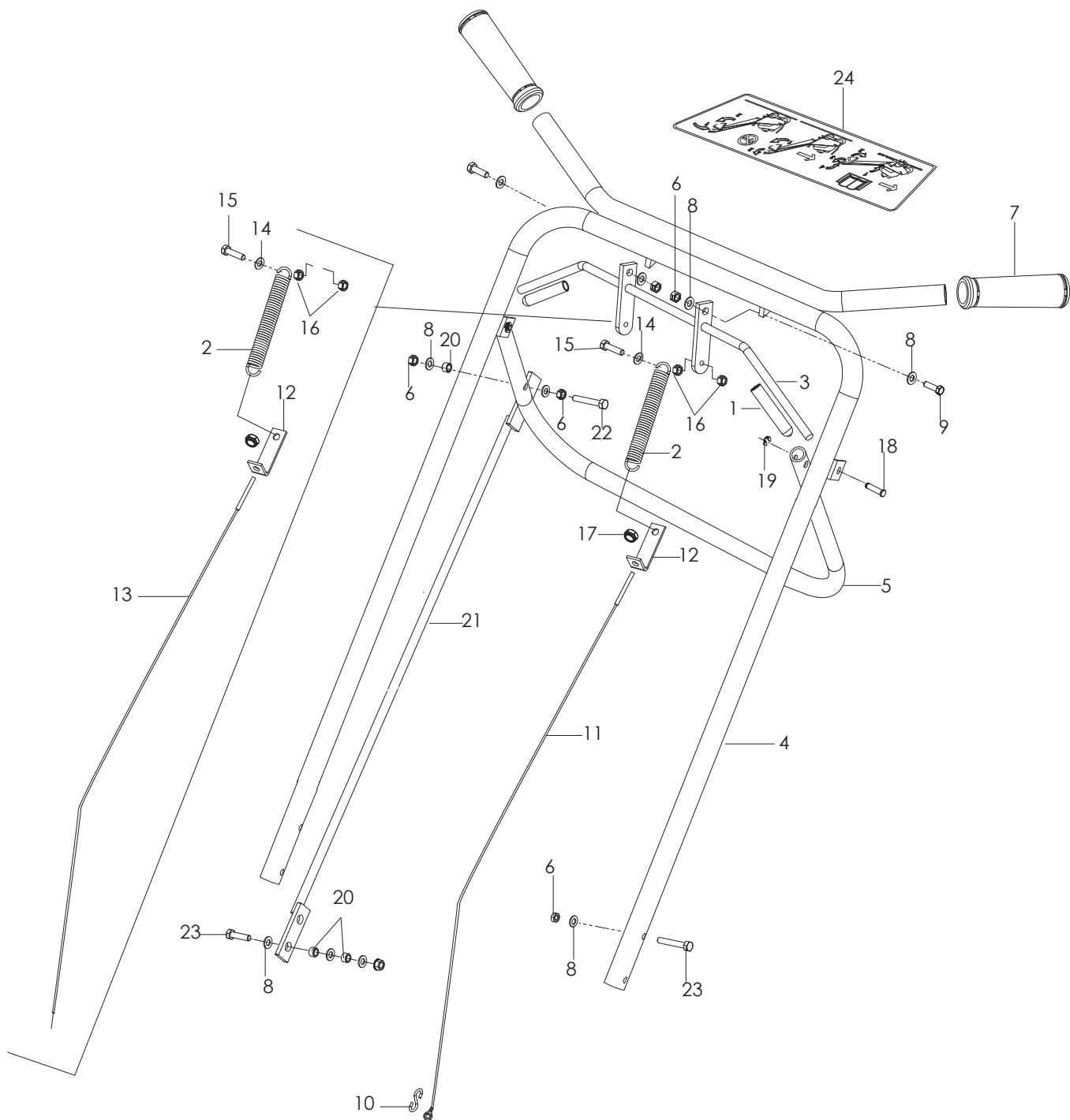
# HANDLE

---

ITEM	PART NO.	QTY.	DESCRIPTION	ITEM	PART NO.	QTY.	DESCRIPTION
1..	540 200264....	1	.... HANDLE	15..	539 105408....	2	.... WASHER #10 FLAT
2..	540 200263....	1	.... CONTROL HANDLE, RR	16..	539 005129....	1	.... SPRING
3..	540 200168....	1	.... BAIL	17..	540 010192....	1	.... ADJUSTER, CLUTCH CABLE
4..	540 007191....	1	.... GRIPS, HANDLE, PAIR	18..	540 010189....	1	.... CABLE, CLUTCH
5..	539 003895....	2	.... PIN, CLEVIS <sup>5</sup> / <sub>16</sub>	19..	539 976977....	1	.... NUT #10-24 HEX NYLOC
6..	539 109303....	2	.... RING, RETAINING EXT <sup>5</sup> / <sub>16</sub>	20..	540 200122....	1	.... DECAL, AERATOR CONTROL
7..	539 010191....	3	.... BUSHING 1/2" LG	21..	522 504301....	2	.... CAP, VINYL <sup>3</sup> / <sub>16</sub> X <sup>3</sup> / <sub>4</sub>
8..	539 108395....	1	.... HCS <sup>5</sup> / <sub>16</sub> -18 X 2 TPBLT	22..	539 200290....	1	.... BAR, TRANSPORT LINK
9..	539 990184....	5	.... NUT <sup>5</sup> / <sub>16</sub> -18 CTRLK	23..	539 990627....	1	.... HCS <sup>5</sup> / <sub>16</sub> -18 X 1 1/4
10..	539 990188....	9	.... WASHER <sup>5</sup> / <sub>16</sub> SAE	24..	522 433401....	2	.... SCREW, SHOULDER 1/2 X 1 1/4
11..	539 990209....	2	.... HCS <sup>5</sup> / <sub>16</sub> -18 X 1	25..	539 990546....	2	.... NUT <sup>3</sup> / <sub>8</sub> -16 HEX CTRLK
12..	539 000034....	2	.... GRIP, CLUTCH	26..	539 990122....	2	.... WASHER <sup>3</sup> / <sub>8</sub> SAE FLT ZD
13..	539 107353....	1	.... SCREW #10-32 X 1	27..	521 976501....	2	.... LINK, OBLONG
14..	539 108741....	2	.... NUT #10-32 FLG LK	28..	539 000101....	1	.... S HOOK

# HANDLE

Models AR25



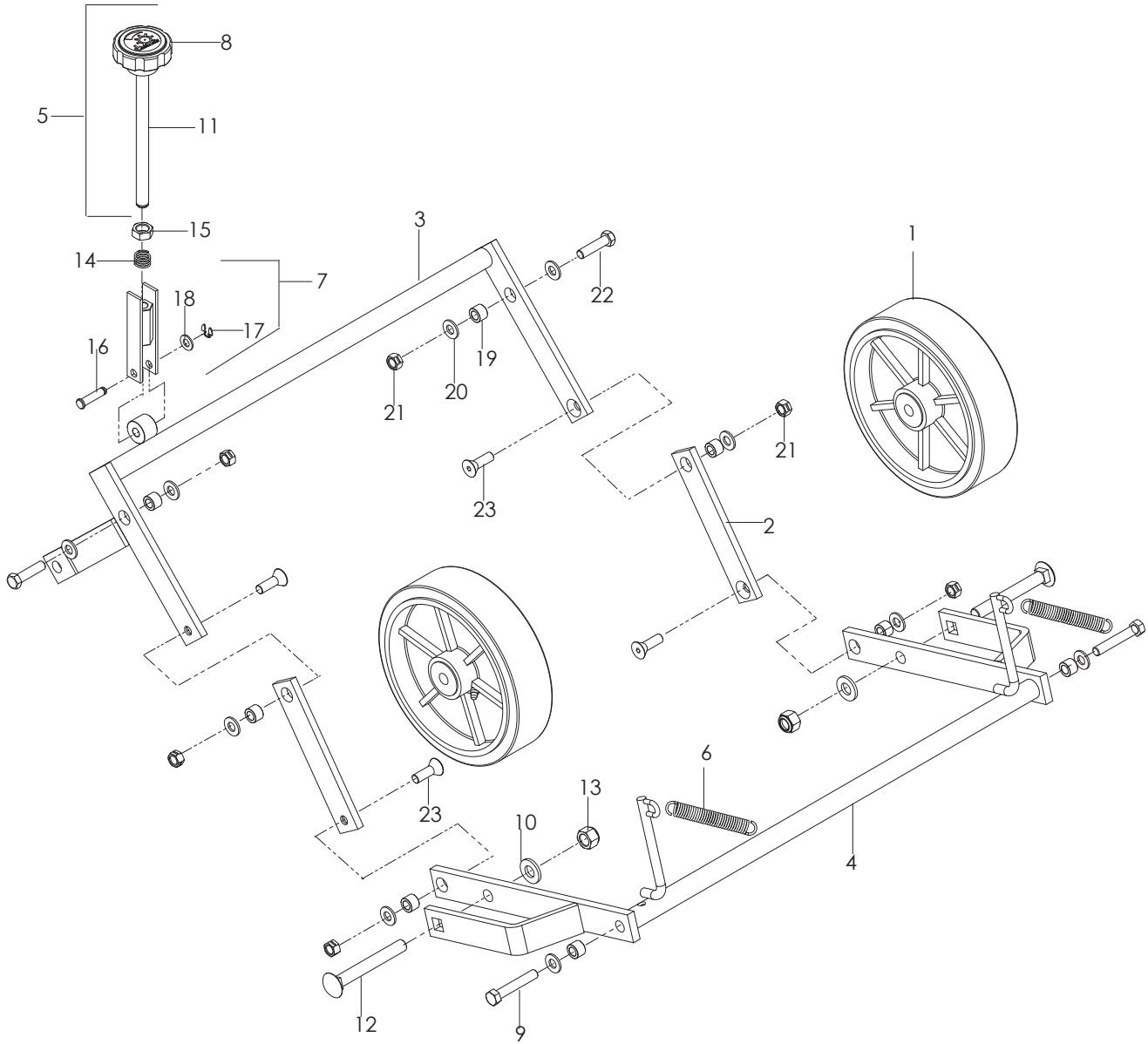
# HANDLE

---

ITEM	PART NO.	QTY.	DESCRIPTION	ITEM	PART NO.	QTY.	DESCRIPTION
1..	540 000034....	2	GRIP, CLUTCH	13..	540 012470....	1	CABLE, THROTTLE, HONDA
2..	540 005129....	2	SPRING, CLUTCH	14..	539 105408....	4	WASHER #10
3..	540 200226....	1	CLUTCH/THROTTLE CTRL	15..	539 107353....	2	SCREW #10-32 x 1
4..	540 200264....	1	HANDLE W/GRIPS	16..	539 108741....	4	NUT #10-32 FLG LK
5..	540 200263....	1	HANDLE, CONTROL, RR	17..	539 976977....	1	NUT #10-24 HEX NYLOC
6..	539 990184....	6	NUT $\frac{5}{16}$ -18 CTRLK	18..	539 003895....	2	PIN, CLEVIS $\frac{5}{16}$
7..	540 007191....	1	GRIPS, HANDLE, PAIR	19..	539 109303....	2	RING, RETAINING, EXT $\frac{5}{16}$
8..	539 990188..	10	WASHER $\frac{5}{16}$ SAE	20..	539 010191....	3	BUSHING $\frac{1}{2}$ "
9..	539 990209....	2	HCS $\frac{5}{16}$ -18 x 1	21..	540 200290....	1	BAR, TRANSPORT LINK
10..	539 000101....	1	HOOK, S LINK	22..	539 990627....	1	HCS $\frac{5}{16}$ -18 x $1\frac{1}{4}$
11..	540 010189....	1	CABLE, CLUTCH	23..	539 990669....	3	HCS $\frac{5}{16}$ -18 x $1\frac{3}{4}$
12..	540 010192....	2	ADJUSTER, CLUTCH CABLE	24..	540 200122....	1	DECAL, AERATOR HANDLE

# WHEELS

Models AR19



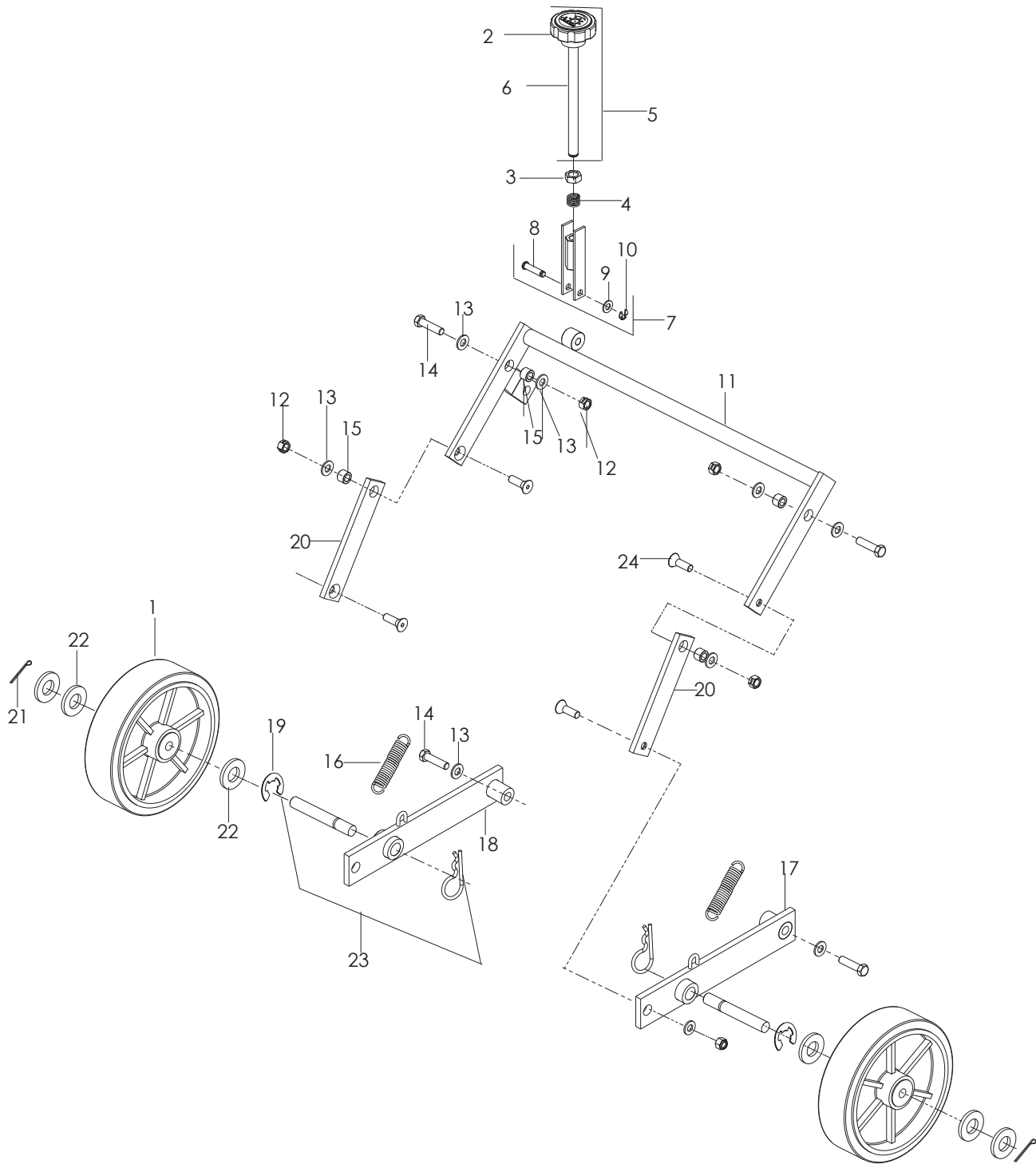
# WHEELS

---

ITEM	PART NO.	QTY.	DESCRIPTION	ITEM	PART NO.	QTY.	DESCRIPTION
1..	539 000047....	2 ....	WHEEL W/BUSHING	13..	539 101331....	2 ....	NUT ½-13 NYLOC
2..	540 200201....	2 ....	ARM, LINK	14..	539 005153....	1 ....	SPRING, HEIGHT ADJUST
3..	540 200200....	1 ....	ARM, LIFT	15..	539 990625....	1 ....	NUT ½-13 JAM
4..	540 007620....	1 ....	AXLE, WHEEL CARRIAGE	16..	539 003895....	1 ....	PIN, CLEVIS 5/16
5..	539 010163....	1 ....	KNOB ASSEMBLY	17..	539 109303....	1 ....	RING, RETAINING EXT 5/16
6..	539 010195....	2 ....	SPRING, AXLE	18..	539 990188....	1 ....	WASHER 5/16 SAE
7..	539 007215....	1 ....	BRACKET KIT, DEPTH	19..	539 010110....	8 ....	BUSHING, STEEL
8..	539 000035....	1 ....	KNOB	20..	539 990122..	14 ....	WASHER 3/8 SAE FLAT
9..	539 108551....	2 ....	HCS 3/8-16 x 2¼ GR8	21..	539 990546....	4 ....	NUT 3/8-16 HEX CTRLK
10..	539 990250....	2 ....	WASHER ½ SAE FLAT	22..	539 990655....	2 ....	HCS 3/8-16 x 1½
11..	539 108581....	1 ....	STUD ½-13 x 77/8 SPEC	23..	539 108494....	4 ....	SCREW 3/8-16 x 1¼
12..	539 108484....	2 ....	RHSNB ½-13 x 4				

# WHEELS

Models AR25





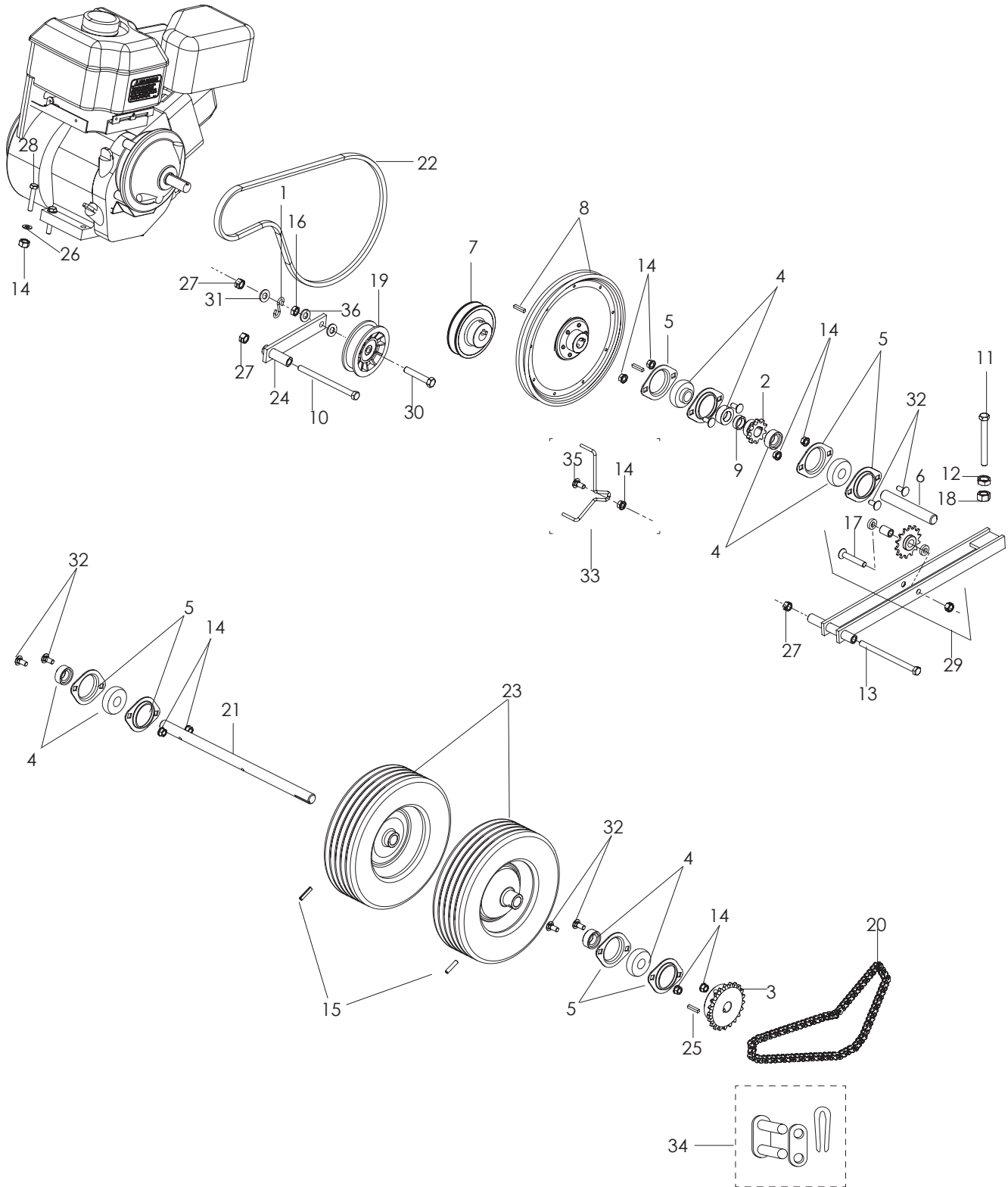
# WHEELS

---

ITEM	PART NO.	QTY.	DESCRIPTION	ITEM	PART NO.	QTY.	DESCRIPTION
1..	539 000047	....2	.... WHEEL W/BUSHING	13..	539 990122	...6	.... WASHER $\frac{3}{8}$ SAE FLAT
2..	539 000035	....1	.... KNOB	14..	539 990655	...2	.... HCS $\frac{3}{8}$ -16 x 1 $\frac{1}{2}$
3..	539 990625	....2	.... NUT $\frac{1}{2}$ -13 HEX JAM	15..	539 010110	....8	.... BUSHING, STEEL
4..	539 005153	....1	.... SPRING, HEIGHT ADJUST	16..	539 010195	....2	.... SPRING, AXLE
5..	539 007163	....1	.... KNOB ASSEMBLY	17..	540 200217	....1	.... WHEEL ARM, RIGHT
6..	539 108581	....1	.... STUD $\frac{1}{2}$ -13 x 7 $\frac{7}{8}$	18..	540 200215	....1	.... WHEEL ARM, LEFT
7..	540 200202	....1	.... BRACKET KIT, DEPTH	19..	539 102454	....2	.... E-RING $\frac{3}{4}$ "
8..	539 003895	....1	.... PIN, CLEVIS $\frac{5}{16}$	20..	540 200201	....2	.... LIFT LINK
9..	539 990188	....1	.... WASHER $\frac{5}{16}$ SAE	21..	539 109246	....2	.... PIN, COTTER $\frac{1}{8}$ X 1
10..	539 109303	....1	.... RING, RETAINING EXT $\frac{5}{16}$	22..	539 109333	....6	.... WASHER $\frac{3}{4}$
11..	540 200223	....1	.... ARM, LIFT	23..	539 007411	....2	.... AXLE KIT
12..	539 990546	....1	.... NUT $\frac{3}{8}$ -16 HEX CTRLK	24..	539 108494	....4	.... SCREW $\frac{3}{8}$ -16 x 1 $\frac{1}{4}$

# POWER TRAIN

Models AR19



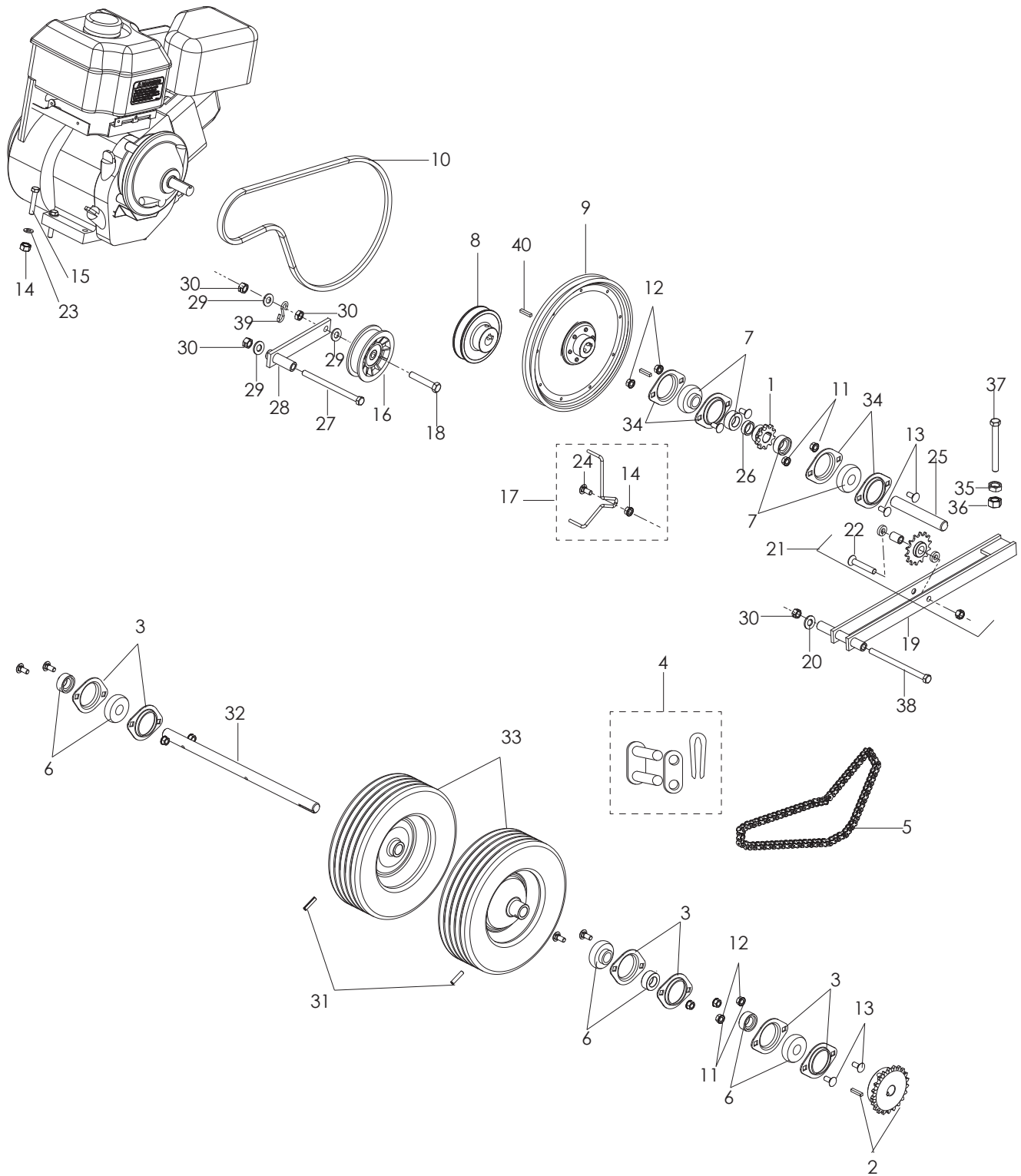
# POWER TRAIN

---

ITEM	PART NO.	QTY.	DESCRIPTION	ITEM	PART NO.	QTY.	DESCRIPTION
1..	539 000101....	1	HOOK, S	20..	539 112661....	1	CHAIN, STD
2..	539 000301....	1	SPROCKET, w/ KEY	21..	539 012503....	1	SHAFT, WHEEL, FRONT
3..	539 000303....	1	SPROCKET, w/ KEY	22..	539 200679....	1	V-BELT
4..	539 000315....	4	BEARING, 3/4" w/ LOCKING COLLAR	23..	540 010161....	2	WHEEL 10 x 3
5..	539 000316....	4	FLANGE, BEARING, 3/4"	24..	540 200091....	1	IDLER WELDMENT
6..	539 007660....	1	JACKSHAFT W/KEY	25..	539 910061....	1	KEY 3/16 x 1 SQ
7..	539 000328....	1	V-PULLEY A-4"	26..	539 990188....	4	WASHER 5/16 SAE
8..	539 000332....	1	V-PULLEY A-10"	27..	539 990546....	3	NUT 3/8-16 HEX CTRLK
9..	539 010111....	1	BUSHING, SPROCKET	28..	539 990669....	4	HCS 5/16-18 x 1 3/4
10..	539 101341....	1	HCS 3/8-16 x 3	29..	539 007209....	1	IDLER SPROCKET KIT
11..	539 108365....	1	HCS 1/2-13 x 4 TPBLT	30..	539 990588....	1	HCS 3/8-16 x 2
12..	539 990625....	1	NUT 1/2-13 HEX JAM	31..	539 990122....	2	WASHER 3/8 SAE FLAT
13..	539 108505....	1	HCS 3/8-16 x 5 1/2	32..	539 990316....	9	RHSNB 5/16-18 x 3/4
14..	539 108787....	8	NUT 5/16-18 KEP HEX	33..	539 007205....	1	BELT KEEPER KIT
15..	539 109273....	2	PIN ROLL 1/4 x 1 1/8	34..	539 000307....	1	MASTER LINK
16..	539 109332....	1	NUT 3/8-16 HEX JAM	35..	539 990799....	1	RHSNB 5/16-18 x 5/8
17..	539 109391....	1	SCREW 3/8-16 x 2 1/4	36..	539 990390....	3	WASHER 3/8 INTLOCK
18..	539 990258....	1	NUT 1/2-13 HEX				
19..	539 110311....	1	PULLEY, IDLER				

# POWER TRAIN

Models AR25



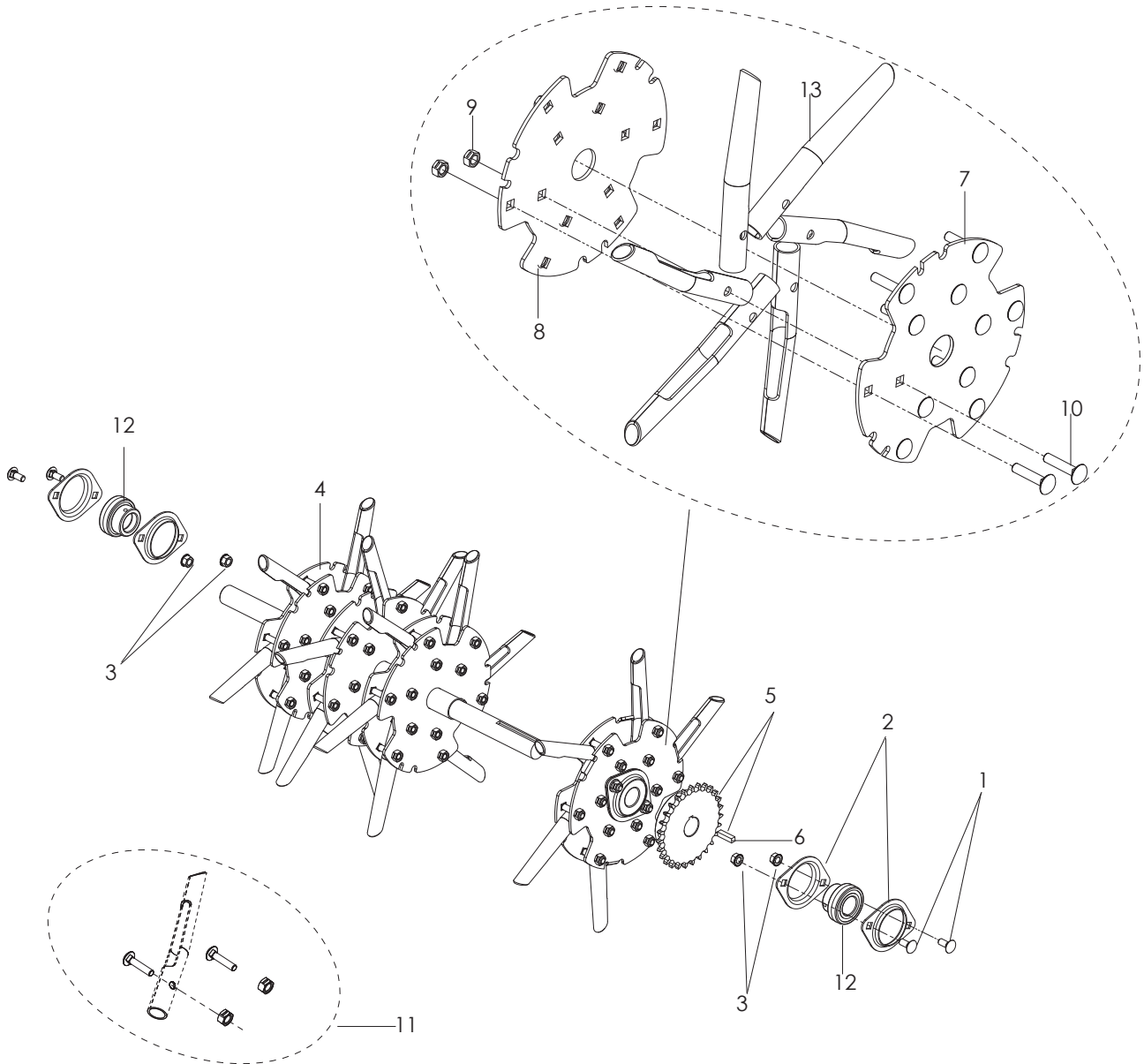
# POWER TRAIN

---

ITEM	PART NO.	QTY.	DESCRIPTION	ITEM	PART NO.	QTY.	DESCRIPTION
1..	539 007416....	1	.... SPROCKET, w/ KEY	22..	539 109391....	1	.... SCREW $\frac{3}{8}$ -16 x $2\frac{1}{4}$
2..	539 007417....	1	.... SPROCKET, w/ KEY	23..	539 990188....	4	.... WASHER $\frac{5}{16}$ SAE
3..	539 000316....	6	.... FLANGE, BEARING	24..	539 990799....	1	.... RHSNB $\frac{5}{16}$ -18 x $\frac{5}{8}$
4..	539 007419....	1	.... MASTER LINK FOR 7420	25..	539 007427....	1	.... JACKSHAFT, W/KEY
5..	539 130886....	1	.... CHAIN, ROLLER	26..	539 010111....	1	.... BUSHING, SPROCKET
6..	539 000315....	3	.... BEARING $\frac{3}{4}$ " W/LCK COLLAR	27..	539 101341....	1	.... HCS $\frac{3}{8}$ -16 x 3
7..	539 000317....	4	.... BEARING 1" W/LCK COLLAR	28..	540 200091....	1	.... IDLER WELDMENT
8..	539 000328....	1	.... V-PULLEY A-4" w/ KEY	29..	539 990122....	6	.... WASHER $\frac{3}{8}$ SAE FLAT
9..	539 007421....	1	.... V-PULLEY w/ SCREWS	30..	539 990546....	3	.... NUT $\frac{3}{8}$ -16 HEX CTRLK
10..	539 000336....	1	.... V-BELT A-44" SPECIAL	31..	539 109273....	2	.... PIN, ROLL, $\frac{1}{4}$ x $1\frac{1}{8}$
11..	539 108576....	6	.... WASHER $\frac{5}{16}$ ITLW	32..	539 012130....	1	.... SHAFT, WHEEL, FRONT
12..	539 990184....	6	.... NUT $\frac{5}{16}$ -18 CTRLK	33..	540 010161....	2	.... WHEEL, 10 x 3
13..	539 990316....	6	.... RHSNB $\frac{5}{16}$ -18 x $\frac{3}{4}$	34..	539 000318....	4	.... FLANGE, BEARING 1"
14..	539 108787....	5	.... NUT $\frac{5}{16}$ -18 KEP HEX	35..	539 990625....	1	.... NUT $\frac{1}{2}$ -13 JAM
15..	539 976935....	4	.... HCS $\frac{5}{16}$ -18 x $1\frac{1}{2}$	36..	539 990258....	1	.... NUT $\frac{1}{2}$ -13
16..	539 110311....	1	.... PULLEY, IDLER	37..	539 108365....	1	.... HCS $\frac{1}{2}$ -13 x 4 TPBLT
17..	539 007205....	1	.... BELT KEEPER KIT	38..	539 108505....	1	.... HCS $\frac{3}{8}$ -16 x $5\frac{1}{2}$
18..	539 990588....	1	.... HCS $\frac{3}{8}$ -16 x 2	39..	539 000101....	1	.... HOOK, S
19..	540 007425....	1	.... CHAIN IDLER	40..	539 105308....	2	.... KEY
20..	539 990517....	2	.... WASHER $\frac{3}{8}$				
21..	539 007426....	1	.... IDLER SPRKT KIT, CHAIN				

# TINES

Models AR19



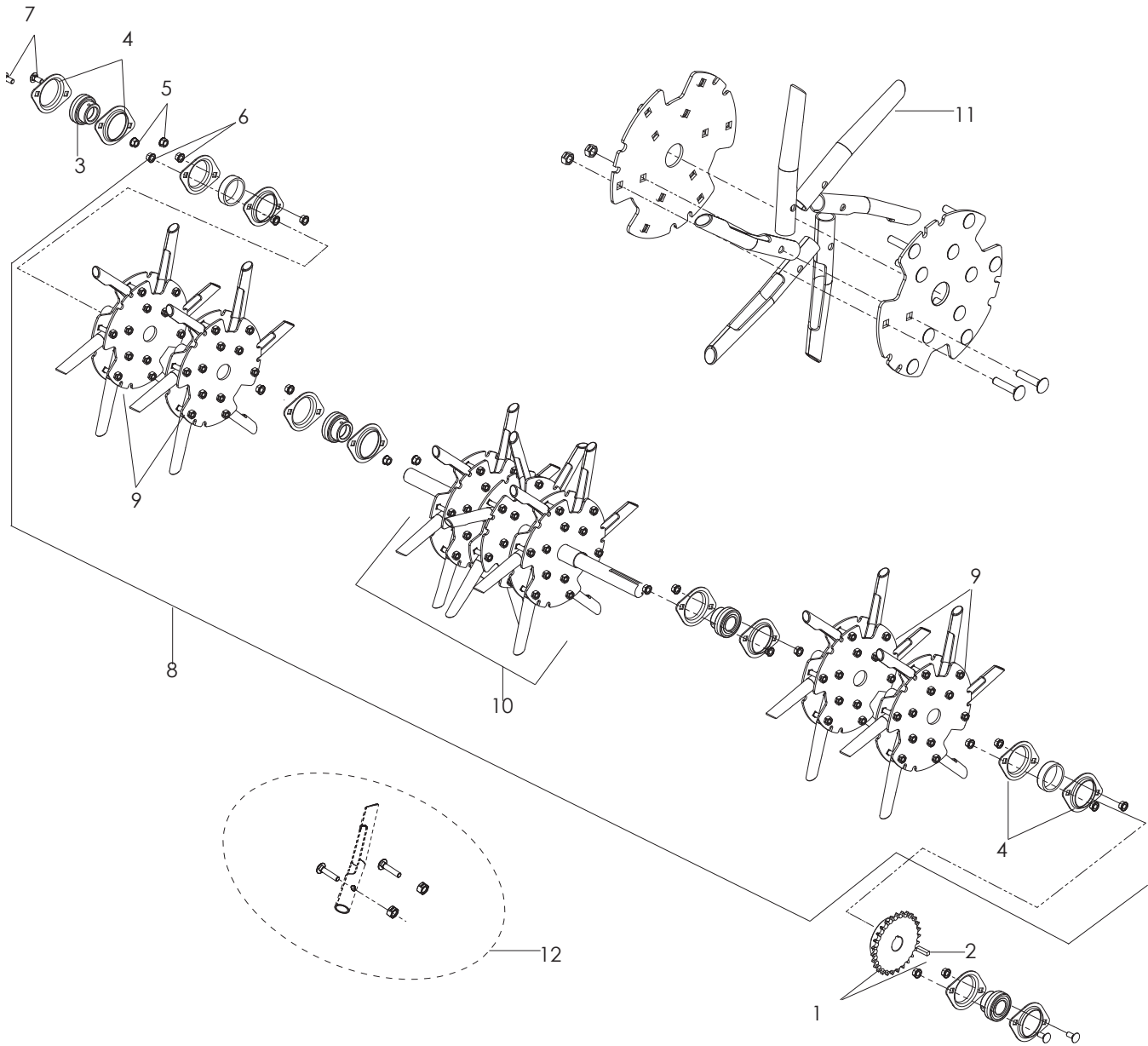
# TINES

---

ITEM	PART NO.	QTY.	DESCRIPTION	ITEM	PART NO.	QTY.	DESCRIPTION
1..	539 108580....	4	RHSNB <sup>5</sup> / <sub>16</sub> -18 x <sup>3</sup> / <sub>4</sub>	10..	539 102933..	10	RHSNB <sup>5</sup> / <sub>16</sub> -18 x 1½
2..	539 000318....	4	FLANGE, BEARING 1"	11..	539 007212....	1	FASTENER KIT (48 EACH BOLTS & NUTS)
3..	539 108787....	6	NUT <sup>5</sup> / <sub>16</sub> -18 KEP HEX		539 007103 ...	1	TINE FASTENER KIT (12 EACH BOLTS & NUTS)
4..	539 007157....	1	ROTOR SHAFT, W/O TINES	12..	539 000317....	4	BEARING 1" W/LCK COLLAR
5..	539 000303....	1	SPROCKET, ROTOR W/SET SCREWS AND KEY	13..	539 007112....	1	TINE KIT (6 TINES)
6..	539 105308....	1	KEY ¼ SQ x 1		539 007211 ...	1	TINE KIT (24 TINES)
7..	539 007639....	1	ROTOR PLATE LT				
8..	539 007640....	1	ROTOR PLATE RT				
9..	539 990184..	10	NUT <sup>5</sup> / <sub>16</sub> -18 CTRLK				

# TINES

Models AR25





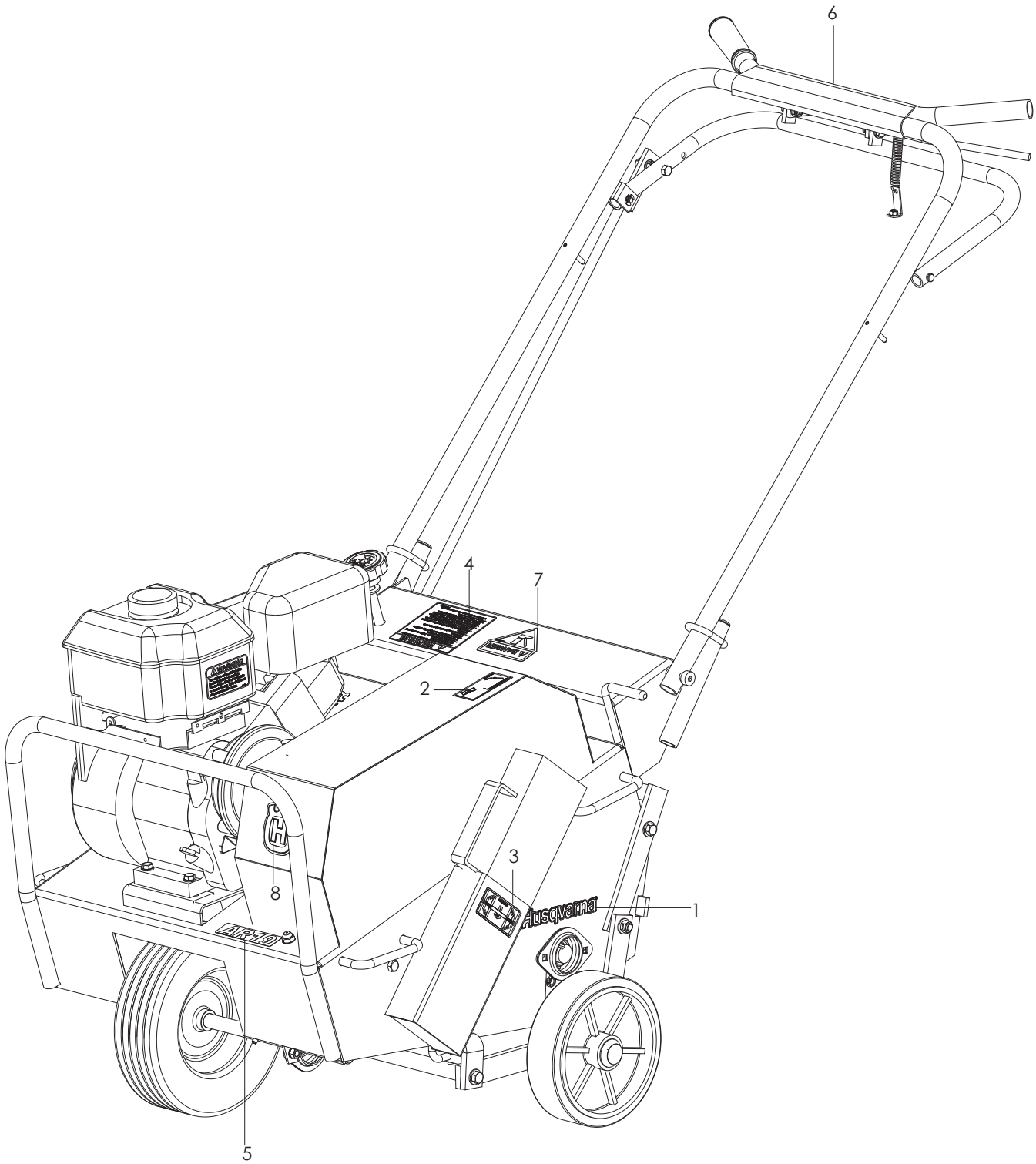
# TINES

---

ITEM	PART NO.	QTY.	DESCRIPTION	ITEM	PART NO.	QTY.	DESCRIPTION
1..	539 007418....	1	.... SPROCKET, ROTOR, w/ SET SCREWS & KEY	10..	539 007424....	1	.... CENTR TINE ROTOR SHAFT w/o TINES
2..	539 105308....	1	.... KEY, ¼ SQ x 1	11..	539 007111....	1	.... TINE SET, CLOSED SPOON, 42 EACH
3..	539 000317....	4	.... BEARING 1" w/ LCK COLLAR		539 007112 ...	7	.... TINE SET, CLOSED SPOON, 6 EACH
4..	539 000318....	4	.... FLANGE, BEARING 1"	12..	539 007102....	1	.... TINE FASTENER KIT 96 EACH BOLTS & NUTS
5..	539 108576....	4	.... WASHER <sup>5</sup> / <sub>16</sub>		539 007103 ...	7	.... TINE FASTENER KIT 12 EACH BOLTS AND NUTS
6..	539 990184....	4	.... NUT <sup>5</sup> / <sub>16</sub> -18, CTRLK				
7..	539 990316....	4	.... RHSNB <sup>5</sup> / <sub>16</sub> -18 X <sup>3</sup> / <sub>4</sub>				
8..	539 007422....	1	.... TINE ROTOR SHAFT, COMPLETE				
9..	539 007423....	2	.... OUTER ROTOR PLATE				

# DECALS

---



# DECALS

---

ITEM	PART NO.	QTY.	DESCRIPTION	ITEM	PART NO.	QTY.	DESCRIPTION
1..	532 429196....	1 ....	DECAL, HUSQVARNA	6..	540 200122....	1 ....	DECAL, AERATOR HANDLE
2..	540 200098....	1 ....	DECAL, CHAIN TENSION	7..	540 200076....	1 ....	DECAL, DANGER FOOT
3..	540 200078....	1 ....	DECAL, BARBELLS	8..	532 428676....	1 ....	DECAL, CROWN
4..	540 200027....	1 ....	DECAL, WARNING		NOT SHOWN		
5..	522 636301....	1 ....	DECAL, AR19		539 101881 ...	1 ....	DECAL, EXHAUST WARNING
	522 636302 ...	1 ....	DECAL, AR25				

