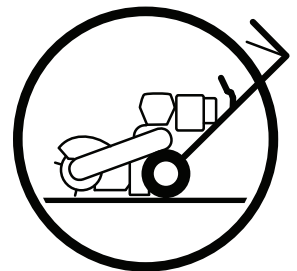


Parts Manual

SG13HB CE / 966042701

Please read the operator's manual carefully and make sure you understand the instructions before using the machine.

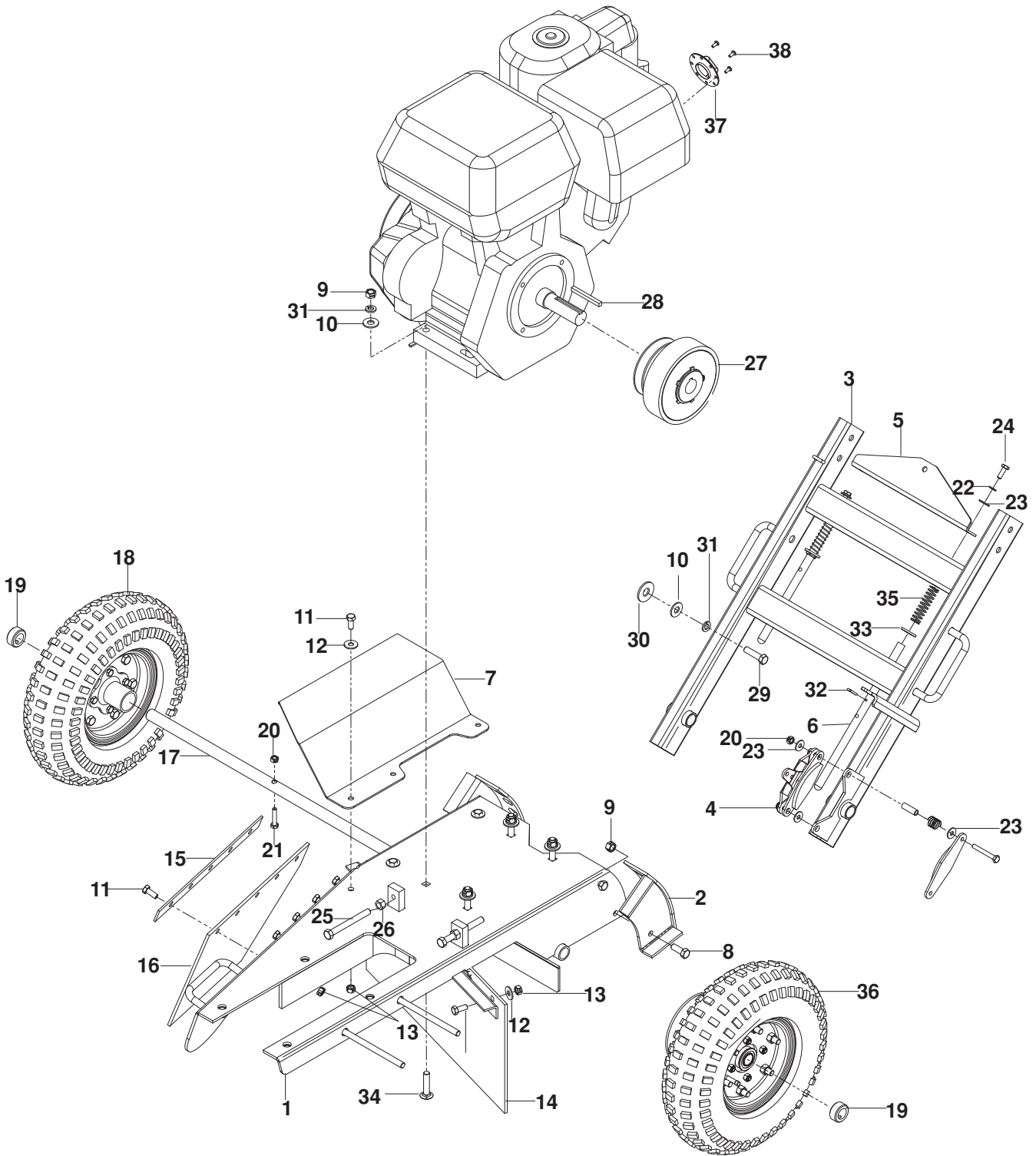


CONTENTS

FRAME.....	4	COVER & BLADE.....	10
HANDLE & CONTROLS.....	6	DECALS	12
BELT GUARD & PULLEY.....	8		

NOTE: ALL FASTENERS ARE GRADE 5 UNLESS OTHERWISE SPECIFIED.

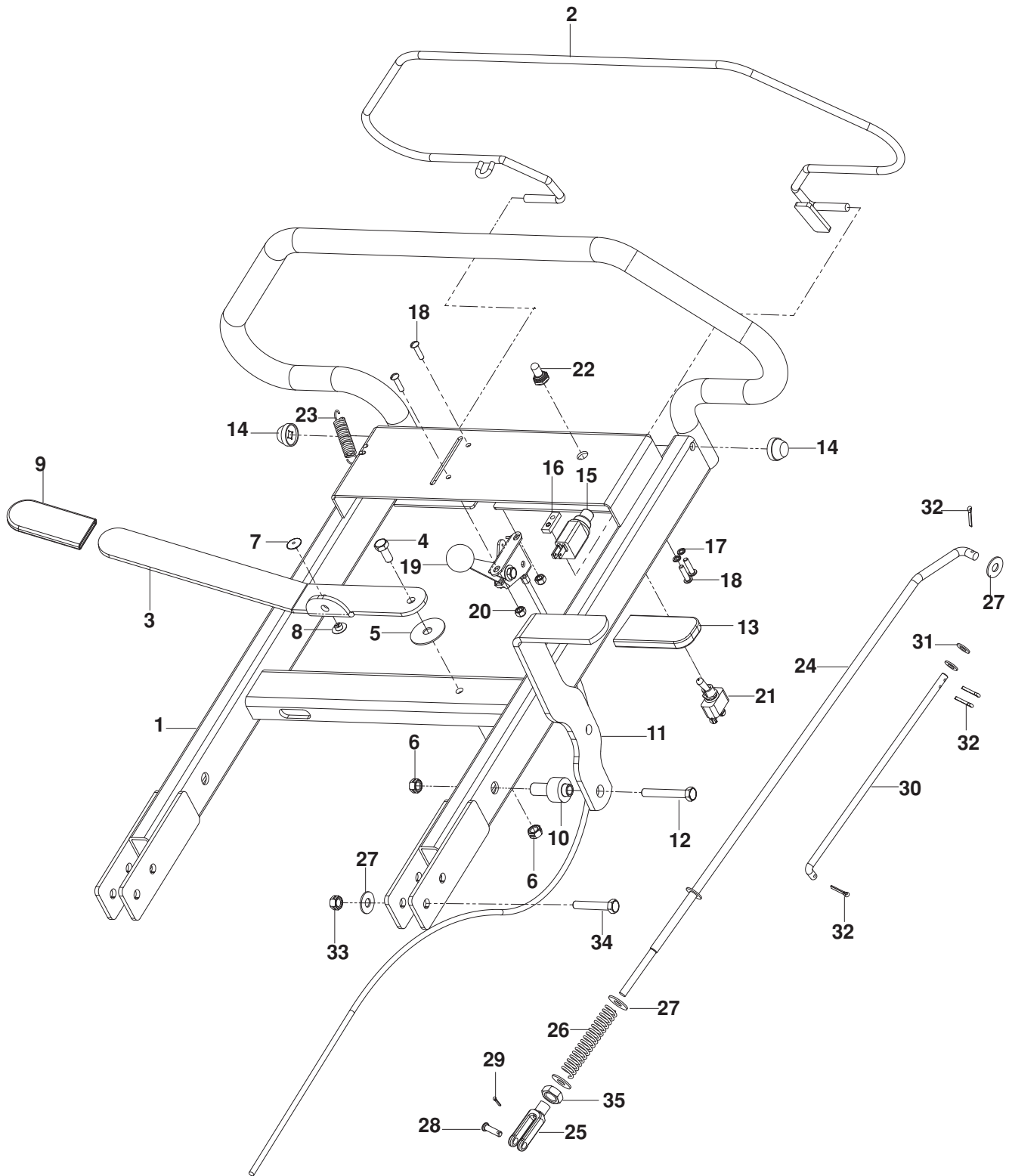
FRAME



FRAME

ITEM	PART NO.	QTY.	DESCRIPTION	ITEM	PART NO.	QTY.	DESCRIPTION
1..	539 109316....	1	DECK	25..	539 109389....	2	HCS 3/8-16 x 3 1/2 TPBLT
2..	540 200178....	2	BRACKET	26..	539 990130....	2	NUT 3/8-16
3..	539 109321....	1	HANDLE, LOWER	27..	539 020020....	1	CLUTCH -NORAM 3 SHOE
4..	539 020024....	1	BRAKE, CALIPER		505 194401 ...	1	CLUTCH-AMSBECK 2 SHOE
5..	539 108649....	1	BRACKET, HANDLE	28..	539 917033....	1	KEY 1/4 SQ x 2 1/2
6..	539 020082....	2	PIN, HANDLE ADJUSTMENT	29..	539 990164....	1	HCS 3/8-24 x 1 1/2
7..	539 109283....	1	FENDER	30..	539 109554....	1	WASHER 1/2 FLAT
8..	539 990563....	4	HCS 3/8-16 x 1	31..	539 990118....	5	WASHER 3/8 SPLIT LK
9..	539 990546....	8	NUT 3/8-16 CNTRLK	32..	539 990365....	2	PIN, COTTER 1/8 x 3/4
10..	539 990517....	9	WASHER 3/8 FLAT STD	33..	539 990250....	2	WASHER 1/2, SAE
11..	539 976934....	14	HCS 5/16-18 x 3/4	34..	539 990923....	4	RHSNB 3/8-16 x 1 3/4
12..	539 990692....	9	WASHER 5/16	35..	539 020034....	2	SPRING, COMPRESSION
13..	539 990184....	14	NUT 5/16-18 CNTRLK	36..	539 020074....	1	WHEEL w/ DISC
14..	539 020094....	1	DEFLECTOR, REAR	37..	539 020092....	1	DEFLECTOR, EXHAUST
15..	539 200781....	1	STRAP, DEFLECTOR	38..	539 108495....	3	SCREW #8-32 x 3/8
16..	539 020084....	1	DEFLECTOR, SIDE				NOT SHOWN
17..	539 020085....	1	AXLE		539 109299 ...	1	WIRE HARNESS, ENGINE FOR NORAM CLUTCH
18..	540 020025....	1	WHEEL, RT		539 110762 ...	1	KIT, SNAP RINGS & BRGS
19..	539 020028....	2	SET COLLAR, 3/4"		539 110763 ...	1	KIT, CLUTCH SHOE / SPRGS FOR AMSBECK CLUTCH
20..	539 990761....	3	NUT 1/4-20 CNTRLK		505 246401 ...	1	KIT, CLUTCH SHOE
21..	539 100266....	1	HCS 1/4-20 x 1 1/4				
22..	539 990052....	2	LOCKWASHER 1/4				
23..	539 990598....	6	WASHER 1/4				
24..	539 990580....	2	HCS 1/4-20 x 3/4				

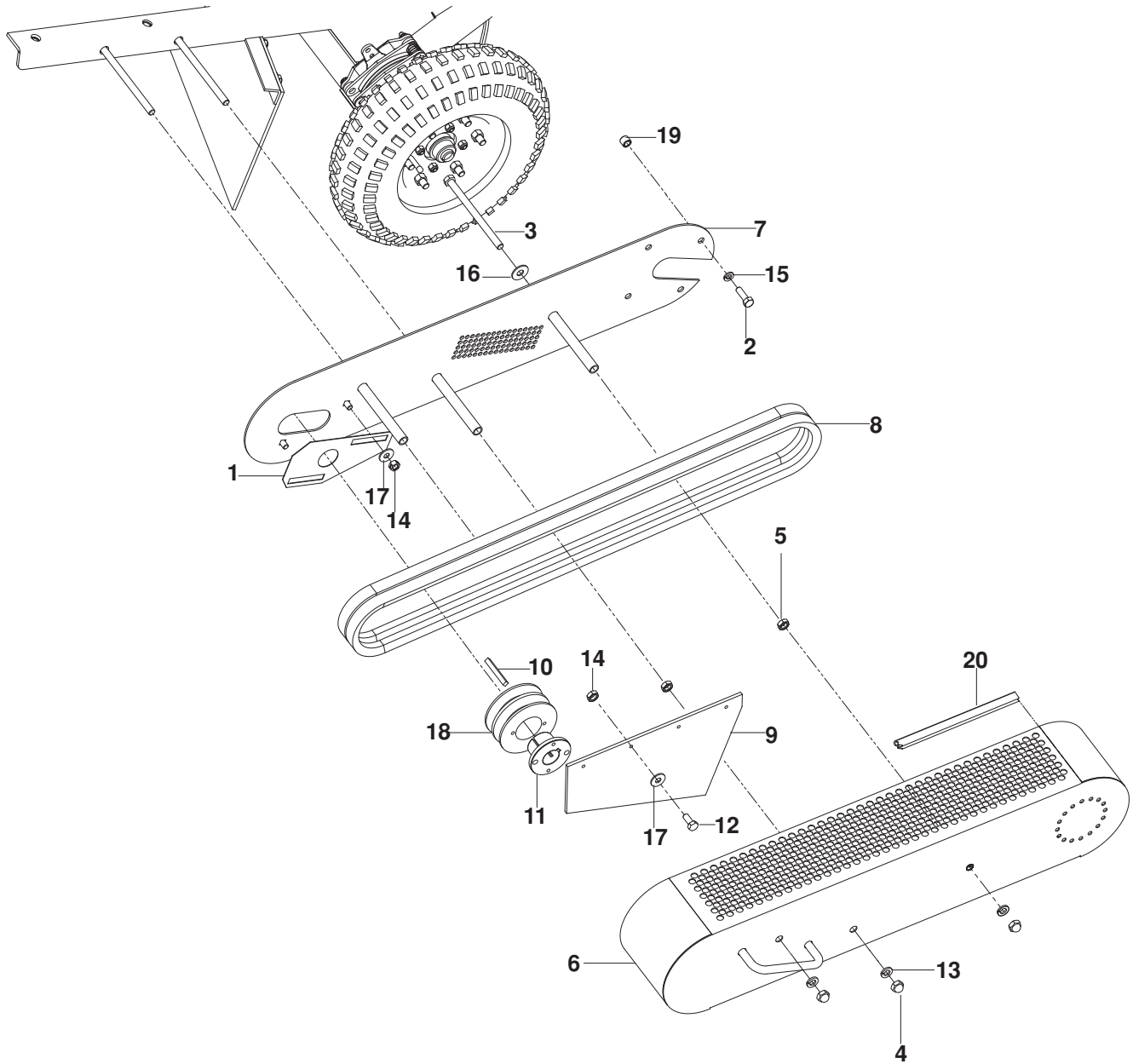
HANDLE & CONTROLS



HANDLE & CONTROLS

ITEM	PART NO.	QTY.	DESCRIPTION	ITEM	PART NO.	QTY.	DESCRIPTION
1..	539 109319....	1 HANDLE UPPER	20..	539 976977....	2 NUT #10-24 NYLOC
2..	539 130818....	1 BAIL	21..	539 020016....	1 SWITCH, TOGGLE
3..	539 108647....	1 HANDLE, POSITION ADJ	22..	539 020041....	1 BOOT, TOGGLE SWITCH
4..	539 976934....	1 HCS ⁵ / ₁₆ -18 x ³ / ₄	23..	539 020035....	1 SPRING
5..	539 102998....	1 WASHER, FRICTION	24..	539 108992....	1 ROD, PARK BRAKE
6..	539 990184....	2 NUT ⁵ / ₁₆ -18 CNTRLK	25..	539 976481....	1 YOKE, ⁵ / ₁₆
7..	539 109089....	1 RIVET, SNAP, MALE	26..	539 100102....	1 SPRING
8..	539 109090....	1 RIVET, SNAP, FEMALE	27..	539 990517....	7 WASHER ³ / ₈ FLAT STD
9..	539 110865....	1 GRIP	28..	539 108975....	1 PIN, CLEVIS ¹ / ₄ x ⁷ / ₈
10..	539 109279....	1 BUSHING, STEP ³ / ₄ ID	29..	539 976988....	1 HAIRPIN COTTER
11..	539 108995....	1 HANDLE, WHEEL BRAKE	30..	539 108648....	1 ROD
12..	539 976938....	1 HCS ⁵ / ₁₆ -18 x 2 ¹ / ₄	31..	539 990188....	2 WASHER ⁵ / ₁₆ SAE
13..	539 108996....	1 GRIP, PARK BRAKE	32..	539 990365....	4 PIN, COTTER ¹ / ₈ x ³ / ₄
14..	539 108792....	2 NUT ⁵ / ₁₆ PUSH CAP	33..	539 990546....	4 NUT ³ / ₈ -16 CNTRLK
15..	539 020017....	1 SWITCH, NC	34..	539 990588....	4 HCS ³ / ₈ -16 x 2
16..	539 102678....	1 PLATE, TAPPED	35..	539 110943....	1 NUT ⁵ / ₁₆ -24 NYLOC
17..	539 109552....	2 LOCKWASHER #10	NOT SHOWN			
18..	539 108535....	4 SCREW #10-24 x ³ / ₄		539 976856	5 WIRE TIE
19..	539 020023....	1 THROTTLE CNTRL w/ KNOB		539 109298	1 WIRE HARNESS

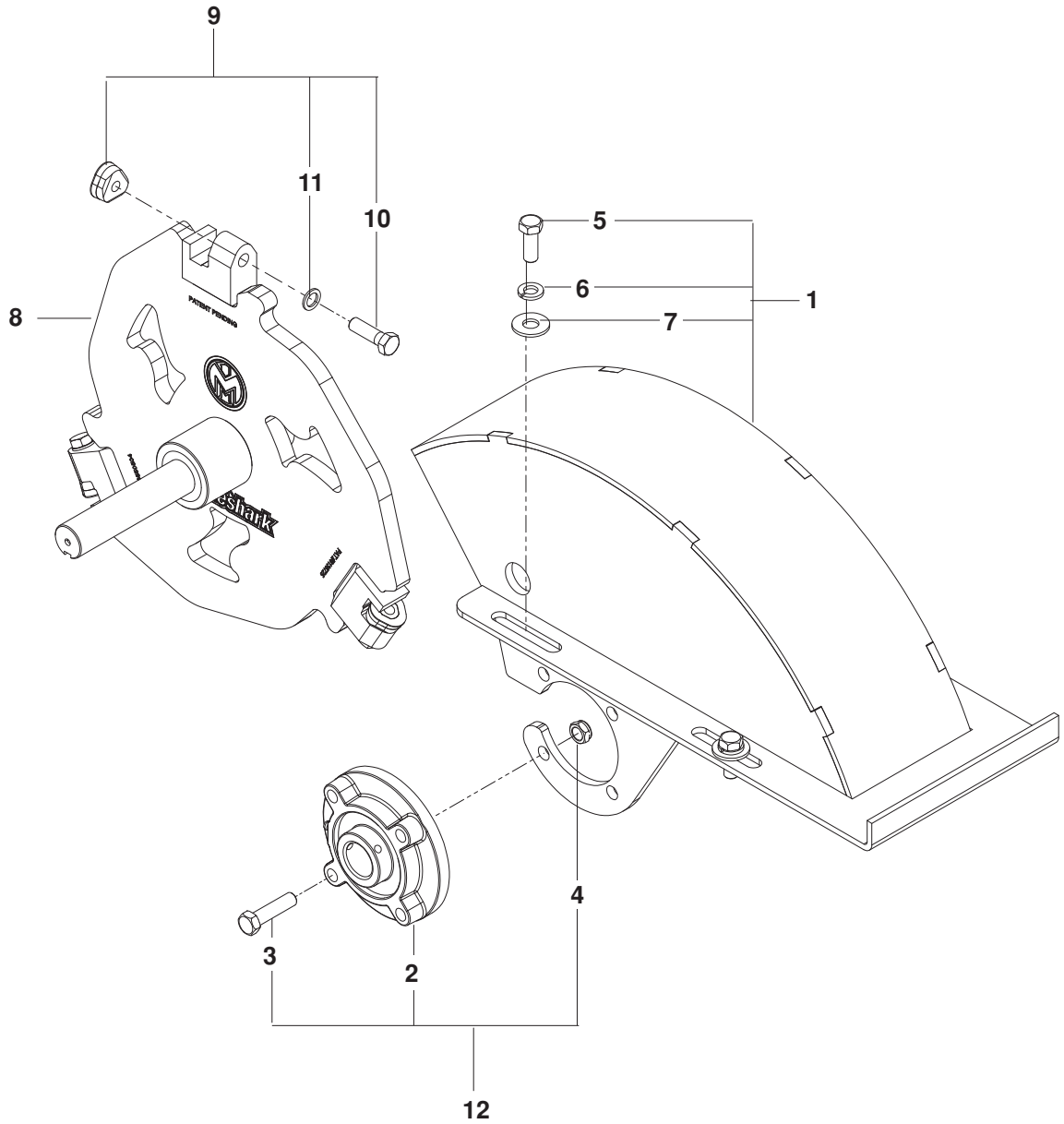
BELT GUARD & PULLEY



BELT GUARD & PULLEY

ITEM	PART NO.	QTY.	DESCRIPTION	ITEM	PART NO.	QTY.	DESCRIPTION
1..	539 108213....	1 PLATE COVER	11..	539 923381....	1 BUSHING, TAPERLOCK
2..	539 108398....	4 HCS $\frac{5}{16}$ -24 x 1	12..	539 976934....	4 HCS $\frac{5}{16}$ -18 x $\frac{3}{4}$
3..	539 108505....	1 HCS $\frac{3}{4}$ -16 x $5\frac{1}{2}$	13..	539 990118....	3 WASHER $\frac{3}{8}$ SPLIT LK
4..	539 108746....	3 NUT $\frac{3}{8}$ -16 ACORN	14..	539 990184....	6 NUT $\frac{5}{16}$ -18 CNTRLK
5..	539 109332....	3 NUT $\frac{3}{8}$ -16 JAM	15..	539 990187....	4 WASHER $\frac{5}{16}$ SLW
6..	539 112298....	1 COVER, BELT, w/ TRIM	16..	539 990517....	1 WASHER $\frac{3}{8}$ FLAT STD
7..	540 200350....	1 BACK PLATE, BELT GUARD	17..	539 990692....	6 WASHER $\frac{5}{16}$
8..	539 200751....	1 BELT, SET OF 2	18..	539 111142....	1 PULLEY, TAPERLOCK
9..	539 020089....	1 DEFLECTOR, LEFT SIDE	19..	539 102827....	1 SPACER, PULLEY
10..	539 910210....	1 KEY $\frac{1}{4}$ SQ x 2	20..	539 112294....	1 TRIM, FLEX

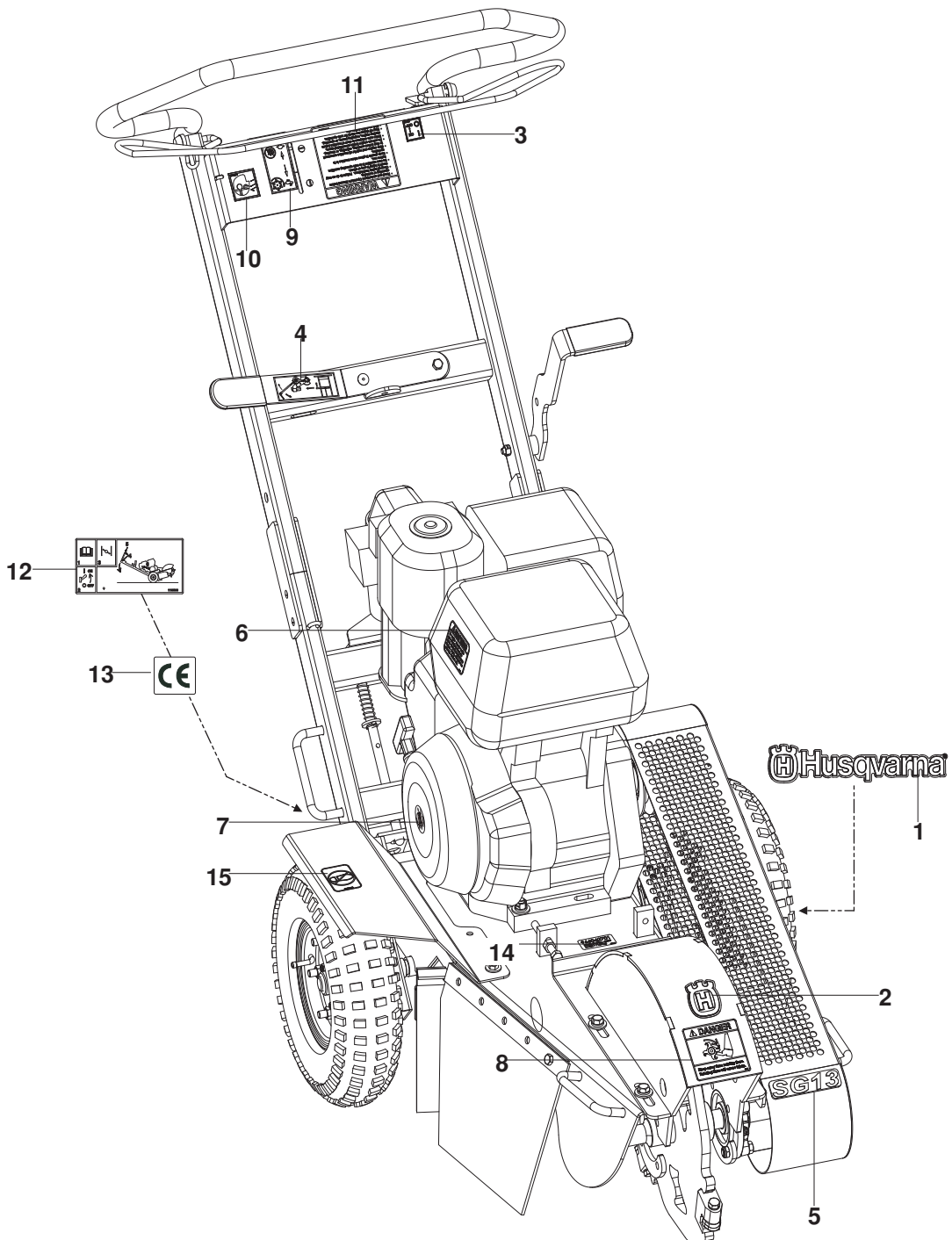
COVER & BLADE



COVER & BLADE

ITEM	PART NO.	QTY.	DESCRIPTION	ITEM	PART NO.	QTY.	DESCRIPTION
1..	540 020225....	1	SHROUD ASSY w/DECAL	9..	525 435301....	1	KIT, TOOTH (STANDARD)
2..	539 020027....	2	BEARING		525 435302 ...	1	KIT, TOOTH (SAND & CLAY)
3..	539 990655....	8	HCS $\frac{3}{8}$ -16 x 1 $\frac{1}{2}$		525 435303 ...	1	KIT, TOOTH (ROCK)
4..	539 200282....	8	NUT, $\frac{3}{8}$ -16, JAM NYLOC	10..	525 435401....	1	HCS $\frac{3}{8}$ -16 x 1 $\frac{1}{4}$
5..	539 990563....	4	HCS $\frac{3}{8}$ -16 x 1	11..	525 435501....	1	WASHER, $\frac{3}{8}$ SPRING
6..	539 990118....	4	WASHER $\frac{3}{8}$ SPLIT LK	12..	539 020226....	1	KIT, BEARING
7..	539 990517....	4	WASHER $\frac{3}{8}$ FLAT STD				
8..	525 435201....	1	WHEEL, COMPLETE				

DECALS



DECALS

ITEM	PART NO.	QTY.	DESCRIPTION	ITEM	PART NO.	QTY.	DESCRIPTION
1..	532 429196....	1	DECAL, LOGO	9..	539 200829....	1	DECAL, THROTTLE
2..	532 428676....	1	DECAL, CROWN	10..	540 200126....	1	DECAL, EAR/EYE WARN
3..	539 200830....	1	DECAL, ON/OFF	11..	540 200027....	1	DECAL, CAUTION LIST
4..	539 108987....	1	DECAL, HANDLE ADJ	12..	539 110590....	1	DECAL, OPERATION
5..	525 456101....	1	DECAL, SG13	13..	539 107311....	1	DECAL, CE
6..	539 101881....	1	DECAL, PROP 65	14..	525 475101....	1	DECAL, CE966042701
7..	539 105743....	1	DECAL, NO STEP	15..	539 108173....	1	DECAL, STARTER-HONDA
8..	539 008369....	1	DECAL, DANGER FOOT				

