



Parts Manual

RZ3016 CA / 966503701

Please read the operator's manual carefully and make sure you understand the instructions before using the machine.

When you need spare parts or support in service questions, warranty issues, etc., please consult the following professional:

This Parts Manual belongs to the machine with the manufacturing number:	Engine	Transmission

Manufacturing Number

The machine's manufacturing number can be found on the printed plate affixed to the engine compartment. Illustration shown with engine removed.

Stated on the plate, from the top are:

- The machine's type designation (I.D.).
- The manufacturer's type number (Model).
- The machine's serial number (Serial no.)

Please have the type designation and serial number available when ordering spare parts.

The engine's manufacturing number is stamped on one of the valve covers.

The plate states:

- The engine's model.
- The engine's type.
- Code

Please have these available when ordering spare parts.

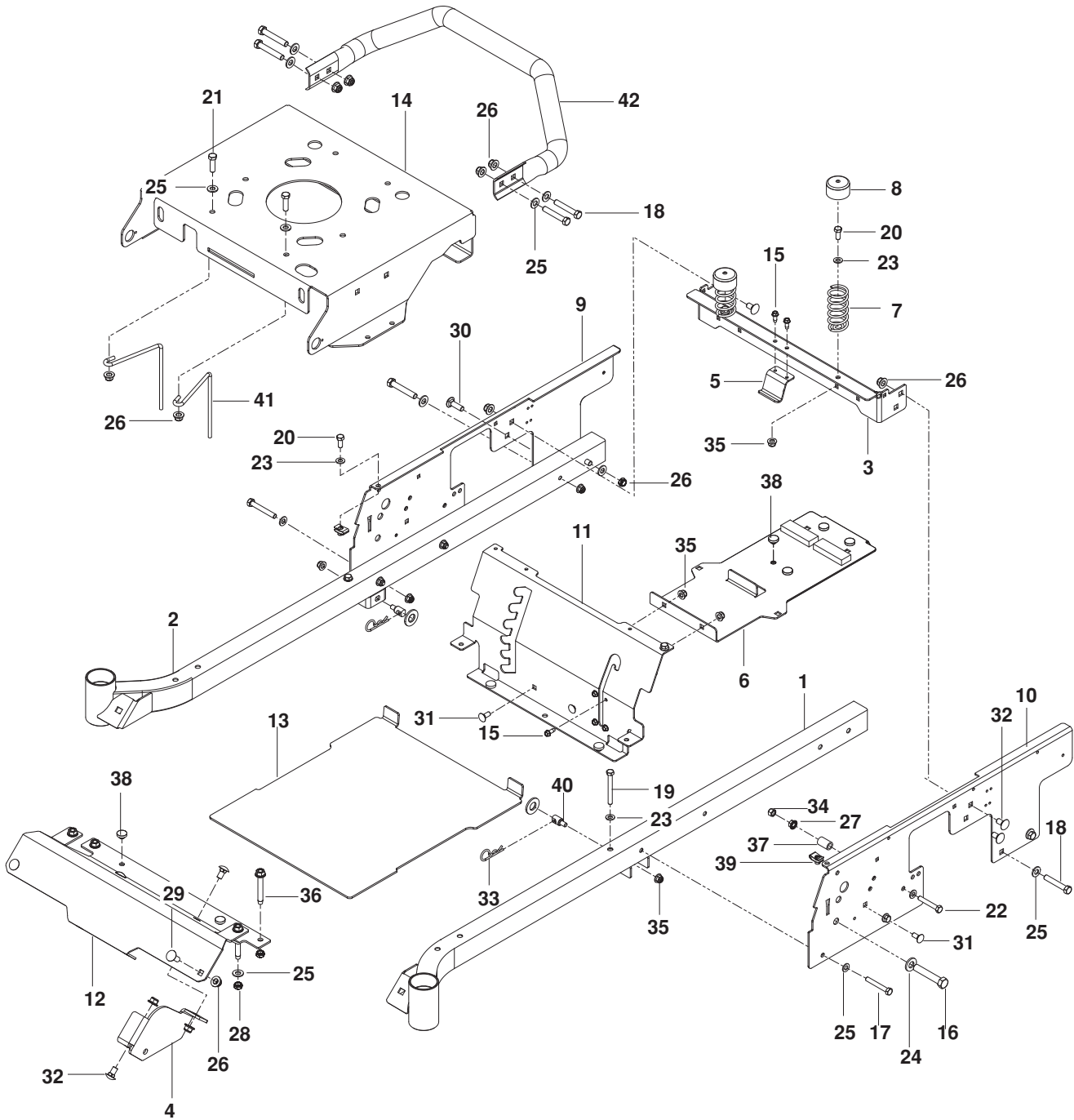
The wheel motors and hydrostatic pumps have a barcode decal affixed at the rear.

CONTENTS

FRAME.....	4	WHEELS / TIRES	14
ENGINE PLATE.....	6	BRAKE / DECK LIFT	16
STEERING	8	MOWER DECK / CUTTING DECK.....	18
IGNITION SYSTEM	10	SEAT	20
HYDRAULIC PUMP / MOTOR	12	DECALS.....	22

NOTE: ALL FASTENERS ARE GRADE 5 UNLESS OTHERWISE SPECIFIED.

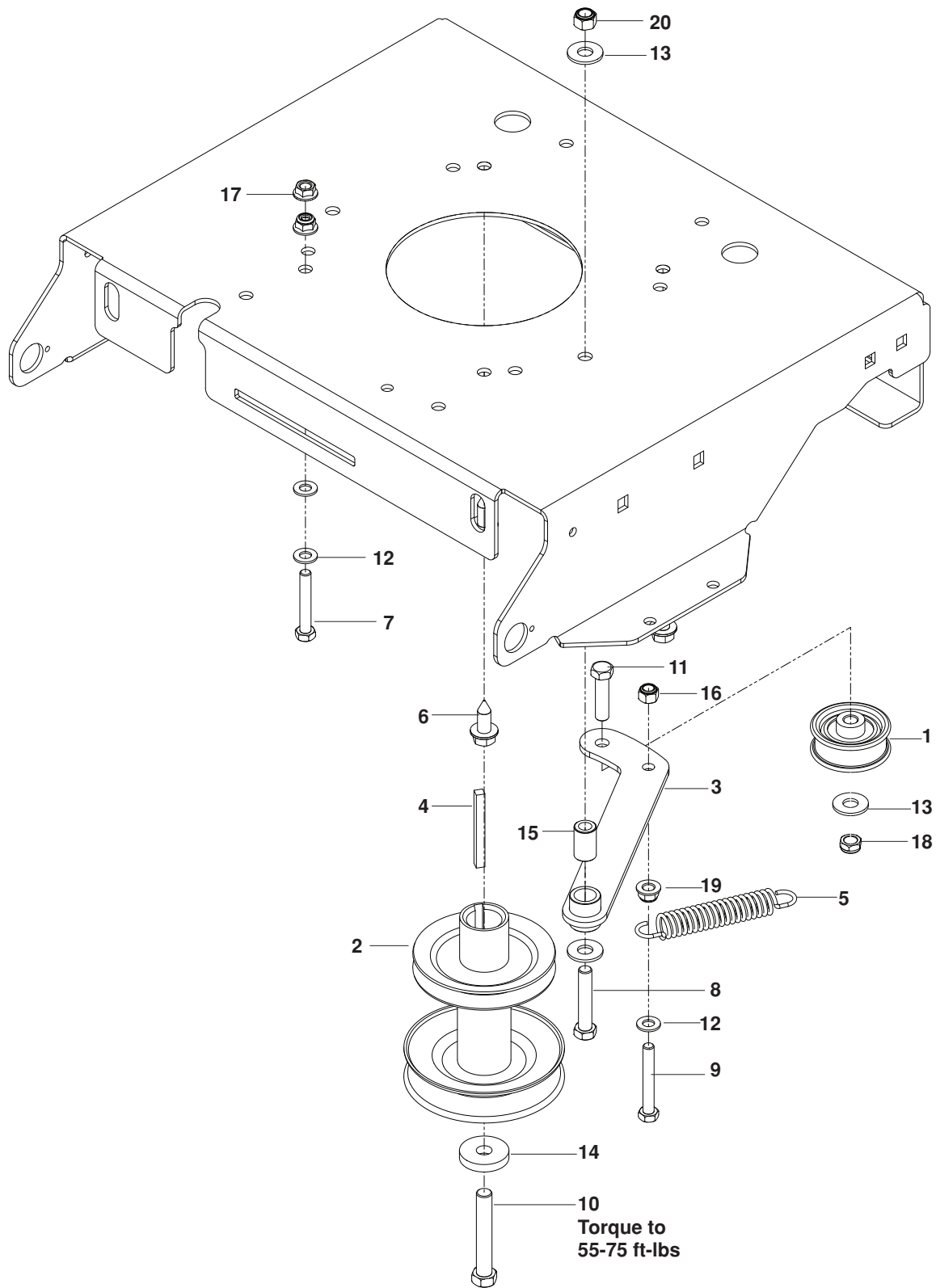
FRAME



FRAME

ITEM	PART NO.	QTY.	DESCRIPTION	ITEM	PART NO.	QTY.	DESCRIPTION
1..	525 454702....	1 FRAME TUBE, LH ORG	22..	539 976937....	2 HCS $\frac{5}{16}$ -18 x 2
2..	525 454902....	1 FRAME TUBE, RH ORG	23..	539 990188..	12 WASHER $\frac{5}{16}$ SAE FLAT
3..	525 464602....	1 SUPPORT, REAR SEAT ORG	24..	539 990250....	6 WASHER $\frac{1}{2}$ SAE
4..	525 605502....	1 BRACKET, FRONT DECK BLK	25..	539 990122....	8 WASHER $\frac{3}{8}$ SAE FLT
5..	525 864502....	1 BRACKET, FUEL TANK BLK	26..	521 996501..	14 NUT $\frac{3}{8}$ -16 FLANGE NYLOC
6..	525 798402....	1 SUPPORT, TANK BLK	27..	539 990585....	4 NUT $\frac{5}{16}$ -18 HEX WHIZLK
7..	539 122632....	2 SPRING, SEAT	28..	539 200282....	4 NUT $\frac{3}{8}$ -16 HEX JAM NYLOC
8..	539 119884....	2 CAP, SPRING	29..	539 990645....	2 RHSNB $\frac{3}{8}$ -16 x 1
9..	575 328302....	1 PLATE, LH ORG	30..	539 100413....	1 RHSNB $\frac{3}{8}$ -16 x $1\frac{1}{4}$
10..	575 328402....	1 PLATE, RH ORG	31..	539 990316....	4 RHSNB $\frac{5}{16}$ -18 x $\frac{3}{4}$
11..	575 852102....	1 PANEL, SEAT SUPPORT ORG	32..	539 111785....	6 RHSNB $\frac{3}{8}$ -16 x $\frac{3}{4}$
12..	525 835902....	1 FOOT REST ORG	33..	539 976989....	2 HAIRPIN
13..	525 455102....	1 FOOT PLATE ORG	34..	539 990717....	8 NUT $\frac{5}{16}$ -18 HEX NYLOC
14..	525 462603....	1 PLATE, ENGINE ORG	35..	539 112899..	14 NUT $\frac{5}{16}$ -18 FLANGE NYLOC
15..	539 990362....	6 SCREW $\frac{1}{4}$ -20 x $\frac{5}{8}$ SLF TAP	36..	539 111976....	4 BOLT $\frac{3}{8}$ -16 x $2\frac{5}{8}$ THD FRM
16..	539 101332....	2 HCS $\frac{1}{2}$ -13 x $2\frac{3}{4}$	37..	539 119087....	2 BUSHING
17..	539 976938....	4 HCS $\frac{5}{16}$ -18 x $2\frac{1}{4}$	38..	539 102587....	8 GROMMET, BUMPER
18..	539 990629....	8 HCS $\frac{3}{8}$ -16 x $2\frac{1}{4}$	39..	539 104763....	4 RETAINER, U TYPE
19..	539 101721....	2 HCS $\frac{5}{16}$ -18 x $2\frac{3}{4}$	40..	532 195161....	2 STUD w/ ANTI-ROTATE
20..	539 976934....	4 HCS $\frac{5}{16}$ -18 x $\frac{3}{4}$	41..	574 172901....	2 GUIDE, BELT
21..	539 976941....	2 HCS $\frac{3}{8}$ -16 x $1\frac{1}{4}$	42..	525 865902....	1 BAR, IMPACT ORG

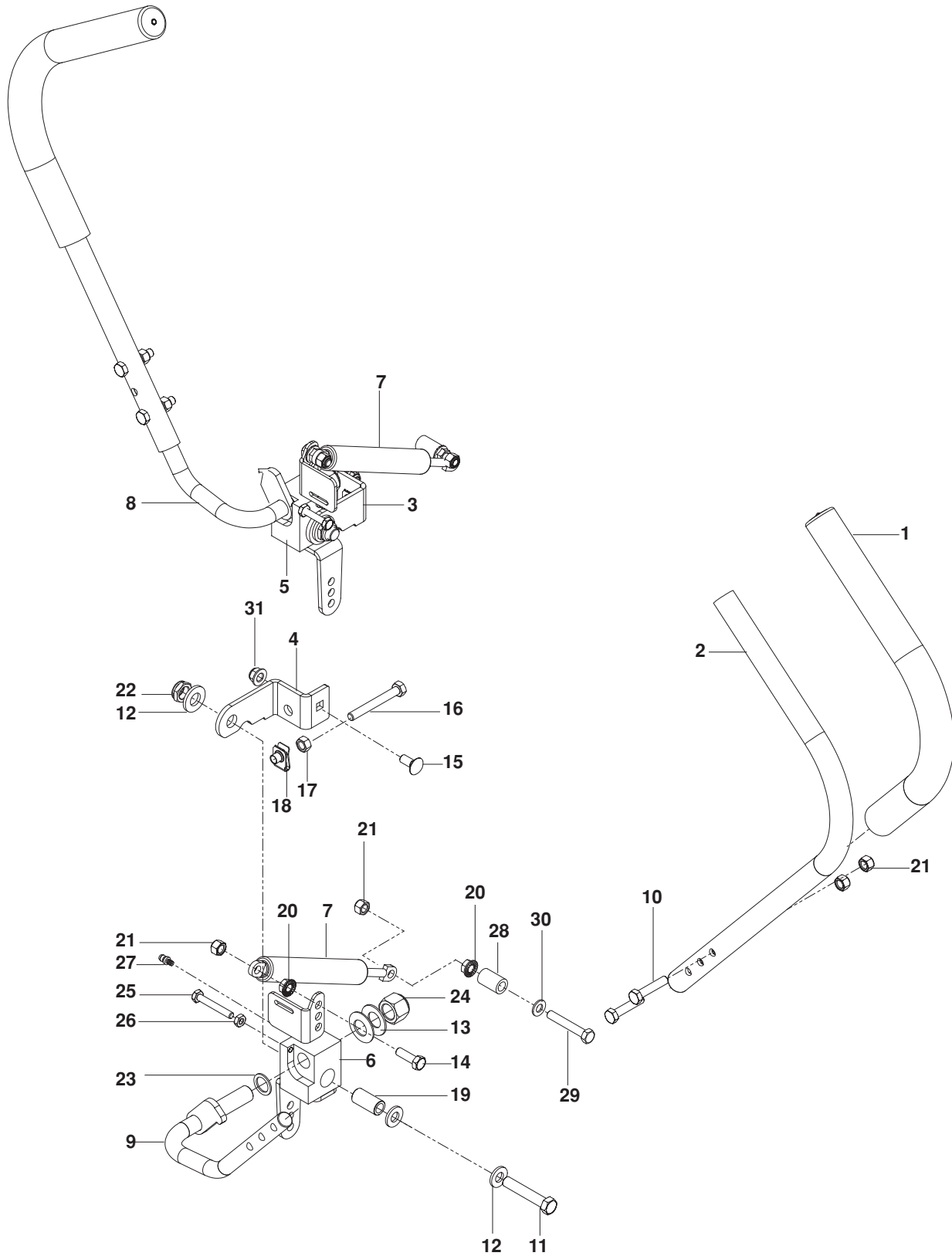
ENGINE PLATE



ENGINE PLATE

ITEM	PART NO.	QTY.	DESCRIPTION	ITEM	PART NO.	QTY.	DESCRIPTION
1..	539 120812....	1PULLEY, IDLER	11..	539 990655....	1HCS $\frac{3}{8}$ -16 x 1 $\frac{1}{2}$
2..	574 872801....	1PULLEY, ENGINE	12..	539 990188....	3WASHER $\frac{5}{16}$ SAE FLAT
3..	539 120990....	1IDLER, BLK	13..	539 990517....	3WASHER $\frac{3}{8}$ FLAT STD
4..	539 917033....	1KEY $\frac{1}{4}$ SQ x 2 $\frac{1}{2}$ LG	14..	539 115546....	1WASHER
5..	539 116350....	1SPRING 3 $\frac{1}{2}$	15..	539 115270....	1BUSHING, METAL
6..	532 120616....	3SCREW $\frac{3}{8}$ -16 x 1 THD FRM	16..	539 990717....	1NUT $\frac{5}{16}$ -18 HEX NYLOC
7..	539 976937....	1HCS $\frac{5}{16}$ -18 x 2	17..	539 990585....	1NUT $\frac{5}{16}$ -18 HEX WHIZLK
8..	539 990588....	1HCS $\frac{3}{8}$ -16 x 2	18..	539 200282....	1NUT $\frac{3}{8}$ -16 HEX JAM NYLOC
9..	539 976938....	1HCS $\frac{5}{16}$ -18 x 2 $\frac{1}{4}$	19..	539 112899....	2NUT $\frac{5}{16}$ -18 FLANGE NYLOC
10..	539 110065....	1HCS $\frac{7}{16}$ -20 x 2 $\frac{3}{4}$	20..	539 976979....	1NUT $\frac{3}{8}$ -16 HEX NYLOC

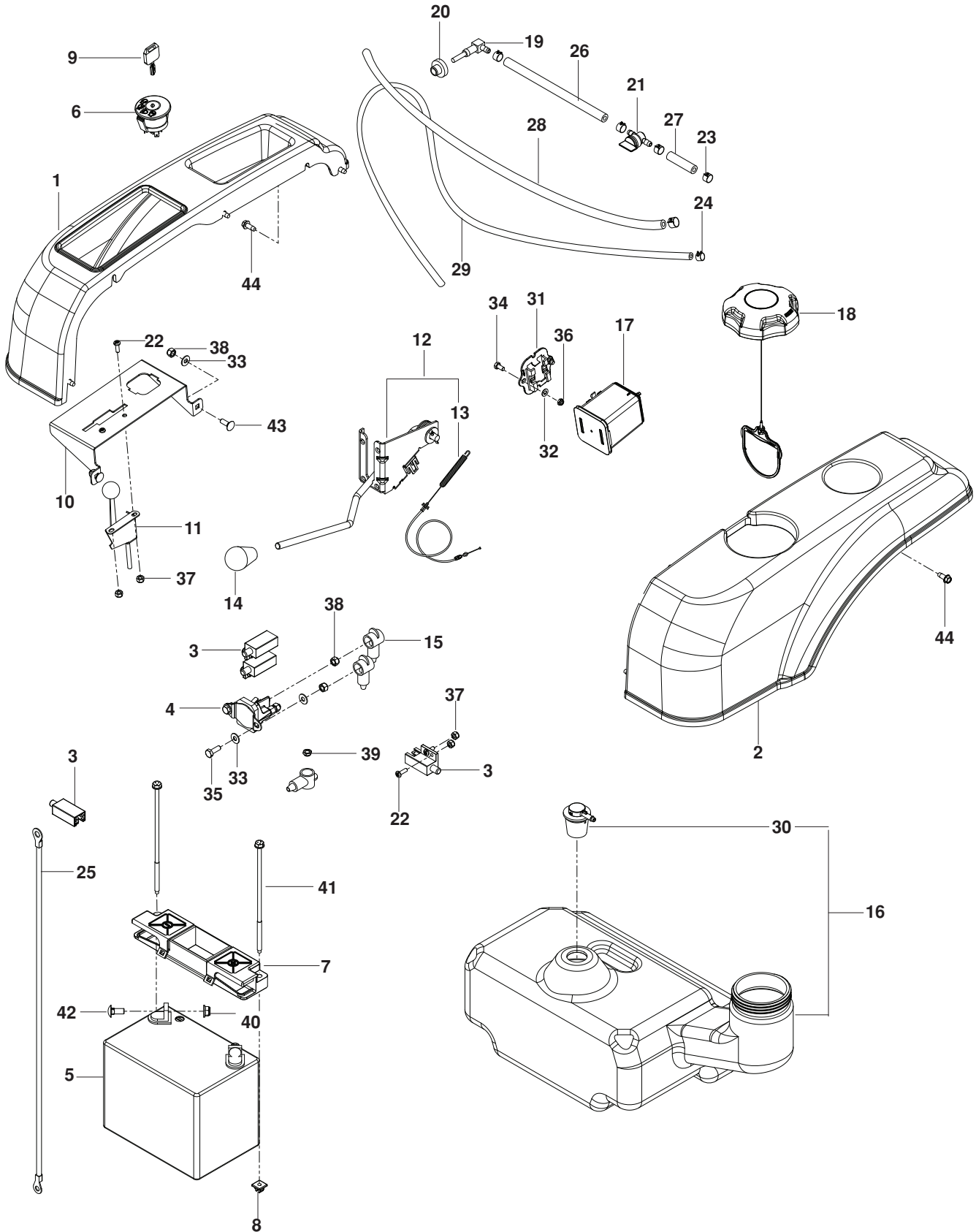
STEERING



STEERING

ITEM	PART NO.	QTY.	DESCRIPTION	ITEM	PART NO.	QTY.	DESCRIPTION
1..	539 120899....	2	GRIP	17..	539 990196....	2	NUT, $\frac{5}{16}$ -18 HEX
2..	539 120160....	2	LEVER, UPPER	18..	539 104763....	2	RETAINER, U TYPE
3..	539 117949....	1	STOP, STEER CNTRL RH	19..	539 120956....	2	BUSHING $\frac{1}{2}$ ID x $\frac{3}{4}$ OD
4..	539 117950....	1	STOP, STEER CNTRL LH	20..	539 990585....	4	NUT $\frac{5}{16}$ -18 HEX WHIZLK
5..	539 120984....	1	PIVOT, RH	21..	539 990717....	4	NUT $\frac{5}{16}$ -18 HEX NYLOC
6..	539 120983....	1	PIVOT, LH	22..	539 108010....	2	NUT $\frac{1}{2}$ -13 JAM NYLOC GR 2
7..	539 114453....	2	DAMPENER	23..	539 115570....	2	WASHER, SPECIAL
8..	539 120159....	1	LOWER LEVER, RH	24..	539 110340....	2	NUT $\frac{5}{8}$ -11 NYLOC
9..	539 120162....	1	LOWER LEVER, LH	25..	539 991003....	2	HCS $\frac{1}{4}$ -20 x $1\frac{3}{4}$
10..	539 976935....	4	HCS $\frac{5}{16}$ -18 x $1\frac{1}{2}$	26..	539 991112....	2	NUT $\frac{1}{4}$ -20 JAM
11..	539 101332....	2	HCS $\frac{1}{2}$ -13 x $2\frac{3}{4}$	27..	539 115638....	2	ZERK
12..	539 990250....	6	WASHER $\frac{1}{2}$ SAE	28..	539 119087....	2	BUSHING
13..	539 911121....	4	WASHER $\frac{5}{8}$ BELLEVILLE	29..	539 976937....	2	HCS $\frac{5}{16}$ -18 x 2
14..	539 990209....	2	HCS $\frac{5}{16}$ -18 x 1	30..	539 990188....	2	WASHER $\frac{5}{16}$ SAE FLT
15..	539 990316....	2	RHSNB $\frac{5}{16}$ -18 x $\frac{3}{4}$	31..	539 112899....	2	NUT $\frac{5}{16}$ -18 FLG HEX NYLOC
16..	539 108396....	2	HCS $\frac{5}{16}$ -18 x $2\frac{1}{2}$				

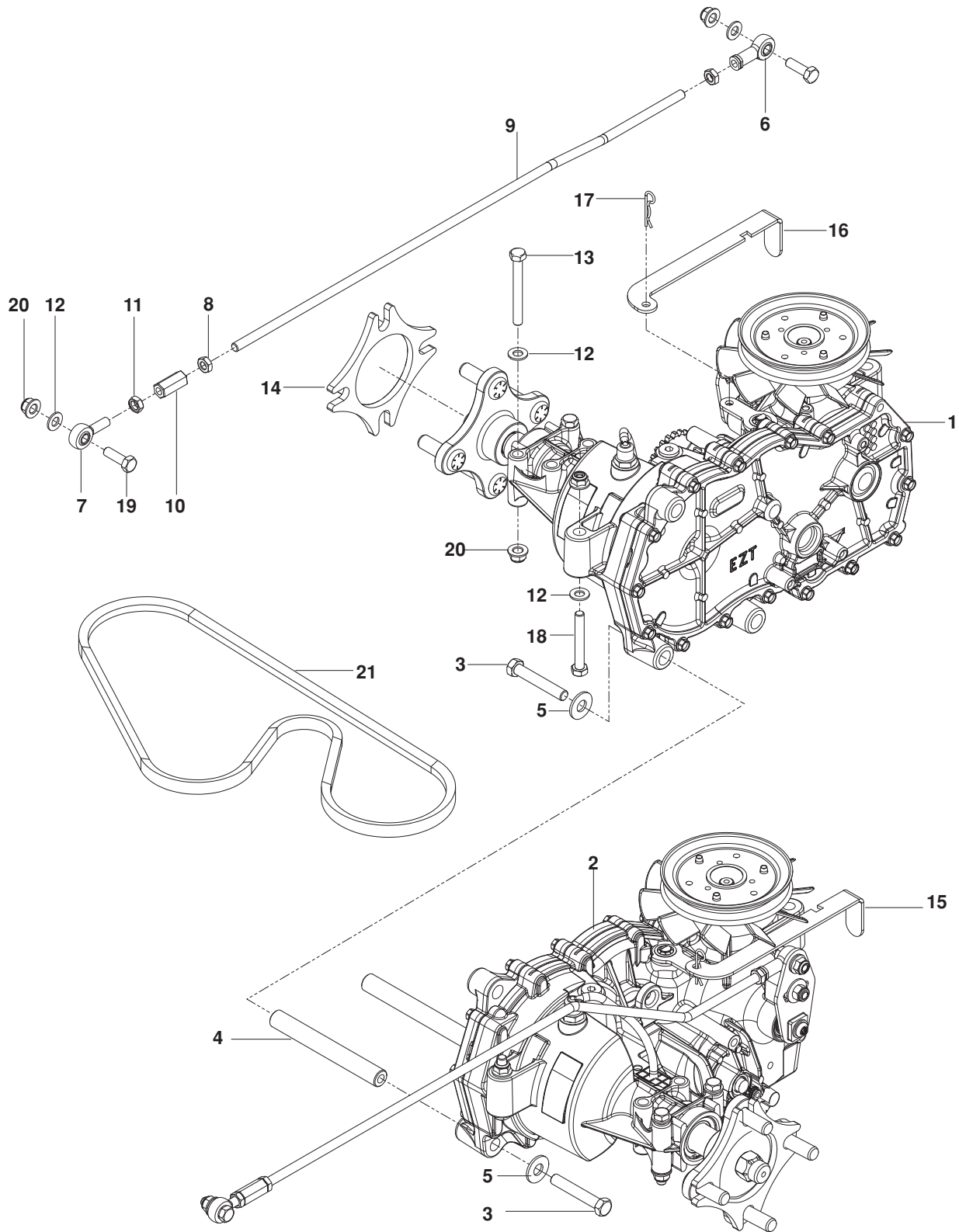
IGNITION SYSTEM



IGNITION SYSTEM

ITEM	PART NO.	QTY.	DESCRIPTION	ITEM	PART NO.	QTY.	DESCRIPTION
1..	525 594701....	1 FENDER, RH	26..	539 115736....	1 HOSE ¼ x 8
2..	525 594702....	1 FENDER, LH	27..	539 121486....	1 HOSE, ¼ x 2
3..	539 101080....	4 SWITCH	28..	539 110424....	2 FUEL LINE 24"
4..	539 101714....	1 SOLENOID	29..	575 437801....	1 FUEL LINE 46"
5..	539 102436....	1 BATTERY	30..	532 414112....	1 VALVE, ROLLOVER
6..	539 107541....	1 SWITCH, IGNITION	31..	575 242701....	1 BRACKET, CANISTER
7..	539 107628....	1 BATTERY HOLD DOWN	32..	539 990188....	2 WASHER 5/16 SAE FLAT
8..	539 107629....	2 NUT ¼ PUSH NYLON	33..	539 990055....	2 WASHER ¼ FLAT SAE
9..	539 107544....	1 KEY, IGNITION	34..	539 108392....	2 HCS 5/16-18 x 5/8
10..	525 598601....	1 MOUNT, CONTROLS BLK	35..	539 990580....	2 HCS ¼-20 x ¾
11..	522 730101....	1 CABLE, THROTTLE	36..	539 115617....	2 NUT 5/16-18 HEX NYL INSERT
12..	575 661501....	1 CLUTCH ASSY w/ CABLE	37..	539 976977....	4 NUT #10-24 HEX NYLOC
13..	532 193235....	1 CABLE, CLUTCH	38..	539 976978....	4 NUT ¼-20 HEX NYLOC
14..	539 132624....	1 KNOB, CLUTCH	39..	539 108120....	1 NUT ¼-20 HEX THIN NYLOC
15..	539 116400....	3 TERMINAL COVER, SM	40..	539 112899....	2 NUT 5/16-18 FLANGE NYLOC
16..	575 379401....	1 TANK, FUEL w/ VALVE	41..	539 107632....	2 BOLT ¼ x 7½
17..	532 414114....	1 CANISTER, CARBON	42..	539 990316....	2 RHSNB 5/16-18 x ¾
18..	575 018101....	1 CAP, FUEL w/ TETHER	43..	539 990074....	2 RHSNB ¼-20 x ¾ GR2
19..	539 124804....	1 ELBOW w/ FILTER	44..	539 990362....	9 SCREW ¼-20 x 5/8 SLF TAP
20..	539 126217....	1 FITTING, TANK	NOT SHOWN			
21..	539 916325....	1 VALVE, FUEL	539 104974	...	1 CABLE, POSITIVE
22..	539 976952....	4 SCREW #10-24 x 5/8	539 103306	...	1 CABLE, POSITIVE LONG
23..	539 912222....	6 CLAMP, HOSE	525 744301	..	1 WIRING HARNESS
24..	575 436501....	2 CLAMP, HOSE	539 110290	...	2 FOAM STRIP, TANK
25..	539 110068....	1 BATTERY CABLE, NEGATIVE				

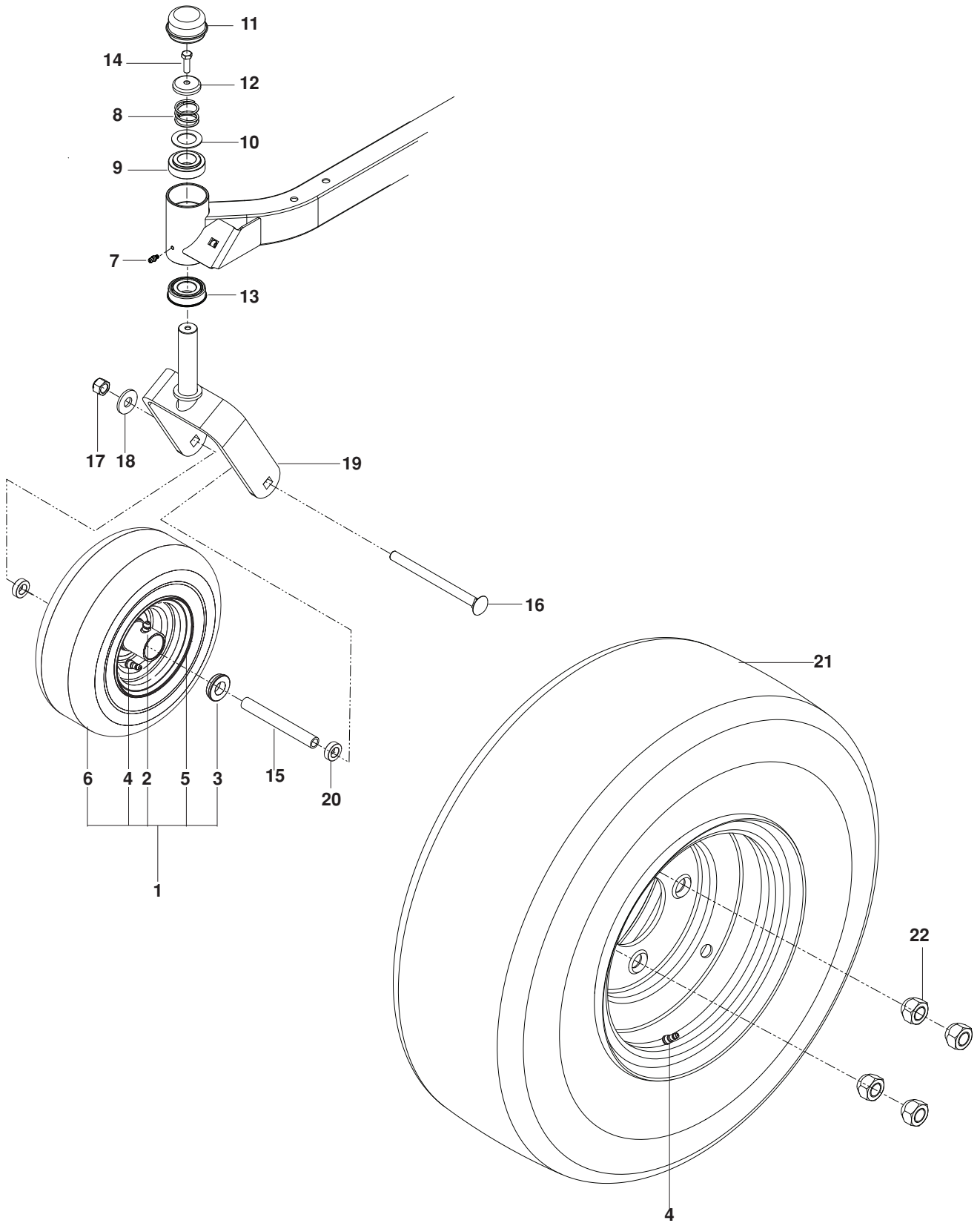
HYDRAULIC PUMP / MOTOR



HYDRAULIC PUMP / MOTOR

ITEM	PART NO.	QTY.	DESCRIPTION	ITEM	PART NO.	QTY.	DESCRIPTION
1..	539 120152....	1 HYDRO, RH	12..	539 990188..	10 WASHER ⁵ / ₁₆ SAE FLAT
2..	539 120153....	1 HYDRO, LH	13..	539 101721....	4 HCS ⁵ / ₁₆ -18 x 2 ³ / ₄
3..	539 990629....	4 HCS ³ / ₈ -16 x 2 ¹ / ₄	14..	539 114804....	2 SPACER, WHEEL
4..	539 120154....	2 SPACER, HYDRO	15..	539 120156....	1 RELEASE HANDLE, LH
5..	539 990517....	4 WASHER ³ / ₈ FLAT STD	16..	539 120157....	1 RELEASE HANDLE, RH
6..	539 115729....	2 ROD END, RH	17..	539 976988....	2 HAIRPIN COTTER
7..	539 116690....	2 ROD END, MALE LH	18..	539 976938....	2 HCS ⁵ / ₁₆ -18 x 2 ¹ / ₄
8..	539 115502....	4 NUT ⁵ / ₁₆ -24 HEX JAM	19..	539 990209....	4 HCS ⁵ / ₁₆ -18 x 1
9..	539 120169....	2 ROD, CONTROL	20..	539 112899..	10 NUT ⁵ / ₁₆ -18 FLANGE NYLOC
10..	539 116689....	2 ROD END COUPLER	21..	539 120806....	1 BELT, EZT
11..	539 991073....	2 NUT ⁵ / ₁₆ -24 HEX JAM LH				

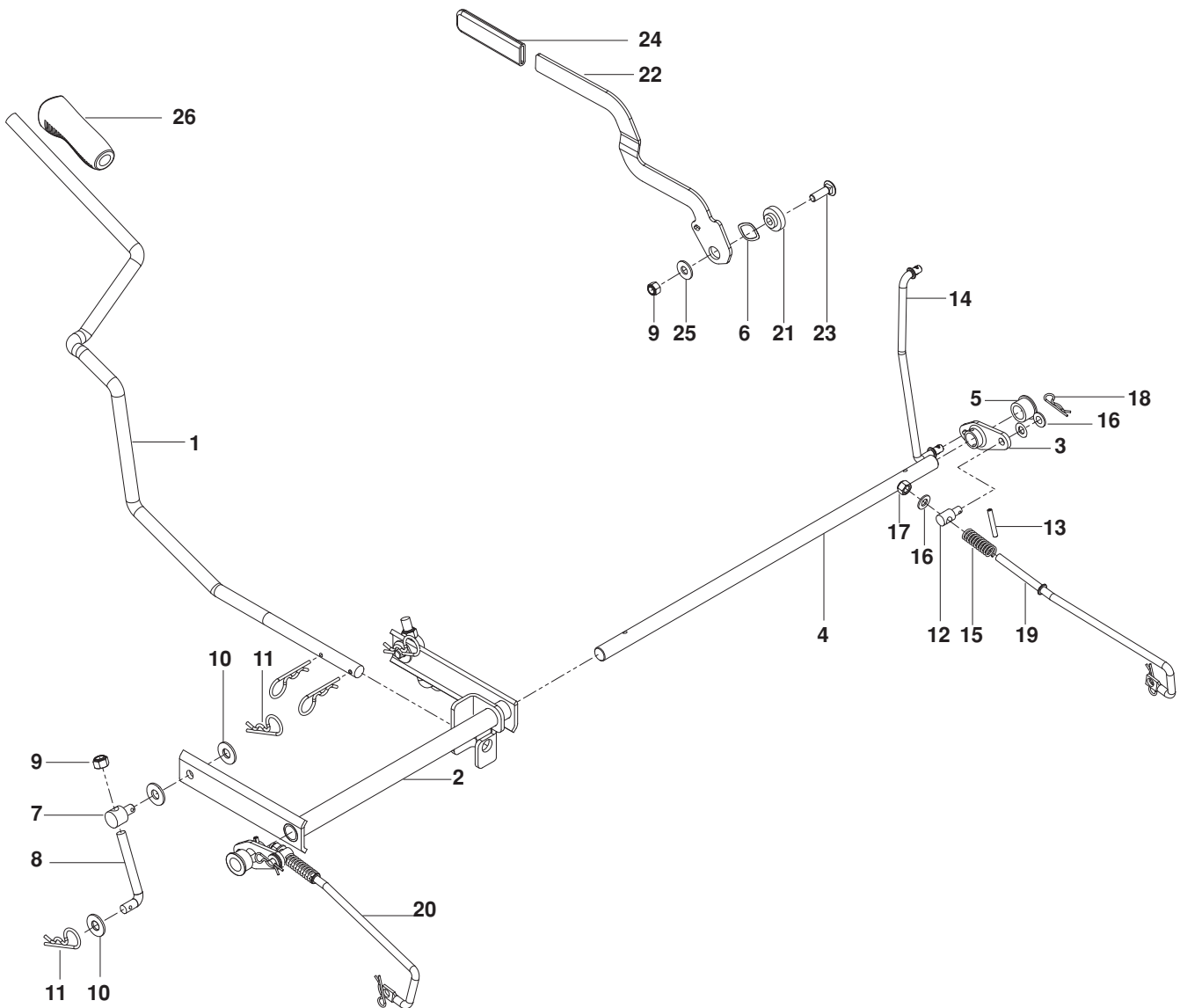
WHEELS / TIRES



WHEELS / TIRES

ITEM	PART NO.	QTY.	DESCRIPTION	ITEM	PART NO.	QTY.	DESCRIPTION
1..	516 001901....	2 CASTER TIRE ASSY	12..	539 115749....	2 PLUG, CASTER
2..	539 103300....	2 ZERK	13..	539 112660....	2 BEARING, FLANGED
3..	539 102484....	4 BEARING, FLANGED	14..	539 115566....	2 BOLT, HEX ⁵ / ₁₆ -18 x 1 NYLOC
4..	539 912234....	4 VALVE	15..	539 105543....	2 SPACER
5..	539 106994....	2 RIM	16..	539 121159....	2 RHSNB 1/2-13 x 6 1/2
6..	539 114697....	2 TIRE, 410-5 4 PLY	17..	539 101331....	2 NUT 1/2 HEX NYLOC
7..	539 115638....	2 ZERK	18..	539 109554....	2 WASHER 1/2 FLAT
8..	539 115747....	2 SPRING, CASTER	19..	510 186501....	2 YOKE, CASTER ORG
9..	539 117901....	2 BUSHING, CASTER	20..	539 114805....	4 SPACER ⁵ / ₁₆
10..	539 115675....	2 WASHER	21..	539 120187....	2 WHEEL ASSY REAR
11..	539 102535....	2 CAP, GREASE	22..	539 101173....	8 NUT 1/2-20 LUG

BRAKE / DECK LIFT



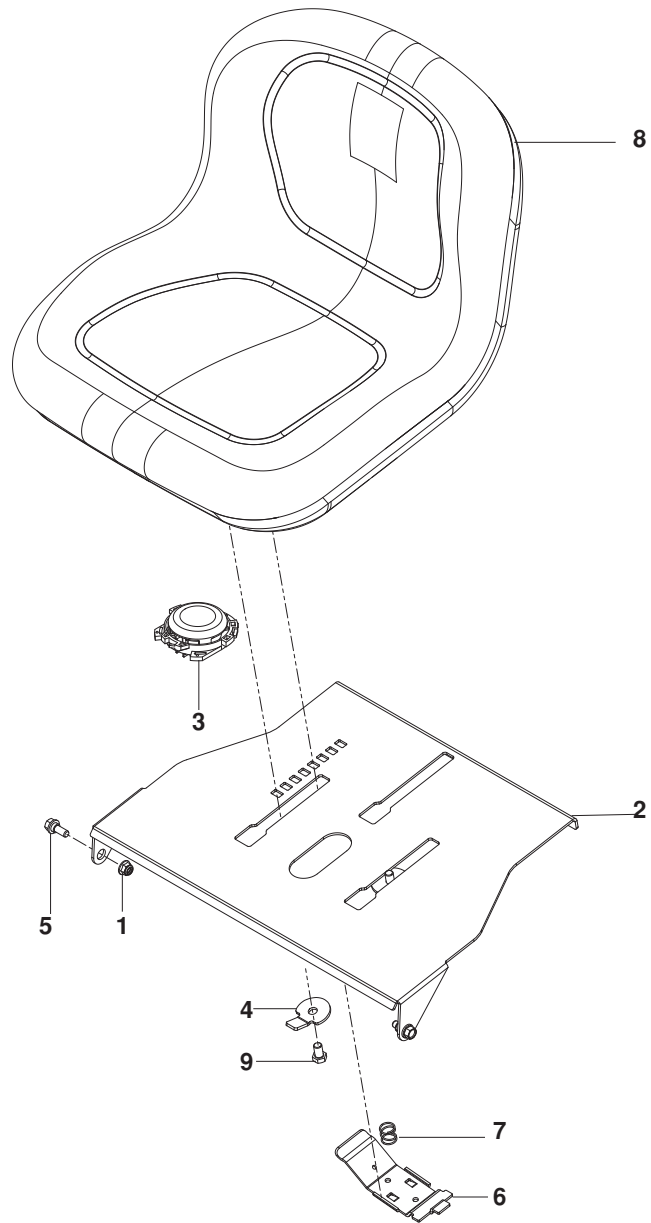
BRAKE / DECK LIFT

ITEM	PART NO.	QTY.	DESCRIPTION	ITEM	PART NO.	QTY.	DESCRIPTION
1..	525 580402...	1 HANDLE, LIFT BLK	14..	525 735701...	1 LINKAGE, UPPER
2..	525 580604...	1 SHAFT, LIFT BLK	15..	539 101224....	2 SPRING
3..	525 580201...	2 BELLCRANK, BRAKE	16..	539 990188....	6 WASHER ⁵ / ₁₆ SAE FLAT
4..	525 580301...	1 ROD, BRAKE	17..	539 990717....	2 NUT ⁵ / ₁₆ -18 HEX NYLOC
5..	539 109368....	2 BUSHING, PLASTIC	18..	539 976988....	4 HAIRPIN COTTER
6..	539 133007....	1 WASHER, .825 WAVE	19..	525 583601...	1 LINKAGE, BRAKE RT
7..	539 118179....	2 SWIVEL	20..	525 583701...	1 LINKAGE, BRAKE LT
8..	539 115658....	2 L-ROD 3 ¹ / ₂ "	21..	539 120220....	1 PIVOT, BRAKE ARM
9..	539 976979....	3 NUT ³ / ₈ -16 HEX NYLOC	22..	525 485602....	1 HANDLE, BRAKE
10..	539 990517....	6 WASHER ³ / ₈ FLAT STD	23..	539 100413....	1 RHSNB ³ / ₈ -16 x 1 ¹ / ₄
11..	539 976989....	6 HAIRPIN	24..	539 120921....	1 GRIP, BRAKE HANDLE
12..	539 112308....	2 SWIVEL, BRAKE	25..	539 102843....	1 WASHER ⁷ / ₁₆ SPRING DISK
13..	539 101082....	2 PIN ³ / ₁₆ x 1 ¹ / ₄ ROLL	26..	532 196492....	1 GRIP, LIFT HANDLE

MOWER DECK / CUTTING DECK

ITEM	PART NO.	QTY.	DESCRIPTION	ITEM	PART NO.	QTY.	DESCRIPTION
1..	527 290801....	1 DECK w/ SAFETY DECALS	27..	532 415598....	1 WASHOUT PORT
2..	539 107520....	1 WASHER/SPACER	28..	539 108461....	1 BOLT ¼-20 x ½ HWST
3..	532 400140....	1 KEEPER, BELT	29..	525 851801....	1 GUIDE, BELT
4..	532 199791....	1 PULLEY, MANDREL	30..	539 109332....	1 NUT ¾-16 HEX JAM
5..	532 193003....	1 BOLT/WASHER ASSY	31..	532 195740....	1 LINK, SUSPENSION
6..	532 419274....	1 BLADE, MOWER/MULCH	32..	539 114789....	1 SWIVEL
7..	532 175820....	1 PULLEY, IDLER	33..	573 975201....	1 NUT 7/16-20 HEX NYLOC
8..	539 112050....	1 BEARING, BALL	34..	539 990250....	1 WASHER ½ SAE
9..	532 199092....	1 SPACER RETAINER	35..	539 976989....	2 HAIRPIN
10..	529 311701....	2 KEEPER, BELT	36..	539 106504....	1 WASHER 1¾ x ¼ HEAVY
11..	532 401872....	1 SPRING RETURN	37..	574 172802....	1 ARM, IDLER
12..	539 109562....	1 WASHER ¾ x ¾	38..	529 311801....	1 ARM, LH BRAKE
13..	539 112057....	1 MANDREL ASSY	39..	532 173902....	1 IDLER V-GROOVE
14..	539 107630....	4 SCREW 5/16-18 WASHER HD	40..	539 990588....	1 HCS ¾-16 x 2
15..	539 990701....	1 BOLT ¾-16 x 1 ¾ WHIZLK	41..	539 107631....	2 SCREW ¼-20 x 5/8 THDROLL
16..	521 996501....	5 NUT ¾-16 FLANGE NYLOC	42..	525 848601....	1 RHSNB ¾-16 x 4
17..	539 110025....	1 BOLT ¾-16 x 1½ THD FRM	43..	539 104864....	2 WASHER 7/16 FLAT
18..	539 990517....	2 WASHER ¾ FLAT STD	44..	525 848801....	1 SPACER .390 ID x 2¼
19..	532 417344....	1 CHUTE, DISCHARGE	45..	539 110311....	1 PULLEY, DECK IDLER
20..	539 107609....	1 SPRING, TORSION	46..	532 416405....	1 COUPLING, QUICK DISC
21..	539 107590....	1 NUT 9/16 TOP CENTER LOCK	47..	532 192557....	1 BRACKET, DEFLECTOR
22..	539 110736....	1 PIN, CLEVIS 5/16	48..	539 990799....	2 RHSNB 5/16-18 x 5/8
23..	539 976988....	1 HAIRPIN COTTER	49..	539 112899....	2 NUT 5/16-18 FLANGE NYLOC
24..	574 173002....	1 BELT, DECK	50..	573 970402....	1 COVER, PULLEY
25..	532 195185....	2 ARM, DECK SUSPENSION	51..	539 109562....	1 WASHER ¾
26..	539 113621....	2 BOLT ¾-16 x ¾ SKT HD				

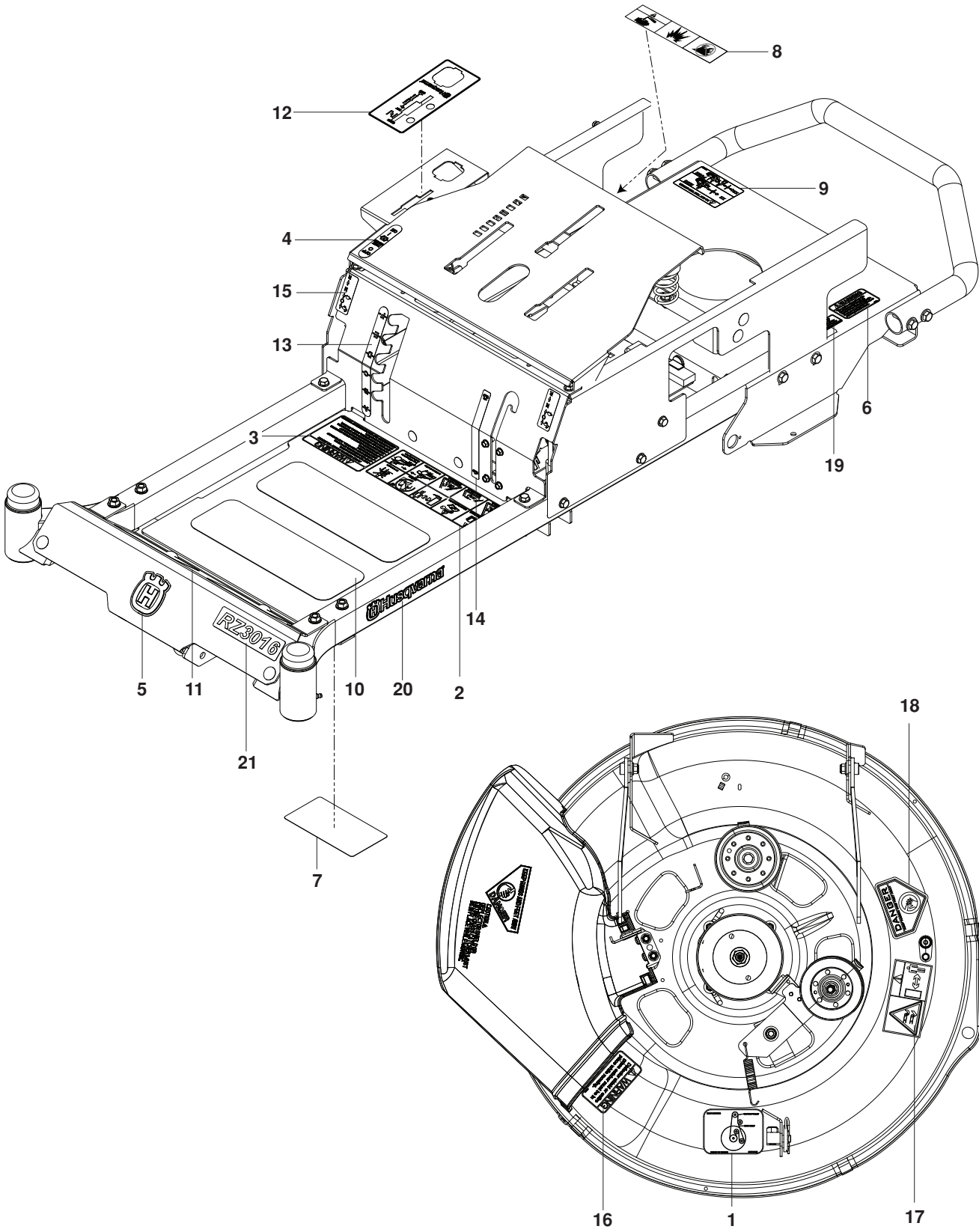
SEAT



SEAT

ITEM	PART NO.	QTY.	DESCRIPTION	ITEM	PART NO.	QTY.	DESCRIPTION
1..	539 112899....	2	NUT $\frac{5}{16}$ -18 FLANGE NYLOC	6..	532 197661....	1	HANDLE, SEAT SLIDE
2..	525 580002....	1	PLATE, SEAT ORG	7..	532 198200....	1	SPRING, SEAT SLIDE
3..	539 132140....	1	SWITCH, SEAT N/C	8..	532 424068....	1	SEAT
4..	574 191002....	1	STOP, SEAT BLK	9..	539 108503....	3	HCS $\frac{3}{8}$ -16 x $\frac{5}{8}$
5..	539 110303....	2	BOLT, $\frac{5}{16}$ -SHOULDER				

DECALS



DECALS

ITEM	PART NO.	QTY.	DESCRIPTION	ITEM	PART NO.	QTY.	DESCRIPTION
1..	525 798501....	1DECAL, BELT ROUTING	12..	574 754301....	1DECAL, CONTROL PANEL
2..	539 109908....	1DECAL, SAFETY WARNING	13..	525 814201....	1DECAL, DECK HEIGHT
3..	539 113213....	1DECAL, WARNINGS	14..	525 814301....	1DECAL, BLADE ENGAGE
4..	539 120006....	1DECAL, PARK BRAKE	15..	539 103333....	2DECAL, MOTION CONTROL
5..	532 422011....	1DECAL, CROWN	16..	539 113224....	1DECAL, DEFLECT CAUTION
6..	539 101881....	1DECAL, EXHAUST WARN	17..	539 105746....	1DECAL, SEVERING
7..	539 109897....	1DECAL, SERVICE	18..	539 913010....	1DECAL, BLADE WARN
8..	539 105745....	1DECAL, BATTERY WARNING	19..	525 865801....	1DECAL, SPARK ARRESTOR
9..	539 108385....	1DECAL, DO NOT TOW	20..	532 422012....	2DECAL, HUSQVARNA
10..	539 977778....	2PAD, ABRASIVE	21..	525 803301....	1DECAL, RZ3016
11..	539 121322....	2PAD, FOOT				

