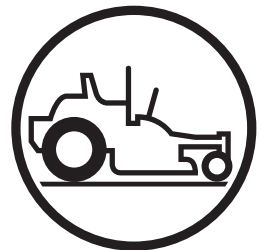




Parts Manual

PZ6029D / 966476701
PZ29D BF / 966554801



Please read the operator's manual carefully and make sure you understand the instructions before using the machine.

English

When you need spare parts or support in service questions, warranty issues, etc., please consult the following professional:

This Parts Manual belongs to the machine with the manufacturing number:	Engine	Transmission

Manufacturing Number

The machine's manufacturing number can be found on the printed plate affixed under the seat on the right side of the frame.

Stated on the plate, from the top are:

- The machine's type designation (I.D.).
- The manufacturer's type number (Model).
- The machine's serial number (Serial no.)

Please have the type designation and serial number available when ordering spare parts.

The engine's manufacturing number is on the head cover.

The plate states:

- The engine's model.
- The engine's serial number.
- The engine's type.
- Code

Please have these available when ordering spare parts.

The wheel motors and hydrostatic pumps have a barcode decal affixed on the top.

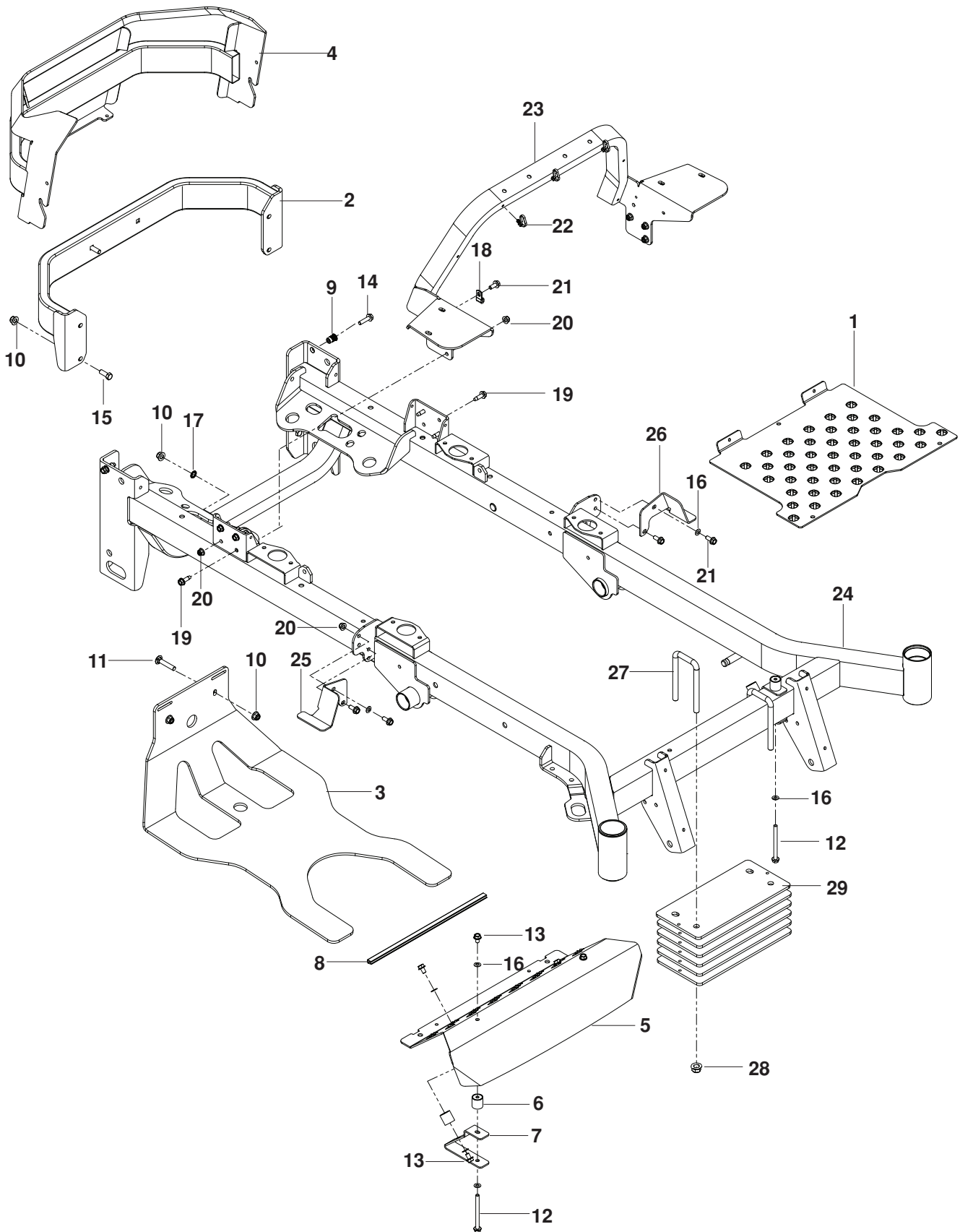
Accessories Available	
Mulch Kit 60" -----	966 444701
OCDK Kit 60" ----- (Operator Controlled Discharge Chute)	966 488701
Bearing Kit	574 754201

CONTENTS

FRAME.....	4	HYDRAULIC PUMP-MOTOR.....	16
ENGINE.....	6	WHEELS AND TIRES	18
COOLING SYSTEM	8	MOWER LIFT / DECK LIFT.....	20
STEERING	10	SEAT	24
IGNITION SYSTEM.....	12	DECALS	26
PARKING BRAKE	14	PROTECTION FRAME	28

NOTE: ALL FASTENERS ARE GRADE 5 UNLESS OTHERWISE SPECIFIED.

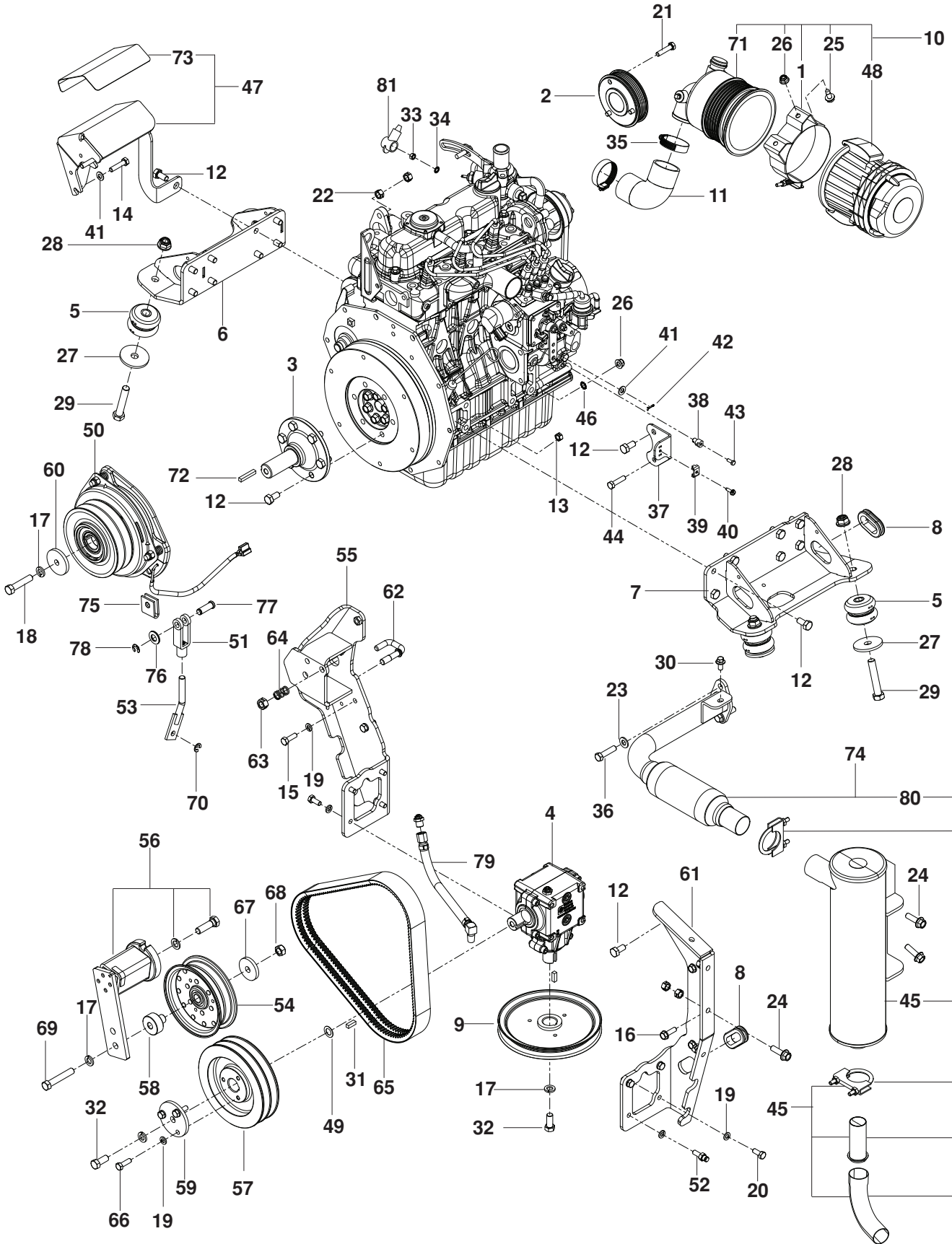
FRAME



FRAME

ITEM	PART NO.	QTY.	DESCRIPTION	ITEM	PART NO.	QTY.	DESCRIPTION
1..	574 215602.....	1.....	FLOORPAN ORG	16..	539 109600.....	8.....	WASHER ⁵ / ₁₆ DISC SPRING
2..	522 738904.....	1.....	BUMPER, REAR ORG w/ DECAL	17..	539 109603.....	1.....	WASHER ³ / ₈ EXT STAR
3..	522 739902.....	1.....	PLATE, SKID GRY	18..	539 109867	1.....	CLAMP, DOUBLE TUBE
4..	574 433003.....	1.....	GUARD, REAR GRY w/ DECALS	19..	539 113226.....	6.....	BOLT ⁵ / ₁₆ -18 x 1 THD FRM
5..	574 215702.....	1.....	FOOT REST ORG	20..	539 112899.....	8.....	NUT ⁵ / ₁₆ -18 HEX FLANGE NYLOC
6..	510 083201.....	4.....	MOUNT, F/F INSERT	21..	525 464701.....	5.....	HHFS ⁵ / ₁₆ -18 x ³ / ₄
7..	510 040301.....	2.....	BRACKET, REST MOUNT	22..	505 280001.....	3.....	TIE WRAP w/ CLIP
8..	539 112294.....	1.....	FLEX TRIM BLK	23..	574 432602.....	1.....	CROSS MEMBER, GRY
9..	539 111028.....	2.....	NUTSERT ⁵ / ₁₆ -18	24..	522 739302.....	1.....	FRAME ORG
10..	521 996501.....	7.....	NUT ³ / ₈ -16 HEX FLG NYLOC	25..	529 279902.....	1.....	MOUNT, TANK RT ORG
11..	539 100145.....	2.....	BOLT ³ / ₈ -16 x 2 RD HD	26..	529 280002.....	1.....	MOUNT, TANK LT ORG
12..	539 131780.....	2.....	SCREW ⁵ / ₁₆ -18 x 3 ³ / ₄ HEX FLG	27..	575 880601.....	2.....	LINKAGE, U-BOLT
13..	539 990858.....	6.....	SCREW ⁵ / ₁₆ -18 x 1 ¹ / ₂ SLF TAP	28..	521 991101.....	4.....	NUT ¹ / ₂ -13 HEX FLG NYLOC
14..	525 544001.....	2.....	SCREW ⁵ / ₁₆ -18 x 1 ¹ / ₄ TPBLT	29..	575 880502.....	6.....	PLATE, WEIGH BLK
15..	539 990563.....	4.....	SCREW ³ / ₈ -16 x 1 HEX HD				

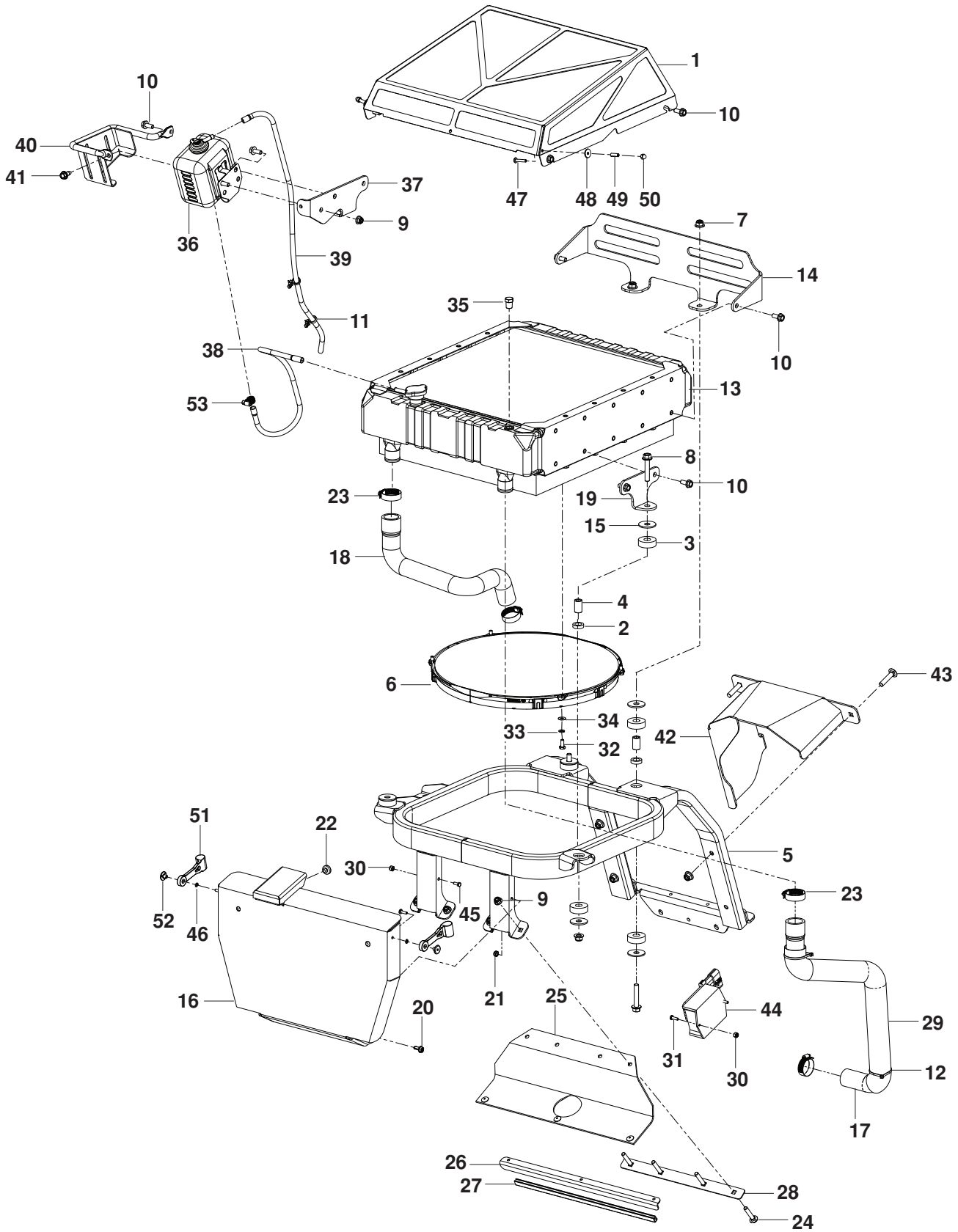
ENGINE



ENGINE

ITEM	PART NO.	QTY.	DESCRIPTION	ITEM	PART NO.	QTY.	DESCRIPTION
1..	539 108474.....	1.....	BRACKET, MOUNTING	45..	575 244505.....	1.....	KIT, SPARK ARRESTOR
2..	515 989601.....	1.....	PULLEY, ENGINE	46..	539 109556.....	1.....	WASHER 5/16 EXT STAR LK
3..	574 890701.....	1.....	SHAFT, PILOT	47..	575 420403.....	1.....	SHIELD ASSY
4..	575 509401.....	1.....	GEAR BOX, 90°	48..	539 108473.....	1.....	AIR FILTER ASSY, LOWER
5..	515 990102.....	4.....	ISOLATOR, ENGINE	49..	539 115610.....	1.....	WASHER, SPECIAL
6..	515 989002.....	1.....	MOUNT, MOTOR LT BLK	50..	574 804001.....	1.....	CLUTCH, OGURA
7..	515 988802.....	1.....	MOUNT, MOTOR RT BLK	51..	574 803901.....	1.....	YOKE, CLEVIS
8..	539 103684.....	2.....	GROMMET	52..	574 804501.....	1.....	PIN, PIVOT
9..	515 997601.....	1.....	PULLEY, DRIVE	53..	574 803801.....	1.....	LINKAGE, ANTI-ROTATION
10..	539 106376.....	1.....	AIR FILTER ASSY	54..	539 103257.....	1.....	IDLER PULLEY
11..	515 990401.....	1.....	HOSE, AIR INTAKE	55..	574 751402.....	1.....	MOUNT, GEAR BOX, BLK
12..	522 453101.....	24.....	HCS M10-1.25 x 20 GR 8.8	56..	574 804301.....	1.....	TENSIONER ASSY
13..	539 990184.....	3.....	NUT 5/16-18 HEX CTRLK	57..	574 753301.....	1.....	PULLEY, GEAR BOX
14..	539 977692.....	2.....	BOLT M8-1.25 GR8.8 TAP	58..	574 394201.....	1.....	MOUNT, IDLER
15..	539 115578.....	2.....	BOLT M8-1.25 x 25 GR 8.8	59..	574 890401.....	1.....	PLATE, PULLEY
16..	539 115648.....	3.....	SCREW 5/16-18 x 1 HWH TAP	60..	539 125626.....	1.....	WASHER, BLADE
17..	539 990247.....	4.....	WASHER 7/16 SLW	61..	574 888203.....	1.....	MOUNT, GEAR BOX, BLK
18..	539 111990.....	1.....	SCREW 7/16-20 x 2 GR 8	62..	574 890601.....	1.....	PIN, DETENT
19..	539 990187.....	13.....	WASHER 5/16 SLW	63..	539 990839.....	1.....	NUT 7/16-14 HEX CTRLK GR A
20..	539 990206.....	7.....	SCREW 5/16-18 x 3/4	64..	574 890501.....	1.....	SPRING, COMPRESSION
21..	521 998801.....	3.....	SCREW M8-1.25 x 35 GR8.8	65..	574 804101.....	1.....	BELT, CLUTCH
22..	539 990546.....	10.....	NUT 3/8-16 HEX CNTRLK	66..	539 990209.....	3.....	HCS 5/16-18 x 1
23..	539 990122.....	2.....	WASHER 3/8 SAE FLT	67..	539 106504.....	1.....	WASHER, HEAVY
24..	525 834201.....	3.....	HHFS 3/8-16 x 1 1/4	68..	573 975201.....	1.....	NUT 7/16-20 HEX NYLOC
25..	539 107475.....	2.....	BOLT 5/16-18 x 3/4 THD FRM	69..	539 991120.....	1.....	SCREW 7/16-20 x 2 1/2 HEX HD
26..	539 112899.....	3.....	NUT 5/16-18 HEX FLANGE NYLOC	70..	539 990870.....	1.....	E- RING 3/8"
27..	539 111844.....	4.....	WASHER, HEAVY	71..	539 108470.....	1.....	AIR FILTER ASSY, UPPER
28..	521 991101.....	4.....	NUT 1/2-13 HEX FLG NYLOC	72..	539 109161.....	1.....	KEY 1/4 SQ x 1 1/2
29..	539 101332.....	4.....	SCREW 1/2-13 x 2 3/4 HEX HD	73..	574 480601.....	1.....	SHIELD, HEAT BARRIER
30..	539 122388.....	1.....	M8-1.25 x 16 GR 8.8	74..	575 244501.....	1.....	MUFFLER ASSY
31..	539 102067.....	2.....	HHB KEY 1/4" SQ x 3/4"	75..	575 699401.....	1.....	SPACER, RUBBER
32..	539 124775.....	2.....	SCREW 7/16-20 x 1 HEX HD	76..	539 110656.....	1.....	WASHER 1/2 x 1
33..	539 117980.....	1.....	M6-1.0 HEX NUT	77..	510 090101.....	1.....	PIN 7/16 CLEVIS
34..	539 990053.....	1.....	WASHER 1/4 INT TOOTH LK	78..	522 705201.....	1.....	E RING 7/16
35..	539 106384.....	2.....	CLAMP	79..	575 804901.....	1.....	HOSE, VENT
36..	539 990655.....	2.....	SCREW 3/8-16 x 1 1/2 HEX HD	80..	575 244503.....	1.....	PIPE, MANIFOLD
37..	522 545201.....	1.....	BRACKET, THROTTLE	81..	539 116400.....	1.....	TERMINAL COVER-SM
38..	522 545301.....	1.....	SWIVEL, THROTTLE	NOT SHOWN			
39..	522 752701.....	1.....	CLAMP, CABLE	574 439302.....	1.....	HARNES, ENGINE	
40..	539 991034.....	1.....	SCREW 10-24 x 5/8 WSHR HD	539 127037.....	1.....	CABLE, GROUND	
41..	539 990188.....	3.....	WASHER 5/16 SAE FLAT	539 976856.....	2.....	WIRE TIE	
42..	539 990555.....	1.....	PIN, COTTER				
43..	539 990411.....	1.....	SCREW #10-24 x 1/2 SLT HD				
44..	539 990627.....	1.....	SCREW 5/16-18 x 1 1/4 HEX HD				

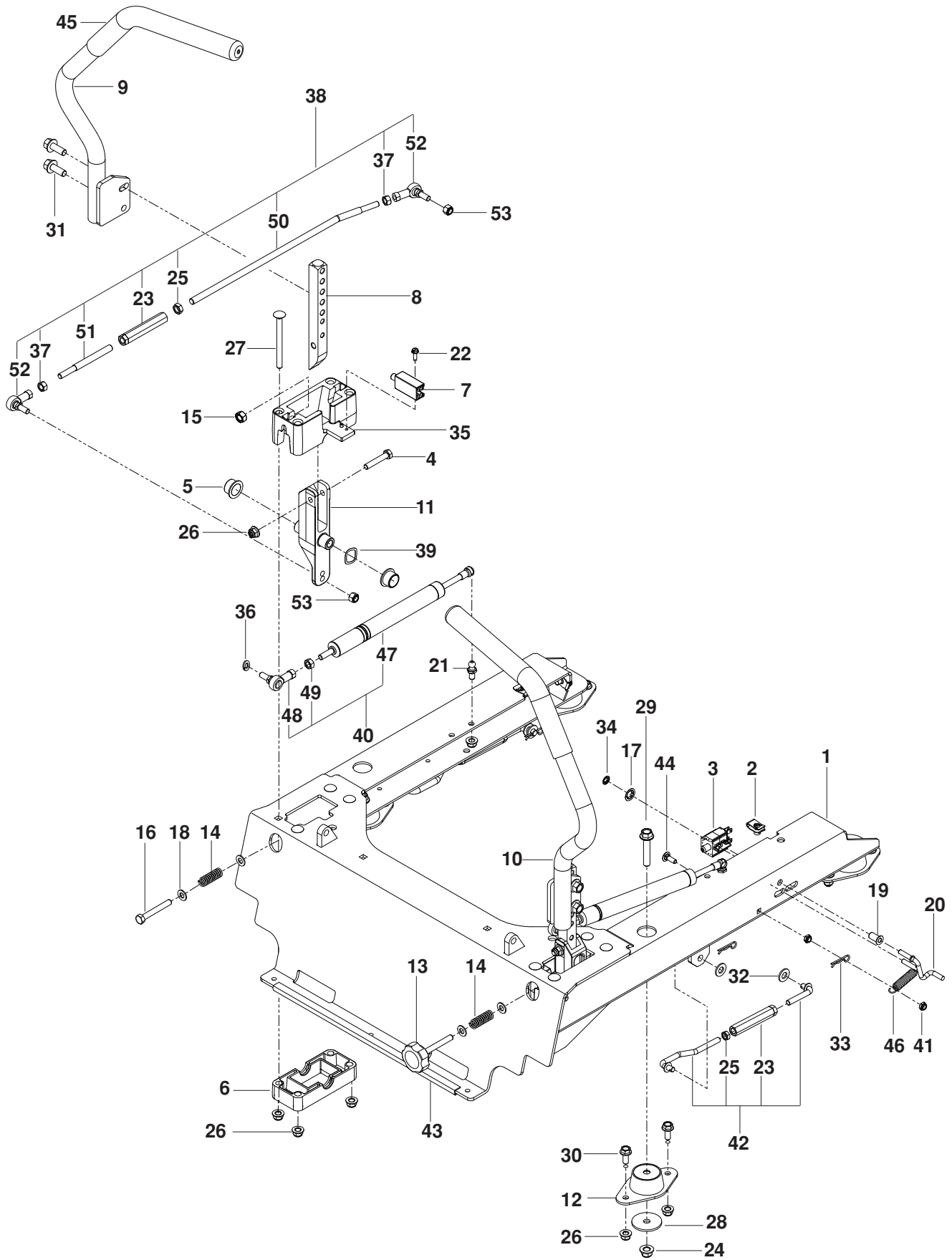
COOLING SYSTEM



COOLING SYSTEM

ITEM	PART NO.	QTY.	DESCRIPTION	ITEM	PART NO.	QTY.	DESCRIPTION
1..	574 356108.....	1.....	SCREEN, DEBRIS, BLK	28..	522 023201.....	1.....	STRAP, GUARD
2..	539 116377.....	4.....	ISO-MOUNT INSERT	29..	575 867701.....	1.....	SLEEVE, HOSE
3..	539 116378.....	8.....	ISO-MOUNT BUSHING	30..	539 976977.....	3.....	NUT #10-24 HEX NYLOC
4..	539 121367.....	4.....	ISO-MOUNT BUSHING	31..	539 976952.....	4.....	SCREW#10-24 x .625 MACH
5..	574 432702.....	1.....	MOUNT, RADIATOR, GRY	32..	539 990072.....	4.....	HCS 1/4-20 x 5/8
6..	516 018601.....	1.....	FAN, ELECTRIC	33..	539 990052.....	4.....	WASHER 1/4 SPLT LK
7..	521 996501.....	7.....	NUT 3/8-16 HEX FLG NYLOC	34..	539 990055.....	4.....	WASHER 1/4 FLAT SAE
8..	525 866201.....	4.....	HHFS 3/8-16 x 2	35..	574 596801.....	1.....	FITTING, PIPE, 1/4 NPT
9..	539 112899.....	5.....	NUT 5/16-18 HEX FLANGE NYLOC	36..	522 503501.....	1.....	BOTTLE, OVERFLOW
10..	525 464701.....	1.....	HHFS 5/16-18 x 3/4	37..	574 841002.....	1.....	MOUNT, RADIATOR, RT
11..	505 280001.....	2.....	TIE WRAP w/ CLIP	38..	574 845401.....	1.....	HOSE, OVERFLOW UPPER
12..	539 976856.....	2.....	WIRE TIE	39..	574 845402.....	1.....	HOSE, OVERFLOW LOWER
13..	574 351601.....	1.....	RADIATOR	40..	575 256402.....	1.....	GUARD, OVERFLOW BLK
14..	574 433802.....	1.....	MOUNT, RADIATOR RR BLK	41..	539 107475.....	1.....	BOLT 5/16-18 x 3/4 THD FRM
15..	539 115516.....	8.....	WASHER 7/16 FLAT	42..	574 722305.....	1.....	SHIELD, BELT, GRY w/ DECAL
16..	575 315003.....	1.....	GUARD, HOSE BLK w/ DECAL	43..	539 990923.....	3.....	RHSNB 3/8-16 x 1 3/4
17..	574 431101.....	1.....	HOSE, RADIATOR, LT	44..	574 431401.....	1.....	MODULE, FAN REVERSE
18..	574 431001.....	1.....	HOSE, RADIATOR, RT	45..	539 990411.....	1.....	SCREW #10-24 x 1/2 SLT HEX HD
19..	574 433702.....	1.....	MOUNT, RADIATOR, FT BLK	46..	539 109552.....	2.....	WASHER 3/16 LOCK
20..	539 107631.....	2.....	SCREW 1/4 -20 x 5/8 THDROLL	47..	539 108083.....	2.....	SCREW #10- 24 x 1 1/8
21..	539 108120.....	2.....	NUT 1/4-20 HEX THIN NYLOC	48..	539 108084.....	2.....	WASHER 3/16 x 3/4 x 16 GA
22..	539 102587.....	2.....	GROMMET, BUMPER	49..	539 108085.....	2.....	SPACER, SPLIT
23..	539 106321.....	4.....	CLAMP, HOSE	50..	539 108086.....	2.....	NUT, ACORN #10-24
24..	539 990861.....	4.....	RHSNB 5/16-18 x 1 3/4	51..	539 108088.....	2.....	LATCH, HOOD
25..	522 023101.....	1.....	GUARD, BELT	52..	539 108089.....	2.....	PLATED, WELD NUT
26..	574 469302.....	1.....	STRAP, BELT GUARD BLK	53..	576 286001.....	1.....	CLAMP
27..	539 112294.....	1.....	FLEX TRIM BLK				

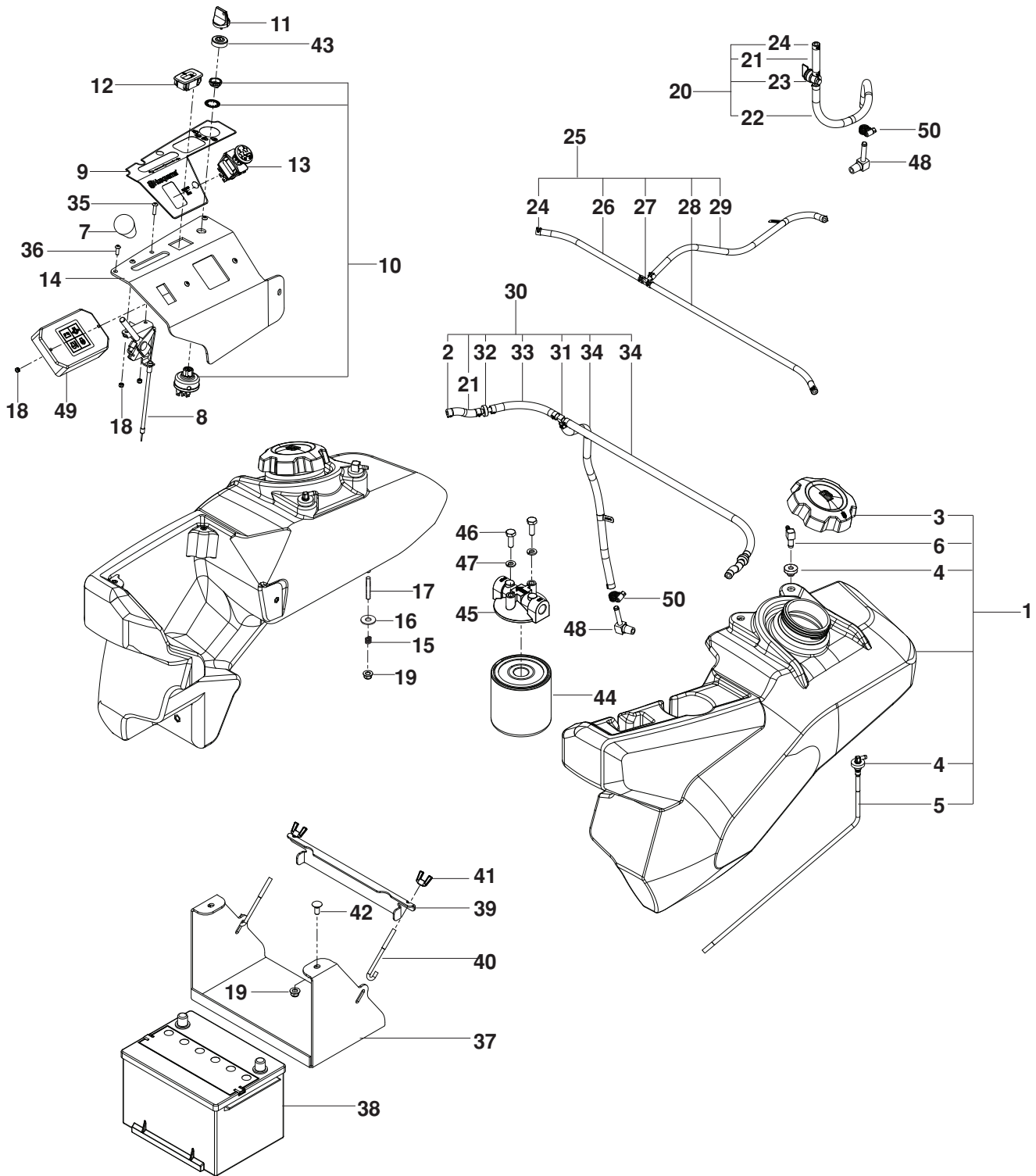
STEERING



STEERING

ITEM	PART NO.	QTY.	DESCRIPTION	ITEM	PART NO.	QTY.	DESCRIPTION
1..	574 189602.....	1.....	FRAME MOUNT	28..	539 111897.....	4.....	WASHER $\frac{3}{8}$ SPECIAL
2..	539 104763.....	4.....	RETAINER, U TYPE	29..	525 866201.....	4.....	HHFS $\frac{3}{8}$ -16 x 2
3..	539 113792.....	1.....	SWITCH, BRAKE (3-POLE)	30..	525 464701.....	8.....	HHFS $\frac{5}{16}$ -18 x $\frac{3}{4}$
4..	539 990669.....	2.....	BOLT $\frac{5}{16}$ -18 x $1\frac{3}{4}$ HEX NYL	31..	525 612801.....	4.....	SCREW $\frac{3}{8}$ -16 x 1 HEX FLG
5..	539 131518.....	4.....	BEARING, FLANGE	32..	539 990122.....	4.....	WASHER $\frac{3}{8}$ SAE FLT
6..	539 131519.....	2.....	BLOCK, LOWER	33..	539 976988.....	4.....	HAIRPIN COTTER
7..	539 101080.....	2.....	SWITCH N.C.	34..	539 102234.....	1.....	PUSH NUT $\frac{1}{4}$
8..	574 269401.....	2.....	LEVER, MOTION	35..	539 131517.....	2.....	BLOCK, UPPER
9..	574 262701.....	1.....	LEVER w/ GRIP RT	36..	539 990187.....	2.....	WASHER $\frac{5}{16}$ SLW
10..	574 262702.....	1.....	LEVER w/ GRIP LT	37..	539 990223.....	4.....	NUT $\frac{5}{16}$ -24 HEX
11..	510 113203.....	2.....	LEVER, CONTROL	38..	575 324602.....	2.....	LINKAGE CONTROL ASSY
12..	510 082101.....	4.....	MOUNT, ISO	39..	539 133007.....	1.....	WASHER, WAVE
13..	539 131799.....	1.....	KNOB	40..	522 842501.....	1.....	DAMPENER ASSY
14..	539 101224.....	2.....	SPRING	41..	539 108120.....	2.....	NUT $\frac{1}{4}$ -20 HEX THIN NYLOC
15..	539 990196.....	2.....	NUT $\frac{5}{16}$ -18 HEX	42..	525 447901.....	1.....	SEAT STRUT ASSY
16..	539 108396.....	1.....	BOLT $\frac{5}{16}$ -18 x $2\frac{1}{2}$ HEX TPBLT	43..	539 112294.....	1.....	FLEX TRIM BLK
17..	539 913847.....	2.....	RETAINER NUT $\frac{3}{8}$	44..	539 990074.....	1.....	BOLT $\frac{1}{4}$ -20 x $\frac{3}{4}$ GR2 RD HD
18..	539 990188.....	4.....	WASHER $\frac{5}{16}$ SAE FLAT	45..	539 130894.....	2.....	GRIP, LEVER
19..	511 594901.....	1.....	BUSHING $\frac{1}{4}$ FLANGE	46..	539 020035.....	1.....	SPRING
20..	511 595001.....	1.....	LINK, SWITCH	47..	522 612701.....	1.....	DAMPENER
21..	539 110607.....	2.....	BALL STUD 10MM	48..	539 131749.....	1.....	ROD END, SPHERICAL
22..	539 991034.....	2.....	SCREW 10-24 x $\frac{5}{8}$ WASHER HD	49..	539 127046.....	1.....	HEXNUT M8 x 1.25 STD
23..	539 109149.....	4.....	TURNBUCKLE $\frac{3}{8}$	50..	522 559201.....	2.....	LINKAGE, CONTROL FT
24..	521 996501.....	4.....	NUT $\frac{3}{8}$ -16 HEX FLG NYLOC	51..	575 324601.....	2.....	LINKAGE, CONTROL
25..	539 108732.....	4.....	NUT $\frac{3}{8}$ -24 HEX JAM	52..	539 110603.....	4.....	ROD END, SPHERICAL RH
26..	539 112899.....	14.....	NUT $\frac{5}{16}$ -18 HEX FLANGE NYLOC	53..	539 110943.....	4.....	NUT $\frac{5}{16}$ -24 NYLOC
27..	539 131665.....	8.....	BOLT $\frac{5}{16}$ -18 x $3\frac{3}{4}$ RD HD				

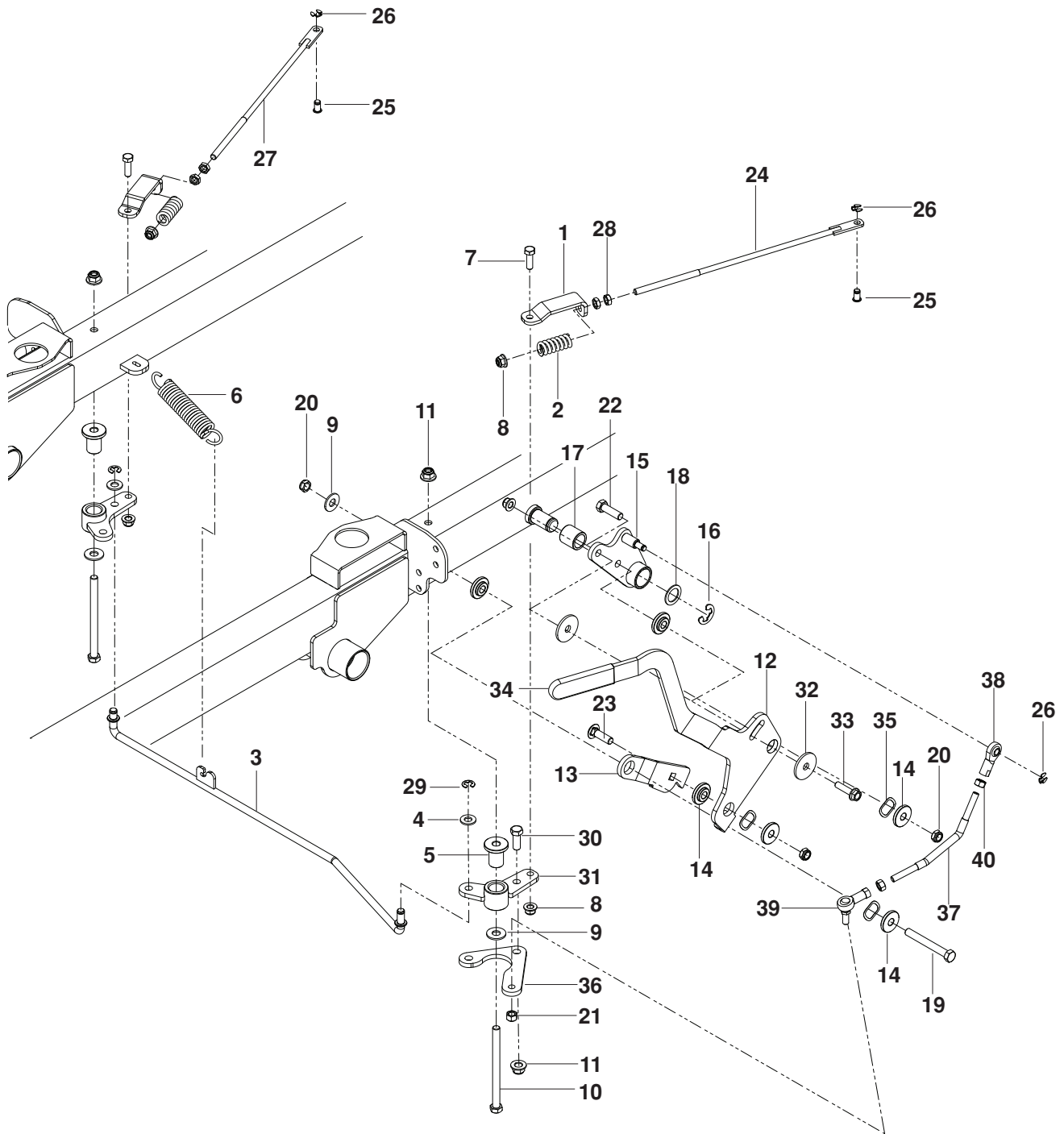
IGNITION SYSTEM



IGNITION SYSTEM

ITEM	PART NO.	QTY.	DESCRIPTION	ITEM	PART NO.	QTY.	DESCRIPTION
1..	574 433202.....	1.....	TANK ASSY, LT	28..	574 521302.....	1.....	FUEL LINE 17¼"
	574 433302.....	1.....	TANK ASSY, RT	29..	574 521303.....	1.....	FUEL LINE 18½"
2..	575 436501.....	6.....	CLAMP	30..	574 431901.....	1.....	LINE, FUEL ASSY
3..	574 460001.....	1.....	CAP, DIESEL FUEL	31..	574 206601.....	1.....	TEE, FUEL LINE
4..	539 105245.....	4.....	GROMMET, RUBBER	32..	574 206701.....	2.....	VALVE, CHECK
5..	525 865401.....	2.....	FITTING, FUEL	33..	539 110425.....	1.....	FUEL LINE 5"
6..	522 732701.....	2.....	FITTING, RETURN	34..	574 517301.....	2.....	FUEL LINE 21"
7..	539 132624.....	1.....	KNOB	35..	574 822701.....	4.....	SCREW 10-24 x ¾ SKT HD
8..	574 507901.....	1.....	CABLE, THROTTLE	36..	539 114341.....	3.....	SCREW 10-24 x ¾ SKT HD
9..	574 433501.....	1.....	DECAL, CONTROL	37..	516 022702.....	1.....	BOX, BATTERY BLK
10..	574 455401.....	1.....	SWITCH, IGNITION	38..	522 924301.....	1.....	BATTERY, 500 CCA
11..	574 455501.....	1.....	KEY, IGNITION	39..	521 895001.....	1.....	BRACKET, BATTERY MOUNT
12..	539 110074.....	1.....	HOUR METER	40..	510 064001.....	2.....	J HOOK
13..	539 131627.....	1.....	SWITCH, PTO 10 AMP	41..	539 990997.....	2.....	WINGNUT ¼-20 NYLOC
14..	574 433402.....	1.....	PANEL, CONTROL GRY	42..	539 990316.....	2.....	RHSNB 5/16-18 x ¾
15..	539 102845.....	4.....	SPRING, TANK MOUNT	43..	539 103178.....	1.....	NUTCAP, IGNITION
16..	539 990188.....	4.....	WASHER 5/16 SAE FLAT	44..	522 485401.....	1.....	FILTER, FUEL
17..	539 102502.....	4.....	STUD, FUEL TANK	45..	522 485501.....	1.....	HEAD, FUEL FILTER
18..	539 976977.....	4.....	NUT 10-24 HEX NYLOC	46..	539 990580.....	2.....	HCS ¼-20 x ¾
19..	539 112899.....	6.....	NUT 5/16-18 HEX FLANGE NYLOC	47..	539 990052.....	2.....	WASHER ¼ SPLT LK
20..	522 830701.....	1.....	LINE, FUEL ASSY	48..	522 732801.....	2.....	FITTING, 90°
21..	505 215101.....	2.....	FUEL LINE 2½"	49..	574 433601.....	1.....	MODULE, CONTROL
22..	539 104993.....	1.....	FUEL LINE 14"	50..	576 286001.....	1.....	CLAMP
23..	539 916325.....	1.....	VALVE, FUEL	NOT SHOWN			
24..	539 912222.....	14.....	CLAMP, HOSE	522 830301.....	1.....	CABLE, POSITIVE	
25..	574 432001.....	1.....	LINE, FUEL ASSY RETURN	522 830401.....	1.....	CABLE, NEGATIVE	
26..	574 521301.....	1.....	HOSE, FUEL 9½"	574 439301.....	1.....	HARNES, MAIN	
27..	574 206602.....	1.....	TEE, FUEL LINE				

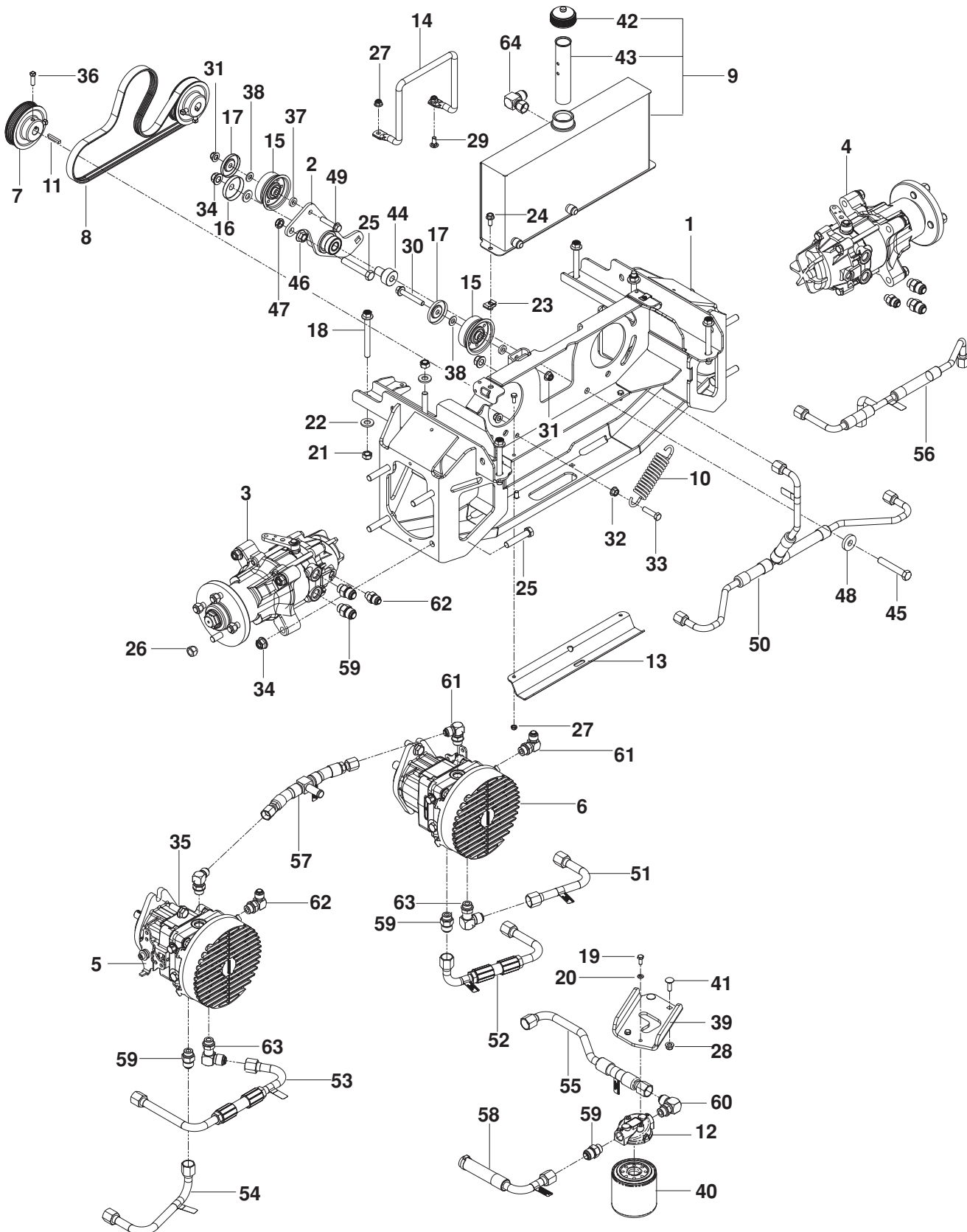
PARKING BRAKE



PARKING BRAKE

ITEM	PART NO.	QTY.	DESCRIPTION	ITEM	PART NO.	QTY.	DESCRIPTION
1..	516 036301.....	2.....	BRACKET, BRAKE	21..	539 110943.....	1.....	NUT ⁵ / ₁₆ -24 NYLOC
2..	539 113952.....	2.....	SPRING	22..	539 976941.....	1.....	HCS ³ / ₈ -16 x 1 ¹ / ₄
3..	516 036201.....	1.....	LINKAGE, BRAKE, PRIMARY	23..	539 100413.....	1.....	RHSNB ³ / ₈ -16 x 1 ¹ / ₄
4..	539 990122.....	2.....	WASHER ³ / ₈ SAE FLT	24..	516 036101.....	1.....	LINKAGE, BRAKE LT-RR
5..	516 036401.....	2.....	BUSHING, PIVOT	25..	522 421201.....	2.....	PIN, BRAKE ARM
6..	539 106850.....	1.....	SPRING	26..	539 109303.....	3.....	RING ⁵ / ₁₆ RETAINING EXT
7..	539 990209.....	2.....	HCS ⁵ / ₁₆ -18 x 1	27..	516 036102.....	1.....	LINKAGE, BRAKE, RT-RR
8..	539 112899.....	5.....	NUT ⁵ / ₁₆ -18 HEX FLANGE NYLOC	28..	539 107897.....	4.....	NUT ⁵ / ₁₆ -18 HEX JAM
9..	539 990517.....	3.....	WASHER ³ / ₈ FLT STD	29..	539 990870.....	2.....	E- RING ³ / ₈ "
10..	539 101517.....	2.....	HCS ³ / ₈ -16 x 5	30..	539 990563.....	1.....	HCS ³ / ₈ -16 x 1
11..	521 996501.....	3.....	NUT ³ / ₈ -16 HEX FLG NYLOC	31..	516 036604.....	2.....	BELLCRANK, BRAKE
12..	515 980002.....	1.....	LEVER, BRAKE BLK	32..	525 490901.....	2.....	WASHER ¹ / ₈ FRICTION
13..	515 980301.....	1.....	LINK, FOLLOWER	33..	525 544001.....	1.....	HHFS ⁵ / ₁₆ -18 x 1 ¹ / ₂ TPBLT
14..	539 132161.....	6.....	BUSHING, BRAKE	34..	539 976526.....	1.....	GRIP, LEVER
15..	521 885601.....	1.....	ARM, BRAKE	35..	539 133007.....	3.....	WASHER, WAVE
16..	539 102454.....	1.....	E-RING ³ / ₄ "	36..	574 522502.....	1.....	PLATE, BRAKE, BLK
17..	510 089201.....	1.....	BUSHING ³ / ₄ x 1 SLEEVE	37..	574 527501.....	1.....	LINKAGE, BRAKE
18..	539 910935.....	1.....	WASHER	38..	539 102590.....	1.....	BALL END, RH
19..	539 101341.....	1.....	HCS ³ / ₈ -16 x 3	39..	539 110603.....	1.....	ROD END, SPHERICAL RH
20..	539 200282.....	3.....	NUT ³ / ₈ -16 HEX JAM NYLOC	40..	539 990223.....	2.....	NUT ⁵ / ₁₆ -24 HEX

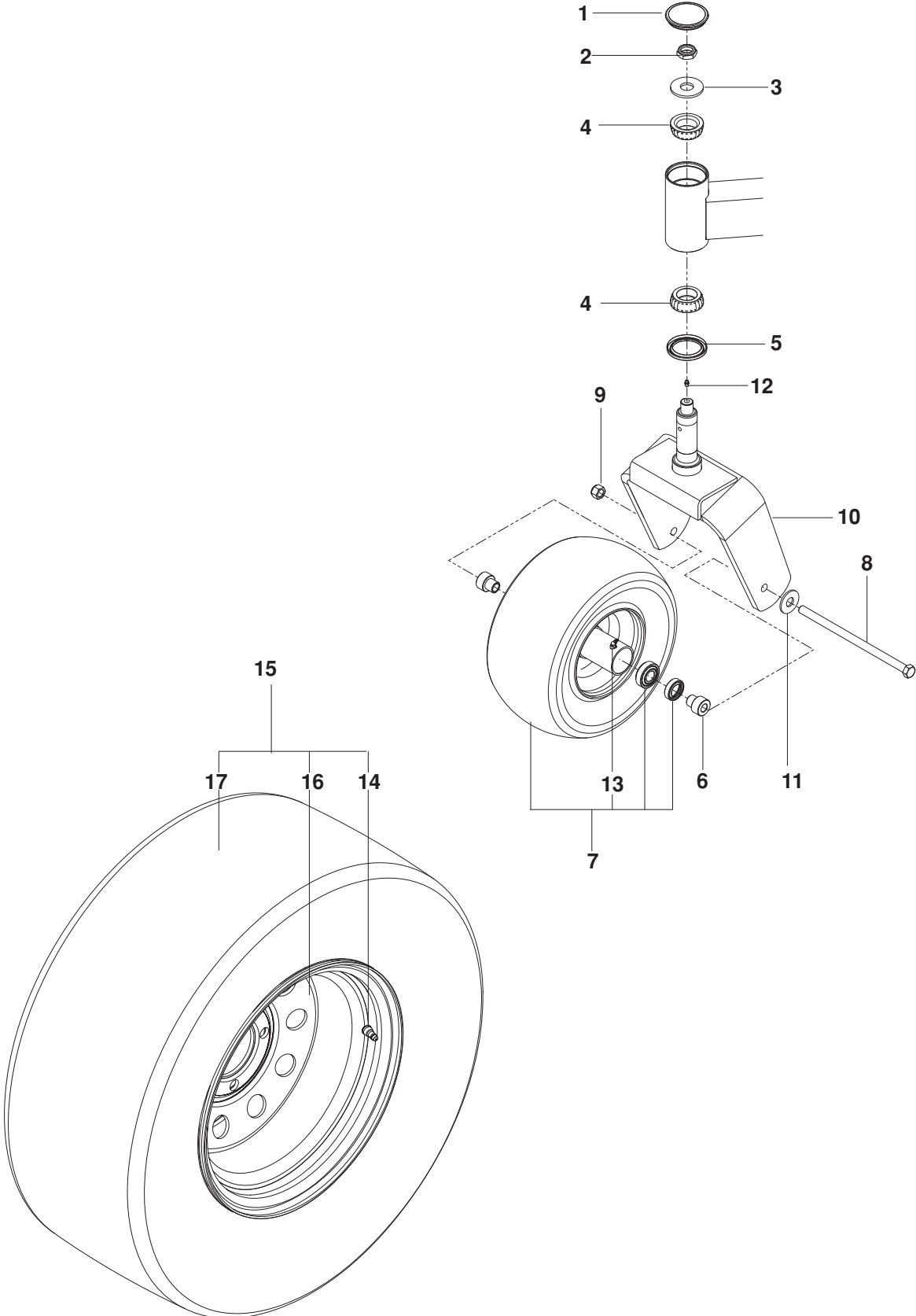
HYDRAULIC PUMP-MOTOR



HYDRAULIC PUMP-MOTOR

ITEM	PART NO.	QTY.	DESCRIPTION	ITEM	PART NO.	QTY.	DESCRIPTION
1..	574 888702.....	1.....	PUMP BAY, BLK	33..	539 107042.....	1.....	HCS 3/8-16 x 1 1/2 GR 8
2..	574 890201.....	1.....	IDLER w/ BEARINGS ASSY	34..	521 991101....	13.....	NUT 1/2-13 HEX FLG NYLOC
3..	515 999101.....	1.....	MOTOR, PRM, RT	35..	539 990622.....	4.....	BOLT 1/2-13 x 1 1/4 WHIZLK SP
4..	515 999201.....	1.....	MOTOR, PRM, LT	36..	539 102716.....	4.....	SET SCREW 5/16-18 x 1 SQ HD
5..	515 998901.....	1.....	PUMP, 21CC, RT	37..	539 109562.....	2.....	WASHER 3/8 x 3/4
6..	515 999001.....	1.....	PUMP, 21CC, LT	38..	539 990122.....	2.....	WASHER 3/8 SAE FLT
7..	539 106334.....	2.....	SHEAVE, PUMP	39..	576 190602.....	1.....	MOUNT, FILTER, BLK
8..	574 890001.....	1.....	BELT, PUMP	40..	522 805401.....	1.....	FILTER, 25 MICRON
9..	515 999302.....	1.....	RESERVOIR ASSY	41..	539 990208.....	2.....	BOLT 5/16-18 x 1 RD HD
10..	539 110655.....	1.....	SPRING	42..	522 805301.....	1.....	CAP, RESERVOIR
11..	539 109178.....	2.....	KEY, 5MM SQ x 36MM	43..	522 805001.....	1.....	TUBE, ANTI-SPLASH
12..	575 872301.....	1.....	HEAD, FILTER	44..	510 206301.....	1.....	PIVOT, BEARING
13..	522 957201.....	1.....	GUARD, HOSE	45..	539 101572.....	1.....	HCS 1/2-13 x 3
14..	574 507601.....	1.....	GUIDE, BELT	46..	539 111187.....	1.....	NUT 1/2-13 HEX WHIZLK
15..	575 505001.....	2.....	PULLEY, IDLER	47..	539 117378.....	1.....	1/2-13 HEX NUT THIN NYLOC
16..	539 114662.....	1.....	SHIELD, DUST 1/2 ID	48..	539 115636.....	1.....	WASHER, 1/2 x 1/2
17..	510 254501.....	2.....	SHIELD, DUST	49..	539 990701.....	1.....	BOLT 3/8-16 x 1 3/4 WHIZLK
18..	521 983801.....	6.....	BOLT 7/16-14 x 4 GR8 BLK	50..	516 000101.....	1.....	LINE, HYD, CASE-PRM
19..	539 990072.....	4.....	HCS 1/4-20 x 5/8	51..	574 888801.....	1.....	LINE, HYD, LT-AA
20..	539 990052.....	2.....	WASHER 1/4 SPLT LK	52..	574 889001.....	1.....	LINE, HYD, LT-BB
21..	539 119124.....	6.....	NUT 7/16-14 HEX NYLOC	53..	574 889101.....	1.....	LINE, HYD, RT-AB
22..	539 990250.....	7.....	WASHER, SAE	54..	574 889201.....	1.....	LINE, HYD, RT-BA
23..	539 104763.....	2.....	RETAINER, U TYPE	55..	576 045001.....	1.....	LINE, HYD, SUCTION
24..	525 464701.....	2.....	HHFS 5/16-18 x 3/4	56..	574 889501.....	1.....	LINE, HYD, CASE-PUMP
25..	539 108346.....	9.....	HCS 1/2-13 x 2 1/2	57..	576 045101.....	1.....	LINE, HYD, CHARGE
26..	539 101173.....	8.....	NUT 1/2 LUG	58..	576 045201.....	1.....	LINE, HYD, CHARGE
27..	539 108120.....	2.....	NUT 1/4-20 HEX THIN NYLOC	59..	539 132889.....	7.....	FITTING, 10-8 STRAIGHT
28..	539 112899.....	4.....	NUT 5/16-18 HEX FLANGE NYLOC	60..	539 106370.....	1.....	FITTING
29..	539 990316.....	2.....	RHSNB 5/16-18 x 3/4	61..	539 101242.....	4.....	ELBOW 90° ADJ
30..	539 133006.....	1.....	HHFS 3/8-16 x 2 1/2	62..	539 131748.....	2.....	FITTING, HYD
31..	521 996501.....	3.....	NUT 3/8-16 HEX FLG NYLOC	63..	539 132888.....	2.....	FITTING, 10-8 90°
32..	539 990613.....	1.....	NUT 3/8-16 HEX WHIZLK	64..	576 191301.....	1.....	FITTING, HYD, 6500-10-8

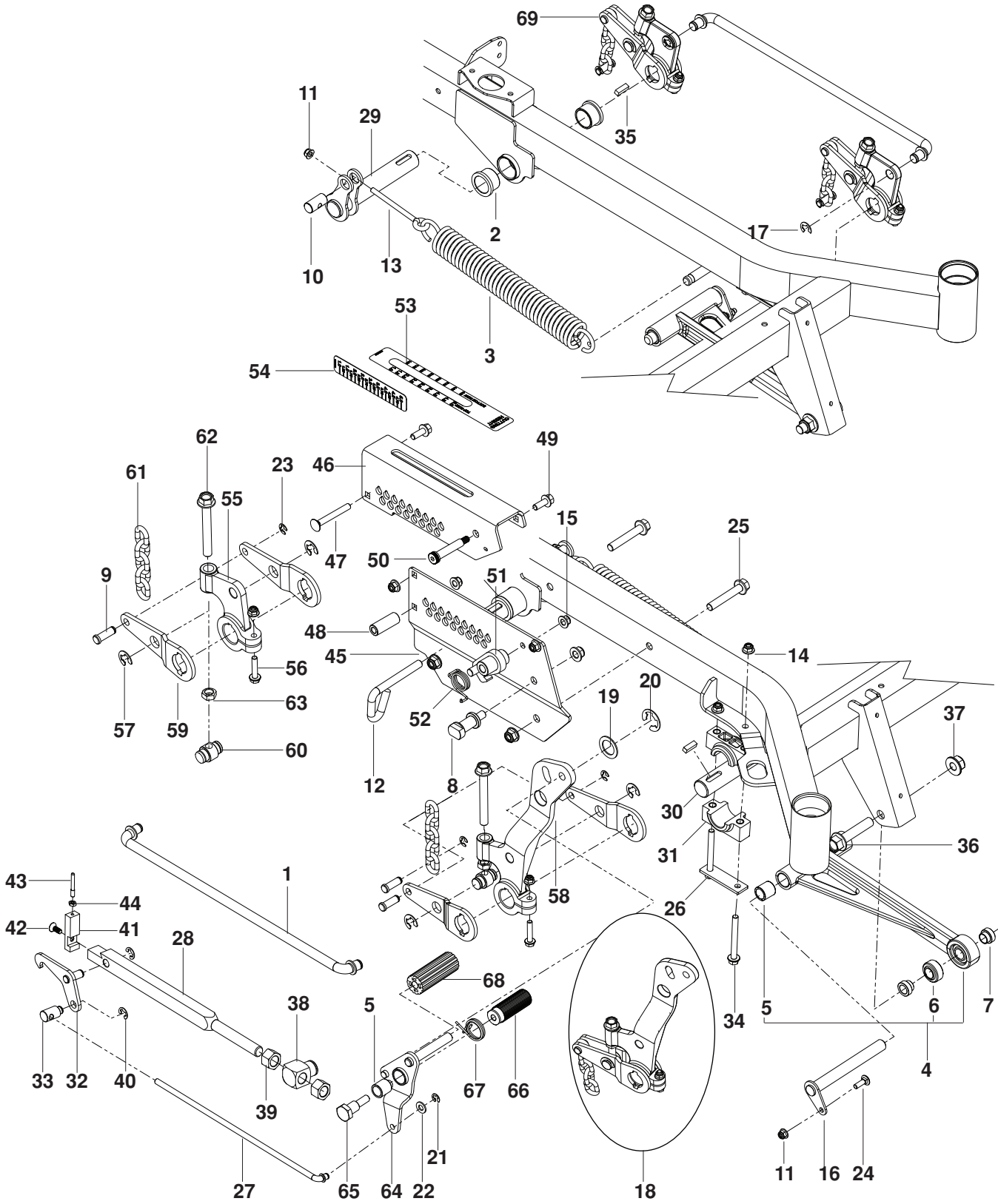
WHEELS AND TIRES



WHEELS AND TIRES

ITEM	PART NO.	QTY.	DESCRIPTION	ITEM	PART NO.	QTY.	DESCRIPTION
1..	510 034001.....	2.....	CAP, DUST	12..	539 101474.....	2.....	ZERK
2..	522 842601.....	2.....	NUT ¾-16 HEX THIN NYLOC	13..	539 103300.....	2.....	ZERK
3..	574 824701.....	2.....	WASHER ¾ HARDENED	14..	539 912234.....	2.....	STEM, VALVE
4..	510 034401.....	4.....	BEARING, TAPERED	15..	516 022901.....	2.....	WHEEL ASSY
5..	510 034301.....	2.....	SEAL, BEARING	16..	516 022902.....	2.....	RIM 12 x 8.5 CENTERED
6..	539 105518.....	4.....	AXLE SPACER	17..	539 107715.....	2.....	TIRE 26 x 12-12
7..	510 154601.....	2.....	TIRE ASSY 13 x 6.5, FLT FREE	NOT SHOWN			
8..	539 105517.....	2.....	BOLT ½-13 x 9½ HEX NYLOC	539 105521.....	2.....	TIRE ASSY 13 x 6.5 PNEU (optional)	
9..	521 991101.....	2.....	NUT ½-13 HEX FLG NYLOC				
10..	525 611902.....	2.....	FORK, CASTER ORG				
11..	539 990250.....	2.....	WASHER ½ SAE				

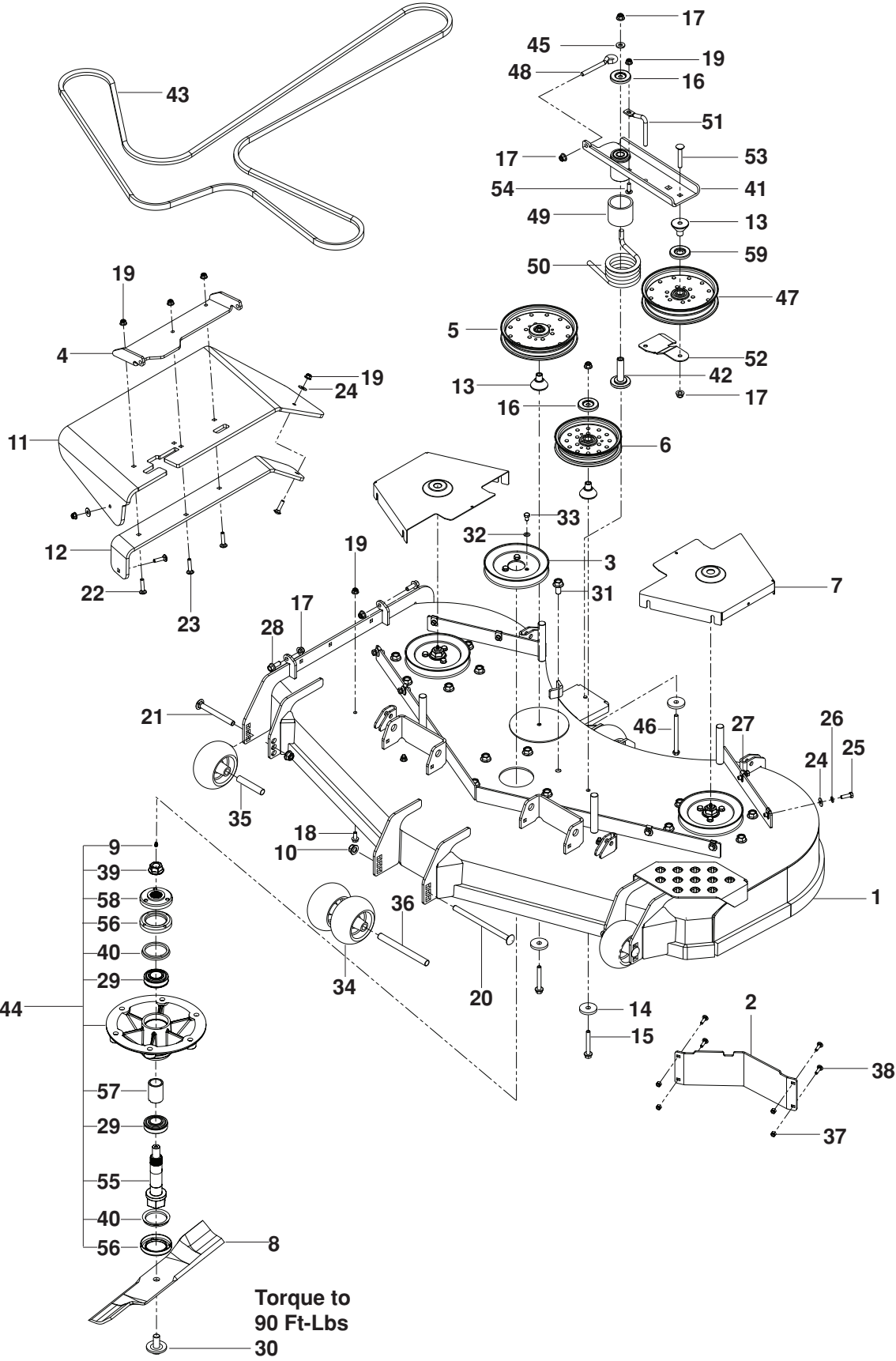
MOWER LIFT / DECK LIFT



MOWER LIFT / DECK LIFT

ITEM	PART NO.	QTY.	DESCRIPTION	ITEM	PART NO.	QTY.	DESCRIPTION
1..	510 089801.....	2.....	ROD, LIFT	36..	525 829001.....	2.....	SCREW 5/8-11 x 3 HEX FLG
2..	510 089401.....	4.....	BUSHING, FLANGED 1¼ ID	37..	525 829101.....	2.....	NUT 5/8-11 FLG NYLOC
3..	510 029201.....	2.....	SPRING, EXTENSION	38..	510 406401.....	1.....	SWIVEL, HEIGHT BAR
4..	510 106501.....	2.....	STRUT ASSY	39..	539 108677.....	2.....	NUT ¾-10 HEX
5..	510 089201.....	2.....	BUSHING ¾ x 1 SLEEVE	40..	539 101949.....	2.....	E-RING ½"
6..	510 083801.....	1.....	BALLJOINT ¾ SWIVEL	41..	510 406501.....	1.....	CAP, HEIGHT BAR
7..	510 362501.....	4.....	SPACER, STRUT	42..	522 705601.....	1.....	SCREW 5/16-18 x ¾ HEX SCKT
8..	510 406701.....	1.....	GUIDE, HEIGHT BAR	43..	510 406601.....	1.....	LINK, INDICATOR
9..	510 090101.....	8.....	PIN 7/16 CLEVIS	44..	539 991112.....	1.....	NUT ¼-20 JAM
10..	510 412301.....	2.....	PIVOT, SPRING	45..	510 408502.....	1.....	PLATE, INNER HEIGHT
11..	539 112899.....	8.....	NUT 5/16-18 HEX FLANGE NYLOC	46..	510 408602.....	1.....	PLATE, OUTER HEIGHT
12..	510 016501.....	1.....	PIN, HEIGHT	47..	539 122728.....	1.....	BOLT ¾-16 x 3 RD HD GR2
13..	539 120993.....	2.....	EYEBOLT 4½	48..	510 408401.....	1.....	SPACER, HEIGHT PLATE
14..	521 996501.....	4.....	NUT ¾-16 HEX FLG NYLOC	49..	525 612801.....	2.....	SCREW ¾-16 x 1 HEX FLG
15..	521 991101.....	3.....	NUT ½-13 HEX FLG NYLOC	50..	516 035501.....	1.....	BOLT ½ x 2¼, ¾-16 SHLDR
16..	515 988201.....	2.....	PIN, STRUT	51..	510 406801.....	1.....	LATCH, TRANSPORT
17..	539 105069.....	4.....	E-RING 5/8	52..	510 376601.....	1.....	SPRING, TORSION
18..	525 465502.....	1.....	DECK LIFT LEVER ASSY	53..	516 038101.....	1.....	DECAL, HEIGHT
19..	539 916561.....	1.....	BUSHING 1" x 14 GA	54..	525 349701.....	1.....	DECAL, HEIGHT
20..	539 912730.....	1.....	E-RING 1"	55..	510 022501.....	1.....	ARM, CAST LIFT
21..	539 990870.....	1.....	E-RING ¾"	56..	525 465401.....	1.....	SCREW 5/16-18 x 1½ HEX FLG
22..	539 990122.....	1.....	WASHER, ¾ SAE FLT	57..	539 102454.....	3.....	E-RING ¾"
23..	522 705201.....	4.....	E-RING 7/16"	58..	510 022502.....	1.....	LEVER, DECK LIFT
24..	539 990208.....	2.....	BOLT 5/16-18 x 1 RD HD	59..	510 410002.....	4.....	ARM, LIFT
25..	525 828901.....	2.....	BOLT ½-13 x 3 HEX FLG	60..	510 023601.....	4.....	SHAFT, LIFT TRUNION
26..	525 822201.....	2.....	PLATE, PILLOW BLOCK	61..	539 102641.....	4.....	LIFT CHAIN
27..	510 407601.....	1.....	ROD, HEIGHT LATCH	62..	525 465701.....	4.....	BOLT ½-13 x 4 HEX TPBLT
28..	510 406301.....	1.....	BAR, HEIGHT	63..	539 990625.....	4.....	NUT ½-13 HEX JAM
29..	510 410703.....	2.....	SHAFT, RR LIFT	64..	510 407801.....	1.....	PEDAL, RELEASE
30..	510 409602.....	1.....	SHAFT, LIFT, FT	65..	510 408201.....	1.....	BOLT, SHOULDER
31..	510 023902.....	4.....	BLOCK, PILLOW	66..	510 089501.....	1.....	PAD, FOOT PEDAL
32..	510 407201.....	1.....	LATCH, HEIGHT	67..	510 376701.....	1.....	SPRING, TORSION
33..	510 407501.....	1.....	SWIVEL, HEIGHT LATCH	68..	510 408301.....	1.....	PEDAL, DECK HEIGHT
34..	525 822101.....	4.....	SCREW ¾-16 x 3½ HEX FLG	69..	525 465501.....	3.....	DECK LIFT CRANK ASSY
35..	525 822501.....	4.....	KEY 5/16 SQ x 1				

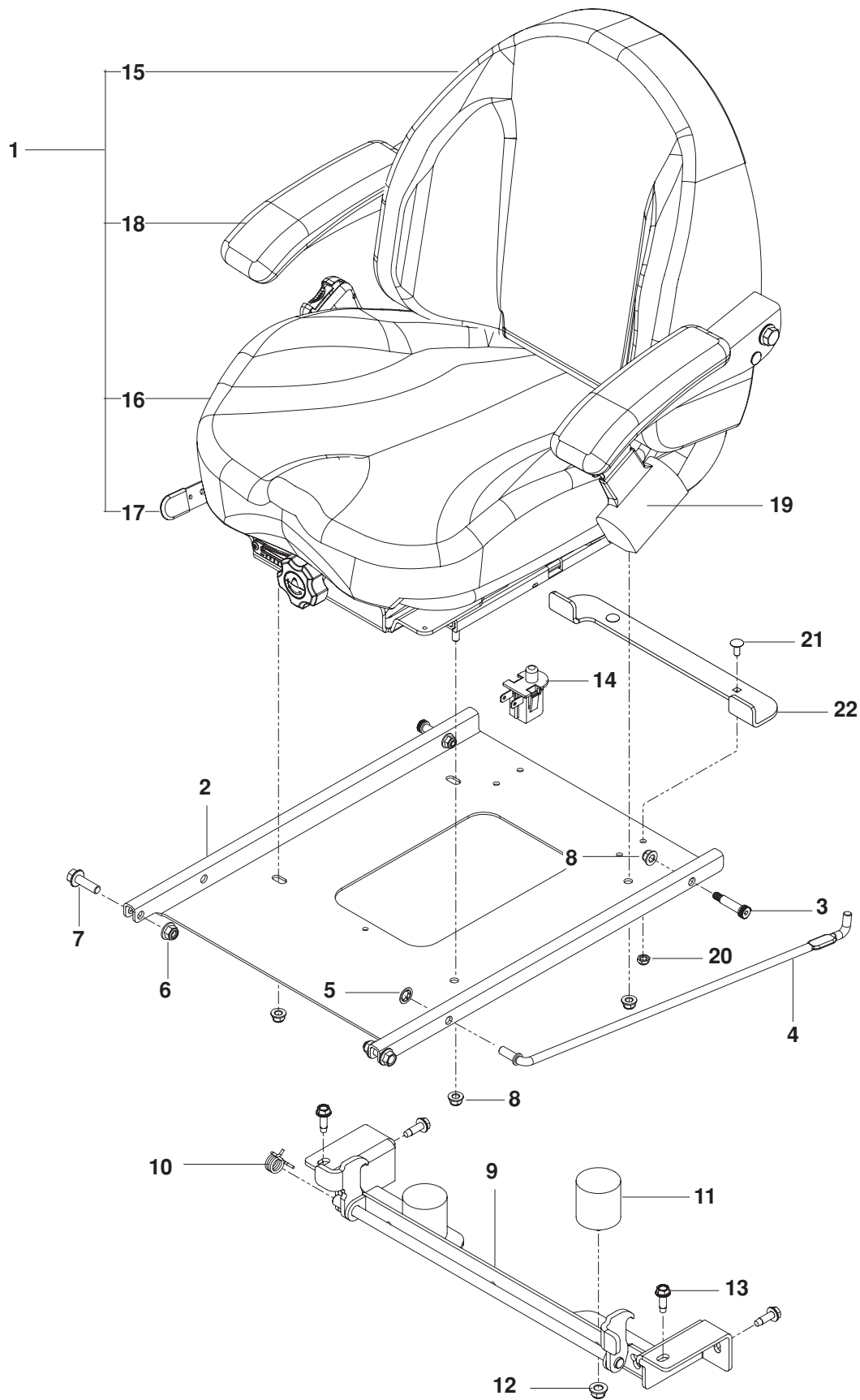
MOWER DECK / CUTTING DECK



MOWER DECK / CUTTING DECK

ITEM	PART NO.	QTY.	DESCRIPTION	ITEM	PART NO.	QTY.	DESCRIPTION
1..	574 497201.....	1.....	DECK w/ SAFETY DECALS	33..	539 130315.....	9.....	BOLT $\frac{5}{16}$ -18 x $\frac{1}{2}$ HEX NYLOC
2..	510 437502.....	1.....	BAFFLE, FLOW DIVERTER	34..	574 169601.....	5.....	ROLLER, GAUGE
3..	539 130646.....	3.....	PULLEY	35..	574 196401.....	2.....	TUBE, ROLLER AXLE
4..	574 197002.....	1.....	BRACKET, CHUTE PIVOT BLK	36..	574 196501.....	1.....	TUBE, ROLLER AXLE LONG
5..	525 598201.....	1.....	PULLEY, IDLER 7" NARROW	37..	539 976978.....	4.....	NUT $\frac{1}{4}$ -20 HEX NYLOC
6..	510 019601.....	1.....	PULLEY, IDLER, 6"	38..	539 115620.....	4.....	BOLT $\frac{1}{4}$ -20 x $\frac{3}{4}$ CARRIAGE
7..	510 131202.....	2.....	SHIELD, BELT	39..	539 130653.....	3.....	NUT $\frac{3}{4}$ -16 FLG
8..	539 105711.....	3.....	BLADE, 21"	40..	539 130639.....	6.....	V-RING
9..	539 976998.....	3.....	ZERK	41..	574 722201.....	1.....	ARM, IDLER w/ BRGS, SPACR
10..	521 991101.....	4.....	NUT $\frac{1}{2}$ -13 HEX FLG NYLOC	42..	522 729701.....	1.....	BEARING, IDLER PIVOT
11..	525 485801.....	1.....	CHUTE, DISCHARGE	43..	522 860201.....	1.....	BELT, DECK
12..	525 486002.....	1.....	BRACKET, CHUTE SUPPORT	44..	525 836401.....	3.....	SPINDLE ASSY
13..	510 263701.....	3.....	BEARING, IDLER ARM	45..	522 023401.....	1.....	WASHER $\frac{3}{8}$ THICK
14..	539 106504.....	3.....	WASHER, HEAVY	46..	539 101686.....	1.....	BOLT $\frac{3}{8}$ -16 x $4\frac{1}{2}$ HEX GR 8
15..	539 131781.....	2.....	SCREW $\frac{3}{8}$ -16 x $2\frac{3}{4}$ HEX FLG	47..	510 015101.....	1.....	PULLEY, IDLER 7" WIDE
16..	510 254501.....	3.....	SHIELD, DUST	48..	574 202001.....	1.....	EYEBOLT $\frac{3}{8}$ x 4
17..	521 996501.....	4.....	NUT $\frac{3}{8}$ -16 HEX FLG NYLOC	49..	525 465601.....	1.....	SPACER, IDLER PIVOT
18..	525 464701.....	3.....	HHFS $\frac{5}{16}$ -18 x $\frac{3}{4}$	50..	525 310901.....	1.....	SPRING, TORSION
19..	539 112899.....	9.....	NUT $\frac{5}{16}$ -18 HEX FLANGE NYLOC	51..	574 262201.....	1.....	KEEPER, BELT
20..	510 022401.....	1.....	BOLT $\frac{1}{2}$ -13 x 8 RD HD	52..	574 262102.....	1.....	GUIDE, BELT
21..	510 022301.....	3.....	BOLT $\frac{1}{2}$ -13 x $4\frac{3}{4}$ RD HD	53..	539 128101.....	1.....	BOLT $\frac{3}{8}$ -16 x $2\frac{1}{2}$ CARRIAGE
22..	539 102933.....	3.....	BOLT $\frac{5}{16}$ -18 x $1\frac{1}{2}$ RD HD	54..	539 107271.....	1.....	BOLT $\frac{5}{16}$ -18 x 1 RD HD
23..	539 100472.....	2.....	BOLT $\frac{5}{16}$ -18 x $1\frac{1}{4}$ RD HD	55..	525 836001.....	3.....	SHAFT, SPINDLE
24..	539 990692.....	10.....	WASHER $\frac{5}{16}$ STD FLT	56..	539 130643.....	6.....	CUP, DEBRIS
25..	539 990209.....	8.....	HCS $\frac{5}{16}$ -18 x 1	57..	539 130641.....	3.....	SPACER
26..	539 990187.....	8.....	WASHER $\frac{5}{16}$ SLW	58..	539 130637.....	3.....	HUB
27..	539 104763.....	8.....	RETAINER, U TYPE	59..	510 262201.....	1.....	SHIELD, DUST
28..	525 612801.....	2.....	SCREW $\frac{3}{8}$ -16 x 1 HEX FLG	NOT SHOWN - OPTIONAL			
29..	539 130638.....	6.....	BEARING	522 829301.....	3.....	BLADE, HIGH LIFT 21"	
30..	539 119007.....	3.....	BLADE BOLT	574 481301.....	3.....	BLADE, LOW LIFT 21"	
31..	574 210601.....	18.....	SCREW $\frac{1}{2}$ -13 x 1 HEX FLG	522 936601.....	3.....	BLADE, GATOR 21"	
32..	539 109600.....	9.....	WASHER $\frac{5}{16}$ DISC SPRING	539 109755.....	3.....	BLADE, WAVY REV LIFT 21"	

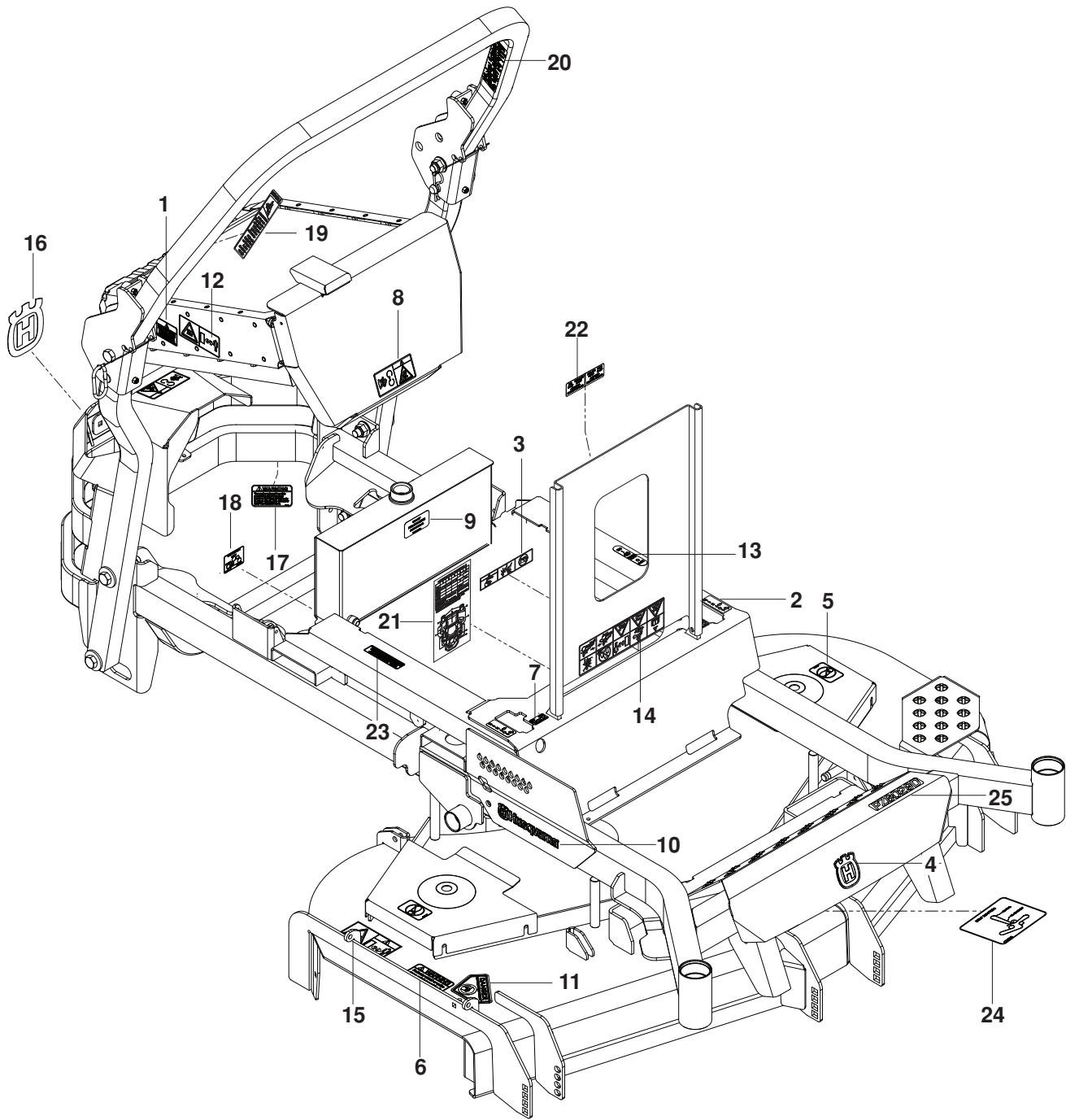
SEAT



SEAT

ITEM	PART NO.	QTY.	DESCRIPTION	ITEM	PART NO.	QTY.	DESCRIPTION
1..	574 284601.....	1.....	SEAT ASSY	13..	539 113226.....	4.....	BOLT ⁵ / ₁₆ -18 x 1 THD FRM
2..	510 039302.....	1.....	PAN, SEAT BLK	14..	539 119741.....	1.....	SWITCH, SEAT
3..	515 990601.....	2.....	BOLT ³ / ₈ x 1 ¹ / ₄ ⁵ / ₁₆ -18 SHLDR	15..	574 284602.....	1.....	COVER, BACK
4..	510 064101.....	1.....	ROD, SEAT	16..	574 284603.....	1.....	COVER KIT, CUSHION
5..	539 913847.....	2.....	RETAINER NUT ³ / ₈	17..	574 284604.....	1.....	TRACK KIT
6..	521 996501.....	2.....	NUT ³ / ₈ -16 HEX FLG NYLOC	18..	574 284605.....	1.....	ARMREST, LT
7..	525 834201.....	2.....	HHFS ³ / ₈ -16 x 1 ¹ / ₄		574 284606.....	1.....	ARMREST, RT
8..	539 112899.....	6.....	NUT ⁵ / ₁₆ -18 HEX FLANGE NYLOC	19..	539 130359.....	1.....	SEAT BELT
9..	574 182202.....	1.....	LATCH, SEAT	20..	539 108120.....	2.....	NUT ¹ / ₄ -20 HEX THIN NYLOC
10..	520 283101.....	1.....	SPRING, TORSION	21..	539 111786.....	2.....	RHSSNB ¹ / ₄ -20 x ⁵ / ₈
11..	510 283801.....	2.....	BUMPER, RUBBER	22..	575 321702.....	1.....	STOP, SEAT BLK
12..	521 996501.....	2.....	NUT ³ / ₈ -16 HEX FLG NYLOC				

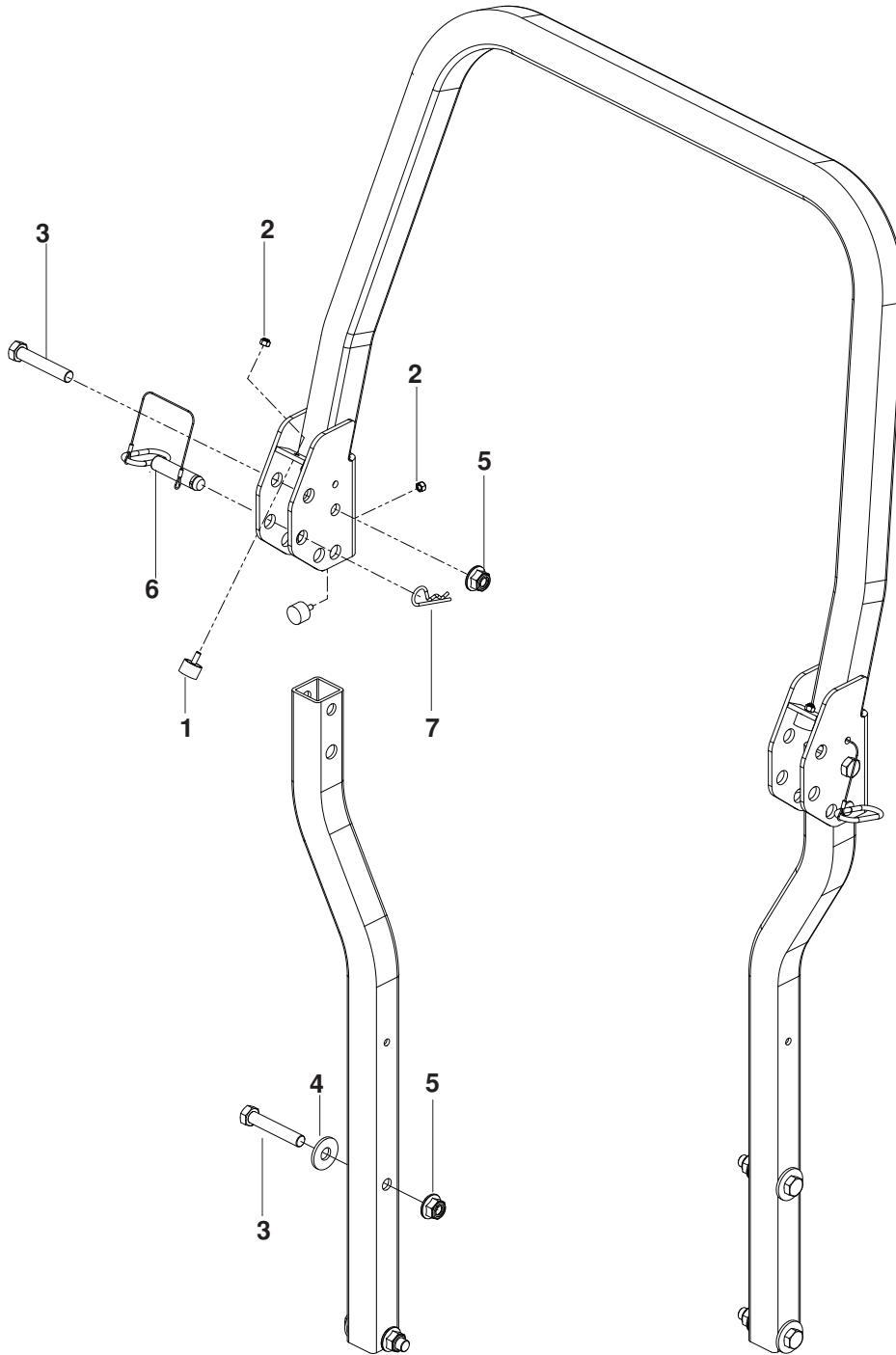
DECALS



DECALS

ITEM	PART NO.	QTY.	DESCRIPTION	ITEM	PART NO.	QTY.	DESCRIPTION
1..	522 860901.....	2.....	DECAL, DEBRIS SCREEN	14..	539 107959.....	1.....	DECAL, WARNING
2..	539 103333.....	2.....	DECAL, MOTION CONTROL	15..	539 105746.....	1.....	DECAL, SEVERING
3..	539 105745.....	1.....	DECAL, BATTERY WARNING	16..	574 455001.....	1.....	DECAL, CROWN H, LG
4..	532 422011.....	1.....	DECAL, CROWN H, SM	17..	539 101881.....	1.....	DECAL, EXHAUST
5..	539 105743.....	2.....	DECAL, NO STEP	18..	574 483301.....	1.....	DECAL, HYDRO BELT
6..	539 113224.....	1.....	DECAL, WARNING	19..	574 569002.....	1.....	DECAL, ROPS, WARNING
7..	539 110974.....	2.....	DECAL, F.S.T	20..	574 569003.....	1.....	DECAL, ROPS, DIESEL
8..	539 105744.....	3.....	DECAL, DANGER BELT DRIVES	21..	574 825902.....	1.....	DECAL, SERVICE, DIESEL
9..	539 114832.....	1.....	DECAL, OIL TANK	22..	574 569402.....	1.....	DECAL, FUSE, DIESEL
10..	532 422012.....	2.....	DECAL, HUSQVARNA HOOD	23..	532 424102.....	1.....	DECAL, SPARK ARRESTOR
11..	539 913010.....	1.....	DECAL, CPSC	24..	574 437301.....	1.....	DECAL, BELT ROUTING
12..	539 108497.....	2.....	DECAL, HOT	25..	575 622701.....	1.....	DECAL, PZ6029D
13..	539 120006.....	1.....	DECAL, PARK BRAKE				

PROTECTION FRAME



PROTECTION FRAME

ITEM	PART NO.	QTY.	DESCRIPTION
1..	522 801401.....	4.....	BUMPER, MALE STUD 1/4-20
2..	539 976978.....	4.....	NUT 1/4-20 HEX NYLOC
3..	539 115576.....	6.....	HHB 5/8-18 x 3 1/2
4..	539 102653.....	4.....	WASHER 5/8 STD FLAT

ITEM	PART NO.	QTY.	DESCRIPTION
5..	525 829101.....	6.....	NUT 5/8-11 FLG NYLOC
6..	574 388001.....	2.....	LATCH PIN w/ LANYARD
7..	539 200715.....	2.....	PIN, HAIR

