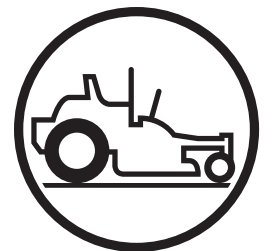




Parts Manual

RZ42I9BF / 966582201

Please read the operator's manual carefully and make sure you understand the instructions before using the machine.



When you need spare parts or support in service questions, warranty issues, etc., please consult the following professional:

This Parts Manual belongs to the machine with the manufacturing number:	Engine	Transmission

Manufacturing Number

The machine's manufacturing number can be found on the printed plate affixed to the engine compartment.

Stated on the plate, from the top are:

- The machine's type designation (I.D.).
- The manufacturer's type number (Model).
- The machine's serial number (Serial no.)

Please have the type designation and serial number available when ordering spare parts.

The engine's manufacturing number is stamped on one of the valve covers.

The plate states:

- The engine's model.
- The engine's type.
- Code

Please have these available when ordering spare parts.

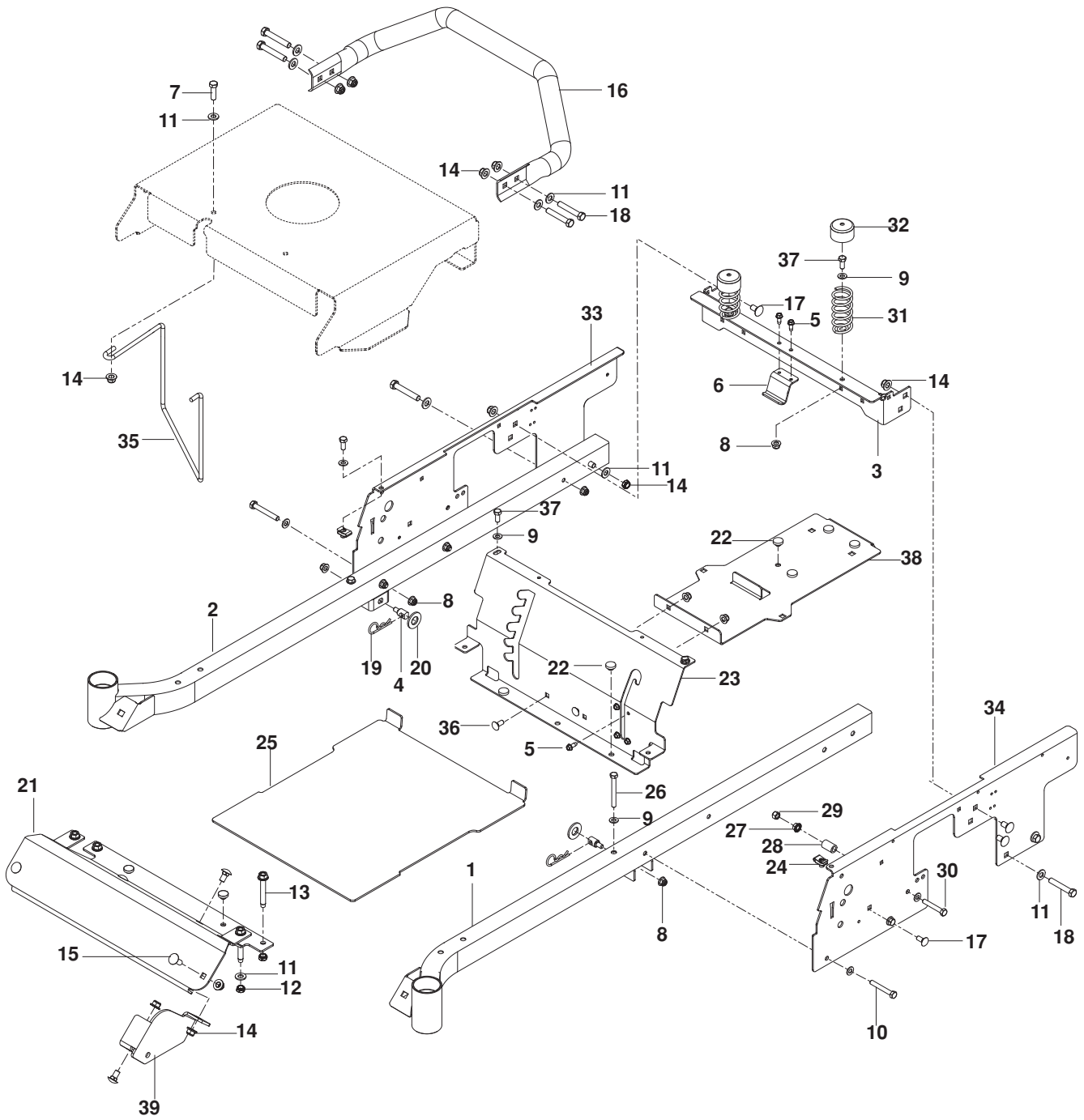
Wheel motors and hydrostatic pumps have a barcode decal affixed at the rear.

CONTENTS

CHASSIS / FRAME	4	WHEELS / TIRES.....	14
ENGINE PLATE.....	6	BRAKE / DECK LIFT	16
STEERING	8	MOWER DECK / CUTTING DECK	18
IGNITION.....	10	SEAT	20
HYDRAULIC PUMP / MOTOR	12	DECALS	22

NOTE: ALL FASTENERS ARE GRADE 5 UNLESS OTHERWISE SPECIFIED.

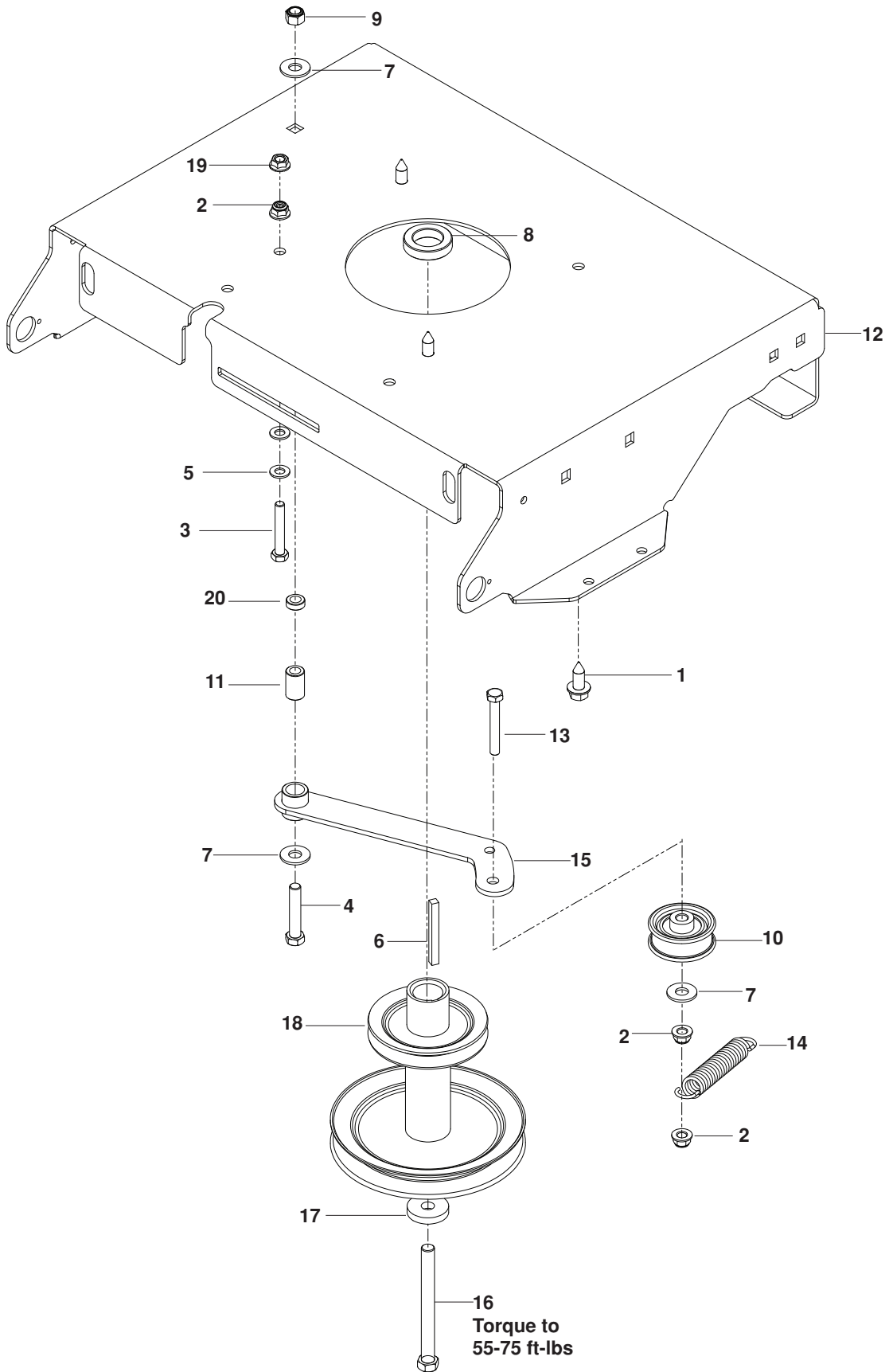
FRAME



FRAME

ITEM	PART NO.	QTY.	DESCRIPTION	ITEM	PART NO.	QTY.	DESCRIPTION
1..	525 454702....	1FRAME TUBE, LH	21..	574 356002....	1 FOOT REST
2..	525 454902....	1FRAME TUBE, RH	22..	539 102587....	8 GROMMET, BUMPER
3..	574 356402....	1SEAT SUPPORT, REAR	23..	575 661302....	1 PANEL, SEAT SUPPORT
4..	532 195161....	2STUD w/ ANTI-ROTATE	24..	539 104763....	4U TYPE RETAINER
5..	539 990362....	6 SCREW 1/4-20 x 5/8 SLF TAP	25..	576 414602....	1 FOOT PLATE
6..	525 864502....	1BRACKET, FUEL TANK	26..	539 101721....	2 HCS 5/16-18 x 2 3/4
7..	539 976941....	2HCS 3/8-16 x 1 1/4	27..	539 990585....	4 NUT 5/16-18 HEX WHIZLK
8..	539 112899..	14 NUT 5/16-18 FLANGE NYLOC	28..	539 119087....	2 BUSHING
9..	539 990188..	12 WASHER 5/16 SAE FLAT	29..	539 990717....	6 NUT 5/16-18 HEX NYLOC
10..	539 976938....	4HCS 5/16-18 x 2 1/4	30..	539 976937....	2 HCS 5/16-18 x 2
11..	539 990122....	8 WASHER 3/8 SAE FLT	31..	539 122632....	2 SPRING, SEAT
12..	539 200282....	8 NUT 3/8-16 HEX JAM NYLOC	32..	539 119884....	2 CAP, SPRING
13..	539 111976....	4 BOLT 3/8-16 x 2 5/8 THD FRM	33..	575 328402....	1 PLATE, RH
14..	521 996501..	14 NUT 3/8-16 FLANGE NYLOC	34..	575 328302....	1 PLATE, LH
15..	539 990645....	2 RHSNB 3/8-16 x 1	35..	575 952201....	2 KEEPER, BELT
16..	574 354702....	1 GUARD, REAR	36..	539 990316....	2 RHSNB 5/16-18 x 3/4
17..	539 111785....	6 RHSNB 3/8-16 x 3/4	37..	539 976934....	4 HCS 5/16-18 x 3/4
18..	539 990629....	8HCS 3/8-16 x 2 1/4	38..	525 798402....	1 SUPPORT, TANK
19..	539 976989....	2 HAIRPIN	39..	525 605502....	1 BRACKET, FRONT DECK
20..	539 976982....	2 WASHER 5/8 SAE FLT				

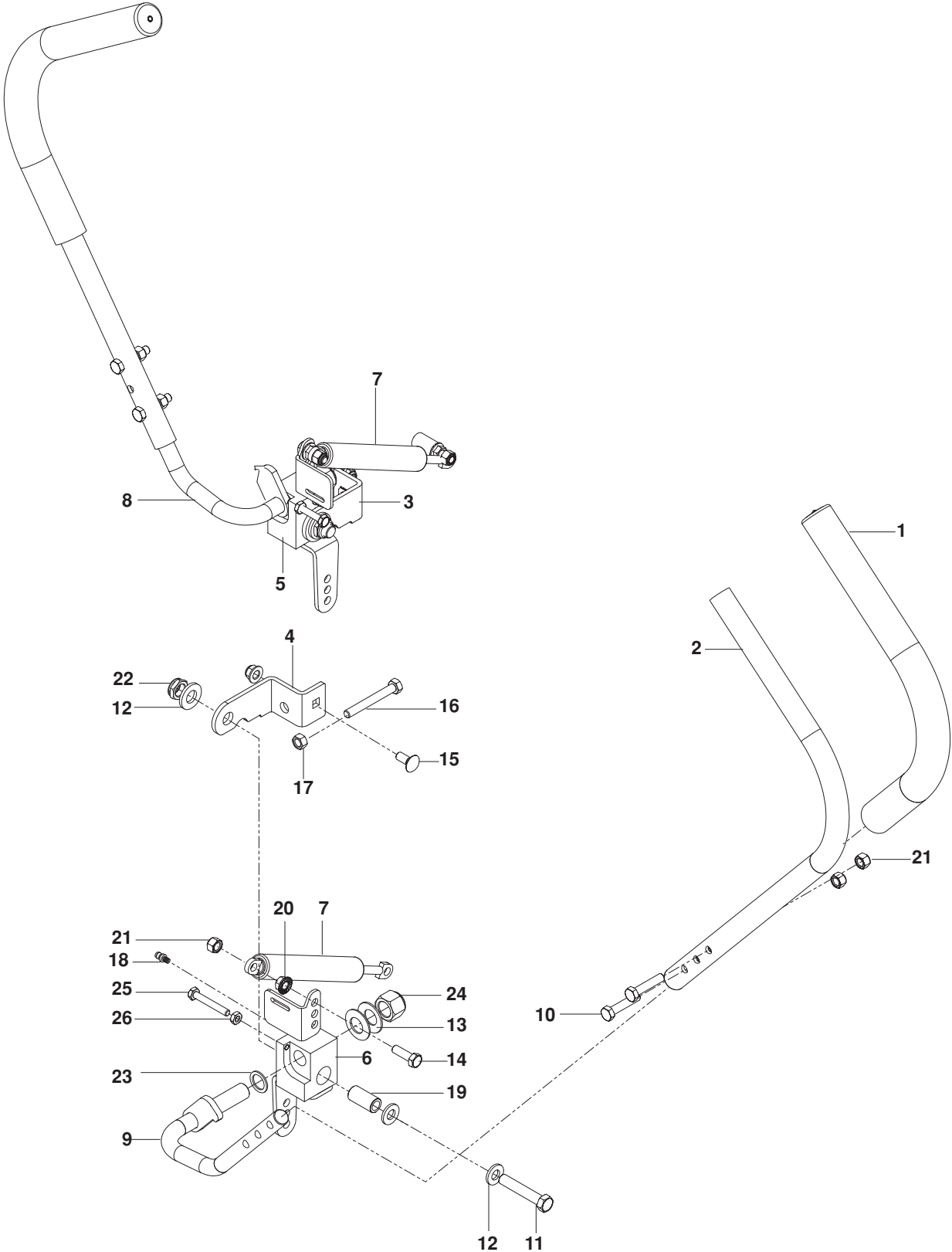
ENGINE PLATE



ENGINE PLATE

ITEM	PART NO.	QTY.	DESCRIPTION	ITEM	PART NO.	QTY.	DESCRIPTION
1..	532 120616....	3 HHFS 3/8-16 x 1 THD FRM	11..	539 115270....	1 BUSHING, METAL
2..	539 112899....	3 NUT 5/16-18 FLANGE NYLOC	12..	574 355802....	1 PLATE, ENGINE
3..	539 976937....	1 HCS 5/16-18 x 2	13..	539 108396....	1 HCS 5/16-18 x 2 1/2
4..	539 990588....	1 HCS 3/8-16 x 2	14..	539 116350....	1 SPRING 3 1/2
5..	539 990188....	2 WASHER 5/16 SAE FLAT	15..	574 497504....	1 IDLER ARM
6..	539 917033....	1 KEY 1/4 SQ x 2 1/2 LG	16..	574 882801....	1 HCS 7/16-20 x 4
7..	539 990517....	3 WASHER 3/8 FLAT STD	17..	539 115546....	1 WASHER
8..	539 114387....	1 SPACER	18..	574 382001 ...	1 PULLEY, ENGINE
9..	539 200282....	1 NUT 3/8-16 HEX JAM NYLOC	19..	539 990585....	1 NUT 5/16-18 HEX WHIZLK
10..	539 120812....	1 PULLEY, IDLER	20..	539 109562....	1 WASHER 3/8 x 3/4 SPEC

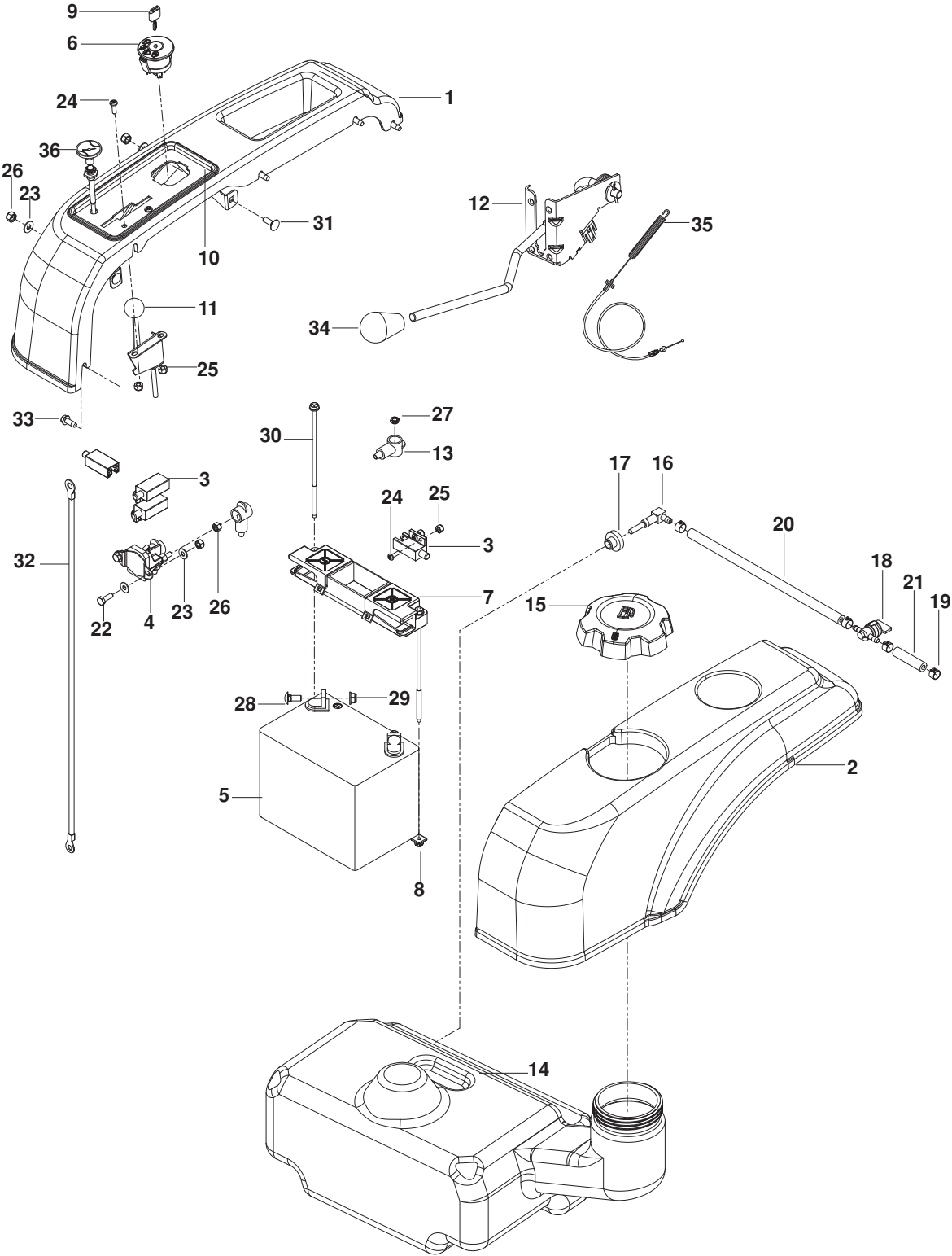
STEERING



STEERING

ITEM	PART NO.	QTY.	DESCRIPTION	ITEM	PART NO.	QTY.	DESCRIPTION
1..	539 120899....2	GRIP	14..	539 990209....2	HCS $\frac{5}{16}$ -18 x 1
2..	539 120160....2	LEVER, UPPER	15..	539 990316....2	RHSNB $\frac{5}{16}$ -18 x $\frac{3}{4}$
3..	539 117949....1	STOP, STEER CNTRL RH	16..	539 108396....2	BOLT, HEX $\frac{5}{16}$ -18 x $2\frac{1}{2}$ TPBLT
4..	539 117950....1	STOP, STEER CNTRL LH	17..	539 990196....2	NUT, $\frac{5}{16}$ -18 HEX
5..	539 120984....1	PIVOT, RH	18..	539 115638....2	ZERK
6..	539 120983....1	PIVOT, LH	19..	539 120956....2	BUSHING $\frac{1}{2}$ ID x $\frac{3}{4}$ OD
7..	539 114453....2	DAMPENER	20..	539 990585....2	NUT $\frac{5}{16}$ -18 HEX WHIZLK
8..	539 120159....1	LOWER LEVER, RH	21..	539 990717....6	NUT $\frac{5}{16}$ -18 HEX NYLOC
9..	539 120162....1	LOWER LEVER, LH	22..	539 108010....2	NUT $\frac{1}{2}$ -13 JAM NYLOC GR 2
10..	539 976935....4	HCS $\frac{5}{16}$ -18 x $1\frac{1}{2}$	23..	539 115570....2	WASHER, SPECIAL
11..	539 101332....2	HCS $\frac{1}{2}$ -13 x $2\frac{3}{4}$	24..	539 110340....2	NUT $\frac{5}{8}$ -11 NYLOC
12..	539 990250....6	WASHER $\frac{1}{2}$ SAE	25..	539 991003....2	HCS $\frac{1}{4}$ -20 x $1\frac{3}{4}$
13..	539 911121....4	WASHER $\frac{5}{8}$ BELLEVILLE	26..	539 991112....2	NUT $\frac{1}{4}$ -20 JAM

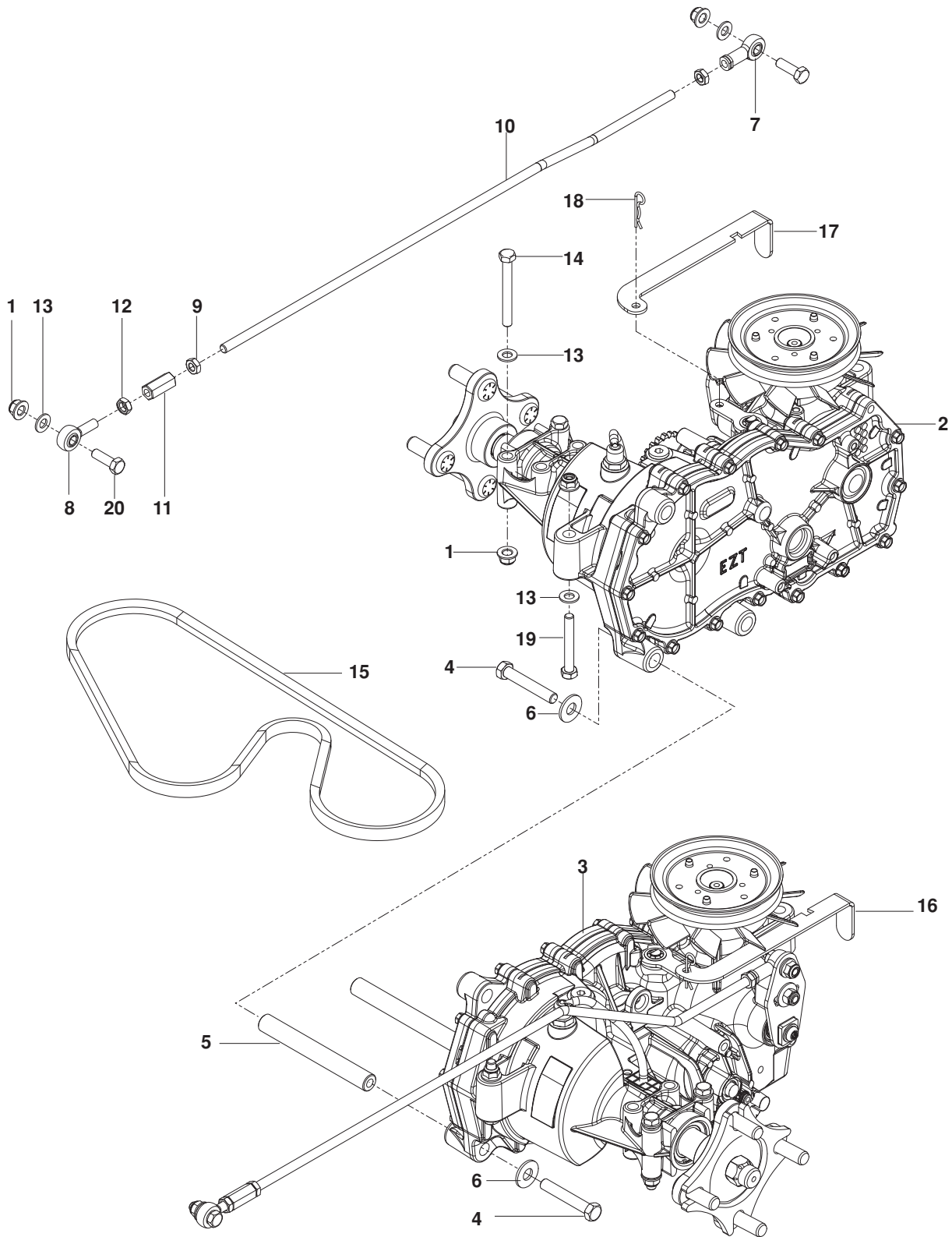
IGNITION



IGNITION

ITEM	PART NO.	QTY.	DESCRIPTION	ITEM	PART NO.	QTY.	DESCRIPTION
1..	525 594701....	1	FENDER, RH	22..	539 990580....	2	HCS 1/4-20 x 3/4
2..	525 594702....	1	FENDER, LH	23..	539 990055....	4	WASHER 1/4 FLAT SAE
3..	539 101080....	4	SWITCH	24..	539 976952....	8	SCREW #10-24 x 5/8
4..	539 101714....	1	SOLENOID	25..	539 976977....	8	NUT #10-24 HEX NYLOC
5..	539 102436....	1	BATTERY	26..	539 976978....	4	NUT 1/4-20 HEX NYLOC
6..	539 107541....	1	SWITCH, IGNITION	27..	539 108120....	1	NUT 1/4-20 HEX THIN NYLOC
7..	539 107628....	1	BATTERY HOLD DOWN	28..	539 990316....	2	RHSNB 5/16-18 x 3/4
8..	539 107629....	2	NUT 1/4 PUSH NYLON	29..	539 112899....	2	NUT 5/16-18 FLANGE NYLOC
9..	539 107544....	1	KEY, IGNITION	30..	539 107632....	2	BOLT 1/4 x 7 1/2
10..	575 962901....	1	PANEL, CONTROLS	31..	539 990074....	2	RHSNB 1/4-20 x 3/4 GR2
11..	522 730101....	1	CABLE, THROTTLE	32..	539 110068....	1	BATTERY CABLE, NEGATIVE
12..	575 661501....	1	CLUTCH ASSY w/ CABLE	33..	539 990362....	9	SCREW 1/4-20 x 5/8 SLF TAP
13..	539 116400....	3	TERMINAL COVER, SM	34..	539 132624....	1	KNOB, CLUTCH
14..	574 790702....	1	TANK, FUEL	35..	532 193235....	1	CABLE, CLUTCH
15..	539 130393....	1	CAP, FUEL	36..	539 130209....	1	CONTROL, CHOKE
16..	539 124804....	1	ELBOW w/ FILTER	NOT SHOWN			
17..	539 126217....	1	FITTING, TANK	539 104974 ...	1	CABLE, POSITIVE	
18..	539 916325....	1	VALVE, FUEL	539 103306 ...	1	CABLE, POSITIVE LONG	
19..	539 912222....	4	CLAMP, HOSE	574 658201 ...	1	WIRING HARNESS	
20..	539 115736....	1	HOSE 1/4 x 8	539 110290 ...	2	FOAM STRIP, TANK	
21..	539 121486....	1	HOSE 1/4 x 2				

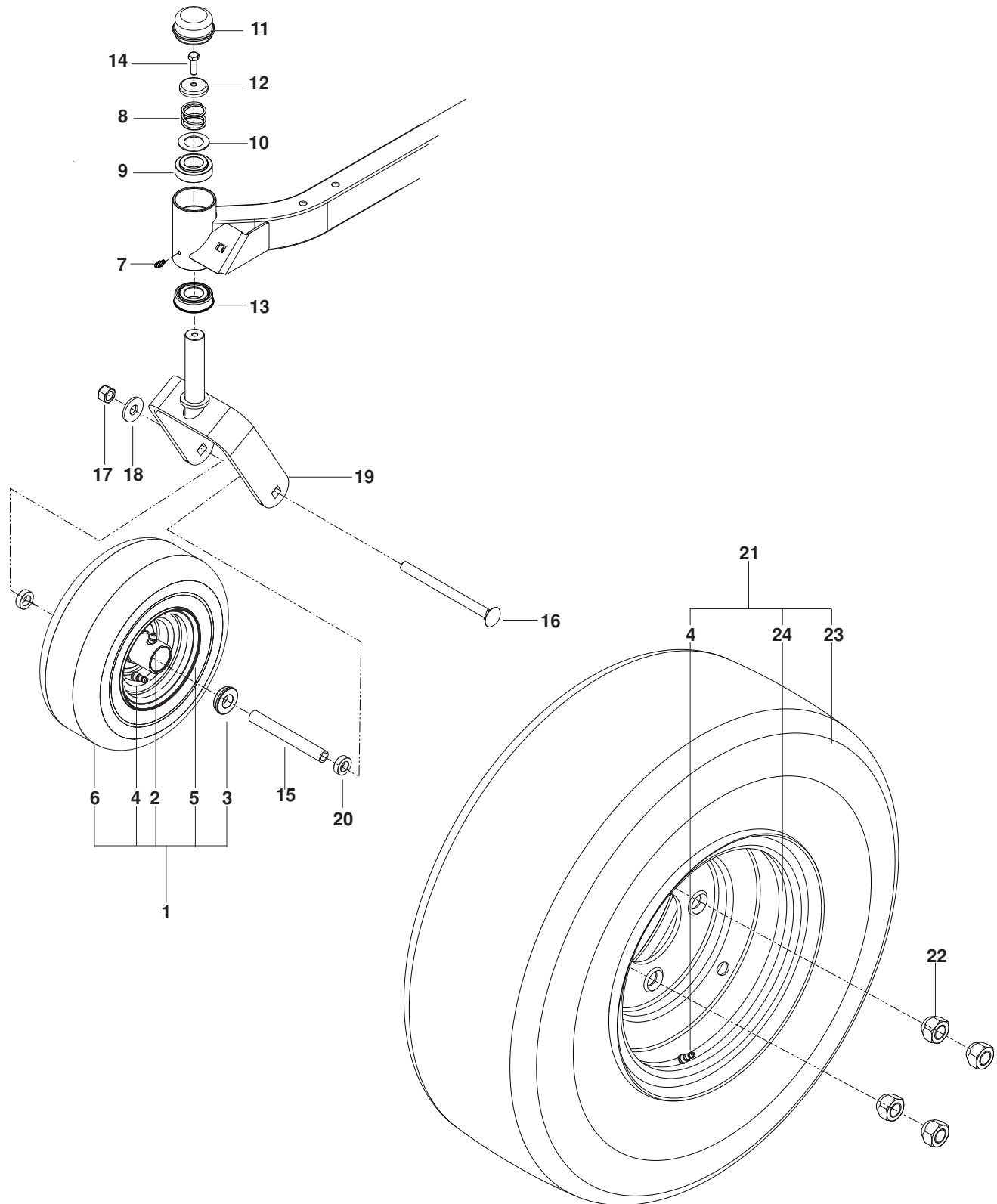
HYDRAULIC PUMP / MOTOR



HYDRAULIC PUMP / MOTOR

ITEM	PART NO.	QTY.	DESCRIPTION	ITEM	PART NO.	QTY.	DESCRIPTION
1..	539 112899..	10 NUT ⁵ / ₁₆ -18 FLANGE NYLOC	11..	539 116689....	2 ROD END COUPLER
2..	539 120152....	1 HYDRO, RH	12..	539 991073....	2 NUT ⁵ / ₁₆ -24 HEX JAM LH
3..	539 120153....	1 HYDRO, LH	13..	539 990188..	10 WASHER ⁵ / ₁₆ SAE FLAT
4..	539 990629....	4 HCS ³ / ₈ -16 x 2 ¹ / ₄	14..	539 101721....	4 HCS ⁵ / ₁₆ -18 x 2 ³ / ₄
5..	574 356501....	2 SPACER, HYDRO	15..	575852401....	1 BELT, EZT
6..	539 990517....	4 WASHER ³ / ₈ FLAT STD	16..	539 120156....	1 RELEASE HANDLE, LH
7..	539 115729....	2 ROD END, RH	17..	539 120157....	1 RELEASE HANDLE, RH
8..	539 116690....	2 ROD END, MALE LH	18..	539 976988....	2 HAIRPIN COTTER
9..	539 115502....	4 NUT ⁵ / ₁₆ -24 HEX JAM	19..	539 976938....	2 HCS ⁵ / ₁₆ -18 x 2 ¹ / ₄
10..	539 120169....	2 ROD, CONTROL	20..	539 990209....	4 HCS ⁵ / ₁₆ -18 x 1

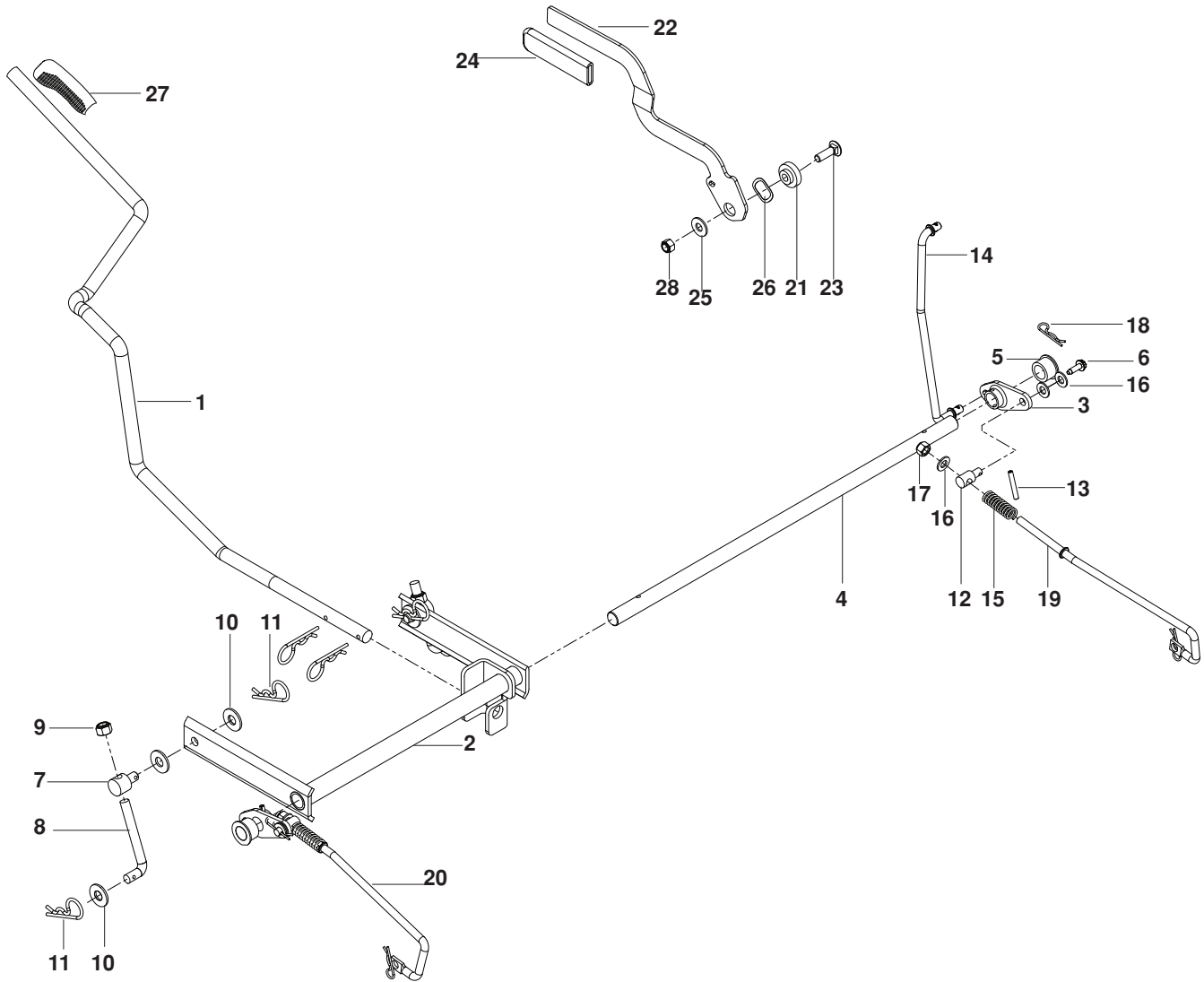
WHEELS / TIRES



WHEELS / TIRES

ITEM	PART NO.	QTY.	DESCRIPTION	ITEM	PART NO.	QTY.	DESCRIPTION
1..	516 001901....	2 CASTER TIRE ASSY	13..	539 112660....	2 BEARING, FLANGED
2..	539 103300....	2 ZERK	14..	539 115566....	2 HHB ⁵ / ₁₆ -18 x 1 NYLOC
3..	539 102484....	4 BEARING, FLANGED	15..	539 105543....	2 SPACER
4..	539 912234....	4 VALVE	16..	539 121159....	2 RHSNB 1/2-13 x 6 1/2
5..	539 106994....	2 RIM	17..	539 101331....	2 NUT 1/2 HEX NYLOC
6..	539 114697....	2 TIRE	18..	539 109554....	2 WASHER 1/2 FLAT
7..	539 115638....	2 ZERK	19..	510 186501....	2 YOKE, CASTER
8..	539 115747....	2 SPRING, CASTER	20..	539 114805....	4 SPACER ⁵ / ₁₆
9..	539 117901....	2 BUSHING, CASTER	21..	574 383701....	2 WHEEL ASSY REAR
10..	539 115675....	2 WASHER	22..	539 101173....	8 NUT 1/2 LUG
11..	539 102535....	2 CAP, GREASE	23..	539 117555....	2 TIRE 4 PLY 18 x 7.5 x 8
12..	539 115749....	2 PLUG, CASTER	24..	574 383601....	2 RIM

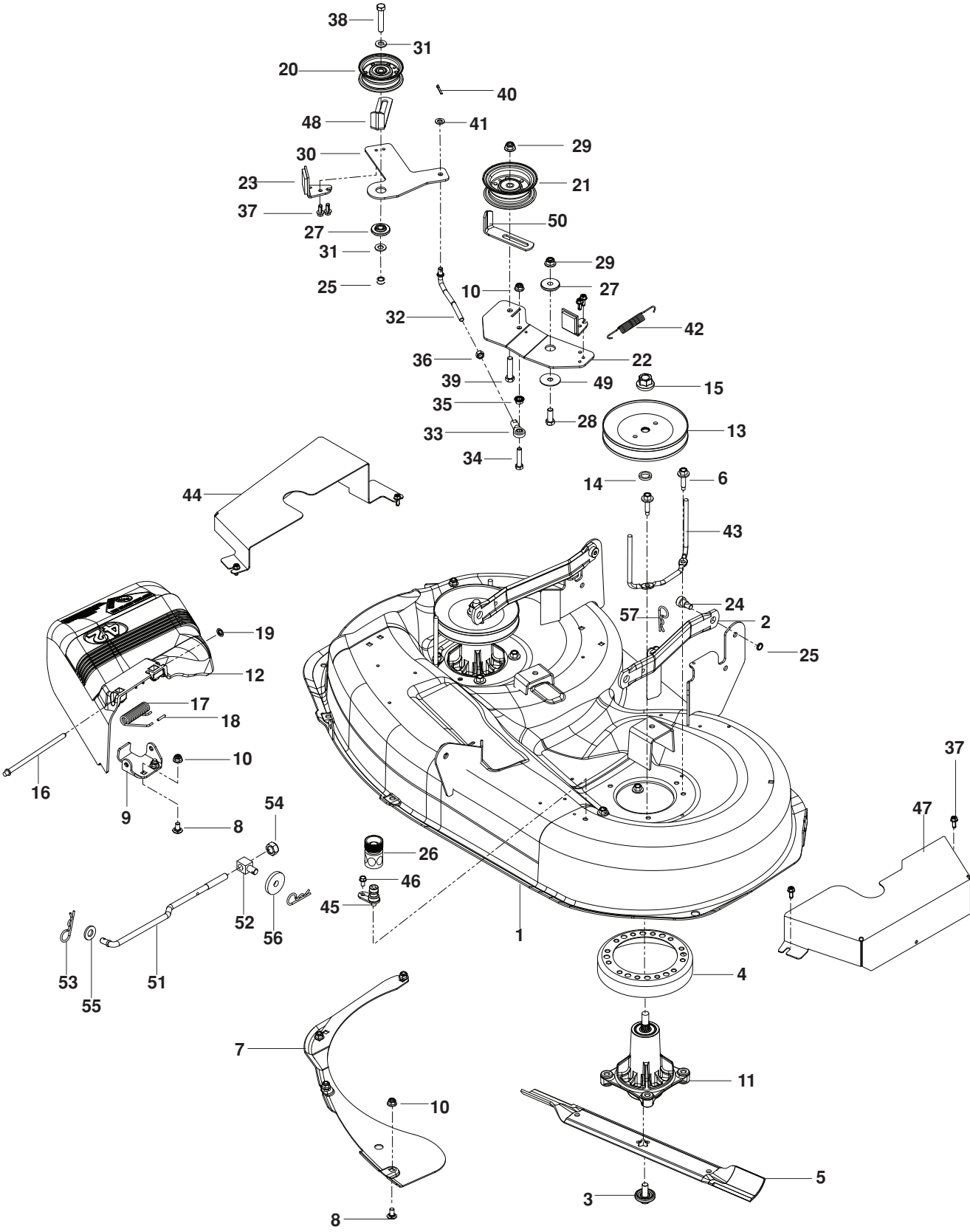
BRAKE / DECK LIFT



BRAKE / DECK LIFT

ITEM	PART NO.	QTY.	DESCRIPTION	ITEM	PART NO.	QTY.	DESCRIPTION
1..	525 580402....	1	HANDLE, LIFT	15..	539 101224....	2	SPRING
2..	574 356802....	1	SHAFT, LIFT	16..	539 990188....	6	WASHER ⁵ / ₁₆ SAE FLAT
3..	525 580201....	2	BELLCRANK, BRAKE	17..	539 990717....	2	NUT ⁵ / ₁₆ -18 HEX NYLOC
4..	574 356601....	1	ROD, BRAKE	18..	539 976988....	4	HAIRPIN COTTER
5..	539 109368....	2	BUSHING, PLASTIC	19..	525 583601....	1	LINKAGE, BRAKE RT
6..	539 991034....	2	SCREW 10-24 x ⁵ / ₈ " WSH HD	20..	525 583701....	1	LINKAGE, BRAKE LT
7..	539 118179....	2	SWIVEL	21..	539 120220....	1	PIVOT, BRAKE ARM
8..	539 115247....	2	L-ROD 3 ¹ / ₈ "	22..	525 485602....	1	HANDLE, BRAKE
9..	539 976979....	2	NUT ³ / ₈ -16 HEX NYLOC	23..	539 100413....	1	RHSNB ³ / ₈ -16 x 1 ¹ / ₄
10..	539 990517....	7	WASHER ³ / ₈ FLAT STD	24..	539 120921....	1	GRIP, BRAKE HANDLE
11..	539 976989....	6	HAIRPIN	25..	539 102843....	1	WASHER ⁷ / ₁₆ SPRING DISK
12..	539 112308....	2	SWIVEL, BRAKE	26..	539 133007....	1	WASHER, .825
13..	539 101082....	2	ROLL PIN ³ / ₁₆ "	27..	532 196492....	1	GRIP, LIFT HANDLE
14..	525 735701....	1	LINKAGE, UPPER	28..	539 200282....	1	NUT ³ / ₈ -16 HEX JAM NYLOC

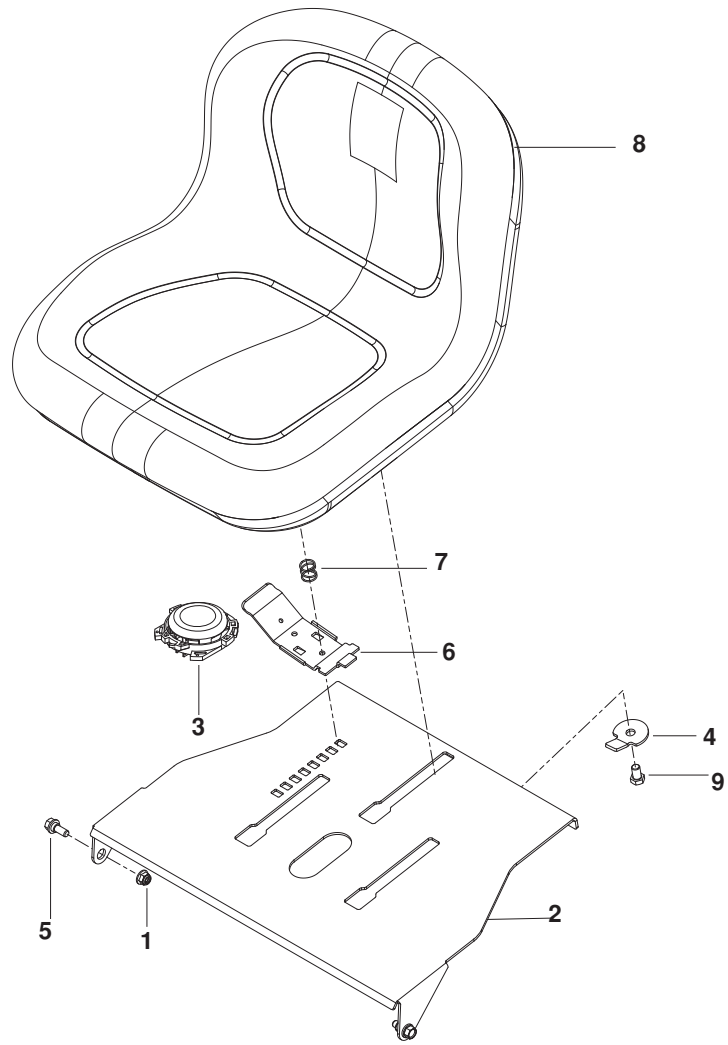
MOWER DECK / CUTTING DECK



MOWER DECK / CUTTING DECK

ITEM	PART NO.	QTY.	DESCRIPTION	ITEM	PART NO.	QTY.	DESCRIPTION
1..	575 699801....	1	DECK w/ SAFETY DECALS	31..	539 990122....	2	WASHER 3/8 SAE FLT
2..	532 195185....	2	SUSPENSION ARM, REAR	32..	574 694601....	1	LINKAGE, DECK BRAKE
3..	532 193003....	2	BOLT, WASHER	33..	539 102590....	1	BALL END, RH
4..	539 107518....	2	STRIPPER, ROUND	34..	539 976935....	1	HCS 5/16-18 x 1 1/2
5..	532 134149....	2	BLADE 42"	35..	539 990585....	1	NUT 5/16-18 HEX WHIZLK
6..	539 107630....	8	SCREW, WASHER HEAD	36..	539 990196....	1	NUT, 5/16-18 HEX
7..	539 110463....	1	BAFFLE, DECK	37..	539 107631....	8	SCREW 1/4 -20 x 5/8
8..	539 990799....	8	RHSNB 5/16-18 x 5/8	38..	539 990588....	1	HCS 3/8-16 x 2
9..	532 192557....	1	BRACKET, DEFLECTOR	39..	539 990730....	1	HCS 3/8-16 x 1 3/4
10..	539 112899....	9	NUT 5/16-18 HEX FLG NYL	40..	539 990365....	1	HAIR PIN
11..	532 192870....	2	MANDREL	41..	539 990188....	1	WASHER 5/16 SAE FLAT
12..	532 193108....	1	SHIELD, DEFLECTOR	42..	532 401872....	1	SPRING, RETURN
13..	532 195945....	2	PULLEY, MANDREL	43..	532 400140....	2	KEEPER, PULLEY
14..	539 107520....	2	WASHER-SPACER	44..	575 754602....	1	BELT SHIELD, RT
15..	539 107590....	2	NUT 9/16 TOP CNTRLK	45..	532 415598....	1	WASHOUT PORT
16..	539 110462....	1	ROD, HINGE	46..	539 108461....	1	BOLT 1/4-20 x 1/2
17..	539 110328....	1	SPRING, TORSION	47..	575 754502....	1	BELT SHIELD, LT
18..	539 107627....	1	CAP, SLEEVE	48..	525 851801....	1	GUIDE, BELT
19..	539 107626....	1	PUSHNUT	49..	539 102998....	1	WASHER, FRICTION
20..	539 919078....	1	PULLEY, IDLER	50..	525 851801....	1	GUIDE, BELT
21..	532 177968....	1	PULLEY, IDLER	51..	532 195740....	1	LINK, SUSPENSION
22..	574 694502....	1	ARM, IDLER	52..	539 114789....	1	SWIVEL
23..	529 311801....	2	ARM, LH BRAKE	53..	539 976989....	2	HAIRPIN#4
24..	539 113621....	2	BOLT 3/8-16 x 3/8 SKT HD	54..	573 975201....	1	NUT 7/16-20 HEX NYLOC
25..	539 200282....	3	NUT 3/8-16 HEX JAM NYLOC	55..	539 990250....	1	WASHER, SAE
26..	532 416405....	1	QUICK CONNECT	56..	539 106504....	1	HEAVY WASHER
27..	532 199092....	2	SPACER RETAINER	57..	532 165898....	1	RETAINER, SPRING
28..	539 990563....	2	HCS 3/8-16 x 1				NOT SHOWN
29..	521 996501....	2	NUT 3/8-16 HEX FLG NYLOC		574 173003 ...	1	BELT
30..	574 693302....	1	ARM, BRAKE				

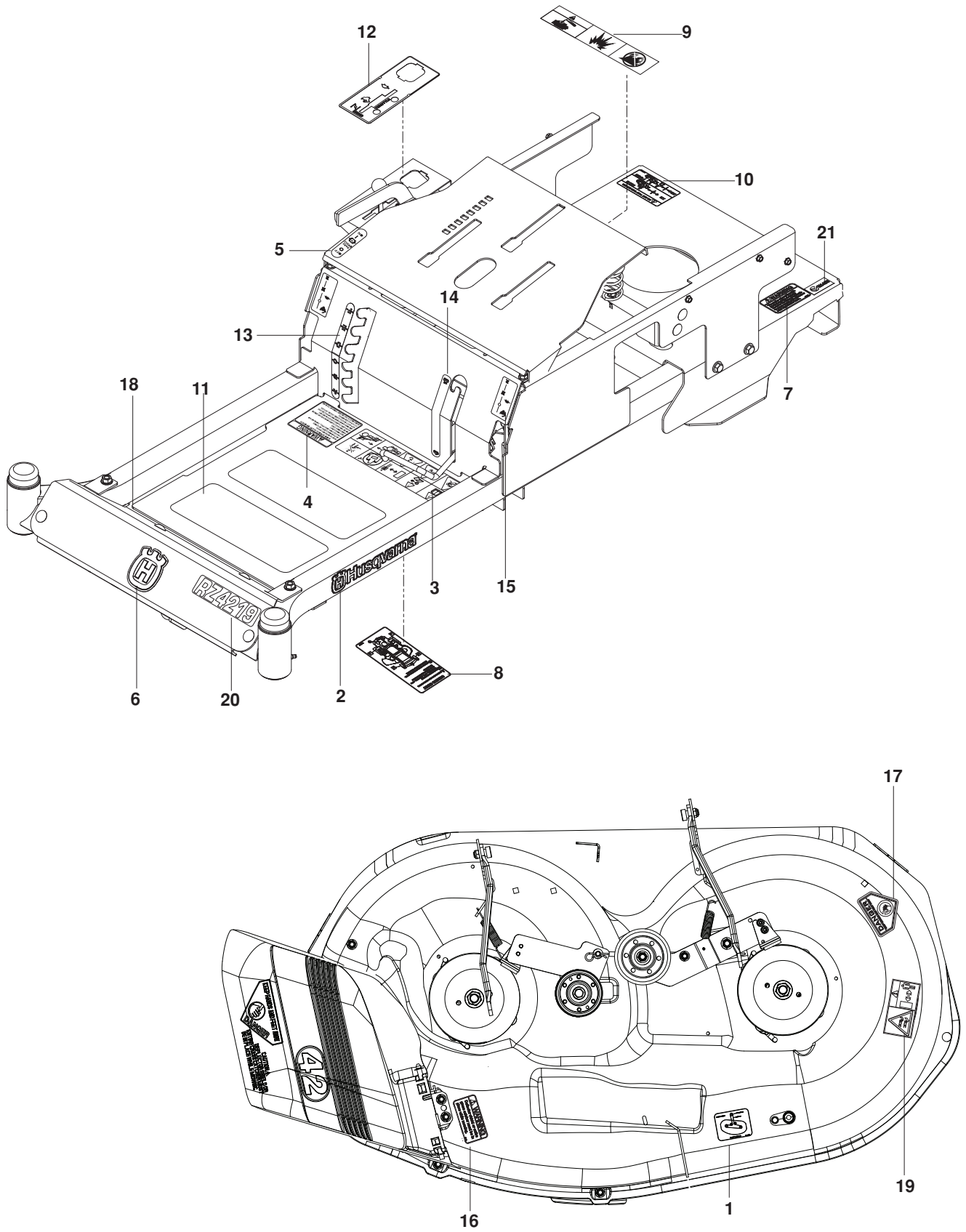
SEAT



SEAT

ITEM	PART NO.	QTY.	DESCRIPTION	ITEM	PART NO.	QTY.	DESCRIPTION
1..	539 112899....2	NUT $\frac{5}{16}$ -18 FLANGE NYLOC	6..	532 197661....1	HANDLE, SEAT SLIDE
2..	574 356302....1	PLATE, SEAT	7..	532 198200....1	SPRING, SEAT SLIDE
3..	539 132140....1	SWITCH, SEAT N/C	8..	532 424068....1	SEAT
4..	574 191002....1	STOP, SEAT	9..	539 108503....3	HCS $\frac{3}{8}$ -16 x $\frac{5}{8}$
5..	539 110303....2	BOLT $\frac{5}{16}$ -SHOULDER				

DECALS



DECALS

ITEM	PART NO.	QTY.	DESCRIPTION	ITEM	PART NO.	QTY.	DESCRIPTION
1..	510 240201....	1DECAL, BELT ROUTING	12..	574 754302....	1DECAL, CONTROL PANEL
2..	532 422012....	2DECAL, HUSQVARNA	13..	525 814201....	1DECAL, DECK HEIGHT
3..	539 109908....	1DECAL, SAFETY WARNING	14..	525 814301....	1DECAL, BLADE ENGAGE
4..	539 113213....	1DECAL, WARNINGS	15..	539 103333....	2DECAL, MOTION CONTROL
5..	539 120006....	1DECAL, PARK BRAKE	16..	539 113224....	1DECAL, DEFLECT WARNING
6..	532 422011....	1DECAL, CROWN	17..	539 913010....	1DECAL, BLADE WARNING
7..	539 101881....	1DECAL, PROP 65	18..	539 121322....	1FOOT PAD
8..	539 109897....	1DECAL, SERVICE	19..	539 105746....	1DECAL, SEVERING
9..	539 105745....	1DECAL, BATTERY WARNING	20..	521 949301....	1DECAL, RZ4219
10..	539 108385....	1DECAL, DO NOT TOW	21..	539 110279....	1DECAL ECM AUSTRALIA
11..	539 977778....	2PAD, ABRASIVE				

