

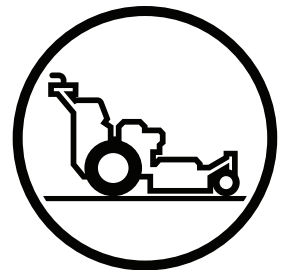


## **Parts Manual**

**WH3616 / 966638601**

**WH4818 / 966638602**

**WH5218 / 966638603**



**English**

Please read the operator's manual carefully and make sure you understand the instructions before using the machine.



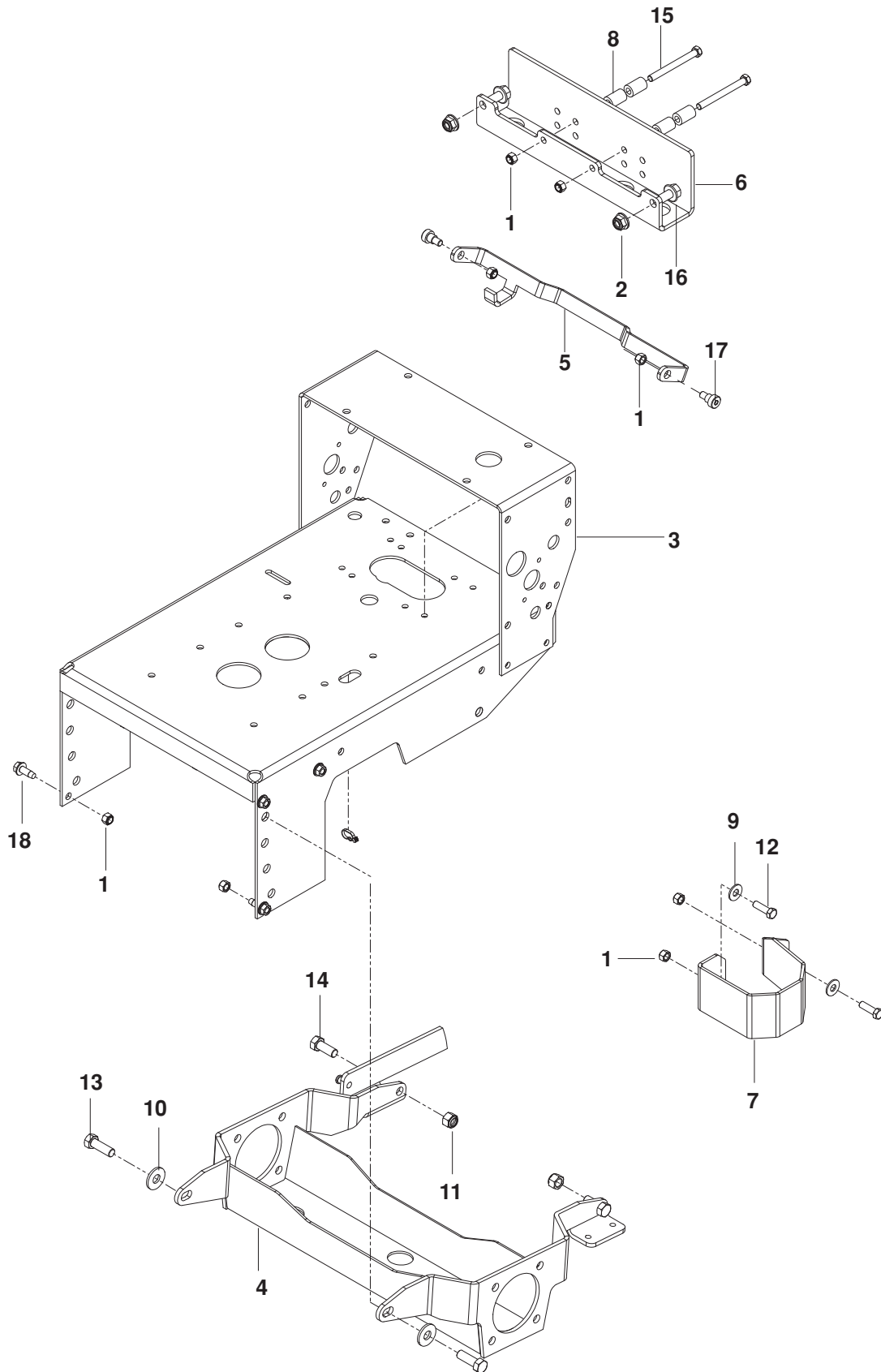
# CONTENTS

---

FRAME.....	4
ENGINE .....	6
HANDLE AND CONTROLS .....	8
PARKING BRAKE .....	10
HYDRO PUMP-MOTOR.....	12
WHEELS AND TIRES.....	14
MOWER DECK / CUTTING DECK	
36" Upper Deck .....	16
36" Lower Deck.....	18
48" Upper Deck .....	20
48" Lower Deck.....	22
52" Upper Deck .....	24
52" Lower Deck.....	26
DECALS.....	28

NOTE: ALL FASTENERS ARE GRADE 5 UNLESS OTHERWISE SPECIFIED.

# FRAME

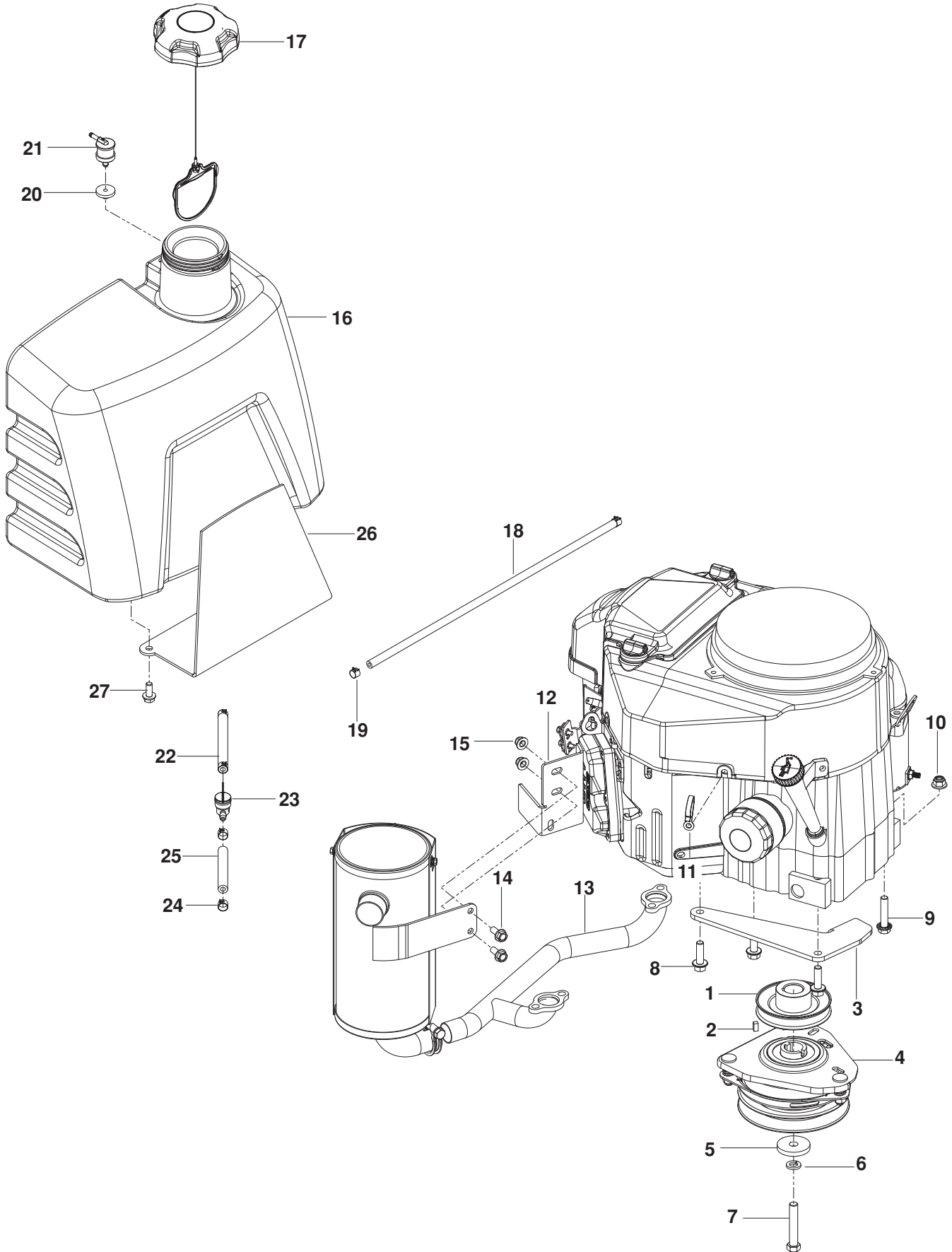


# FRAME

---

ITEM	PART NO.	QTY.	DESCRIPTION	ITEM	PART NO.	QTY.	DESCRIPTION
1..	539 976979....	7	.... NUT 3/8-16 HEX NYLOC	12..	539 976941....	4	.... HCS 3/8-16 x 1 1/4
2..	521 991101....	2	.... NUT 1/2-13 HEX FLG NYLOC	13..	539 108374....	2	.... HCS 1/2-13 x 1 1/2
3..	522 478001....	1	.... DECK w/ DECAL ORG	14..	539 108369....	2	.... HCS 1/2-13 x 1 1/4
4..	539 132509....	1	.... AXLE, HYDRO	15..	539 991126....	2	.... HCS 3/8-16 x 3 3/4
5..	525 851002....	1	.... BAR, THROW OUT ORG	16..	574 210601....	2	.... HHFS 1/2-13 x 1
6..	574 331502....	1	.... BUMPER ORG	17..	539 113621....	2	.... SB 3/8-16 x 3/8 SKT HD
7..	505 189002....	1	.... GUARD, FILTER	18..	539 107476....	6	.... BOLT 3/8-16 x 1 THD FRM
8..	539 103543....	4	.... SPACER				NOT SHOWN
9..	539 990517....	4	.... WASHER 3/8 FLAT		539 109104....	1	.... HARNESS, LOWER
10..	539 109554....	2	.... WASHER 1/2 FLAT		532 198316....	1	.... ADAPTER, HARNESS
11..	539 101331....	2	.... NUT 1/2 HEX NYLOC				

# ENGINE

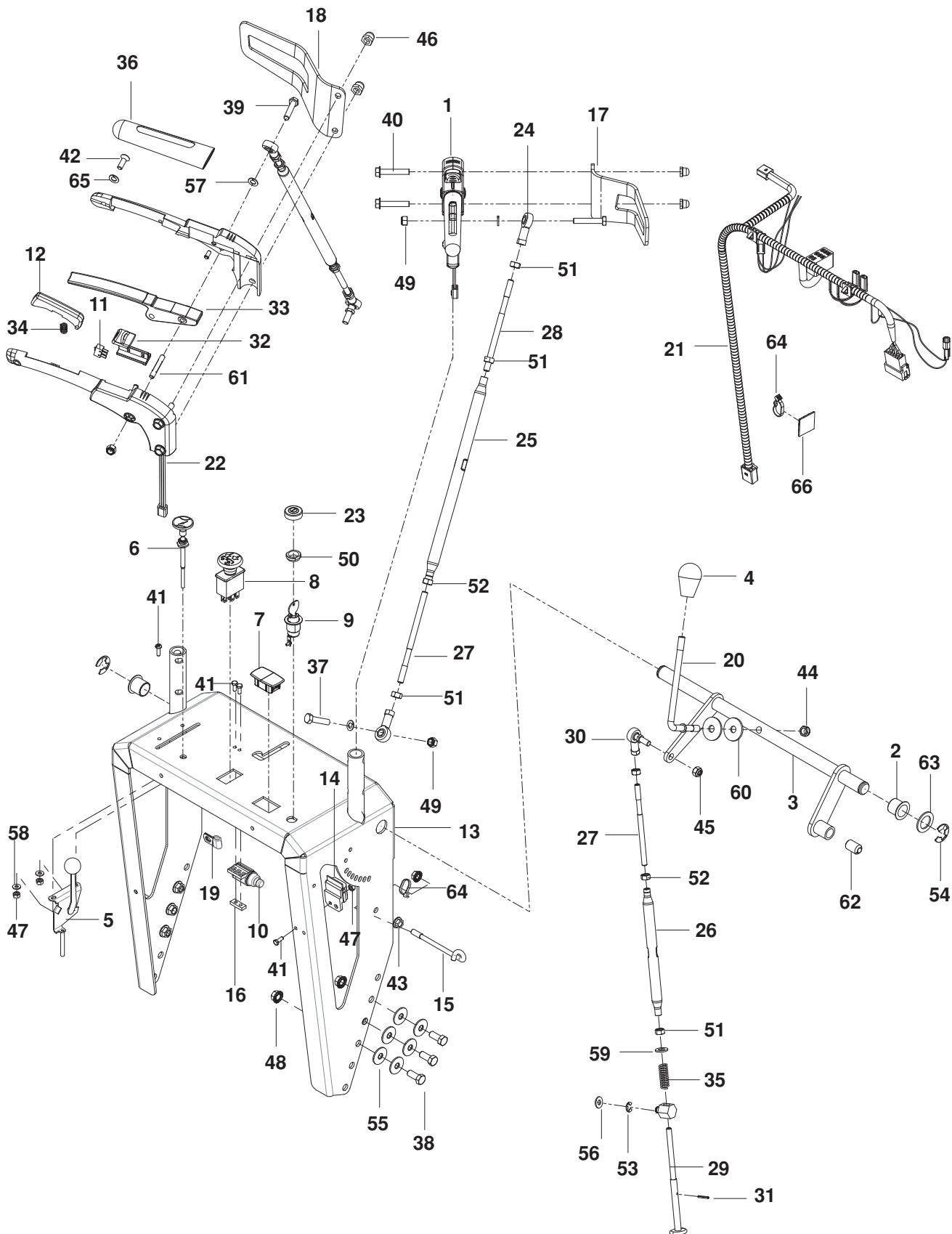


# ENGINE

---

ITEM	PART NO.	QTY.	DESCRIPTION	ITEM	PART NO.	QTY.	DESCRIPTION
1..	539 132525....	1	....PULLEY	15..	539 112899....	2	....NUT $\frac{5}{16}$ -18 HEX FLANGE NYL
2..	539 105718....	1	....KEY $\frac{1}{4}$ SQ x $\frac{1}{2}$	16..	575 320602....	1	....FUEL TANK
3..	576 930802....	1	....CLUTCH STOP	17..	575 018101....	1	....FUEL CAP w/ TETHER
4..	532 400008....	1	....CLUTCH, 90 FT/LB	18..	576 660612....	1	....HOSE $\frac{3}{16}$ " VAPOR 52"
5..	539 106504....	1	....HEAVY WASHER	19..	575 436501....	2	....CLAMP, HOSE
6..	539 990247....	1	....WASHER $\frac{7}{16}$ LOCK	20..	576 618201....	1	....GROMMET, CHECK VALVE
7..	539 991120....	1	....HCS $\frac{7}{16}$ -20 x $2\frac{1}{2}$	21..	576 618101....	1	....VALVE, FUEL CHECK
8..	525 834201....	3	....HHFS $\frac{3}{8}$ -16 x $1\frac{1}{4}$	22..	539 110425....	1	....FUEL LINE 5"
9..	539 990701....	1	....BOLT $\frac{3}{8}$ -16 x $1\frac{3}{4}$ WHIZLK	23..	539 916325....	1	....FUEL VALVE
10..	521 996501....	1	....NUT $\frac{3}{8}$ -16 HEX FLANGE NYL	24..	539 912222....	4	....HOSE CLAMP
11..	539 107098....	1	....CLAMP	25..	575 296701....	1	....FUEL HOSE $3\frac{1}{2}$ "
12..	576 956502....	1	....SUPPORT, MUFFLER	26..	539 132633....	1	....PLATE, ORG
13..	576 991701....	1	....MANIFOLD, EXHAUST	27..	525 464701....	4	....HHFS $\frac{5}{16}$ -18 x $\frac{3}{4}$
14..	525 464701....	2	....HHFS $\frac{5}{16}$ -18 x $\frac{3}{4}$				

# HANDLE AND CONTROLS



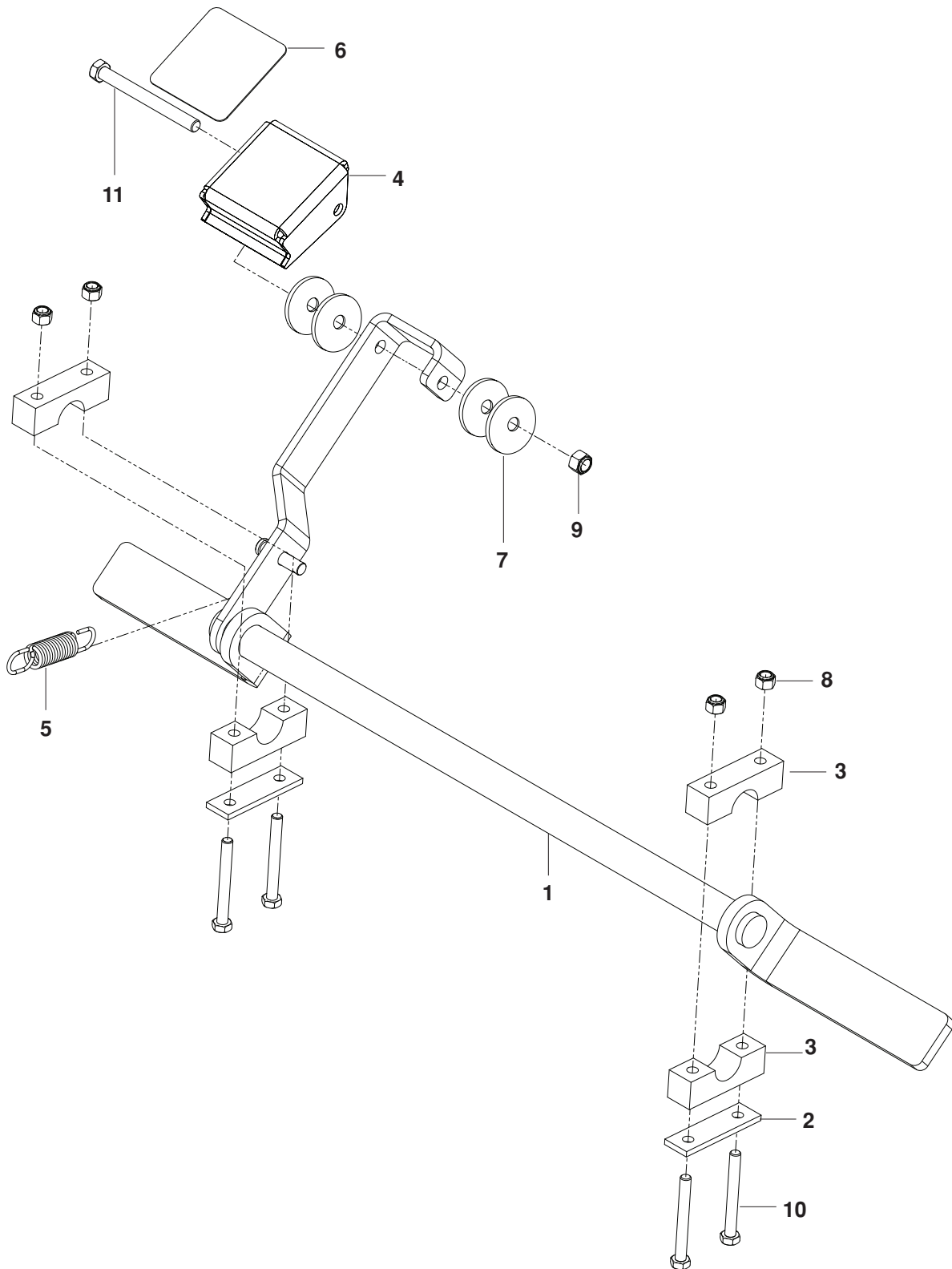


# HANDLE AND CONTROLS

---

ITEM	PART NO.	QTY.	DESCRIPTION	ITEM	PART NO.	QTY.	DESCRIPTION
1..	539 132623....	2	GRIP ASSY	36..	522 950501....	2	GRIP, FOAM
2..	539 132520....	2	BEARING, FLANGE	37..	539 100469....	2	HCS <sup>5</sup> / <sub>16</sub> -18 x 1 <sup>1</sup> / <sub>4</sub>
3..	574 454301....	1	SPEED CONTROL	38..	539 108507....	4	HCS <sup>3</sup> / <sub>8</sub> -16 x <sup>7</sup> / <sub>8</sub>
4..	539 132624....	1	KNOB, SHIFT	39..	539 990669....	2	HCS <sup>5</sup> / <sub>16</sub> -18 x 1 <sup>3</sup> / <sub>4</sub>
5..	576 956401....	1	CONTROL, THROTTLE	40..	525 841401....	4	HHFS <sup>5</sup> / <sub>16</sub> -18 x 1 <sup>3</sup> / <sub>4</sub> GR 8
6..	574 206901....	1	CONTROL, CHOKE	41..	539 990411....	5	SCREW #10-24 x <sup>1</sup> / <sub>2</sub> HEX
7..	532 404951....	1	PLUG, DASH, SVC MINDER	42..	539 132677....	2	SCREW, OVAL HEAD 6MM
8..	539 101768....	1	SWITCH, CLUTCH	43..	539 990585....	2	NUT <sup>5</sup> / <sub>16</sub> -18 HEX WHIZLK
9..	539 911853....	1	SWITCH, IGNITION w/ KEY	44..	539 200282....	1	NUT <sup>3</sup> / <sub>8</sub> -16 HEX JAM NYLOC
10..	522 559601....	1	SWITCH, PLUNGER	45..	539 103153....	1	NUT M8 x 1.25 NYLOC
11..	539 132620....	1	SWITCH	46..	505 203401....	4	NUT, ACORN <sup>5</sup> / <sub>16</sub> -18
12..	539 132674....	2	ACTUATOR, OPC	47..	539 976977....	3	NUT #10-24 HEX NYLOC
13..	522 478101....	1	HANDLE, UPPER w/ DECAL	48..	539 990613....	4	NUT <sup>3</sup> / <sub>8</sub> -16 HEX WHIZLK
14..	539 101781....	1	MODULE	49..	539 990717....	4	NUT <sup>5</sup> / <sub>16</sub> -18 HEX NYLOC
15..	539 132676....	1	GUIDE, ROPE	50..	539 103177....	1	NUT, IGNITION SWITCH
16..	539 102678....	1	PLATE, NUT	51..	539 132607....	8	NUT .8MM x 1.25 HEX
17..	522 421802....	1	GUARD, HAND RH	52..	510 098701....	3	NUT .8MM x 1.25 LH
18..	522 421702....	1	GUARD, HAND LH	53..	539 132629....	2	E RING, 20MM
19..	539 109867....	1	CLAMP	54..	539 132613....	1	E-RING, 10MM
20..	522 676001....	1	ROD, SHIFT	55..	539 112483....	12	WASHER, SPRING
21..	522 446801....	1	HARNESS, UPPER HANDLE	56..	539 990122....	1	WASHER <sup>3</sup> / <sub>8</sub> SAE FLAT
22..	539 132675....	2	HARNESS, SWITCH	57..	539 990187....	4	WASHER <sup>5</sup> / <sub>16</sub> SLW
23..	539 103178....	1	CAP, IGNITION SWITCH NUT	58..	539 105408....	2	WASHER #10 FLAT
24..	539 132602....	4	ROD END 8 MM, RH	59..	510 098601....	1	WASHER, 10 MM
25..	539 132601....	2	TUBE, ADJUSTING	60..	539 912063....	2	WASHER, CONE
26..	539 132609....	1	TUBE, ADJUSTING	61..	539 132635....	2	PIN, GROOVE <sup>1</sup> / <sub>4</sub> x 1 <sup>1</sup> / <sub>2</sub>
27..	539 132605....	3	STUD, LH	62..	574 454601....	1	DETENT
28..	539 132604....	2	STUD, RH	63..	539 923787....	1	BUSHING
29..	539 132608....	1	ROD, HEADED	64..	539 976856....	3	WIRE TIE
30..	539 132603....	1	ROD END 8 MM	65..	522 432401....	1	LOCKWASHER 6MM
31..	539 132614....	1	ROLL PIN 3 MM	66..	539 110863....	1	MOUNTING BLOCK
32..	539 132617....	2	LOCK, NEUTRAL				
33..	539 132618....	2	LEVER				
34..	539 132599....	2	SPRING				
35..	539 101224....	1	SPRING				

# PARKING BRAKE



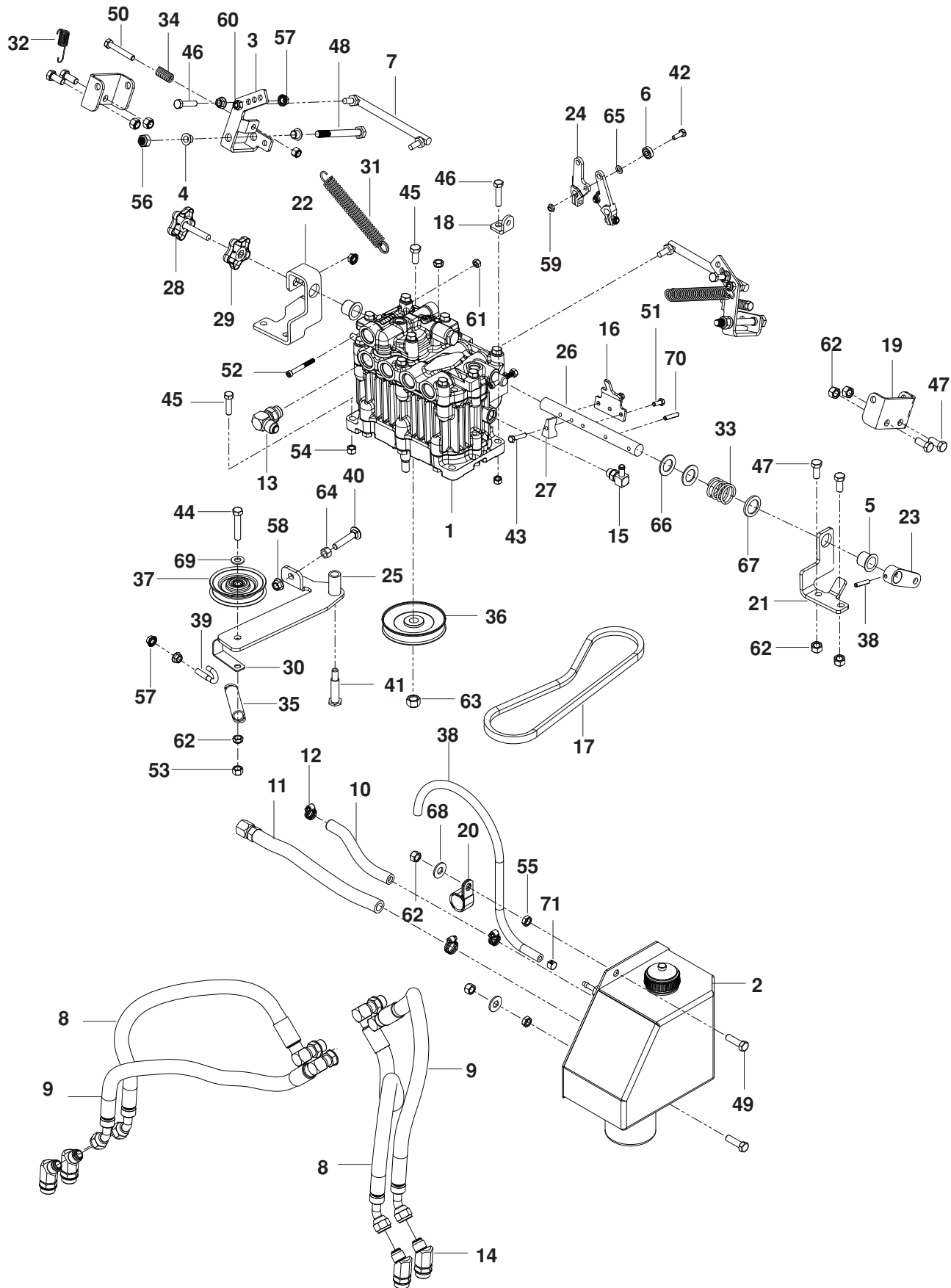
# PARKING BRAKE

---

ITEM	PART NO.	QTY.	DESCRIPTION
1..	539 132685....	1	....PARK BRAKE ASSY
2..	539 104807....	2	....REINFORCEMENT BAR
3..	539 104808....	4	....PILLOW BLOCK
4..	510 283402....	1	....PEDAL BLK
5..	510 136301....	1	....SPRING, EXTENSION
6..	539 105187....	1	....PAD, ANTI-SKID

ITEM	PART NO.	QTY.	DESCRIPTION
7..	539 102998....	4	....WASHER, FRICTION
8..	539 990717....	4	....NUT $\frac{5}{16}$ -18 HEX NYLOC
9..	539 976979....	1	....NUT $\frac{3}{8}$ -16 HEX NYLOC
10..	539 101721....	4	....HCS $\frac{5}{16}$ -18 x $2\frac{3}{4}$
11..	539 991126....	1	....HCS $\frac{3}{8}$ -16 x $3\frac{3}{4}$

# HYDRO PUMP-MOTOR

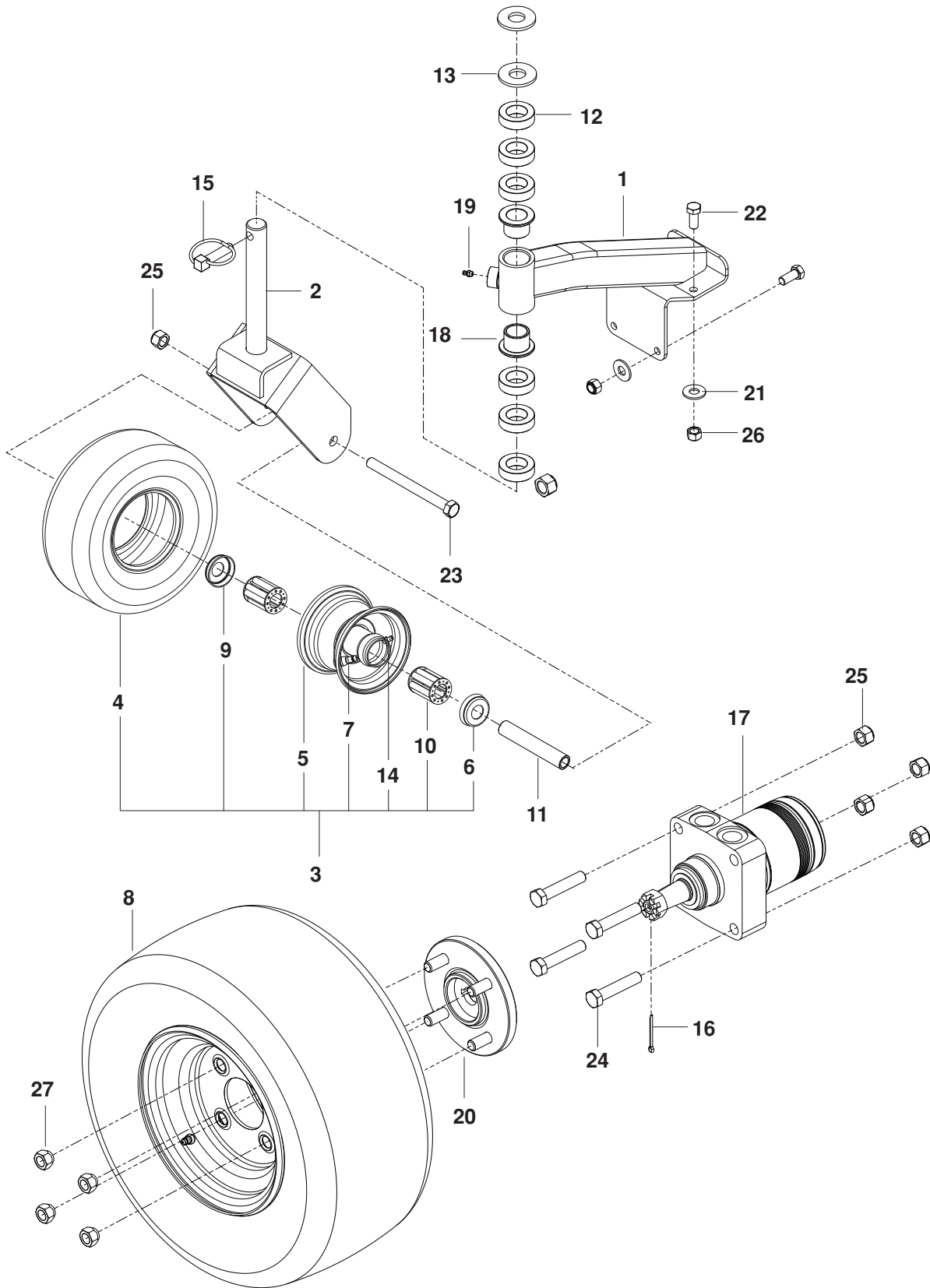


# HYDRO PUMP-MOTOR

---

ITEM	PART NO.	QTY.	DESCRIPTION	ITEM	PART NO.	QTY.	DESCRIPTION
1..	521 976001....1	....	PUMP, DUP10S	36..	539 131727....1	....	PULLEY, PUMP
2..	573 944101....1	....	RESERVOIR	37..	539 113683....1	....	V-IDLER
3..	539 132537....1	....	BELLCRANK, RH	38..	539 922091....1	....	FUEL LINE
	539 132539....1	....	BELLCRANK, LH	39..	539 112896....1	....	J-BOLT
4..	539 132533....4	....	BEARING, FLANGE 10MM	40..	539 100145....1	....	RHSNB $\frac{3}{8}$ -16 x 2
5..	539 132520....2	....	BEARING, FLANGE 20MM	41..	539 110222....1	....	BOLT $\frac{3}{8}$ -16 SHOULDER
6..	539 132523....2	....	BEARING, FOLLOWER	42..	539 990580....4	....	HCS $\frac{1}{4}$ -20 x $\frac{3}{4}$
7..	539 132550....1	....	LINK, CONTROL, RH	43..	539 106307....1	....	HCS M6-1.0 x 30MM GR 8.8
	539 132551....1	....	LINK, CONTROL, LH	44..	539 990588....1	....	HCS $\frac{3}{8}$ -16 x 2
8..	505 203201....2	....	HOSE, 4	45..	539 990627....2	....	HCS $\frac{5}{16}$ -18 x $1\frac{1}{4}$
9..	505 203101....2	....	HOSE, 3	46..	539 976935....4	....	HCS $\frac{5}{16}$ -18 x $1\frac{1}{2}$
10..	505 280201....1	....	HOSE, RETURN	47..	539 108507....7	....	HCS $\frac{3}{8}$ -16 x $\frac{7}{8}$
11..	505 280101....1	....	HOSE, SUCTION	48..	510 129901....2	....	HCS M10-1.58 x 100 GR 8.8
12..	539 976966....3	....	CLAMP, HOSE	49..	539 976941....2	....	HCS $\frac{3}{8}$ -16 x $1\frac{1}{4}$
13..	539 101242....1	....	ELBOW 90°	50..	539 976937....2	....	HCS $\frac{5}{16}$ -18 x 2
14..	539 132561....4	....	ELBOW 45° STRAIGHT THD	51..	539 107705....2	....	HCS M6-1.0 x 16MM GR 8.8
15..	505 280401....1	....	FITTING 90°	52..	521 976101....2	....	SCREW #10-24 SCKT HD
16..	539 132515....1	....	PLATE, NEUTRAL STOP	53..	539 200282....2	....	NUT $\frac{3}{8}$ -16 HEX JAM NYLOC
17..	539 106725....1	....	BELT	54..	539 990717....6	....	NUT $\frac{5}{16}$ -18 HEX NYLOC
18..	510 111002....2	....	BRACKET, SPRING	55..	539 990130....2	....	NUT $\frac{3}{8}$ -16 HEX
19..	539 132535....2	....	BRACKET, U	56..	510 130001....2	....	NUT, M10-1.5 NYLON RING
20..	539 107891....1	....	CLIP	57..	539 990585....7	....	NUT $\frac{5}{16}$ -18 HEX WHIZLK
21..	539 132511....1	....	SUPPORT, CAM LH	58..	539 990613....1	....	NUT $\frac{3}{8}$ -16 HEX WHIZLK
22..	539 132513....1	....	SUPPORT, CAM RH	59..	539 108120....4	....	NUT $\frac{1}{4}$ -20 HEX THIN NYLOC
23..	539 132517....1	....	ARM, SPEED CONTROL	60..	539 103153....4	....	NUT M8 x 1.25 NYLOC
24..	539 132516....2	....	ARM, HYDRO	61..	539 976977....2	....	NUT #10-24 HEX NYLOC
25..	539 132532....1	....	ARM, IDLER BLK	62..	539 976979....8	....	NUT $\frac{3}{8}$ -16 HEX NYLOC
26..	539 132519....1	....	SHAFT, CAM	63..	539 131528....1	....	NUT, M10-1.5 L/H HEX
27..	539 132518....1	....	CAM, TRACKING	64..	539 109332....1	....	NUT $\frac{3}{8}$ -16 HEX JAM
28..	522 718501....1	....	KNOB, ADJUSTMENT	65..	539 103547....2	....	WASHER
29..	522 718401....1	....	KNOB	66..	539 132521....2	....	WASHER, 20MM
30..	525 612702....1	....	KEEPER, BELT	67..	510 362801....1	....	WASHER, FIBER
31..	539 916159....2	....	SPRING, TRANS IDLER	68..	539 990517....2	....	WASHER $\frac{3}{8}$ FLAT
32..	510 206101....1	....	SPRING, EXTENSION	69..	539 990122....1	....	WASHER, $\frac{3}{8}$ SAE FLT
33..	539 132524....1	....	SPRING, COMPRESSION	70..	505 224001....2	....	ROLL PIN, 6 MM x 30 MM
34..	539 101224....2	....	SPRING $1\frac{5}{8}$	71..	539 912222....1	....	CLAMP, HOSE
35..	539 010195....1	....	SPRING, AXLE $2\frac{3}{4}$				

# WHEELS AND TIRES



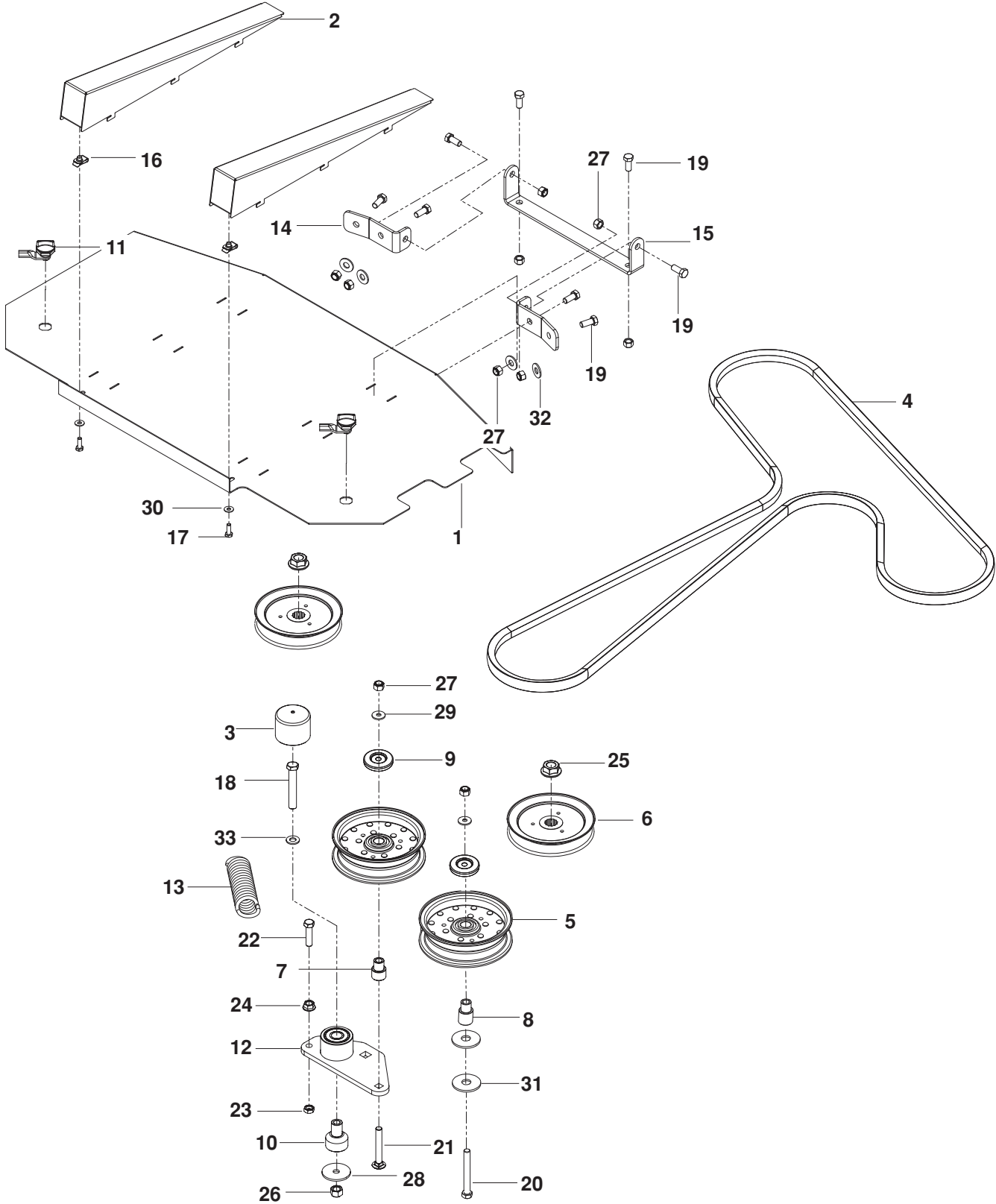
# WHEELS AND TIRES

---

ITEM	PART NO.	QTY.	DESCRIPTION	ITEM	PART NO.	QTY.	DESCRIPTION
1..	539 132683....	1	.... CASTER ARM ORG	15..	539 101874....	1	.... LYNCH PIN $\frac{7}{16}$
2..	539 132588....	1	.... CASTER FORK ORG	16..	539 990297....	2	.... PIN $\frac{1}{8}$ x $1\frac{1}{2}$ COTTER
3..	539 104556....	2	.... WHEEL ASSY, CASTER	17..	539 103527....	1	.... MOTOR, LT
4..	539 101905....	2	.... TIRE, CASTER		521 911601....	1	.... MOTOR, REVERSED, RT
5..	539 104618....	2	.... RIM	18..	539 106656....	4	.... BUSHING
6..	539 923557....	2	.... ENDCAP	19..	539 976998....	2	.... ZERK
7..	539 912234....	4	.... AIR VALVE	20..	539 132689....	2	.... HUB, WHEEL
8..	522 412901....	2	.... WHEEL ASSY, REAR 36	21..	539 990517....	8	.... WASHER $\frac{3}{8}$ FLAT
	522 413001....	2	.... WHEEL ASSY, REAR 48/52	22..	539 108507....	8	.... HCS $\frac{3}{8}$ -16 x $\frac{7}{8}$
9..	539 977356....	2	.... NOTCHED ENDCAP	23..	539 101907....	1	.... HCS $\frac{1}{2}$ -13 x $5\frac{1}{2}$
10..	539 977353....	4	.... ROLLER BEARING	24..	539 108346....	8	.... HCS $\frac{1}{2}$ -13 x $2\frac{1}{2}$
11..	539 101872....	2	.... SPACER, CASTER	25..	539 101331..	10	.... NUT $\frac{1}{2}$ -13 HEX NYLOC
12..	539 132678..	12	.... SPACER, HEIGHT	26..	539 976979....	8	.... NUT $\frac{3}{8}$ -16 HEX NYLOC
13..	521 994501....	4	.... SPACER, HT ADJ $\frac{1}{4}$	27..	539 101173....	8	.... NUT $\frac{1}{2}$ LUG
14..	539 910003....	2	.... ZERK				

# MOWER DECK / CUTTING DECK

## 36" Upper Deck





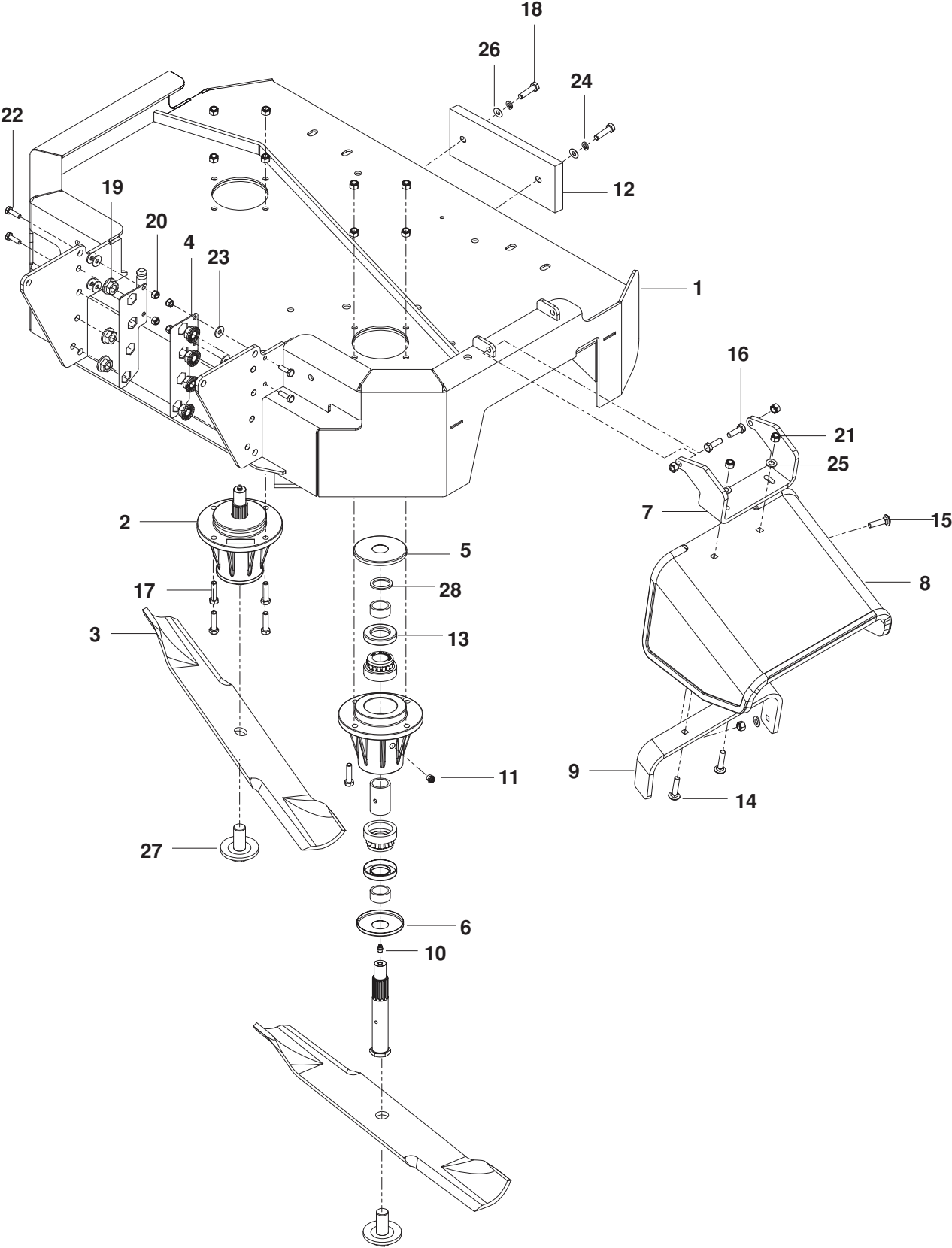
# MOWER DECK / CUTTING DECK

---

ITEM	PART NO.	QTY.	DESCRIPTION	ITEM	PART NO.	QTY.	DESCRIPTION
1..	505 290102....	1	COVER, BELT	18..	539 103433....	1	HCS 1/2-13 x 3 1/4
2..	505 290402....	2	WEDGE	19..	539 108507....	8	HCS 3/8-16 x 7/8
3..	539 114823....	1	CAP, VINYL	20..	539 101341....	1	HCS 3/8-16 x 3
4..	505 247401....	1	BELT, DECK 36	21..	539 130235....	1	RHSNB 3/8-16 x 2 3/4
5..	539 103257....	2	PULLEY, IDLER	22..	539 107042....	1	HCS 3/8-16 x 1 1/2 GR 8
6..	522 023801....	2	PULLEY	23..	539 109332....	1	NUT 3/8-16 HEX JAM
7..	539 130242....	1	BUSHING, IDLER	24..	539 990613....	1	NUT 3/8-16 HEX WHIZLK
8..	539 103295....	1	BUSHING, IDLER	25..	539 130653....	2	NUT 3/4-16 FLANGE
9..	510 254501....	2	SHIELD, DUST	26..	539 101331....	1	NUT 1/2 HEX NYLOC
10..	510 206301....	1	PIVOT, BEARING	27..	539 976979....	9	NUT 3/8-16 HEX NYLOC
11..	510 126701....	2	LATCH, SHORT WING	28..	539 102243....	1	WASHER, SUPPORT
12..	539 130391....	1	ARM, IDLER w/ BEARINGS	29..	522 023401....	1	WASHER, THICK 3/8
13..	539 110655....	1	SPRING	30..	539 990055....	2	WASHER, 1/4 FLAT SAE
14..	539 132581....	2	HINGE, BIN	31..	539 106504....	2	WASHER, HEAVY
15..	539 132579....	1	BASE, HINGE	32..	539 990517....	4	WASHER 3/8 FLAT
16..	539 110813....	2	RETAINER 1/4-20 U TYPE	33..	539 115528....	1	WASHER, BELLEVILLE 1/2
17..	539 990580....	2	HCS 1/4-20 x 3/4				

# MOWER DECK / CUTTING DECK

## 36" Lower Deck



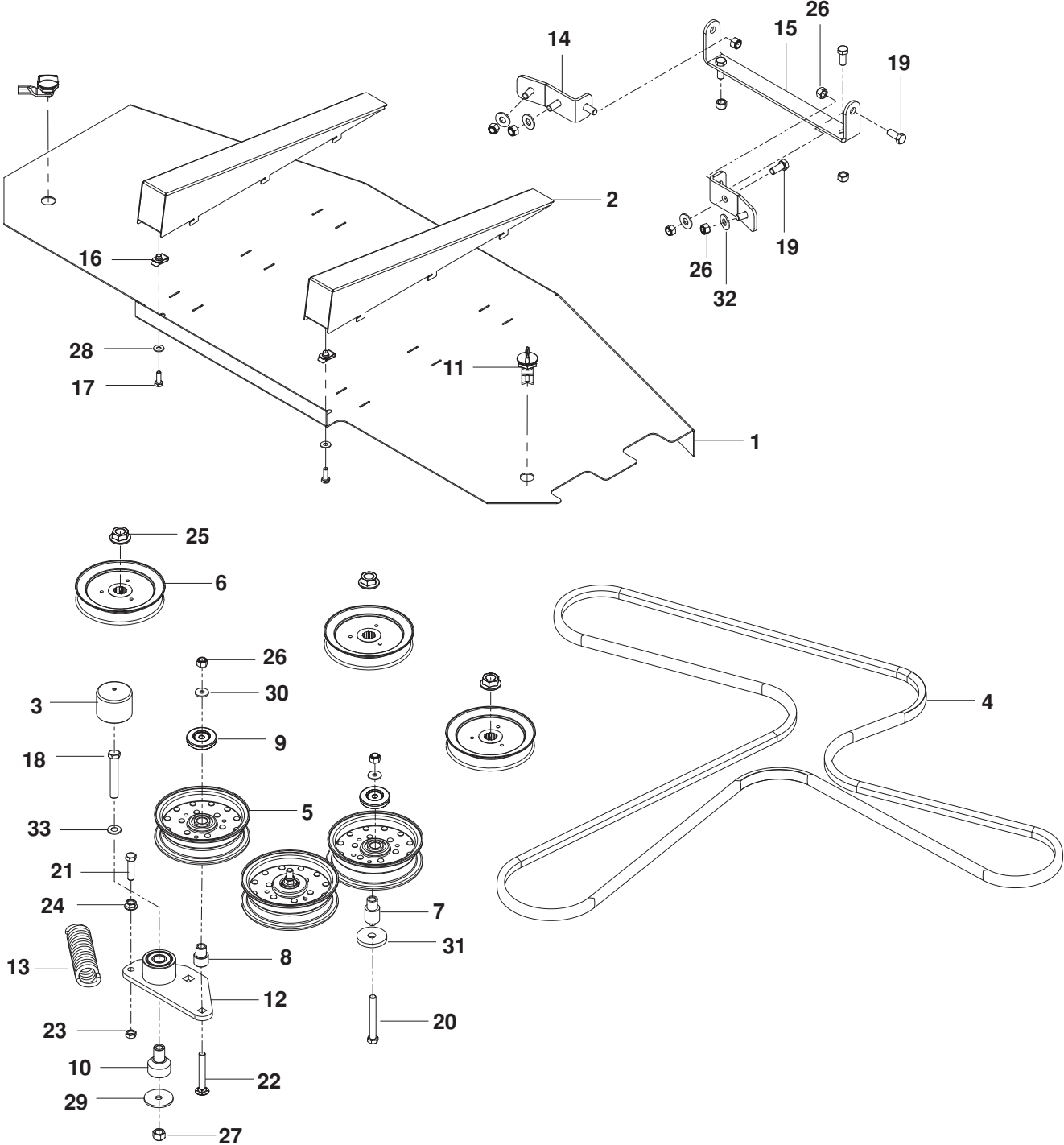
# MOWER DECK / CUTTING DECK

---

ITEM	PART NO.	QTY.	DESCRIPTION	ITEM	PART NO.	QTY.	DESCRIPTION
1..	522 478201....	1	DECK w/ SAFETY DECALS	15..	539 100472....	1	RHSNB $\frac{5}{16}$ -18 x $1\frac{1}{4}$
2..	539 131385....	2	SPINDLE ASSY	16..	539 990209....	2	HCS $\frac{5}{16}$ -18 x 1
3..	539 100341....	2	BLADE, 18"	17..	539 990627....	8	HCS $\frac{5}{16}$ -18 x $1\frac{1}{4}$
4..	539 132592....	2	PLATE, NUT	18..	539 108374....	4	HCS $\frac{1}{2}$ -13 x $1\frac{1}{2}$
5..	539 108450....	2	DUST CAP, TOP	19..	506 113501....	8	NUT, FLANGE, $\frac{1}{2}$ -13
6..	539 108449....	2	DUST CAP, BOTTOM	20..	539 976978....	4	NUT $\frac{1}{4}$ -20 HEX NYLOC
7..	539 132583....	1	HINGE, CHUTE	21..	539 990717..	13	NUT $\frac{5}{16}$ -18 HEX NYLOC
8..	539 130903....	1	RUBBER CHUTE	22..	539 990643....	4	HCS $\frac{1}{4}$ -20 x $\frac{7}{8}$
9..	539 130922....	1	REINFORCEMENT, BRACKET	23..	539 990598....	8	WASHER $\frac{1}{4}$ FLAT
10..	539 101474....	2	ZERK	24..	539 990254....	4	WASHER $\frac{1}{2}$ SLW
11..	539 977326....	2	GREASE POPPET	25..	539 990188....	3	WASHER $\frac{5}{16}$ SAE FLAT
12..	522 000502....	2	WEIGHT, COUNTER	26..	539 990250....	4	WASHER $\frac{1}{2}$ SAE FLAT
13..	539 108754....	4	SEAL, SHAFT	27..	539 119007....	2	BOLT, BLADE
14..	539 102933....	2	RHSNB $\frac{5}{16}$ -18 x $1\frac{1}{2}$	28..	539 916561....	2	BUSHING, 1"

# MOWER DECK / CUTTING DECK

## 48" Upper Deck



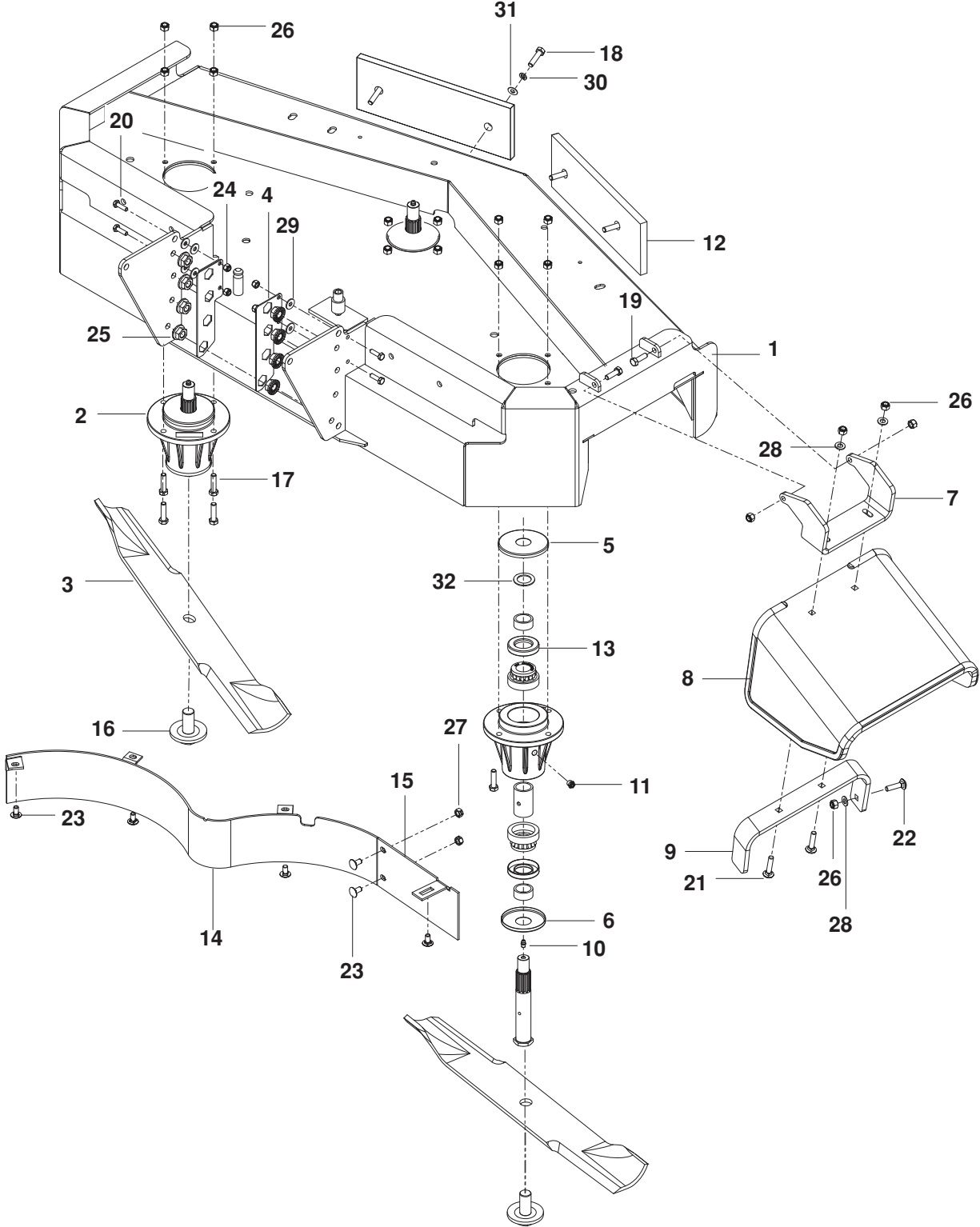
# MOWER DECK / CUTTING DECK

---

ITEM	PART NO.	QTY.	DESCRIPTION	ITEM	PART NO.	QTY.	DESCRIPTION
1..	505 290202....	1	COVER, BELT	18..	539 103433....	1	HCS 1/2-13 x 3 1/4
2..	505 290402....	2	WEDGE	19..	539 108507..	16	HCS 3/8-16 x 7/8
3..	539 114823....	1	CAP, VINYL	20..	539 101341....	2	HCS 3/8-16 x 3
4..	539 109244....	3	BELT, DECK	21..	539 107042....	1	HCS 3/8-16 x 1 1/2 GR 8
5..	522 023701....	3	PULLEY	22..	539 130235....	1	RHSNB 3/8-16 x 2 3/4
6..	539 103257....	1	PULLEY, IDLER	23..	539 109332....	1	NUT 3/8-16 HEX JAM
7..	539 103295....	1	BUSHING, IDLER	24..	539 990613....	1	NUT 3/8-16 HEX WHIZLK
8..	539 130242....	1	BUSHING, IDLER	25..	539 130653....	3	NUT 3/4-16 FLANGE
9..	510 254501....	3	SHIELD, DUST	26..	539 976979..	18	NUT 3/8-16 HEX NYLOC
10..	510 206301....	1	PIVOT, BEARING	27..	539 101331....	1	NUT 1/2 HEX NYLOC
11..	510 126701....	2	LATCH, SHORT WING	28..	539 990055....	2	WASHER, 1/4 FLAT SAE
12..	539 130391....	1	ARM, IDLER, w/ BEARINGS	29..	539 102243....	1	WASHER, SUPPORT
13..	539 110655....	1	SPRING	30..	522 023401....	1	WASHER 3/8 THICK
14..	539 132581....	2	HINGE, BIN	31..	539 106504....	4	WASHER, HEAVY
15..	539 132579....	1	BASE, HINGE	32..	539 990517....	4	WASHER 3/8 FLAT
16..	539 110813....	2	RETAINER 1/4-20 U TYPE	33..	539 115528....	1	WASHER, BELLEVILLE 1/2
17..	539 990580....	2	HCS 1/4-20 x 3/4				

# MOWER DECK / CUTTING DECK

## 48" Lower Deck



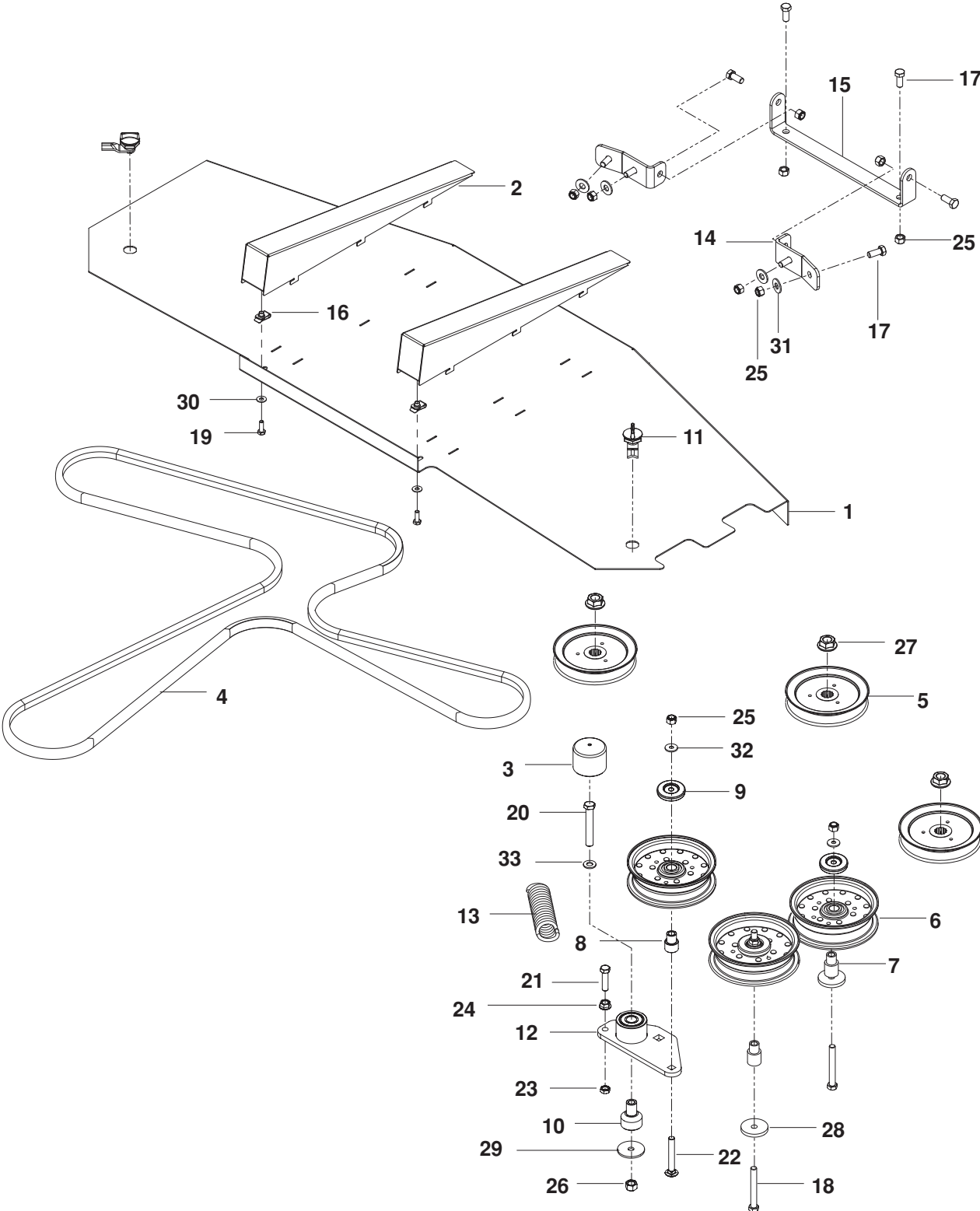
# MOWER DECK / CUTTING DECK

---

ITEM	PART NO.	QTY.	DESCRIPTION	ITEM	PART NO.	QTY.	DESCRIPTION
1..	522 478301....	1	.... DECK w/ SAFETY DECALS	17..	539 990627....	8	.... HCS $\frac{5}{16}$ -18 x $1\frac{1}{4}$
2..	539 131385....	3	.... SPINDLE ASSY	18..	539 108374....	4	.... HCS $\frac{1}{2}$ -13 x $1\frac{1}{2}$
3..	539 100340....	3	.... BLADE	19..	539 990209....	2	.... HCS $\frac{5}{16}$ -18 x 1
4..	539 132592....	2	.... PLATE, NUT	20..	539 990643....	4	.... HCS $\frac{1}{4}$ -20 x $\frac{7}{8}$
5..	539 108450....	3	.... DUST CAP, TOP	21..	539 102933....	2	.... RHSNB $\frac{5}{16}$ -18 x $1\frac{1}{2}$
6..	539 108449....	3	.... DUST CAP, BOTTOM	22..	539 100472....	1	.... RHSNB $\frac{5}{16}$ -18 x $1\frac{1}{4}$
7..	539 132583....	1	.... HINGE, CHUTE	23..	539 990799....	6	.... RHSNB $\frac{5}{16}$ -18 x $\frac{5}{8}$
8..	539 130903....	1	.... RUBBER CHUTE	24..	539 976978....	4	.... NUT $\frac{1}{4}$ -20 HEX NYLOC
9..	539 130922....	1	.... REINFORCEMENT, BRKT	25..	506 113501....	8	.... NUT, FLANGE, $\frac{1}{2}$ -13
10..	539 101474....	3	.... ZERK	26..	539 990717..	17	.... NUT $\frac{5}{16}$ -18 HEX NYLOC
11..	539 977326....	3	.... GREASE POPPET	27..	539 112899....	6	.... NUT $\frac{5}{16}$ -18 HEX FLANGE NYL
12..	522 000502....	2	.... WEIGHT, COUNTER	28..	539 990188....	3	.... WASHER $\frac{5}{16}$ SAE FLAT
13..	539 108754....	6	.... SEAL, SHAFT	29..	539 990598....	8	.... WASHER $\frac{1}{4}$ FLAT
14..	510 283202....	1	.... MAIN BAFFLE	30..	539 990254....	4	.... WASHER $\frac{1}{2}$ SLW
15..	539 105444....	1	.... CENTER BAFFLE	31..	539 990250....	4	.... WASHER $\frac{1}{2}$ SAE FLAT
16..	539 119007....	3	.... BOLT, BLADE	32..	539 916561....	3	.... BUSHING, 1"

# MOWER DECK / CUTTING DECK

## 52" Upper Deck





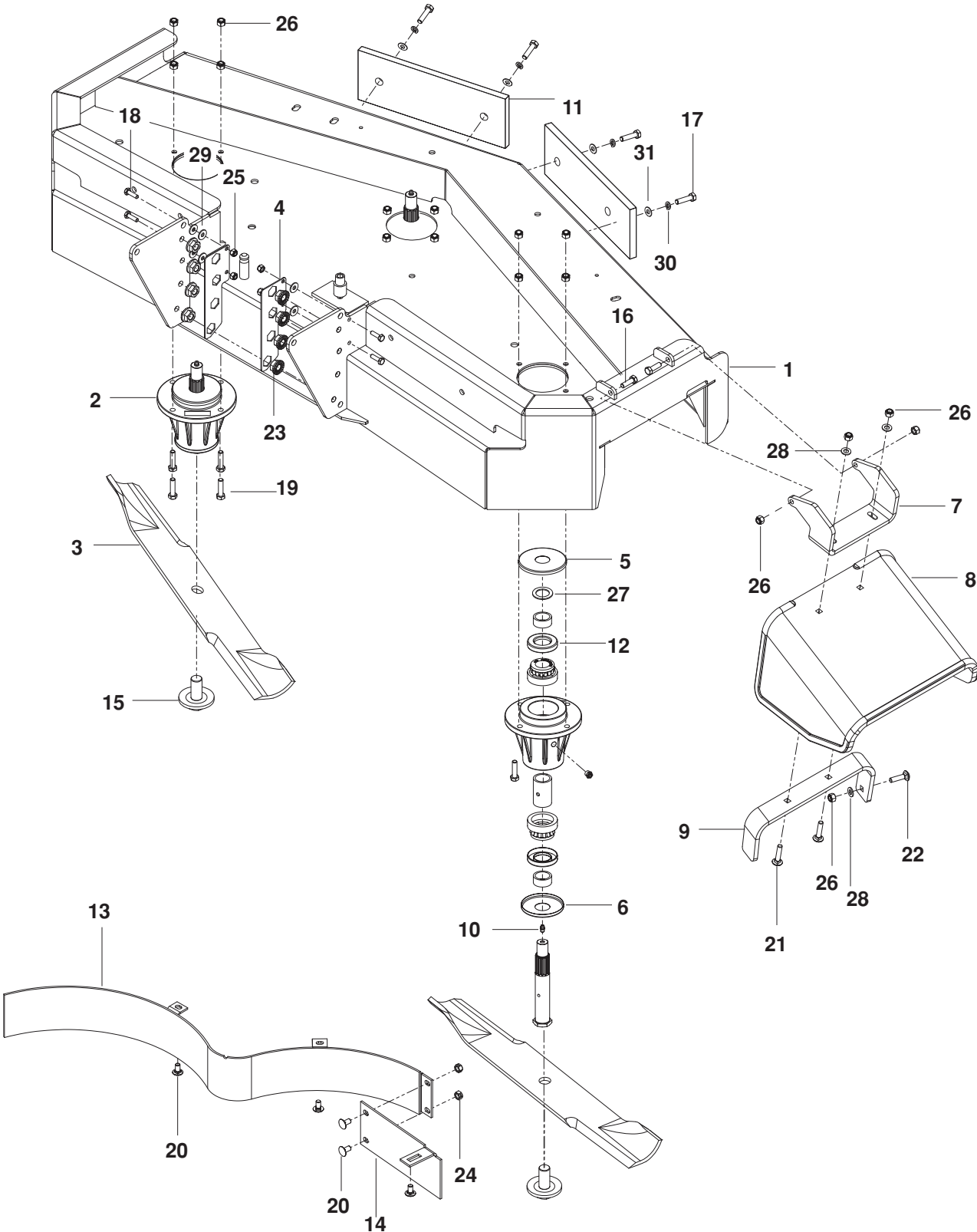
# MOWER DECK / CUTTING DECK

---

ITEM	PART NO.	QTY.	DESCRIPTION	ITEM	PART NO.	QTY.	DESCRIPTION
1..	505 290302....	1	COVER, BELT, 52	18..	539 101341....	2	HCS $\frac{3}{8}$ -16 x 3
2..	505 290402....	2	WEDGE	19..	539 990580....	2	HCS $\frac{1}{4}$ -20 x $\frac{3}{4}$
3..	539 114823....	1	CAP, VINYL	20..	539 103433....	1	HCS $\frac{1}{2}$ -13 x $3\frac{1}{4}$
4..	539 116424....	1	BELT, DECK 52	21..	539 107042....	1	HCS $\frac{3}{8}$ -16 x $1\frac{1}{2}$ GR 8
5..	522 023801....	3	PULLEY	22..	539 130235....	1	RHSNB $\frac{3}{8}$ -16 x $2\frac{3}{4}$
6..	539 103257....	3	PULLEY, IDLER	23..	539 109332....	1	NUT $\frac{3}{8}$ -16 HEX JAM
7..	539 103295....	1	BUSHING, IDLER	24..	539 990613....	1	NUT $\frac{3}{8}$ -16 HEX WHIZLK
8..	539 130242....	1	BUSHING, IDLER	25..	539 976979..	10	NUT $\frac{3}{8}$ -16 HEX NYLOC
9..	510 254501....	3	SHIELD, DUST	26..	539 101331....	1	NUT $\frac{1}{2}$ HEX NYLOC
10..	510 206301....	1	PIVOT, BEARING	27..	539 130653....	3	NUT $\frac{3}{4}$ -16 FLANGE
11..	510 126701....	2	LATCH, SHORT WING	28..	539 106504....	2	WASHER, HEAVY
12..	539 130391....	1	ARM, IDLER, w/ BEARINGS	29..	539 102243....	1	WASHER, SUPPORT
13..	539 130690....	1	SPRING	30..	539 990055....	2	WASHER, $\frac{1}{4}$ FLAT SAE
14..	539 132581....	2	HINGE, BIN	31..	539 990517....	4	WASHER $\frac{3}{8}$ FLAT
15..	539 132579....	1	BASE, HINGE	32..	522 023401....	1	WASHER, THICK $\frac{3}{8}$
16..	539 110813....	2	RETAINER $\frac{1}{4}$ -20 U TYPE	33..	539 115528....	1	WASHER, BELLEVILLE $\frac{1}{2}$
17..	539 108507....	8	HCS $\frac{3}{8}$ -16 x $\frac{7}{8}$				

# MOWER DECK / CUTTING DECK

## 52" Lower Deck

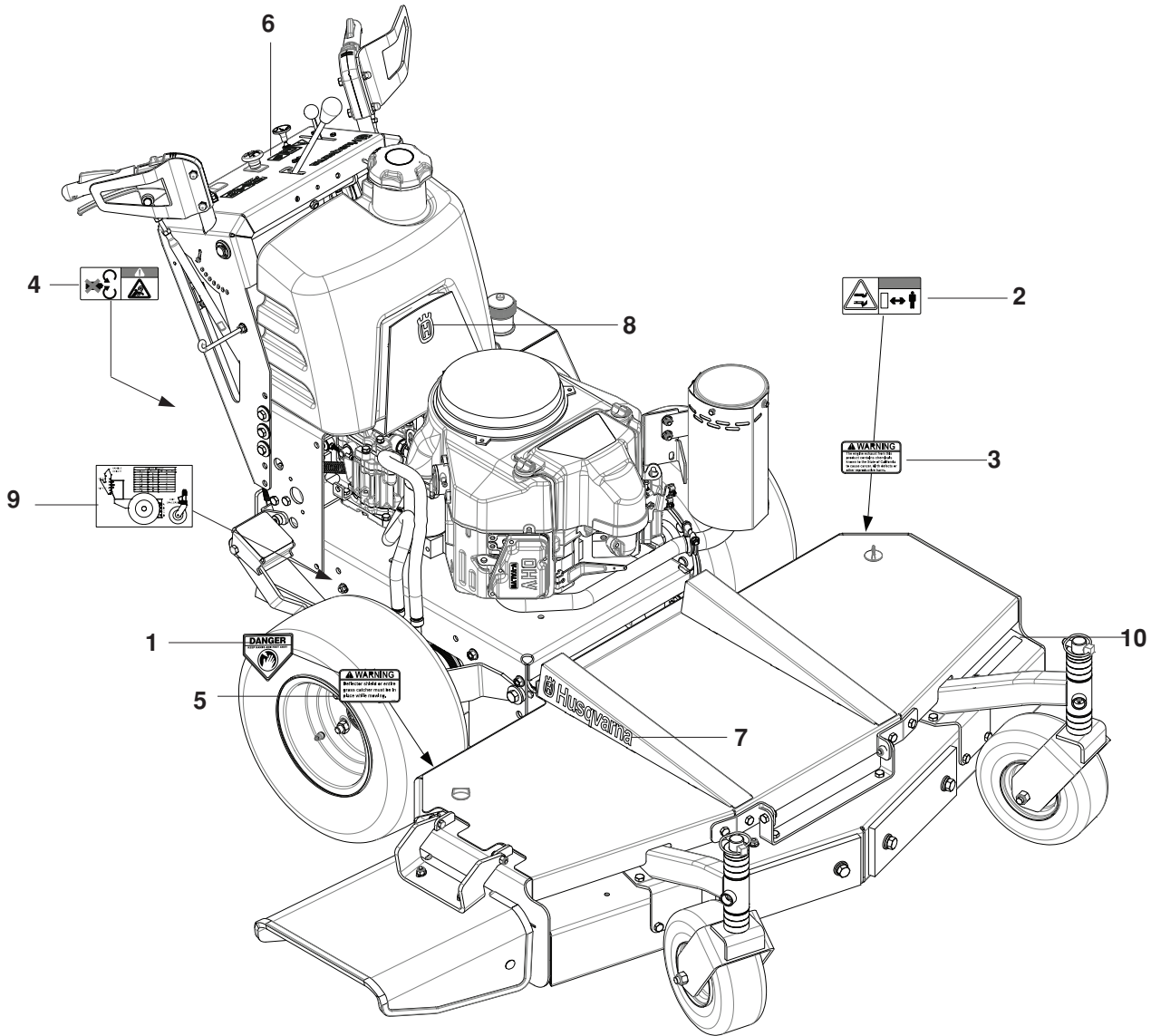


# MOWER DECK / CUTTING DECK

---

ITEM	PART NO.	QTY.	DESCRIPTION	ITEM	PART NO.	QTY.	DESCRIPTION
1..	522 478401....	1	.... DECK w/ SAFETY DECALS	17..	539 108374....	4	.... HCS 1/2-13 x 1 1/2
2..	539 131385....	3	.... SPINDLE ASSY	18..	539 990643....	4	.... HCS 1/4-20 x 7/8
3..	539 100341....	3	.... BLADE	19..	539 990627..	12	.... HCS 5/16-18 x 1 1/4
4..	539 132592....	2	.... PLATE, NUT	20..	539 990799....	5	.... RHSNB 5/16-18 x 5/8
5..	539 108450....	3	.... DUST CAP, TOP	21..	539 102933....	2	.... RHSNB 5/16-18 x 1 1/2
6..	539 108449....	3	.... DUST CAP, BOTTOM	22..	539 100472....	1	.... RHSNB 5/16-18 x 1 1/4
7..	539 132583....	1	.... HINGE, CHUTE	23..	506 113501....	7	.... NUT 1/2-13 FLANGE
8..	539 130903....	1	.... RUBBER CHUTE	24..	539 112899....	5	.... NUT 5/16-18 HEX FLANGE NYL
9..	539 130922....	1	.... REINFORCEMENT, BRKT	25..	539 976978....	4	.... NUT 1/4-20 HEX NYLOC
10..	539 101474....	3	.... ZERK	26..	539 990717..	17	.... NUT 5/16-18 HEX NYLOC
11..	522 000502....	2	.... WEIGHT, COUNTER	27..	539 916561....	3	.... BUSHING 1"
12..	539 108754....	6	.... SEAL, SHAFT	28..	539 990188....	3	.... WASHER 5/16 SAE FLAT
13..	539 105457....	1	.... MAIN BAFFLE	29..	539 990598....	8	.... WASHER 1/4 FLAT
14..	539 105453....	1	.... CENTER BAFFLE	30..	539 990254....	4	.... WASHER 1/2 SLW
15..	539 119007....	3	.... BOLT, BLADE	31..	539 990250....	4	.... WASHER 1/2 SAE FLAT
16..	539 990209....	2	.... HCS 5/16-18 x 1				

# DECALS



# DECALS

---

ITEM	PART NO.	QTY.	DESCRIPTION	ITEM	PART NO.	QTY.	DESCRIPTION
1..	539 913010....	1 ....	DECAL, BLADE WARNING	7..	532 429196....	2 ....	DECAL, HUSQVARNA
2..	539 105746....	1 ....	DECAL, SEVERING	8..	532 428676....	1 ....	DECAL, CROWN
3..	539 101881....	1 ....	DECAL, EXHAUST	9..	521 933701....	1 ....	DECAL, HEIGHT OF CUT
4..	539 105744....	1 ....	DECAL, BELT DRIVES	10..	576 948401....	1 ....	DECAL, WH5218
5..	539 113224....	1 ....	DECAL, DEFLECTOR WARN		576 948301....	1 ....	DECAL, WH4818
6..	520 282601....	1 ....	DECAL, INSTRUMENT PNL		576 948201....	1 ....	DECAL, WH3616





