



Husqvarna

Parts Manual

SC18A/968999509

SC18A BF/968999533

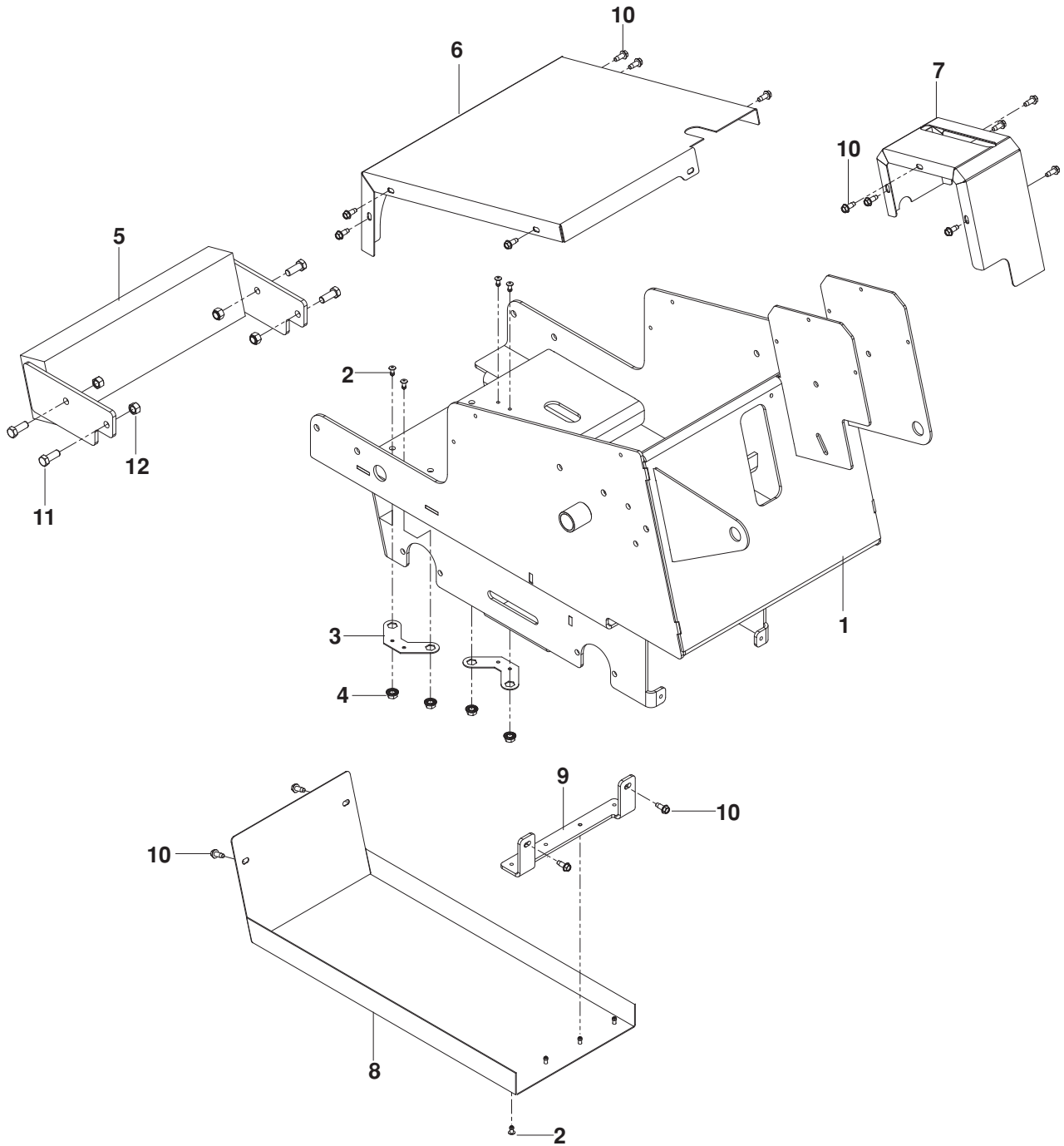
**Please read the operator's manual carefully and make sure
you understand the instructions before using the machine.**

CONTENTS

FRAME.....	4	SHIFT.....	14
HANDLE.....	6	TRUNNION.....	16
DRIVE.....	8	AXLE.....	18
BLADE DRIVE.....	10	DECALS.....	20
DEPTH CONTROL.....	12		

NOTE: ALL FASTENERS ARE GRADE 5 UNLESS OTHERWISE SPECIFIED.

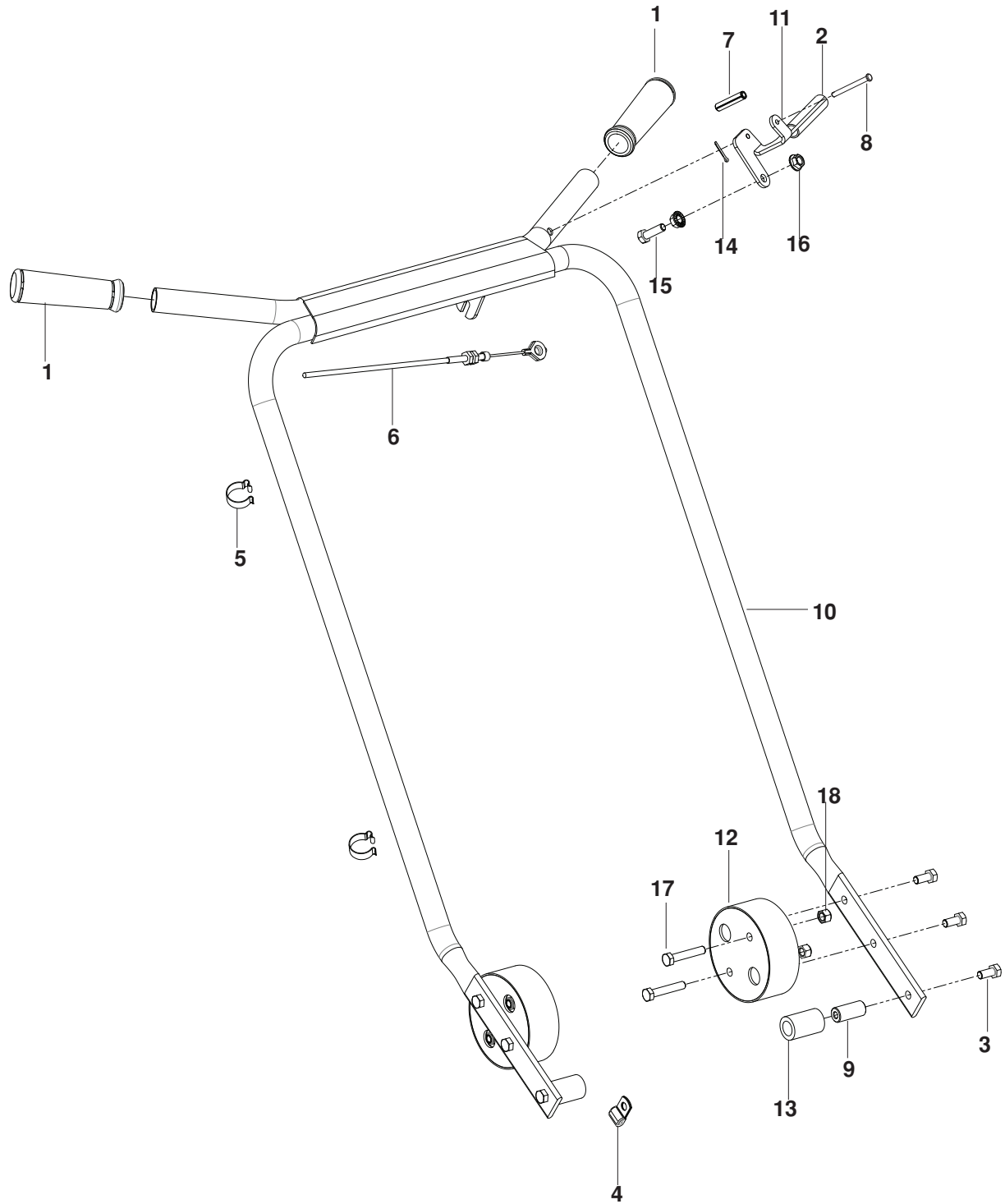
FRAME



FRAME

ITEM	PART NO.	QTY.	DESCRIPTION	ITEM	PART NO.	QTY.	DESCRIPTION
1..	539 114010.....	1	...FRAME, ORG	7..	539 114004.....	1	...COVER, SHIFT, ORG
2..	539 200684.....	8	...RIVET $\frac{3}{16}$ STAVEX	8..	539 114006.....	1	...BELLY PAN, ORG
3..	539 112861.....	2	...NUT PLATE	9..	539 114007.....	1	...END BRACKET, ORG
4..	539 112899.....	4	...NUT $\frac{5}{16}$ -18 FLG NYLOC	10..	539 990362...	17	...SCREW $\frac{1}{4}$ -20 x $\frac{5}{8}$ SELF TAP
5..	539 112836.....	1	...FRONT WEIGHT	11..	539 990563.....	4	...HCS $\frac{3}{8}$ -16 x 1
6..	539 114003.....	1	...COVER, TOP, ORG	12..	539 976979.....	4	...NUT $\frac{3}{8}$ -16 HEX NYLOC

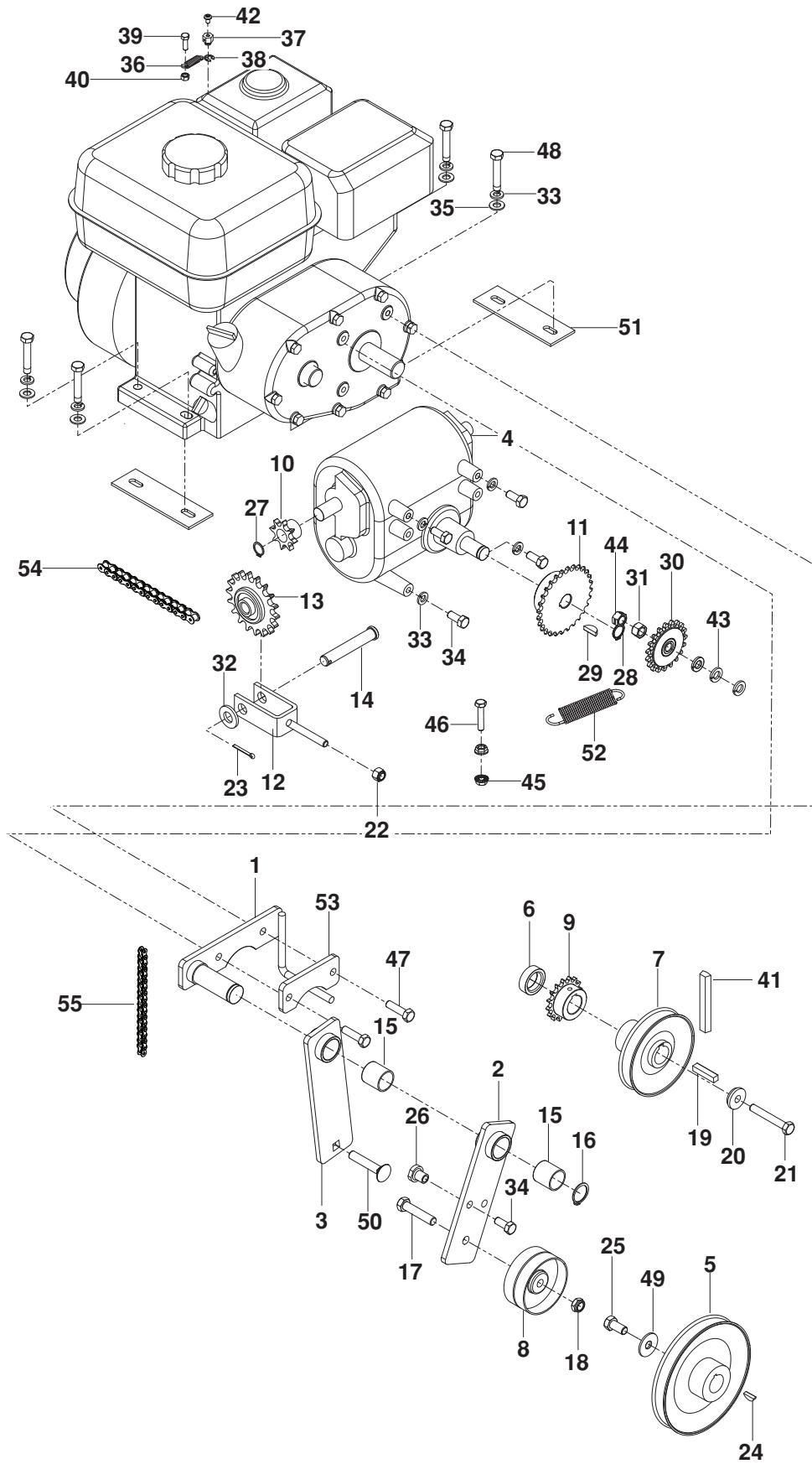
HANDLE



HANDLE

ITEM	PART NO.	QTY.	DESCRIPTION	ITEM	PART NO.	QTY.	DESCRIPTION
1..	539 000033.....	2	GRIP, HANDLE	10..	539 114013.....	1	HANDLE GRY
2..	539 101050.....	1	GRIP, VINYL	11..	539 114020.....	1	LEVER, THROTTLE
3..	539 108519.....	6	HCS, M8-1.25 x 22MM, GR8.8	12..	539 030452.....	2	MOUNT
4..	539 109867.....	1	TUBE CLAMP, DOUBLE	13..	539 030468.....	2	BUSHING
5..	539 112870.....	2	CLIP, CABLE	14..	539 990037.....	1	PIN COTTER $\frac{3}{32} \times \frac{3}{4}$
6..	539 113221.....	1	CABLE PULL	15..	539 990209.....	1	HCS $\frac{5}{16}$ -18 x 1
7..	539 113222.....	1	ROLL PIN $\frac{5}{16} \times 1 \frac{1}{2}$	16..	539 990585.....	2	NUT $\frac{5}{16}$ -18 WHIZLK
8..	539 113223.....	1	PIN, CLEVIS	17..	539 990669.....	4	HCS $\frac{5}{16}$ -18 x $1 \frac{3}{4}$
9..	539 113454.....	2	STAND OFF	18..	539 990717.....	4	NUT $\frac{5}{16}$ -18 NYLOC

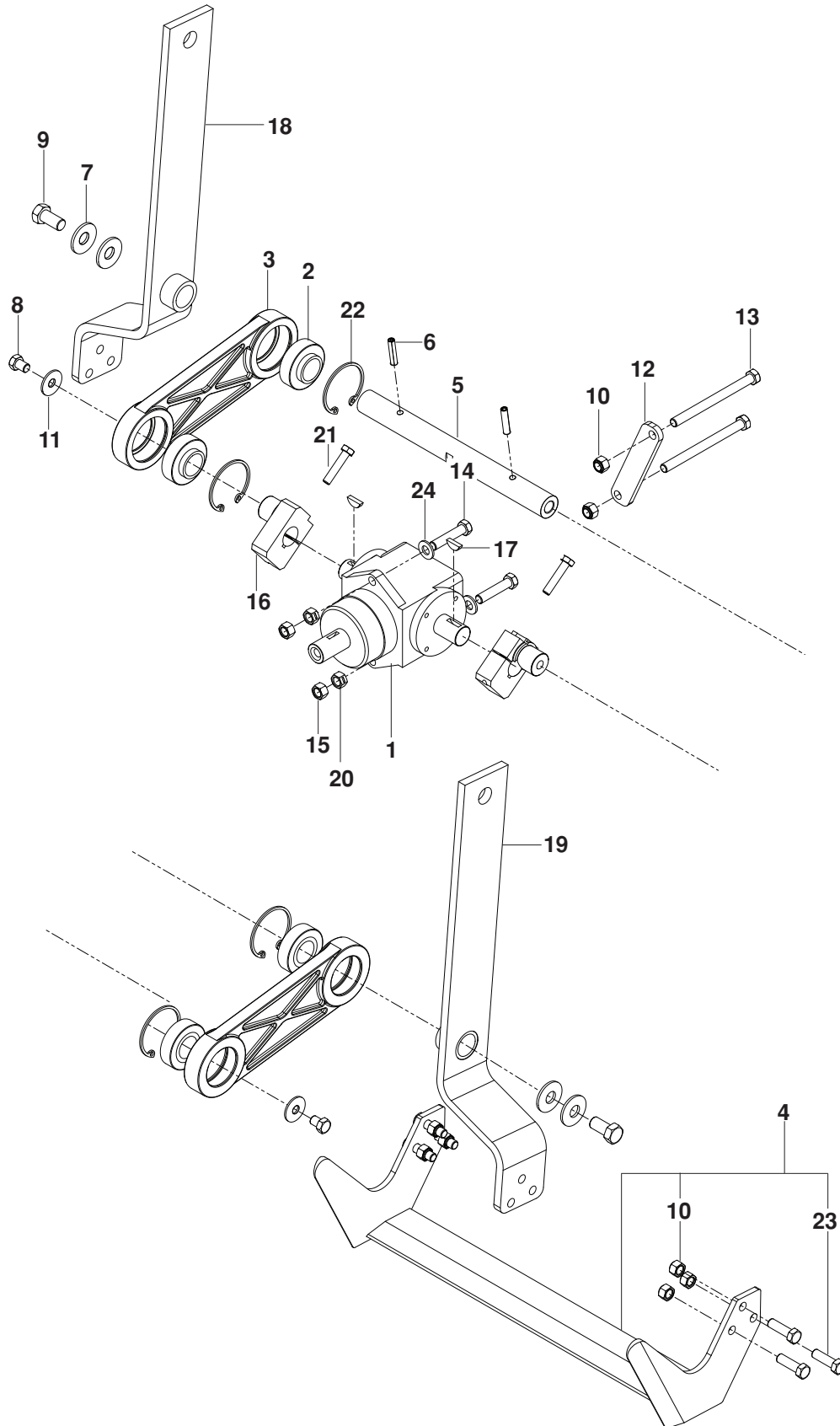
DRIVE



DRIVE

ITEM	PART NO.	QTY.	DESCRIPTION	ITEM	PART NO.	QTY.	DESCRIPTION
1..	539 112855.....	1	PIVOT, IDLER	29..	539 910211.....	1	KEY, WOODRUFF #9
2..	539 112869.....	1	ARM, IDLER, BELT	30..	539 112833.....	1	SPROCKET, 35 PITCH
3..	539 112868.....	1	ARM, IDLER, CHAIN	31..	539 976979.....	1	NUT 3/8-16 NYLOC
4..	539 112854.....	1	TRANSMISSION, 4 SPEED	32..	539 990250.....	1	WASHER 1/2 SAE
5..	539 112463.....	1	PULLEY, 5.25 A	33..	539 990187.....	8	WASHER 5/16 SLW
6..	539 112825.....	1	SPACER, PTO SHAFT	34..	539 976934.....	5	HCS 5/16-18 x 3/4
7..	539 112464.....	1	PULLEY, 3.75 A	35..	539 990188.....	4	WASHER 5/16 SAE
8..	539 000343.....	1	PULLEY IDLER	36..	539 030445.....	1	SPRING, THROTTLE
9..	539 030440.....	1	SPROCKET, ENGINE	37..	539 030449.....	1	CLAMP, THROTTLE CABLE
10..	539 030456.....	1	SPROCKET #40 CHAIN	38..	539 030451.....	1	E-RING CLIP, THROTTLE
11..	539 030429.....	1	SPROCKET	39..	539 108520.....	1	HCS M5-0.8 x 16 GR 8.8
12..	539 003133.....	1	CHAIN TENSIONER, BLACK	40..	539 109154.....	1	NUT 5mm-8
13..	539 030430.....	1	SPROCKET	41..	539 030439.....	1	V-BELT
14..	539 109216.....	1	PIN CLEVIS 1/2 x 3	42..	539 108583.....	1	SCREW #8-32 x 1/4
15..	539 108619.....	2	BUSHING	43..	539 990118.....	3	WASHER 3/8 SPLT LOCK
16..	539 101151.....	1	RETAINING RING	44..	539 990546.....	1	NUT 3/8-16 CNTRLK
17..	539 990730.....	1	HCS 3/8-18 x 1 3/4	45..	539 108735.....	2	NUT 1/4-20 FLANGE LK
18..	539 200282.....	1	NUT 3/8-16 HAM NYLOC	46..	539 100266.....	1	HCS 1/4-20 x 1 1/4
19..	539 109159.....	1	KEY 7mm SQ x 33mm	47..	539 100567.....	2	HCS M8-1.25 x 30 GR 8.8
20..	539 112826.....	1	WASHER, STEPPED	48..	539 990669.....	4	HCS 5/16-18 x 1 3/4
21..	539 112859.....	1	HCS M8-1.25 x 55 GR 8.8	49..	539 112483.....	1	WASHER 3/8 SPRING
22..	539 990717.....	1	NUT 5/16-18 NYLOC	50..	539 100145.....	1	RHSNB 3/8-16 x 2
23..	539 109246.....	1	PIN COTTER 1/8 x 1	51..	539 007203.....	2	PLATE, ENGINE
24..	539 910008.....	1	KEY WOODRUFF #6	52..	539 010195.....	1	SPRING
25..	539 977748.....	1	HCS 3/8-24 x 3/4	53..	539 113180.....	1	KEEPER, CHAIN
26..	539 113455.....	1	SPRING ANCHOR	54..	539 030443.....	1	CHAIN, TRANSMISSION #35
27..	539 109984.....	1	RING 9/16 RETAINING, EXT	55..	539 112875.....	1	CHAIN, #40
28..	539 101971.....	1	RETAINING RING				

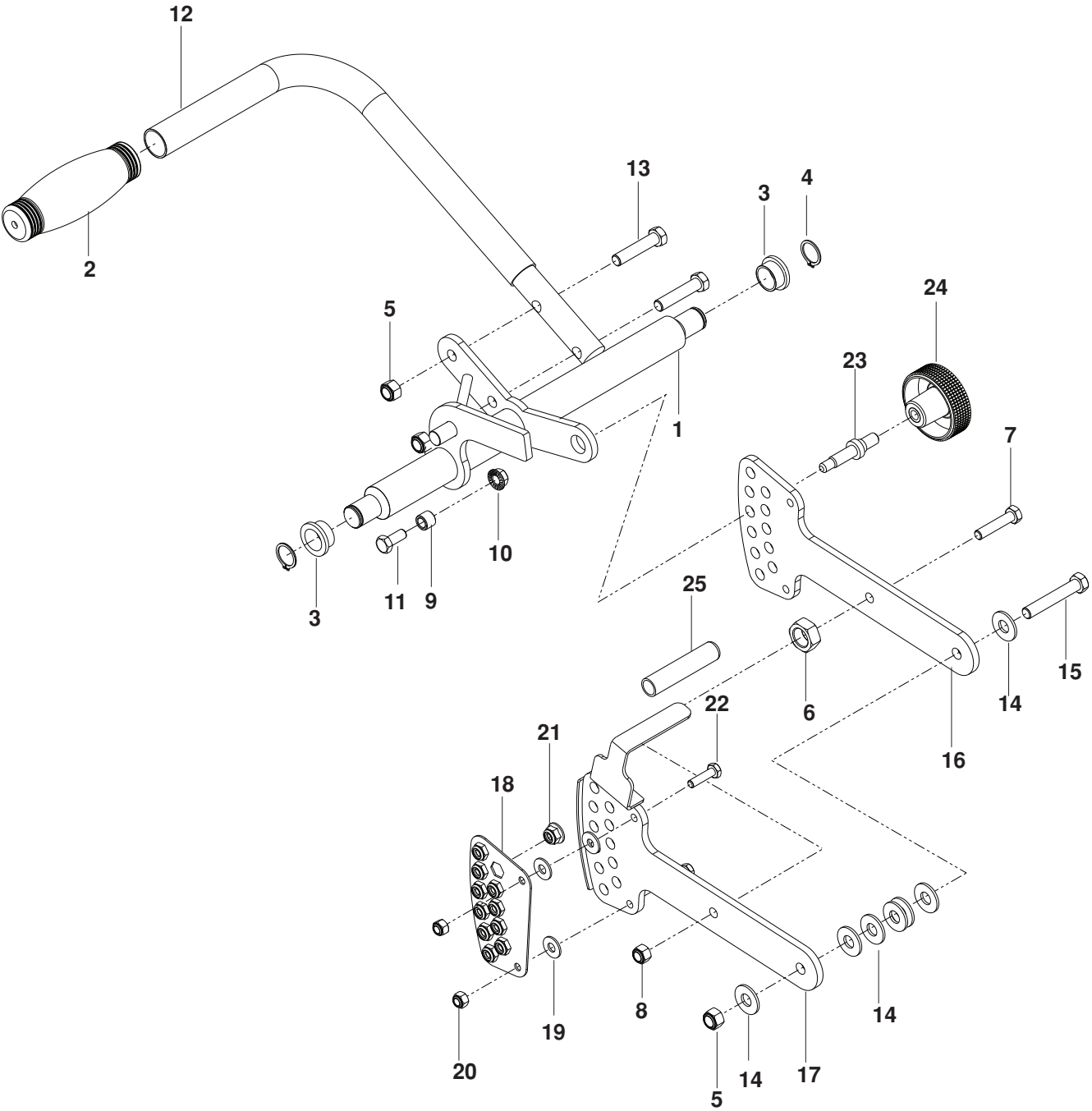
BLADE DRIVE



BLADE DRIVE

ITEM	PART NO.	QTY.	DESCRIPTION	ITEM	PART NO.	QTY.	DESCRIPTION
1..	539 030455.....	1	GEAR BOX	13..	539 990591.....	2	HCS $\frac{3}{8}$ -16 x 4 $\frac{1}{2}$
2..	539 102677.....	4	BEARING	14..	539 977670.....	2	HCS $\frac{3}{8}$ -24 x 1 $\frac{3}{4}$ GR 8
3..	539 112465.....	2	LINK, CONNECTING	15..	539 990155.....	2	NUT $\frac{3}{8}$ -24 GR2
4..	539 113449.....	1	BLADE KIT, 18"	16..	539 112872.....	2	ECCENTRIC
5..	539 112471.....	1	SHAFT, BLADE ARM	17..	539 910211.....	2	KEY, WOODRUFF #9
6..	539 112879.....	2	SPIRAL PIN $\frac{1}{4}$ x 1 $\frac{1}{4}$	18..	539 112873.....	1	BLADE ARM, RH
7..	539 112484.....	4	SPRING WASHER $\frac{1}{2}$	19..	539 112874.....	1	BLADE ARM, LH
8..	539 106776.....	2	HCS $\frac{3}{8}$ -16 x $\frac{1}{2}$	20..	539 990289.....	2	NUT $\frac{3}{8}$ -24 CTR LK
9..	539 990646.....	2	HCS $\frac{1}{2}$ -13 x 1	21..	539 976935.....	2	HCS $\frac{5}{16}$ -18 x 1 $\frac{1}{2}$
10..	539 976979.....	8	NUT $\frac{3}{8}$ -16 NYLOC	22..	539 112482.....	4	SNAP RING 52mm
11..	539 112483.....	2	SPRING WASHER $\frac{3}{8}$	23..	539 130628.....	6	HCS $\frac{3}{8}$ -16 x 1 $\frac{1}{4}$ GR 8
12..	539 112850.....	1	STRAP, T BOX	24..	539 990122.....	2	WASHER $\frac{3}{8}$ SAE

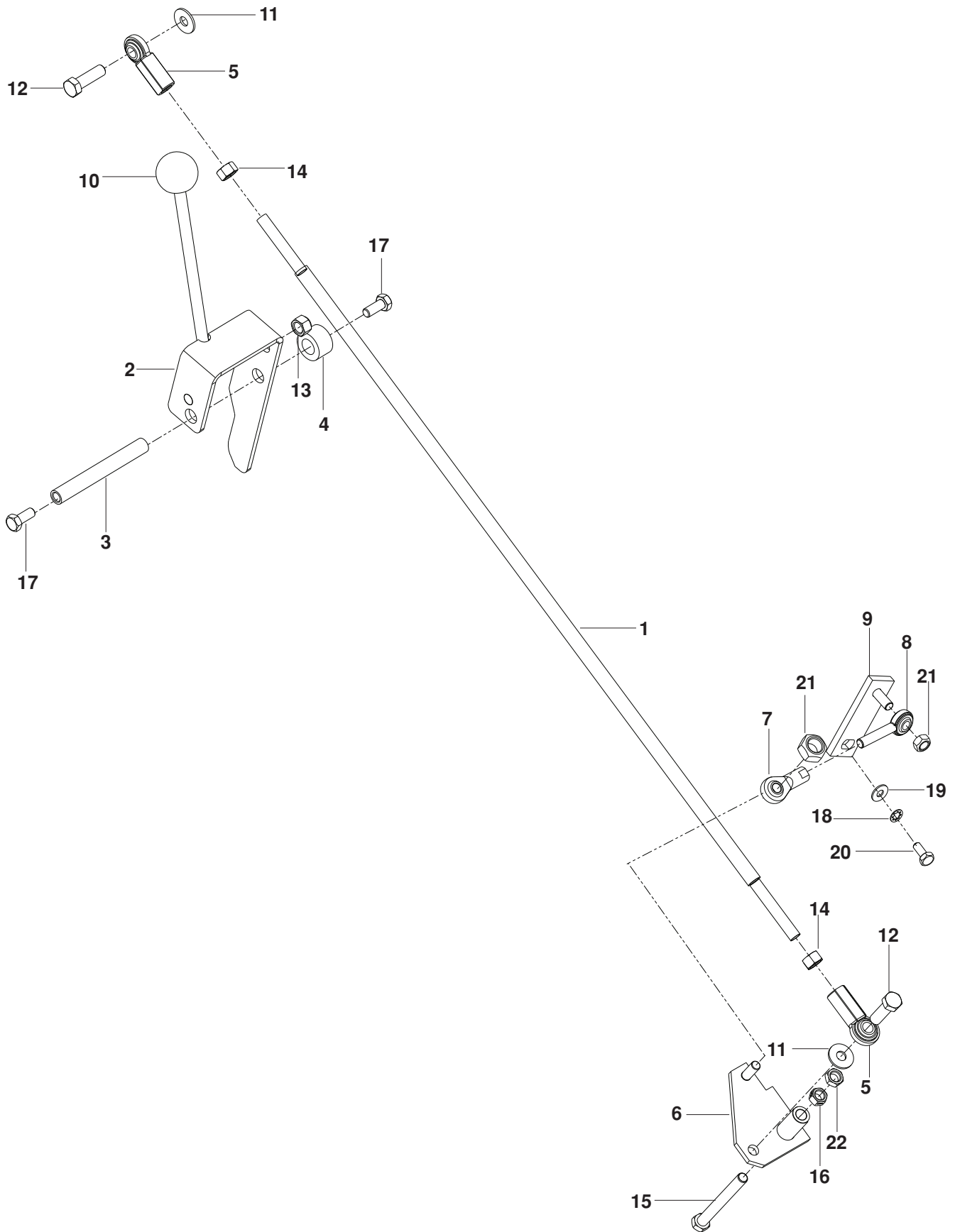
DEPTH CONTROL



DEPTH CONTROL

ITEM	PART NO.	QTY.	DESCRIPTION	ITEM	PART NO.	QTY.	DESCRIPTION
1..	505 162702.....	1	... SHAFT	14..	539 990517.....	7	... WASHER $\frac{3}{8}$
2..	539 976488.....	1	... GRIP, HANDLE	15..	539 990629.....	1	... HCS $\frac{3}{8}$ -16 x 2 $\frac{1}{4}$
3..	539 112895.....	2	... BEARING, FLANGE	16..	539 114017.....	1	... ADJUSTER
4..	539 112496.....	2	... SNAP RING $\frac{3}{4}$	17..	539 114018.....	1	... ADJUSTER, RH
5..	539 976979.....	3	... NUT $\frac{3}{8}$ -16 NYLOC	18..	539 114019.....	1	... PLATE-ADJUSTER NUT
6..	539 976980.....	1	... NUT $\frac{5}{8}$ -18	19..	539 990598.....	2	... WASHER $\frac{1}{4}$
7..	539 976935.....	1	... HCS $\frac{5}{16}$ -18 x 1 $\frac{1}{2}$	20..	539 976978.....	2	... NUT $\frac{1}{4}$ -20 NYLOC
8..	539 990717.....	1	... NUT $\frac{5}{16}$ NYLOC	21..	539 112899...11	11	... NUT $\frac{5}{16}$ -18 FLANGE NYLOC
9..	539 102827.....	1	... PULLEY SPACER	22..	539 990548.....	2	... HCS $\frac{1}{4}$ -20 x 1
10..	539 990585.....	1	... NUT $\frac{5}{16}$ WHIZLK	23..	516 034901.....	1	... BOLT, STUD ADJUSTER
11..	539 976934.....	1	... HCS $\frac{5}{16}$ -18 x $\frac{3}{4}$	24..	539 113452.....	1	... KNOB
12..	539 114016.....	1	... HANDLE	25..	539 101050.....	1	... GRIP, VINYL
13..	539 990730.....	2	... HCS $\frac{3}{8}$ -16 x 1 $\frac{3}{4}$				

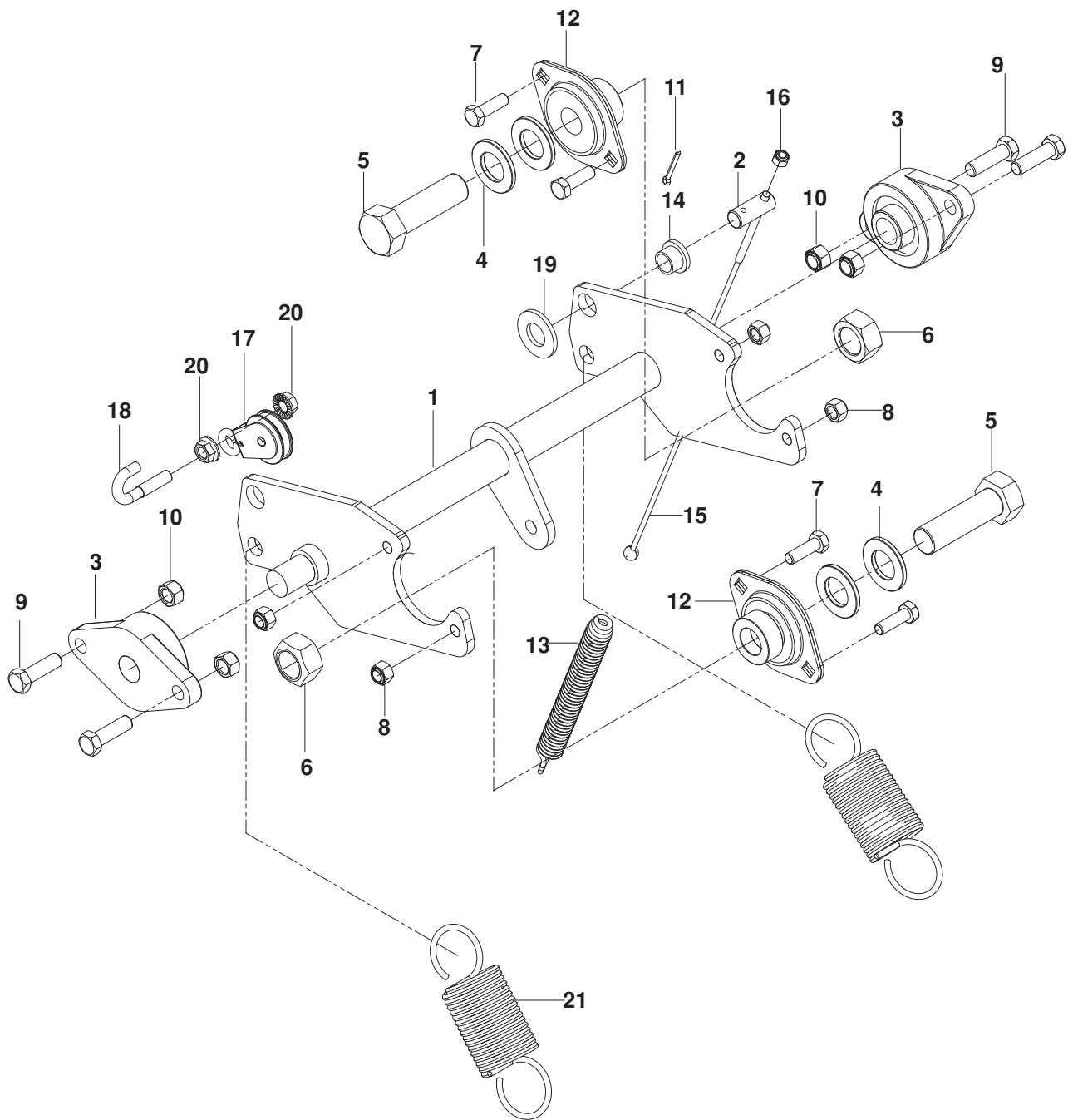
SHIFT



SHIFT

ITEM	PART NO.	QTY.	DESCRIPTION	ITEM	PART NO.	QTY.	DESCRIPTION
1..	539 112852.....	1	... SHIFT ROD	12..	539 976941.....	2	... HCS $\frac{3}{8}$ -16 x 1 $\frac{1}{4}$
2..	539 114009.....	1	... SHIFT LEVER, ORG	13..	539 976979.....	1	... NUT $\frac{3}{8}$ -16 NYLOC
3..	539 112490.....	1	... SHAFT, SHIFT PIVOT	14..	539 990155.....	2	... NUT $\frac{3}{8}$ -24 GR2
4..	539 100526.....	1	... SPACER	15..	539 102754.....	1	... HCS $\frac{3}{8}$ -16 x 3 $\frac{1}{2}$ GR 8
5..	539 030425.....	2	... ROD END $\frac{3}{8}$ -24 FEMALE	16..	539 990546.....	1	... NUT $\frac{3}{8}$ -16 CNTRLK
6..	539 003136.....	1	... SHIFT BELL CRANK	17..	539 976934.....	2	... HCS $\frac{5}{16}$ -18 x $\frac{3}{4}$
7..	539 102590.....	1	... BALL END, RH	18..	539 990053.....	1	... WASHER $\frac{1}{4}$ INT TOOTH LK
8..	539 030423.....	1	... ROD END $\frac{5}{16}$ MALE	19..	539 990055.....	1	... WASHER $\frac{1}{4}$ SAE
9..	539 003135.....	1	... SHIFT ARM	20..	539 990100.....	1	... HCS $\frac{1}{4}$ -28 x $\frac{5}{8}$
10..	539 112877.....	1	... KNOB, SHIFT	21..	539 109758.....	2	... NUT $\frac{5}{16}$ -24 TOP LK GRC
11..	539 990692.....	2	... WASHER $\frac{5}{16}$	22..	539 109332.....	1	... NUT $\frac{3}{8}$ -16 JAM

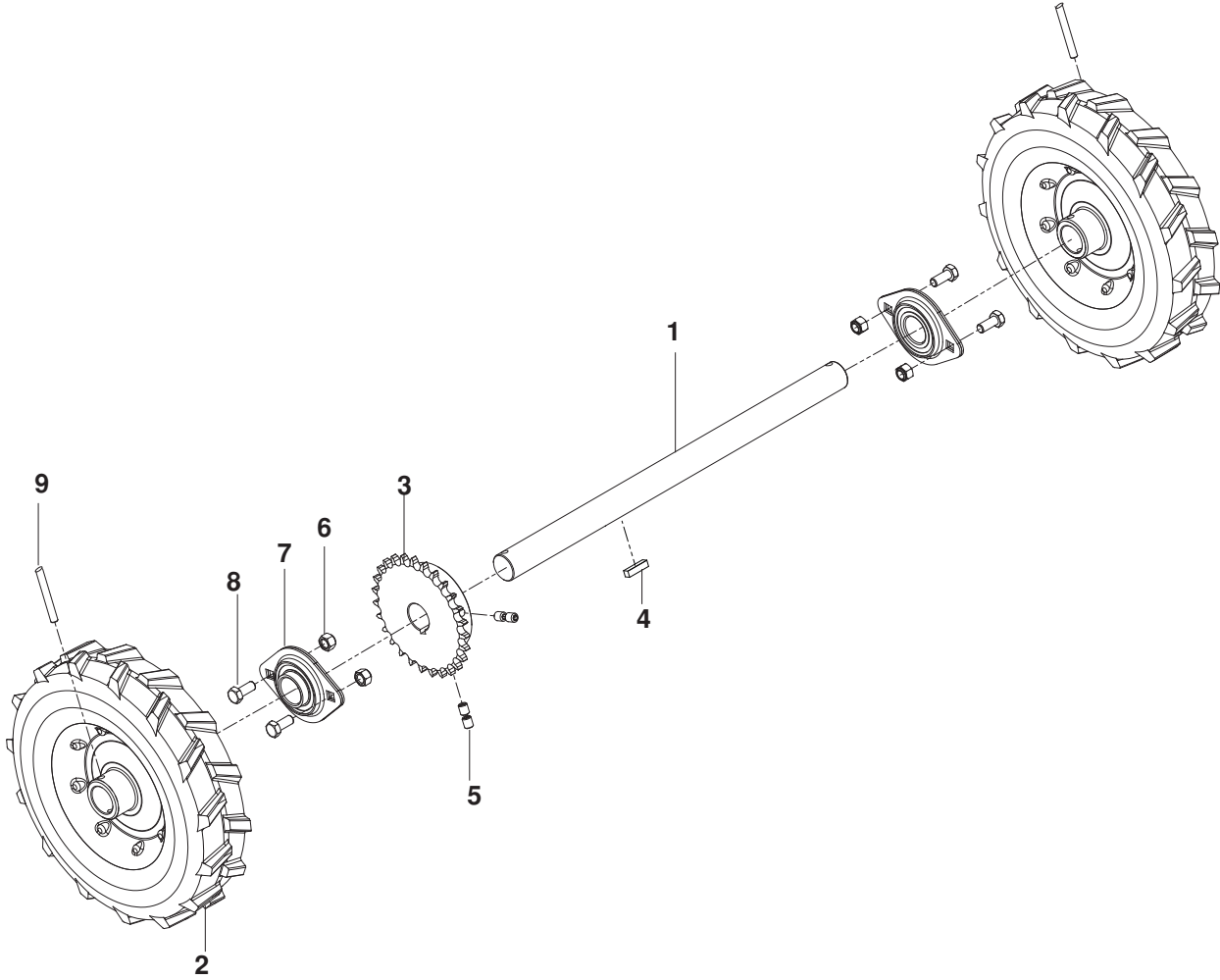
TRUNNION



TRUNNION

ITEM	PART NO.	QTY.	DESCRIPTION	ITEM	PART NO.	QTY.	DESCRIPTION
1..	539 112834.....	1	... TRUNNION	12..	539 000316.....	4	... FLANGE $\frac{3}{4}$
2..	539 130624.....	1	... PIN, CABLE PIVOT	13..	539 113377.....	1	... SPRING EXTENSION
3..	539 112478.....	2	... BEARING $\frac{3}{4}$ 2 BOLT	14..	539 100032.....	1	... BUSHING, FLANGED
4..	539 109333.....	4	... WASHER $\frac{3}{4}$ SAE	15..	539 130625.....	1	... CABLE, PULL
5..	539 108438.....	2	... HCS $\frac{3}{4}$ -16 x 2 $\frac{1}{2}$	16..	539 976978.....	1	... NUT $\frac{1}{4}$ -20 NYLOC
6..	539 110800.....	2	... NUT $\frac{3}{4}$ -16 TOP LK	17..	539 030464.....	1	... PULLEY BRACKET
7..	539 990209.....	4	... HCS $\frac{5}{16}$ -18 x 1	18..	539 112896.....	1	... J-BOLT
8..	539 990717.....	4	... NUT $\frac{5}{16}$ -18 NYLOC	19..	539 976982.....	1	... WASHER $\frac{5}{8}$ SAE
9..	539 976941.....	4	... HCS $\frac{3}{8}$ -16 x 1 $\frac{1}{4}$	20..	539 990585.....	2	... NUT $\frac{5}{16}$ -18 WHIZLK
10..	539 976979.....	4	... NUT $\frac{3}{8}$ -16 NYLOC	21..	539 113185.....	2	... SPRING, EXTENSION
11..	539 109246.....	1	... PIN COTTER $\frac{1}{8}$ x 1				

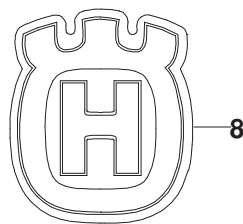
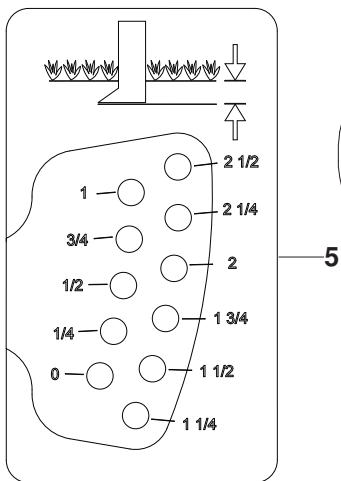
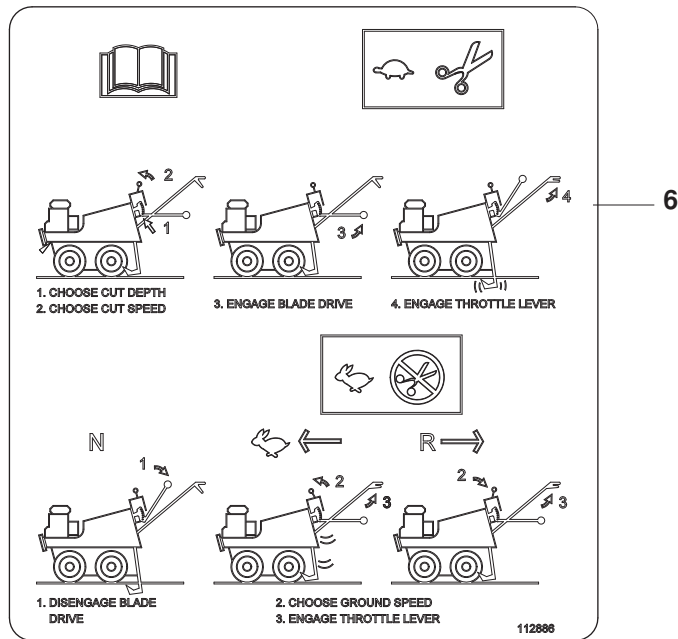
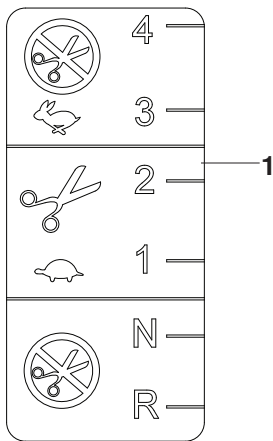
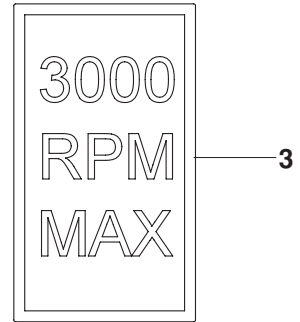
AXLE



AXLE

ITEM	PART NO.	QTY.	DESCRIPTION	ITEM	PART NO.	QTY.	DESCRIPTION
1..	539 112823.....	2	AXLE	6..	539 990717.....	8	NUT $\frac{5}{16}$ -18 NYLOC
2..	540 030426.....	4	WHEEL 2.75 x 10 x 1	7..	539 000318.....	4	BEARING FLANGE
3..	539 000303.....	2	SPROCKET	8..	539 976934.....	8	HCS $\frac{5}{16}$ -18 x $\frac{3}{4}$
4..	539 105308.....	2	KEY $\frac{1}{4}$ SQ x 1	9..	539 113453.....	4	SPIRAL PIN $\frac{1}{4}$ x $1\frac{1}{2}$
5..	539 976956.....	8	KPSS $\frac{5}{16}$ -18 x $\frac{3}{8}$				

DECALS



DECALS

ITEM	PART NO.	QTY.	DESCRIPTION	ITEM	PART NO.	QTY.	DESCRIPTION
1..	539 112881.....	1	...DECAL, SHIFT	5..	539 112888.....	1	...DECAL, DEPTH OF CUT
2..	539 101881.....	1	...DECAL, PROP 65	6..	539 112886.....	1	...DECAL, OPERATION
3..	540 200025.....	1	...DECAL, 3000 MAX RPM	7..	532 429196.....	2	...DECAL, HUSQVARNA
4..	540 200076.....	1	...DECAL, DANGER FOOT	8..	532 428676.....	1	...DECAL, CROWN

