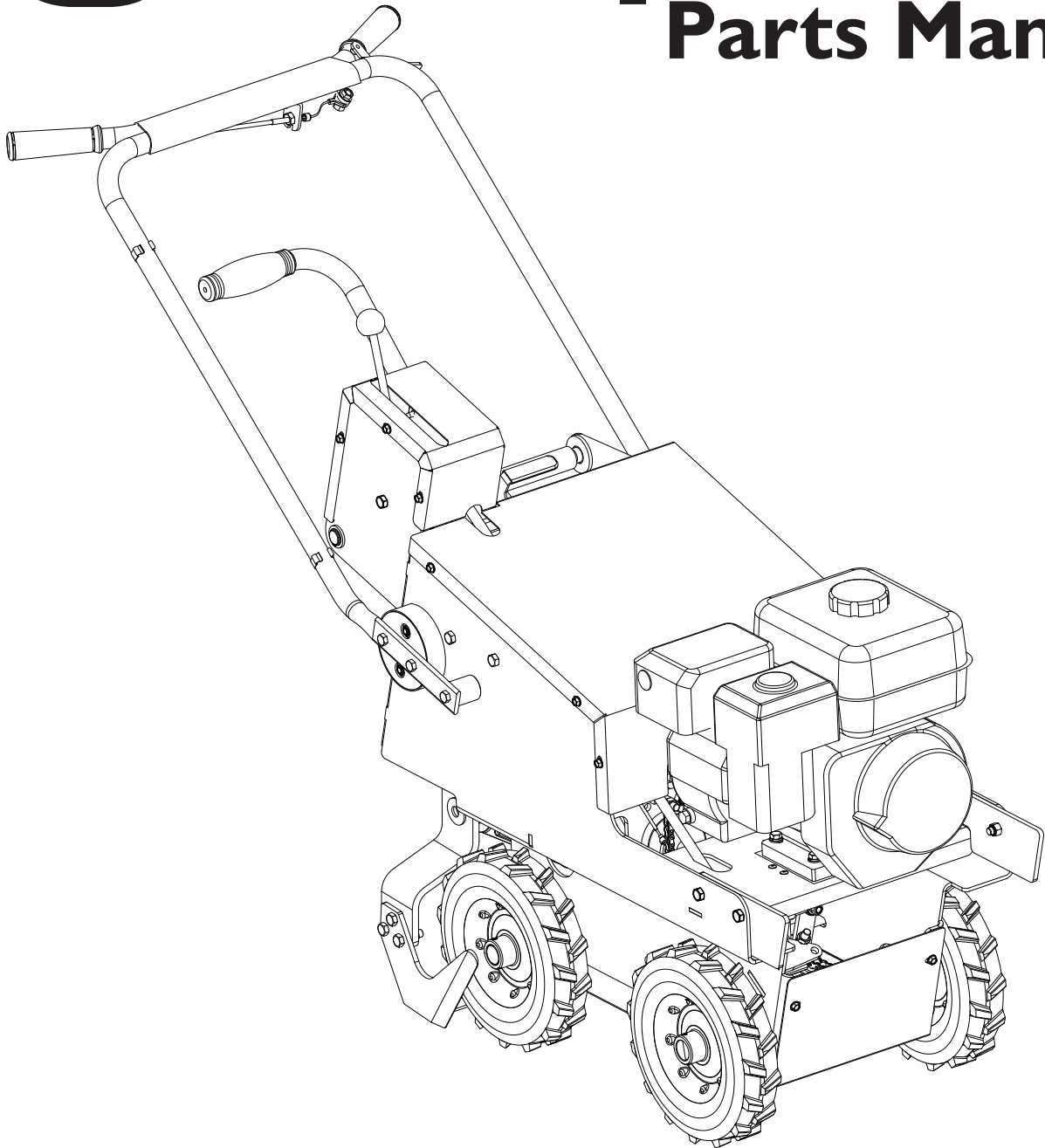


Husqvarna

Parts Manual



Sod Cutter
Model

SCI8A CE / 968999510

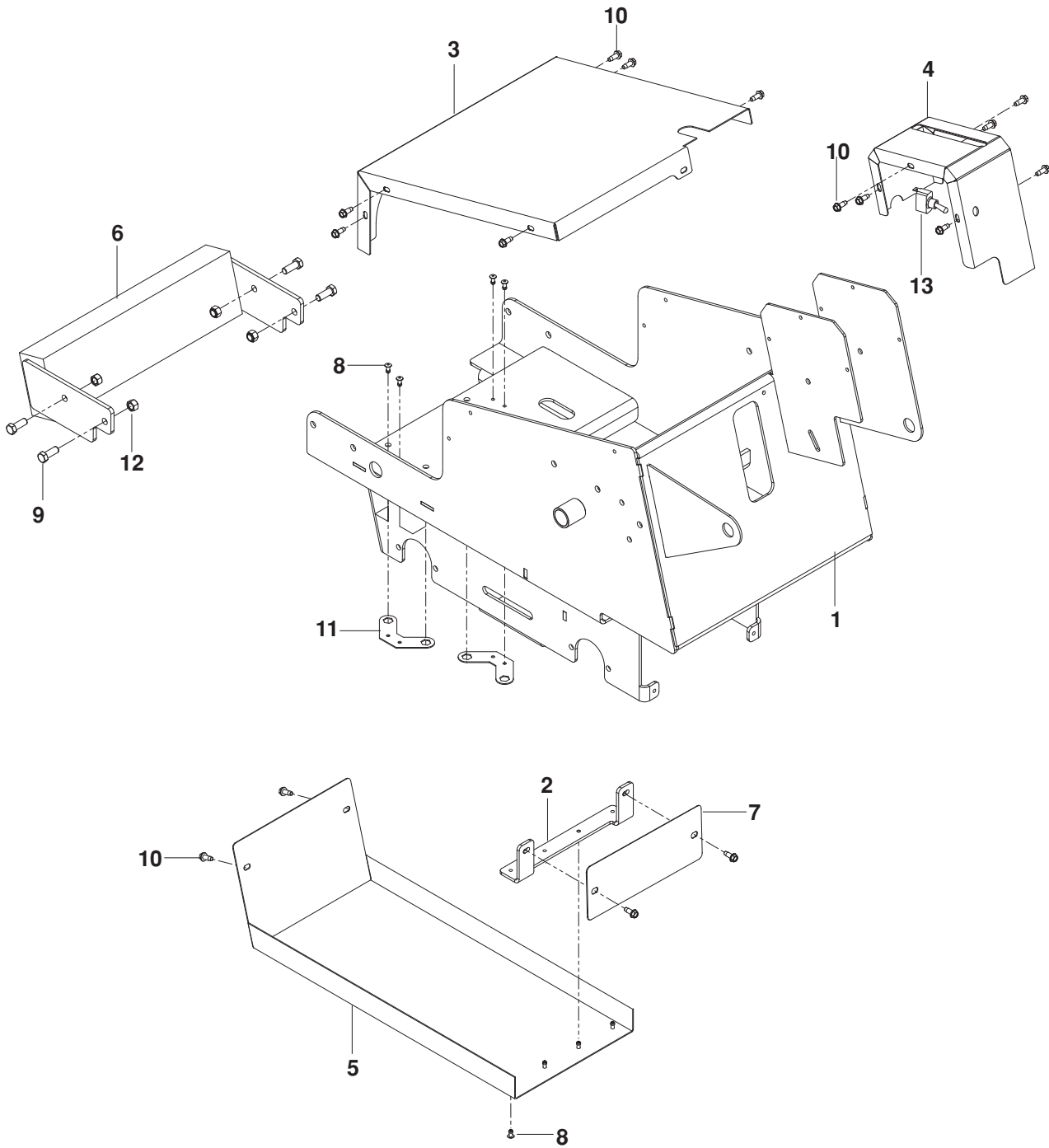
Please read the operator's manual carefully and make sure you understand the instructions before using the machine.

CONTENTS

FRAME.....	4	GEARS.....	14
DRIVE	6	TRUNNION.....	16
HANDLE	8	AXLE.....	18
BLADE DRIVE.....	10	DECALS.....	20
DEPTH CONTROL.....	12		

NOTE: ALL FASTENERS ARE GRADE 5 UNLESS OTHERWISE SPECIFIED.

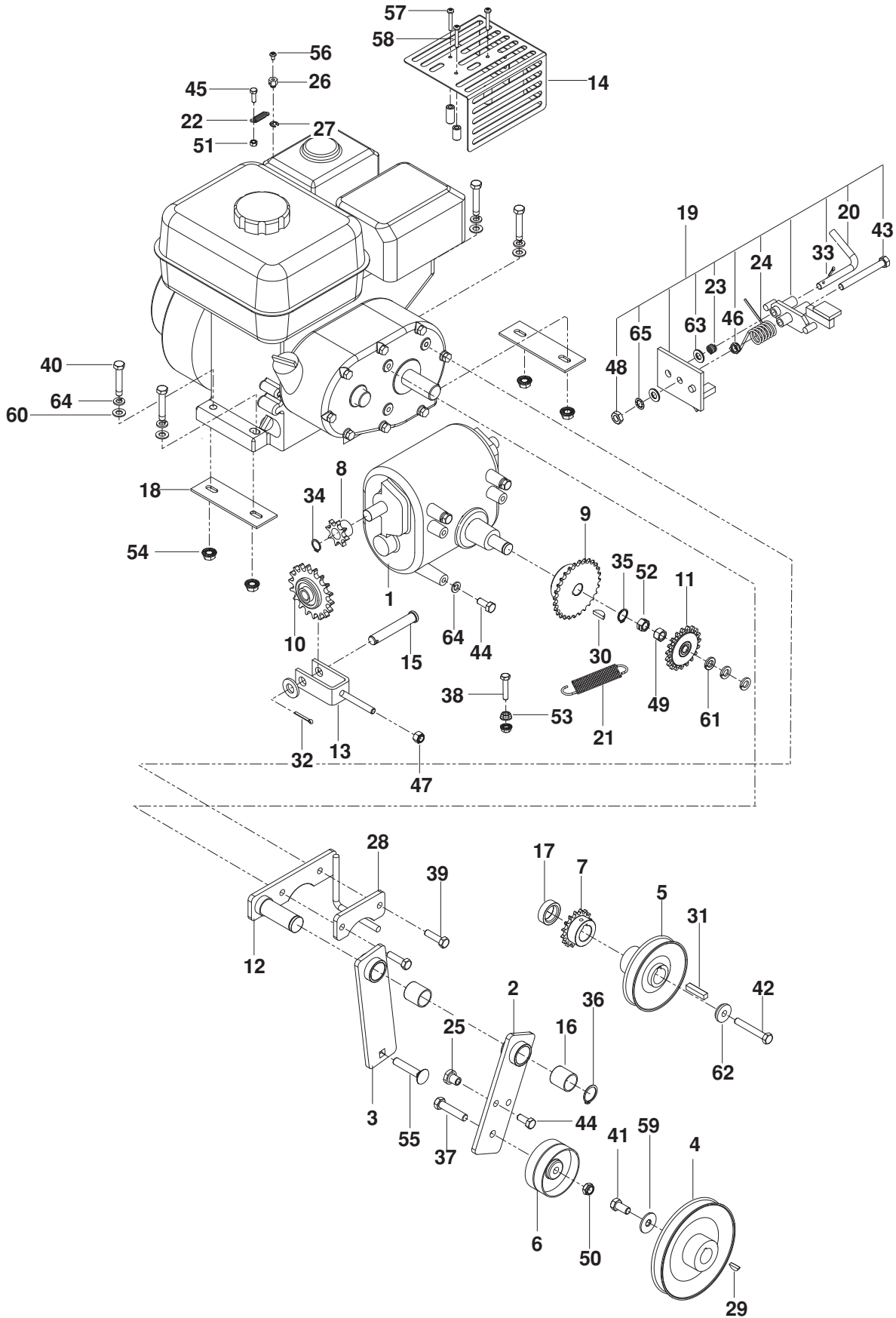
FRAME



FRAME

ITEM	PART NO.	QTY.	DESCRIPTION	ITEM	PART NO.	QTY.	DESCRIPTION
1..	539 114010.....	1	... CHASSIS ORG	9..	539 990563.....	4	... HCS $\frac{3}{8}$ -16 x 1
2..	539 114007.....	1	... BRACKET, END ORG	10..	539 990362... 17	...	SCREW $\frac{1}{4}$ -20 x $\frac{5}{8}$ SELF TAP
3..	539 114003.....	1	... COVER, TOP ORG	11..	539 112861.....	2	... PLATE, NUT BLK
4..	539 133078.....	1	... COVER, SHIFT ORG	12..	539 976979.....	4	... NUT $\frac{3}{8}$ -16 HEX NYLOC
5..	539 114006.....	1	... BELLY PAN ORG	13..	505 155501.....	1	... SWITCH, TOGGLE
6..	539 112836.....	1	... WEIGHT, FRONT BLK		NOT SHOWN		
7..	539 114005.....	1	... SHIELD, PULLEY		539 133065	1	... WIRING
8..	539 200684.....	8	... RIVET $\frac{3}{16}$ STAVEX				

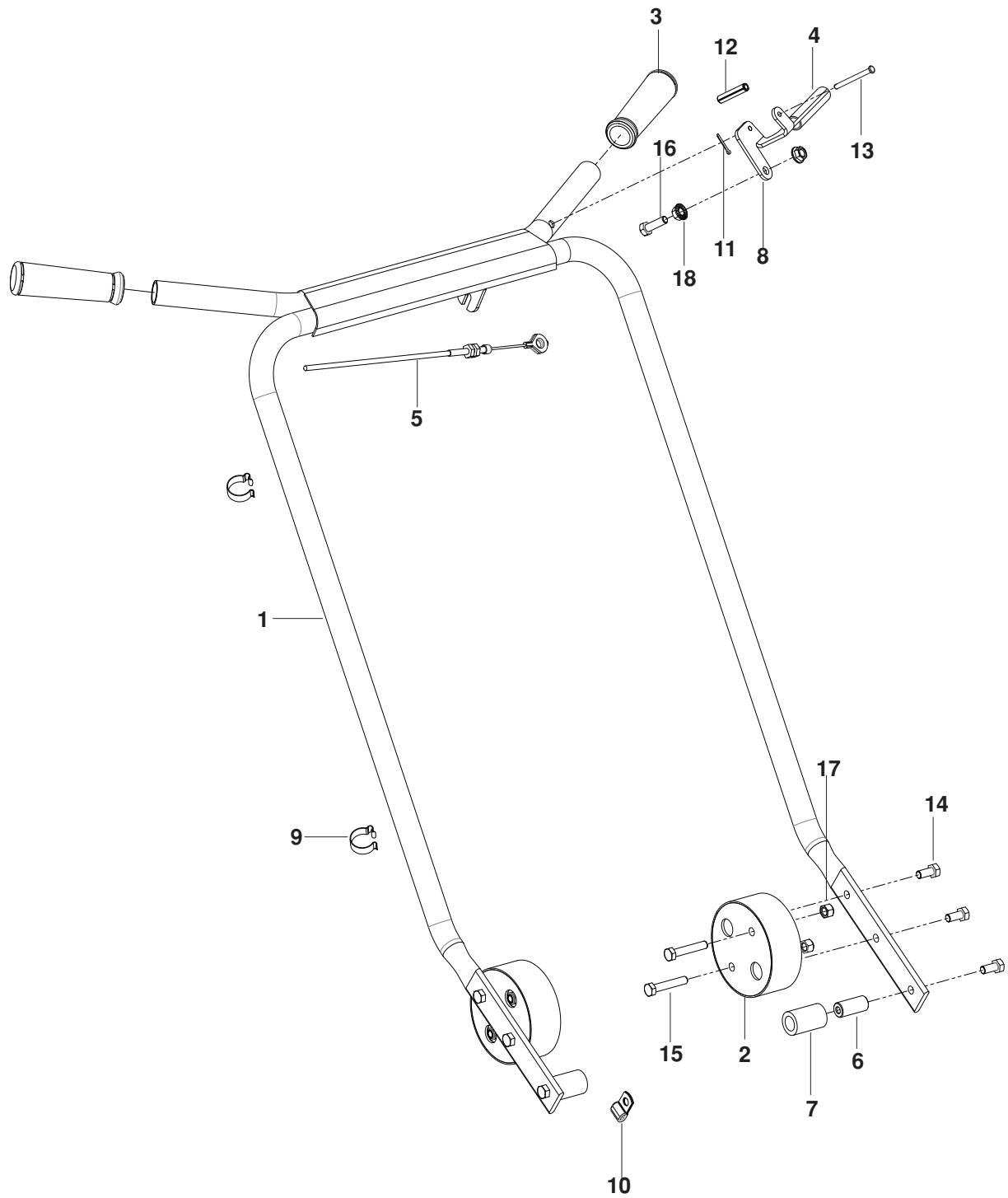
DRIVE



DRIVE

ITEM	PART NO.	QTY.	DESCRIPTION	ITEM	PART NO.	QTY.	DESCRIPTION
1..	539 112854.....	1	TRANSMISSION, 4 SPEED	37..	539 990730.....	1	HCS 3/8-18 x 1 3/4
2..	539 112856.....	1	ARM, IDLER, BELT	38..	539 100266.....	1	HCS 1/4-20 x 1 1/4
3..	539 112857.....	1	ARM, IDLER, CHAIN	39..	539 100567.....	2	HCS M8-1.25 x 30 GR 8.8
4..	539 112463.....	1	PULLEY, 5.25 A	40..	539 990669.....	4	HCS 5/16-18 x 1 3/4
5..	539 112464.....	1	PULLEY, 3.75 A	41..	539 977748.....	1	HCS 3/8-24 x 3/4
6..	539 000343.....	1	PULLEY, IDLER	42..	539 112859.....	1	HCS M8-1.25 x 55 GR 8.8
7..	539 030440.....	1	SPROCKET, ENGINE	43..	539 108367.....	1	HCS 1/2-13 x 4 1/2
8..	539 030456.....	1	SPROCKET #40 CHAIN	44..	539 976934.....	5	HCS 5/16-18 x 3/4
9..	539 030429.....	1	SPROCKET	45..	539 108520.....	1	HCS M5-0.8 x 16 GR 8.8
10..	539 030430.....	1	SPROCKET	46..	539 108010.....	1	NUT 1/2-13 JAM NYLOC GR2
11..	539 112833.....	1	SPROCKET, 35 PITCH	47..	539 990717.....	1	NUT 5/16-18 NYLOC
12..	539 112855.....	1	PIVOT, IDLER BLK	48..	539 108784.....	1	NUT 1/2-13 HEAVY JAM
13..	539 003133.....	1	CHAIN TENSIONER, BLK	49..	539 976979.....	1	NUT 3/8-16 NYLOC
14..	539 114031.....	1	SHIELD, HEAT	50..	539 200282.....	1	NUT 3/8-16 HAM NYLOC
15..	539 109216.....	1	PIN, CLEVIS 1/2 x 3	51..	539 109154.....	1	NUT 5mm-8
16..	539 108619.....	2	BUSHING	52..	539 990546.....	1	NUT 3/8-16 CNTRLK
17..	539 112825.....	1	SPACER, PTO SHAFT	53..	539 108735.....	2	NUT 1/4-20 FLANGE LK
18..	539 005193.....	2	PLATE, ENGINE	54..	539 112899.....	4	NUT 5/16-18 FLANGE NYLOC
19..	539 030312.....	1	BRAKE ASSY	55..	539 100145.....	1	RHSNB 3/8-16 x 2
20..	539 001425.....	1	HANDLE, BRAKE	56..	539 108583.....	1	SCREW #8-32 x 1/4
21..	539 010195.....	1	SPRING	57..	539 114034.....	2	SCREW, M5-0.8 x 40 PAN HD
22..	539 030445.....	1	SPRING, THROTTLE	58..	539 114038.....	1	SCREW, M5-0.8 x 35 PAN HD
23..	539 005153.....	1	SPRING, LOAD	59..	539 112483.....	1	WASHER 3/8 SPRING
24..	539 052861.....	1	SPRING, TORSION	60..	539 990188.....	4	WASHER 5/16 SAE
25..	539 113455.....	1	ANCHOR, SPRING	61..	539 990118.....	3	WASHER 3/8 SPLT LOCK
26..	539 030449.....	1	CLAMP, THROTTLE CABLE	62..	539 112826.....	1	WASHER, STEPPED
27..	539 030451.....	1	CLIP, E-RING	63..	539 990250.....	1	WASHER 1/2 SAE
28..	539 113180.....	1	KEEPER, CHAIN	64..	539 990187.....	8	WASHER 5/16 SLW
29..	539 910008.....	1	KEY WOODRUFF #6	65..	539 990509.....	1	WASHER 1/2 INT LOCK
30..	539 910211.....	1	KEY, WOODRUFF #9	NOT SHOWN			
31..	539 109159.....	1	KEY 7mm SQ x 33mm	539 030439	1	V-BELT	
32..	539 109246.....	1	PIN 1/8 x 1 COTTER	539 030443	1	CHAIN, TRANSMISSION #35	
33..	539 990365.....	1	PIN 1/8" x 3/4" COTTER	539 112875	1	CHAIN, #40	
34..	539 109984.....	1	RING 9/16 RETAINING				
35..	539 101971.....	1	RING, RETAINING				
36..	539 101151.....	1	RING, RETAINING				

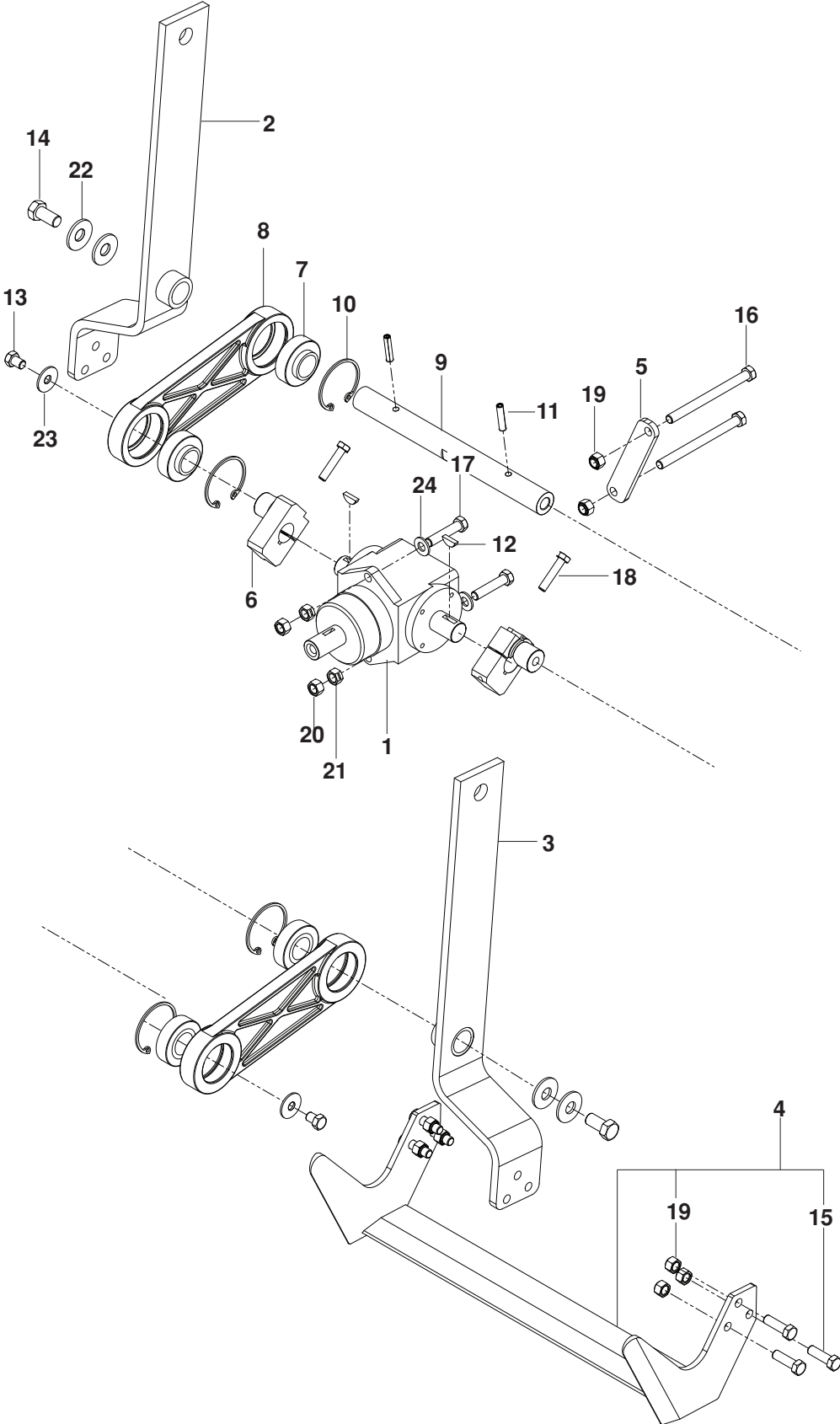
HANDLE



HANDLE

ITEM	PART NO.	QTY.	DESCRIPTION	ITEM	PART NO.	QTY.	DESCRIPTION
1..	539 114013.....	1	HANDLE GRY	10..	539 109867.....	1	TUBE CLAMP, DOUBLE
2..	539 030452.....	2	MOUNT, SHEAR LOAD	11..	539 990037.....	1	PIN $\frac{3}{32}$ x $\frac{3}{4}$ COTTER
3..	539 000033.....	2	GRIP, HANDLE	12..	539 113222.....	1	PIN $\frac{5}{16}$ DIA x $1\frac{1}{2}$ ROLL
4..	539 101050.....	1	GRIP, VINYL	13..	539 113223.....	1	PIN, CLEVIS
5..	539 113221.....	1	CABLE, PULL	14..	539 108519.....	6	HCS M8-1.25 x 22, GR 8.8
6..	539 113454.....	2	STAND OFF	15..	539 990669.....	4	HCS $\frac{5}{16}$ -18 x $1\frac{3}{4}$
7..	539 030468.....	2	BUSHING	16..	539 990209.....	1	HCS $\frac{5}{16}$ -18 x 1
8..	539 114020.....	1	LEVER, THROTTLE, ORG	17..	539 990717.....	4	NUT $\frac{5}{16}$ -18 HEX NYLOC
9..	539 112870.....	2	CLIP, CABLE	18..	539 990585.....	2	NUT $\frac{5}{16}$ -18 WHIZLK

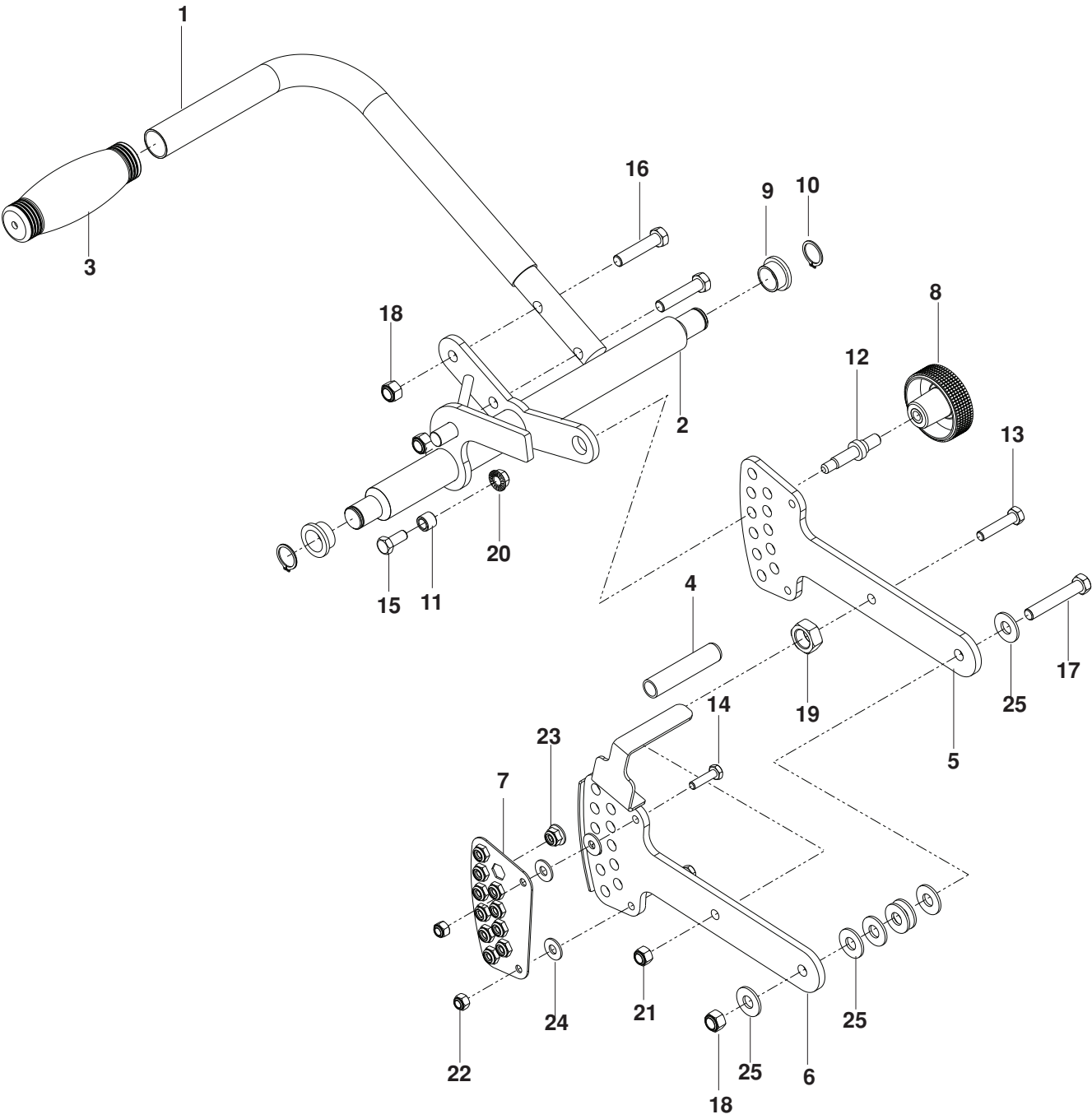
BLADE DRIVE



BLADE DRIVE

ITEM	PART NO.	QTY.	DESCRIPTION	ITEM	PART NO.	QTY.	DESCRIPTION
1..	539 030455.....	1	GEAR BOX	13..	539 106776.....	2	HCS $\frac{3}{8}$ -16 x $\frac{1}{2}$
2..	539 112873.....	1	BLADE ARM, RT BLK	14..	539 990646.....	2	HCS $\frac{1}{2}$ -13 x 1
3..	539 112874.....	1	BLADE ARM, LT BLK	15..	539 130628.....	6	HCS $\frac{3}{8}$ -16 x $1\frac{1}{4}$ GR 8
4..	539 113449.....	1	BLADE KIT, 18"	16..	539 990591.....	2	HCS $\frac{3}{8}$ -16 x $4\frac{1}{2}$
5..	539 112850.....	1	STRAP, T BOX BLK	17..	539 977670.....	2	HCS $\frac{3}{8}$ -24 x $1\frac{3}{4}$ GR 8
6..	539 112872.....	2	ECCENTRIC	18..	539 976935.....	2	HCS $\frac{5}{16}$ -18 x $1\frac{1}{2}$
7..	539 115279.....	4	BEARING	19..	539 976979.....	8	NUT $\frac{3}{8}$ -16 NYLOC
8..	539 112465.....	2	LINK, CONNECTING	20..	539 990155.....	2	NUT $\frac{3}{8}$ -24 GR2
9..	539 112471.....	1	SHAFT, BLADE ARM	21..	539 990289.....	2	NUT $\frac{3}{8}$ -24 CTR LK
10..	539 112482.....	4	RING 52mm SNAP	22..	539 112484.....	4	WASHER $\frac{1}{2}$ SPRING
11..	539 112879.....	2	PIN $\frac{1}{4}$ x $1\frac{1}{4}$ SPIRAL	23..	539 112483.....	2	WASHER $\frac{3}{8}$ SPRING
12..	539 910211.....	2	KEY, WOODRUFF #9	24..	539 990122.....	2	WASHER $\frac{3}{8}$ SAE

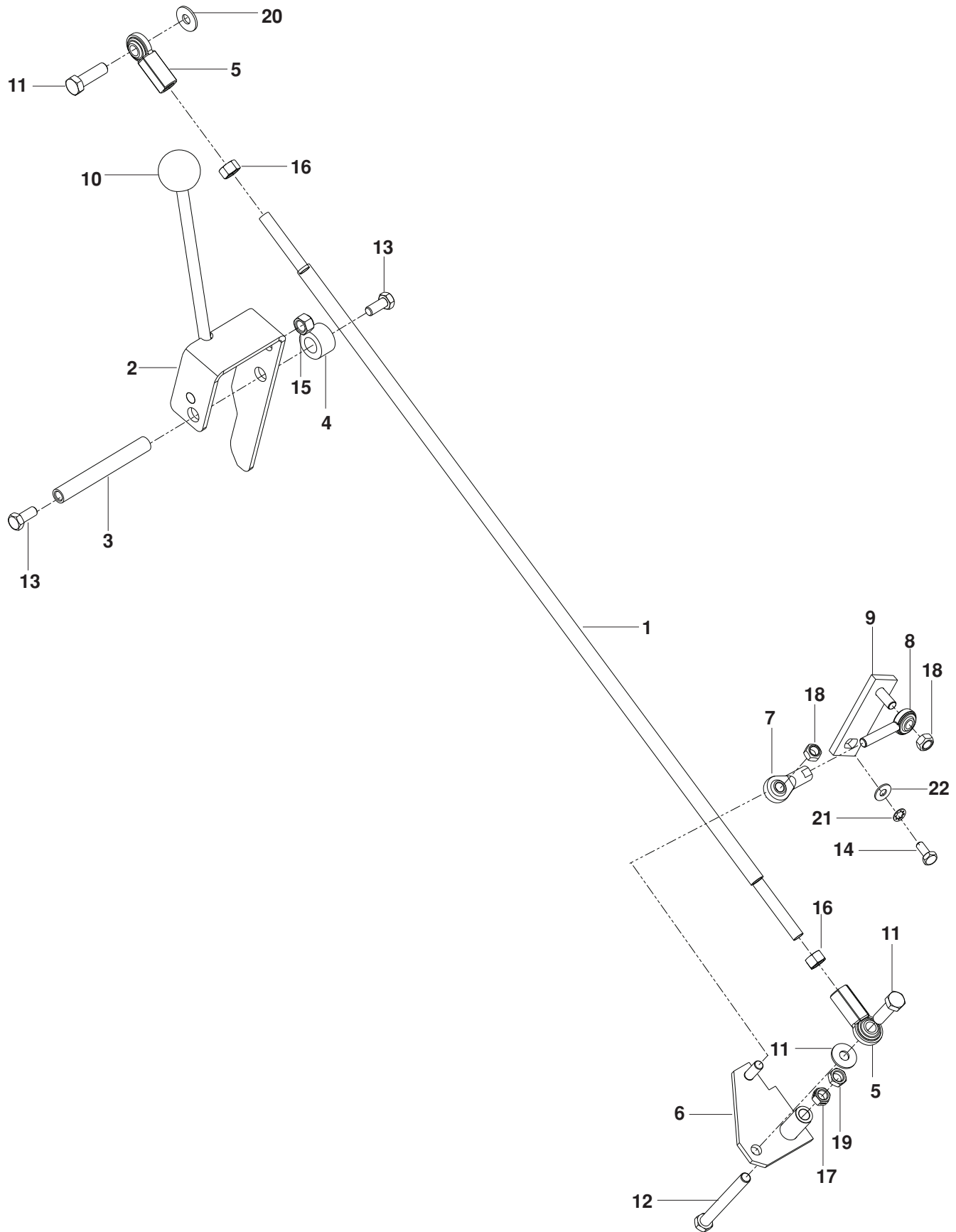
DEPTH CONTROL



DEPTH CONTROL

ITEM	PART NO.	QTY.	DESCRIPTION	ITEM	PART NO.	QTY.	DESCRIPTION
1..	539 114016.....	1	HANDLE GRY	14..	539 990548.....	2	HCS 1/4-20 x 1
2..	505 162703.....	1	SHAFT	15..	539 976934.....	1	HCS 5/16-18 x 3/4
3..	539 976488.....	1	GRIP, HANDLE	16..	539 990730.....	2	HCS 3/8-16 x 1 3/4
4..	539 101050.....	1	GRIP, VINYL	17..	539 990629.....	1	HCS 3/8-16 x 2 1/4
5..	539 114017.....	1	ADJUSTER GRY	18..	539 976979.....	3	NUT 3/8-16 NYLOC
6..	539 114018.....	1	ADJUSTER, RT GRY	19..	539 976980.....	1	NUT 5/8-18
7..	539 114019.....	1	PLATE, ADJUSTER NUT GRY	20..	539 990585.....	1	NUT 5/16 WHIZLK
8..	539 113452.....	1	KNOB	21..	539 990717.....	1	NUT 5/16 NYLOC
9..	539 112895.....	2	BEARING, FLANGE	22..	539 976978.....	2	NUT 1/4-20 NYLOC
10..	539 112496.....	2	RING 3/4 SNAP	23..	539 112899.....	11	NUT 5/16-18 FLANGE NYLOC
11..	539 102827.....	1	SPACER, PULLEY	24..	539 990598.....	2	WASHER 1/4
12..	516 034901.....	1	ADJUSTER, STUD	25..	539 990517.....	7	WASHER 3/8
13..	539 976935.....	1	HCS 5/16-18 x 1 1/2				

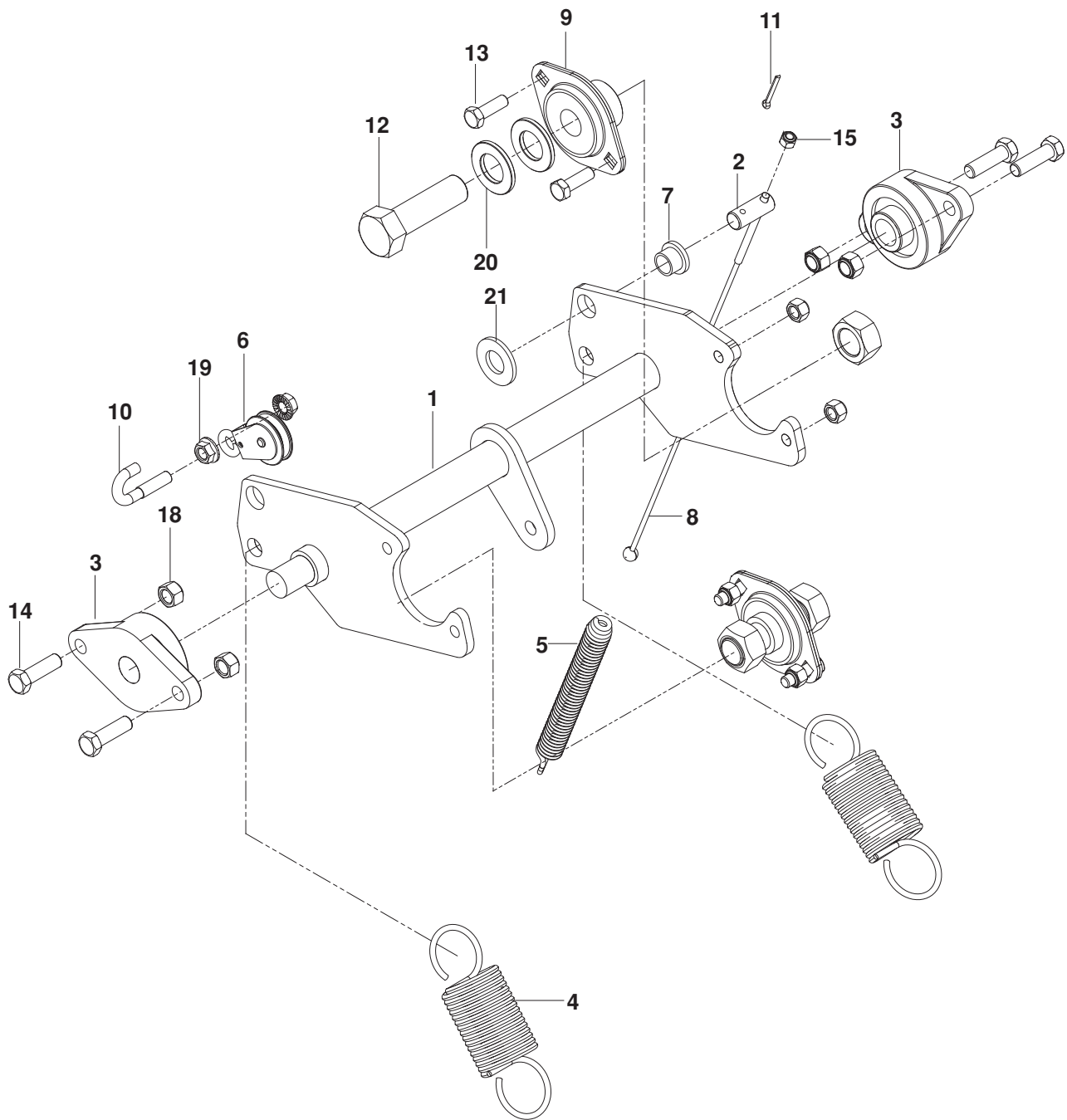
GEARS



GEARS

ITEM	PART NO.	QTY.	DESCRIPTION	ITEM	PART NO.	QTY.	DESCRIPTION
1..	539 112852.....	1	... ROD, SHIFT BLK	12..	539 102754.....	1	...HCS $\frac{3}{8}$ -16 x $3\frac{1}{2}$ GR 8
2..	539 114009.....	1	... LEVER, SHIFT ORG	13..	539 976934.....	2	... HCS $\frac{5}{16}$ -18 x $\frac{3}{4}$
3..	539 112490.....	1	... SHAFT, SHIFT PIVOT	14..	539 990100.....	1	...HCS $\frac{1}{4}$ -28 x $\frac{5}{8}$
4..	539 100526.....	1	... SPACER	15..	539 976979.....	1	... NUT $\frac{3}{8}$ -16 NYLOC
5..	539 030425.....	2	... ROD END $\frac{3}{8}$ -24 FEMALE	16..	539 990155.....	2	... NUT $\frac{3}{8}$ -24 GR2
6..	539 003136.....	1	... BELL CRANK, SHIFT	17..	539 990546.....	1	... NUT $\frac{3}{8}$ -16 CNTRLK
7..	539 102590.....	1	... BALL END, RT	18..	539 109758.....	2	... NUT $\frac{5}{16}$ -24 TOP LK GRC
8..	539 030423.....	1	... ROD END $\frac{5}{16}$ MALE	19..	539 109332.....	1	... NUT $\frac{3}{8}$ -16 JAM
9..	539 003135.....	1	... ARM, SHIFT	20..	539 990692.....	2	... WASHER $\frac{5}{16}$
10..	539 112877.....	1	... KNOB, SHIFT	21..	539 990053.....	1	... WASHER $\frac{1}{4}$ INT TOOTH LK
11..	539 976941.....	2	...HCS $\frac{3}{8}$ -16 x $1\frac{1}{4}$	22..	539 990055.....	1	... WASHER $\frac{1}{4}$ SAE

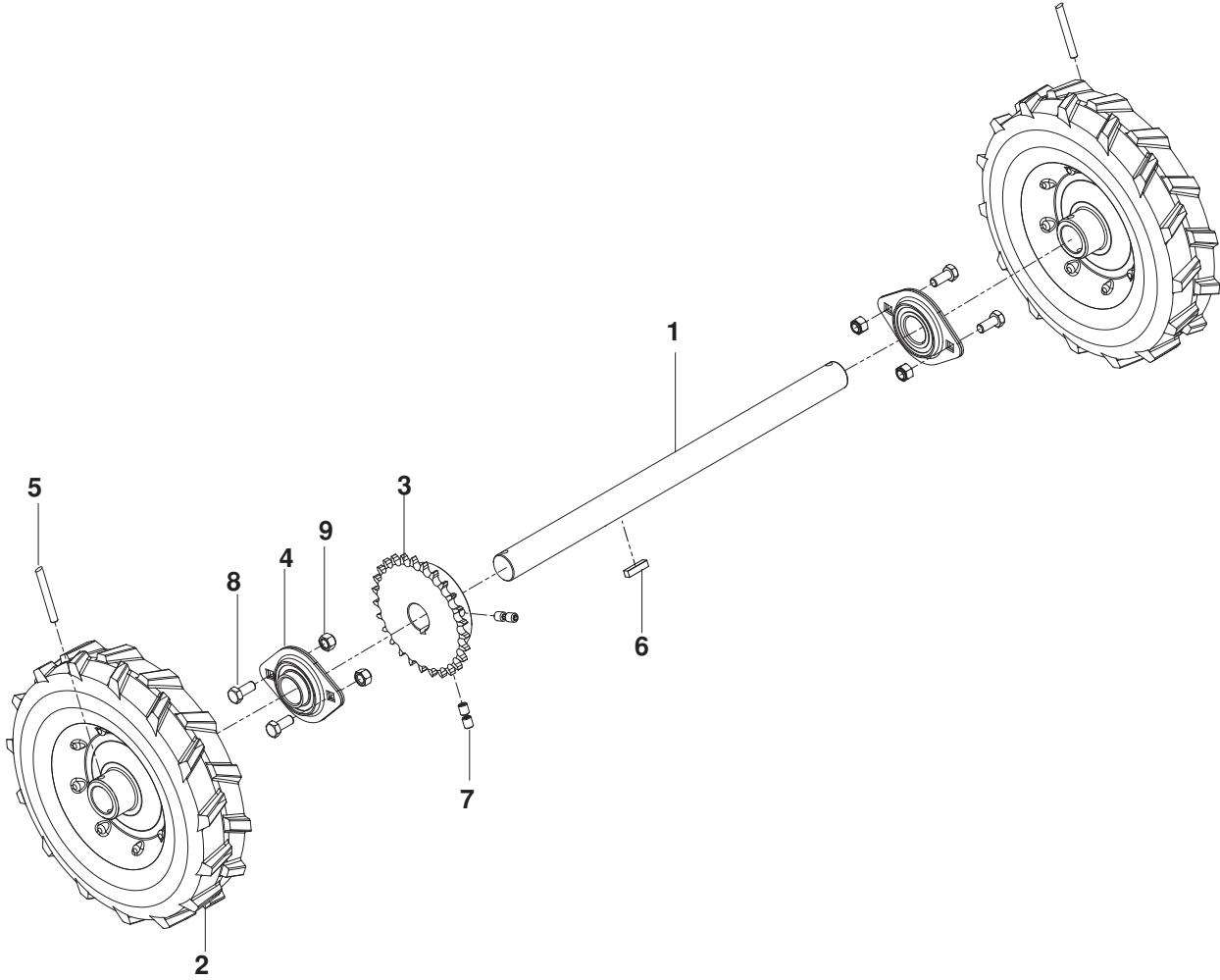
TRUNNION



TRUNNION

ITEM	PART NO.	QTY.	DESCRIPTION	ITEM	PART NO.	QTY.	DESCRIPTION
1..	539 112834.....	1	... SHAFT, TRUNNION BLK	12..	539 108438.....	2	... HCS 3/4-16 x 2 1/2
2..	539 130624.....	1	... PIN, CABLE PIVOT	13..	539 990209.....	4	... HCS 5/16-18 x 1
3..	539 112478.....	2	... BEARING 3/4 2 BOLT	14..	539 976941.....	4	... HCS 3/8-16 x 1 1/4
4..	539 113185.....	2	... SPRING, EXTENSION	15..	539 976978.....	1	... NUT 1/4-20 NYLOC
5..	539 113377.....	1	... SPRING, EXTENSION	16..	539 110800.....	2	... NUT 3/4-16 TOP LK
6..	539 030464.....	1	... BRACKET, PULLEY	17..	539 990717.....	4	... NUT 5/16-18 NYLOC
7..	539 100032.....	1	... BUSHING, FLANGED	18..	539 976979.....	4	... NUT 3/8-16 NYLOC
8..	539 130625.....	1	... CABLE, PULL	19..	539 990585.....	2	... NUT 5/16-18 WHIZLK
9..	539 000316.....	4	... FLANGE 3/4	20..	539 109333.....	4	... WASHER 3/4 SAE
10..	539 112896.....	1	... J-BOLT	21..	539 976982.....	1	... WASHER 5/8 SAE
11..	539 109246.....	1	... PIN 1/8 x 1 COTTER				

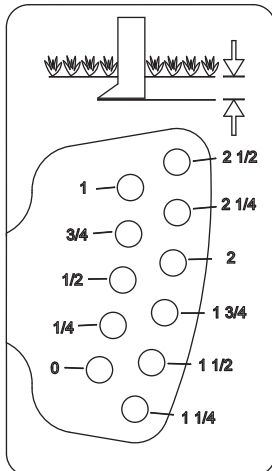
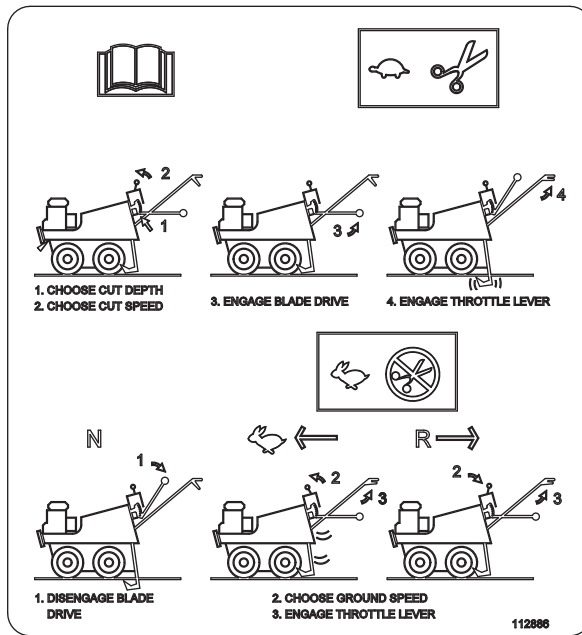
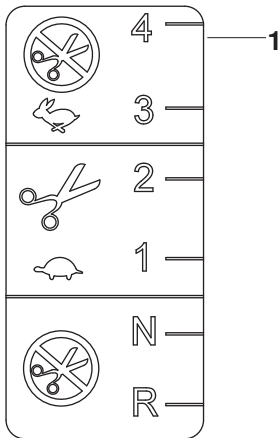
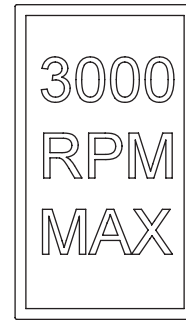
AXLE



AXLE

ITEM	PART NO.	QTY.	DESCRIPTION	ITEM	PART NO.	QTY.	DESCRIPTION
1..	539 112823.....2	...	AXLE	6..	539 105308.....2	...	KEY ¼ SQ x 1
2..	540 030426.....4	...	WHEEL 2.75 x 10 x 1	7..	539 976956.....8	...	KPSS 5/16-18 x 3/8
3..	539 000303.....2	...	SPROCKET	8..	539 976934.....8	...	HCS 5/16-18 x 3/4
4..	539 000318.....8	...	BEARING FLANGE	9..	539 990717.....8	...	NUT 5/16-18 NYLOC
5..	539 113453.....4	...	PIN ¼ x 1½ SPIRAL				

DECALS



DECALS

ITEM	PART NO.	QTY.	DESCRIPTION	ITEM	PART NO.	QTY.	DESCRIPTION
1..	539 112881.....	1 ...	DECAL, SHIFT	6..	539 112886.....	1 ...	DECAL, OPERATION
2..	539 101881.....	1 ...	DECAL, PROP 65	7..	532 428676.....	1 ...	DECAL, CROWN
3..	540 200025.....	1 ...	DECAL, 3000 MAX RPM	8..	539 429196.....	1 ...	DECAL, HUSQVARNA
4..	540 200076.....	1 ...	DECAL, DANGER FOOT	9..	539 108447.....	1 ...	DECAL, CE
5..	539 112888.....	1 ...	DECAL, DEPTH OF CUT	10..	539 200830.....	1 ...	DECAL, ON / OFF

