

**OWNER'S MANUAL**  
**Model Number G26LRV**  
**Product No. 960 73 00-27**  
**26 Inch Mower**  
**Grass Catcher**

- **Assembly**
- **Operation**
- **Customer Responsibilities**
- **Repair Parts**



# SAFETY RULES



**DANGER:** THIS CUTTING MACHINE IS CAPABLE OF AMPUTATING HANDS AND FEET AND THROWING OBJECTS. FAILURE TO OBSERVE THE FOLLOWING SAFETY INSTRUCTIONS COULD RESULT IN SERIOUS INJURY OR DEATH.



**WARNING:** In order to prevent accidental starting when setting up, transporting, adjusting or making repairs, always disconnect spark plug wire and place wire where it cannot contact spark plug.



**WARNING:** Do not coast down a hill in neutral, you may lose control of the riding mower.



**WARNING:** Engine exhaust, some of its constituents, and certain vehicle components contain or emit chemicals known to the State of California to cause cancer and birth defects or other reproductive harm.



**WARNING:** This unit is not intended for towing, or use of wheel weights. Only use attachments designed specifically for this riding mower.



**WARNING:** Battery posts, terminals and related accessories contain lead and lead compounds, chemicals known to the State of California to cause cancer and birth defects or other reproductive harm. Wash hands after handling.

## I. GENERAL OPERATION

- Read, understand, and follow all instructions on the machine and in the manual before starting.
- Do not put hands or feet near rotating parts or under the machine. Keep clear of the discharge opening at all times.
- Only allow responsible adults, who are familiar with the instructions, to operate the machine.
- Clear the area of objects such as rocks, toys, wire, etc. which could be picked up and thrown by the blade.
- Be sure the area is clear of bystanders before operating. Stop machine if anyone enters the area.
- Never carry passengers.
- Do not mow in reverse unless absolutely necessary. Always look down and behind before and while backing.
- Never direct discharged material toward anyone. Avoid discharging material against a wall or obstruction. Material may ricochet back toward the operator. Stop the blade when crossing gravel surfaces.
- Do not operate machine without the entire grass catcher, discharge chute, or other safety devices in place and working.

- Slow down before turning.
- Never leave a running machine unattended. Always turn off blade, set parking brake, stop engine, and remove keys before dismounting.
- Disengage blade when not mowing. Shut off engine and wait for all parts to come to a complete stop before cleaning the machine, removing the grass catcher, or unclogging the discharge chute.
- Operate machine only in daylight or good artificial light.
- Do not operate the machine while under the influence of alcohol or drugs.
- Watch for traffic when operating near or crossing roadways.
- Use extra care when loading or unloading the machine into a trailer or truck.
- Always wear eye protection when operating machine.
- Data indicates that operators age 60 years and above are involved in a large percentage of riding mower-related injuries. These operators should evaluate their ability to operate the riding mower safely enough to protect themselves and others from serious injury.
- Keep machine free of grass, leaves or other debris build-up which can touch hot exhaust / engine parts and burn. Do not allow the mower deck to plow leaves or other debris which can cause build-up to occur. Clean any oil or fuel spillage before operating or storing the machine. Allow machine to cool before storage.

## II. SLOPE OPERATION

Slopes are a major factor related to loss of control and tip-over accidents, which can result in severe injury or death. Operation on all slopes requires extra caution. If you cannot back up the slope or if you feel uneasy on it, do not mow it.

- Mow up and down slopes (15° Max), not across.
- Watch for holes, ruts, bumps, rocks, or other hidden objects. Uneven terrain could overturn the machine. Tall grass can hide obstacles.
- Choose a low ground speed so that you will not have to stop or shift while on the slope.
- Do not mow on wet grass. Tires may lose traction.
- Always keep the machine in gear when going down slopes. Do not shift to neutral and coast downhill.
- If machine stops while going uphill, disengage blade, shift into reverse, and back down slowly.
- Avoid starting, stopping, or turning on a slope. If the tires lose traction, disengage the blade and proceed slowly straight down the slope.
- Keep all movement on the slopes slow and gradual. Do not make sudden changes in speed or direction, which could cause the machine to roll over.
- Use extra care while operating machine with grass catchers or other attachments; they can affect the stability of the machine.
- Do not use on steep slopes.
- Do not try to stabilize the machine by putting your foot on the ground.



- Do not mow near drop-offs, ditches, or embankments. The machine could suddenly roll over if a wheel is over the edge or if the edge caves in.

### III. CHILDREN

Tragic accidents can occur if the operator is not alert to the presence of children. Children are often attracted to the machine and the mowing activity. Never assume that children will remain where you last saw them.

- Keep children out of the mowing area and in the watchful care of a responsible adult other than the operator.
- Be alert and turn machine off if a child enters the area.
- Before and while backing, look behind and down for small children.
- Never carry children, even with the blade shut off. They may fall off and be seriously injured or interfere with safe machine operation. Children who have been given rides in the past may suddenly appear in the mowing area for another ride and be run over or backed over by the machine.
- Never allow children to operate the machine.
- Use extra care when approaching blind corners, shrubs, trees, or other objects that may block your view of a child.

### IV. SERVICE

#### SAFE HANDLING OF GASOLINE

To avoid personal injury or property damage, use extreme care in handling gasoline. Gasoline is extremely flammable and the vapors are explosive.

- Extinguish all cigarettes, cigars, pipes, and other sources of ignition.
- Use only approved gasoline container.
- Never remove gas cap or add fuel with the engine running. Allow engine to cool before refueling.
- Never fuel the machine indoors.
- Never store the machine or fuel container where there is an open flame, spark, or pilot light such as on a water heater or other appliances.

- Never fill containers inside a vehicle or on a truck or trailer bed with plastic liner. Always place containers on the ground away from your vehicle when filling.
- Remove gas-powered equipment from the truck or trailer and refuel it on the ground. If this is not possible, then refuel such equipment with a portable container, rather than from a gasoline dispenser nozzle.
- Keep the nozzle in contact with the rim of the fuel tank or container opening at all times until fueling is complete. Do not use a nozzle lock-open device.
- If fuel is spilled on clothing, change clothing immediately.
- Never overfill fuel tank. Replace gas cap and tighten securely.

#### GENERAL SERVICE

- Never operate machine in a closed area.
- Keep all nuts and bolts tight to be sure the equipment is in safe working condition.
- Never tamper with safety devices. Check their proper operation regularly.
- Keep machine free of grass, leaves, or other debris build-up. Clean oil or fuel spillage and remove any fuel-soaked debris. Allow machine to cool before storing.
- If you strike a foreign object, stop and inspect the machine. Repair, if necessary, before restarting.
- Never make any adjustments or repairs with the engine running.
- Check grass catcher components and the discharge chute frequently and replace with manufacturer's recommended parts, when necessary.
- Mower blade is sharp. Wrap the blade or wear gloves, and use extra caution when servicing them.
- Check brake operation frequently. Adjust and service as required.
- Maintain or replace safety and instruction labels, as necessary.

**CONGRATULATIONS** on your purchase of a new Grass Catcher. It has been designed, engineered and manufactured to give you the best possible dependability and performance.

Should you experience any problems you cannot easily remedy, please contact your nearest authorized service center/department. They have competent, well trained technicians and the proper tools to service or repair this unit.

Please read and retain this manual. The instructions will enable you to assemble and maintain your Grass Catcher properly. Always observe the "SAFETY RULES".

## TABLE OF CONTENTS

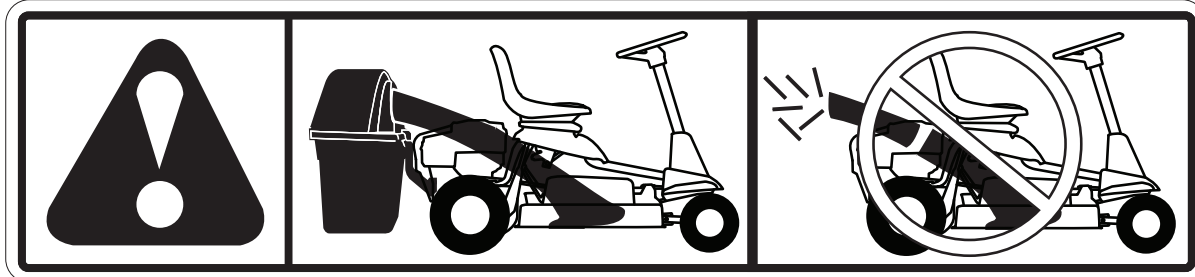
|                    |     |                                |    |
|--------------------|-----|--------------------------------|----|
| SAFETY RULES ..... | 2-3 | CUSTOMER RESPONSIBILITIES..... | 11 |
| ASSEMBLY .....     | 5-9 | STORAGE.....                   | 11 |
| OPERATION .....    | 10  | REPAIR PARTS .....             | 12 |

# KNOW YOUR GRASS CATCHER

READ THIS OWNER'S MANUAL AND SAFETY RULES BEFORE ASSEMBLING OR OPERATING YOUR GRASS CATCHER. Compare the illustrations with the carton contents to familiarize yourself with the parts before starting the assembly. Study the operating instructions and safety precautions thoroughly to insure proper functioning of your Grass Catcher and to prevent injury to yourself and others. Save this manual for future reference.



The operation of any riding mower can result in foreign objects thrown into the eyes, which can result in severe eye damage. Always wear safety glasses or eye shields while operating your riding mower or performing any adjustments or repairs. We recommend a wide vision safety mask over spectacles or standard safety glasses.



## COMPLETE BAGGER MUST BE IN PLACE BEFORE OPERATING MOWER

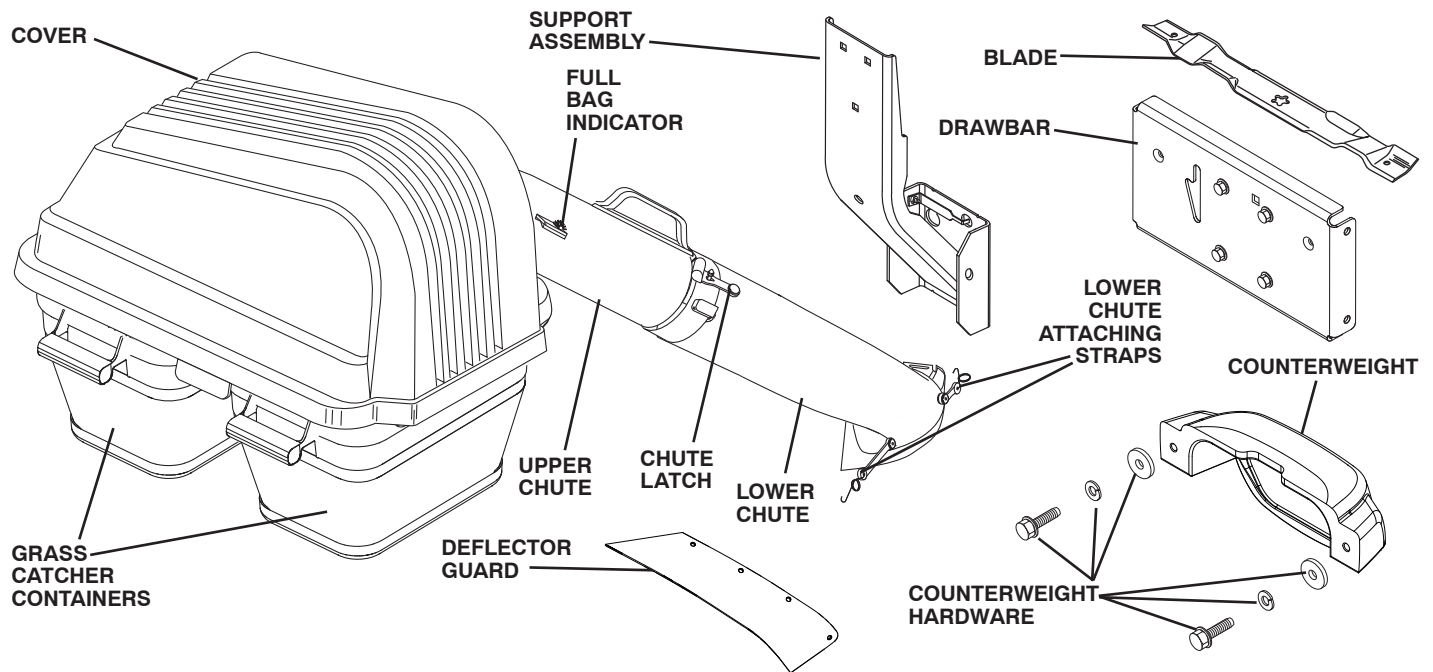
### UNPACKING INSTRUCTIONS

- Remove all parts and packing materials from carton.
- Check carton contents against list. Be sure all parts are there.

### CARTON CONTENTS:

- |                 |                            |                              |
|-----------------|----------------------------|------------------------------|
| (2) Containers  | (1) Support Assembly       | (1) Drawbar                  |
| (1) Upper Chute | (1) Cover Assembly         | (1) Deflector Guard          |
| (1) Lower Chute | (1) Counterweight          | (1) Deflector Guard Hardware |
| (1) Blade       | (1) Counterweight hardware | (1) #7 Drill Bit             |

### PARTS IDENTIFICATION



**NOTE:** When right hand (R.H.) and left hand (L.H.) are mentioned in this manual, it means when you are seated on the riding mower, in the operator's position.



### CAUTION: BEFORE ASSEMBLING GRASS CATCHER TO RIDING MOWER:

- Depress clutch/brake pedal fully and set parking brake.
- Place gearshift/motion control lever in "NEUTRAL" position.
- Place attachment clutch in "DISENGAGED" position.
- Turn ignition key "OFF" and remove key.
- Make sure the blade and all moving parts have completely stopped.
- Disconnect spark plug wire from plug and place where it cannot come in contact with plug.

# ASSEMBLY

## 1 REAR DRAWBAR (See Fig. 1A, 1B)

1. Remove existing drawbar by removing four screws. Insert flat screwdriver to remove bumper from engine plate. Lift up and pull rearward.

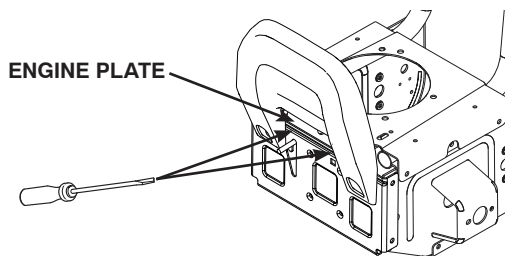
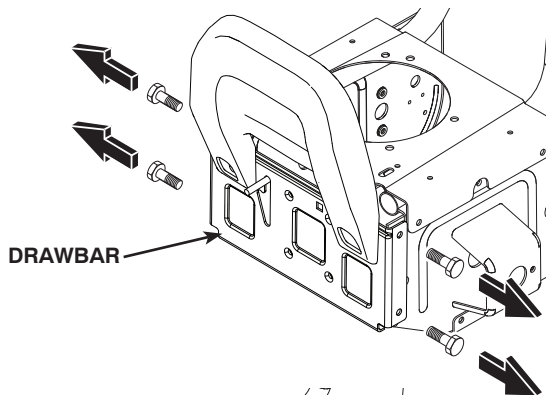


Fig. 1A

2. Install new drawbar by replacing screws removed in step 1.

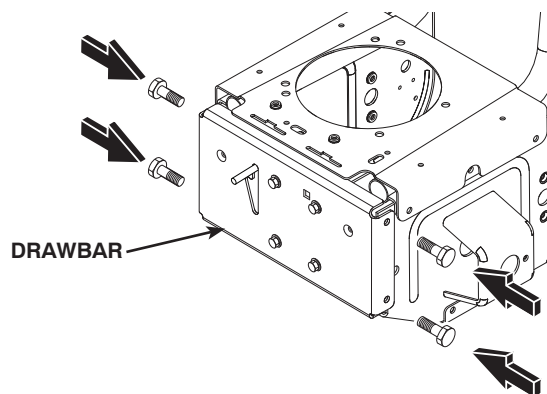
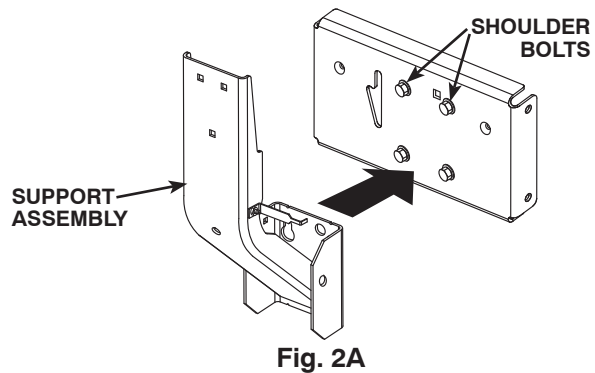


Fig. 1B

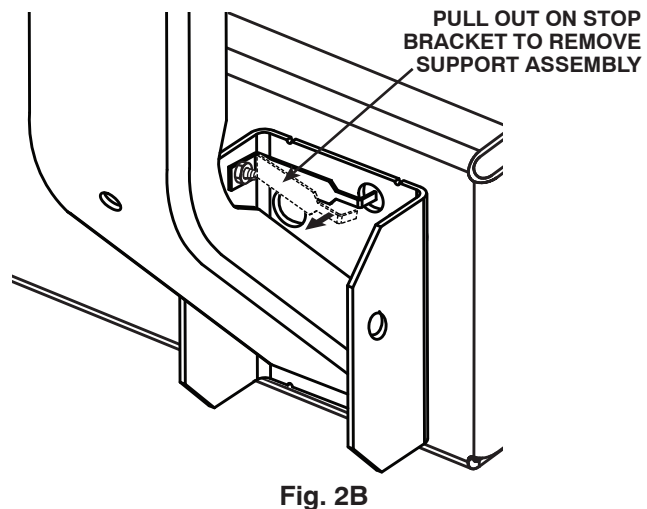
## 2 REAR MOUNTING BRACKET (See Fig. 2A and 2B)

**NOTE:** Your new drawbar already has four (4) shoulder bolts installed. Simply hang the mounting bracket on the bolts.



### TO REMOVE THE SUPPORT ASSEMBLY (See Fig. 2B)

1. Pull outward on the stop bracket enough to allow support assembly to be lifted up and away from drawbar.



### 3 MOUNTING COVER ASSEMBLY TO SUPPORT ASSEMBLY (See Fig. 3)

**NOTE:** For ease of assembly, you may wish to obtain the assistance of another person for mounting cover assembly to riding mower.

1. Lift and rotate cover to align cover bracket with support assembly.
2. Slide cover assembly down onto the support assembly.

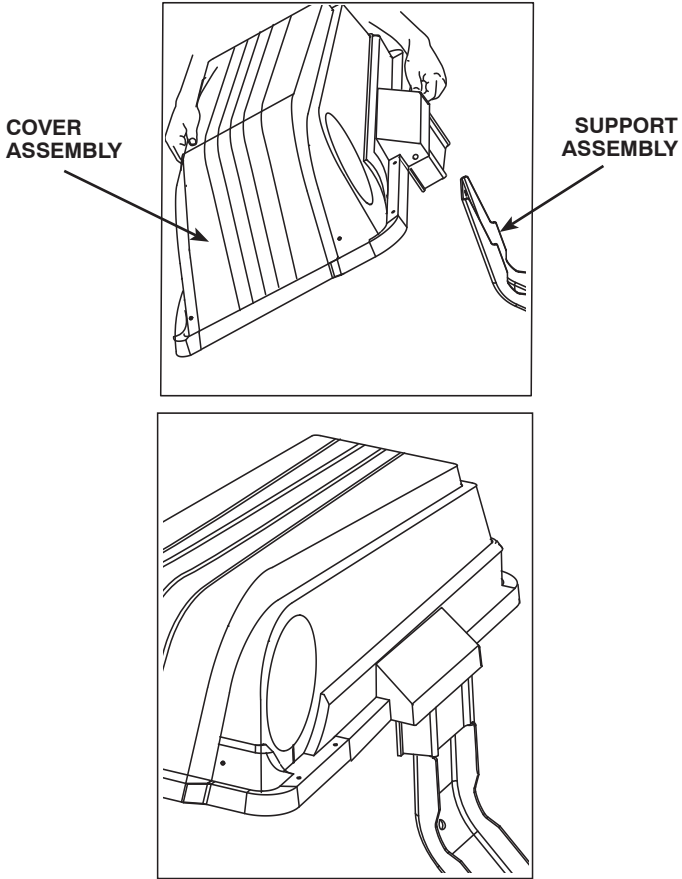


Fig. 3

### 4 CONTAINER MOUNTING (See Fig. 4)

1. Install one container to left side first. Install other container to right side.

**NOTE:** Left edge of right container should always overlap right edge of left container at center support.

2. Close cover and lock latch over center support tube. To lock and release latch, pull back on latch handle.

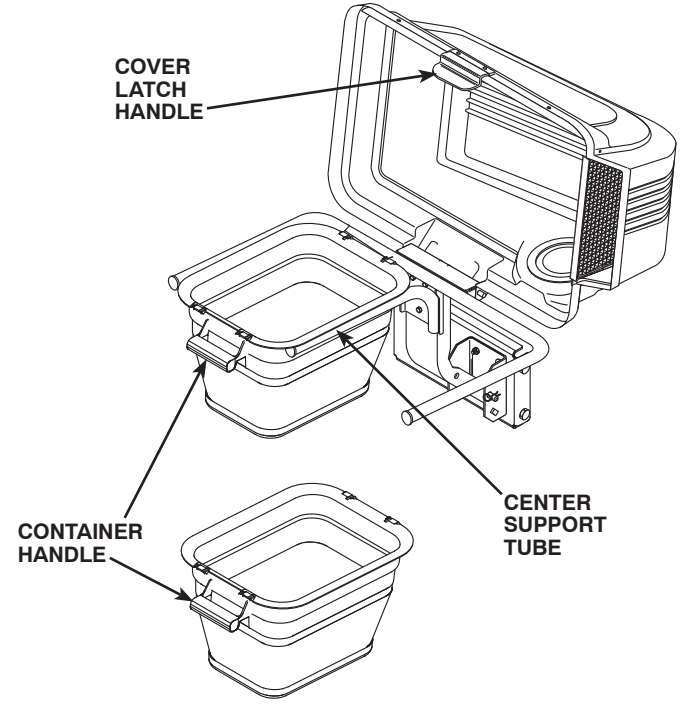


Fig. 4

## 5 INSTALL DEFLECTOR GUARD (See Fig. 5)

1. Using the deflector guard as a template, hold deflector guard on the top of the deflector aligning edge with the holes with bottom of writing and angled end with the rear of the deflector as pictured.
2. Mark locations of (4) holes and drill using supplied #7 drill bit.
3. Insert screws from bottom through deflector and guard, place washer and then acorn nut on top of guard. Tighten with a screw driver and 3/8 wrench.



**CAUTION:** When using mower with out bagging attachment and with the blade supplied with this kit, the deflector guard must be installed.

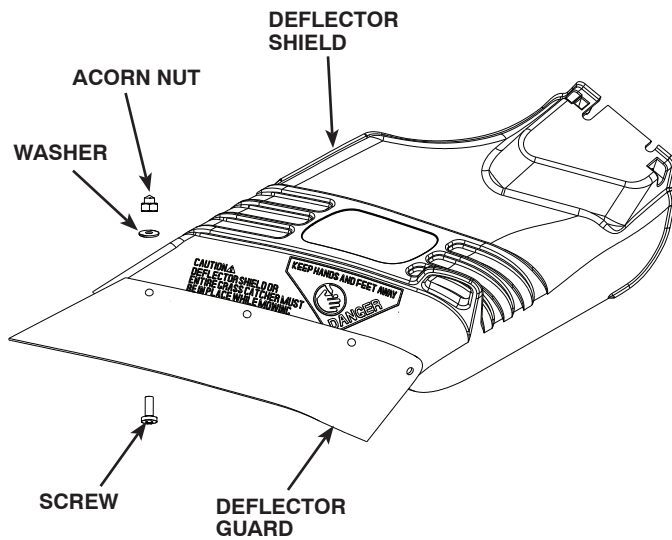


Fig. 5

## 6 LOWER CHUTE (See Fig. 6)

1. Raise and hold deflector and metal shield in upright position.
2. Place slot in lower chute over mounting tab on mower and position lower chute over mower opening as shown.
3. Hook rear latch into flange hole on back of mower.
4. Hook front latch into tab hole on front of mower.



**CAUTION:** Do not remove deflector shield from mower. Raise and hold shield when attaching lower chute and allow it to rest on chute while in operation.

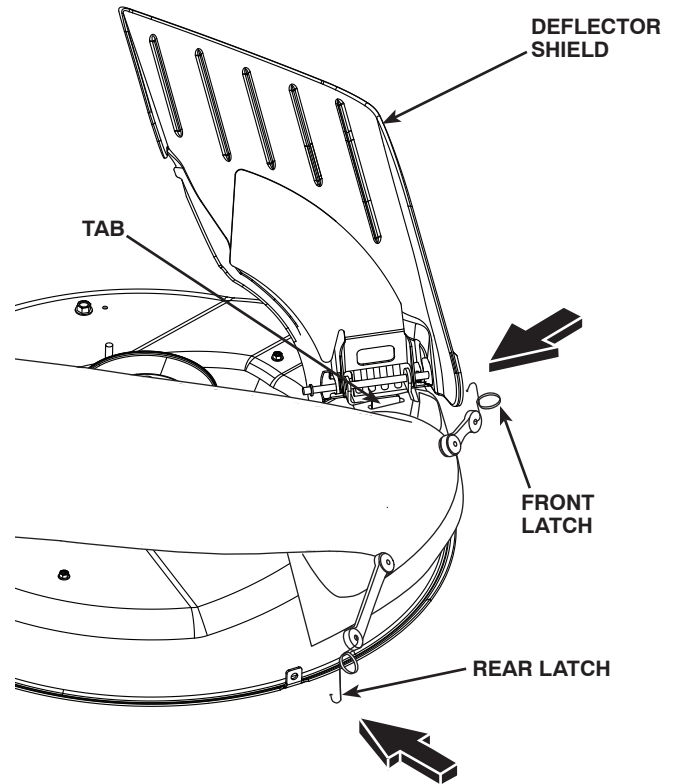


Fig. 6

## 7 UPPER CHUTE (See Fig. 7A and 7B)

1. Lower mower to its lowest cutting position.
2. Assemble upper chute by inserting curved end into hole in back of cover.

**TIP:** Holding upper chute as shown and twisting while installing in cover will help keep the rubber seal in place.

**NOTE:** Handle carefully so as not to damage full bag indicator.

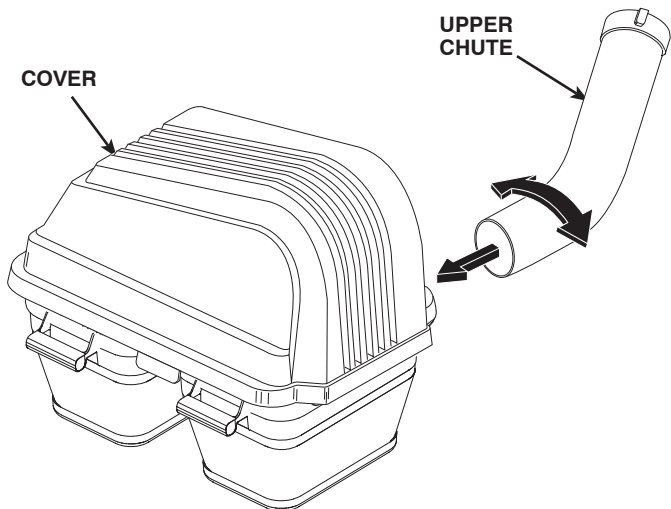


Fig. 7A

3. Push in and turn upper chute until it is in line with lower chute.
4. Align the bosses on lower chute with alignment slots on upper chute and slide together.
5. Secure with rubber latch by hooking hole in latch over latch pin.

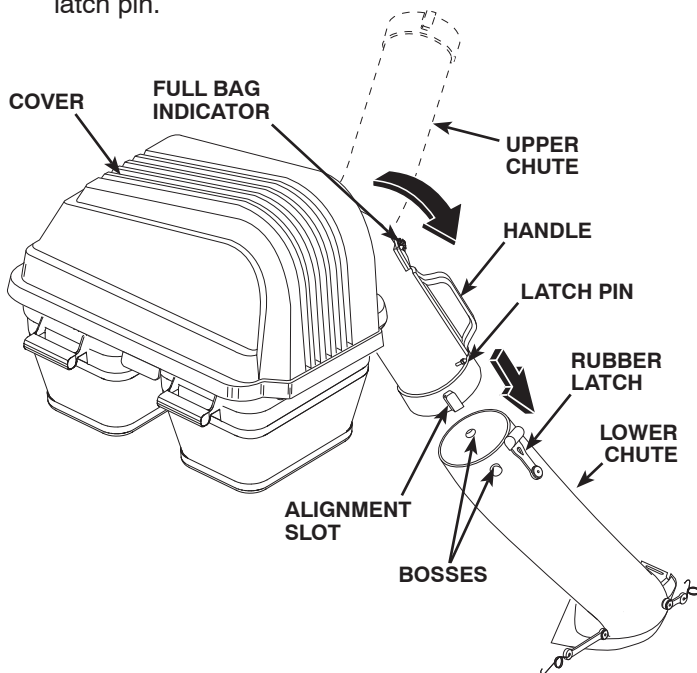


Fig. 7B

## 8 BLADE REMOVAL/REPLACEMENT (See Fig. 8)

1. Raise mower to highest position to allow access to blade.

**NOTE:** Protect your hands with gloves and/or wrap blade with heavy cloth.

2. Remove blade bolt by turning counterclockwise.
3. Install new blade with stamped "GRASS SIDE" facing downward.

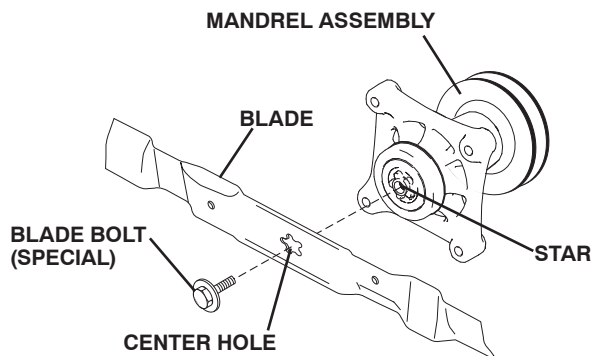


Fig. 8

**IMPORTANT:** To ensure proper assembly, center hole in blade must align with star on mandrel assembly.

4. Install and tighten blade bolt securely (45-55 Ft. Lbs.).

**IMPORTANT:** Special blade bolt is heat treated.



## 9 LEVEL MOWER DECK

Ensure deck is properly leveled for best mower performance. See your riding mower owner's manual for instructions.

## 10 COUNTERWEIGHT (See Fig. 9)

1. Lower mower to lowest position to allow access to front axle.
2. Turn steering wheel all the way to the right, for access to left side of axle
3. With extension and socket, insert bolt, lock washer, and washer through hole in axle.

**NOTE:** Insert hardware from rear of axle.

4. Hold counterweight up to axle and start threading bolt.
5. Repeat steps 2-3 from right hand side.

**IMPORTANT:** Torque bolts until tight.

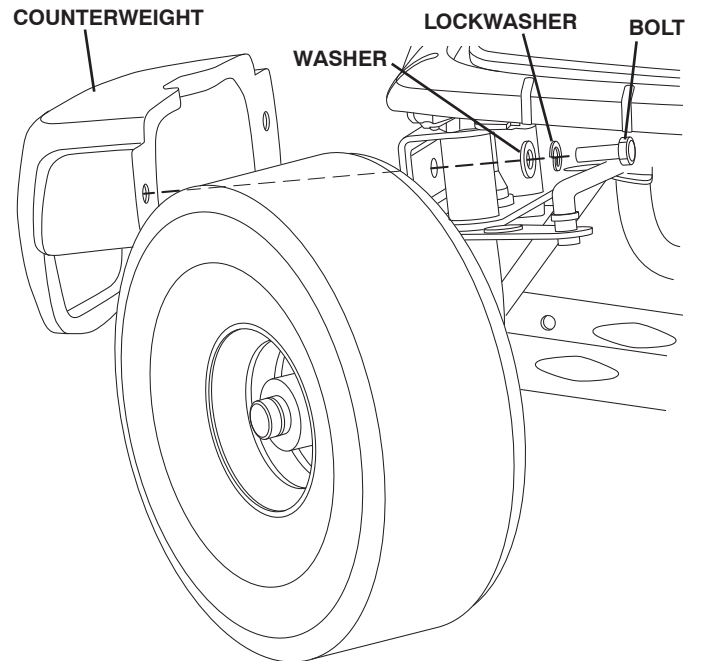


Fig. 9

# OPERATION

## TIPS FOR IMPROVED BAGGING OPERATION:

Follow the mower operation instructions in your riding mower owner's manual.

When operating your grass catcher on a lawn where grass and leaf bagging equipment has not been used, you are picking up thatch and debris that has accumulated for long periods of time. The amount collected and the total time of operation may be greater than you will experience with regular use of your grass catcher.

- Always run throttle at full speed when bagging.
- Select a gear low enough to give good mower cutting performance, good quality cut and good bagging performance.

**NOTE:** It may be necessary to overlap width of cut to suit your conditions.

- If grass is extremely tall, it should be mowed twice. The first time relatively high, the second time to desired height.
- Use left hand side of mower for trimming.
- Plastic trash bags can be inserted inside grass catcher containers for ease of debris disposal. To remove the plastic trash bags when full:
  - a. Disengage blades, shift into neutral, engage the parking brake and stop the engine.
  - b. Unlatch and raise cover.
  - c. Remove one container at a time by grasping container handles and pulling toward the rear, off of the tube rails.
  - d. With the container resting on the ground, close and secure the top of the plastic lawn bag.
  - e. Tip the container on its side and slide the filled bag from the container.
  - f. Install a new plastic lawn bag with the edges of the bag draped over upper lip of the container.
  - g. Repeat for other containers.
  - h. Reinstall containers making sure right container overlaps left container at center supports.
  - j. Close cover and secure latches over center support tubes.
- Avoid cutting wet grass or in the morning while the dew is still heavy. Grass clippings collected under these conditions tend to be sticky and adhere to the walls of the flow path causing clogging.

- Your bagger is equipped with a full bagger indicator. Movement of the wheel increases as the bags fill. The wheel will be spinning fastest just before the bags fill completely. When the wheel stops, it indicates that the bags are full and the chutes have become clogged.

**NOTE:** To help prevent clogging of chutes, check/empty bags when the wheel is spinning fast. Experience will teach you the best time to empty the bags.

Care should be taken not to damage the parts and that the wheel spins freely at the beginning of each use.

- If the grass catcher fails to pick up cut grass or leaves, it is an indication that clogging has occurred in the system or that the grass catcher containers are full. Usually this is indicated by the stopped movement of the full bagger indicator.
  - a. Disengage blade, shift into neutral, engage the parking brake and stop the engine.
    - Unlatch and raise cover.
    - Slide out containers and dispose of clippings.
    - Replace containers, close cover, and latch.
  - b. Unlatch chutes and check for clogging.
    - Remove all debris in chutes.
    - Reassemble and latch chutes
  - c. Check to insure full bagger indicator has not become clogged.
    - The air passage hole must be clear of debris. Gently insert a small twig or wire into passageway to clear.



## CAUTION

- **Do not operate mower with grass catcher partially installed.**
- **Disengage blade and stop engine before leaving riding mower seat to empty containers, unclogging chutes, etc.**
- **Close cover before starting.**
- **Disengage mower when crossing driveways or gravel surfaces and other areas where thrown objects could be a hazard.**
- **Do not attempt to vacuum up cans or other potentially hazardous projectiles.**

# CUSTOMER RESPONSIBILITIES

## GENERAL RECOMMENDATIONS

Always observe safety rules when performing any maintenance.

- Before each use check for loose fasteners.
- Clean unit thoroughly after each use.

## BLADE CARE

For best results, mower blade must be kept sharp. Replace bent or damaged blade.

- See BLADE CARE instructions in your riding mower owner's manual.



### **CAUTION: BEFORE PERFORMING ANY MAINTENANCE, SERVICE OR ADJUSTMENTS:**

- Depress clutch brake pedal fully and set parking brake.
- Place gearshift/motion control lever in "NEUTRAL" position.
- Place clutch control in "DISENGAGED" position.
- Turn ignition key to "OFF" position.
- Make sure blades and all moving parts have completely stopped.
- Disconnect spark plug wire(s) from spark plug(s) and place wire where it cannot come in contact with plug.



**CAUTION:** Grass catcher components are subject to wear, damage and deterioration, which could expose moving parts or allow objects to be thrown. Frequently check components and replace with manufacturer's recommended parts, when necessary.

## STORAGE

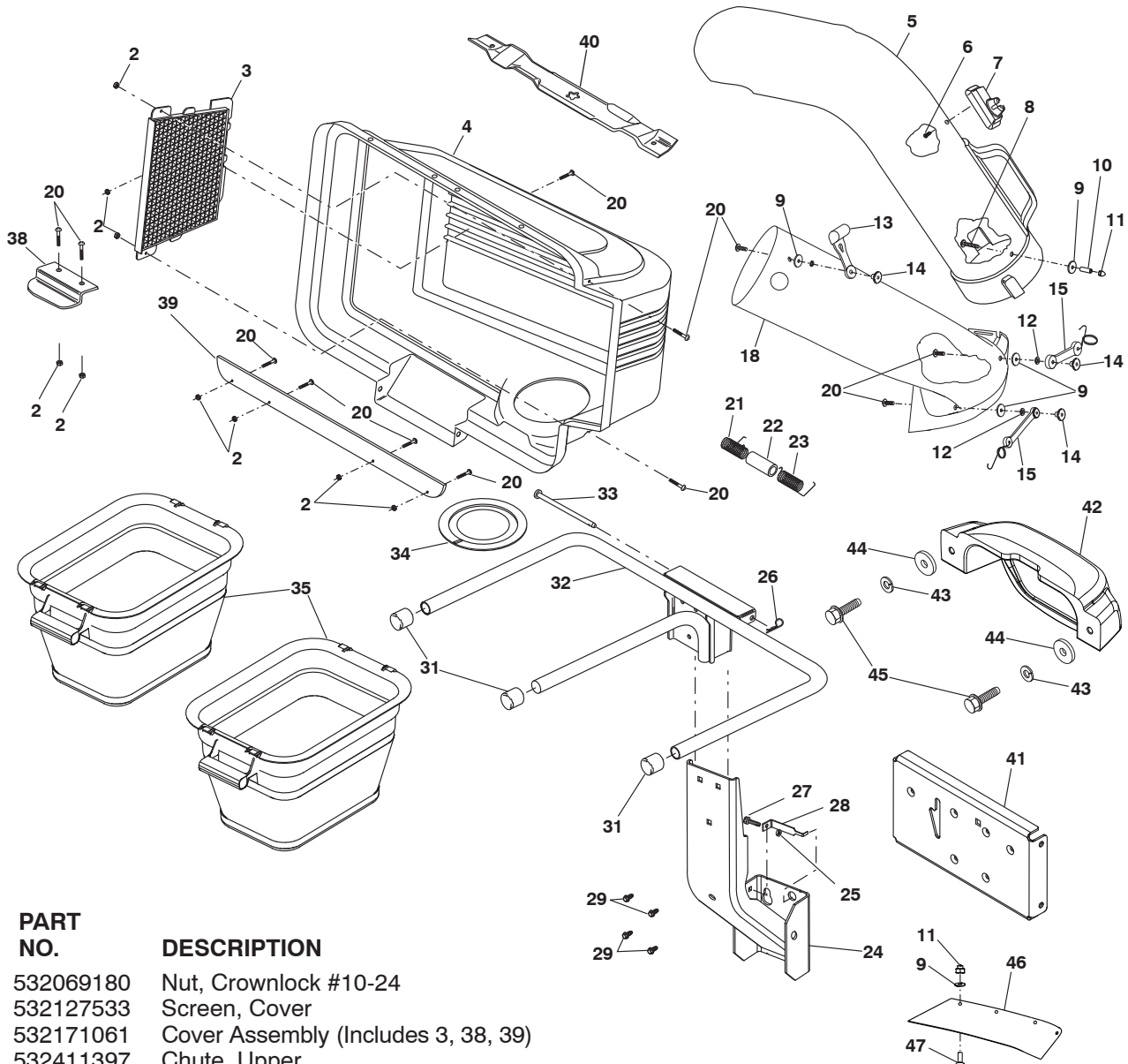
When grass catcher is to be stored for a period of time, clean it thoroughly, remove all dirt, grass, leaves, etc. Store in a clean, dry place.



**CAUTION:** Do not leave grass in bagger containers. Empty containers after each use and before storing. Failure to do so may result in spontaneous combustion which could develop into a fire.

# REPAIR PARTS

## GRASS CATCHER - - MODEL NUMBER G26LRV (PRODUCT NO. 960 73 00-27)



| KEY NO. | PART NO.  | DESCRIPTION                         |
|---------|-----------|-------------------------------------|
| 2       | 532069180 | Nut, Crownlock #10-24               |
| 3       | 532127533 | Screen, Cover                       |
| 4       | 532171061 | Cover Assembly (Includes 3, 38, 39) |
| 5       | 532411397 | Chute, Upper                        |
| 6       | 818021008 | Screw, Special #10-14 x 1/2         |
| 7       | 532130933 | Full Bag Indicator                  |
| 8       | 532087175 | Screw, #10-24 x 1-1/8               |
| 9       | 532052784 | Washer 3/16 x 3/4 x 16 Ga.          |
| 10      | 532171345 | Spacer, Split                       |
| 11      | 532060867 | Nut, Acorn #10-24                   |
| 12      | 810071000 | Washer, lock                        |
| 13      | 532109808 | Latch, Chute                        |
| 14      | 532125004 | Nut, Weld                           |
| 15      | 532160793 | Latch, Hook                         |
| 18      | 532428148 | Chute, Lower                        |
| 20      | 871081010 | Screw #10-24 x 5/8                  |
| 21      | 532132796 | Spring, Cover L.H. (black)          |
| 22      | 532133235 | Spacer, Cover                       |
| 23      | 532132983 | Spring, Cover R.H. (gray)           |
| 24      | 532180923 | Support Assemble                    |
| 25      | 873800400 | Locknut                             |
| 26      | 532124670 | Spring, Retainer                    |
| 27      | 872140405 | Bolt                                |
| 28      | 532179745 | Bracket, Lock                       |

| KEY NO. | PART NO.  | DESCRIPTION                    |
|---------|-----------|--------------------------------|
| 29      | 532170165 | Bolt, Shoulder 5/16-18         |
| 31      | 532174083 | Plug, Tubing End               |
| 32      | 532179746 | Bagger, Frame                  |
| 33      | 532192786 | Pin, Hinge                     |
| 34      | 532127534 | Gasket, Cover                  |
| 35      | 532429113 | Container                      |
| 38      | 532130895 | Latch Handle, Cover            |
| 39      | 532155042 | Strip, Reinforcement           |
| 40      | 532428580 | Blade                          |
| 41      | 532433968 | Drawbar                        |
| 42      | 532432461 | Counterweight                  |
| 43      | 819111216 | Washer                         |
| 44      | 810040500 | Lock Washer                    |
| 45      | 874780516 | Bolt                           |
| 46      | 532436333 | Deflector Guard                |
| 47      | 871191008 | Screw, #10-24 x 1/2            |
| --      | 532434660 | Owner's Manual, English/French |
| --      | 532434661 | Owner's Manual, Spanish        |