

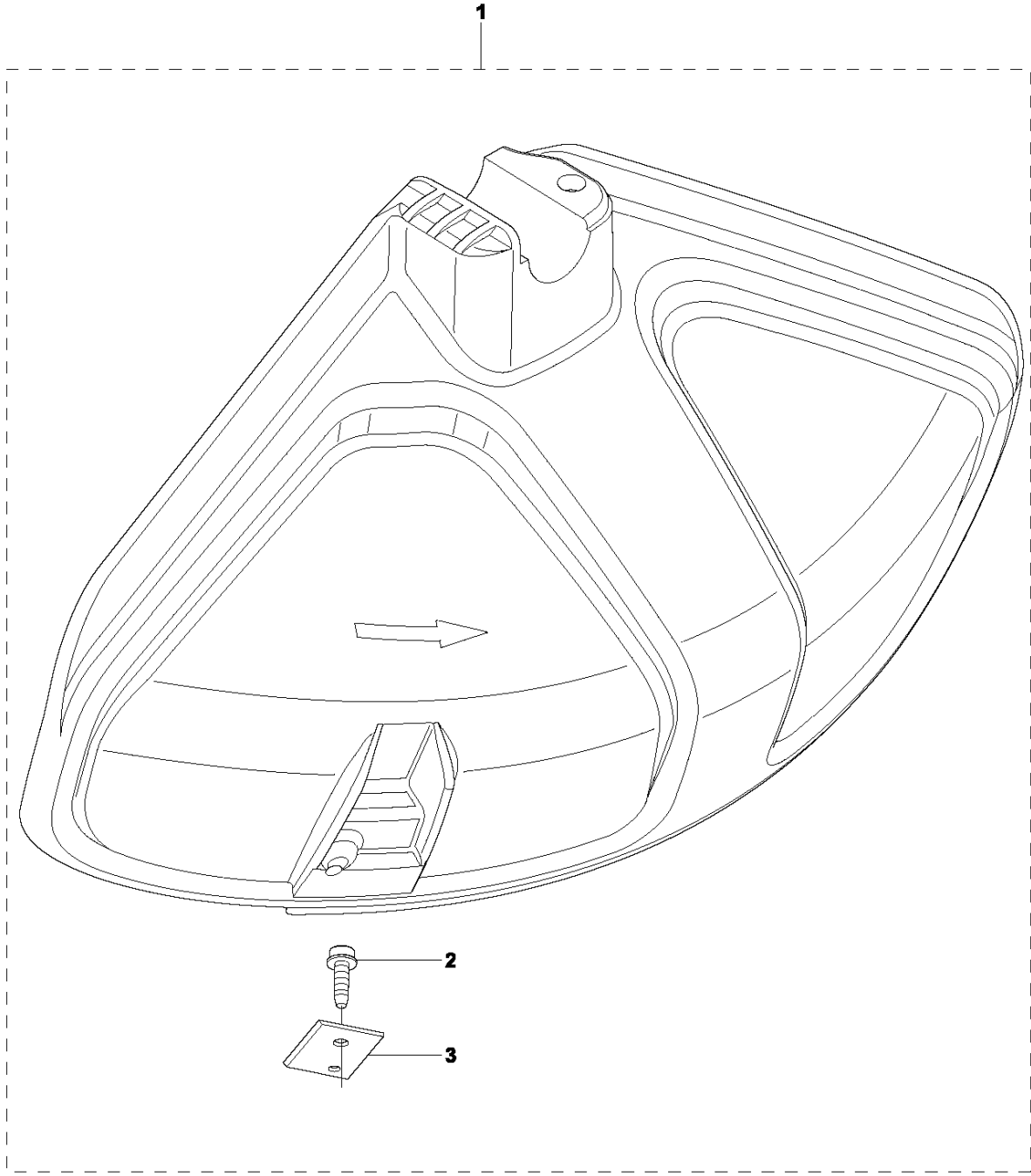


SPARE PARTS LIST

BRUSHCUTTERS/CLEARING SAWS

233 RJ, 2011-07

R2 233RJ, 233R, 533RS
ACCESSORIES

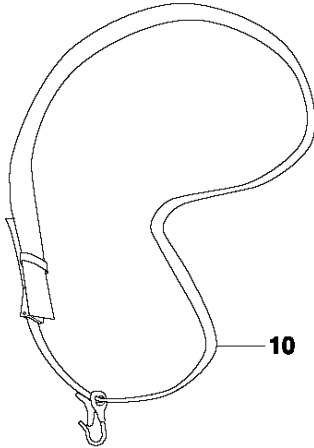
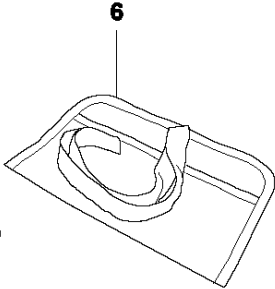
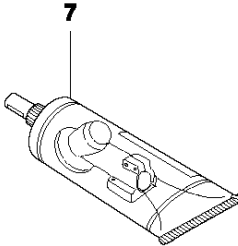
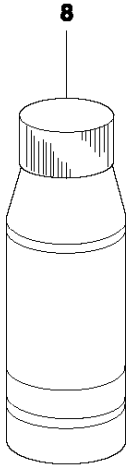
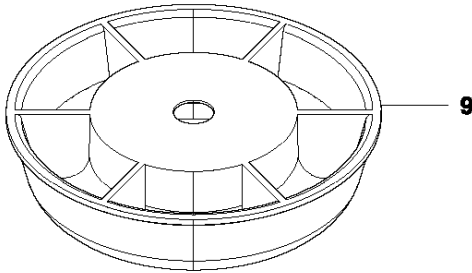
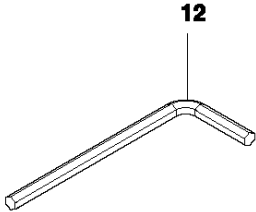
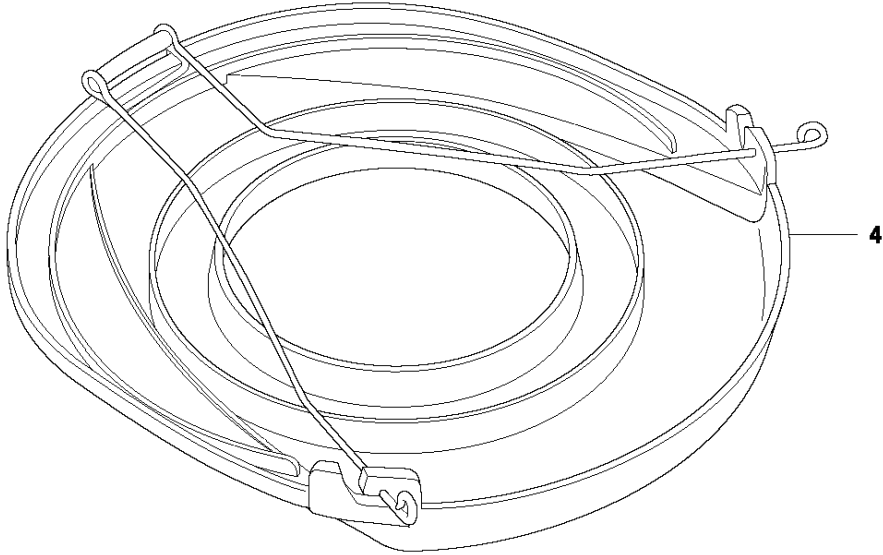
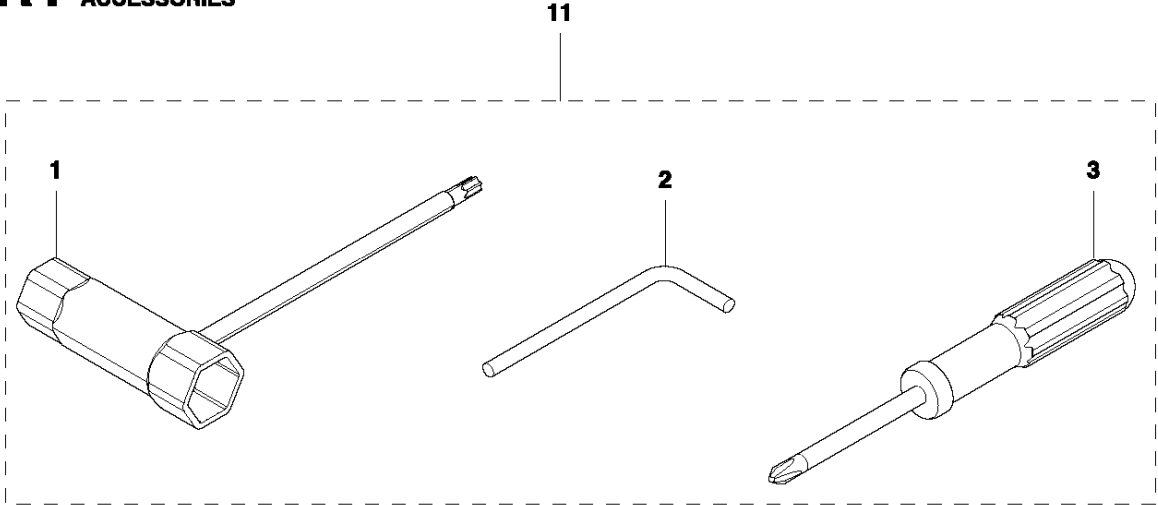


ACCESSORIES

233 RJ, 2011-07

Ref	Part no.	Description	Remark	Qty	Kit
1	503 93 42-02	COMBI GUARD		1	
2	503 21 07-16	SCREW IHSCFT		1	1
3	503 79 88-01	BLADE		1	1

R1 233RJ, 233R, 533RS
ACCESSORIES

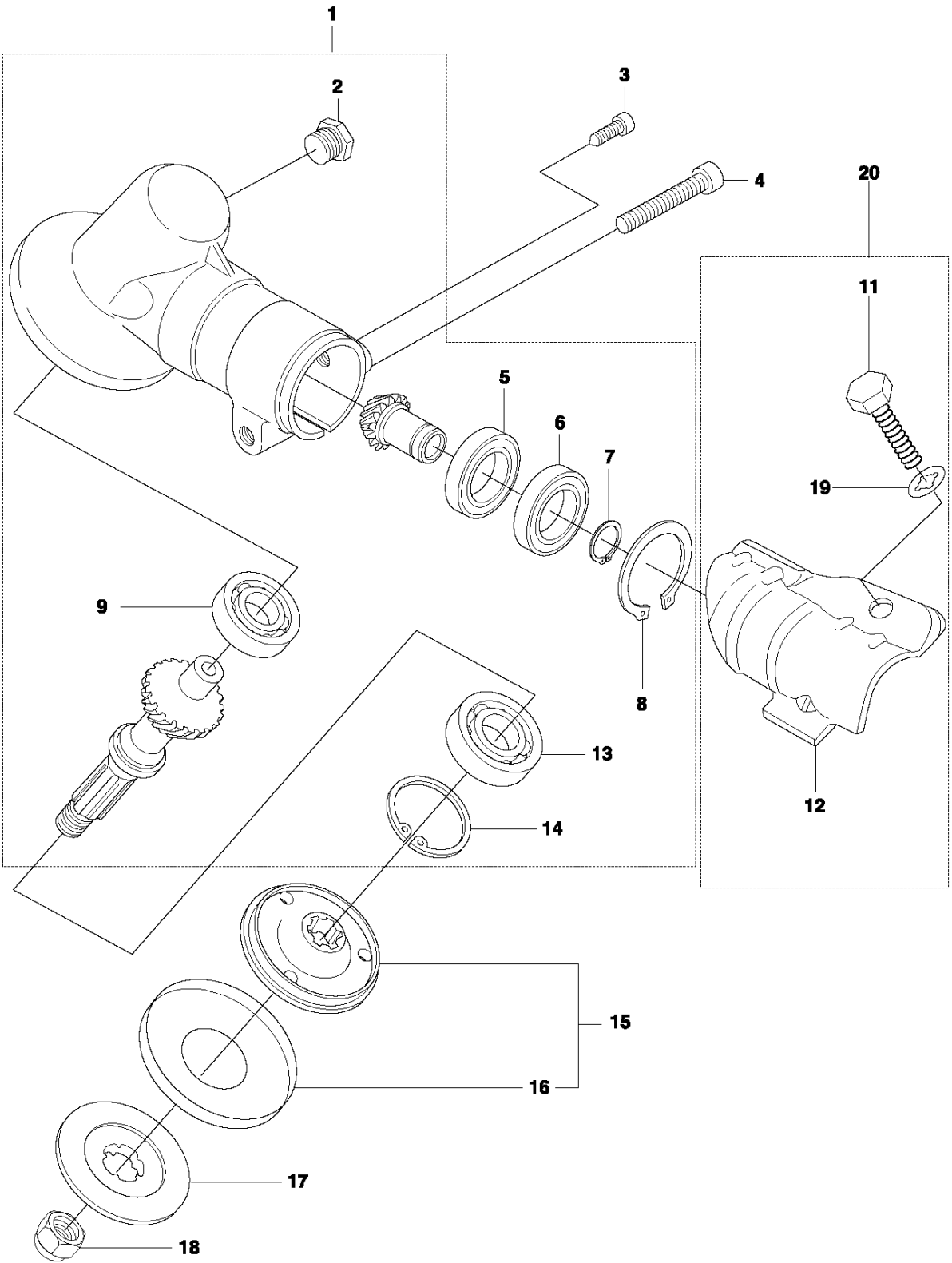


ACCESSORIES

233 RJ, 2011-07

Ref	Part no.	Description	Remark	Qty	Kit
1	506 68 61-01	COMBINATION WRENCH		1	11
2	505 31 20-01	BAR		1	11
3	506 68 95-01	DRIVER		1	11
4	537 31 29-01	TRANSPORT GUARD		1	
6	501 19 22-01	TOOL CASING		1	
7	503 97 64-01	GREASE		1	
8	531 00 92-48	FILTER OIL		1	
9	503 89 01-01	SUPPORT CUP		1	
10	537 21 62-01	HARNES	233RJ	1	
11	529 26 53-01	TOOL SET		1	
12	505 31 19-01	WRENCH		1	

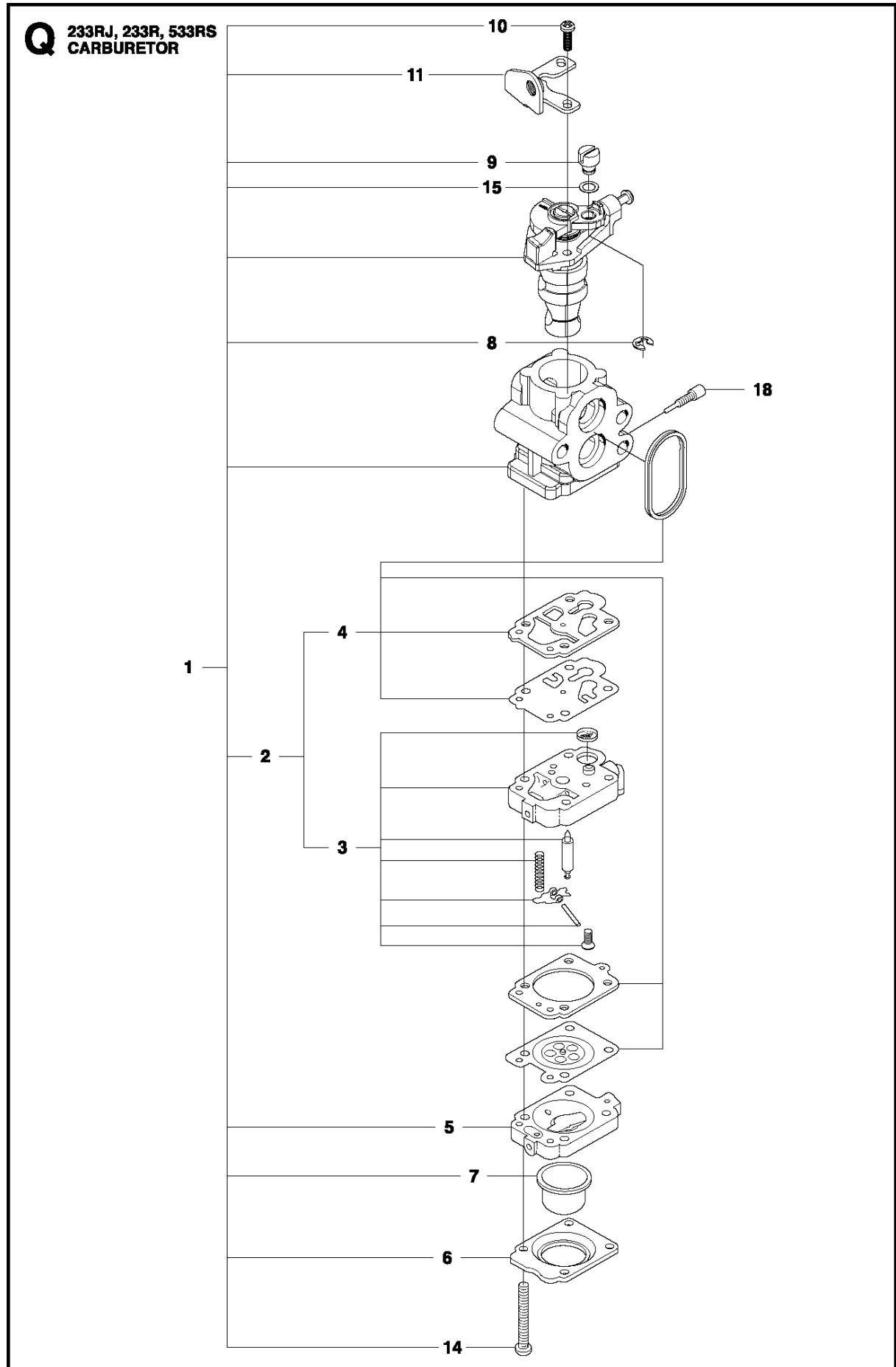
A 233RJ, 233R, 533RS
BEVEL GEAR



BEVEL GEAR

233 RJ, 2011-07

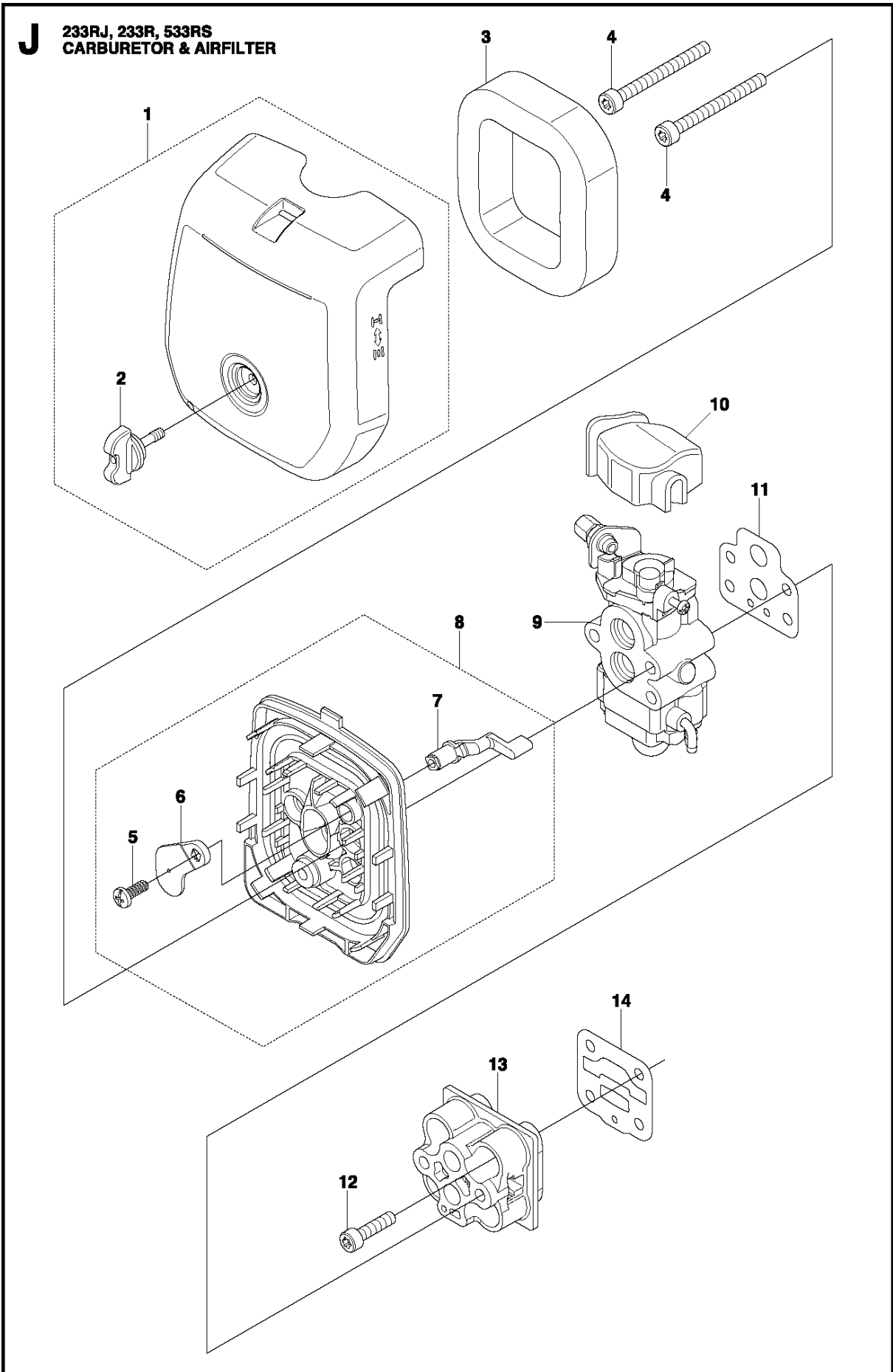
Ref	Part no.	Description	Remark	Qty	Kit
1	537 33 32-02	GEARCASE-A		1	1
2	503 20 15-02	SCREW IHHM		1	1
3	506 74 56-01	BOLT	Screw M5x12	1	
4	512 84 59-01	BOLT	Screw M5x25	1	
5	738 21 99-00	BALL BEARING		1	1
6	738 21 99-02	BALL BEARING		1	1
7	735 31 11-00	CIRCLIP		1	1
8	735 31 25-10	CIRCLIP		1	1
9	738 21 98-00	BALL BEARING		1	1
11	537 18 95-01	SCREW	Screw M6x20	1	20
12	503 93 55-01	CLAMP.GUARD		1	20
13	738 21 01-04	BALL BEARING		1	1
14	735 31 28-10	CIRCLIP		1	1
15	537 23 49-01	DRIVER ASSY		1	
16	537 29 26-01	CUP		1	15
17	537 28 56-01	SUPPORT FLANGE		1	
18	503 85 63-01	NUT		1	
19	575 67 73-01	LOCK WASHER		1	20
20	575 77 87-01	BRACKET		1	



CARBURETOR

233 RJ, 2011-07

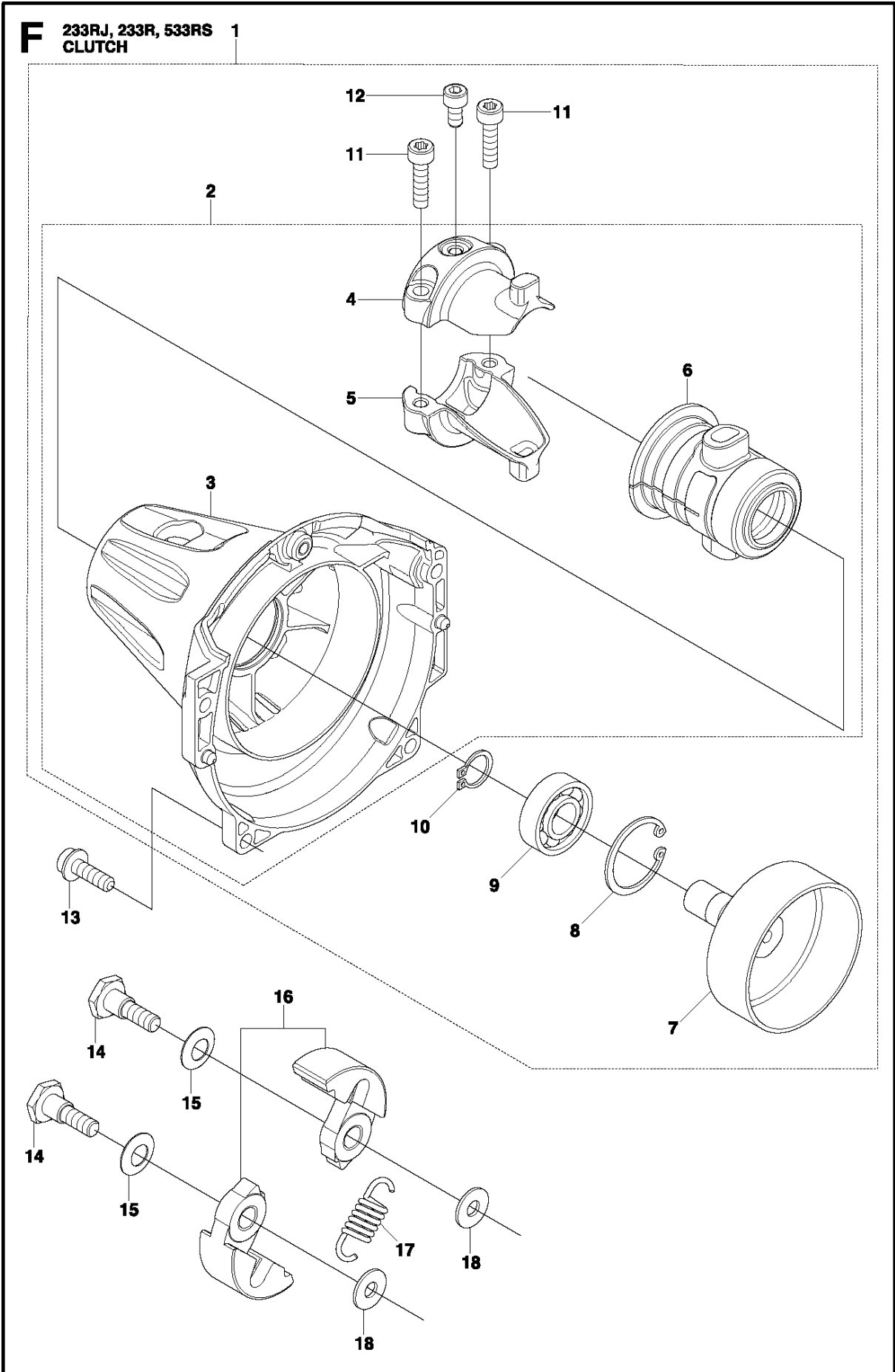
Ref	Part no.	Description	Remark	Qty	Kit
1	577 46 26-01	CARBURETOR	233R, 533RS	1	
1	528 06 92-01	CARBURETOR-A	233RJ	1	
2	528 07 01-01	REBUILD KIT		1	1
3	502 23 84-01	CARBURETTOR BODY		1	1,2
4	515 37 87-01	GASKET KIT		1	1,2
5	506 74 09-01	BODY		1	1
6	506 74 10-01	COVER		1	1
7	505 30 67-01	PUMP		1	1
8	506 73 86-01	RING		1	1
9	506 74 12-01	SWIVEL		1	1
10	505 30 79-01	SCREW		1	1
11	506 74 60-01	BRACKET		1	1
14	506 74 11-01	SCREW		4	1
15	506 74 61-01	WASHER		1	1
18	511 35 14-01	NEEDLE		1	



CARBURETOR & AIR FILTER

233 RJ, 2011-07

Ref	Part no.	Description	Remark	Qty	Kit
1	528 06 95-01	COVER-A		1	
2	523 07 13-01	KNOB		1	
3	512 32 96-01	ELEMENT		1	
4	504 11 65-01	SCREW		2	
5	506 67 38-01	SCREW		1	8
6	515 38 65-01	PLATE.CHOKE		1	8
7	521 76 05-01	LEVER CHOKE		1	8
8	528 06 94-01	BODY-A		1	
9	577 46 26-01	CARBURETOR	233R, 533RS	1	
9	528 06 92-01	CARBURETOR-A	233RJ	1	
10	506 74 42-01	COVER		1	
11	521 75 50-01	GASKET		1	
12	505 04 04-01	BOLT		4	
13	528 07 37-01	INSULATOR		1	
14	528 07 02-01	GASKET,INSU		1	

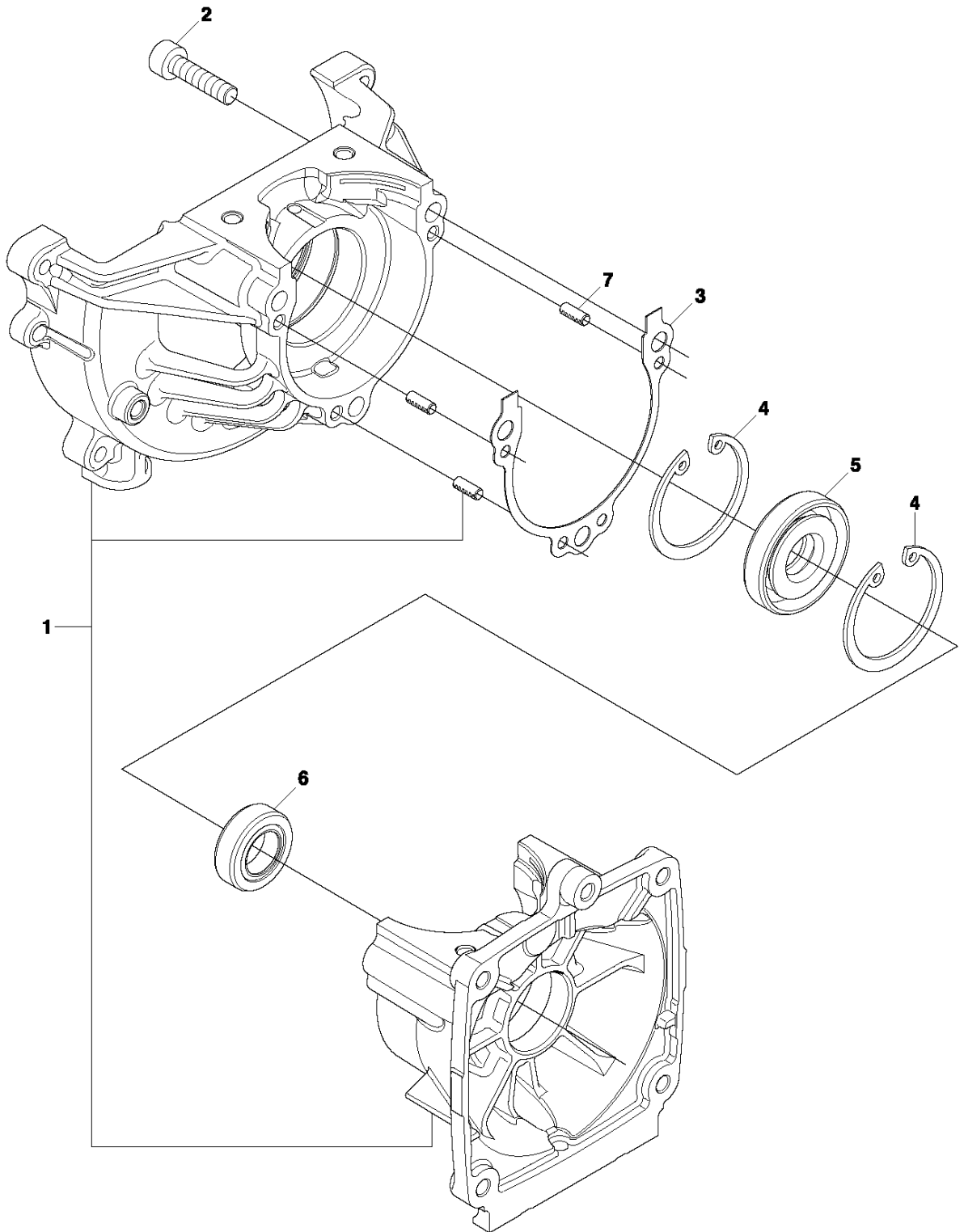


CLUTCH

233 RJ, 2011-07

Ref	Part no.	Description	Remark	Qty	Kit
1	528 07 10-01	HOUSING-A		1	
2	521 75 51-01	HOUSING-COMP		1	1
3	521 75 52-01	HOUSING		1	1, 2
4	521 76 82-01	BRACKET(A)		1	1, 2
5	521 76 83-01	BRACKET(B)		1	1, 2
6	512 36 05-01	CUSHION		1	1, 2
7	521 60 98-01	DRUM		1	1
8	506 60 99-01	RING		1	1
9	525 95 32-01	BEARING		1	1
10	516 12 41-01	RING		1	1
11	504 11 43-01	SCREW		2	
12	529 26 81-01	BOLT		1	
13	515 39 13-01	BOLT		4	
14	513 18 96-01	SCREW		2	
15	513 18 95-01	WASHER		2	
16	515 38 91-01	SHOE-C		1	
17	515 38 93-01	SPRING		1	
18	505 05 44-01	WASHER		2	

P 233RJ, 233R, 533RS
CRANKCASE

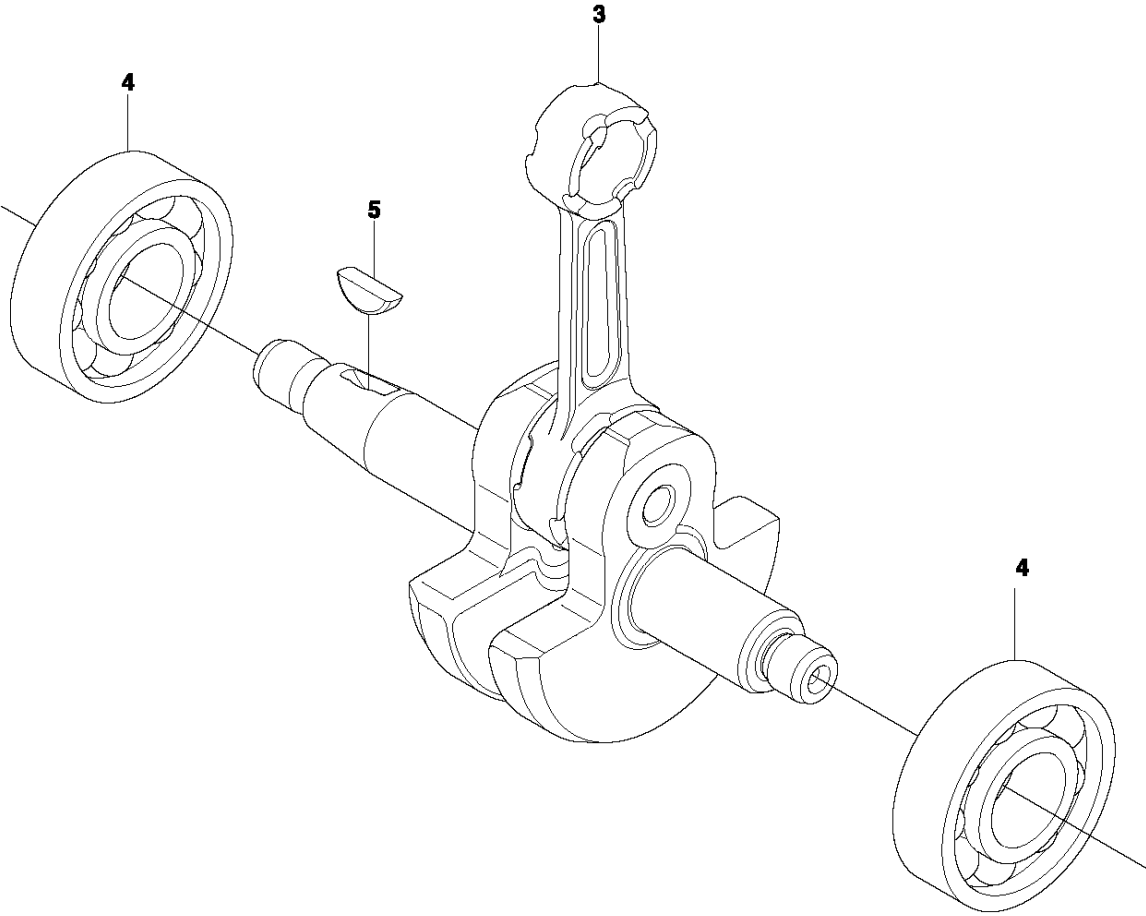


CRANKCASE

233 RJ, 2011-07

Ref	Part no.	Description	Remark	Qty	Kit
1	521 61 55-01	CASE-COMP		1	
2	504 11 43-01	SCREW		3	
3	504 12 12-01	GASKET		1	
4	504 12 10-01	SNAP RING		2	
5	505 29 67-01	SEAL		1	
6	504 12 15-01	SEALING		1	
7	505 29 61-01	PIN		3	

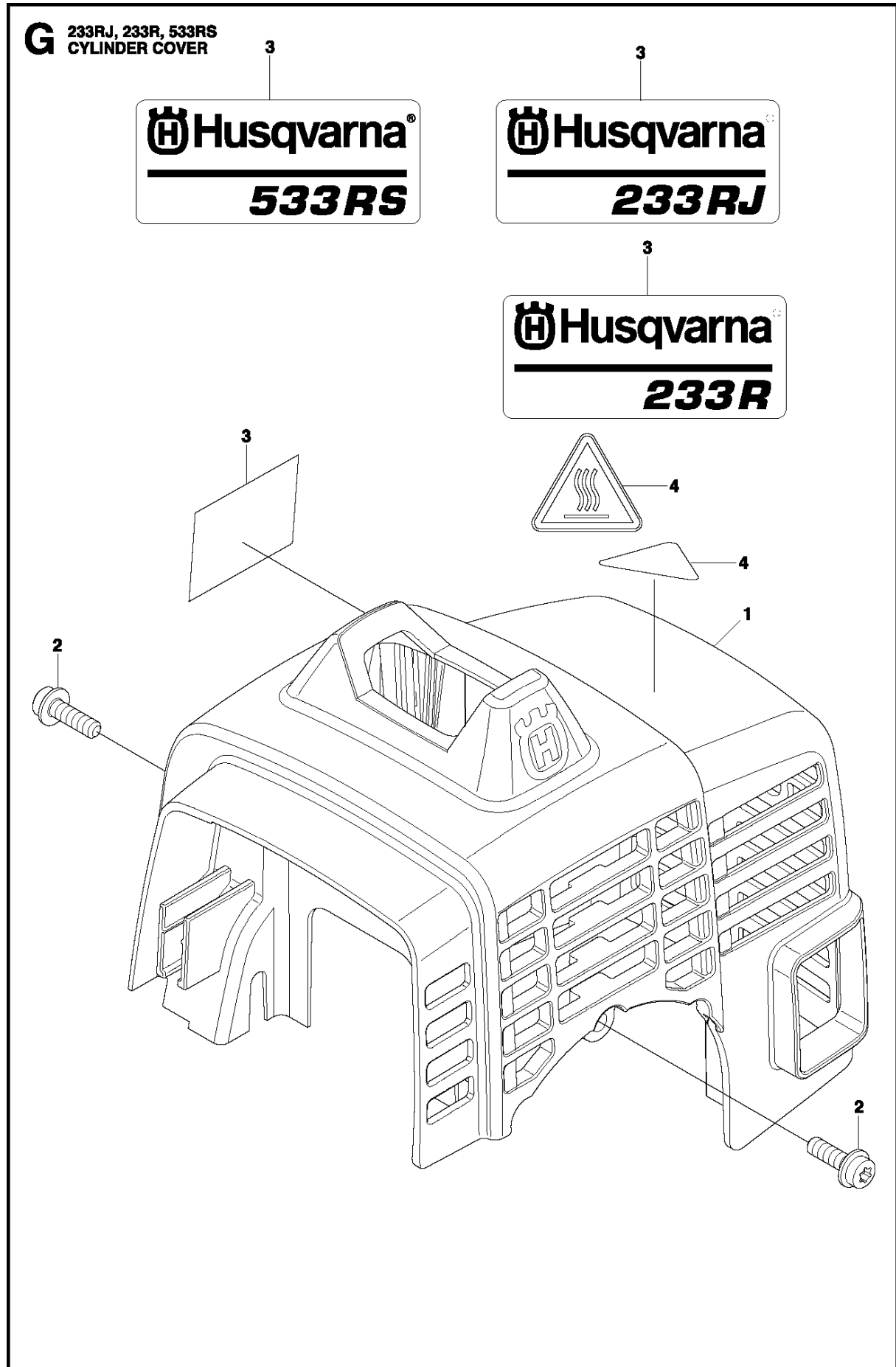
N 233RJ, 233R, 533RS
CRANK SHAFT



CRANKSHAFT

233 RJ, 2011-07

Ref	Part no.	Description	Remark	Qty	Kit
3	521 61 60-01	SHAFT-COMP		1	
4	504 12 14-01	BEARING		2	
5	506 68 94-01	KEY		1	

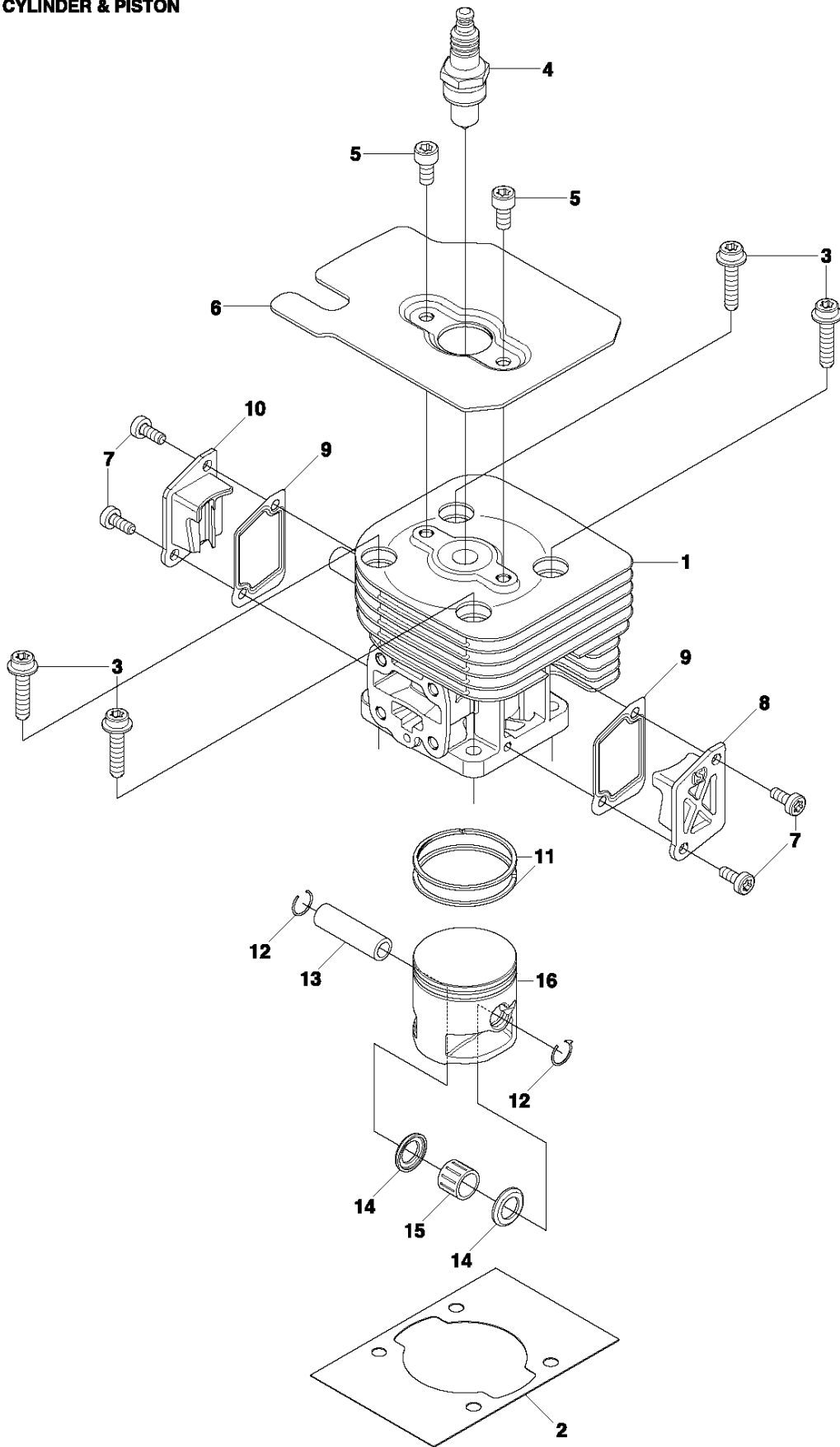


CYLINDER COVER

233 RJ, 2011-07

Ref	Part no.	Description	Remark	Qty	Kit
1	528 06 88-01	COVER,ENGINE		1	
2	574 71 08-01	BOLT	233R, 533RS	1	
2	506 74 56-01	BOLT	233RJ	1	
3	577 97 04-01	DECAL	233RJ	1	
3	528 80 06-01	LABEL,NAME	233RJ	1	
3	578 42 07-01	DECAL	533RS	1	
4	521 55 36-01	LABEL		1	

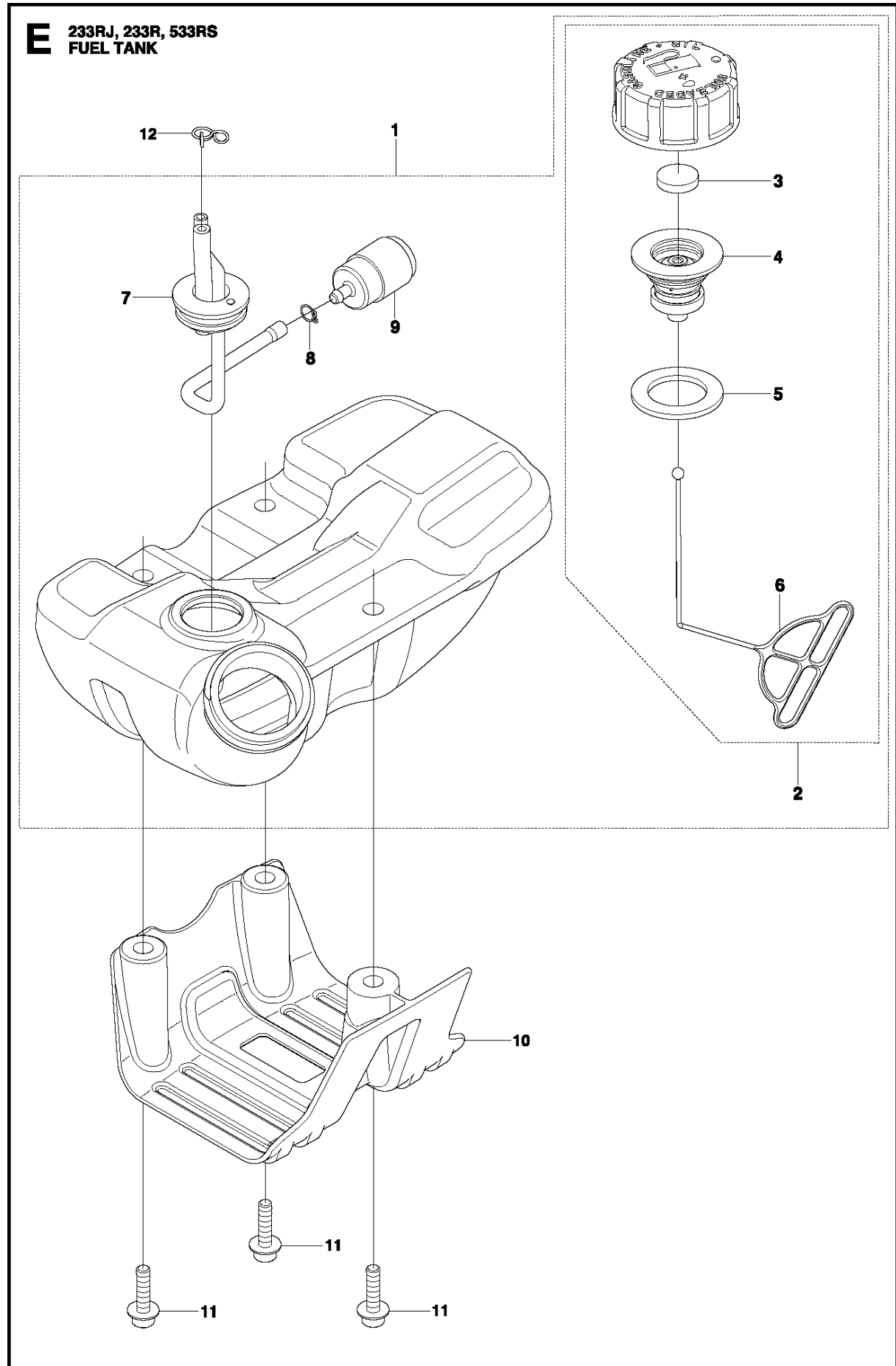
M 233RJ, 233R, 533RS
CYLINDER & PISTON



CYLINDER PISTON

233 RJ, 2011-07

Ref	Part no.	Description	Remark	Qty	Kit
1	528 07 33-01	CYLINDER		1	
2	504 11 91-01	GASKET		1	
3	505 04 04-01	BOLT		4	
4	528 07 40-01	SPARKPLUG		1	
5	504 11 96-01	SCREW		2	
6	576 81 06-01	PLATE	233R, 533RS	1	
6	528 06 87-01	PLATE,CYLINDER	233RJ	1	
7	504 11 92-01	SCREW		4	
8	521 61 45-01	COVER		1	
9	521 61 48-01	GASKET		2	
10	521 61 47-01	COVER		1	
11	521 75 54-01	RING		2	
12	504 12 09-01	SNAP RING		2	
13	504 12 06-01	PISTON PIN		1	
14	504 12 02-01	WASHER		2	
15	504 12 01-01	BEARING		1	
16	528 07 38-01	PISTON		1	

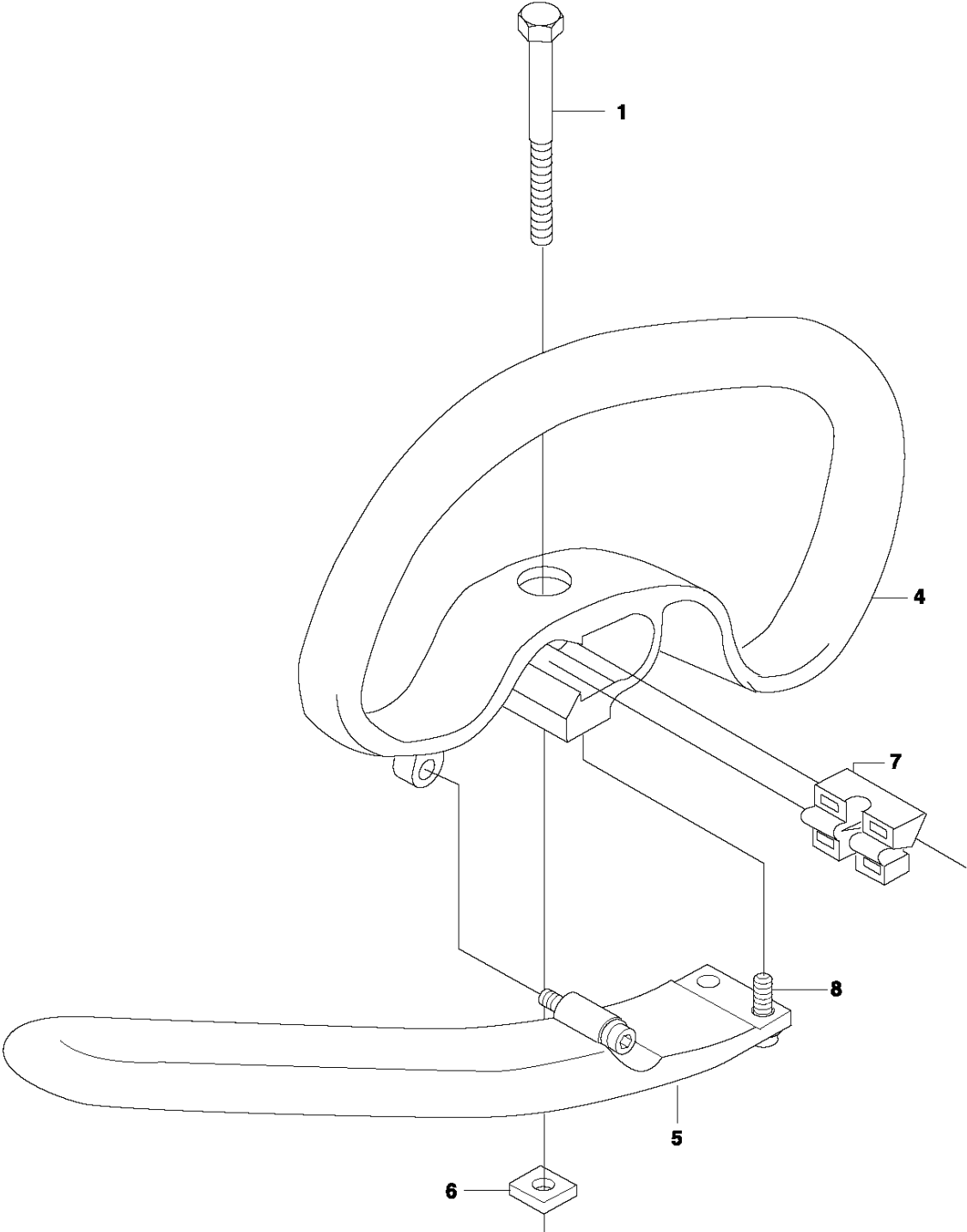


FUEL TANK

233 RJ, 2011-07

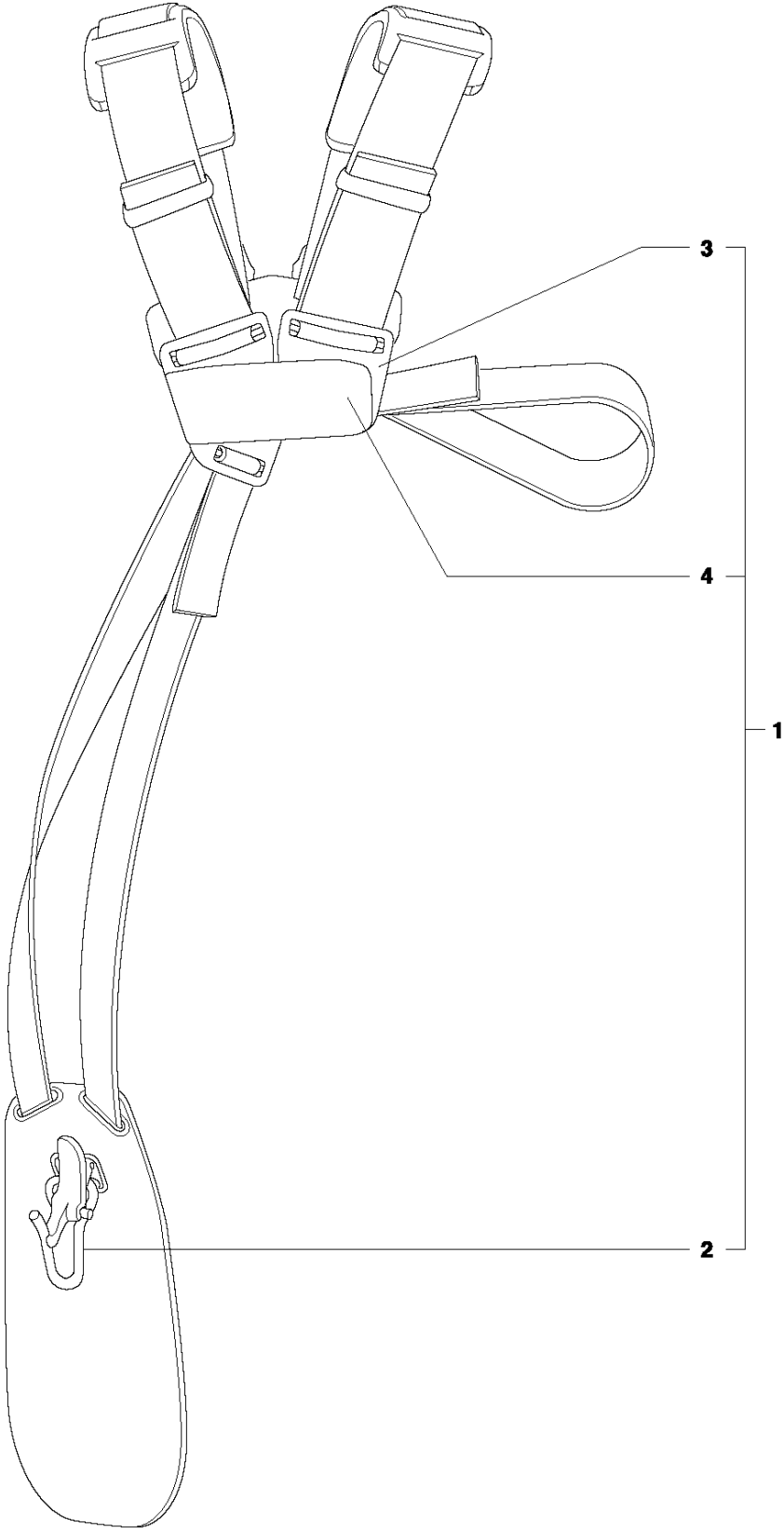
Ref	Part no.	Description	Remark	Qty	Kit
1	528 07 12-01	TANK-A		1	
2	505 30 96-01	CAP-A		1	1
3	506 74 68-01	FILTER		1	1,2
4	515 36 94-01	HOLDER-A		1	1,2
5	506 74 43-01	PACKING		1	1,2
6	506 74 58-01	STOPPER		1	1,2
7	521 61 66-01	PIPE-COMP		1	1
8	506 70 70-01	CLIP		1	1
9	506 61 46-01	FILTER		1	1
10	528 06 97-01	GUARD,TANK		1	
11	512 84 56-01	BOLT		3	
12	506 74 15-01	CLIP		1	

C1 233RJ
HANDLE

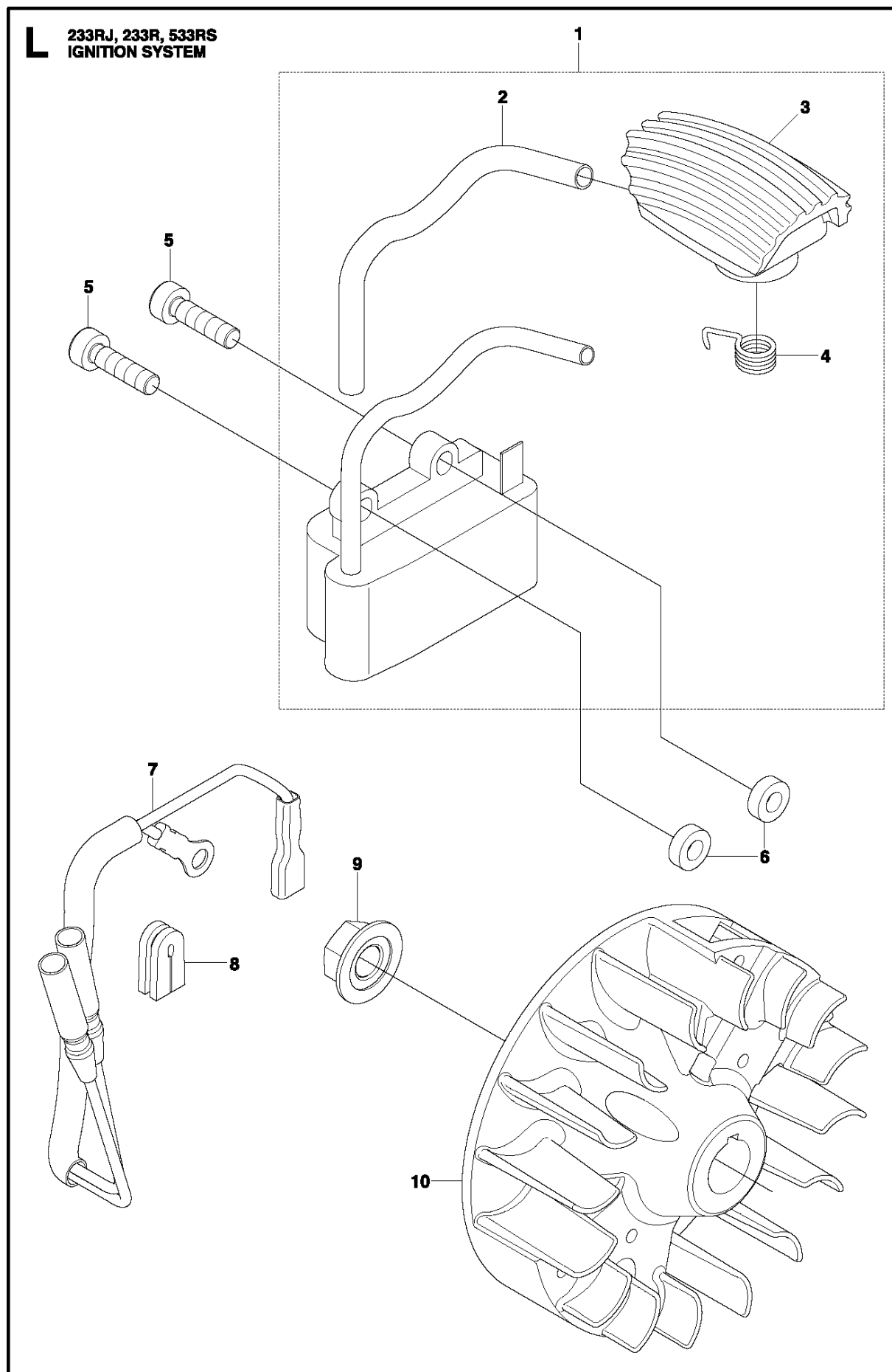


Ref	Part no.	Description	Remark	Qty	Kit
1	510 90 61-01	BOLT		1	
4	503 87 19-06	HANDLE		1	
5	503 99 78-04	HANDLE		1	
6	502 19 71-01	SQUARE NUT		1	
7	503 94 03-01	DISTANCE.HANDLE		1	
8	574 18 15-01	SCREW IHSCFTO		3	

S 233R, 533RS
HARNESS



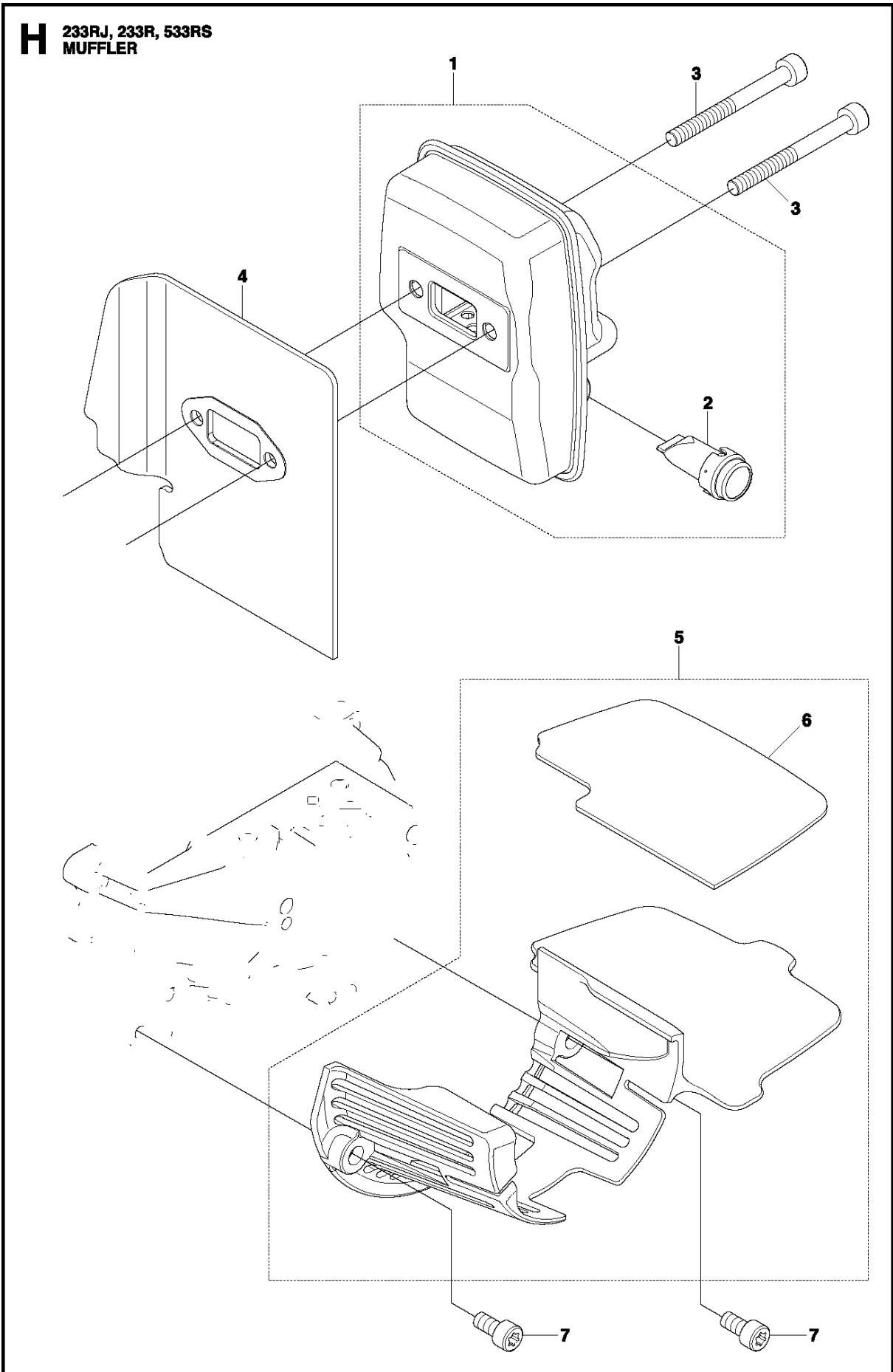
Ref	Part no.	Description	Remark	Qty	Kit
1	537 21 63-01	HARNESS		1	
2	502 02 28-02	WELT HOOK		1	1
3	503 73 40-01	FRONT PIECE		1	1
4	503 73 41-02	FRONT PIECE		1	1



IGNITION SYSTEM

233 RJ, 2011-07

Ref	Part no.	Description	Remark	Qty	Kit
1	574 62 53-01	COIL	233R, 533RS	1	
1	512 33 20-01	COIL-A	233RJ	1	
2	506 61 82-01	TUBE	233R, 533RS	1	
2	513 76 47-01	TUBE	233RJ	1	
3	521 61 00-01	HUB CAP		1	1
4	506 65 52-01	SPRING	233R, 533RS	1	
4	521 73 95-01	SPRING	233RJ	1	
5	506 74 57-01	BOLT		2	
6	504 11 86-01	SPACER		2	
7	512 32 86-01	CORD-COMP		1	
8	506 61 59-01	GROMMET		1	
9	504 11 80-01	NUT		1	
10	521 76 93-01	ROTOR		1	

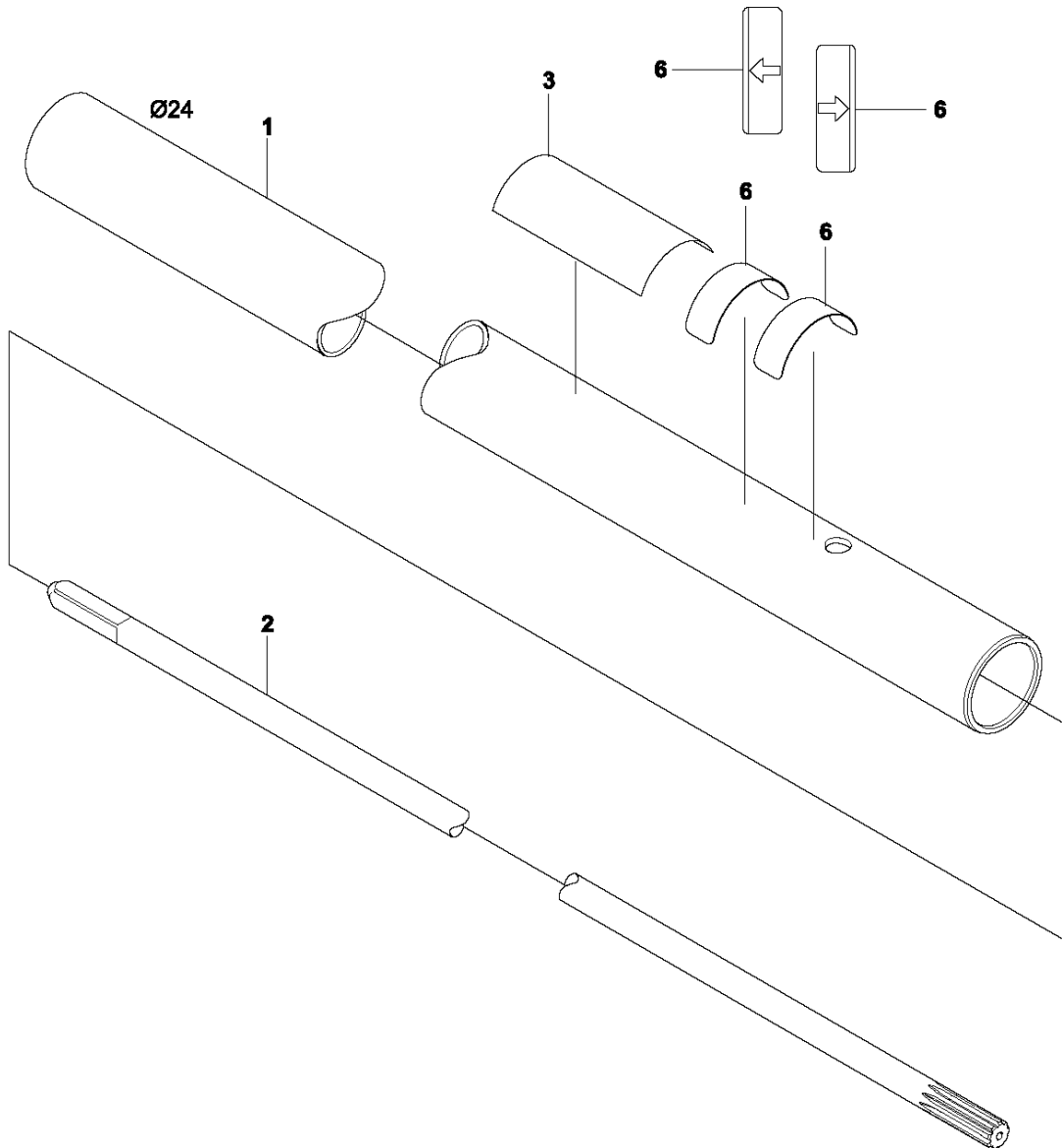
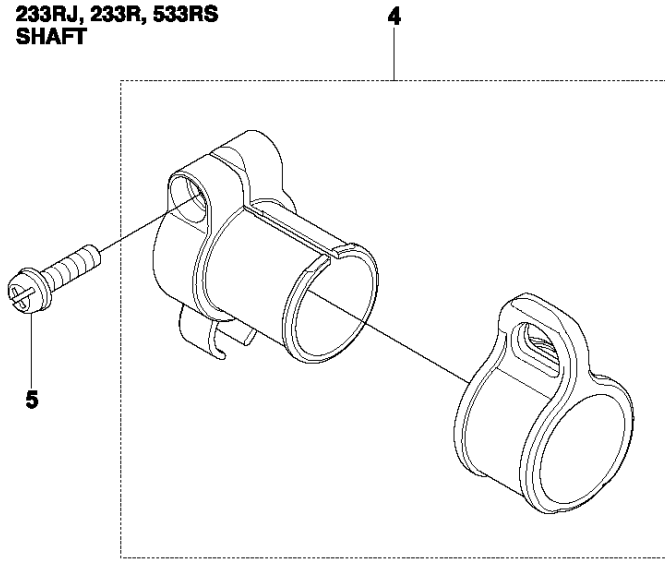


MUFFLER

233 RJ, 2011-07

Ref	Part no.	Description	Remark	Qty	Kit
1	575 58 42-01	MUFFLER	233RJ AUS	1	
1	511 38 68-01	MUFFLER	233RJ, 233R, 533RS	1	
2	506 61 56-01	ARRESTER	233RJ AUS	1	1
3	504 11 65-01	SCREW		2	
4	528 07 03-01	GASKET		1	
5	521 61 52-01	PLATE		1	
6	521 61 54-01	SHEET		2	5
7	504 11 96-01	SCREW		2	

B 233RJ, 233R, 533RS
SHAFT

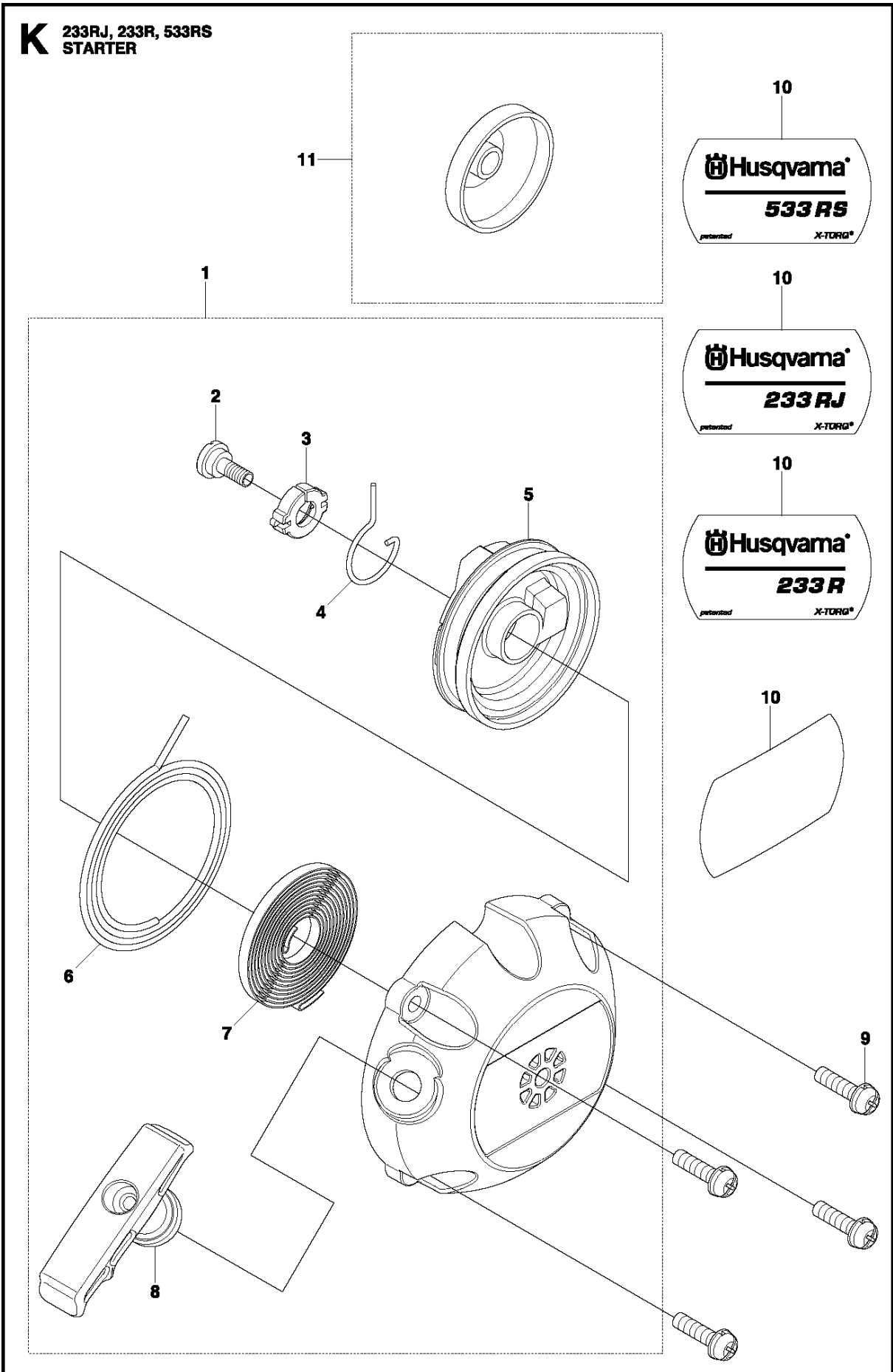


SHAFT

233 RJ, 2011-07

Ref	Part no.	Description	Remark	Qty	Kit
1	528 84 20-01	PIPE-COMP		1	
2	528 84 19-01	SHAFT		1	
3	510 96 31-01	LABEL.CAUTION		1	
4	521 82 21-01	HANGER-COMP		1	
5	510 48 23-01	SCREW	233RJ	1	
5	521 51 53-01	SCREW	233R, 533RS	1	
6	505 29 58-01	LABEL		2	

K 233RJ, 233R, 533RS
STARTER

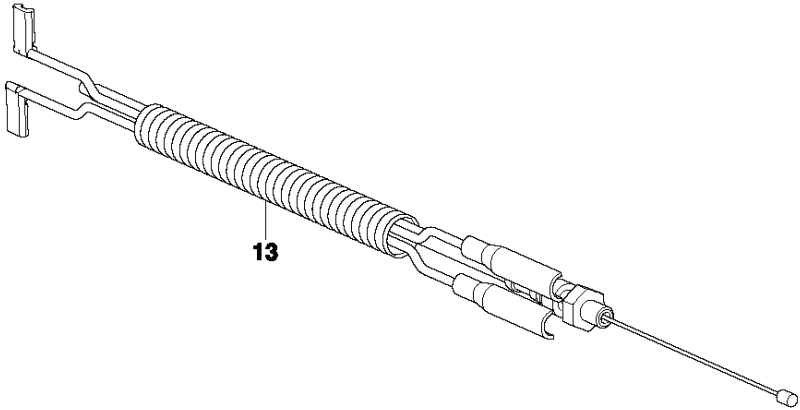
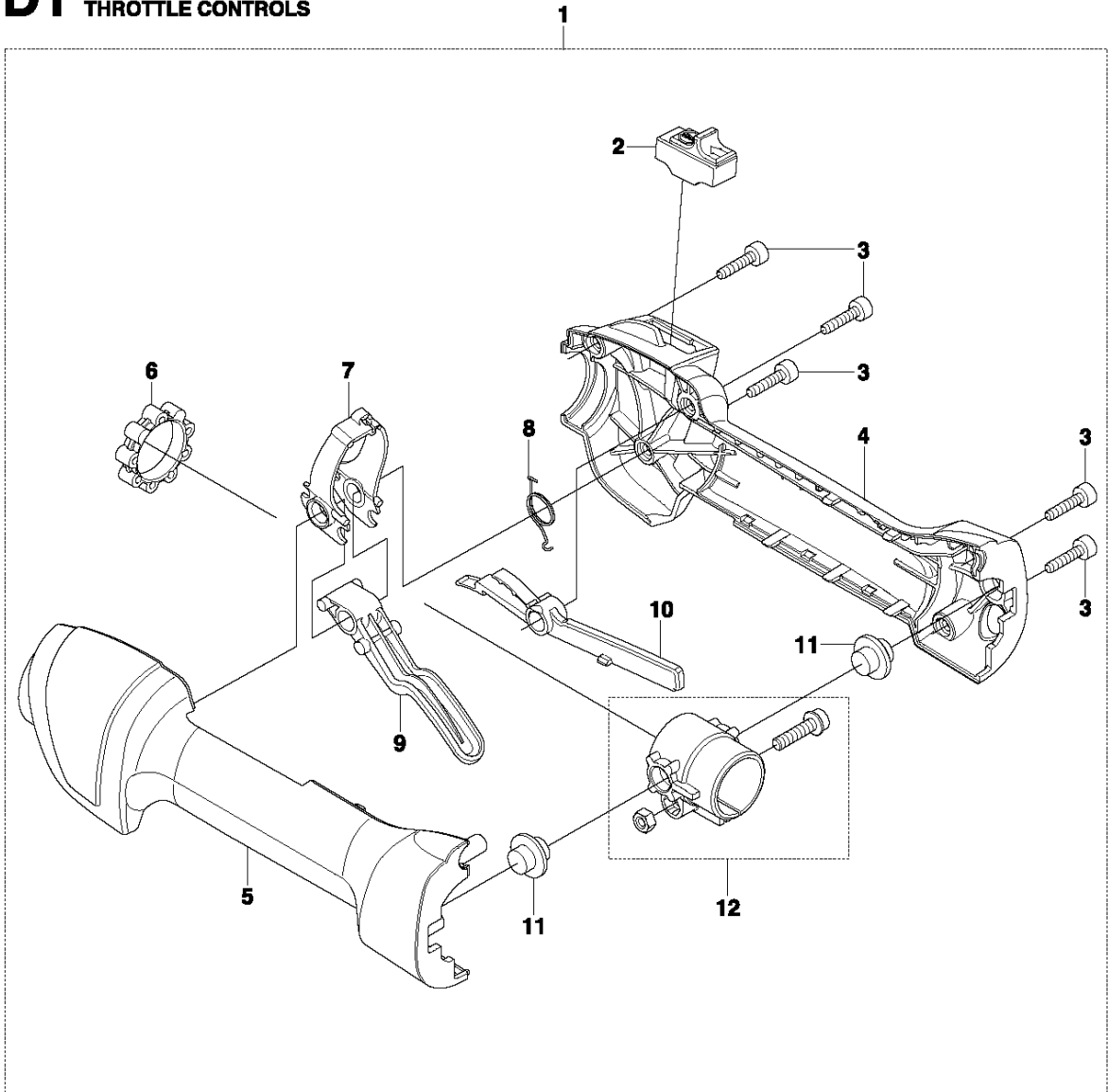


STARTER

233 RJ, 2011-07

Ref	Part no.	Description	Remark	Qty	Kit
1	528 06 90-01	RECOIL-A		1	
2	515 36 71-01	SCREW		1	1
3	504 11 46-01	COLLAR		1	1
4	504 11 48-01	ARM		1	1
5	504 11 47-01	REEL		1	1
6	504 11 49-01	ROPE		1	1
7	504 11 50-01	SPRING.SPIRAL		1	1
8	521 61 79-01	KNOB		1	1
9	506 74 56-01	BOLT		4	
10	578 42 08-01	DECAL	533RS	1	
10	528 06 98-01	LABEL,RECOIL	233RJ	1	
10	577 97 03-01	DECAL	233R	1	
11	504 11 44-01	PULLEY		1	

D1 233RJ THROTTLE CONTROLS



THROTTLE CONTROLS

233 RJ, 2011-07

Ref	Part no.	Description	Remark	Qty	Kit
1	522 52 38-01	THROTTLE CONTROL		1	
2	503 71 82-01	SWITCH		1	1
3	503 21 66-18	SCREW IHSCT		5	1
4	544 23 84-01	HANDLE HALF		1	1
5	544 23 85-01	HANDLE HALF		1	1
6	503 96 14-01	VIBRATION ABSORBER		1	1
7	503 91 81-01	THROTTLE LEVER		1	1
8	544 10 08-01	RECOIL SPRING		1	1
9	503 87 79-01	THROTTLE TRIGGER		1	1
10	503 87 80-01	THROTTLE LOCKOUT		1	1
11	544 10 17-01	RUBBER DAMPER		2	1
12	544 21 10-01	RETAINER		1	1
13	522 44 88-01	THROTTLE CABLE ASSY		1	1