

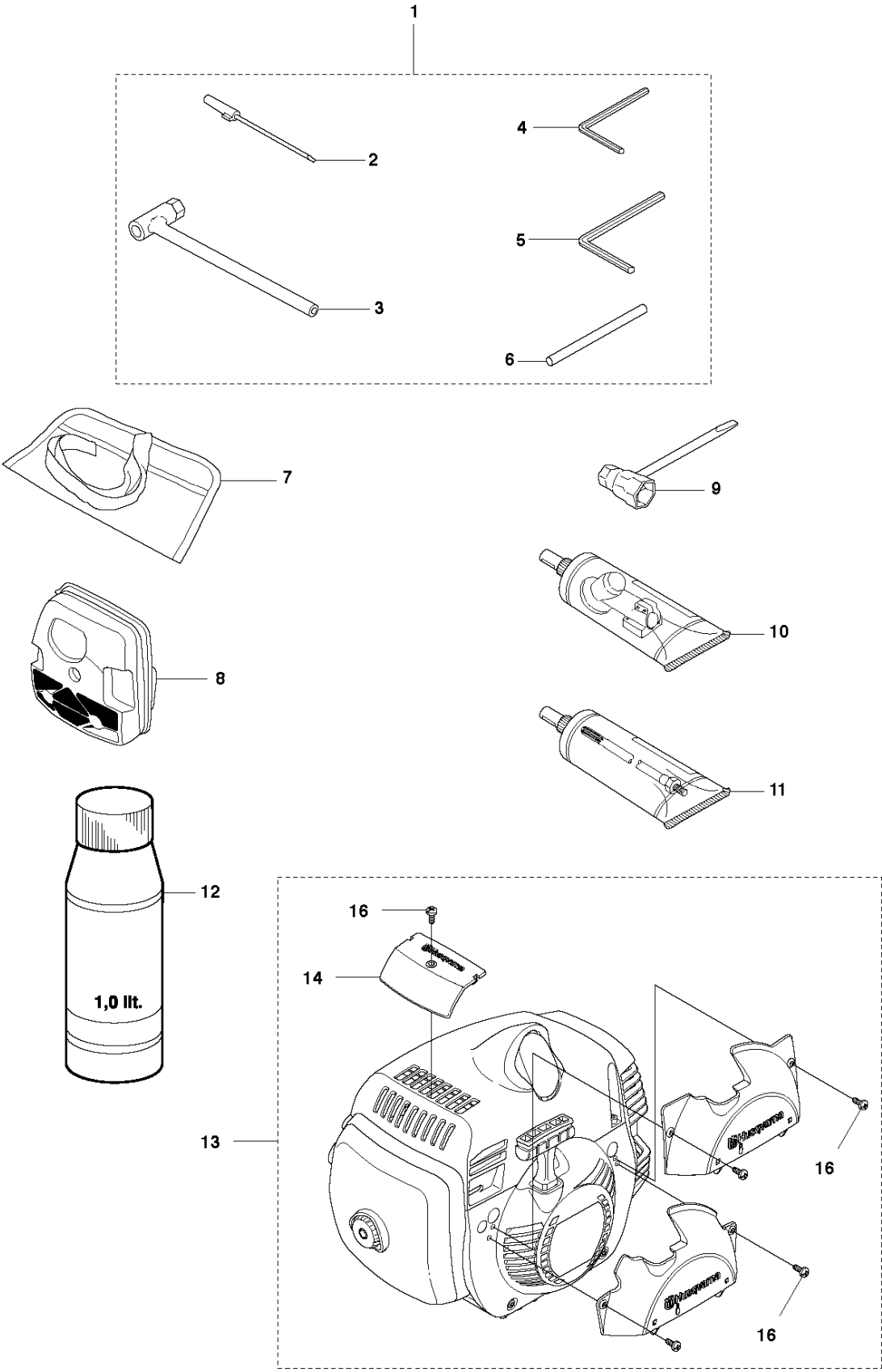


# SPARE PARTS LIST

BRUSHCUTTERS/CLEARING SAWS

343 F, 2011-02

**R1** 343R, F, FR, 345Rx, Fx, FxT  
ACCESSORIES

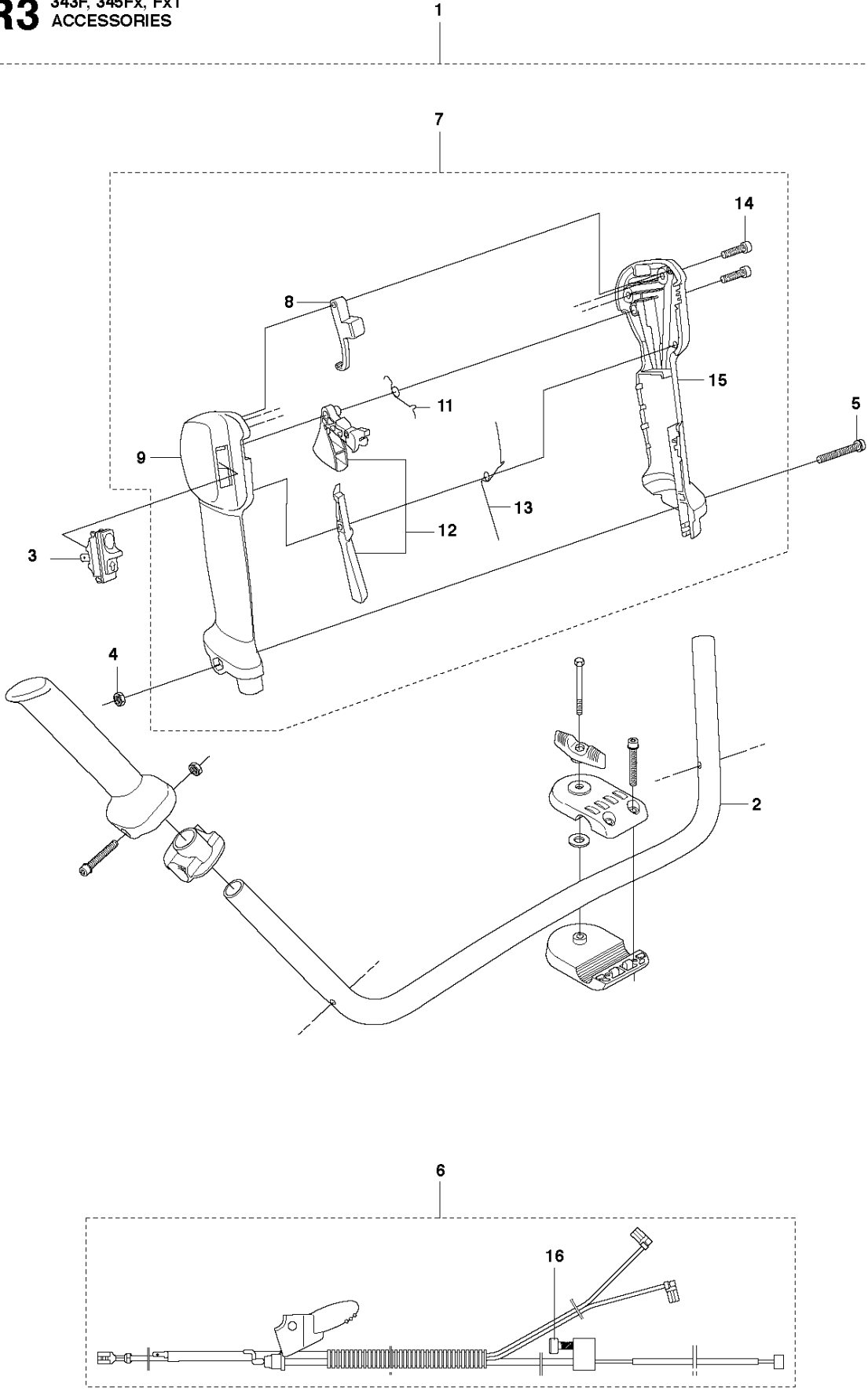


## ACCESSORIES

343 F, 2011-02

| Ref | Part No      | Description        | Remark                  | QTY | KIT |
|-----|--------------|--------------------|-------------------------|-----|-----|
| 1   | 502 21 60-13 | ACCESSORY BAG      |                         | 1   |     |
| 2   | 501 60 02-03 | SCREWDRIVER        |                         | 1   | 1   |
| 3   | 502 11 46-03 | KEY                |                         | 1   | 1   |
| 4   | 502 21 58-01 | WRENCH             | 4 mm                    | 1   | 1   |
| 5   | 503 55 86-02 | SPANNER            | 5 mm                    | 1   | 1   |
| 6   | 502 28 59-01 | STOP               |                         | 1   | 1   |
| 7   | 501 19 22-01 | TOOL               |                         | 1   |     |
| 8   | 537 38 11-01 | FILTER             | NYLON $\mu$ 80 = Black  | 1   |     |
| 8   | 537 38 11-02 | FILTER             | NYLON $\mu$ 44 = Yellow | 1   |     |
| 8   | 537 38 11-03 | FILTER             | FELT = White            | 1   |     |
| 8   | 537 38 11-04 | FILTER             | NYLON $\mu$ 100 = Grey  | 1   |     |
| 9   | 501 69 17-01 | COMBINATION WRENCH |                         | 1   |     |
| 10  | 503 97 64-01 | GREASE             |                         | 1   |     |
| 11  | 503 80 17-01 | GREASE             |                         | 1   |     |
| 12  | 531 00 92-48 | FILTER OIL         | Oil Airfilter 1.0 litre | 1   |     |
| 13  | 537 23 84-01 | WINTER KIT         | Winter Kit              | 1   |     |
| 14  | 537 17 87-01 | WINTER COVER       |                         | 1   | 13  |
| 16  | 503 21 70-10 | SCREW CCRPANT      |                         | 3   | 13  |

**R3** 343F, 345Fx, FxT  
ACCESSORIES

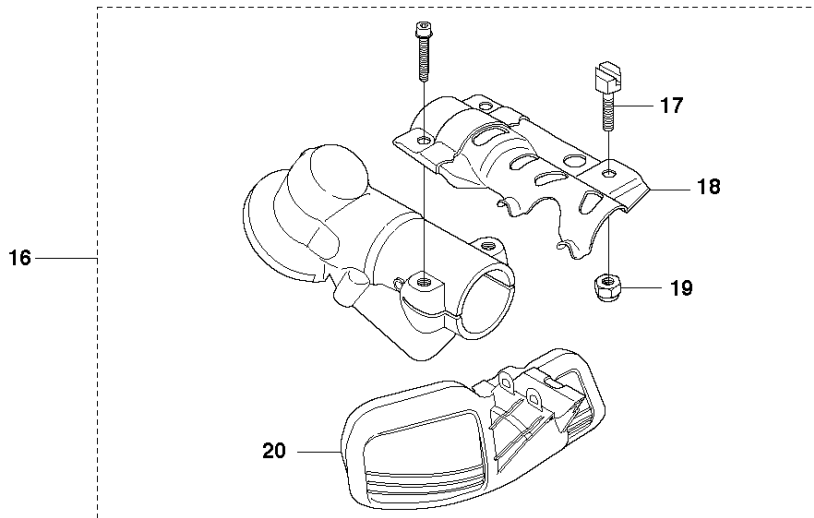
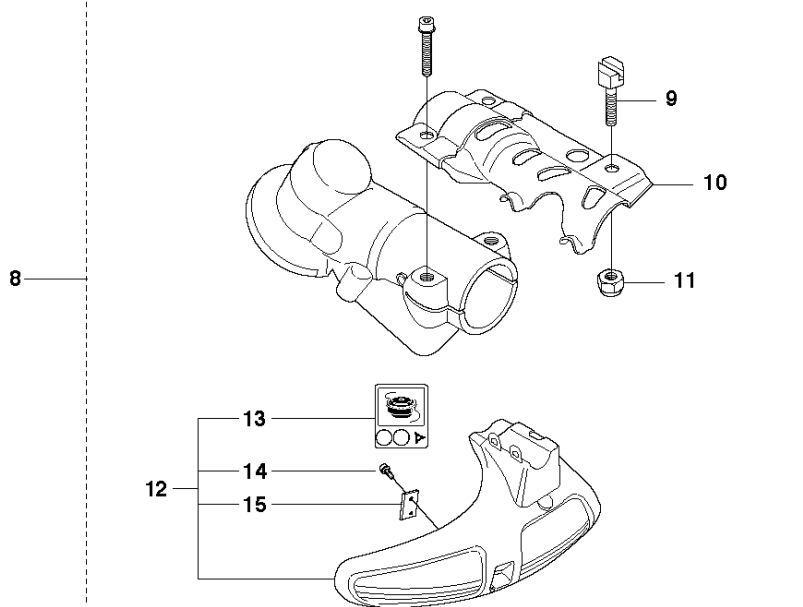
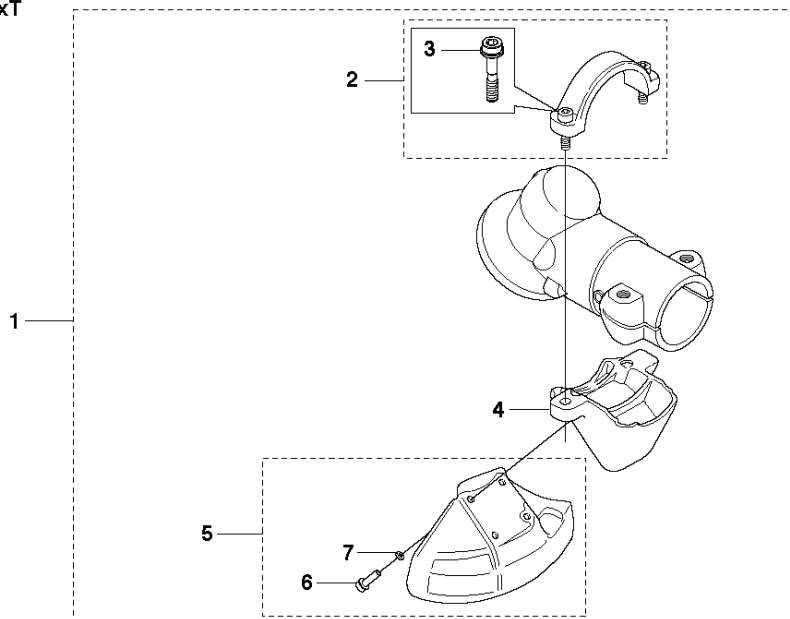


## ACCESSORIES

343 F, 2011-02

| Ref | Part No      | Description          | Remark            | QTY | KIT   |
|-----|--------------|----------------------|-------------------|-----|-------|
| 1   | 510 11 88-01 | KIT                  | F, Fx, FxT Canada | 1   |       |
| 2   | 503 95 86-03 | HANDLEBAR            |                   | 1   | 1     |
| 3   | 537 41 90-01 | SWITCH               |                   | 1   | 1     |
| 4   | 503 22 10-13 | HEXAGON NUT          |                   | 1   | 1     |
| 5   | 503 20 07-35 | SCREW IHSCFM         |                   | 1   | 1     |
| 6   | 544 97 78-02 | WIRING ASSY          |                   | 1   | 1     |
| 7   | 504 20 98-04 | THROTTLE HANDLE ASSY |                   | 1   | 1     |
| 8   | 537 16 07-01 | STARTER THROTTLE LOC |                   | 1   | 1,7   |
| 9   | 537 18 07-11 | HANDLE HALF          |                   | 1   | 1,7   |
| 11  | 537 17 42-01 | SPRING THROTTLE TRIG |                   | 1   | 1,7   |
| 12  | 506 49 77-01 | THROTTLE CONTROL     |                   | 1   | 1,7   |
| 13  | 537 17 43-01 | SPRING               |                   | 1   | 1,7   |
| 14  | 503 21 66-18 | SCREW IHSCCT         |                   | 2   | 1,7   |
| 15  | 537 18 08-11 | HANDLE HALF          |                   | 1   | 1,7   |
| 16  | 503 21 66-16 | SCREW IHSCCT         |                   | 1   | 1,6,7 |

**R4** 343R, F, FR, 345Rx, Fx, FxT  
ACCESSORIES

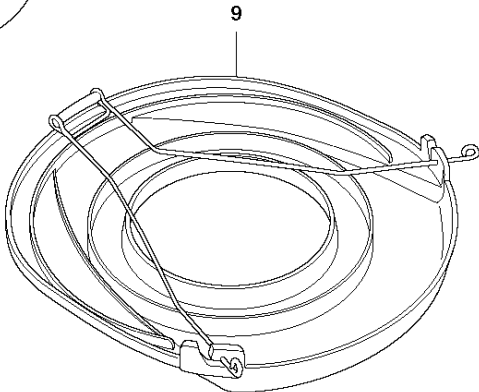
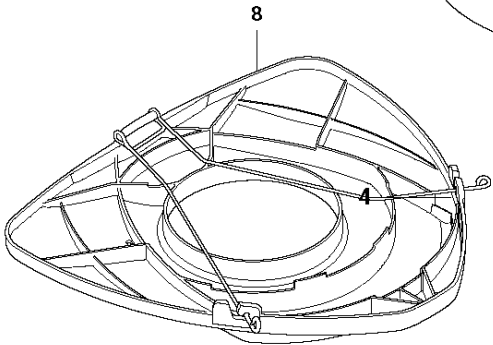
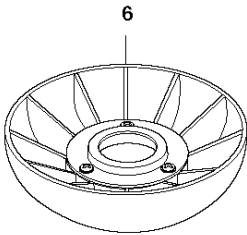
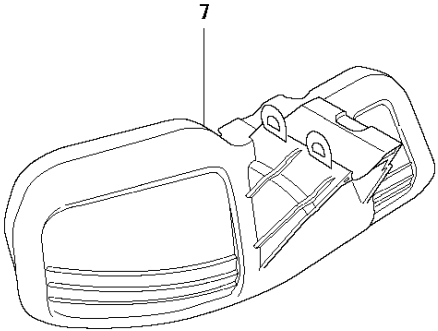
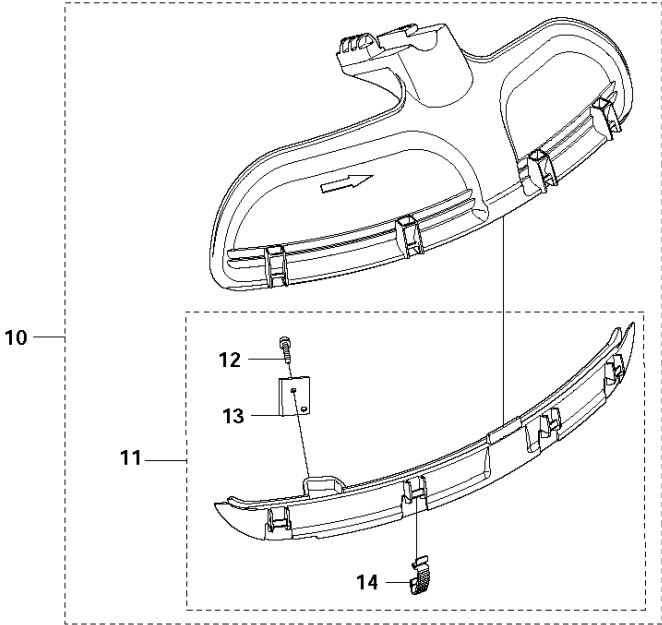
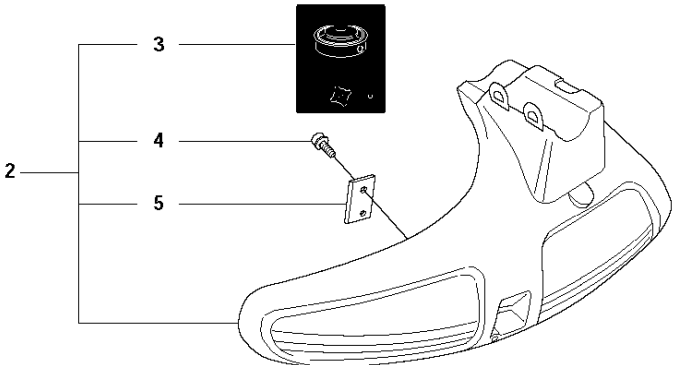
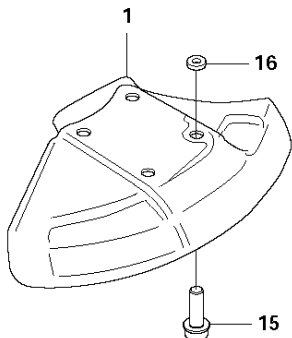


## ACCESSORIES

343 F, 2011-02

| Ref | Part No      | Description       | Remark                        | QTY KIT |      |
|-----|--------------|-------------------|-------------------------------|---------|------|
| 1   | 537 31 09-02 | SAW BLADE GUARD   | R, Rx, FR                     | 1       |      |
| 2   | 574 55 54-01 | CLAMP             | Spare part with Captive Screw | 1       | 1    |
| 3   | 573 99 43-04 | SCREW IHSCFMO     | Captive Screw                 | 2       | 1,2  |
| 4   | 504 00 33-01 | ADAPTER           |                               | 1       | 1    |
| 5   | 537 21 71-04 | BLADE GUARD       | 200mm                         | 1       | 1    |
| 6   | 503 20 03-16 | SCREW IHSCFM      |                               | 4       | 1,5  |
| 7   | 574 03 95-01 | LOCKING NUT       |                               | 4       | 1,5  |
| 8   | 537 29 73-01 | TRIMMER GUARD     | F, Fx, FxT                    | 1       |      |
| 9   | 537 18 95-01 | SCREW             |                               | 1       | 8    |
| 10  | 537 23 03-01 | ATTACHMENT PLATE  |                               | 1       | 8    |
| 11  | 732 21 16-01 | NUT               |                               | 1       | 8    |
| 12  | 503 95 43-02 | TRIMMER GUARD     |                               | 1       | 8    |
| 13  | 503 74 29-01 | DECAL             |                               | 1       | 8,12 |
| 14  | 503 21 07-16 | SCREW IHSCF       |                               | 1       | 8,12 |
| 15  | 537 28 53-01 | BLADE             |                               | 1       | 8,12 |
| 16  | 537 29 74-01 | GRASS BLADE GUARD | F, Fx, FxT                    | 1       |      |
| 17  | 537 18 95-01 | SCREW             |                               | 1       | 16   |
| 18  | 537 23 03-01 | ATTACHMENT PLATE  |                               | 1       | 16   |
| 19  | 732 21 16-01 | NUT               |                               | 1       | 16   |
| 20  | 537 28 85-01 | GRASS BLADE GUARD |                               | 1       | 16   |

**R2** 343R, F, FR, 345Rx, Fx, FxT  
ACCESSORIES



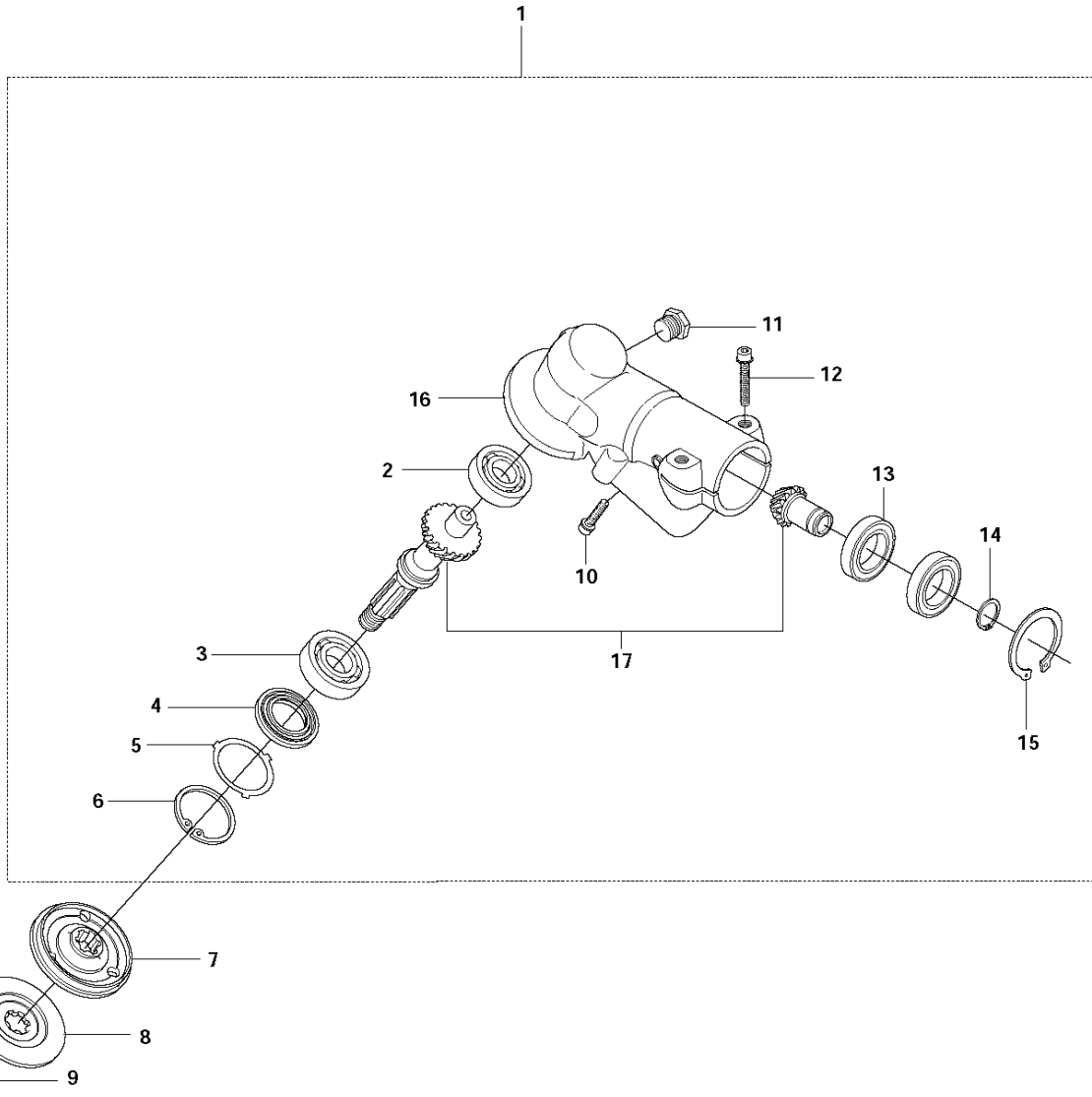


## ACCESSORIES

343 F, 2011-02

| Ref | Part No      | Description       | Remark                      | QTY | KIT |
|-----|--------------|-------------------|-----------------------------|-----|-----|
| 1   | 574 50 67-02 | SAW BLADE GUARD   | 225 mm Sawblade guard       | 1   |     |
| 1   | 574 53 26-01 | BLADE GUARD       | 200 mm Sawblade guard       | 1   |     |
| 2   | 503 95 43-01 | TRIMMER GUARD     | Trimmer guard               | 1   |     |
| 3   | 503 74 29-01 | DECAL             |                             | 1   | 2   |
| 4   | 503 21 07-16 | SCREW IH SCT      |                             | 1   | 2   |
| 5   | 503 79 88-01 | BLADE             |                             | 1   | 2   |
| 6   | 502 15 70-02 | SUPPORT CUP       |                             | 1   |     |
| 7   | 537 28 85-01 | GRASS BLADE GUARD | Grassblade guard            | 1   |     |
| 8   | 544 35 91-01 | TRANSPORT GUARD   | 300-350 mm, Transport guard | 1   |     |
| 9   | 537 31 29-01 | TRANSPORT GUARD   | 200-275 mm, Transport guard | 1   |     |
| 10  | 544 46 43-01 | COMBI GUARD       | Kombi guard                 | 1   |     |
| 11  | 537 39 63-01 | SPLASH GUARD      |                             | 1   | 10  |
| 12  | 503 21 07-16 | SCREW IH SCT      |                             | 1   | 10  |
| 13  | 503 79 88-01 | BLADE             |                             | 1   | 10  |
| 14  | 537 38 72-01 | SNAP              |                             | 4   | 10  |
| 15  | 503 20 03-16 | SCREW IH SCFM     |                             | 1   |     |
| 16  | 574 03 95-01 | LOCKING NUT       |                             | 1   |     |

**A2** 343F, 345Fx, FxT  
BEVEL GEAR



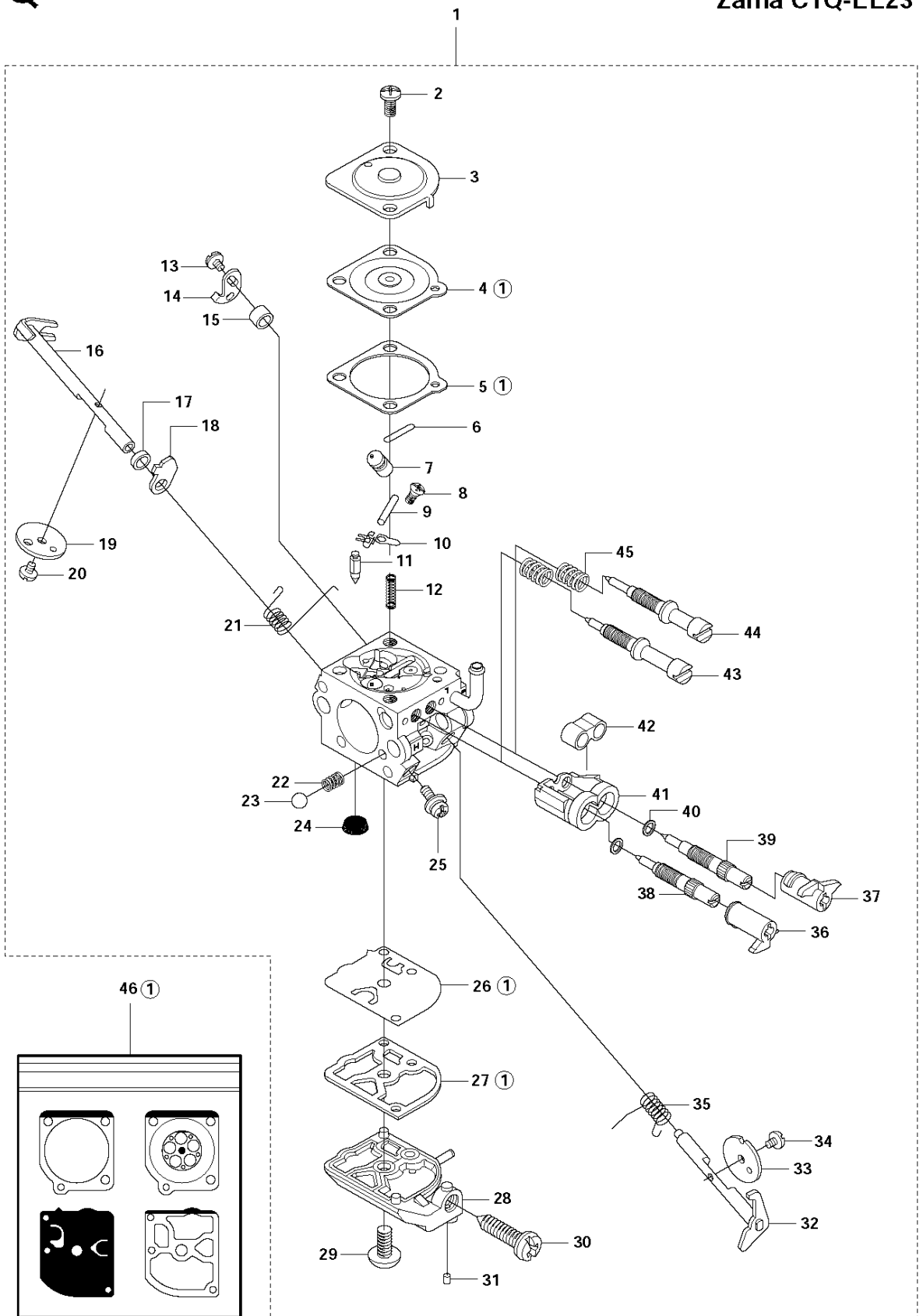
## BEVEL GEAR

343 F, 2011-02

| Ref | Part No      | Description       | Remark     | QTY KIT |   |
|-----|--------------|-------------------|------------|---------|---|
| 1   | 502 29 78-01 | GEAR HOUSING ASSY | F, Fx, FxT | 1       |   |
| 2   | 738 21 01-10 | BALL BEARING      |            | 1       | 1 |
| 3   | 503 25 08-01 | BEARING           |            | 1       | 1 |
| 4   | 503 26 17-01 | SEALING           |            | 1       | 1 |
| 5   | 503 75 89-01 | COVER WASHER      |            | 1       | 1 |
| 6   | 735 31 33-10 | CIRCLIP           |            | 1       | 1 |
| 7   | 544 19 78-01 | DRIVER            | "1""       | 1       |   |
| 8   | 544 21 78-01 | SUPPORT FLANGE    |            | 1       |   |
| 9   | 502 29 11-01 | BLADE             |            | 1       |   |
| 10  | 503 20 03-16 | SCREW IHSCFM      |            | 4       | 1 |
| 11  | 503 20 15-01 | SCREW IHHM        |            | 1       | 1 |
| 12  | 503 20 02-25 | SCREW IHSCFM      |            | 2       | 1 |
| 13  | 738 21 87-12 | BALL BEARING      |            | 2       | 1 |
| 14  | 735 31 17-00 | CIRCLIP           |            | 1       | 1 |
| 15  | 735 31 31-10 | CIRCLIP           |            | 1       | 1 |
| 16  | 502 29 79-01 | GEAR HOUSING      |            | 1       | 1 |
| 17  | 537 29 06-01 | SP PARTS KIT      |            | 1       | 1 |

**Q** 343R, F, FR, 345Rx, Fx, FxT  
CARBURETOR

**Zama C1Q-EL21**  
**Zama C1Q-EL23**

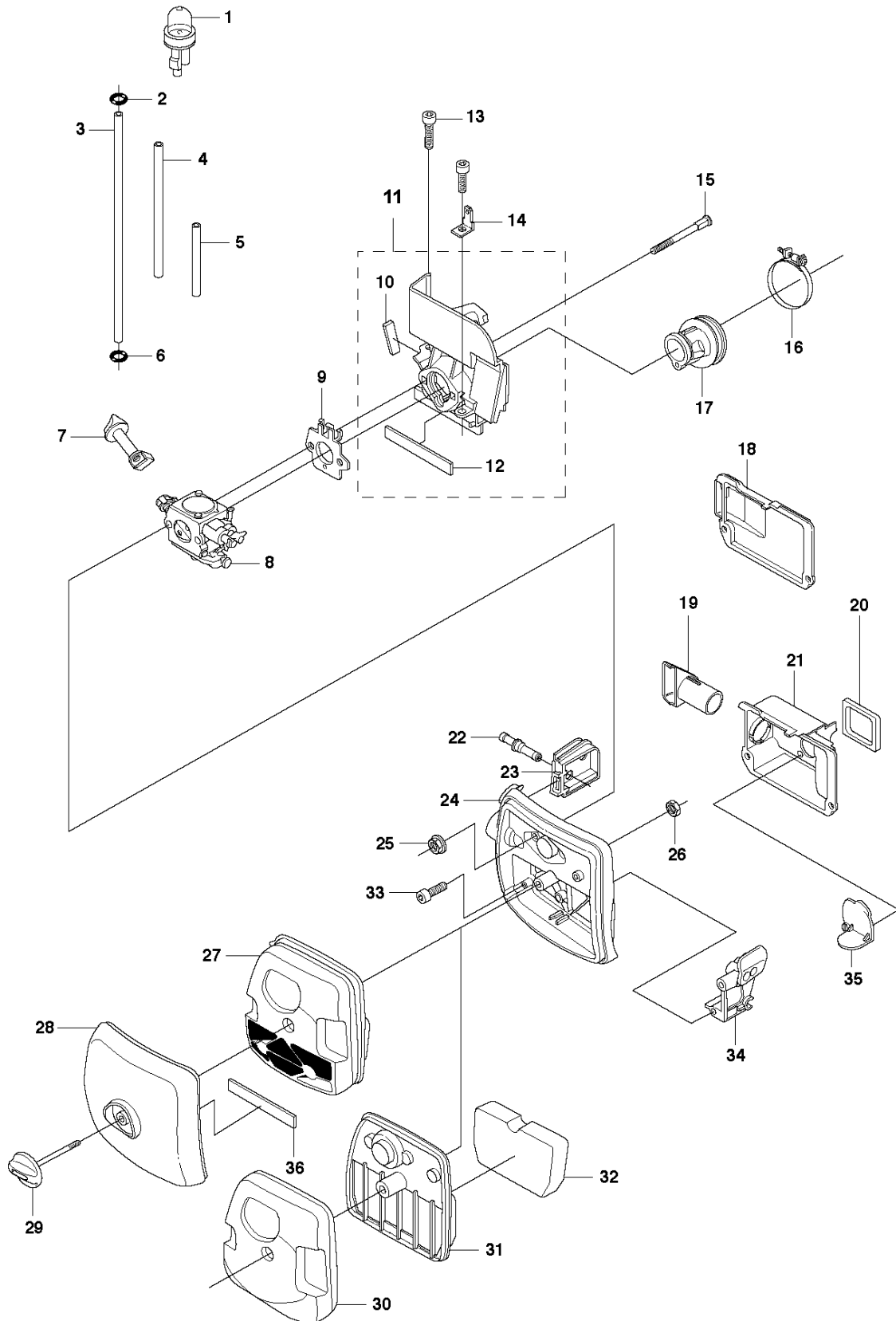


## CARBURETOR

343 F, 2011-02

| Ref | Part No      | Description         | Remark                              | QTY | KIT  |
|-----|--------------|---------------------|-------------------------------------|-----|------|
| 1   | 503 28 31-16 | CARBURETTOR         | Zama C1Q-EL21                       | 1   |      |
| 1   | 503 28 31-18 | CARBURETTOR         | Zama C1Q-EL23 343R<br>South America | 1   |      |
| 2   | 503 48 05-01 | SCREW               |                                     | 2   | 1    |
| 3   | 503 97 43-01 | COVER               |                                     | 1   | 1    |
| 4   | 503 48 02-01 | DIAPHRAGM           |                                     | 1   | 1,46 |
| 5   | 503 48 03-01 | GASKET              |                                     | 1   | 1,46 |
| 6   | 503 53 56-01 | PLUG WELCH          |                                     | 1   | 1    |
| 7   | 544 11 49-01 | NOZZLE ASSY         |                                     | 1   | 1    |
| 8   | 503 48 01-01 | SCREW               |                                     | 1   | 1    |
| 9   | 503 48 00-01 | PIN RETAINING SCREW |                                     | 1   | 1    |
| 10  | 503 66 59-01 | LEVER               |                                     | 1   | 1    |
| 11  | 503 47 97-01 | VALVE               |                                     | 1   | 1    |
| 12  | 537 02 03-01 | SPRING              |                                     | 1   | 1    |
| 13  | 503 47 90-01 | SCREW               |                                     | 1   | 1    |
| 14  | 537 01 98-01 | LEVER               |                                     | 1   | 1    |
| 15  | 503 47 89-01 | COLLAR              |                                     | 1   | 1    |
| 16  | 537 02 09-01 | SHAFT ASSY          |                                     | 1   | 1    |
| 17  | 503 48 19-01 | COLLAR              |                                     | 1   | 1    |
| 18  | 537 04 90-01 | LEVER               |                                     | 1   | 1    |
| 19  | 537 02 11-01 | VALVE               |                                     | 1   | 1    |
| 20  | 503 48 18-01 | SCREW               |                                     | 1   | 1    |
| 21  | 537 02 10-01 | SPRING              |                                     | 1   | 1    |
| 22  | 537 01 26-01 | SPRING              |                                     | 1   | 1    |
| 23  | 537 01 25-01 | BALL                |                                     | 1   | 1    |
| 24  | 503 53 57-01 | STRAINER            |                                     | 1   | 1    |
| 25  | 503 75 53-01 | SCREW               |                                     | 1   | 1    |
| 26  | 537 02 00-01 | DIAPHRAGM PUMP      |                                     | 1   | 1,46 |
| 27  | 537 02 01-01 | GASKET              |                                     | 1   | 1,46 |
| 28  | 537 02 02-01 | COVER               |                                     | 1   | 1    |
| 29  | 503 47 96-01 | SCREW               |                                     | 1   | 1    |
| 30  | 537 02 07-01 | SCREW               |                                     | 1   | 1    |
| 31  | 503 48 11-01 | PIECE               |                                     | 1   | 1    |
| 32  | 537 27 54-01 | SHAFT ASSY          |                                     | 1   | 1    |
| 33  | 537 38 68-01 | VALVE               |                                     | 1   | 1    |
| 34  | 503 47 92-01 | SCREW               |                                     | 1   | 1    |
| 35  | 537 28 71-01 | SPRING              |                                     | 1   | 1    |
| 36  | 503 90 33-01 | LIMITER CAP         | H Zama C1Q-EL21                     | 1   | 1    |
| 37  | 503 90 32-01 | LIMITER CAP         | L Zama C1Q-EL21                     | 1   | 1    |
| 38  | 537 27 56-01 | SCREW               | H Zama C1Q-EL21                     | 1   | 1    |
| 39  | 537 27 55-01 | SCREW               | L Zama C1Q-EL21                     | 1   | 1    |
| 40  | 503 97 40-01 | WASHER              | Zama C1Q-EL21                       | 2   | 1    |
| 41  | 503 90 34-01 | RETAINER            | Zama C1Q-EL21                       | 1   | 1    |
| 42  | 537 27 42-01 | BOOT                | Zama C1Q-EL21                       | 1   | 1    |
| 43  | 537 38 70-01 | SCREW               | Zama C1Q-EL23                       | 1   | 1    |
| 44  | 537 38 69-01 | SCREW               | Zama C1Q-EL23                       | 1   | 1    |
| 45  | 503 48 08-01 | SPRING              | Zama C1Q-EL23                       | 2   | 1    |
| 46  | 537 24 36-01 | GASKET KIT          | Gasket kit                          | 1   |      |

**J** 343R, F, FR, 345Rx, Fx, FxT  
CARBURETOR & AIRFILTER

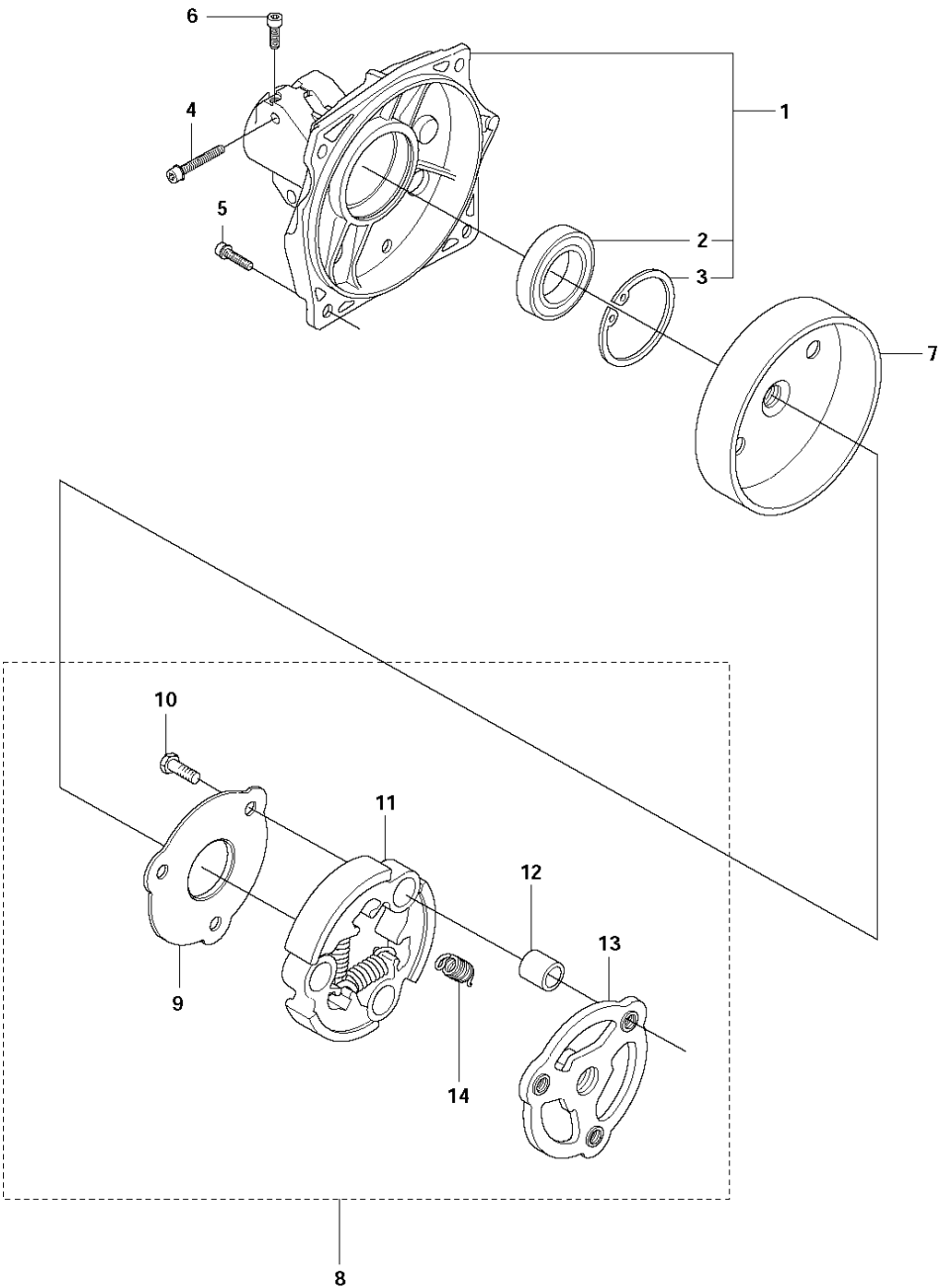


## CARBURETOR &amp; AIR FILTER

343 F, 2011-02

| Ref | Part No      | Description        | Remark                              | QTY | KIT |
|-----|--------------|--------------------|-------------------------------------|-----|-----|
| 1   | 503 93 66-01 | PURGE              |                                     | 1   |     |
| 2   | 537 18 49-01 | O-RING             |                                     | 1   |     |
| 3   | 544 32 49-23 | FUEL HOSE          | L=160 mm                            | 1   |     |
| 4   | 537 04 24-01 | FUEL HOSE          | L=102 mm                            | 1   |     |
| 5   | 537 05 23-03 | FUEL HOSE          | L=35 mm                             | 1   |     |
| 6   | 537 18 49-01 | O-RING             |                                     | 1   |     |
| 7   | 537 11 00-01 | CHOKE CONTROL      |                                     | 1   |     |
| 8   | 503 28 31-16 | CARBURETTOR        | Zama C1Q-EL21                       | 1   |     |
| 8   | 503 28 31-18 | CARBURETTOR        | Zama C1Q-EL23 343R<br>South America | 1   |     |
| 9   | 537 11 01-01 | SPACER             |                                     | 1   |     |
| 10  | 537 22 96-02 | MOULDING           |                                     | 1   | 11  |
| 11  | 537 30 02-01 | INSULATION WALL    |                                     | 1   |     |
| 12  | 537 22 96-01 | MOULDING           |                                     | 1   | 11  |
| 13  | 503 20 03-20 | SCREW IHSCFM       |                                     | 1   |     |
| 14  | 503 23 88-02 | FLAT PIN           |                                     | 1   |     |
| 15  | 544 08 20-02 | SCREW              |                                     | 2   |     |
| 16  | 503 56 00-09 | HOSE CLAMP         |                                     | 1   |     |
| 17  | 503 95 83-01 | BELLOWS            |                                     | 2   |     |
| 18  | 537 27 61-01 | MUFFLER            | FR, R, Rx                           | 1   |     |
| 19  | 537 14 15-01 | AIR INTAKE         | F, Fx, FxT                          | 1   |     |
| 20  | 537 30 93-01 | SEALING            | F, Fx, FxT                          | 1   |     |
| 21  | 537 10 99-02 | MUFFLER            | F, Fx, FxT                          | 1   |     |
| 22  | 537 28 46-01 | NIPPLE             |                                     | 1   |     |
| 23  | 537 16 59-01 | GROMMET            |                                     | 1   |     |
| 24  | 503 95 81-01 | FILTER HOLDER      |                                     | 1   |     |
| 25  | 731 71 14-51 | HEXAGON NUT FLANGE |                                     | 1   |     |
| 26  | 731 23 14-05 | HEXAGON NUT        |                                     | 1   |     |
| 27  | 537 38 11-01 | FILTER             | μ80 Black F, Fx, FxT                | 2   |     |
| 28  | 537 30 76-02 | FILTER COVER ASSY  |                                     | 2   |     |
| 29  | 537 21 32-12 | KNOB               |                                     | 1   |     |
| 30  | 503 95 80-01 | HUB CAP            | R, Rx, FR                           | 1   |     |
| 31  | 503 95 79-01 | RETAINER           | R, Rx, FR                           | 1   |     |
| 32  | 537 42 71-01 | AIR FILTER         | R, Rx, FR                           | 1   |     |
| 33  | 503 20 03-20 | SCREW IHSCFM       |                                     | 1   |     |
| 34  | 537 14 13-01 | CHISEL GUIDE       |                                     | 1   |     |
| 35  | 537 14 14-01 | HUB CAP            | F, Fx, FxT, FR                      | 2   |     |
| 36  | 537 22 96-03 | MOULDING           |                                     | 1   |     |

**F** 343R, F, FR, 345Rx, Fx, FxT  
CLUTCH

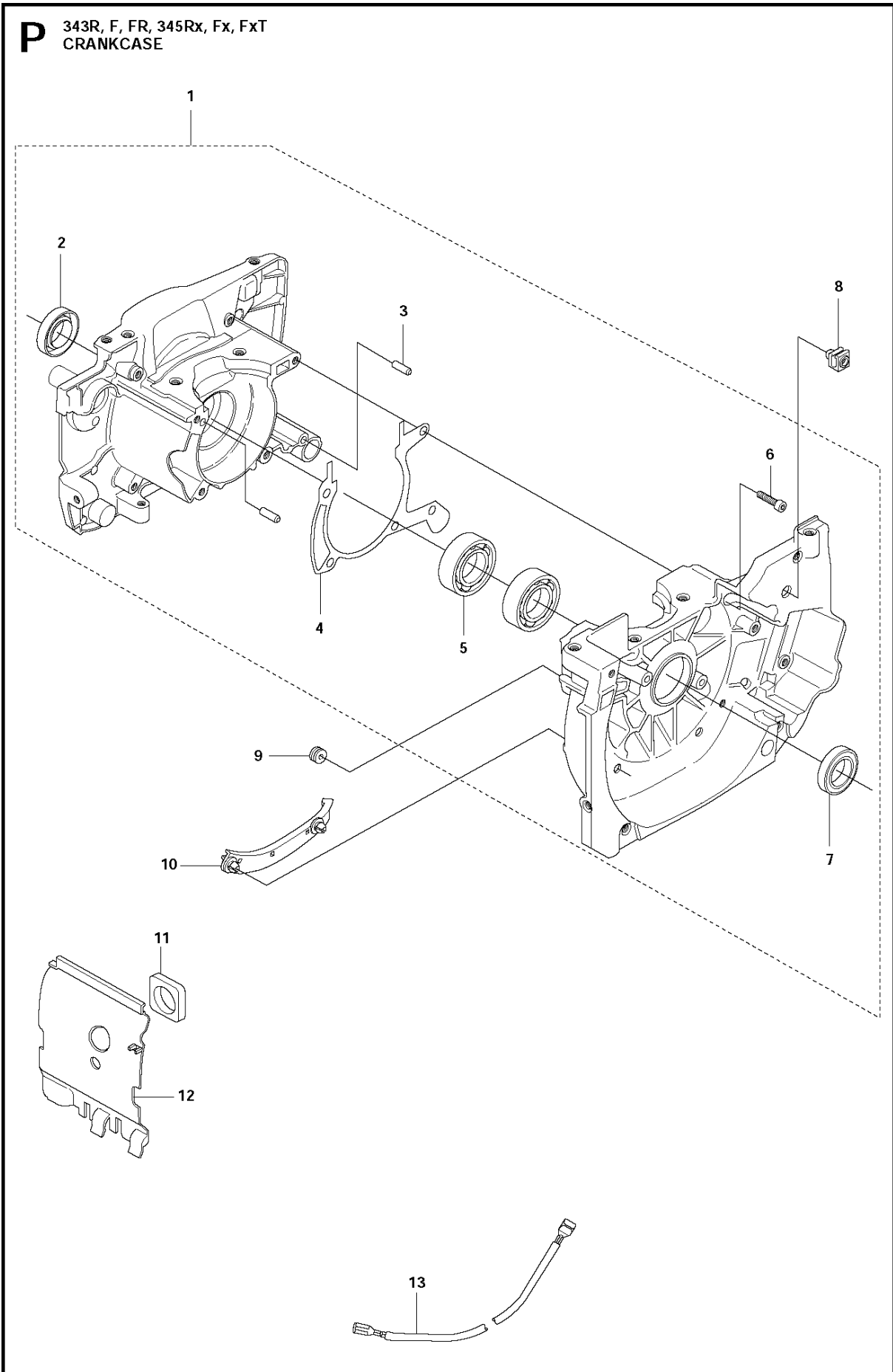




## CLUTCH

343 F, 2011-02

| Ref | Part No      | Description      | Remark | QTY KIT |   |
|-----|--------------|------------------|--------|---------|---|
| 1   | 503 95 41-03 | CLUTCH COVER     |        | 1       |   |
| 2   | 738 22 02-19 | BALL BEARING     |        | 1       | 1 |
| 3   | 735 31 33-10 | CIRCLIP          |        | 1       | 1 |
| 4   | 503 20 02-30 | SCREW IHSCFM     |        | 2       |   |
| 5   | 503 20 02-20 | SCREW IHSCFM     |        | 4       |   |
| 6   | 503 20 20-01 | SCREW IHSCM      |        | 1       |   |
| 7   | 544 90 07-01 | CLUTCH DRUM ASSY |        | 1       |   |
| 8   | 503 95 35-01 | CLUTCH ASSY      |        | 1       |   |
| 9   | 537 13 53-01 | WASHER           |        | 1       | 8 |
| 10  | 503 20 18-18 | SCREW EHHM       |        | 3       | 8 |
| 11  | 503 95 36-01 | CLUTCH SHOE      |        | 3       | 8 |
| 12  | 537 13 54-01 | BEARING BUSH     |        | 3       | 8 |
| 13  | 503 95 37-01 | CLUTCH HUB       |        | 1       | 8 |
| 14  | 505 43 53-01 | CLUTCH SPRING    | ø1.7mm | 3       | 8 |

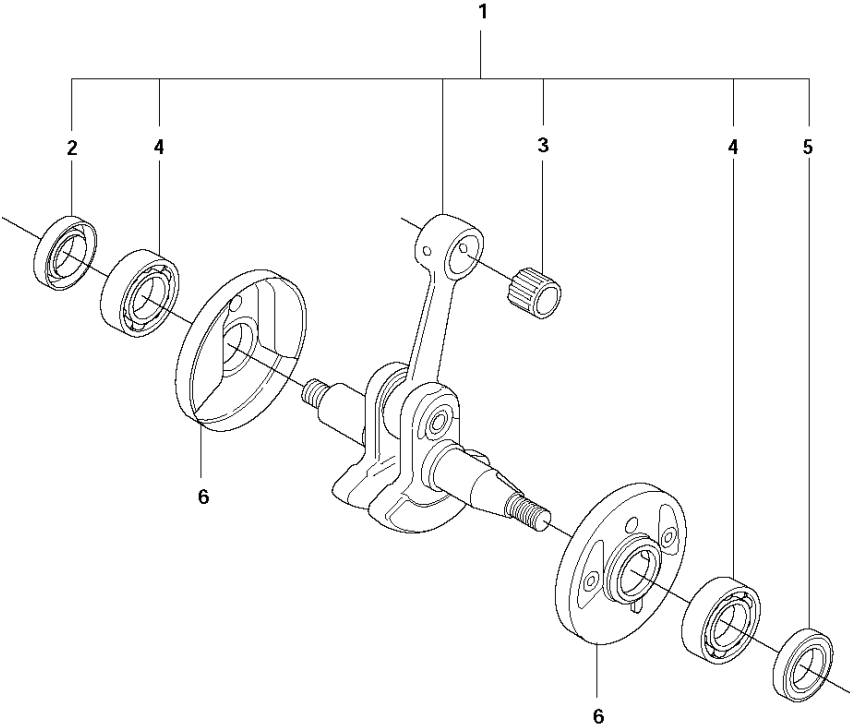


## CRANKCASE

343 F, 2011-02

| Ref | Part No      | Description         | Remark         | QTY | KIT |
|-----|--------------|---------------------|----------------|-----|-----|
| 1   | 537 23 04-01 | CRANKCASE           |                | 1   |     |
| 2   | 503 26 02-04 | SEALING RING        |                | 1   | 1   |
| 3   | 720 13 07-10 | PARALLEL PIN        |                | 2   | 1   |
| 4   | 503 94 80-01 | GASKET              |                | 1   | 1   |
| 5   | 503 25 08-01 | BEARING             |                | 2   | 1   |
| 6   | 725 53 31-55 | SCREW IHSCM         |                | 4   | 1   |
| 7   | 505 27 57-19 | SEALING RING        |                | 1   | 1   |
| 8   | 502 08 96-01 | CABLE HOLDER        |                | 1   |     |
| 9   | 503 73 58-01 | BUSHING             |                | 1   |     |
| 10  | 537 28 05-01 | CABLE HOLDER        |                | 1   |     |
| 11  | 537 30 94-01 | SEALING             | F, Fx, FxT, FR | 1   |     |
| 12  | 537 27 94-01 | WALL                | R, Rx          | 1   |     |
| 12  | 537 30 99-01 | WALL                | F, Fx, FxT, FR | 1   |     |
| 13  | 537 39 10-01 | SHORT CIRCUIT CABLE |                | 1   |     |

**N** 343R, F, FR, 345Rx, Fx, FxT  
CRANK SHAFT

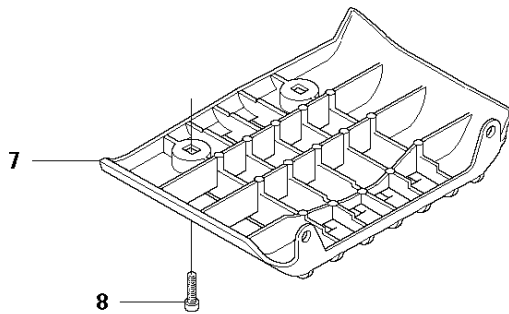
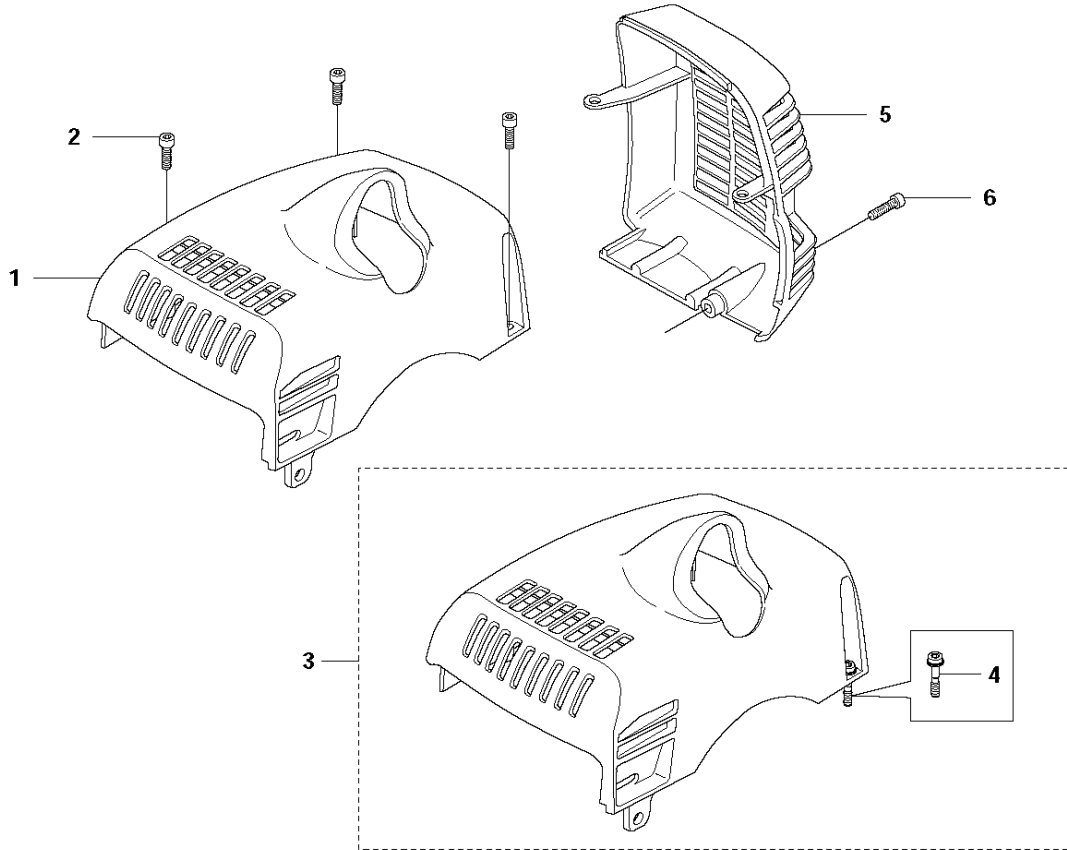


## CRANKSHAFT

343 F, 2011-02

| Ref | Part No      | Description    | Remark  | QTY | KIT |
|-----|--------------|----------------|---------|-----|-----|
| 1   | 537 18 97-02 | CRANKSHAFT     |         | 1   |     |
| 2   | 503 26 02-04 | SEALING RING   |         | 1   | 1   |
| 3   | 501 45 16-01 | NEEDLE BEARING |         | 1   | 1   |
| 4   | 503 25 08-01 | BEARING        |         | 2   | 1   |
| 5   | 505 27 57-19 | SEALING RING   |         | 1   | 1   |
| 6   | 537 15 85-01 | CUP            | Fx, FxT | 2   |     |

**G** 343R, F, FR, 345Rx, Fx, FxT  
CYLINDER COVER

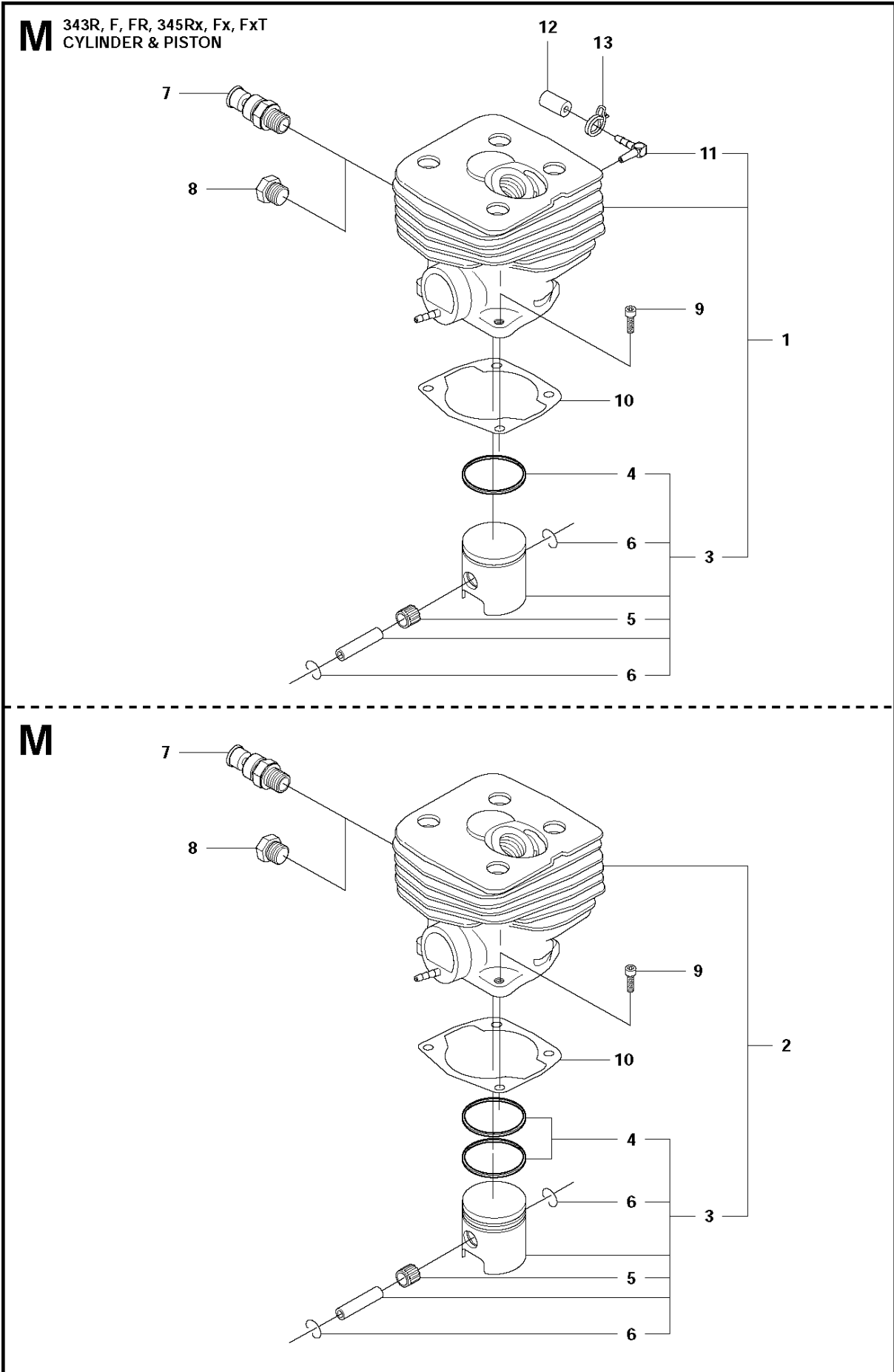


- 14 — **Husqvarna**  
**343FR**
- 13 — **Husqvarna**  
Each **X-Series**  
**345R**
- 12 — **Husqvarna**  
**343R**
- 11 — **Husqvarna**  
Each **X-Series**  
**345F**
- 10 — **Husqvarna**  
Each **X-Series**  
**345F**
- 9 — **Husqvarna**  
**343F**

## CYLINDER COVER

343 F, 2011-02

| Ref | Part No      | Description         | Remark                        | QTY | KIT |
|-----|--------------|---------------------|-------------------------------|-----|-----|
| 1   | 503 94 75-03 | CYLINDER COVER      |                               | 1   |     |
| 2   | 503 20 03-02 | SCREW IHSCFM        |                               | 3   |     |
| 3   | 575 58 02-01 | CYLINDER COVER ASSY | Spare part with Captive Screw | 1   |     |
| 4   | 574 47 70-04 | SCREW IHSCFMO       | Captive Screw                 | 3   | 3   |
| 5   | 503 94 77-01 | HEAT PROTECTOR      |                               | 1   |     |
| 6   | 503 20 03-02 | SCREW IHSCFM        |                               | 1   |     |
| 7   | 537 16 61-01 | PROTECTIVE COVER    |                               | 1   |     |
| 8   | 503 20 03-02 | SCREW IHSCFM        |                               | 2   |     |
| 9   | 537 35 68-01 | LABEL               | F                             | 1   |     |
| 10  | 537 35 68-02 | LABEL               | Fx                            | 1   |     |
| 11  | 537 35 68-03 | LABEL               | FxT                           | 1   |     |
| 12  | 537 35 68-04 | LABEL               | R                             | 1   |     |
| 13  | 537 35 68-05 | LABEL               | Rx                            | 1   |     |
| 14  | 537 35 68-07 | LABEL               | FR                            | 1   |     |



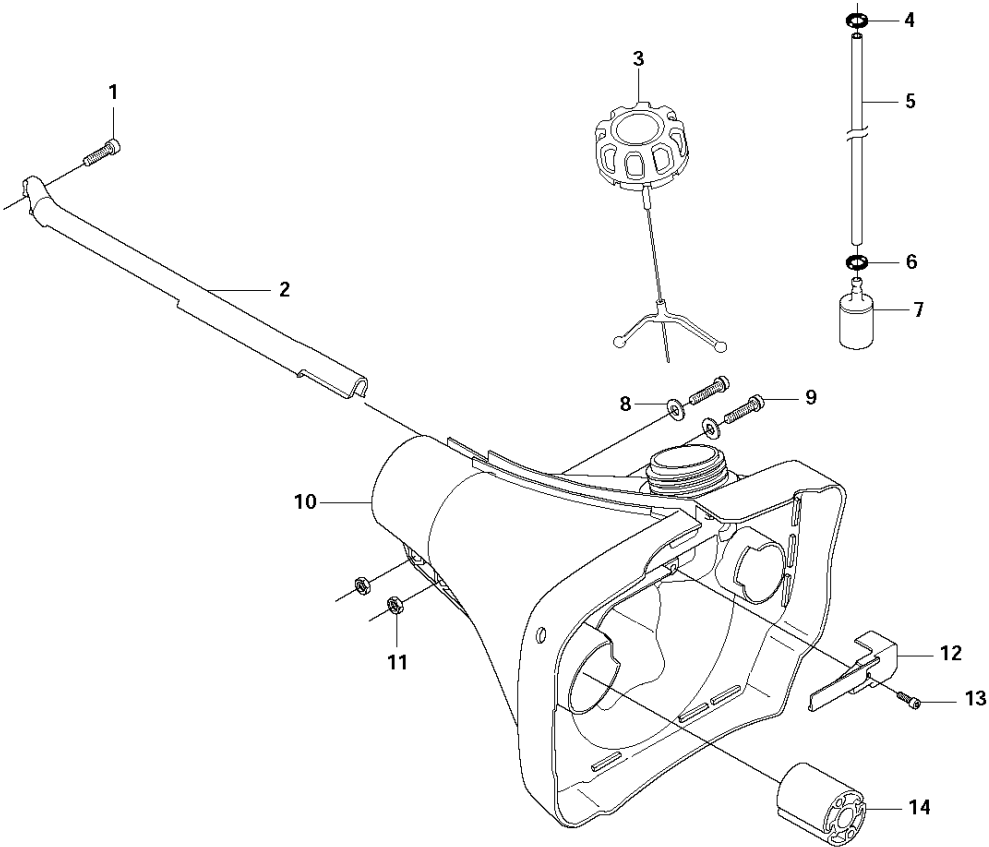


## CYLINDER PISTON

343 F, 2011-02

| Ref | Part No      | Description         | Remark                  | QTY | KIT   |
|-----|--------------|---------------------|-------------------------|-----|-------|
| 1   | 503 95 64-02 | CYLINDER ASSY       | Fx, FxT ø41mm 43cc      | 1   |       |
| 2   | 505 03 48-04 | CYLINDER ASSY       | F, FR, R, Rx ø42mm 45cc | 1   |       |
| 3   | 537 15 94-02 | PISTON ASSY         | Fx, FxT ø41mm 43cc      | 1   | 1     |
| 3   | 544 09 30-02 | PISTON ASSY         | F, FR, R, Rx ø42mm 45cc | 1   | 2     |
| 4   | 503 28 90-45 | PISTON RING         | Fx, FxT ø41mm 43cc      | 1   | 1,3   |
| 4   | 506 44 94-01 | PISTON RING         | F, FR, R, Rx ø42mm 45cc | 2   | 2,3   |
| 5   | 501 45 16-01 | NEEDLE BEARING      |                         | 1   | 1,2,3 |
| 6   | 737 44 10-00 | SNAP RING           |                         | 2   | 1,2,3 |
| 7   | 503 66 54-01 | DECOMPRESSION VALVE |                         | 1   |       |
| 8   | 503 55 22-01 | PLUG                |                         | 1   |       |
| 9   | 725 53 31-55 | SCREW IHSCM         |                         | 4   |       |
| 10  | 503 95 27-01 | GASKET              |                         | 1   |       |
| 11  | 504 34 00-04 | FITTING             | Fx, FxT                 | 1   | 1     |
| 12  | 537 18 00-01 | PROTECTIVE CAP      | Fx, FxT                 | 1   |       |
| 13  | 537 32 09-01 | HOSE CLAMP          | Fx, FxT                 | 1   |       |

**E** 343R, F, FR, 345Rx, Fx, FxT  
FUEL TANK

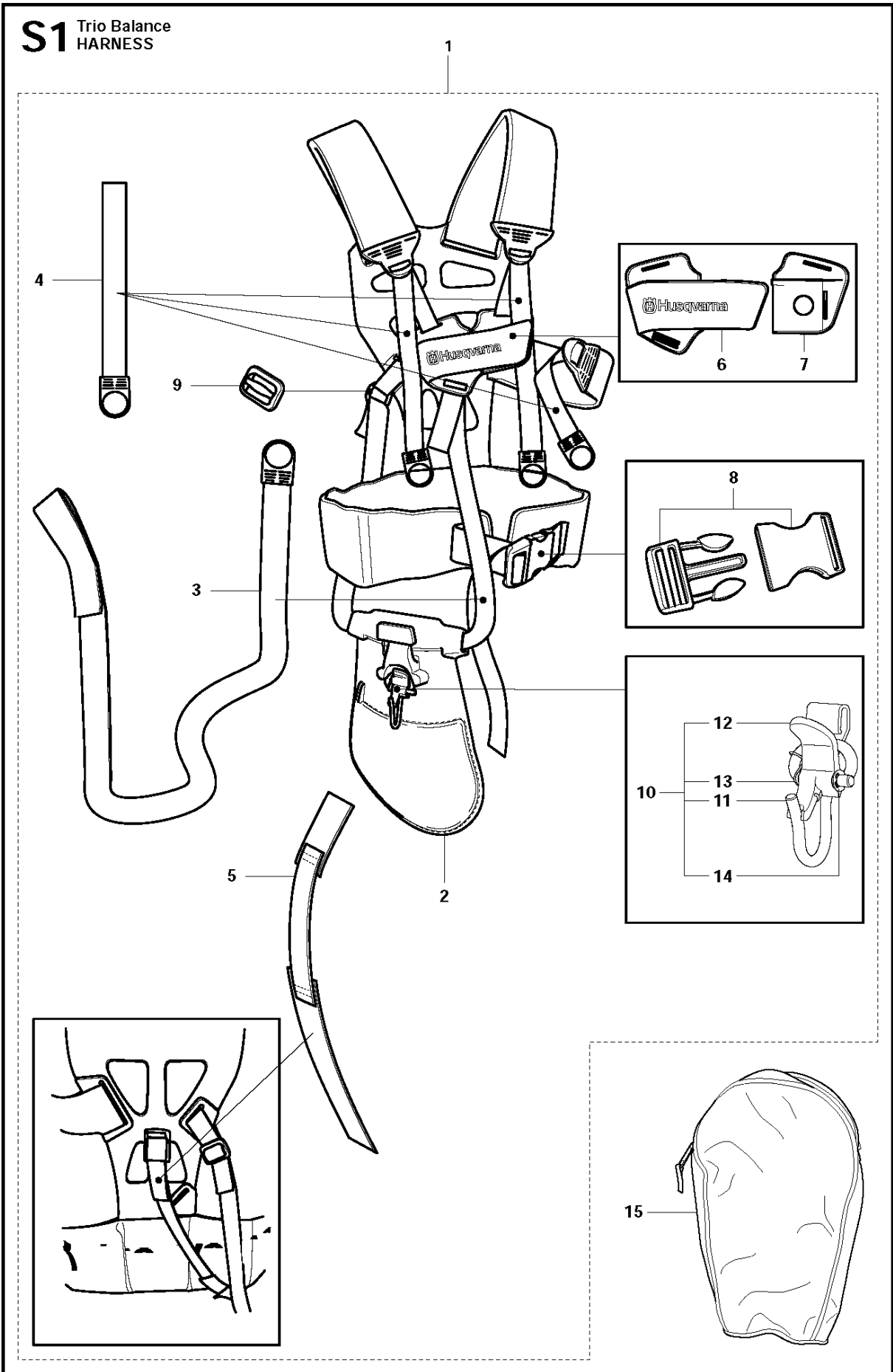


## FUEL TANK

343 F, 2011-02

| Ref | Part No      | Description           | Remark                    | QTY KIT |
|-----|--------------|-----------------------|---------------------------|---------|
| 1   | 503 20 02-16 | SCREW IHSCFM          |                           | 1       |
| 2   | 537 17 25-02 | COVER                 | F, Fx, FxT, FR            | 1       |
| 2   | 537 17 25-01 | COVER                 | R, Rx                     | 1       |
| 2   | 502 43 33-01 | WIRING PROTECTION     | R, (Composite suspension) | 1       |
| 3   | 544 07 69-02 | TANK CAP              |                           | 1       |
| 4   | 537 18 49-01 | O-RING                |                           | 1       |
| 5   | 544 32 49-33 | FUEL HOSE             |                           | 1       |
| 6   | 537 18 49-01 | O-RING                |                           | 1       |
| 7   | 503 44 32-01 | FUEL FILTER           |                           | 1       |
| 8   | 503 23 00-11 | WASHER                |                           | 2       |
| 9   | 503 20 02-16 | SCREW IHSCFM          |                           | 2       |
| 10  | 503 94 93-01 | FUEL TANK             |                           | 1       |
| 11  | 503 22 10-12 | HEXAGON NUT           |                           | 2       |
| 12  | 537 21 99-01 | HOSE GUARD            |                           | 1       |
| 13  | 503 21 71-16 | SCREW IHST            |                           | 1       |
| 14  | 510 20 87-01 | ANTIVIBRATION ELEMENT |                           | 2       |

**S1** Trio Balance  
HARNESS



## HARNES

343 F, 2011-02

| Ref | Part No      | Description | Remark                | QTY | KIT |
|-----|--------------|-------------|-----------------------|-----|-----|
| 1   | 504 04 52-01 | HARNES      | Fx, FxT, FR, Rx       | 1   |     |
| 1   | 505 40 62-01 | HARNES      | US                    | 1   | 1   |
| 2   | 544 90 17-01 | HIP PAD     |                       | 1   | 1   |
| 3   | 503 99 61-04 | BAND        |                       | 1   | 1   |
| 4   | 503 99 61-01 | BAND        |                       | 3   | 1   |
| 5   | 537 15 35-01 | STRAP       |                       | 1   | 1   |
| 6   | 537 28 84-01 | FRONT PIECE |                       | 1   | 1   |
| 7   | 537 28 83-01 | FRONT PIECE |                       | 1   | 1   |
| 8   | 537 33 15-01 | BUCKLE      |                       | 1   | 1   |
| 9   | 537 11 35-01 | RETAINER    |                       | 1   | 1   |
| 10  | 544 96 07-02 | WELT HOOK   |                       | 1   | 1   |
| 11  | 502 02 29-02 | HOOK        |                       | 1   | 1,1 |
| 12  | 502 02 30-02 | LOCK        |                       | 1   | 1,1 |
| 13  | 502 02 38-01 | SPRING      |                       | 1   | 1,1 |
| 14  | 735 31 09-20 | E-CLIP      |                       | 1   | 1,1 |
| 15  | 537 30 66-01 | BAG         | Trio Balance Tool bag | 1   |     |

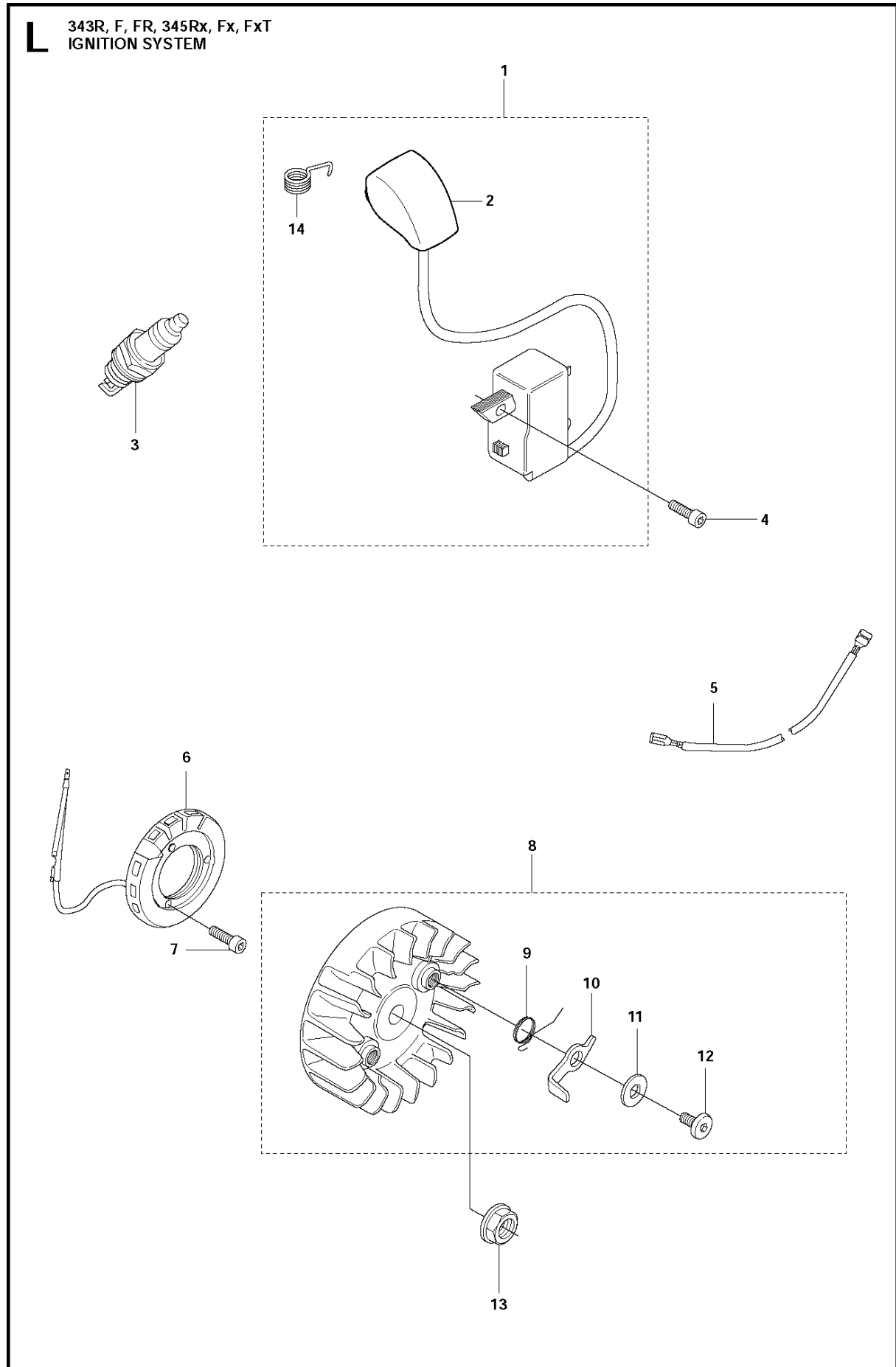


## HARNESS

343 F, 2011-02

| Ref | Part No      | Description | Remark   | QTY KIT |     |
|-----|--------------|-------------|----------|---------|-----|
| 1   | 537 27 57-01 | HARNESS     | F, FR, R | 1       |     |
| 1   | 537 27 57-03 | HARNESS     | US       | 1       |     |
| 2   | 503 99 61-01 | BAND        |          | 3       | 1   |
| 3   | 537 11 35-01 | RETAINER    |          | 1       | 1   |
| 4   | 503 99 61-03 | BAND        |          | 1       | 1   |
| 5   | 502 02 28-01 | HOOK        |          | 1       | 1   |
| 6   | 502 02 30-02 | LOCK        |          | 1       | 1,5 |
| 7   | 502 02 38-01 | SPRING      |          | 1       | 1,5 |
| 8   | 502 02 29-02 | HOOK        |          | 1       | 1,5 |
| 9   | 735 31 09-20 | E-CLIP      |          | 1       | 1,5 |
| 10  | 537 17 54-01 | HIP PAD     |          | 3       | 1   |
| 11  | 537 27 59-01 | HIP PAD     |          | 1       | 1   |
| 12  | 537 28 84-01 | FRONT PIECE |          | 1       | 1   |
| 13  | 537 28 83-01 | FRONT PIECE |          | 1       | 1   |

**L** 343R, F, FR, 345Rx, Fx, FxT  
IGNITION SYSTEM



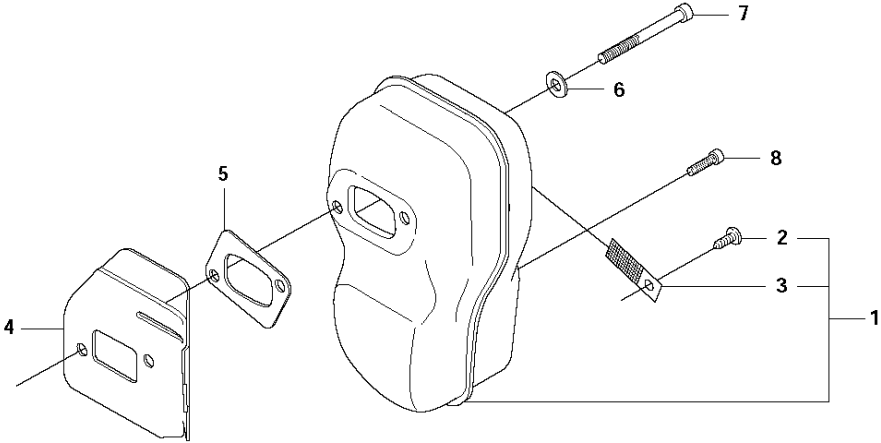


## IGNITION SYSTEM

343 F, 2011-02

| Ref | Part No      | Description         | Remark           | QTY KIT |   |
|-----|--------------|---------------------|------------------|---------|---|
| 1   | 501 00 13-01 | IGNITION MODULE     | F, Fx, FxT       | 1       |   |
| 1   | 501 00 13-02 | IGNITION MODULE     | R, Rx, FR        | 1       |   |
| 2   | 537 23 73-01 | SPARK PLUG CAP      |                  | 1       | 1 |
| 3   | 503 23 51-09 | SPARK PLUG          | Champion RCJ 6Y  | 1       |   |
| 4   | 503 20 25-16 | SCREW IHSCM         |                  | 2       |   |
| 5   | 537 39 10-01 | SHORT CIRCUIT CABLE |                  | 1       |   |
| 6   | 537 25 63-01 | GENERATOR STATOR    | FxT              | 1       |   |
| 7   | 503 21 66-18 | SCREW IH SCT        | FxT              | 2       |   |
| 8   | 503 95 33-01 | FLYWHEEL            | F, Fx, R, Rx, FR | 1       |   |
| 8   | 503 95 33-02 | FLYWHEEL            | FxT              | 1       |   |
| 9   | 503 81 29-01 | SPRING              |                  | 2       | 8 |
| 10  | 503 81 24-01 | STARTER PAWL        |                  | 2       | 8 |
| 11  | 503 23 00-42 | WASHER              |                  | 2       | 8 |
| 12  | 501 81 99-03 | SCREW               |                  | 2       | 8 |
| 13  | 503 22 04-01 | NUT                 |                  | 1       |   |
| 14  | 501 48 56-01 | CONTACT SPRING      |                  | 1       | 1 |

**H** 343R, F, FR, 345Rx, Fx, FxT  
MUFFLER

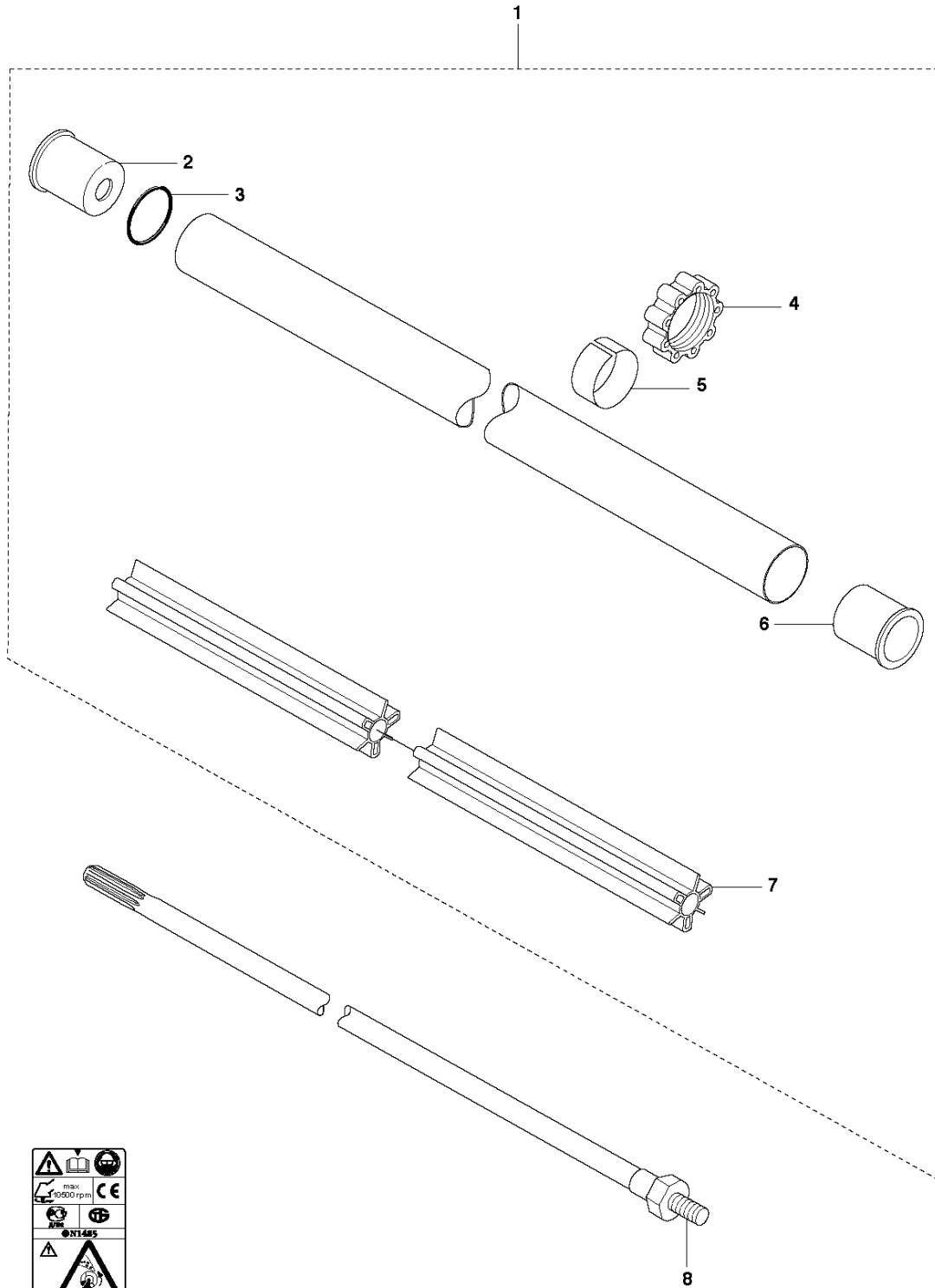


## MUFFLER

343 F, 2011-02

| Ref | Part No      | Description           | Remark | QTY | KIT |
|-----|--------------|-----------------------|--------|-----|-----|
| 1   | 503 94 90-01 | MUFFLER ASSY          | CAT    | 1   |     |
| 1   | 503 94 90-02 | MUFFLER ASSY          |        | 1   |     |
| 2   | 724 12 87-59 | SCREW CRPANM          |        | 1   | 1   |
| 3   | 537 27 09-01 | SPARK ARRESTER SCREEN |        | 1   | 1   |
| 4   | 537 22 85-01 | HEAT DEFLECTOR        |        | 1   |     |
| 5   | 537 19 87-01 | GASKET                |        | 1   |     |
| 6   | 503 23 04-02 | WASHER                |        | 2   |     |
| 7   | 503 20 29-70 | SCREW IHSCFM          |        | 2   |     |
| 8   | 503 20 03-02 | SCREW IHSCFM          |        | 1   |     |

**B** 343R, F, FR, 345Rx, Fx, FxT  
SHAFT



9

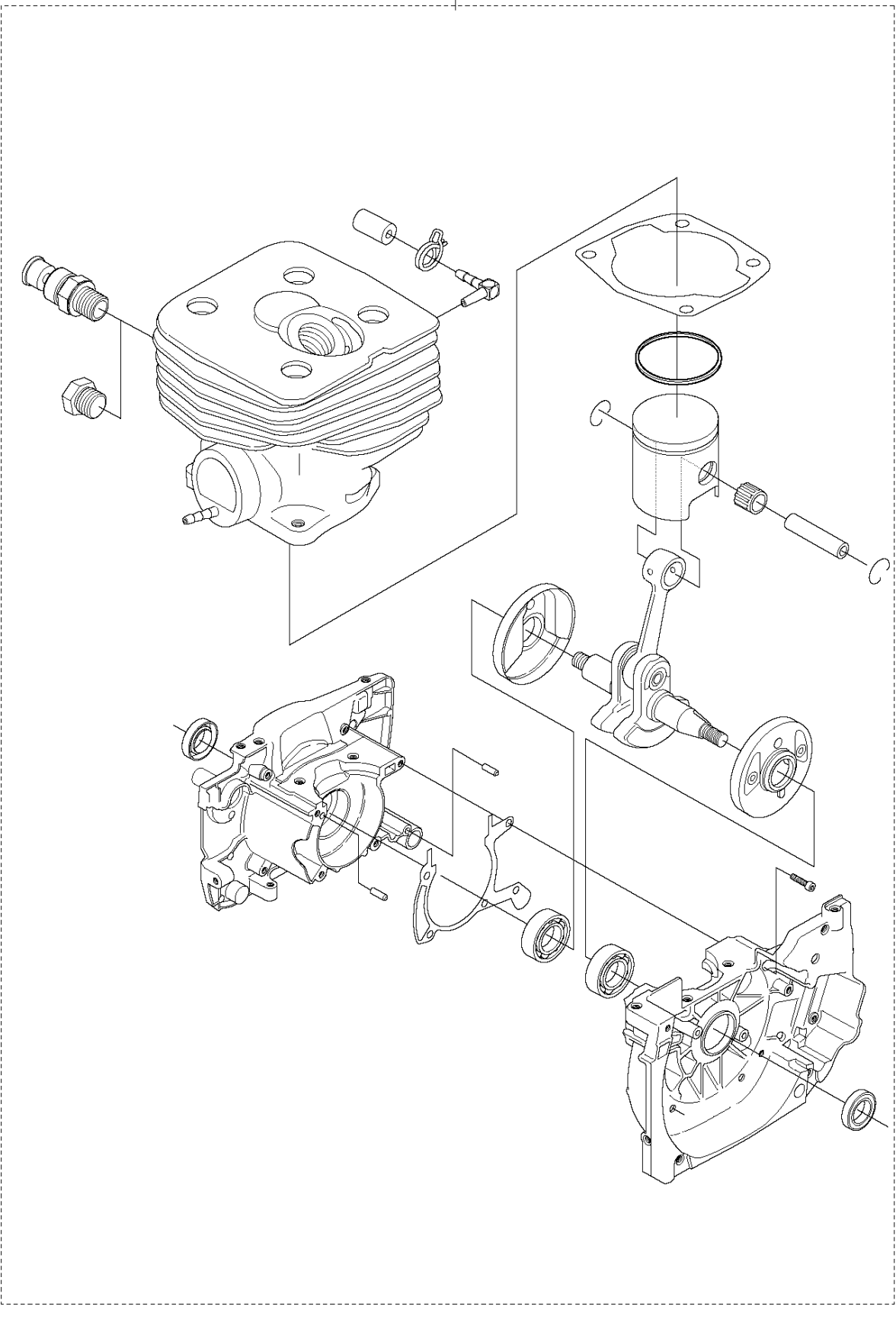
## SHAFT

343 F, 2011-02

| Ref | Part No      | Description           | Remark                         | QTY | KIT |
|-----|--------------|-----------------------|--------------------------------|-----|-----|
| 1   | 537 27 92-03 | TUBE                  | F, Fx, FxT L=1354 ø32,2        | 1   |     |
| 1   | 537 27 92-08 | TUBE                  | R, Rx L=1465 ø32,2             | 1   |     |
| 1   | 537 27 92-10 | TUBE                  | FR L=1384 ø32,2                | 1   |     |
| 2   | 544 02 94-01 | SPACER                |                                | 1   | 1   |
| 3   | 506 11 03-01 | O-RING                |                                | 1   | 1   |
| 4   | 537 30 98-01 | ANTIVIBRATION ELEMENT |                                | 1   | 1   |
| 5   | 537 30 97-01 | TAPE                  |                                | 1   | 1   |
| 6   | 544 02 94-01 | SPACER                | F, FR, Fx, FxT                 | 1   | 1   |
| 7   | 537 18 31-04 | GUIDE                 | F, Fx, FxT, R, Rx              | 1   | 1   |
| 7   | 537 18 31-05 | GUIDE                 | FR                             | 1   | 1   |
| 8   | 503 95 54-01 | DRIVE SHAFT           | F, Fx, FxT L=1401 ø9, hollowed | 1   |     |
| 8   | 503 95 54-02 | DRIVE SHAFT           | R, Rx L=1512 ø9, hollowed      | 1   |     |
| 8   | 503 92 44-01 | DRIVE SHAFT           | F, Fx, FxT L=1401 ø9, solid    | 1   |     |
| 8   | 503 92 44-02 | DRIVE SHAFT           | R, Rx L=1512 ø9, solid         | 1   |     |
| 8   | 503 92 44-03 | DRIVE SHAFT           | FR L=1431 ø9, solid            | 1   |     |
| 9   | 537 29 47-07 | LABEL                 |                                | 1   |     |
| 9   | 537 29 47-03 | LABEL                 | US, Can                        | 1   |     |

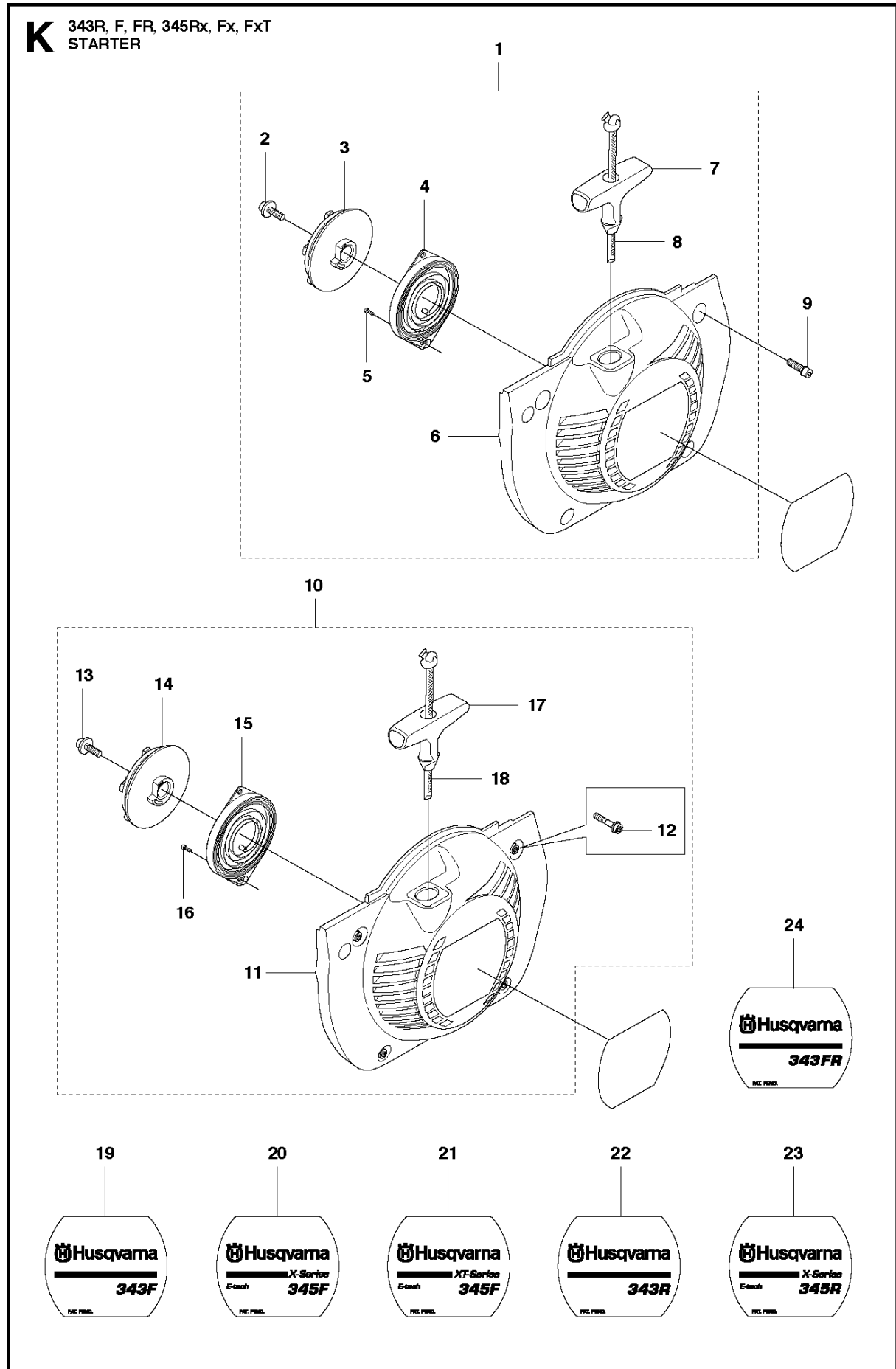
**T** 343R, F, FR, 345Rx, Fx, FxT  
SHORT BLOCK

1



| Ref | Part No      | Description | Remark    | QTY KIT |
|-----|--------------|-------------|-----------|---------|
| 1   | 576 82 97-01 | SHORT BLOCK | Assembled | 1       |

**K** 343R, F, FR, 345Rx, Fx, FxT  
STARTER

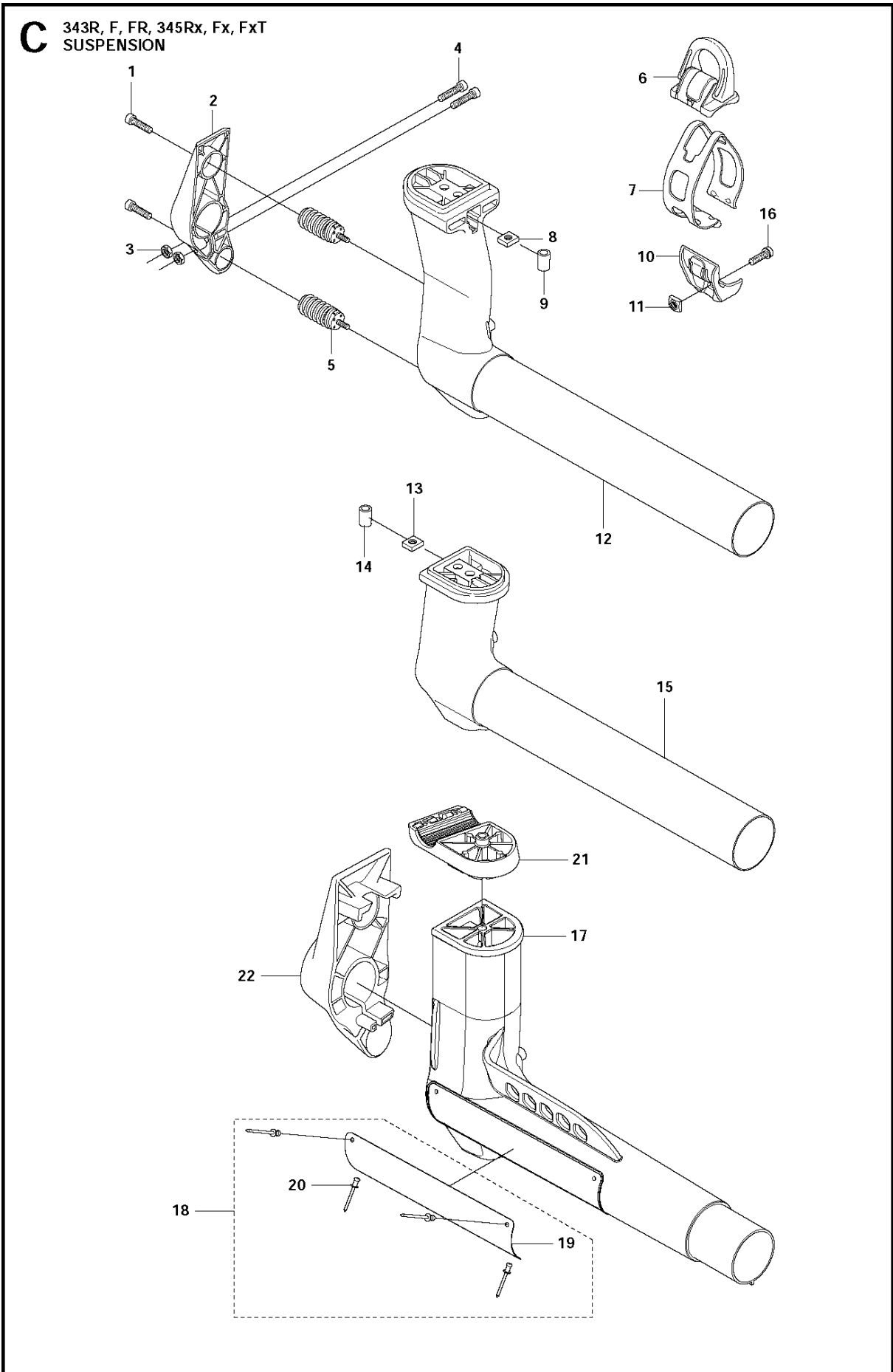




## STARTER

343 F, 2011-02

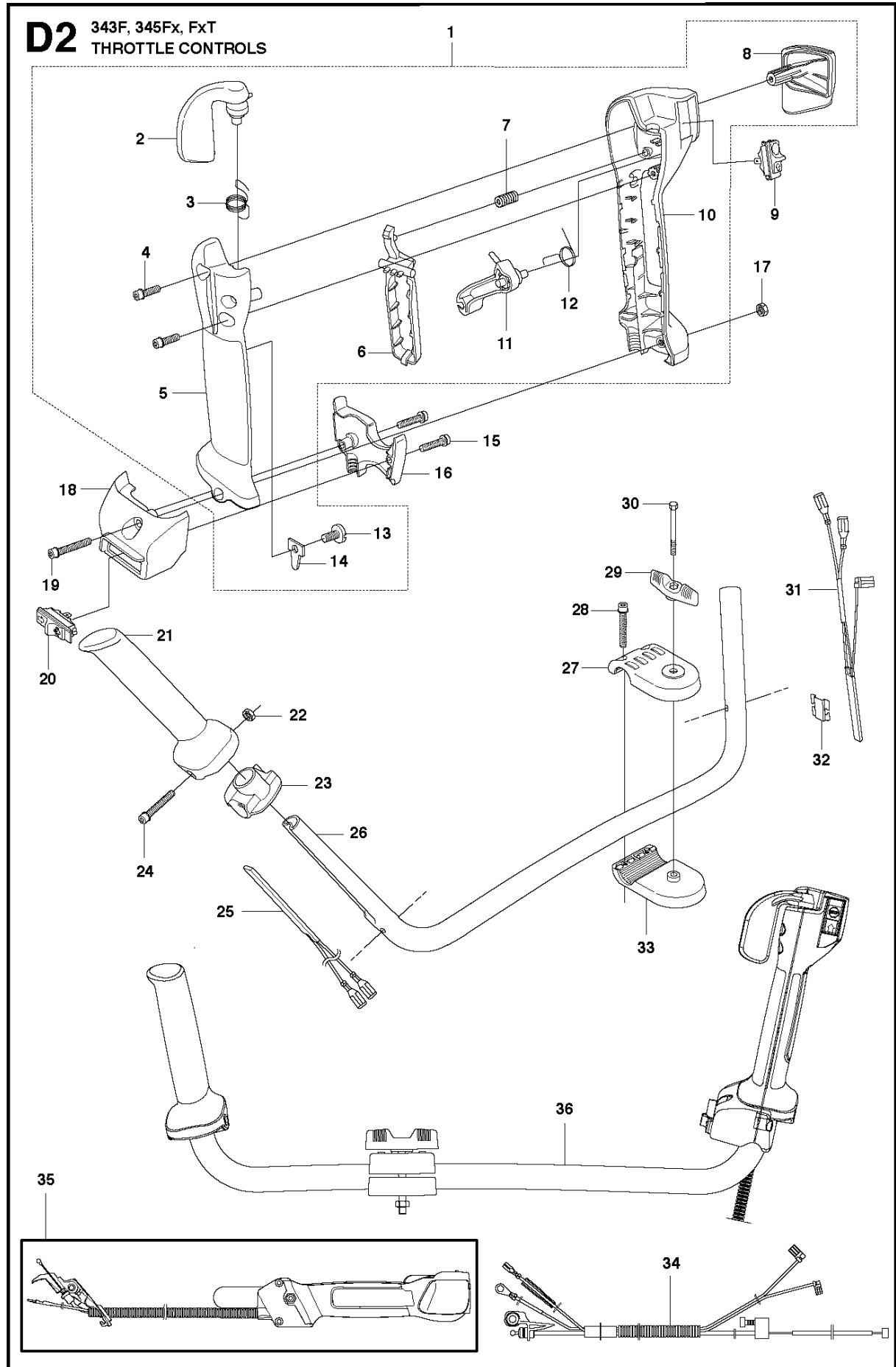
| Ref | Part No      | Description          | Remark                        | QTY | KIT   |
|-----|--------------|----------------------|-------------------------------|-----|-------|
| 1   | 503 94 78-02 | STARTER ASSY         |                               | 1   |       |
| 2   | 503 21 69-16 | SCREW IHSCCT         |                               | 1   | 1     |
| 3   | 503 95 73-01 | STARTER PULLEY       |                               | 1   | 1     |
| 4   | 502 20 06-01 | SPRING CASSETTE ASSY |                               | 1   | 1     |
| 5   | 503 21 29-06 | SCREW CCRPANT        |                               | 2   | 1     |
| 6   | 503 94 79-01 | STARTER HOUSING      |                               | 1   | 1     |
| 7   | 503 54 39-01 | STARTER HANDLE       |                               | 1   | 1     |
| 8   | 505 30 51-25 | STARTER CORD         |                               | 1   | 1     |
| 9   | 503 20 03-02 | SCREW IHSCFM         |                               | 4   |       |
| 10  | 575 58 10-01 | STARTER ASSY         | Spare part with Captive Screw | 1   |       |
| 11  | 575 58 05-01 | STARTER HOUSING      | Spare part with Captive Screw | 1   | 10    |
| 12  | 574 47 70-03 | SCREW IHSCFMO        | Captive Screw                 | 4   | 10,11 |
| 13  | 503 21 69-16 | SCREW IHSCCT         |                               | 1   | 10    |
| 14  | 503 95 73-01 | STARTER PULLEY       |                               | 1   | 10    |
| 15  | 502 20 06-01 | SPRING CASSETTE ASSY |                               | 1   | 10    |
| 16  | 503 21 29-06 | SCREW CCRPANT        |                               | 2   | 10    |
| 17  | 503 54 39-01 | STARTER HANDLE       |                               | 1   | 10    |
| 18  | 505 30 51-25 | STARTER CORD         |                               | 1   | 10    |
| 19  | 537 35 59-01 | LABEL                | F                             | 1   |       |
| 20  | 537 35 59-02 | LABEL                | Fx                            | 1   |       |
| 21  | 537 35 59-03 | LABEL                | FxT                           | 1   |       |
| 22  | 537 35 59-04 | LABEL                | R                             | 1   |       |
| 23  | 537 35 59-05 | LABEL                | Rx                            | 1   |       |
| 24  | 537 35 59-14 | LABEL                | FR                            | 1   |       |



## SUSPENSION

343 F, 2011-02

| Ref | Part No      | Description           | Remark                    | QTY | KIT |
|-----|--------------|-----------------------|---------------------------|-----|-----|
| 1   | 503 20 02-16 | SCREW IHSCFM          |                           | 2   |     |
| 2   | 503 95 53-04 | HOLDER ANTIVIBRATION  |                           | 1   |     |
| 3   | 503 22 10-12 | HEXAGON NUT           |                           | 2   |     |
| 4   | 503 20 02-25 | SCREW IHSCFM          |                           | 2   |     |
| 5   | 537 29 97-01 | ANTIVIBRATION ELEMENT |                           | 2   |     |
| 6   | 537 20 18-01 | LOOP                  |                           | 1   |     |
| 7   | 537 19 79-01 | BAND                  |                           | 1   |     |
| 8   | 502 19 71-01 | SQUARE NUT            |                           | 1   |     |
| 9   | 503 85 73-02 | COVER                 |                           | 1   |     |
| 10  | 537 27 11-02 | GUIDE RAIL            |                           | 1   |     |
| 11  | 503 22 65-01 | SQUARE NUT            |                           | 1   |     |
| 12  | 537 19 89-05 | SUSPENSION            | R, Rx, Magnesium          | 1   |     |
| 13  | 502 19 71-01 | SQUARE NUT            |                           | 1   |     |
| 14  | 503 85 73-02 | COVER                 |                           | 1   |     |
| 15  | 503 95 59-06 | SUSPENSION            | F, Fx, FxT, FR, Magnesium | 1   |     |
| 16  | 503 20 02-20 | SCREW IHSCFM          |                           | 1   |     |
| 17  | 515 97 98-01 | SUSPENSION            | R, Composit               | 1   |     |
| 18  | 577 22 47-01 | WEAR PROTECTION       | R                         | 1   |     |
| 19  | 576 63 00-01 | WEAR PROTECTION       | R                         | 1   | 18  |
| 20  | 722 78 18-02 | BLIND RIVET           | R                         | 4   | 18  |
| 21  | 502 43 36-01 | HANDLEBAR BRACKET     | R                         | 1   |     |
| 22  | 502 43 35-01 | HOLDER ANTIVIBRATION  | R                         | 1   |     |



## THROTTLE CONTROLS

343 F, 2011-02

| Ref | Part No      | Description          | Remark        | QTY | KIT |
|-----|--------------|----------------------|---------------|-----|-----|
| 1   | 537 19 72-13 | THROTTLE HANDLE      |               | 1   |     |
| 2   | 537 26 34-01 | THROTTLE TRIGGER     |               | 1   | 1   |
| 3   | 537 28 37-01 | SPRING THROTTLE TRIG |               | 1   | 1   |
| 4   | 503 21 75-20 | SCREW IHSCFT         |               | 2   | 1   |
| 5   | 537 15 53-01 | HANDLE HALF          |               | 1   | 1   |
| 6   | 537 15 56-01 | THROTTLE LOCKOUT     |               | 1   | 1   |
| 7   | 537 19 97-01 | SPRING               |               | 1   | 1   |
| 8   | 537 18 24-01 | COVER                |               | 1   | 1   |
| 9   | 537 41 90-01 | SWITCH               |               | 1   |     |
| 10  | 537 15 52-01 | HANDLE HALF          |               | 1   | 1   |
| 11  | 537 26 35-01 | THROTTLE LEVER       |               | 1   | 1   |
| 12  | 537 34 27-01 | SPRING               |               | 1   | 1   |
| 13  | 503 21 70-10 | SCREW CCRPANT        |               | 1   | 1   |
| 14  | 537 25 11-01 | SECURING PLATE       |               | 1   | 1   |
| 15  | 503 21 71-20 | SCREW IHSCFT         | FxT           | 2   |     |
| 16  | 537 20 16-01 | RETAINER             | FxT           | 1   |     |
| 17  | 731 23 14-05 | HEXAGON NUT          |               | 1   |     |
| 18  | 537 20 15-01 | RETAINER             | FxT           | 1   |     |
| 19  | 503 20 02-35 | SCREW IHSCFM         | F, Fx         | 1   |     |
| 19  | 503 20 02-45 | SCREW IHSCFM         | FxT           | 1   |     |
| 20  | 503 71 82-02 | SWITCH               | FxT           | 1   |     |
| 21  | 537 17 28-05 | HANDLE               |               | 1   |     |
| 22  | 731 23 14-05 | HEXAGON NUT          |               | 1   |     |
| 23  | 537 17 29-02 | BRACKET              |               | 1   |     |
| 24  | 503 20 02-45 | SCREW IHSCFM         |               | 1   |     |
| 25  | 537 22 72-01 | ELEMENT              | FxT           | 1   |     |
| 26  | 503 95 86-01 | HANDLEBAR            | F, Fx         | 1   |     |
| 26  | 503 95 86-02 | HANDLEBAR            | FxT           | 1   |     |
| 27  | 537 12 90-02 | HANDLEBAR BRACKET    |               | 1   |     |
| 28  | 503 20 02-25 | SCREW IHSCFM         |               | 2   |     |
| 29  | 502 20 38-01 | KNOB                 |               | 1   |     |
| 30  | 725 23 84-85 | SCREW EHHM           |               | 1   |     |
| 31  | 537 22 71-01 | ELEMENT              | FxT           | 1   |     |
| 32  | 537 26 51-01 | SECURING PLATE       | FxT           | 2   |     |
| 33  | 537 12 91-01 | HANDLEBAR BRACKET    |               | 1   |     |
| 34  | 505 16 55-02 | WIRING ASSY          | FxT           | 1   |     |
| 34  | 505 16 55-01 | WIRING ASSY          | F, Fx         | 1   |     |
| 35  | 504 57 20-01 | THROTTLE HANDLE ASSY | F, Fx, compl. | 1   |     |
| 36  | 537 23 63-05 | HANDLEBAR            | FXT           | 1   |     |