

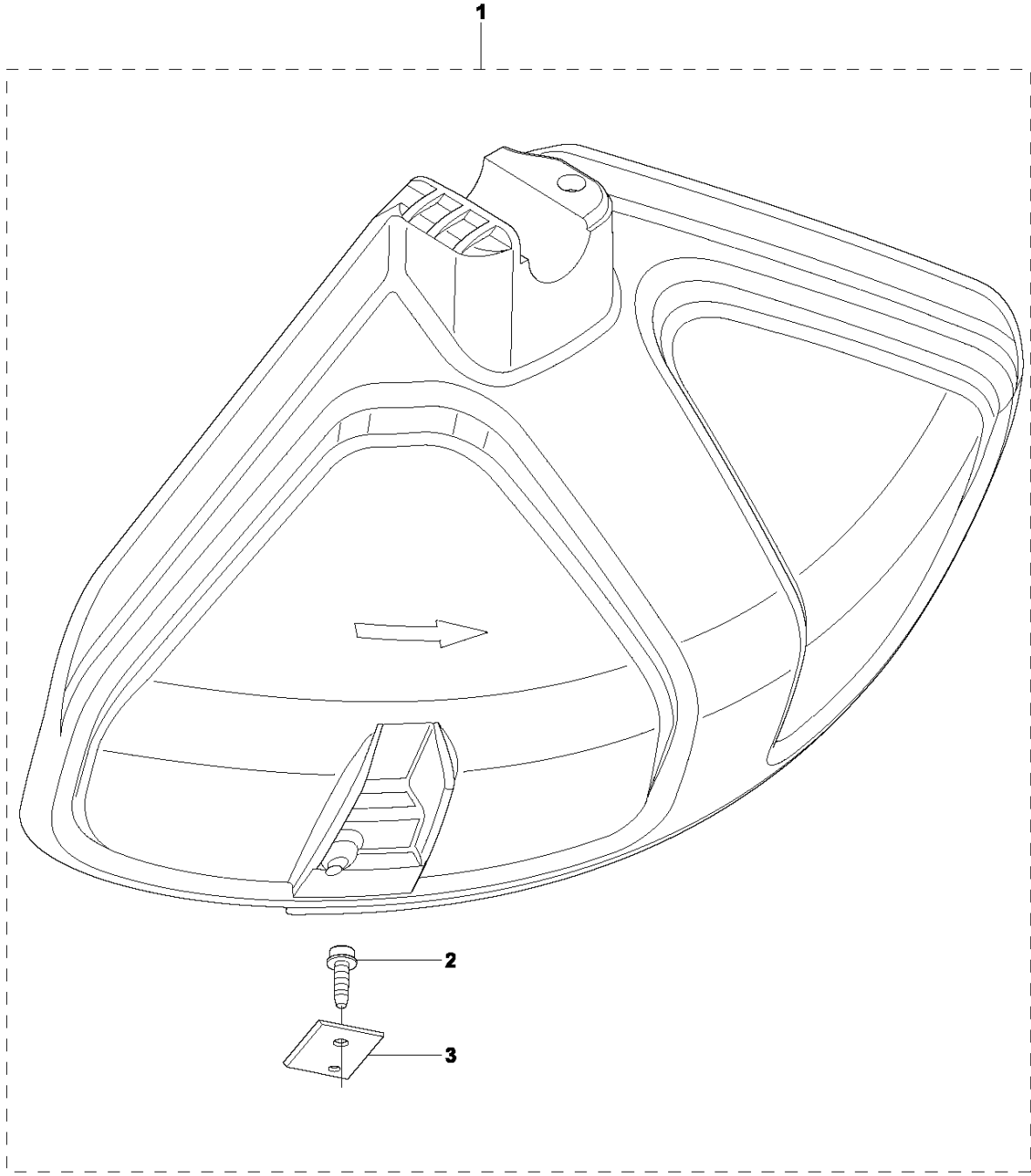


SPARE PARTS LIST

BRUSHCUTTERS/CLEARING SAWS

533 RS, 2011-07

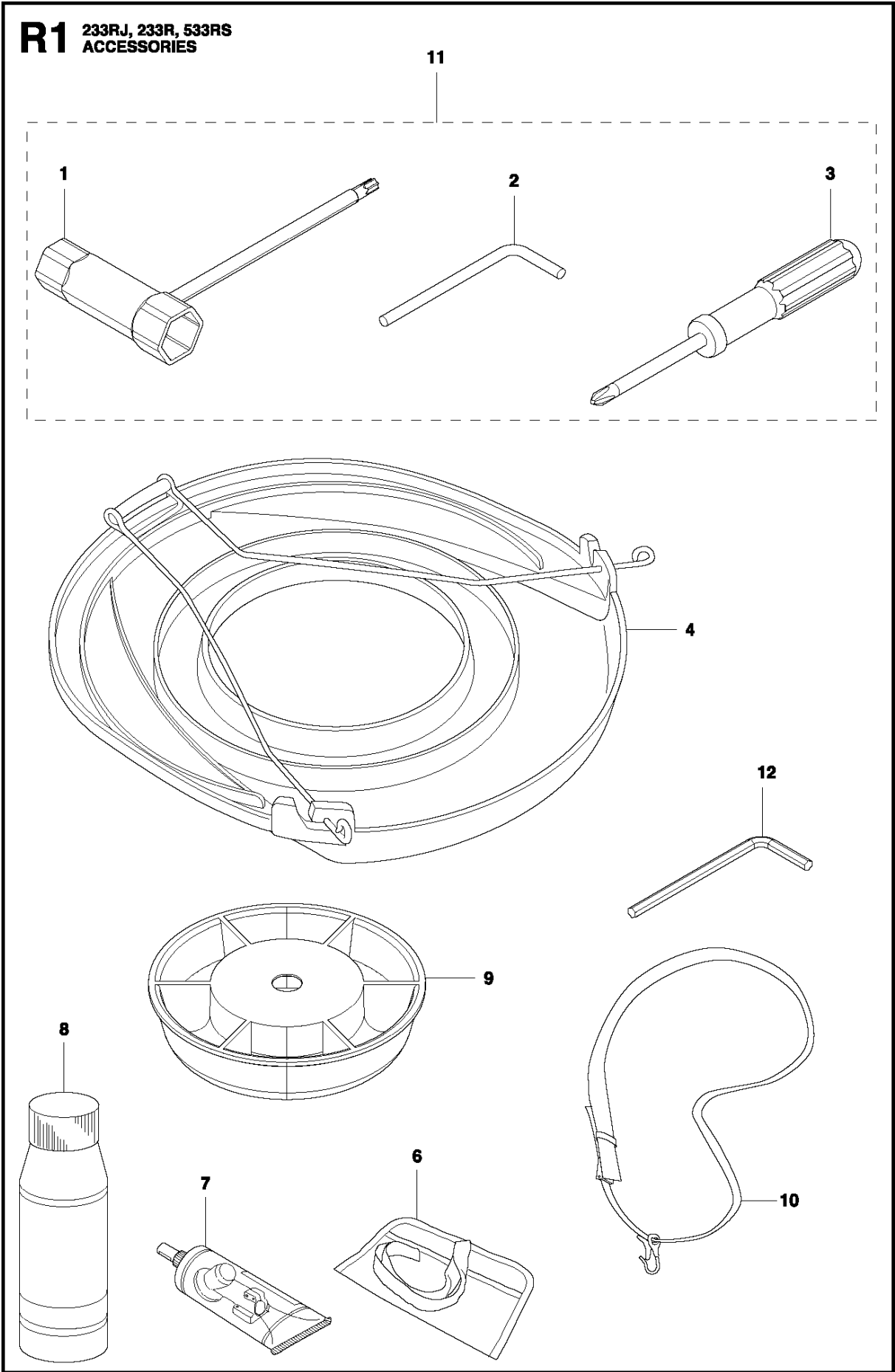
R2 233RJ, 233R, 533RS
ACCESSORIES



ACCESSORIES

533 RS, 2011-07

| Ref | Part no. | Description | Remark | Qty | Kit |
|-----|--------------|--------------|--------|-----|-----|
| 1 | 503 93 42-02 | COMBI GUARD | | 1 | |
| 2 | 503 21 07-16 | SCREW IHSCFT | | 1 | 1 |
| 3 | 503 79 88-01 | BLADE | | 1 | 1 |

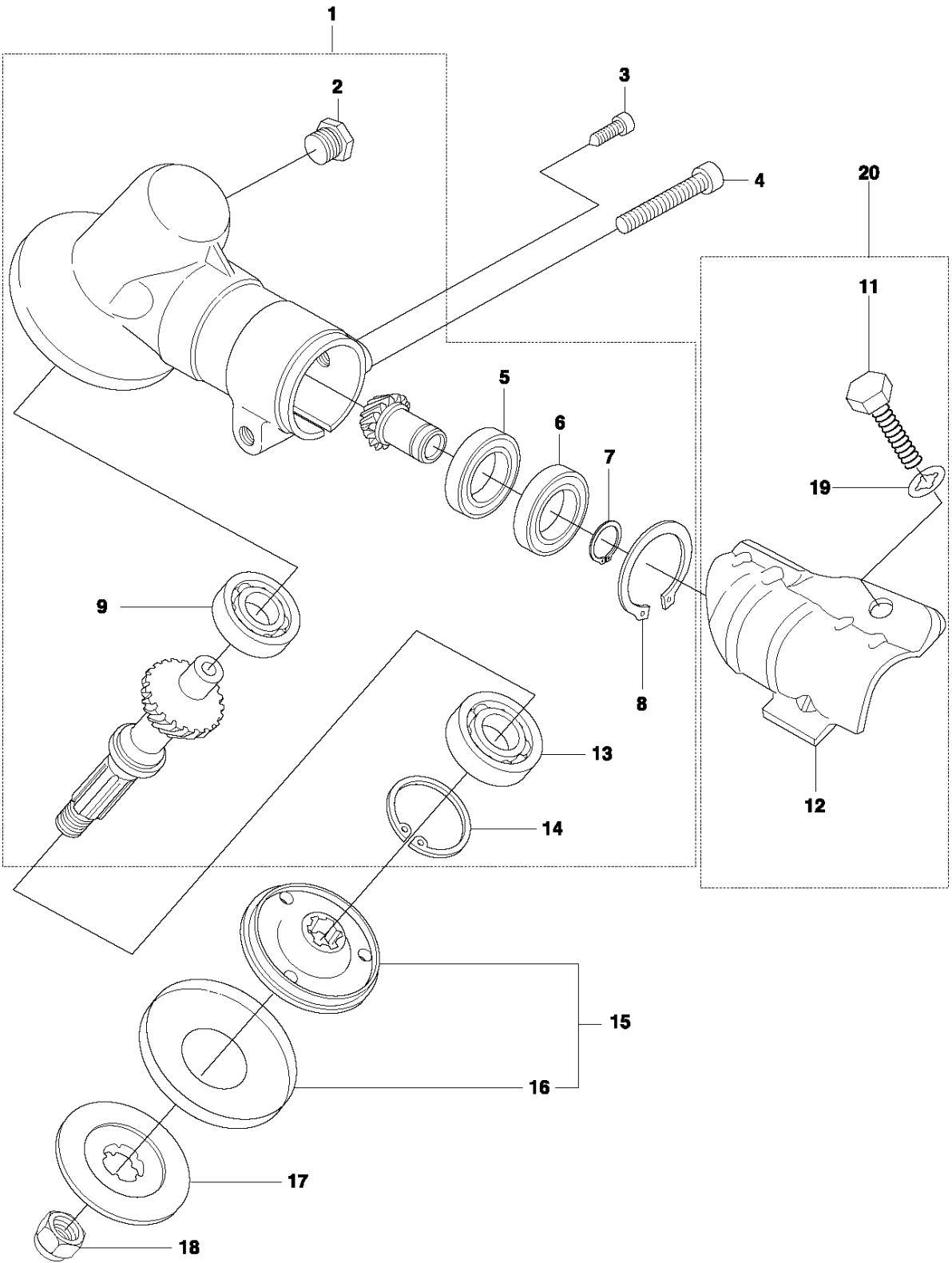


ACCESSORIES

533 RS, 2011-07

| Ref | Part no. | Description | Remark | Qty | Kit |
|-----|--------------|--------------------|--------|-----|-----|
| 1 | 506 68 61-01 | COMBINATION WRENCH | | 1 | 11 |
| 2 | 505 31 20-01 | BAR | | 1 | 11 |
| 3 | 506 68 95-01 | DRIVER | | 1 | 11 |
| 4 | 537 31 29-01 | TRANSPORT GUARD | | 1 | |
| 6 | 501 19 22-01 | TOOL CASING | | 1 | |
| 7 | 503 97 64-01 | GREASE | | 1 | |
| 8 | 531 00 92-48 | FILTER OIL | | 1 | |
| 9 | 503 89 01-01 | SUPPORT CUP | | 1 | |
| 10 | 537 21 62-01 | HARNES | 233RJ | 1 | |
| 11 | 529 26 53-01 | TOOL SET | | 1 | |
| 12 | 505 31 19-01 | WRENCH | | 1 | |

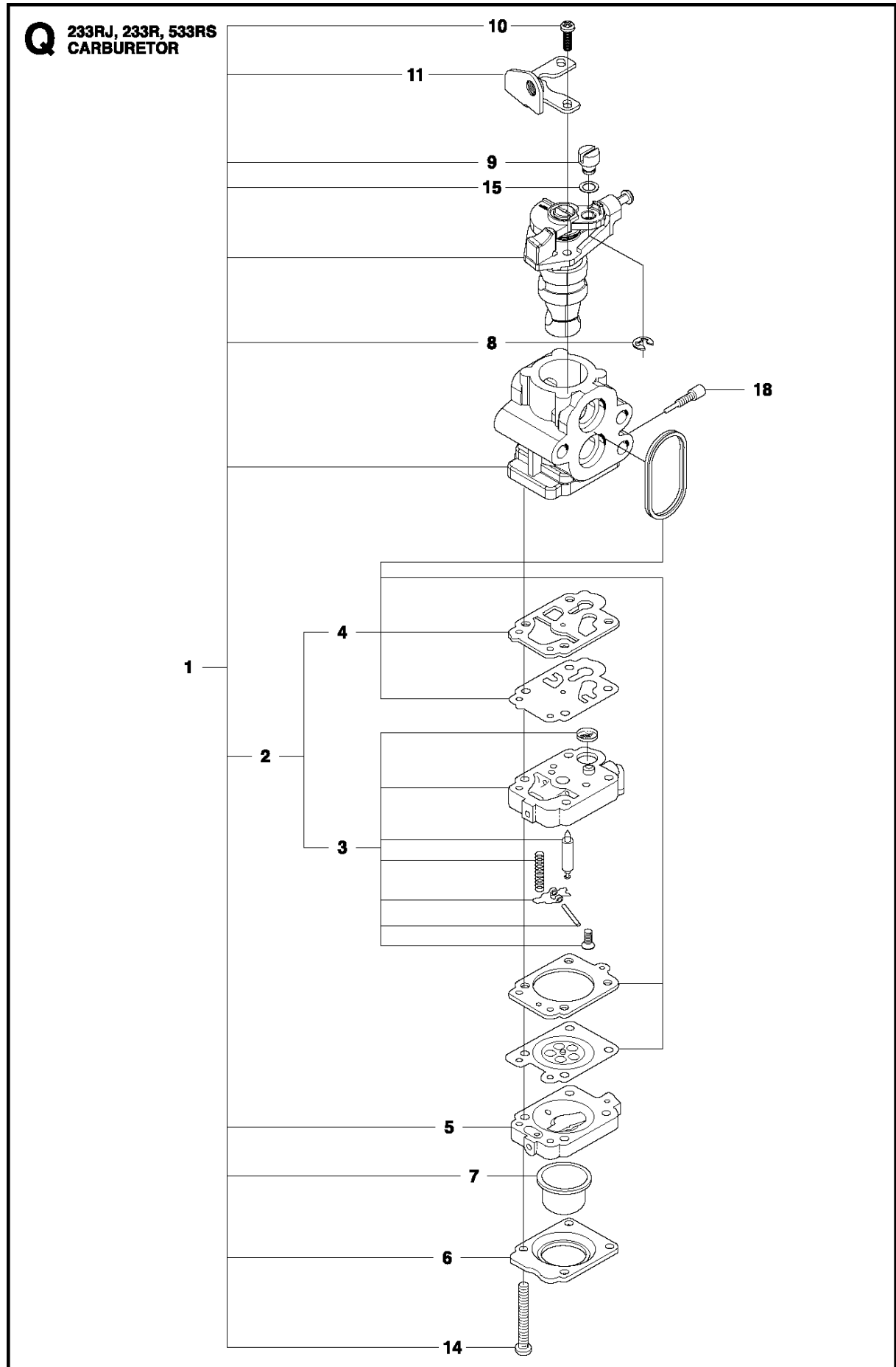
A 233RJ, 233R, 533RS
BEVEL GEAR



BEVEL GEAR

533 RS, 2011-07

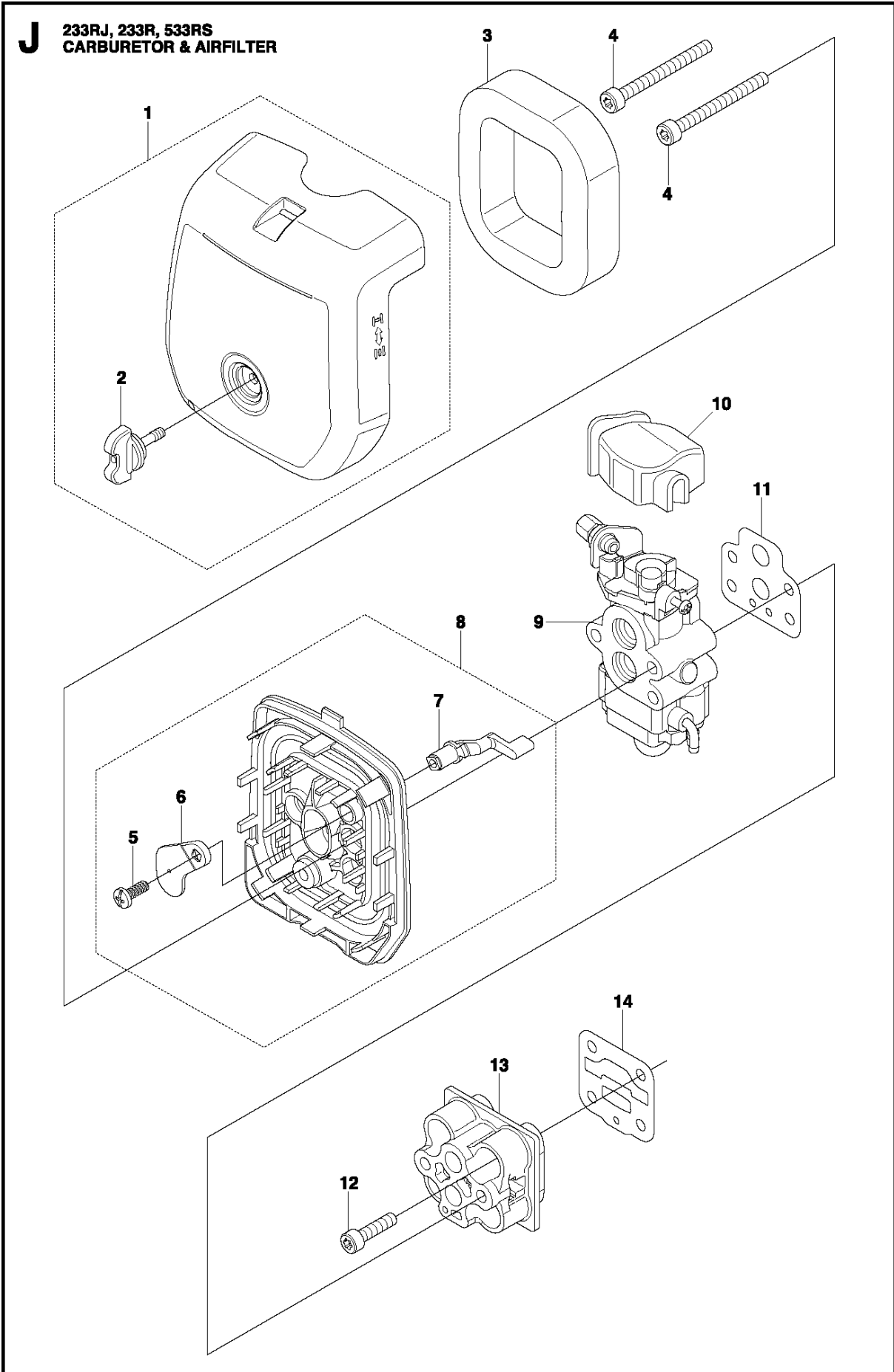
| Ref | Part no. | Description | Remark | Qty | Kit |
|-----|--------------|----------------|-------------|-----|-----|
| 1 | 537 33 32-02 | GEARCASE-A | | 1 | 1 |
| 2 | 503 20 15-02 | SCREW IHHM | | 1 | 1 |
| 3 | 506 74 56-01 | BOLT | Screw M5x12 | 1 | |
| 4 | 512 84 59-01 | BOLT | Screw M5x25 | 1 | |
| 5 | 738 21 99-00 | BALL BEARING | | 1 | 1 |
| 6 | 738 21 99-02 | BALL BEARING | | 1 | 1 |
| 7 | 735 31 11-00 | CIRCLIP | | 1 | 1 |
| 8 | 735 31 25-10 | CIRCLIP | | 1 | 1 |
| 9 | 738 21 98-00 | BALL BEARING | | 1 | 1 |
| 11 | 537 18 95-01 | SCREW | Screw M6x20 | 1 | 20 |
| 12 | 503 93 55-01 | CLAMP.GUARD | | 1 | 20 |
| 13 | 738 21 01-04 | BALL BEARING | | 1 | 1 |
| 14 | 735 31 28-10 | CIRCLIP | | 1 | 1 |
| 15 | 537 23 49-01 | DRIVER ASSY | | 1 | |
| 16 | 537 29 26-01 | CUP | | 1 | 15 |
| 17 | 537 28 56-01 | SUPPORT FLANGE | | 1 | |
| 18 | 503 85 63-01 | NUT | | 1 | |
| 19 | 575 67 73-01 | LOCK WASHER | | 1 | 20 |
| 20 | 575 77 87-01 | BRACKET | | 1 | |



CARBURETOR

533 RS, 2011-07

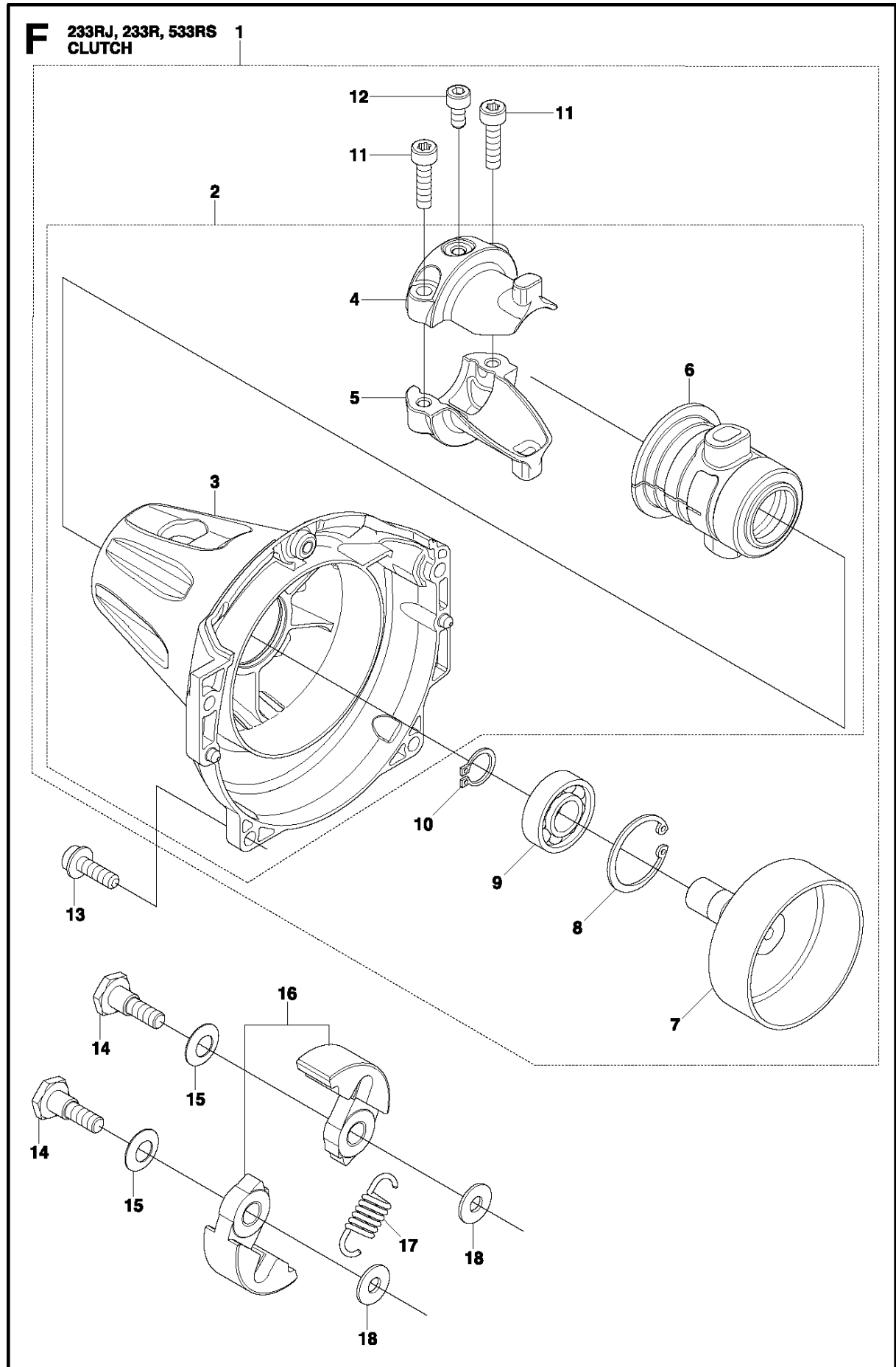
| Ref | Part no. | Description | Remark | Qty | Kit |
|-----|--------------|------------------|-------------|-----|-----|
| 1 | 577 46 26-01 | CARBURETOR | 233R, 533RS | 1 | |
| 1 | 528 06 92-01 | CARBURETOR-A | 233RJ | 1 | |
| 2 | 528 07 01-01 | REBUILD KIT | | 1 | 1 |
| 3 | 502 23 84-01 | CARBURETTOR BODY | | 1 | 1,2 |
| 4 | 515 37 87-01 | GASKET KIT | | 1 | 1,2 |
| 5 | 506 74 09-01 | BODY | | 1 | 1 |
| 6 | 506 74 10-01 | COVER | | 1 | 1 |
| 7 | 505 30 67-01 | PUMP | | 1 | 1 |
| 8 | 506 73 86-01 | RING | | 1 | 1 |
| 9 | 506 74 12-01 | SWIVEL | | 1 | 1 |
| 10 | 505 30 79-01 | SCREW | | 1 | 1 |
| 11 | 506 74 60-01 | BRACKET | | 1 | 1 |
| 14 | 506 74 11-01 | SCREW | | 4 | 1 |
| 15 | 506 74 61-01 | WASHER | | 1 | 1 |
| 18 | 511 35 14-01 | NEEDLE | | 1 | |



CARBURETOR & AIR FILTER

533 RS, 2011-07

| Ref | Part no. | Description | Remark | Qty | Kit |
|-----|--------------|--------------|-------------|-----|-----|
| 1 | 528 06 95-01 | COVER-A | | 1 | |
| 2 | 523 07 13-01 | KNOB | | 1 | |
| 3 | 512 32 96-01 | ELEMENT | | 1 | |
| 4 | 504 11 65-01 | SCREW | | 2 | |
| 5 | 506 67 38-01 | SCREW | | 1 | 8 |
| 6 | 515 38 65-01 | PLATE.CHOKE | | 1 | 8 |
| 7 | 521 76 05-01 | LEVER CHOKE | | 1 | 8 |
| 8 | 528 06 94-01 | BODY-A | | 1 | |
| 9 | 577 46 26-01 | CARBURETOR | 233R, 533RS | 1 | |
| 9 | 528 06 92-01 | CARBURETOR-A | 233RJ | 1 | |
| 10 | 506 74 42-01 | COVER | | 1 | |
| 11 | 521 75 50-01 | GASKET | | 1 | |
| 12 | 505 04 04-01 | BOLT | | 4 | |
| 13 | 528 07 37-01 | INSULATOR | | 1 | |
| 14 | 528 07 02-01 | GASKET,INSU | | 1 | |

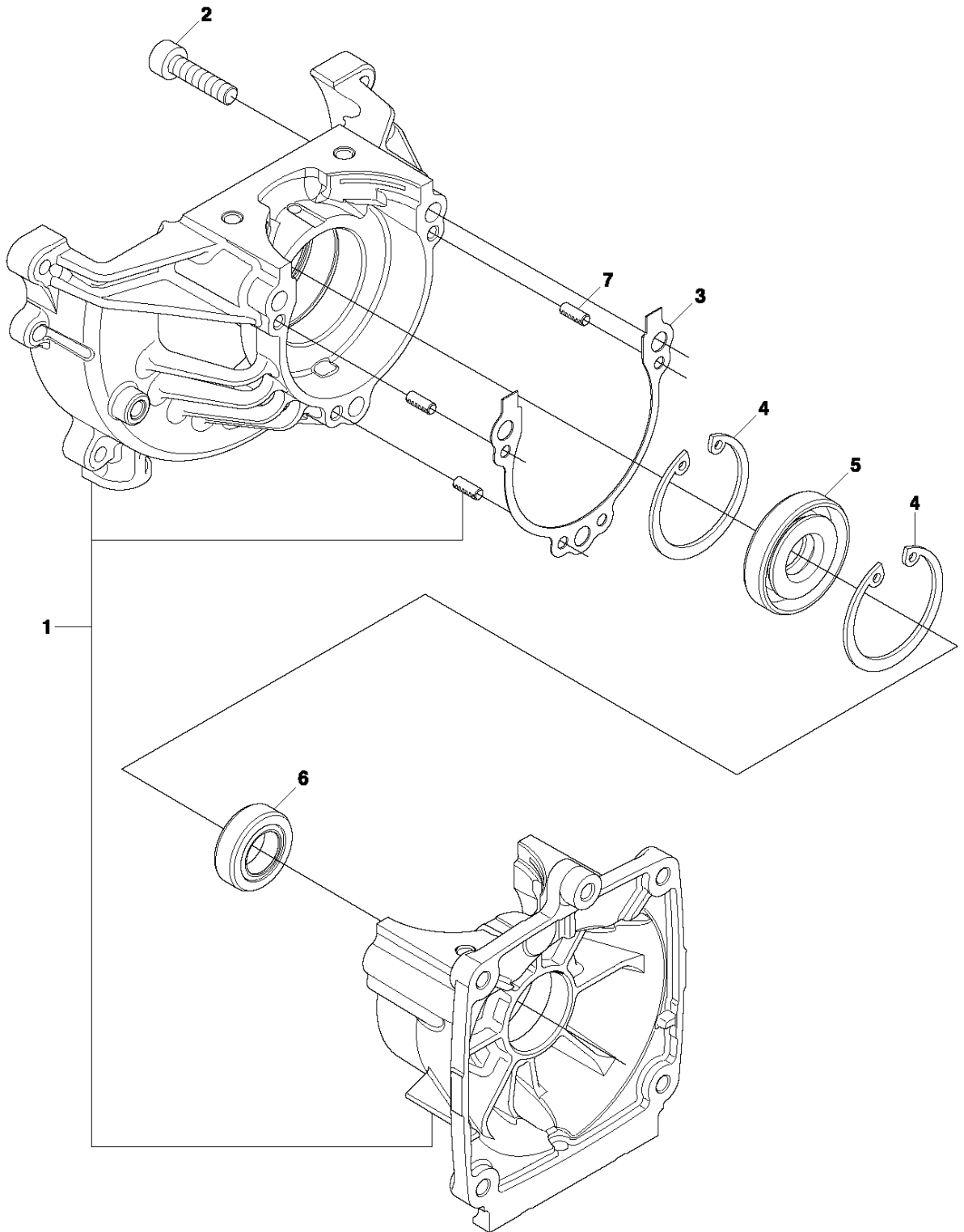


CLUTCH

533 RS, 2011-07

| Ref | Part no. | Description | Remark | Qty | Kit |
|-----|--------------|--------------|--------|-----|------|
| 1 | 528 07 10-01 | HOUSING-A | | 1 | |
| 2 | 521 75 51-01 | HOUSING-COMP | | 1 | 1 |
| 3 | 521 75 52-01 | HOUSING | | 1 | 1, 2 |
| 4 | 521 76 82-01 | BRACKET(A) | | 1 | 1, 2 |
| 5 | 521 76 83-01 | BRACKET(B) | | 1 | 1, 2 |
| 6 | 512 36 05-01 | CUSHION | | 1 | 1, 2 |
| 7 | 521 60 98-01 | DRUM | | 1 | 1 |
| 8 | 506 60 99-01 | RING | | 1 | 1 |
| 9 | 525 95 32-01 | BEARING | | 1 | 1 |
| 10 | 516 12 41-01 | RING | | 1 | 1 |
| 11 | 504 11 43-01 | SCREW | | 2 | |
| 12 | 529 26 81-01 | BOLT | | 1 | |
| 13 | 515 39 13-01 | BOLT | | 4 | |
| 14 | 513 18 96-01 | SCREW | | 2 | |
| 15 | 513 18 95-01 | WASHER | | 2 | |
| 16 | 515 38 91-01 | SHOE-C | | 1 | |
| 17 | 515 38 93-01 | SPRING | | 1 | |
| 18 | 505 05 44-01 | WASHER | | 2 | |

P 233RJ, 233R, 533RS
CRANKCASE

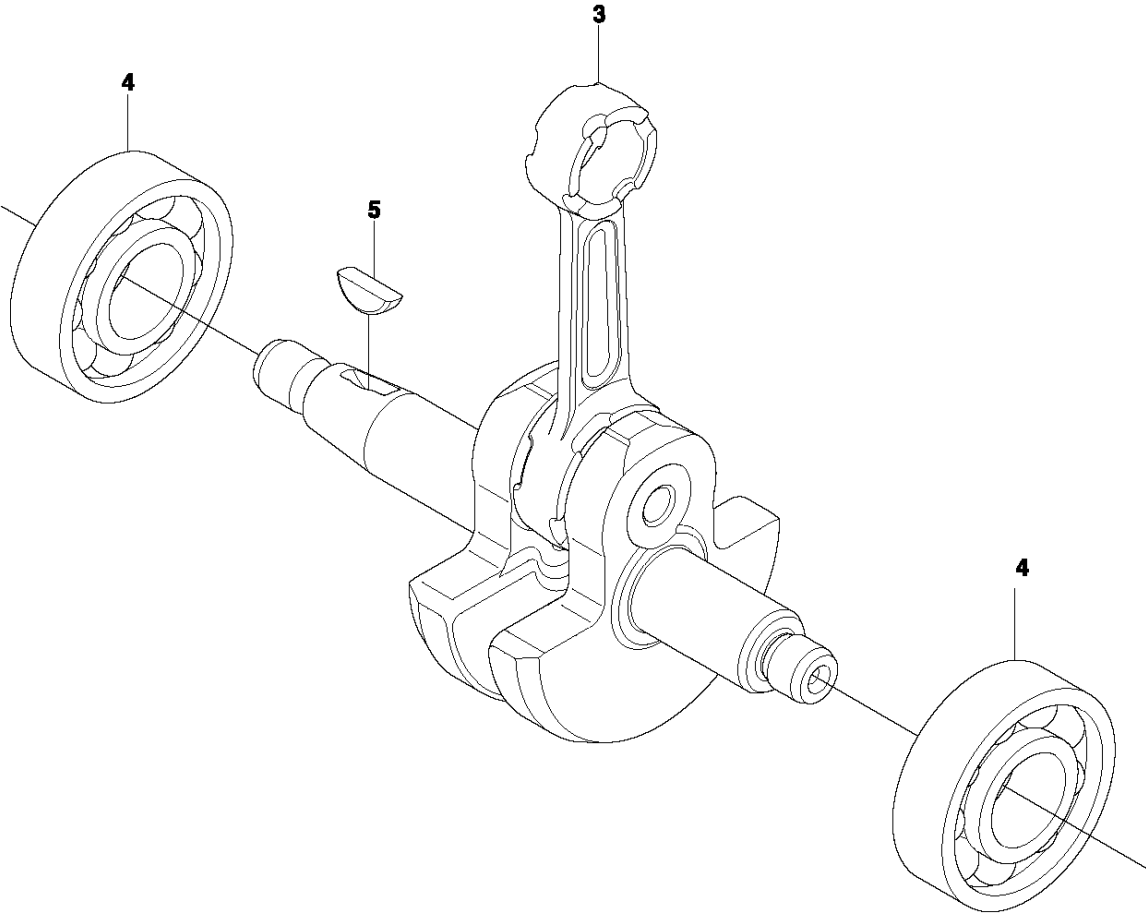


CRANKCASE

533 RS, 2011-07

| Ref | Part no. | Description | Remark | Qty | Kit |
|-----|--------------|-------------|--------|-----|-----|
| 1 | 521 61 55-01 | CASE-COMP | | 1 | |
| 2 | 504 11 43-01 | SCREW | | 3 | |
| 3 | 504 12 12-01 | GASKET | | 1 | |
| 4 | 504 12 10-01 | SNAP RING | | 2 | |
| 5 | 505 29 67-01 | SEAL | | 1 | |
| 6 | 504 12 15-01 | SEALING | | 1 | |
| 7 | 505 29 61-01 | PIN | | 3 | |

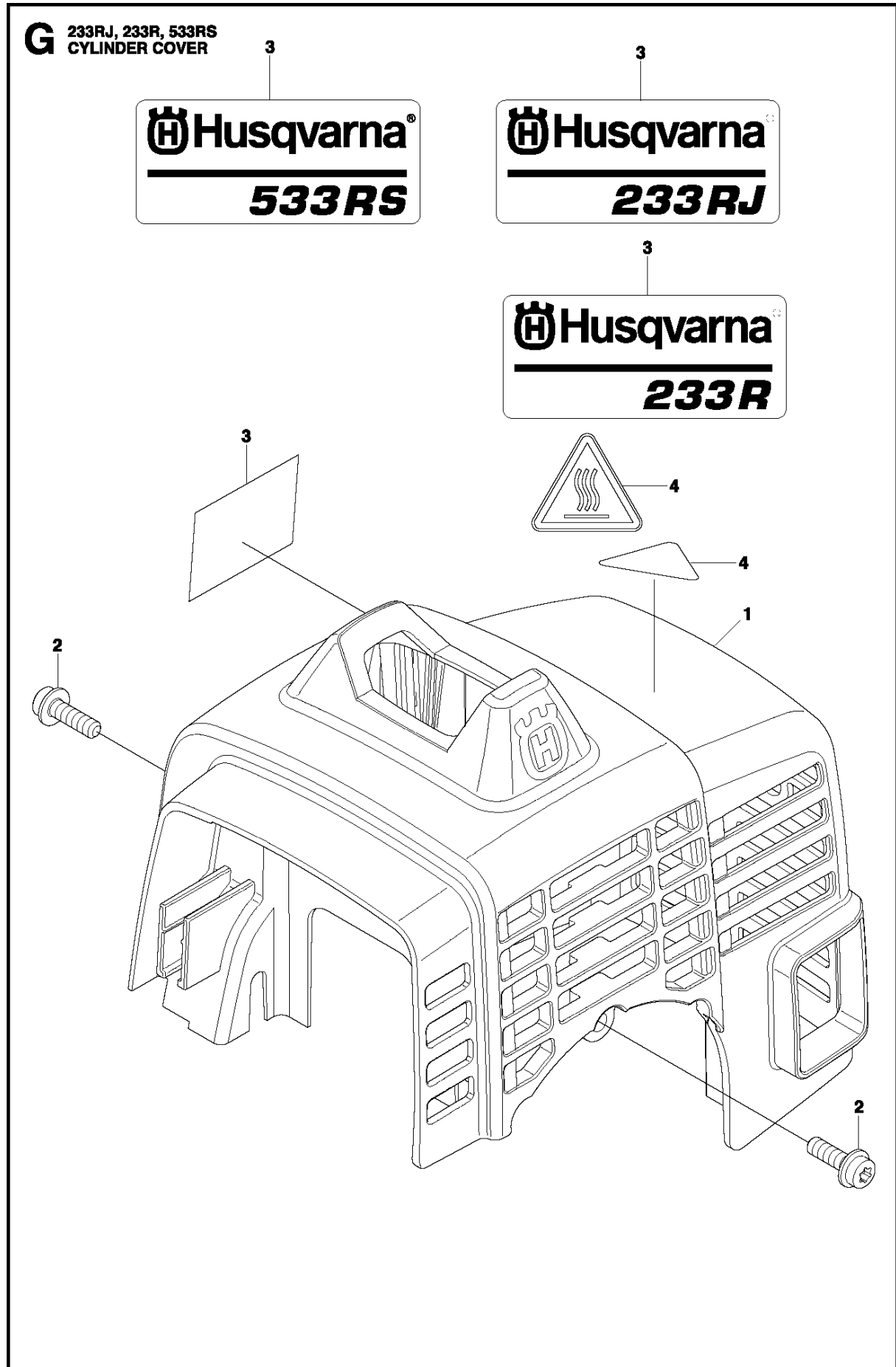
N 233RJ, 233R, 533RS
CRANK SHAFT



CRANKSHAFT

533 RS, 2011-07

| Ref | Part no. | Description | Remark | Qty | Kit |
|-----|--------------|-------------|--------|-----|-----|
| 3 | 521 61 60-01 | SHAFT-COMP | | 1 | |
| 4 | 504 12 14-01 | BEARING | | 2 | |
| 5 | 506 68 94-01 | KEY | | 1 | |

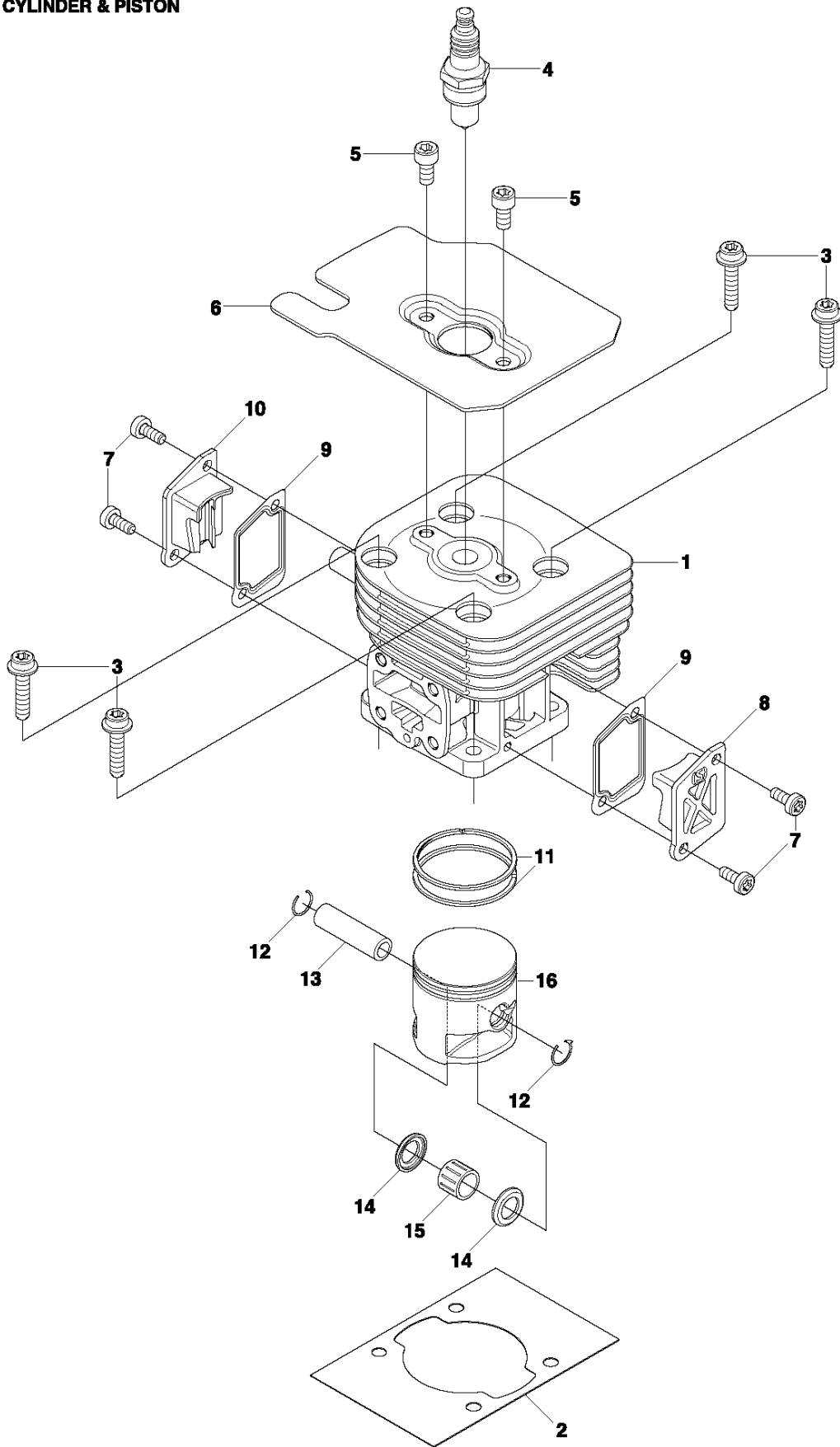


CYLINDER COVER

533 RS, 2011-07

| Ref | Part no. | Description | Remark | Qty | Kit |
|-----|--------------|--------------|-------------|-----|-----|
| 1 | 528 06 88-01 | COVER,ENGINE | | 1 | |
| 2 | 506 74 56-01 | BOLT | 233RJ | 1 | |
| 2 | 574 71 08-01 | BOLT | 233R, 533RS | 1 | |
| 3 | 578 42 07-01 | DECAL | 533RS | 1 | |
| 3 | 577 97 04-01 | DECAL | 233R | 1 | |
| 3 | 528 80 06-01 | LABEL,NAME | 233RJ | 1 | |
| 4 | 521 55 36-01 | LABEL | | 1 | |

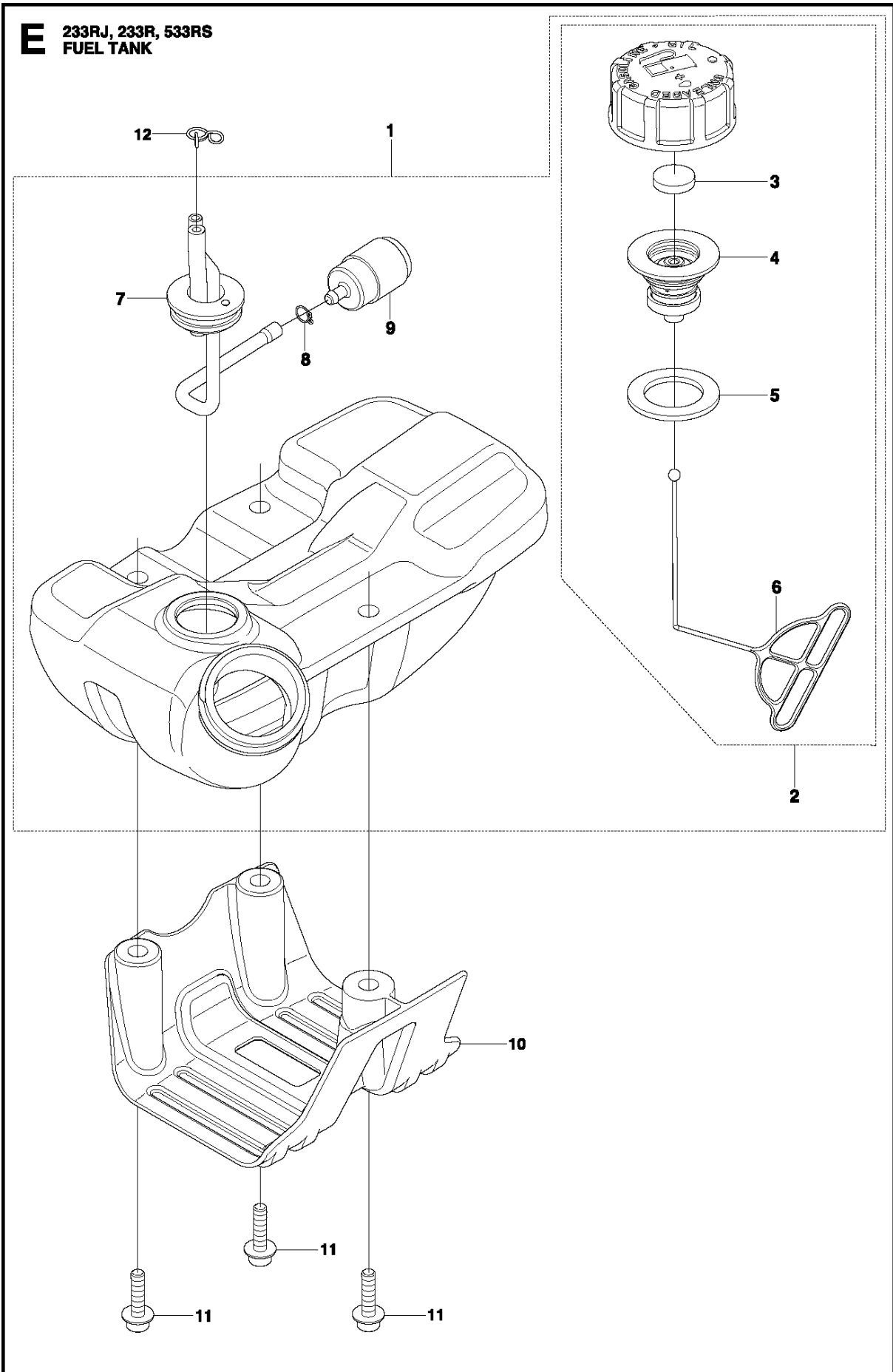
M 233RJ, 233R, 533RS
CYLINDER & PISTON



CYLINDER PISTON

533 RS, 2011-07

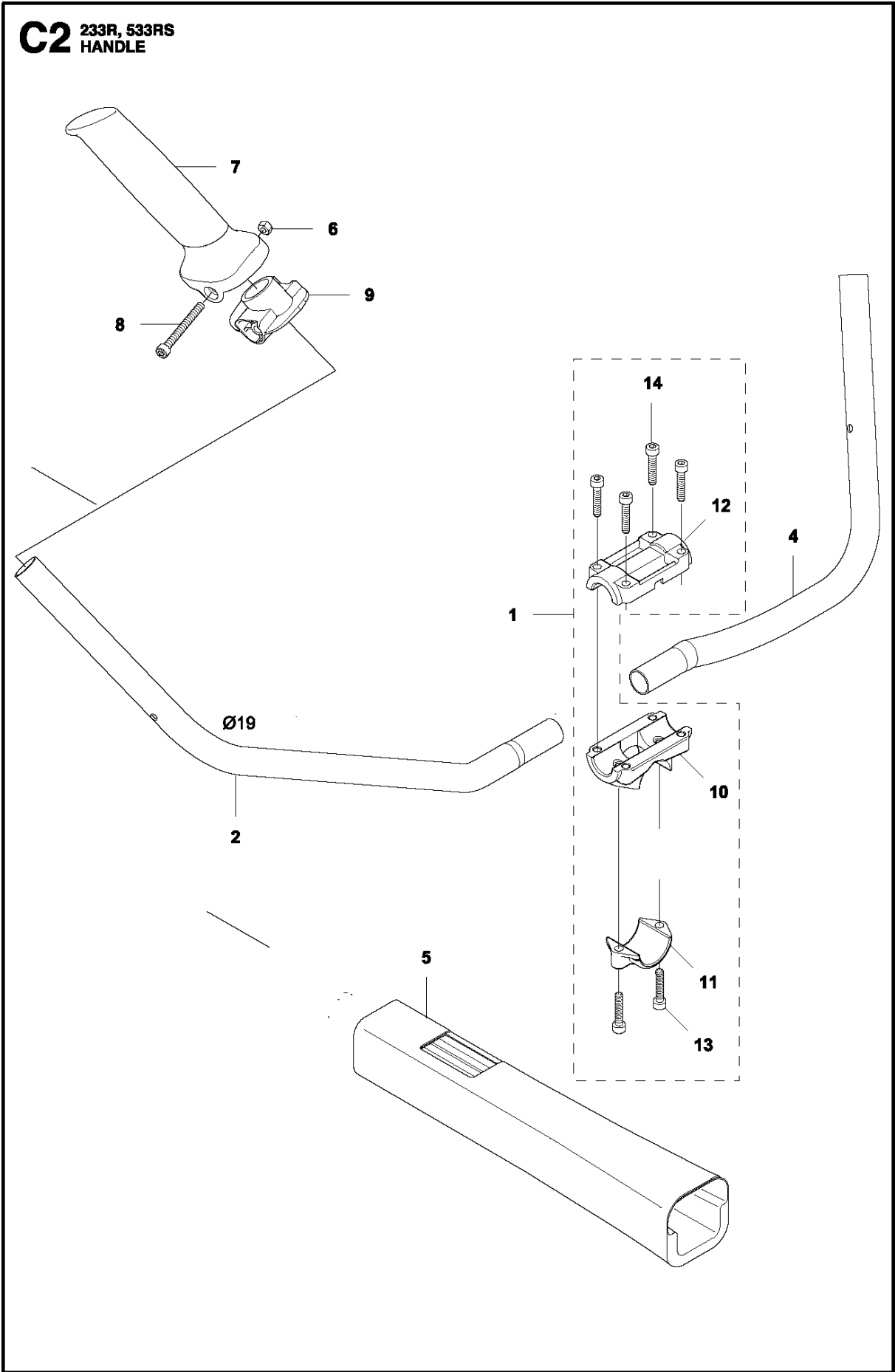
| Ref | Part no. | Description | Remark | Qty | Kit |
|-----|--------------|----------------|-------------|-----|-----|
| 1 | 528 07 33-01 | CYLINDER | | 1 | |
| 2 | 504 11 91-01 | GASKET | | 1 | |
| 3 | 505 04 04-01 | BOLT | | 4 | |
| 4 | 528 07 40-01 | SPARKPLUG | | 1 | |
| 5 | 504 11 96-01 | SCREW | | 2 | |
| 6 | 576 81 06-01 | PLATE | 233R, 533RS | 1 | |
| 7 | 504 11 92-01 | SCREW | | 4 | |
| 8 | 521 61 45-01 | COVER | | 1 | |
| 9 | 521 61 48-01 | GASKET | | 2 | |
| 10 | 521 61 47-01 | COVER | | 1 | |
| 11 | 521 75 54-01 | RING | | 2 | |
| 12 | 504 12 09-01 | SNAP RING | | 2 | |
| 13 | 504 12 06-01 | PISTON PIN | | 1 | |
| 14 | 504 12 02-01 | WASHER | | 2 | |
| 15 | 504 12 01-01 | BEARING | | 1 | |
| 16 | 528 07 38-01 | PISTON | | 1 | |
| 6 | 528 06 87-01 | PLATE,CYLINDER | 233RJ | 1 | |



FUEL TANK

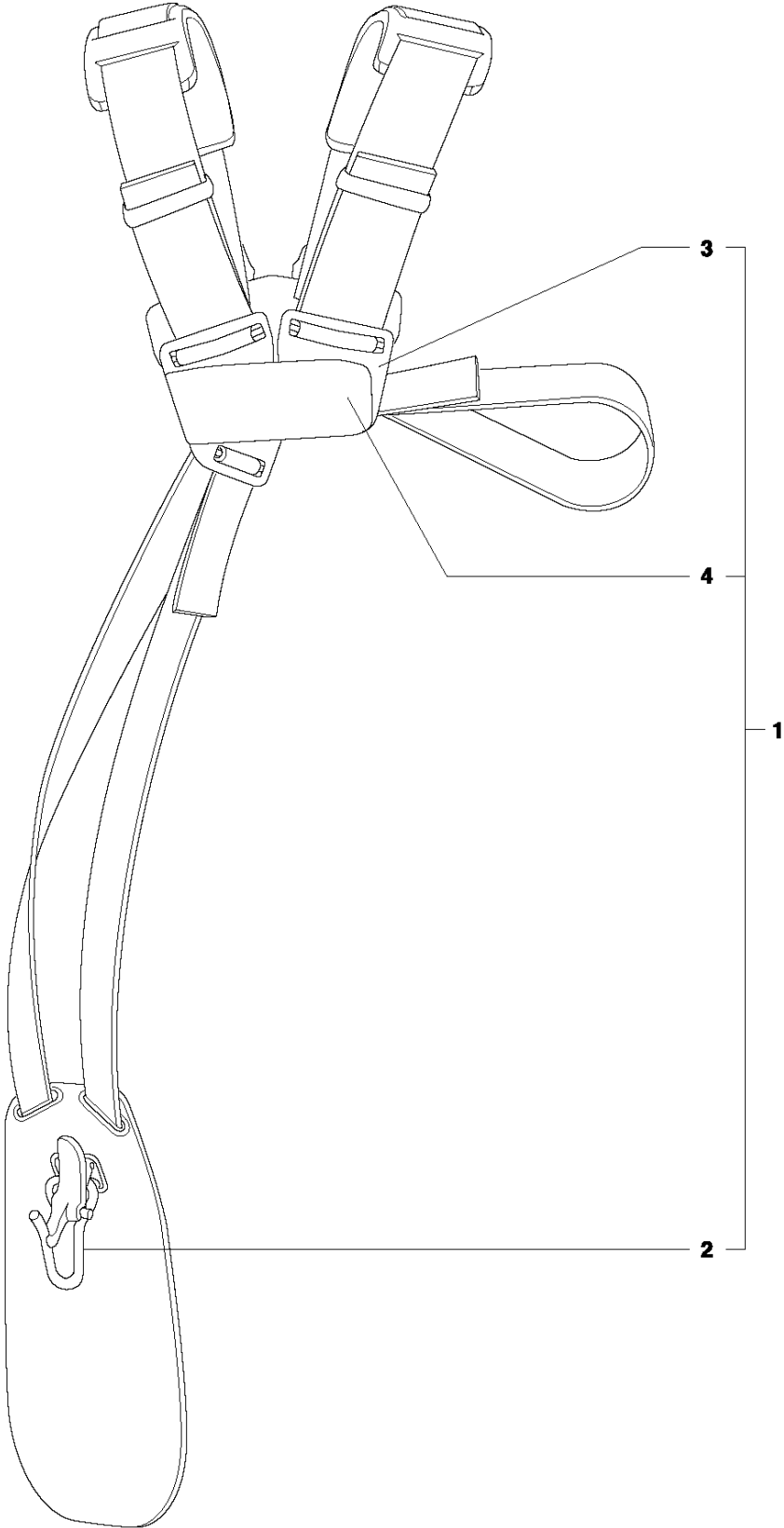
533 RS, 2011-07

| Ref | Part no. | Description | Remark | Qty | Kit |
|-----|--------------|-------------|--------|-----|-----|
| 1 | 528 07 12-01 | TANK-A | | 1 | |
| 2 | 505 30 96-01 | CAP-A | | 1 | 1 |
| 3 | 506 74 68-01 | FILTER | | 1 | 1,2 |
| 4 | 515 36 94-01 | HOLDER-A | | 1 | 1,2 |
| 5 | 506 74 43-01 | PACKING | | 1 | 1,2 |
| 6 | 506 74 58-01 | STOPPER | | 1 | 1,2 |
| 7 | 521 61 66-01 | PIPE-COMP | | 1 | 1 |
| 8 | 506 70 70-01 | CLIP | | 1 | 1 |
| 9 | 506 61 46-01 | FILTER | | 1 | 1 |
| 10 | 528 06 97-01 | GUARD,TANK | | 1 | |
| 11 | 512 84 56-01 | BOLT | | 3 | |
| 12 | 506 74 15-01 | CLIP | | 1 | |

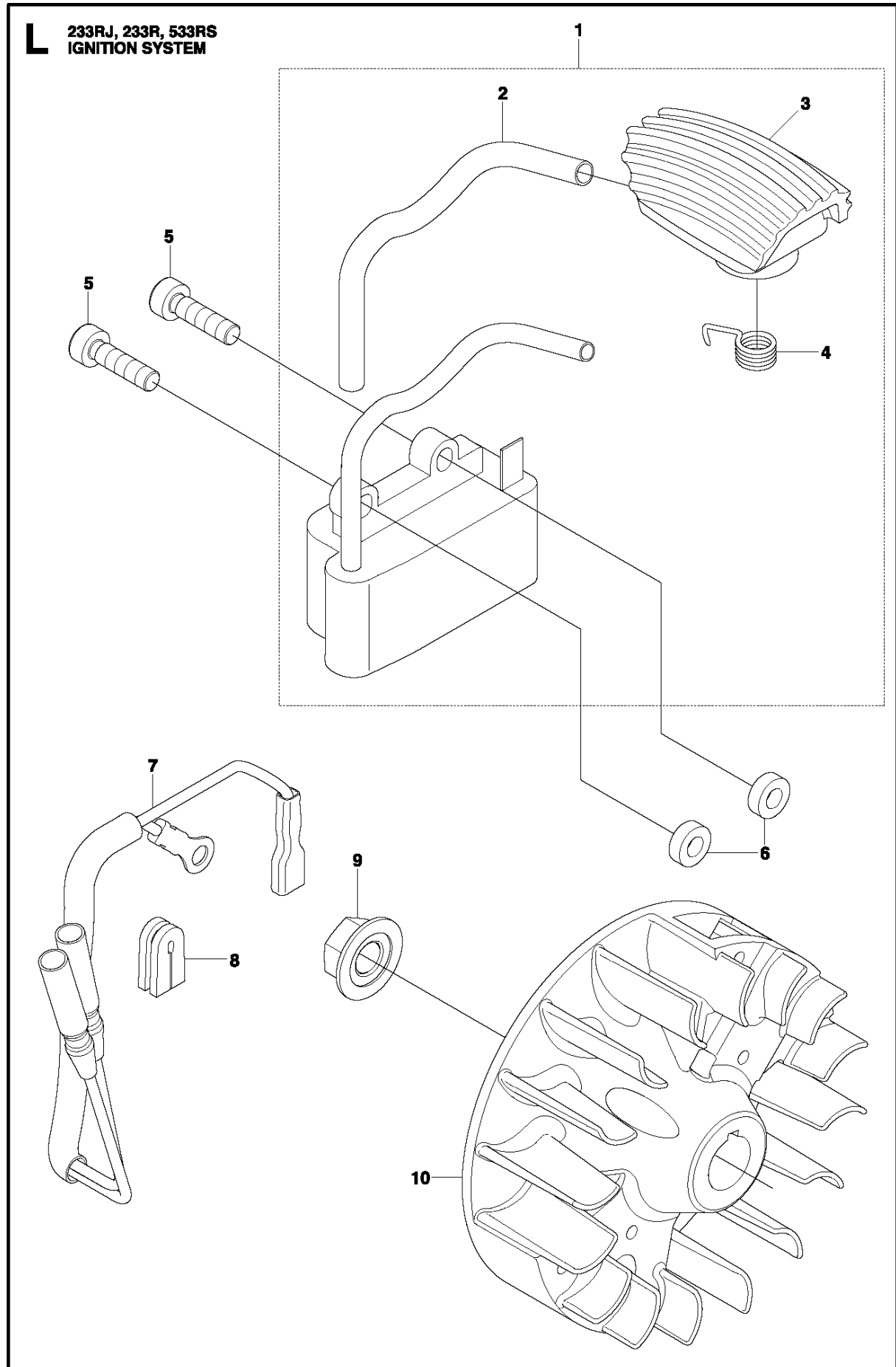


| Ref | Part no. | Description | Remark | Qty | Kit |
|-----|--------------|--------------|--------|-----|-----|
| 1 | 521 65 32-01 | BRACKET-ASSY | | 1 | |
| 2 | 528 81 75-01 | HANDLE(L) | | 1 | |
| 4 | 528 81 74-01 | HANDLE(R) | | 1 | |
| 5 | 521 53 87-01 | PROTECTOR | | 1 | |
| 6 | 575 96 06-01 | NUT | | 1 | |
| 7 | 537 17 28-02 | HANDLE | | 1 | |
| 8 | 510 90 94-01 | BOLT | | 1 | |
| 9 | 537 17 29-01 | COVER | | 1 | |
| 10 | 514 39 55-01 | BRACKET | | 1 | 1 |
| 11 | 514 39 56-01 | CAP-L | | 1 | 1 |
| 12 | 505 29 49-01 | CAP-U | | 1 | 1 |
| 13 | 504 11 43-01 | SCREW | | 2 | 1 |
| 14 | 512 84 57-01 | BOLT TORX | | 4 | 1 |

S 233R, 533RS
HARNESS



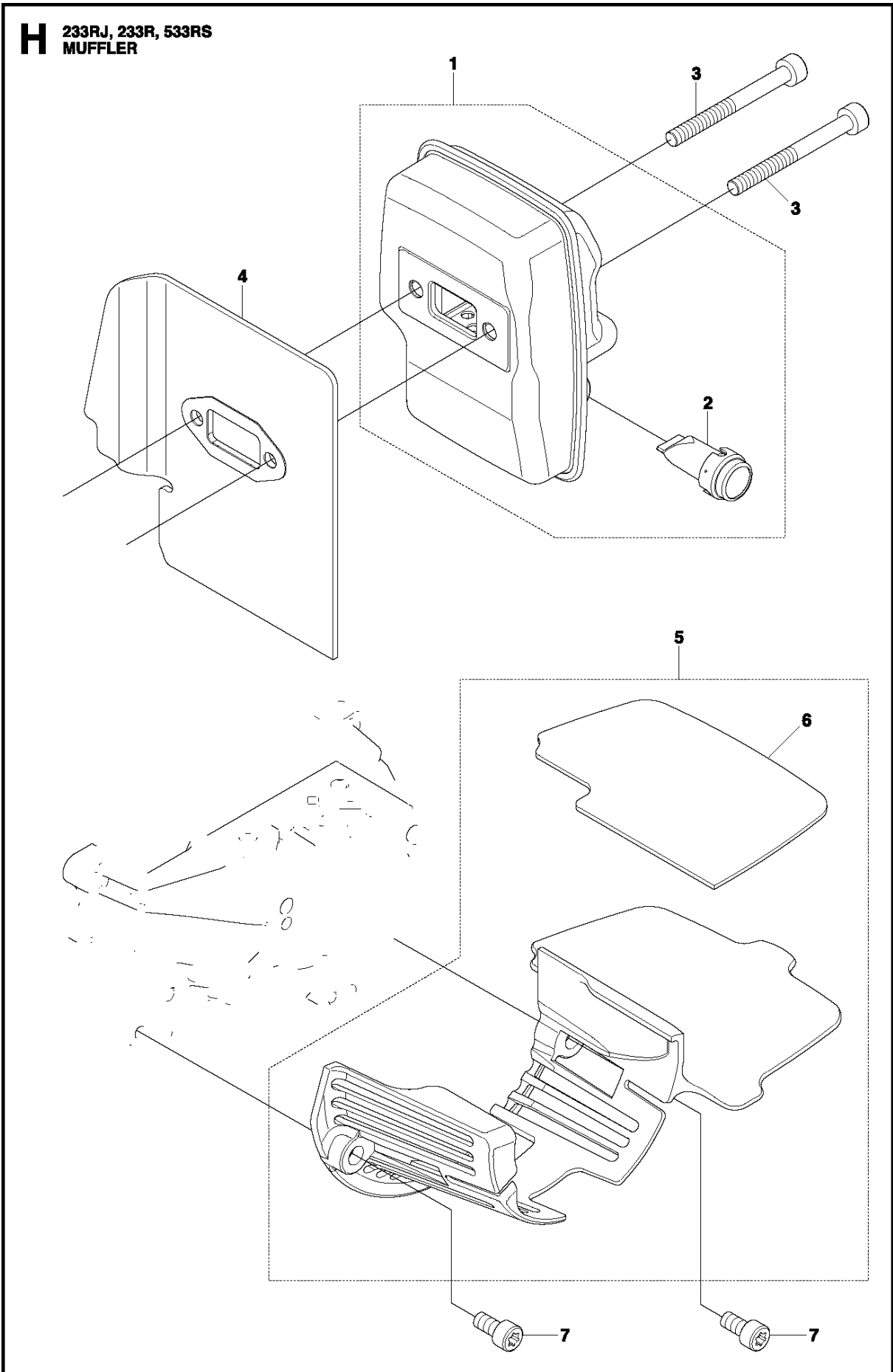
| Ref | Part no. | Description | Remark | Qty | Kit |
|-----|--------------|-------------|--------|-----|-----|
| 1 | 537 21 63-01 | HARNES | | 1 | |
| 2 | 502 02 28-02 | WELT HOOK | | 1 | 1 |
| 3 | 503 73 40-01 | FRONT PIECE | | 1 | 1 |
| 4 | 503 73 41-02 | FRONT PIECE | | 1 | 1 |



IGNITION SYSTEM

533 RS, 2011-07

| Ref | Part no. | Description | Remark | Qty | Kit |
|-----|--------------|-------------|-------------|-----|-----|
| 1 | 574 62 53-01 | COIL | 233R, 533RS | 1 | |
| 1 | 512 33 20-01 | COIL-A | 233RJ | 1 | |
| 2 | 506 61 82-01 | TUBE | 233R, 533RS | 1 | |
| 2 | 513 76 47-01 | TUBE | 233RJ | 1 | |
| 3 | 521 61 00-01 | HUB CAP | | 1 | 1 |
| 4 | 506 65 52-01 | SPRING | 233R, 533RS | 1 | |
| 4 | 521 73 95-01 | SPRING | 233RJ | 1 | |
| 5 | 506 74 57-01 | BOLT | | 2 | |
| 6 | 504 11 86-01 | SPACER | | 2 | |
| 7 | 512 32 86-01 | CORD-COMP | | 1 | |
| 8 | 506 61 59-01 | GROMMET | | 1 | |
| 9 | 504 11 80-01 | NUT | | 1 | |
| 10 | 521 76 93-01 | ROTOR | | 1 | |

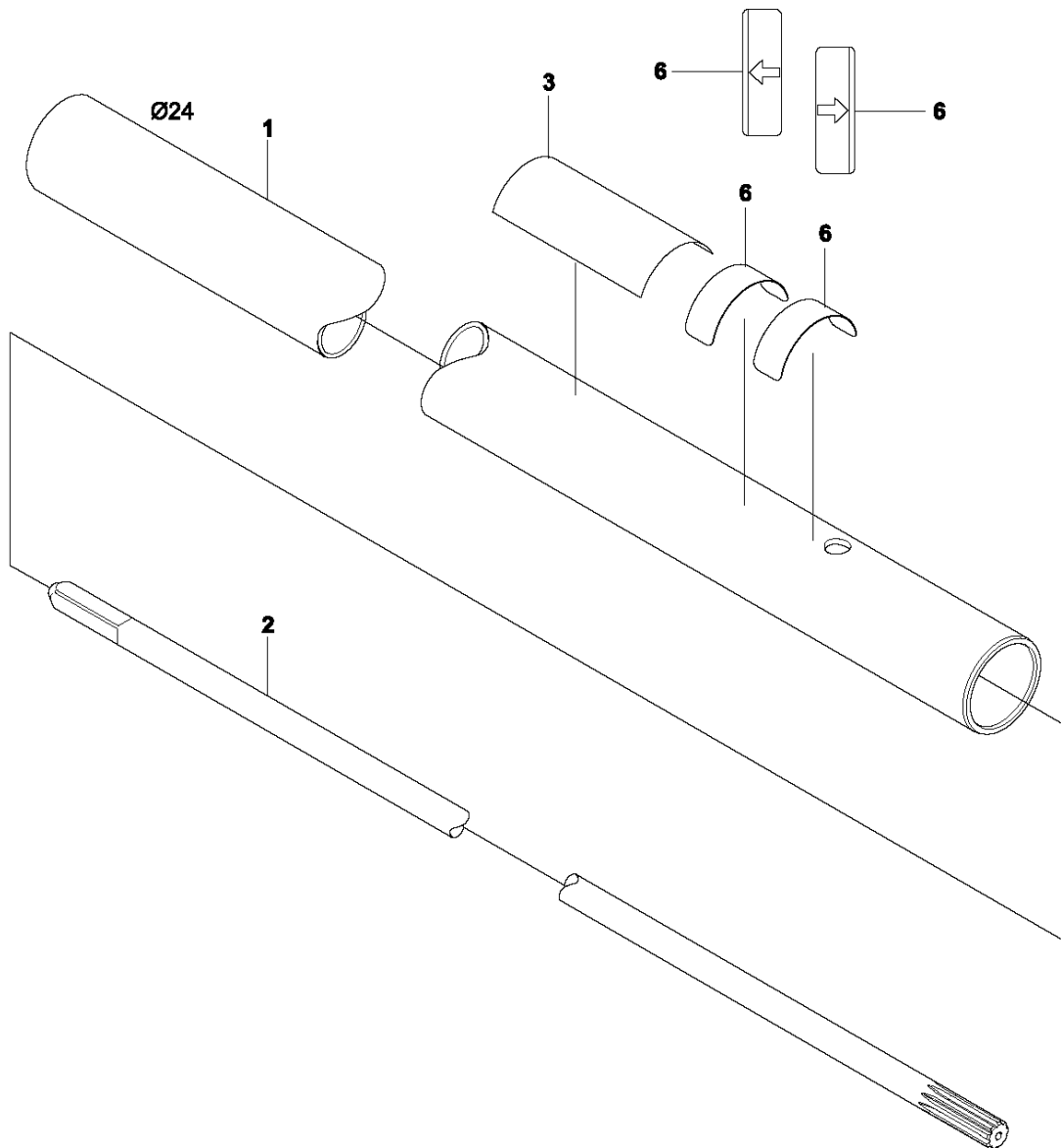
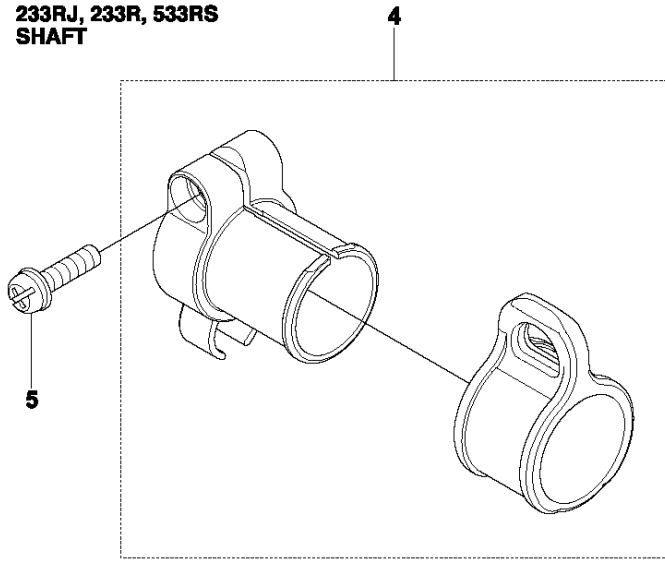


MUFFLER

533 RS, 2011-07

| Ref | Part no. | Description | Remark | Qty | Kit |
|-----|--------------|-------------|--------------------|-----|-----|
| 1 | 575 58 42-01 | MUFFLER | 233RJ AUS | 1 | |
| 1 | 511 38 68-01 | MUFFLER | 233RJ, 233R, 533RS | 1 | |
| 2 | 506 61 56-01 | ARRESTER | 233RJ AUS | 1 | 1 |
| 3 | 504 11 65-01 | SCREW | | 2 | |
| 4 | 528 07 03-01 | GASKET | | 1 | |
| 5 | 521 61 52-01 | PLATE | | 1 | |
| 6 | 521 61 54-01 | SHEET | | 2 | 5 |
| 7 | 504 11 96-01 | SCREW | | 2 | |

B 233RJ, 233R, 533RS
SHAFT

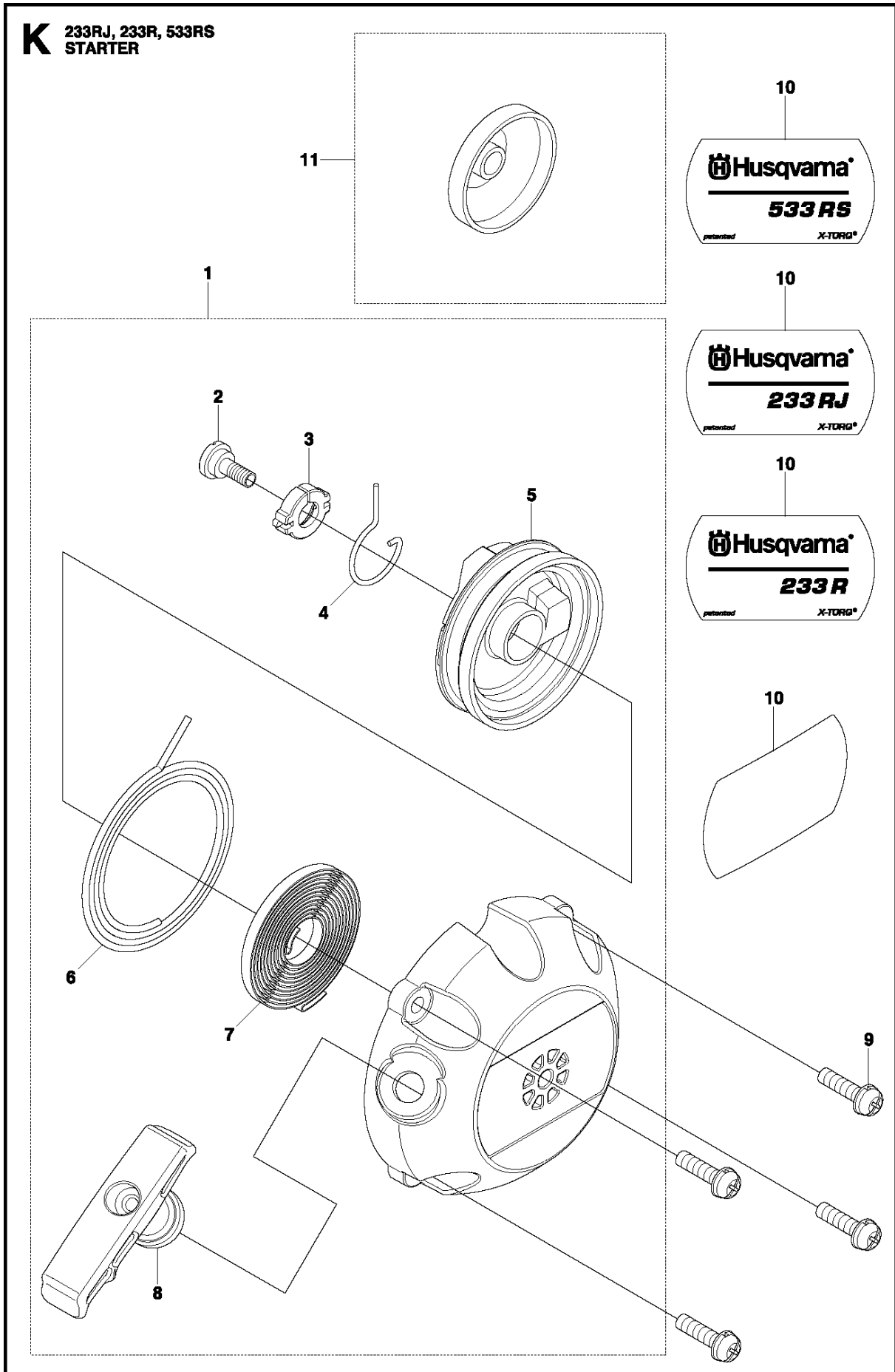


SHAFT

533 RS, 2011-07

| Ref | Part no. | Description | Remark | Qty | Kit |
|-----|--------------|---------------|-------------|-----|-----|
| 1 | 528 84 20-01 | PIPE-COMP | | 1 | |
| 2 | 528 84 19-01 | SHAFT | | 1 | |
| 3 | 510 96 31-01 | LABEL.CAUTION | | 1 | |
| 4 | 521 82 21-01 | HANGER-COMP | | 1 | |
| 5 | 521 51 53-01 | SCREW | 233R, 533RS | 1 | |
| 6 | 505 29 58-01 | LABEL | | 2 | |
| 5 | 510 48 23-01 | SCREW | 233RJ | 1 | |

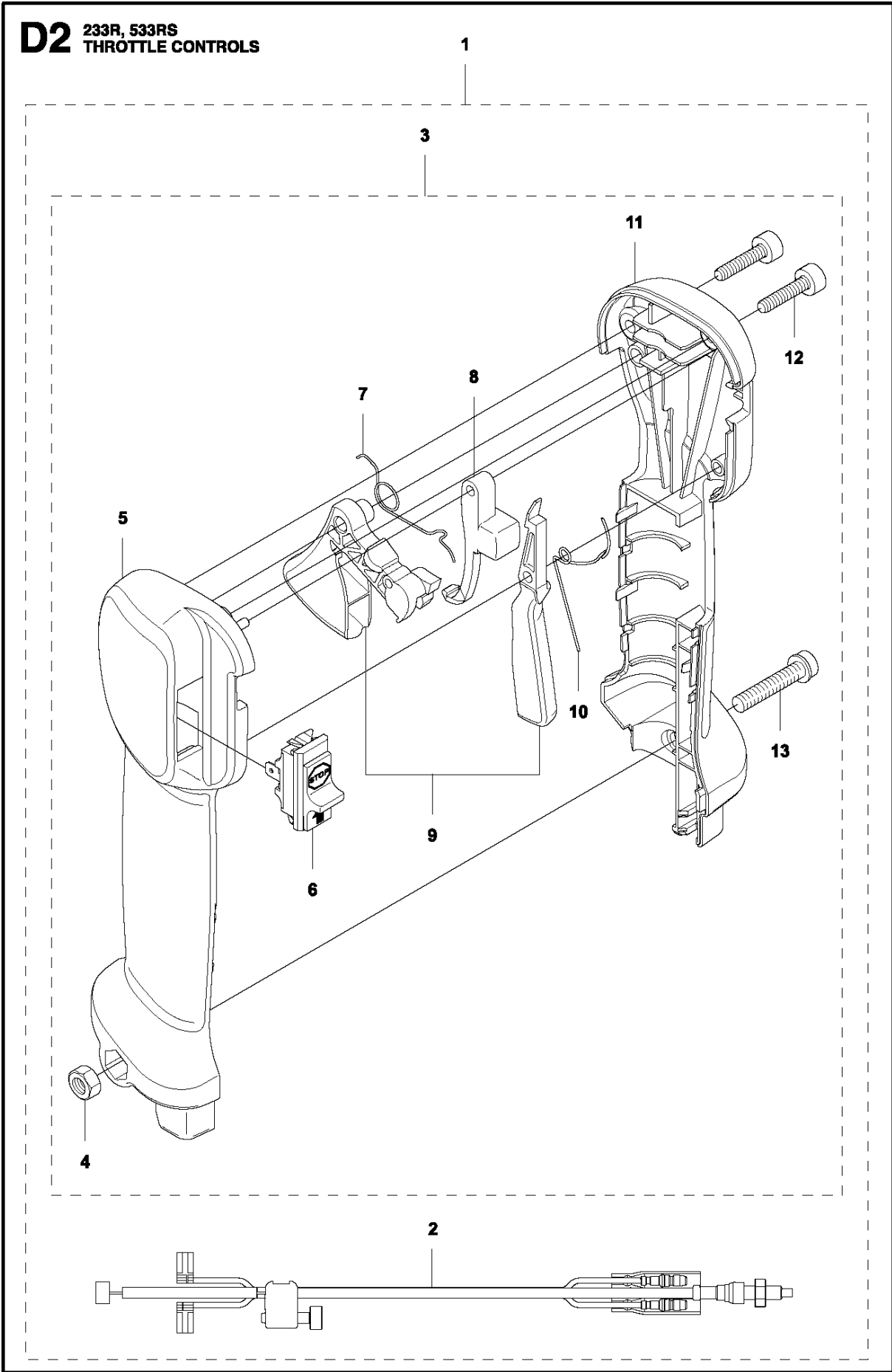
K 233RJ, 233R, 533RS
STARTER



STARTER

533 RS, 2011-07

| Ref | Part no. | Description | Remark | Qty | Kit |
|-----|--------------|---------------|--------|-----|-----|
| 1 | 528 06 90-01 | RECOIL-A | | 1 | |
| 2 | 515 36 71-01 | SCREW | | 1 | 1 |
| 3 | 504 11 46-01 | COLLAR | | 1 | 1 |
| 4 | 504 11 48-01 | ARM | | 1 | 1 |
| 5 | 504 11 47-01 | REEL | | 1 | 1 |
| 6 | 504 11 49-01 | ROPE | | 1 | 1 |
| 7 | 504 11 50-01 | SPRING.SPIRAL | | 1 | 1 |
| 8 | 521 61 79-01 | KNOB | | 1 | 1 |
| 9 | 506 74 56-01 | BOLT | | 4 | |
| 10 | 578 42 08-01 | DECAL | 533RS | 1 | |
| 10 | 528 06 98-01 | LABEL,RECOIL | 233RJ | 1 | |
| 11 | 504 11 44-01 | PULLEY | | 1 | |
| 10 | 577 97 03-01 | DECAL | 233R | 1 | |



THROTTLE CONTROLS

533 RS, 2011-07

| Ref | Part no. | Description | Remark | Qty | Kit |
|-----|--------------|----------------------|--------|-----|-----|
| 1 | 522 52 07-01 | THROTTLE CONTROL | | 1 | |
| 2 | 522 03 66-01 | THROTTLE CABLE ASSY | | 1 | 1 |
| 3 | 537 42 45-13 | HANDLE SYSTEM ASSY | | 1 | 1 |
| 4 | 503 22 10-13 | HEXAGON NUT | | 1 | 1,3 |
| 5 | 537 16 02-03 | HANDLE HALF LEFT | | 1 | 1,3 |
| 6 | 503 71 82-01 | SWITCH | | 1 | 1,3 |
| 7 | 537 17 42-01 | SPRING THROTTLE TRIG | | 1 | 1,3 |
| 8 | 537 16 07-03 | STARTER THROTTLE LOC | | 1 | 1,3 |
| 9 | 506 49 77-01 | THROTTLE CONTROL | | 1 | 1,3 |
| 10 | 537 17 43-01 | SPRING | | 1 | 1,3 |
| 11 | 537 16 03-01 | HANDLE HALF RIGHT | | 1 | 1,3 |
| 12 | 503 21 66-74 | SCREW IHSCCT | | 2 | 1,3 |
| 13 | 503 20 07-82 | SCREW IHSCFM | | 1 | 1,3 |